

EVALUATION KIT  
AVAILABLE**MAXIM****58.6kps, 16-Bit,  
2-Wire Serial ADC in a 14-Pin TSSOP****MAX1169****General Description**

The MAX1169 is a low-power, 16-bit successive-approximation analog-to-digital converter (ADC). The device features automatic power-down, an on-chip 4MHz clock, a +4.096V internal reference, and an I<sup>2</sup>C-compatible 2-wire serial interface capable of both fast and high-speed modes.

The MAX1169 operates from a single supply and consumes 5mW at the maximum conversion rate of 58.6kps. AutoShutdown™ powers down the device between conversions, reducing supply current to less than 50μA at a 1kps throughput rate. The option of a separate digital supply voltage allows direct interfacing with +2.7V to +5.5V digital logic.

The MAX1169 performs a unipolar conversion on its single analog input using its internal 4MHz clock. The full-scale analog input range is determined by the internal reference or by an externally applied reference voltage ranging from 1V to V<sub>AVDD</sub>.

The four address select inputs (ADD0 to ADD3) allow up to 16 MAX1169 devices on the same bus.

The MAX1169 is packaged in a 14-pin TSSOP and operates over an extended temperature range. Refer to the MAX1069 data sheet for a 14-bit device in a pin-compatible package.

**Applications**

Hand-Held Portable Applications  
Medical Instruments  
Battery-Powered Test Equipment  
Solar-Powered Remote Systems  
Received-Signal-Strength Indicators  
System Supervision

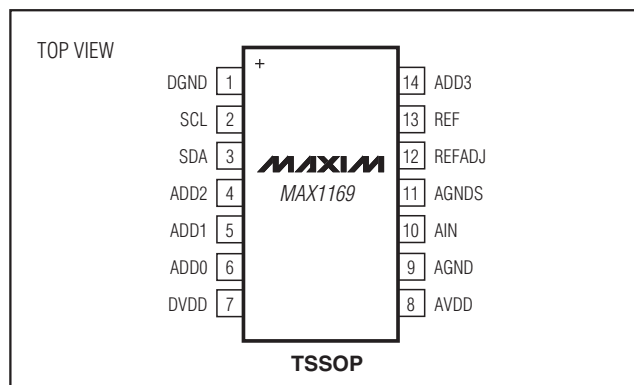
**Features**

- ◆ High-Speed I<sup>2</sup>C-Compatible Serial Interface
  - 400kHz Fast Mode
  - 1.7MHz High-Speed Mode
- ◆ +4.75V to +5.25V Single Supply
- ◆ +2.7V to +5.5V Adjustable Logic Level
- ◆ Internal +4.096V Reference
- ◆ External Reference: 1V to V<sub>AVDD</sub>
- ◆ Internal 4MHz Conversion Clock
- ◆ 58.6kps Sampling Rate
- ◆ AutoShutdown Between Conversions
- ◆ Low Power
  - 5.0mW at 58.6kps
  - 4.2mW at 50kps
  - 2.0mW at 10kps
  - 0.23mW at 1kps
  - 3μW in Shutdown
- ◆ Small 14-Pin TSSOP Package

**Ordering Information**

PART	TEMP RANGE	PIN-PACKAGE	INL (LSB)
MAX1169BEUD+	-40°C to +85°C	14 TSSOP	±2

+Denotes a lead(Pb)-free/RoHS-compliant package.

**Pin Configuration**

AutoShutdown is a trademark of Maxim Integrated Products, Inc.

**MAXIM**

Maxim Integrated Products 1

For pricing, delivery, and ordering information, please contact Maxim Direct at 1-888-629-4642, or visit Maxim's website at [www.maxim-ic.com](http://www.maxim-ic.com).

# 58.6ksp/s, 16-Bit, 2-Wire Serial ADC in a 14-Pin TSSOP

## ABSOLUTE MAXIMUM RATINGS

AVDD to AGND	-0.3V to +6V
DVDD to DGND	-0.3V to +6V
AGND to DGND	-0.3V to +0.3V
AGNDS to AGND	-0.3V to +0.3V
AIN, REF, REFADJ to AGND	-0.3V to (V <sub>AVDD</sub> + 0.3V)
SCL, SDA, ADD_ to DGND	-0.3V to +6V
Maximum Current into Any Pin	50mA

Continuous Power Dissipation (T <sub>A</sub> = +85°C)	
14-Pin TSSOP (derate 9.1mW/°C above +85°C)	864mW
Operating Temperature Ranges	
MAX1169_EUD	-40°C to +85°C
Storage Temperature Range	-65°C to +150°C
Junction Temperature	+150°C
Lead Temperature (soldering, 10s)	+300°C
Soldering Temperature (reflow)	+260°C

Stresses beyond those listed under "Absolute Maximum Ratings" may cause permanent damage to the device. These are stress ratings only, and functional operation of the device at these or any other conditions beyond those indicated in the operational sections of the specifications is not implied. Exposure to absolute maximum rating conditions for extended periods may affect device reliability.

## ELECTRICAL CHARACTERISTICS

(V<sub>AVDD</sub> = +4.75V to +5.25V, V<sub>DVDD</sub> = +2.7V to +5.5V, f<sub>SCL</sub> = 1.7MHz (33% duty cycle), f<sub>SAMPLE</sub> = 58.6ksp/s, V<sub>REF</sub> = +4.096V, external reference applied to REF, REFADJ = AVDD, C<sub>REF</sub> = 10μF, T<sub>A</sub> = T<sub>MIN</sub> to T<sub>MAX</sub>, unless otherwise noted. Typical values are at T<sub>A</sub> = +25°C.)

PARAMETER	SYMBOL	CONDITIONS	MIN	TYP	MAX	UNITS
<b>DC ACCURACY</b> (Note 1)						
Resolution			16			Bits
Relative Accuracy (Note 2)	INL	MAX1169B			±2	LSB
Differential Nonlinearity	DNL	MAX1169B, no missing codes	16-bit NMC	0.7	1.7	LSB
Offset Error				2	5	mV
Offset-Error Temperature Coefficient				1.0		ppm/°C
Gain Error		(Note 3)		±0.25	±0.5	%FSR
Gain Temperature Coefficient				0.1		ppm/°C
<b>DYNAMIC PERFORMANCE</b> (f <sub>IN(sine wave)</sub> = 1kHz, V <sub>IN</sub> = V <sub>REF(P-P)</sub> , f <sub>SAMPLE</sub> = 58.6ksp/s)						
Signal-to-Noise Plus Distortion	SINAD		86	90		dB
Total Harmonic Distortion	THD	Up to the 5th harmonic		-102	-90	dB
Spurious-Free Dynamic Range	SFDR		92	105		dB
Signal-to-Noise Ratio	SNR		87	90		dB
Full-Power Bandwidth	FPBW	-3dB point		4		MHz
Full-Linear Bandwidth		SINAD > 81dB		33		kHz
<b>CONVERSION RATE</b> (Figure 11)						
Conversion Time (SCL Stretched Low)	t <sub>CONV</sub>	Fast mode		7.1	7.5	μs
		High-speed mode		5.8	6	
Throughput Rate (Note 4)	f <sub>SAMPLE</sub>	Fast mode			19	ksp/s
		High-speed mode			58.6	
Internal Clock Frequency	f <sub>CLK</sub>			4		MHz
Track/Hold Acquisition Time	t <sub>ACQ</sub>	(Note 5)	1100			ns
Aperture Delay, Figure 11c (Note 6)	t <sub>AD</sub>	Fast mode		50		ns
		High-speed mode		30		

# 58.6ksps, 16-Bit, 2-Wire Serial ADC in a 14-Pin TSSOP

MAX1169

## ELECTRICAL CHARACTERISTICS (continued)

( $V_{AVDD} = +4.75V$  to  $+5.25V$ ,  $V_{DVDD} = +2.7V$  to  $+5.5V$ ,  $f_{SCL} = 1.7MHz$  (33% duty cycle),  $f_{SAMPLE} = 58.6ksps$ ,  $V_{REF} = +4.096V$ , external reference applied to REF, REFADJ = AVDD,  $C_{REF} = 10\mu F$ ,  $T_A = T_{MIN}$  to  $T_{MAX}$ , unless otherwise noted. Typical values are at  $T_A = +25^\circ C$ .)

PARAMETER	SYMBOL	CONDITIONS	MIN	TYP	MAX	UNITS
Aperture Jitter, Figure 11c	$t_{AJ}$	Fast mode		100		ps
		High-speed mode		100		
<b>ANALOG INPUT (AIN)</b>						
Input Voltage Range	$V_{AIN}$		0		$V_{REF}$	V
Input Leakage Current		On/off-leakage current, $V_{AIN} = 0V$ or $V_{AVDD}$ , no clock, $f_{SCL} = 0$		$\pm 0.01$	$\pm 10$	$\mu A$
Input Capacitance	$C_{IN}$			35		pF
<b>INTERNAL REFERENCE (bypass REFADJ with 0.1<math>\mu F</math> to AGND and REF with 10<math>\mu F</math> to AGND)</b>						
REF Output Voltage	$V_{REF}$		4.056	4.096	4.136	V
Reference Temperature Coefficient	$TC_{REF}$	$T_A = -40^\circ C$ to $+85^\circ C$		$\pm 35$		ppm/ $^\circ C$
Reference Short-Circuit Current	$I_{REFSC}$			10		mA
REFADJ Output Voltage			4.056	4.096	4.136	V
REFADJ Input Range		For small adjustments, from 4.096V		$\pm 60$		mV
<b>EXTERNAL REFERENCE (REFADJ = AVDD)</b>						
REFADJ Buffer Disable Voltage		Pull REFADJ high to disable the internal bandgap reference and reference buffer	$V_{AVDD} - 0.1$			V
REFADJ Buffer Enable Voltage					$V_{AVDD} - 0.4$	V
Reference Input Voltage Range		(Note 7)	1.0		$V_{AVDD}$	V
REF Input Current	$I_{REF}$	$V_{REF} = +4.096V$ , $V_{IN} = V_{REF(P-P)}$ , $f_{IN}(\text{sine wave}) = 1kHz$ , $f_{SAMPLE} = 58.6ksps$		27		$\mu A$
		$V_{REF} = +4.096V$ , shutdown		0.1		
<b>DIGITAL INPUTS/OUTPUTS (SCL, SDA)</b>						
Input High Voltage	$V_{IH}$		$0.7 \times V_{DVDD}$			V
Input Low Voltage	$V_{IL}$				$0.3 \times V_{DVDD}$	V
Input Hysteresis	$V_{HYST}$			$0.1 \times V_{DVDD}$		V
Input Current	$I_{IN}$				$\pm 10$	$\mu A$
Input Capacitance	$C_{IN}$			15		pF
Output Low Voltage	$V_{OL}$	$I_{SINK} = 3mA$			0.4	V
<b>ADDRESS SELECT INPUTS (ADD3, ADD2, ADD1, ADD0)</b>						
Input High Voltage			$0.7 \times V_{DVDD}$			V
Input Low Voltage					$0.3 \times V_{DVDD}$	V
Input Hysteresis				$0.1 \times V_{DVDD}$		V

# 58.6ksp/s, 16-Bit, 2-Wire Serial ADC in a 14-Pin TSSOP

## ELECTRICAL CHARACTERISTICS (continued)

( $V_{AVDD} = +4.75V$  to  $+5.25V$ ,  $V_{DVDD} = +2.7V$  to  $+5.5V$ ,  $f_{SCL} = 1.7MHz$  (33% duty cycle),  $f_{SAMPLE} = 58.6ksp/s$ ,  $V_{REF} = +4.096V$ , external reference applied to REF, REFADJ = AVDD,  $C_{REF} = 10\mu F$ ,  $T_A = T_{MIN}$  to  $T_{MAX}$ , unless otherwise noted. Typical values are at  $T_A = +25^\circ C$ .)

PARAMETER	SYMBOL	CONDITIONS	MIN	TYP	MAX	UNITS
Input Current					±10	μA
Input Capacitance				15		pf
<b>POWER REQUIREMENTS (AVDD, AGND, DVDD, DGND)</b>						
Analog Supply Voltage	AVDD		4.75		5.25	V
Digital Supply Voltage	DVDD		2.7		5.5	V
Analog Supply Current	$I_{AVDD}$	Internal reference (powered down between conversions, $R/\bar{W} = 0$ )	$f_{SAMPLE} = 58.6ksp/s$	1.8	2.5	mA
			$f_{SAMPLE} = 10ksp/s$	0.7		
			$f_{SAMPLE} = 1ksp/s$	40		μA
			Shutdown	0.4	5	
		Internal reference (always on, $R/\bar{W} = 1$ )	$f_{SAMPLE} = 58.6ksp/s$	1.8	2.5	mA
			$f_{SAMPLE} = 10ksp/s$	1.4		
			$f_{SAMPLE} = 1ksp/s$	1.1		μA
			Shutdown	0.4	5	
		External reference (REFADJ = AVDD)	$f_{SAMPLE} = 58.6ksp/s$	0.90	1.8	mA
			$f_{SAMPLE} = 10ksp/s$	0.36		
			$f_{SAMPLE} = 1ksp/s$	40		μA
			Shutdown	0.4	5	
Digital Supply Current	$I_{DVDD}$	$f_{SAMPLE} = 58.6ksp/s$	260	400	μA	
		$f_{SAMPLE} = 10ksp/s$	65			
		$f_{SAMPLE} = 1ksp/s$	6			
		Shutdown	0.2	5		
Power-Supply Rejection Ratio	PSRR	$V_{AVDD} = 5V \pm 5\%$ , full-scale input (Note 8)		5	16	LSB/V
<b>TIMING CHARACTERISTICS FOR 2-WIRE FAST MODE (Figure 1a and Figure 2)</b>						
Serial Clock Frequency	$f_{SCL}$				400	kHz
Bus Free Time Between a STOP and a START Condition	$t_{BUF}$		1.3			μs
Hold Time for Start Condition	$t_{HD, STA}$		0.6			μs
Low Period of the SCL Clock	$t_{LOW}$		1.3			μs
High Period of the SCL Clock	$t_{HIGH}$		0.6			μs
Setup Time for a Repeated START Condition ( $S_r$ )	$t_{SU, STA}$		0.6			μs
Data Hold Time	$t_{HD, DAT}$	(Note 9)	0		900	ns
Data Setup Time	$t_{SU, DAT}$		100			ns
Rise Time of Both SDA and SCL Signals, Receiving	$t_R$	(Note 10)	$20 + 0.1C_B$		300	ns
Fall Time of SDA Transmitting	$t_F$	(Note 10)	$20 + 0.1C_B$		300	ns
Setup Time for STOP Condition	$t_{SU, STO}$		0.6			μs
Capacitive Load for Each Bus	$C_B$				400	pF
Pulse Width of Spike Suppressed	$t_{SP}$				50	ns

# 58.6ksps, 16-Bit, 2-Wire Serial ADC in a 14-Pin TSSOP

MAX1169

## ELECTRICAL CHARACTERISTICS (continued)

( $V_{AVDD} = +4.75V$  to  $+5.25V$ ,  $V_{DVDD} = +2.7V$  to  $+5.5V$ ,  $f_{SCL} = 1.7MHz$  (33% duty cycle),  $f_{SAMPLE} = 58.6ksps$ ,  $V_{REF} = +4.096V$ , external reference applied to REF, REFADJ = AVDD,  $C_{REF} = 10\mu F$ ,  $T_A = T_{MIN}$  to  $T_{MAX}$ , unless otherwise noted. Typical values are at  $T_A = +25^\circ C$ .)

PARAMETER	SYMBOL	CONDITIONS	MIN	TYP	MAX	UNITS
<b>TIMING CHARACTERISTICS FOR 2-WIRE HIGH-SPEED MODE</b> (Figure 1b and Figure 2)						
Serial Clock Frequency	$f_{SCLH}$	(Note 11)			1.7	MHz
Hold Time (Repeated) Start Condition	$t_{HD, STA}$		160			ns
Low Period of the SCL Clock	$t_{LOW}$		320			ns
High Period of the SCL Clock	$t_{HIGH}$		120			ns
Setup Time for a Repeated START Condition	$t_{SU, STA}$		160			ns
Data Hold Time	$t_{HD, DAT}$	(Note 9)	0		150	ns
Data Setup Time	$t_{SU, DAT}$		10			ns
Rise Time of SCL Signal (Current Source Enabled)	$t_{RCL}$	(Note 10)	10		80	ns
Rise Time of SCL Signal After Acknowledge Bit	$t_{RCL1}$	(Note 10)	20		160	ns
Fall Time of SCL Signal	$t_{FCL}$	(Note 10)	20		80	ns
Rise Time of SDA Signal	$t_{RDA}$	(Note 10)	20		160	ns
Fall Time of SDA Signal	$t_{FDA}$	(Note 10)	20		160	ns
Setup Time for STOP Condition	$t_{SU, STO}$		160			ns
Capacitive Load for Each Bus	$C_B$				400	pF
Pulse Width of Spike Suppressed	$t_{SP}$				10	ns

**Note 1:** DC accuracy is tested at  $V_{AVDD} = +5.0V$  and  $V_{DVDD} = +3.0V$ . Performance at power-supply tolerance limits is guaranteed by power-supply rejection test.

**Note 2:** Relative accuracy is the deviation of the analog value at any code from its theoretical value after the full-scale range and offset have been calibrated.

**Note 3:** Offset nullified.

**Note 4:** One sample is achieved every 18 clocks in continuous conversion mode:

$$f_{SAMPLE} = \left( \frac{18 \text{ clocks}}{f_{SCL}} + t_{CONV} \right)^{-1}$$

**Note 5:** The track/hold acquisition time is two SCL cycles as illustrated in Figure 11:

$$t_{ACQ} = 2 \times \left( \frac{1}{f_{SCL}} \right)$$

**Note 6:** A filter on SDA and SCL delays the sampling instant and suppresses noise spikes less than 10ns in high-speed mode and 50ns in fast mode.

**Note 7:** ADC performance is limited by the converter's noise floor, typically 225 $\mu V_{P-P}$ .

**Note 8:**

$$PSRR = \frac{[V_{FS}(5.25V) - V_{FS}(4.75V)] \times \frac{2^N}{V_{REF}}}{5.25V - 4.75V} \quad \text{where N is the number of bits (16).}$$

# 58.6kps, 16-Bit, 2-Wire Serial ADC in a 14-Pin TSSOP

## ELECTRICAL CHARACTERISTICS (continued)

( $V_{AVDD} = +4.75V$  to  $+5.25V$ ,  $V_{DVDD} = +2.7V$  to  $+5.5V$ ,  $f_{SCL} = 1.7MHz$  (33% duty cycle),  $f_{SAMPLE} = 58.6kps$ ,  $V_{REF} = +4.096V$ , external reference applied to REF, REFADJ = AVDD,  $C_{REF} = 10\mu F$ ,  $T_A = T_{MIN}$  to  $T_{MAX}$ , unless otherwise noted. Typical values are at  $T_A = +25^\circ C$ .)

**Note 9:** A master device must provide a data hold time for SDA (referred to  $V_{IL}$  of SCL) in order to bridge the undefined region of SCL's falling edge (see Figure 1).

**Note 10:**  $C_B$  = total capacitance of one bus line in pF.  $t_R$  and  $t_F$  measured between  $0.3 \times V_{DVDD}$  and  $0.7 \times V_{DVDD}$ .

**Note 11:**  $f_{SCL}$  must meet the minimum clock low time plus the rise/fall times.

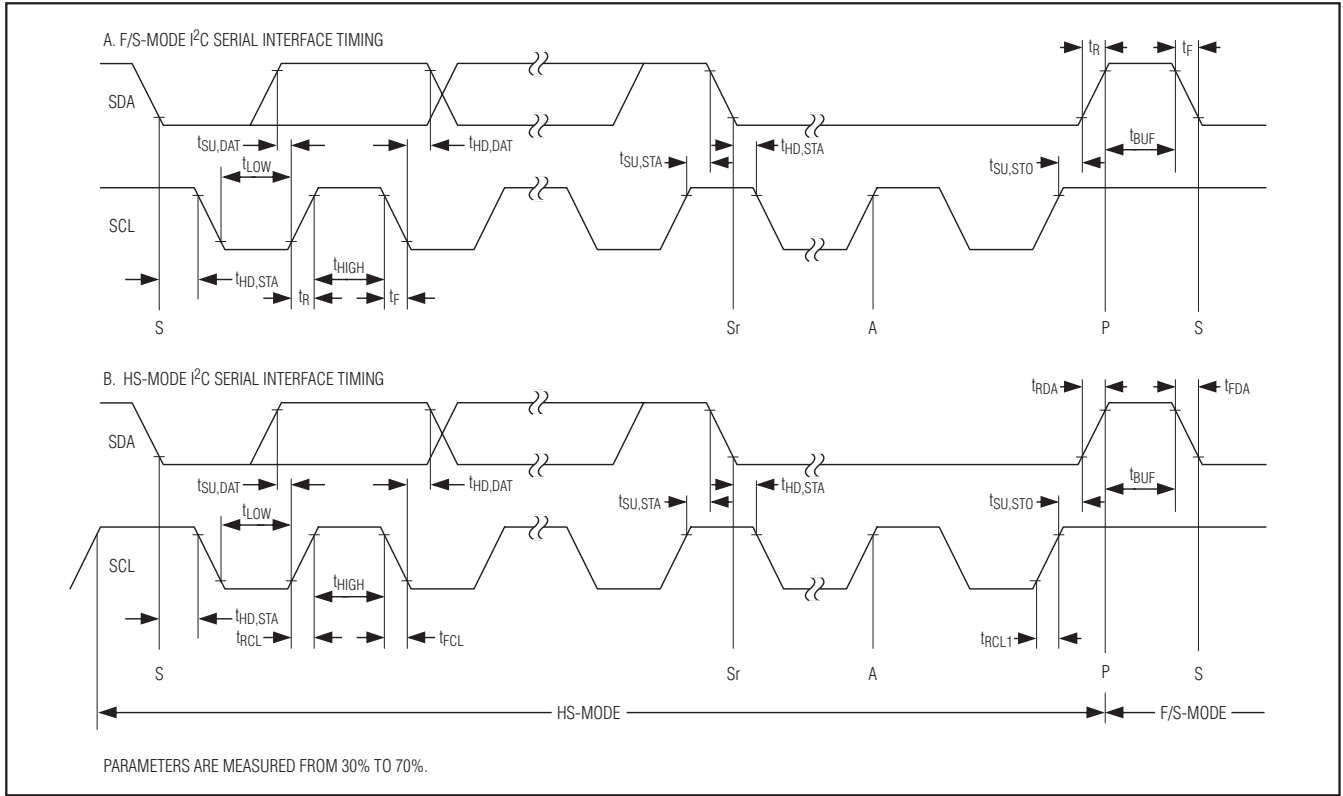


Figure 1. I<sup>2</sup>C Serial Interface Timing

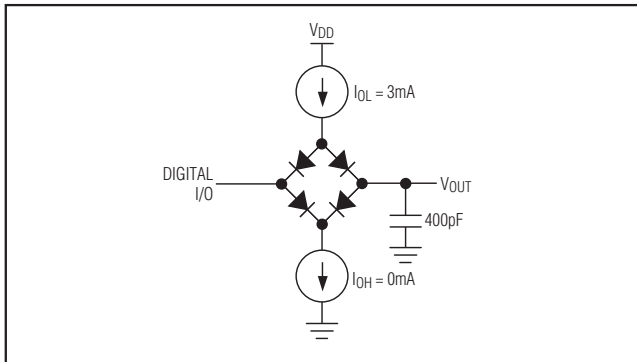


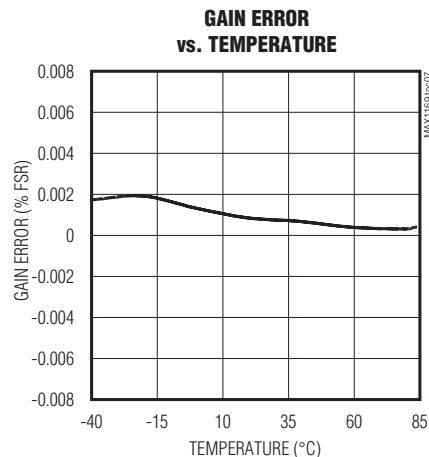
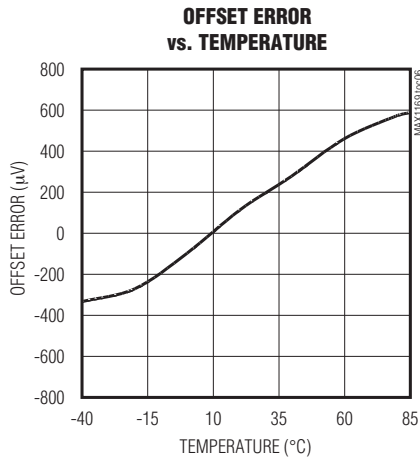
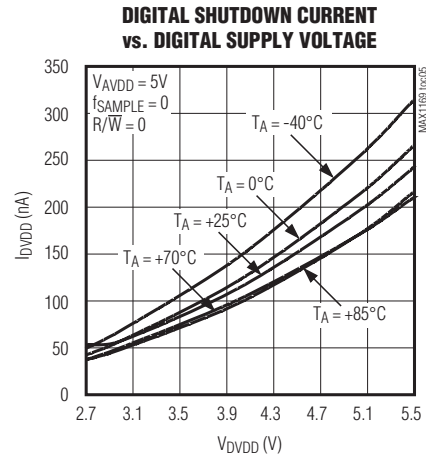
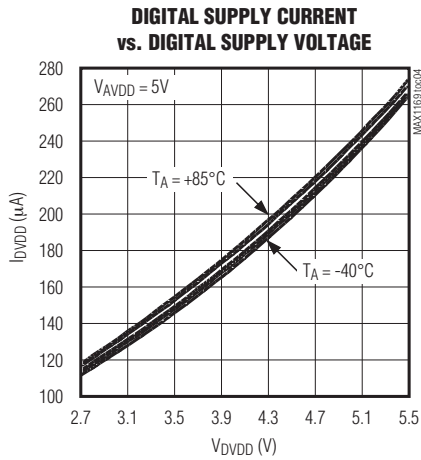
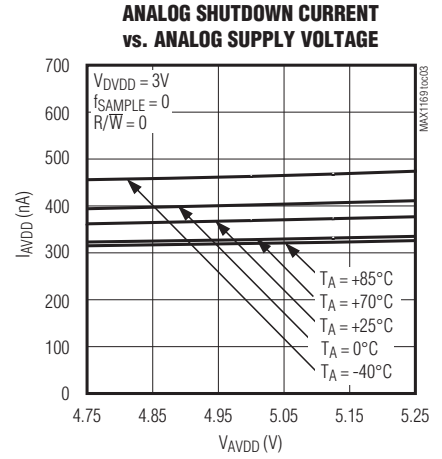
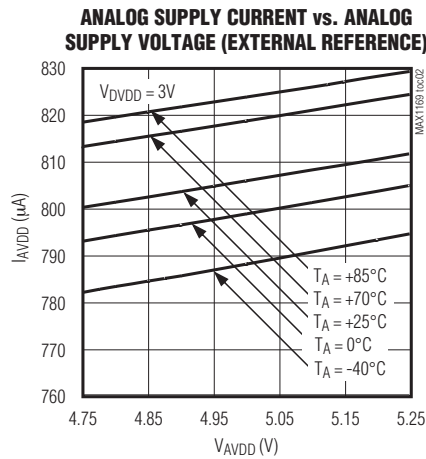
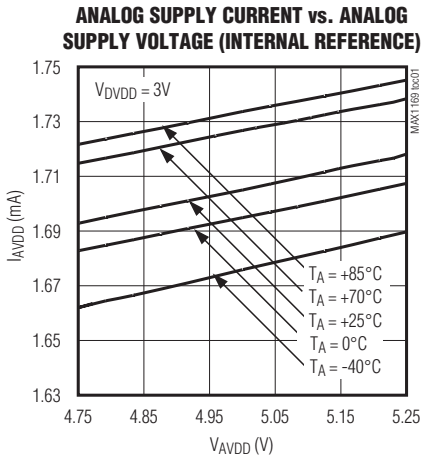
Figure 2. Load Circuit

# 58.6kps, 16-Bit, 2-Wire Serial ADC in a 14-Pin TSSOP

MAX1169

## Typical Operating Characteristics

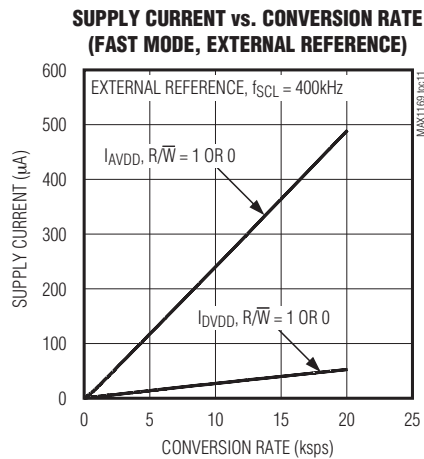
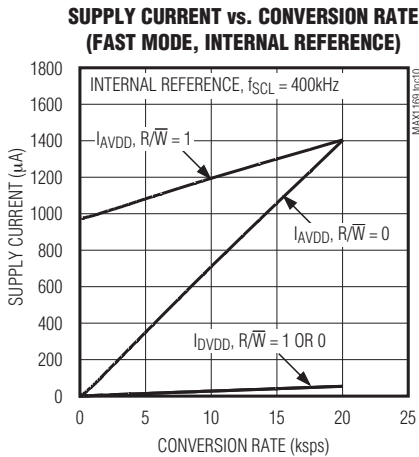
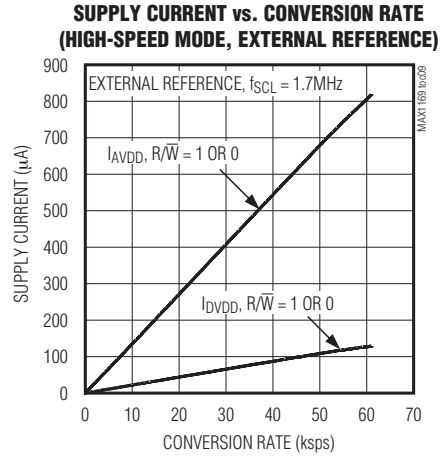
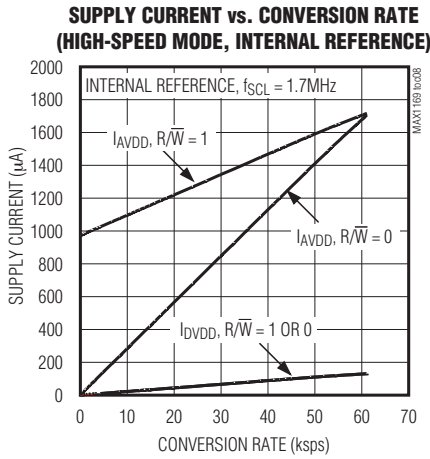
( $V_{DVDD} = +3.0V$ ,  $V_{AVDD} = +5.0V$ ,  $f_{SCL} = 1.7MHz$  (33% duty cycle),  $f_{SAMPLE} = 58.6kps$ ,  $V_{REF} = +4.096V$ , external reference applied to REF, REFADJ = AVDD,  $C_{REF} = 10\mu F$ ,  $T_A = +25^\circ C$ , unless otherwise noted.)



# 58.6kps, 16-Bit, 2-Wire Serial ADC in a 14-Pin TSSOP

## Typical Operating Characteristics (continued)

( $V_{DVDD} = +3.0V$ ,  $V_{AVDD} = +5.0V$ ,  $f_{SCL} = 1.7MHz$  (33% duty cycle),  $f_{SAMPLE} = 58.6kps$ ,  $V_{REF} = +4.096V$ , external reference applied to REF, REFADJ = AVDD,  $C_{REF} = 10\mu F$ ,  $T_A = +25^\circ C$ , unless otherwise noted.)





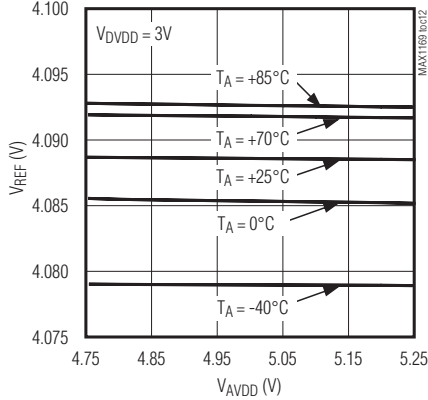
# 58.6ksp/s, 16-Bit, 2-Wire Serial ADC in a 14-Pin TSSOP

MAX1169

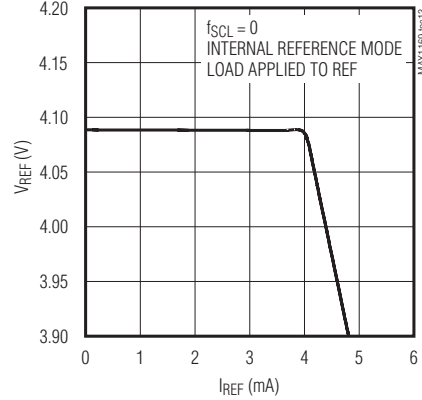
## Typical Operating Characteristics (continued)

( $V_{DVDD} = +3.0V$ ,  $V_{AVDD} = +5.0V$ ,  $f_{SCL} = 1.7MHz$  (33% duty cycle),  $f_{SAMPLE} = 58.6ksp/s$ ,  $V_{REF} = +4.096V$ , external reference applied to REF, REFADJ = AVDD,  $C_{REF} = 10\mu F$ ,  $T_A = +25^\circ C$ , unless otherwise noted.)

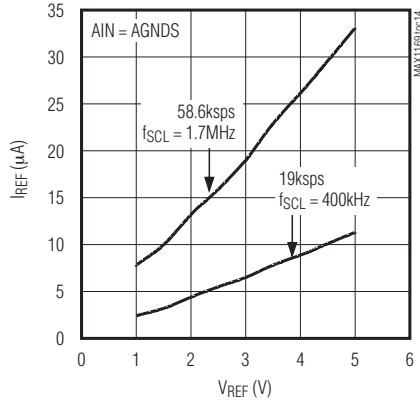
**INTERNAL +4.096V REFERENCE VOLTAGE vs. ANALOG SUPPLY VOLTAGE**



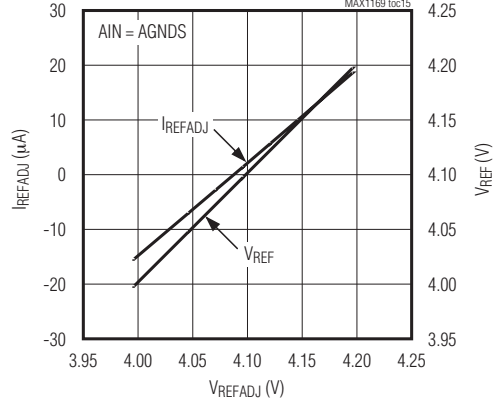
**INTERNAL REFERENCE VOLTAGE vs. REF LOAD**



**EXTERNAL REFERENCE CURRENT vs. EXTERNAL REFERENCE VOLTAGE**



**EXTERNAL REFERENCE CURRENT AND REFERENCE VOLTAGE vs. VREFADJ**

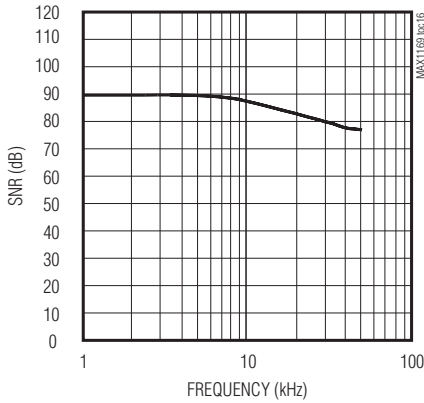


# 58.6kps, 16-Bit, 2-Wire Serial ADC in a 14-Pin TSSOP

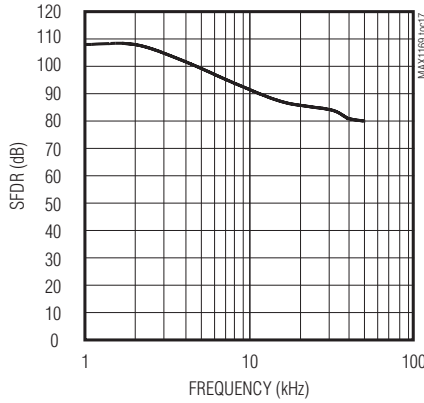
## Typical Operating Characteristics (continued)

( $V_{DD} = +3.0V$ ,  $V_{AVDD} = +5.0V$ ,  $f_{SCL} = 1.7MHz$  (33% duty cycle),  $f_{SAMPLE} = 58.6kps$ ,  $V_{REF} = +4.096V$ , external reference applied to REF, REFADJ = AVDD,  $C_{REF} = 10\mu F$ ,  $T_A = +25^\circ C$ , unless otherwise noted.)

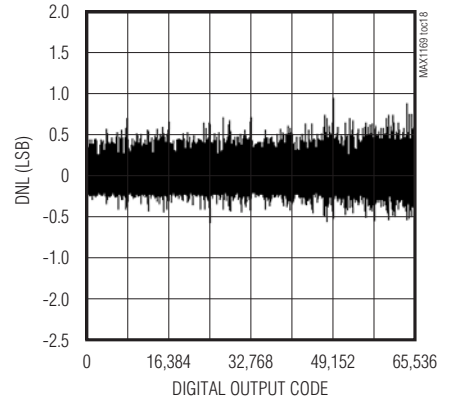
**SIGNAL-TO-NOISE RATIO vs. FREQUENCY**



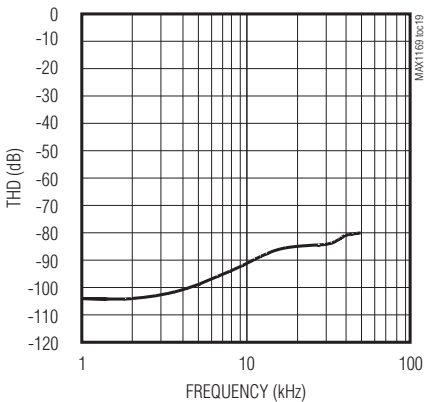
**SPURIOUS-FREE DYNAMIC RANGE vs. FREQUENCY**



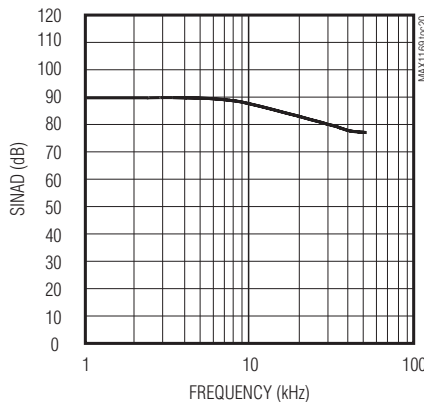
**DIFFERENTIAL NONLINEARITY vs. DIGITAL OUTPUT CODE**



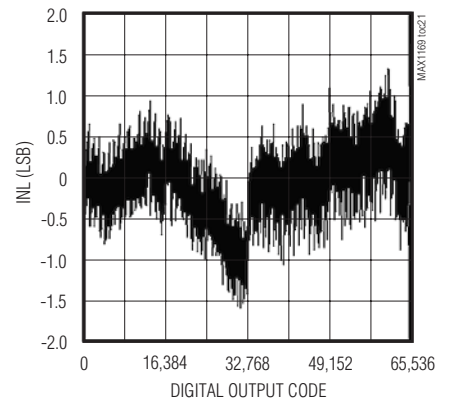
**TOTAL HARMONIC DISTORTION vs. FREQUENCY**



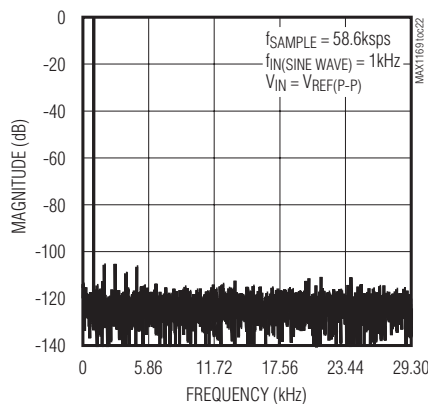
**SINAD vs. FREQUENCY**



**INTEGRAL NONLINEARITY vs. DIGITAL OUTPUT CODE**



**FFT**



# 58.6ksps, 16-Bit, 2-Wire Serial ADC in a 14-Pin TSSOP

MAX1169

## Pin Description

PIN	NAME	FUNCTION
1	DGND	Digital Ground
2	SCL	Clock Input
3	SDA	Data Input/Output
4	ADD2	Address Select Input 2
5	ADD1	Address Select Input 1
6	ADD0	Address Select Input 0
7	DVDD	Digital Power Input. Bypass to DGND with a 0.1 $\mu$ F capacitor.
8	AVDD	Analog Power Input. Bypass to AGND with a 0.1 $\mu$ F capacitor.
9	AGND	Analog Ground
10	AIN	Analog Input
11	AGNDS	Analog Signal Ground. Negative reference for analog input. Connect to AGND.
12	REFADJ	Internal Reference Output and Reference Buffer Input. Bypass to AGND with a 0.1 $\mu$ F capacitor. Connect REFADJ to AVDD to disable the internal bandgap reference and reference-buffer amplifier.
13	REF	Reference Buffer Output and External Reference Input. Bypass to AGND with a 10 $\mu$ F capacitor when using the internal reference.
14	ADD3	Address Select Input 3

## Detailed Description

The MAX1169 ADC uses successive-approximation conversion (SAR) techniques and on-chip track-and-hold (T/H) circuitry to capture and convert an analog signal to a serial 16-bit digital output.

The MAX1169 performs a unipolar conversion on its single analog input using its internal 4MHz clock. The full-scale analog input range is determined by the internal reference or by an externally applied reference voltage ranging from 1V to  $V_{AVDD}$ .

The flexible 2-wire serial interface provides easy connection to microcontrollers ( $\mu$ Cs) and supports data rates up to 1.7MHz. Figure 3 shows the simplified functional diagram for the MAX1169 and Figure 4 shows the typical application circuit.

### Power Supply

To maintain a low-noise environment, the MAX1169 provides separate analog and digital power-supply inputs. The analog circuitry requires a +5V supply and consumes only 900 $\mu$ A at sampling rates up to 58.6ksps. The digital supply voltage accepts voltages from +2.7V to +5.5V to ensure compatibility with low-

voltage ASICs. The MAX1169 wakes up in shutdown mode when power is applied irrespective of the AVDD and DVDD sequence.

### Analog Input and Track/Hold

The MAX1169 analog input contains a T/H capacitor, T/H switches, comparator, and a switched capacitor digital-to-analog converter (DAC) (Figure 5).

As shown in Figure 11c, the MAX1169 acquisition period is the two clock cycles prior to the conversion period. The T/H switches are normally in the hold position. During the acquisition period, the T/H switches are in the track position and  $C_{T/H}$  charges to the analog input signal. Before a conversion begins, the T/H switches move to the hold position retaining the charge on  $C_{T/H}$  as a sample of the analog input signal.

During the conversion interval, the switched capacitive DAC adjusts to restore the comparator input voltage to zero within the limits of 16-bit resolution. This is equivalent to transferring a charge of  $35\text{pF} \times (V_{AIN} - V_{AGNDS})$  from  $C_{T/H}$  to the binary weighted capacitive DAC, forming a digital representation of the analog input signal. During the conversion period, the MAX1169 holds SCL low (clock stretching).

# 58.6kps, 16-Bit, 2-Wire Serial ADC in a 14-Pin TSSOP

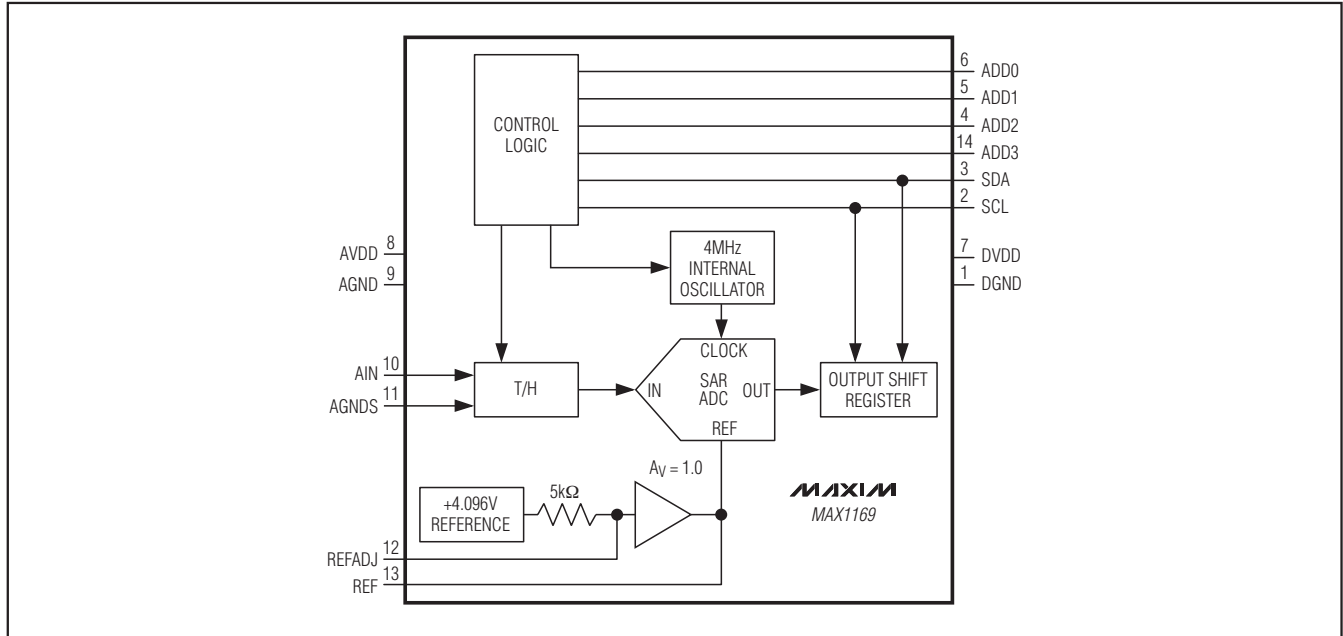


Figure 3. MAX1169 Simplified Functional Diagram

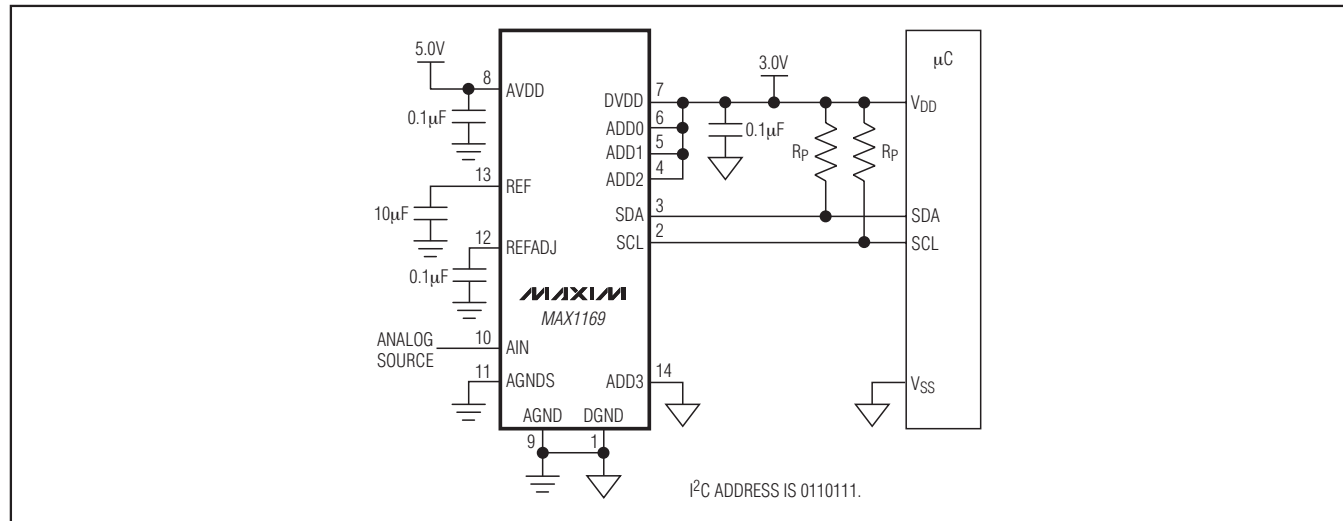


Figure 4. Typical Application Circuit

The time required for the T/H to acquire an input signal is a function of the analog input source impedance. If the input signal source impedance is high, lengthen the acquisition time by reducing  $f_{SCL}$ . The MAX1169 provides two SCL cycles ( $t_{ACQ}$ ) in which the track-and-hold capacitance must acquire a charge representing the input signal. Minimize the input source impedance ( $R_{SOURCE}$ ) to allow the track-and-hold capacitance to

charge within the allotted time.  $R_{SOURCE}$  should be less than 11.3kΩ for  $f_{SCL} = 400\text{kHz}$  and less than 2kΩ for  $f_{SCL} = 1.7\text{MHz}$ .  $R_{SOURCE}$  is calculated with the following equation:

$$R_{SOURCE} \leq \frac{2}{f_{SCL} \times \ln(2 \times 2^N) \times C_{IN}} - R_{IN}$$

## 58.6ksps, 16-Bit, 2-Wire Serial ADC in a 14-Pin TSSOP

where  $R_{SOURCE}$  is the analog input source impedance,  $f_{SCL}$  is the maximum system SCL frequency,  $N$  is 16 (the number of bits of resolution),  $C_{IN}$  is 35pF (the sum of  $C_{T/H}$  and input stray capacitance), and  $R_{IN}$  is 800 $\Omega$  (the T/H switch resistances).

**To improve the input-signal bandwidth under AC conditions, drive AIN with a wideband buffer (>4MHz) that can drive the ADC's input capacitance and settle quickly (see the *Input Buffer* section).**

An RC filter at AIN reduces the input track-and-hold switching transient by providing charge for  $C_{T/H}$ .

### Analog Input Bandwidth

The MAX1169 features input-tracking circuitry with a 4MHz small-signal bandwidth. The 4MHz input bandwidth makes it possible to digitize high-speed transient events and measure periodic signals with bandwidths exceeding the ADC's sampling rate by using under-sampling techniques. Use anti-alias filtering to avoid high-frequency signals being aliased into the frequency band of interest.

### Analog Input Range and Protection

Internal electrostatic discharge (ESD) protection diodes clamp AIN, REF, and REFADJ to AVDD and AGND/AGND (Figure 6). These diodes allow the analog inputs to swing from (VAGND - 0.3V) to (VAVDD + 0.3V) without causing damage to the device. For accurate conversions, the inputs must not go more than 50mV beyond their rails.

**If the analog inputs exceed 300mV beyond their rails, limit the current to 2mA.**

### Internal Clock

The MAX1169 contains an internal 4MHz oscillator that drives the SAR conversion clock. During conversion, SCL is held low (clock stretching). An internal register stores

data when the conversion is in progress. When the MAX1169 releases SCL, the master reads the conversion results at any clock rate up to 1.7MHz (Figure 11).

### Digital Interface

The MAX1169 features an I<sup>2</sup>C-compatible, 2-wire serial interface consisting of a bidirectional serial data line (SDA) and a serial clock line (SCL). SDA and SCL facilitate bidirectional communication between the MAX1169 and the master at rates up to 1.7MHz. The master (typically a microcontroller) initiates data transfer on the bus and generates SCL.

SDA and SCL require pullup resistors (500 $\Omega$  or greater, Figure 4). Optional resistors (24 $\Omega$ ) in series with SDA and SCL protect the device inputs from high-voltage spikes on the bus lines. Series resistors also minimize crosstalk and undershoot of the bus signals.

### Bit Transfer

One data bit is transferred during each SCL clock cycle. Nine clock cycles are required to transfer the data into or out of the MAX1169. The data on SDA must remain stable during the high period of the SCL clock pulse as changes in SDA while SCL is high are control signals (see the *START and STOP Conditions* section). Both SDA and SCL idle high.

### START and STOP Conditions

The master initiates a transmission with a START condition (S), a high-to-low transition on SDA with SCL high. The master terminates a transmission with a STOP condition (P), a low-to-high transition on SDA while SCL is high (Figure 7). The STOP condition frees the bus and places all devices in F/S mode (see the *Bus Timing* section). Use a repeated START condition (Sr) in place of a STOP condition to leave the bus active and in its current timing mode (see the *HS Mode* section).

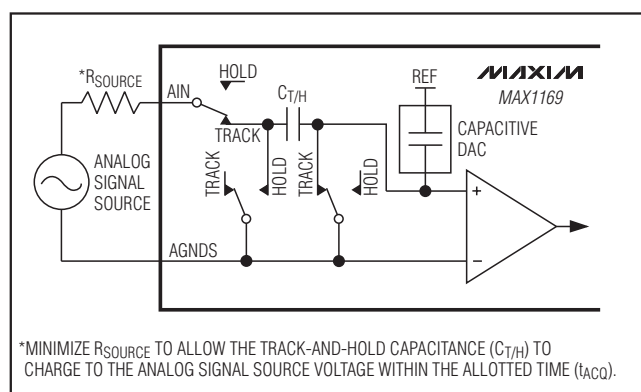


Figure 5. Equivalent Input Circuit

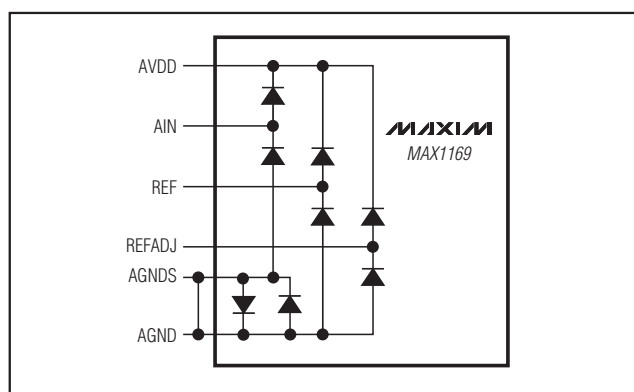


Figure 6. Internal Protection Diodes

# 58.6kps, 16-Bit, 2-Wire Serial ADC in a 14-Pin TSSOP

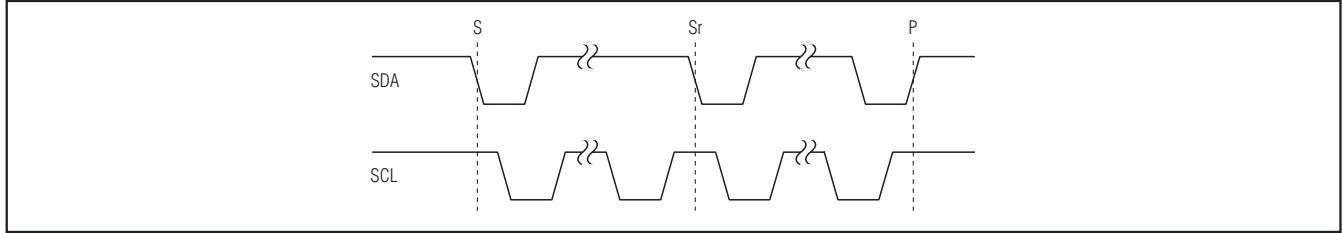


Figure 7. START and STOP Conditions

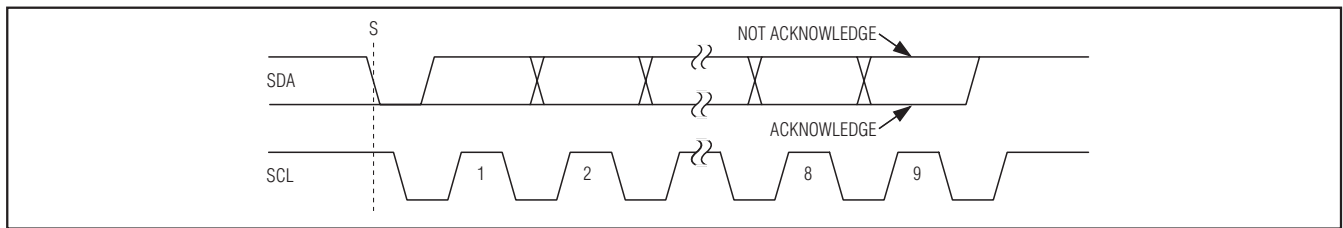


Figure 8. Acknowledge Bits

### Acknowledge Bits

Successful data transfers are acknowledged with an acknowledge bit (A) or a not-acknowledge bit ( $\bar{A}$ ). Both the master and the MAX1169 (slave) generate acknowledge bits. To generate an acknowledge, the receiving device must pull SDA low before the rising edge of the acknowledge-related clock pulse (ninth pulse) and keep it low during the high period of the clock pulse (Figure 8). To generate a not acknowledge, the receiver allows SDA to be pulled high before the rising edge of the acknowledge-related clock pulse and leaves it high during the high period of the clock pulse.

Monitoring the acknowledge bits allows for detection of unsuccessful data transfers. An unsuccessful data transfer happens if a receiving device is busy or if a system fault has occurred. In the event of an unsuccessful data transfer, the master should reattempt communication at a later time.

### Slave Address

A master initiates communication with a slave device by issuing a START condition followed by a slave address byte. As shown in Figure 9, the slave address byte consists of 7 address bits and a read/write bit (R/W). When idle, the MAX1169 continuously waits for a START condition followed by its slave address. When the MAX1169 recognizes its slave address, it acquires the analog input signal and prepares for conversion. The first 3 bits (MSBs) of the slave address have been factory programmed and are always **011**. Connecting

ADD3–ADD0 to DVDD or DGND, programs the last 4 bits (LSBs) of the slave address high or low.

Since the MAX1169 does not require setup or configuration, the least significant bit (LSB) of the address byte (R/W) controls power-down. In external reference mode (REFADJ = AVDD), R/W is a don't care. In internal reference mode, setting R/W = 1 places the device in normal operation and setting R/W = 0 powers down the internal reference following the conversion (see the *Internal Reference Shutdown* section).

After receiving the address, the MAX1169 (slave) issues an acknowledge by pulling SDA low for one clock cycle.

### Bus Timing

At power-up, the MAX1169 bus timing defaults to fast mode (F/S mode), allowing conversion rates up to 19kps. The MAX1169 must operate in high-speed mode (HS mode) to achieve conversion rates up to 58.6kps. Figure 1 shows the bus timing for the MAX1169 2-wire interface.

### HS Mode

At power-up, the MAX1169 bus timing is set for F/S mode. The master selects HS mode by addressing all devices on the bus with the HS mode master code 0000 1XXX (X = don't care). After successfully receiving the HS mode master code, the MAX1169 issues a not acknowledge, allowing SDA to be pulled high for one clock cycle (Figure 10). After the not acknowledge, the

# 58.6ksp/s, 16-Bit, 2-Wire Serial ADC in a 14-Pin TSSOP

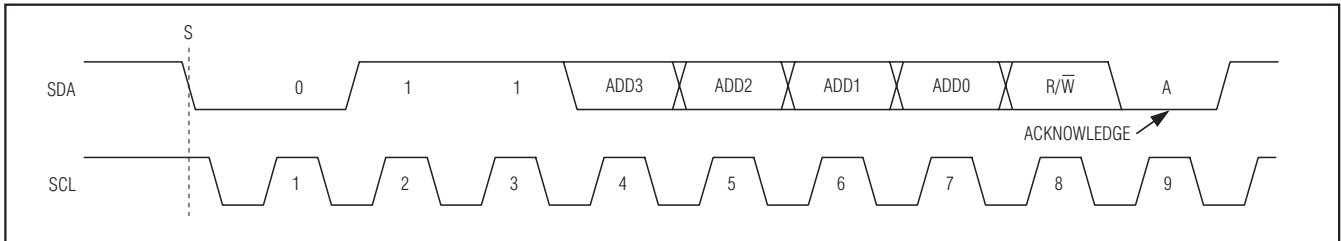


Figure 9. MAX1169 Slave Address Byte

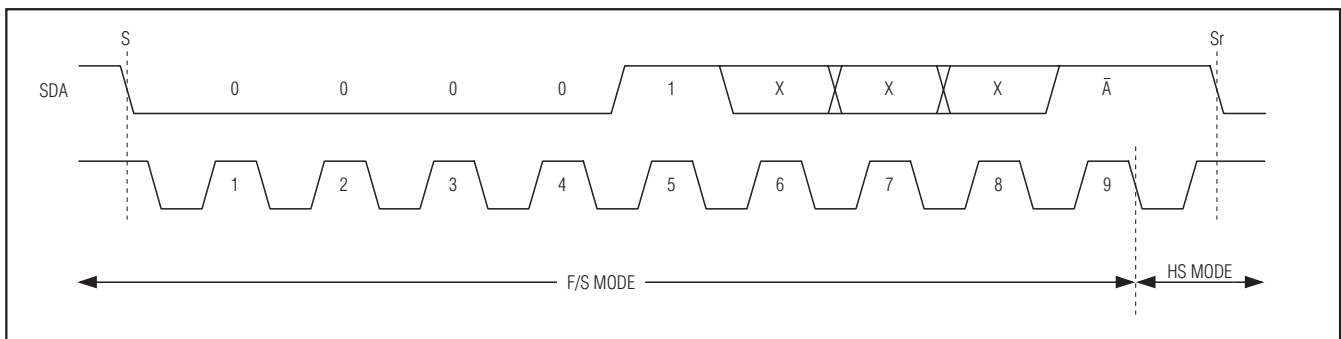


Figure 10. F/S-Mode to HS-Mode Transfer

MAX1169 is in HS mode. The master must then send a repeated START followed by a slave address to initiate HS mode communication. If the master generates a STOP condition, the MAX1169 returns to F/S mode.

### Data Byte (Read Cycle)

Initiate a read cycle to begin a conversion. A read cycle begins with the master issuing a START followed by 7 address bits and 1 read bit ( $R/\bar{W}$ ). The standard I<sup>2</sup>C-compatible interface requires that  $R/\bar{W} = 1$  to read from a device; however, since the MAX1169 does not require setup or configuration, the read mode is inherent and  $R/\bar{W}$  controls power-down (see the *Internal Reference Shutdown* section). If the address byte is successfully received, the MAX1169 (slave) issues an acknowledge and begins conversion.

As seen in Figure 11, the MAX1169 holds SCL low during conversion. When the conversion is complete, SCL is released and the master can clock data out of the device. The most significant byte of the conversion is available first and contains D15 to D8. The least significant byte contains D7 to D0. Data can be continuously converted as long as the master acknowledges the conversion results. Issuing a not acknowledge frees the bus, allowing the master to generate a STOP or repeated START.

## Applications Information

### Power-On Reset

When power is first applied, internal power-on reset circuitry activates the MAX1169 in shutdown. When the internal reference is used, allow 12ms for the reference to settle when  $C_{REF} = 10\mu\text{F}$  and  $C_{REFADJ} = 0.1\mu\text{F}$ .

### Automatic Shutdown

The MAX1169 automatic shutdown reduces the supply current to less than  $0.6\mu\text{A}$  between conversions. The MAX1169 I<sup>2</sup>C-compatible interface is always active. When the MAX1169 receives a valid slave address, the device powers up. The device is then powered down again when the conversion is complete. The automatic shutdown function does not change with internal or external reference. When the internal reference is chosen, the internal reference remains active between conversions unless internal reference shutdown is requested (see the *Internal Reference Shutdown* section).

### Internal Reference Shutdown

The  $R/\bar{W}$  bit of the slave address controls the MAX1169 internal reference shutdown. In external reference mode ( $REFADJ = AVDD$ ),  $R/\bar{W}$  is a don't care. In internal reference mode, setting  $R/\bar{W} = 1$  places the device in normal operation and setting  $R/\bar{W} = 0$  prepares the internal reference for shutdown.

# 58.6kps, 16-Bit, 2-Wire Serial ADC in a 14-Pin TSSOP

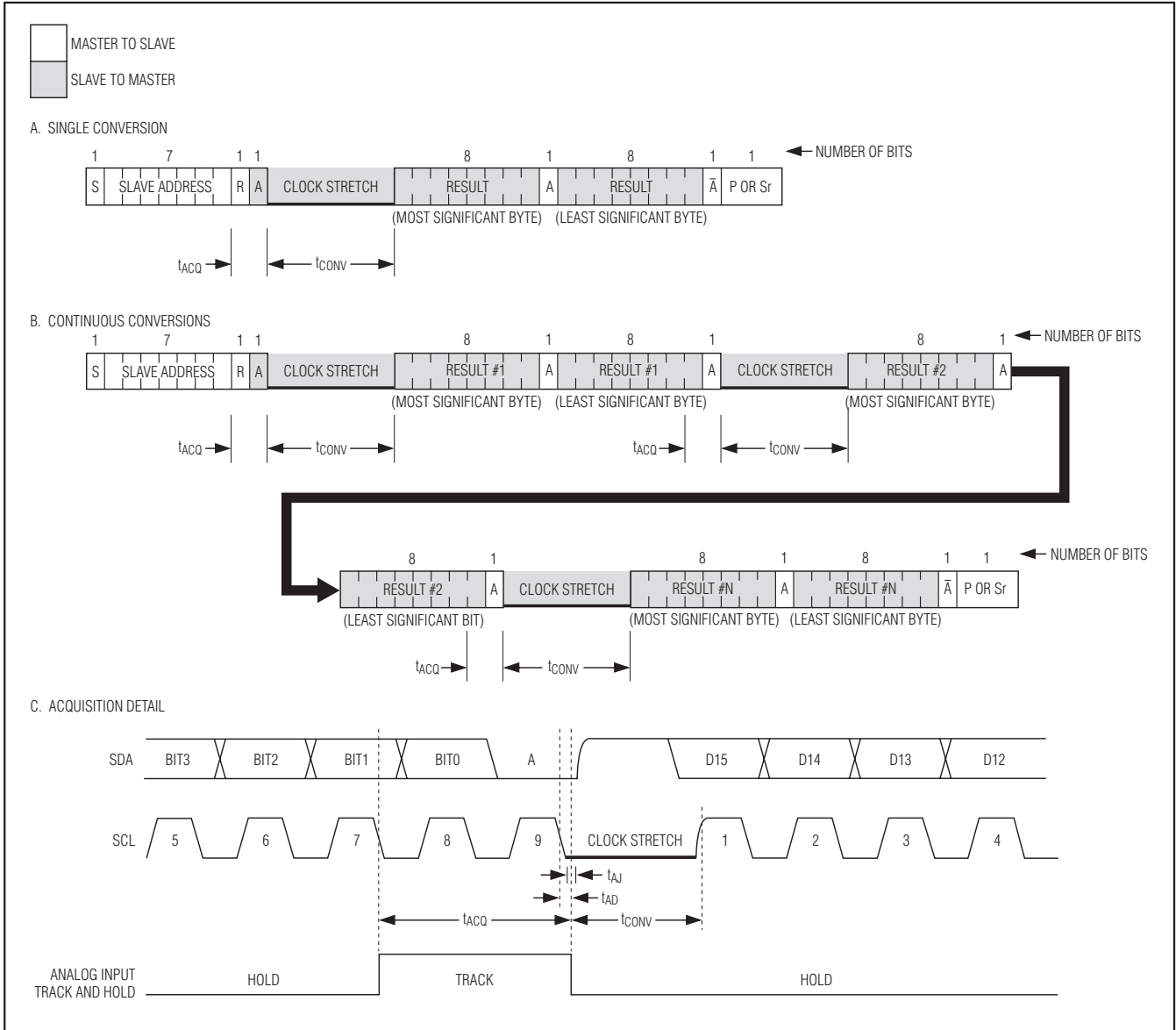


Figure 11. Read Cycle

If the internal reference is used and  $R/\bar{W} = 0$ , shutdown occurs when the master issues a not-acknowledge bit while reading the conversion results. The internal reference and internal reference buffer are disabled during shutdown, reducing the analog supply current to less than 1 $\mu$ A.

A dummy conversion is required to power up the internal reference. The MAX1169 internal reference begins powering up from shutdown on the 9th falling edge of a

valid address byte. Allow 12ms for the internal reference to settle before obtaining valid conversion results.

### Reference Voltage

The MAX1169 provides an internal or accepts an external reference voltage. The ADC input range is from VAGNDS to VREF. (See the *Transfer Function* section.)



# 58.6ksps, 16-Bit, 2-Wire Serial ADC in a 14-Pin TSSOP

MAX1169

## Internal Reference

The MAX1169 contains an internal 4.096V bandgap reference. This bandgap reference is connected to REFADJ through a 5kΩ resistor. Bypass REFADJ with a 0.1μF capacitor to AGND. The MAX1169 reference buffer has a unity gain to provide +4.096V at REF. Bypass REF with a 10μF capacitor to AGND when the internal reference is used (Figure 12).

The internal reference is adjustable to ±1.5% using the circuit of Figure 13.

## External Reference

For external reference operation, disable the internal reference by connecting REFADJ to AVDD. During conversion, an external reference at REF must deliver up to 100μA of DC load current and have an output impedance of less than 10Ω.

For optimal performance, buffer the reference through an op amp and bypass REF with a 10μF capacitor. Consider the MAX1169's equivalent input noise (38μVRMS) when choosing a reference.

## Transfer Function

The MAX1169 has a standard unipolar transfer function with a valid analog input voltage range from VAGNDS to VREF. Output data coding is binary with 1LSB = (VREF/2<sup>N</sup>) where N is the number of bits (16). Code transitions occur halfway between successive-integer

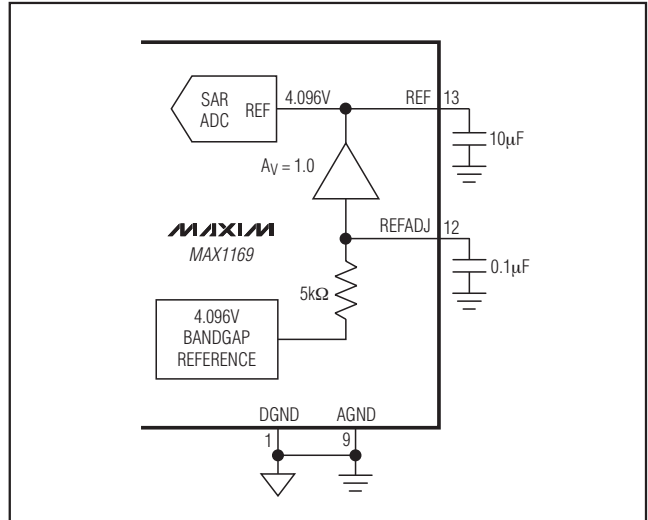


Figure 12. Internal Reference

LSB values. Figure 14 shows the MAX1169 input/output (I/O) transfer function.

## Input Buffer

Most applications require an input buffer amplifier to achieve 16-bit accuracy. If the input signal is multiplexed, the input channel should be switched immediately after acquisition, rather than near the end of or

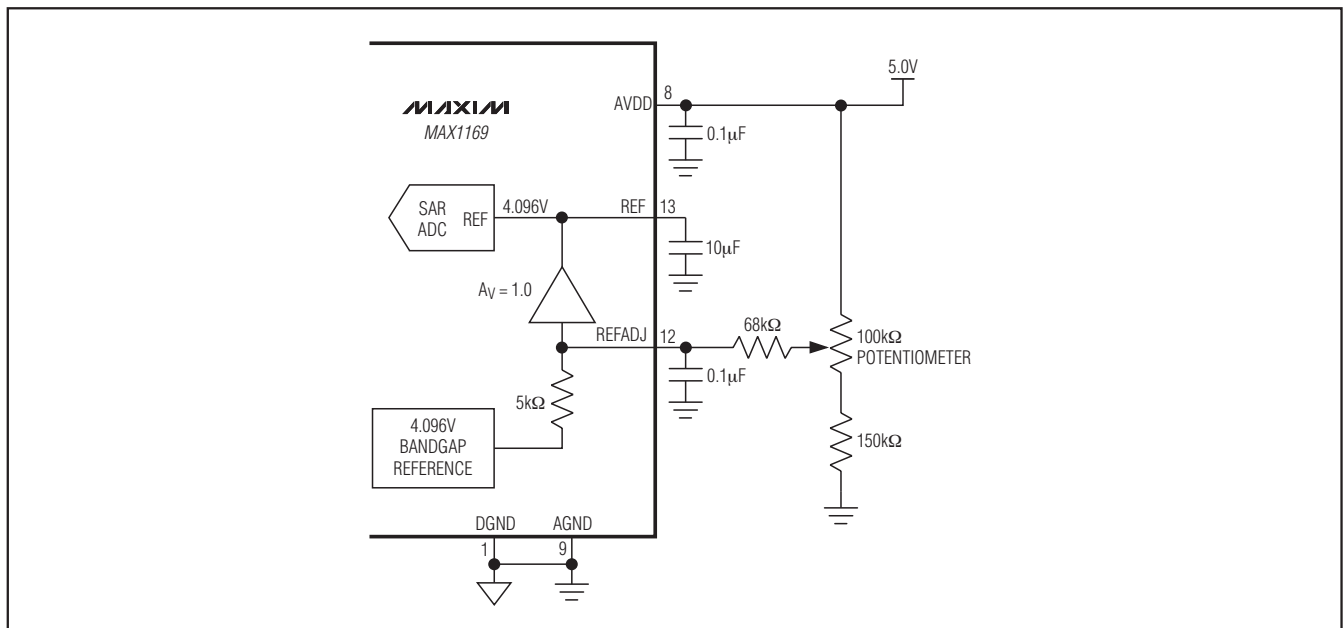


Figure 13. Adjusting the Internal Reference

## 58.6kps, 16-Bit, 2-Wire Serial ADC in a 14-Pin TSSOP

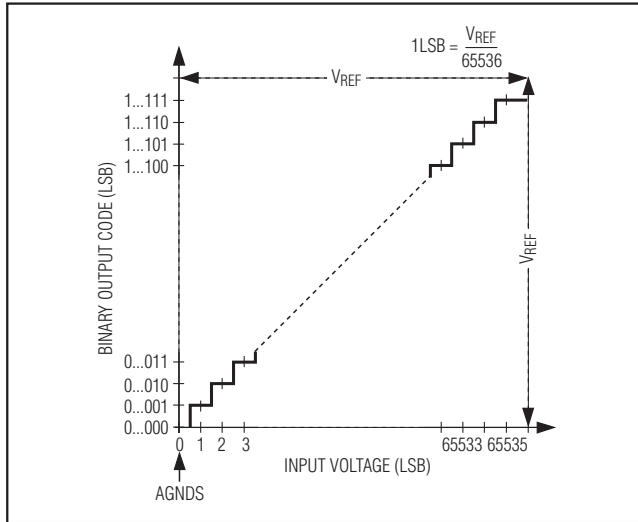


Figure 14. Unipolar Transfer Function

after a conversion. This allows more time for the input buffer amplifier to respond to a large step-change in input signal. The input amplifier must have a high enough slew rate to complete the required output voltage change before the beginning of the acquisition time. At the beginning of acquisition, the internal sampling capacitor array connects to AIN (the amplifier output), causing some output disturbance.

Ensure that the sampled voltage has settled to within the required limits before the end of the acquisition time. If the frequency of interest is low, AIN can be bypassed with a large enough capacitor to charge the internal sampling capacitor with very little ripple. However, for AC use, AIN must be driven by a wide-band buffer (at least 4MHz), which must be stable with the ADC's capacitive load (in parallel with any AIN bypass capacitor used) and also settle quickly. Refer to Maxim's website at [www.maxim-ic.com](http://www.maxim-ic.com) for application notes on how to choose the optimum buffer amplifier for your ADC application.

### Layout, Grounding, and Bypassing

Careful printed circuit (PC) board layout is essential for the best system performance. Boards should have separate analog and digital ground planes and ensure that digital and analog signals are separated from each other. Do not run analog and digital (especially clock) lines parallel to one another, or digital lines underneath the device package.

Figure 4 shows the recommended system ground connections. Establish an analog ground point at AGND and a digital ground point at DGND. Connect all analog

grounds to the star analog ground. Connect the digital grounds to the star digital ground. Connect the digital ground plane to the analog ground plane at one point. For lowest noise operation, make the ground return to the star ground's power supply low impedance and as short as possible.

High-frequency noise in the AVDD power supply degrades the ADC's high-speed comparator performance. Bypass AVDD to AGND with a 0.1 $\mu$ F ceramic surface-mount capacitor. Make bypass capacitor connections as short as possible. If the power supply is very noisy, connect a 10 $\Omega$  resistor in series with AVDD and a 4.7 $\mu$ F capacitor from AVDD to AGND to create a lowpass RC filter.

## Definitions

### Integral Nonlinearity

Integral nonlinearity (INL) is the deviation of the values on an actual transfer function from a straight line. This straight line can be either a best-straight-line fit or a line drawn between the end points of the transfer function once offset and gain errors have been nullified. The MAX1169 INL is measured using the end-point method.

### Differential Nonlinearity

Differential nonlinearity (DNL) is the difference between an actual step width and the ideal value of 1 LSB. A DNL error specification of less than 1 LSB guarantees no missing codes and a monotonic transfer function.

### Aperture Jitter

Aperture jitter ( $t_{AJ}$ ) is the sample-to-sample variation in the time between the samples (Figure 11).

### Aperture Delay

Aperture delay ( $t_{AD}$ ) is the time from the falling edge of SCL to the instant when an actual sample is taken (Figure 11).

### Signal-to-Noise Ratio

For a waveform perfectly reconstructed from digital samples, signal-to-noise ratio (SNR) is the ratio of full-scale analog input (RMS value) to the RMS quantization error (residual error). The ideal, theoretical minimum analog-to-digital noise is caused by quantization error only and results directly from the ADC's resolution (N bits):

$$\text{SNR} = ((6.02 \times N) + 1.76) \text{ dB}$$

In reality, noise sources besides quantization noise exist, including thermal noise, reference noise, clock jitter, etc. Therefore, SNR is computed by taking the ratio of the RMS signal to the RMS noise, which includes all spectral components minus the fundamental, the first five harmonics, and the DC offset.

# 58.6ksps, 16-Bit, 2-Wire Serial ADC in a 14-Pin TSSOP

MAX1169

## Signal-to-Noise Plus Distortion

Signal-to-noise plus distortion (SINAD) is the ratio of the fundamental input frequency's RMS amplitude to RMS equivalent of all other ADC output signals:

$$\text{SINAD}(\text{db}) = 20 \times \log \left( \frac{\text{Signal}_{\text{RMS}}}{\text{Noise}_{\text{RMS}}} \right)$$

## Effective Number of Bits

Effective number of bits (ENOB) indicates the global accuracy of an ADC at a specific input frequency and sampling rate. An ideal ADC's error consists of quantization noise only. With an input range equal to the ADC's full-scale range, calculate the ENOB as follows:

$$\text{ENOB} = \left( \frac{\text{SINAD} - 1.76}{6.02} \right)$$

## Total Harmonic Distortion

Total harmonic distortion (THD) is the ratio of the RMS sum of the input signal's first five harmonics to the fundamental itself, expressed as:

$$\text{THD} = 20 \times \log \left( \frac{\sqrt{V_2^2 + V_3^2 + V_4^2 + V_5^2}}{V_1} \right)$$

where  $V_1$  is the fundamental amplitude, and  $V_2$  through  $V_5$  are the amplitudes of the 2nd- through 5th-order harmonics.

## Spurious-Free Dynamic Range

Spurious-free dynamic range (SFDR) is the ratio of RMS amplitude of the fundamental (maximum signal component) to the RMS value of the next-largest distortion component.

## Chip Information

PROCESS: BiCMOS

## Package Information

For the latest package outline information and land patterns, go to [www.maxim-ic.com/packages](http://www.maxim-ic.com/packages). Note that a "+", "#", or "-" in the package code indicates RoHS status only. Package drawings may show a different suffix character, but the drawing pertains to the package regardless of RoHS status.

PACKAGE TYPE	PACKAGE CODE	OUTLINE NO.	LAND PATTERN NO.
14 TSSOP	U14-1	<a href="#">21-0066</a>	<a href="#">90-0113</a>

# 58.6ksps, 16-Bit, 2-Wire Serial ADC in a 14-Pin TSSOP

## Revision History

REVISION NUMBER	REVISION DATE	DESCRIPTION	PAGES CHANGED
0	10/02	Initial release	—
1	12/09	Updated <i>Ordering Information</i> and <i>Electrical Characteristics</i>	1, 2
2	12/10	Removed commercial temperature range	1, 2

Maxim cannot assume responsibility for use of any circuitry other than circuitry entirely embodied in a Maxim product. No circuit patent licenses are implied. Maxim reserves the right to change the circuitry and specifications without notice at any time.

20 \_\_\_\_\_ **Maxim Integrated Products, 120 San Gabriel Drive, Sunnyvale, CA 94086 408-737-7600**