



# ±15kV ESD-Protected USB Transceivers with External/Internal Pullup Resistors

## General Description

The MAX13481E/MAX13482E/MAX13483E ±15kV ESD-protected USB-compliant transceivers interface low-voltage ASICs with USB devices. The transceivers fully comply to USB 2.0 when operating at full-speed (12Mbps). The transceivers also operate with  $V_L$  as low as 1.6V, ensuring compatibility with low-voltage ASICs.

The MAX13481E/MAX13482E/MAX13483E feature a logic-selectable suspend mode that reduces current consumption. Integrated ±15kV ESD circuitry protects D+ and D- bus connections.

The MAX13481E/MAX13482E/MAX13483E operate over the extended -40°C to +85°C temperature range and are available in a 16-pin (3mm x 3mm) thin QFN package.

## Applications

Cell Phones  
PDAs  
Digital Still Cameras

## Selector Guide

| PART         | ENUM INPUT | INTERNAL 1.5kΩ RESISTOR | V <sub>BUS</sub> DETECTION |
|--------------|------------|-------------------------|----------------------------|
| MAX13481EETE | ✓          | —                       | —                          |
| MAX13482EETE | ✓          | ✓                       | ✓                          |
| MAX13483EETE | —          | —                       | ✓                          |

Typical Operating Circuits appear at end of data sheet.

## Features

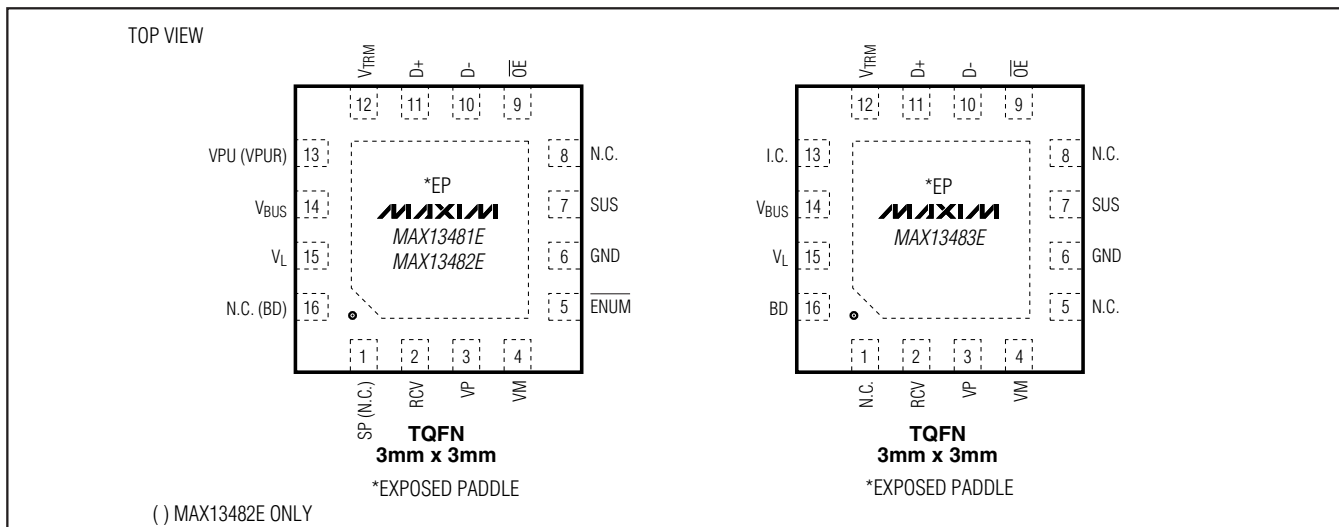
- ◆ Active-Low Enumeration Input Controls D+ Pullup Resistor (MAX13482E)
- ◆ Active-Low Enumeration Input Controls Internal Pullup Switch (MAX13481E)
- ◆ ±15kV ESD Protection on D+ and D-
- ◆ USB 2.0 Full-Speed Compliant Transceiver
- ◆ V<sub>BUS</sub> Detection (MAX13482E/MAX13483E)
- ◆ +1.60V to +3.6V  $V_L$  Allows Connection with Low-Voltage ASICs
- ◆ No Power-Supply Sequencing Required
- ◆ Pin Compatible with MIC2551A (MAX13481E)
- ◆ Pin Compatible with DP1680 (MAX13483E)
- ◆ Pin Compatible with DP1681 (MAX13481E)
- ◆ Pin Compatible with DP1682 (MAX13482E)

## Ordering Information

| PART         | PIN-PACKAGE        | TOP MARK | PKG CODE |
|--------------|--------------------|----------|----------|
| MAX13481EETE | 3mm X 3mm TQFN-EP* | ADF      | T1633-4  |
| MAX13482EETE | 3mm X 3mm TQFN-EP* | ADI      | T1633-4  |
| MAX13483EETE | 3mm X 3mm TQFN-EP* | ADJ      | T1633-4  |

\*EP = Exposed Paddle.

## Pin Configurations



# ±15kV ESD-Protected USB Transceivers with External/Internal Pullup Resistors

## ABSOLUTE MAXIMUM RATINGS

(All voltages referenced to GND, unless otherwise noted.)

|   |                                    |
|---|------------------------------------|
| V <sub>BUS</sub> , V <sub>L</sub> .....   | -0.3V to +7V                       |
| V <sub>TRM</sub> , V <sub>PUR</sub> , V <sub>PU</sub> .....   | -0.3V to (V <sub>BUS</sub> + 0.3V) |
| Input Voltage (D+, D-) .....  | -0.3V to +7V                       |
| V <sub>M</sub> , V <sub>P</sub> , V <sub>SUS</sub> , R <sub>CV</sub> , $\overline{\text{EN}}_{\text{UM}}$ , B <sub>D</sub> , $\overline{\text{OE}}$ ..... | -0.3V to (V <sub>L</sub> + 0.3V)   |
| Short-Circuit Current to V <sub>CC</sub> or GND (D+, D-) .....  | ±150mA                             |
| Maximum Continuous Current (all other pins) .....   | ±15mA                              |

Continuous Power Dissipation (T<sub>A</sub> = +70°C)

|   |                 |
|---|-----------------|
| 16-Pin, 3mm x 3mm TQFN (derate 15.6mW/°C above +70°C) ..... | 1250mW          |
| Operating Temperature Range .....                           | -40°C to +85°C  |
| Junction Temperature .....                                  | +150°C          |
| Storage Temperature Range .....                             | -65°C to +150°C |
| Lead Temperature (soldering, 10s) .....                     | +300°C          |

Stresses beyond those listed under "Absolute Maximum Ratings" may cause permanent damage to the device. These are stress ratings only, and functional operation of the device at these or any other conditions beyond those indicated in the operational sections of the specifications is not implied. Exposure to absolute maximum rating conditions for extended periods may affect device reliability.

## ELECTRICAL CHARACTERISTICS

(V<sub>CC</sub> = +4V to +5.5V, V<sub>L</sub> = +1.6V to +3.6V, T<sub>A</sub> = T<sub>MIN</sub> to T<sub>MAX</sub>, unless otherwise noted. Typical values are at V<sub>CC</sub> = +5V, V<sub>L</sub> = +2.5V, T<sub>A</sub> = +25°C.) (Note 1)

| PARAMETER  | SYMBOL                   | CONDITIONS  | MIN                   | TYP  | MAX | UNITS |
|--|--------------------------|---|-----------------------|------|-----|-------|
| <b>SUPPLY INPUTS (V<sub>BUS</sub>, V<sub>TRM</sub>, V<sub>L</sub>)</b> |                          |   |                       |      |     |       |
| V <sub>BUS</sub> Input Range   | V <sub>BUS</sub>         |   | 4.0                   |      | 5.5 | V     |
| V <sub>L</sub> Input Range   | V <sub>L</sub>           |   | 1.6                   |      | 3.6 | V     |
| Regulated Supply-Voltage Output  | V <sub>VTRM</sub>        |   | 3.0                   | 3.3  | 3.6 | V     |
| Operating V <sub>CC</sub> Supply Current                               | I <sub>VCC</sub>         | Full-speed transmitting/receiving at 12Mbps, C <sub>L</sub> = 50pF on D+ and D- (Note 2)  |                       |      | 10  | mA    |
| Operating V <sub>L</sub> Supply Current                                | I <sub>VL</sub>          | Full-speed transmitting/receiving at 12Mbps, C <sub>L</sub> = 15pF receiver outputs, V <sub>L</sub> = 2.5V (Note 2)   |                       |      | 2.5 | mA    |
| Full-Speed Idle and SE0 Supply Current                                 | I <sub>VCC(IDLE)</sub>   | Full-speed idle, V <sub>D+</sub> > 2.7V, V <sub>D-</sub> < 0.3V   |                       | 250  | 350 | μA    |
|  |                          | SE0: V <sub>D+</sub> < 0.3V, V <sub>D-</sub> < 0.3V   |                       | 250  | 350 |       |
| Static V <sub>L</sub> Supply Current                                   | I <sub>VL(STATIC)</sub>  | Full-speed idle, SE0 or suspend mode  |                       |      | 5   | μA    |
| Suspend Supply Current   | I <sub>VCC(SUSP)</sub>   | V <sub>M</sub> = V <sub>P</sub> = open, $\overline{\text{EN}}_{\text{UM}}$ = SUS = $\overline{\text{OE}}$ = high  |                       |      | 35  | μA    |
| Disabled-Mode Supply Current   | I <sub>VCC(DIS)</sub>    | V <sub>L</sub> = GND or open  |                       |      | 20  | μA    |
| Sharing-Mode V <sub>L</sub> Supply Current                             | I <sub>VL(SHARING)</sub> | V <sub>BUS</sub> = GND or open, $\overline{\text{OE}}$ = low, V <sub>P</sub> = low or high, V <sub>M</sub> = low or high, SUS = high, $\overline{\text{EN}}_{\text{UM}}$ = high |                       |      | 5   | μA    |
| Disable-Mode Load Current on D+ and D-                                 | I <sub>DX(DISABLE)</sub> | V <sub>L</sub> = GND or open, V <sub>D-</sub> = 0 or 5.5V   |                       |      | 5   | μA    |
| Sharing-Mode Load Current on D+ and D-                                 | I <sub>DX(SHARING)</sub> | V <sub>BUS</sub> = GND or open, V <sub>D-</sub> = 0 or 5.5V   |                       |      | 20  | μA    |
| USB Power-Supply Detection Threshold                                   | V <sub>TH_H</sub>        | Supply present  | 3.6                   |      |     | V     |
|  | V <sub>TH_L</sub>        | Supply lost   | V <sub>L</sub> ≥ 1.7V |      | 0.8 |       |
|  |                          |   | V <sub>L</sub> < 1.7V |      | 0.7 |       |
| USB Power-Supply Detection Hysteresis                                  | V <sub>HYST</sub>        |   |                       | 75   |     | mV    |
| V <sub>L</sub> Supply-Voltage Detection Threshold                      | V <sub>TH(VL)</sub>      |   |                       | 0.85 |     | V     |

# ±15kV ESD-Protected USB Transceivers with External/Internal Pullup Resistors

MAX13481E/MAX13482E/MAX13483E

## ELECTRICAL CHARACTERISTICS (continued)

(V<sub>CC</sub> = +4V to +5.5V, V<sub>L</sub> = +1.6V to +3.6V, T<sub>A</sub> = T<sub>MIN</sub> to T<sub>MAX</sub>, unless otherwise noted. Typical values are at V<sub>CC</sub> = +5V, V<sub>L</sub> = +2.5V, T<sub>A</sub> = +25°C.) (Note 1)

| PARAMETER  | SYMBOL           | CONDITIONS                                   | MIN                  | TYP | MAX                  | UNITS |
|--|------------------|--|----------------------|-----|----------------------|-------|
| <b>ANALOG VOLTAGE OUTPUTS (VPU, VPUR)</b>                      |                  |  |                      |     |                      |       |
| Off-State Leakage  | I <sub>LZ</sub>  | $\overline{\text{ENUM}} = V_L$               | -1                   |     | +1                   | μA    |
| VPU Switch Resistance  |                  | MAX13481E                                    |                      | 10  |                      | Ω     |
| VPUR Pullup Resistance   |                  | MAX13482 (Note 3)                            | 1.425                |     | 1.575                | kΩ    |
| <b>DIGITAL INPUTS/OUTPUTS (VP, VM, RCV, OE, ENUM, SUS, BD)</b> |                  |  |                      |     |                      |       |
| Input-High Voltage   | V <sub>IH</sub>  | VP, VM, OE, $\overline{\text{ENUM}}$ , SUS   | 0.7 × V <sub>L</sub> |     |                      | V     |
| Input-Low Voltage  | V <sub>IL</sub>  | VP, VM, OE, $\overline{\text{ENUM}}$ , SUS   |                      |     | 0.3 × V <sub>L</sub> | V     |
| Output Voltage High  | V <sub>OH</sub>  | VP, VM, RCV, BD, I <sub>SOURCE</sub> = 2mA   | V <sub>L</sub> - 0.4 |     |                      | V     |
| Output Voltage Low   | V <sub>OL</sub>  | VP, VM, RCV, BD, I <sub>SINK</sub> = 2mA     |                      |     | 0.4                  | V     |
| Input Leakage Current  | I <sub>LKG</sub> |  | -1                   |     | +1                   | μA    |
| Input Capacitance  |                  | Measured from input to GND                   |                      | 10  |                      | pF    |
| <b>ANALOG INPUT/OUTPUTS (D+, D-)</b>                           |                  |  |                      |     |                      |       |
| Differential Input Sensitivity                                 | V <sub>DI</sub>  | V <sub>D+</sub> - V <sub>D-</sub>            | 200                  |     |                      | mV    |
| Differential Common-Mode Voltage Range                         | V <sub>CM</sub>  | Include V <sub>DI</sub>                      | 0.8                  |     | 2.5                  | V     |
| Single-Ended Input-Low Voltage                                 | V <sub>IL</sub>  |  |                      |     | 0.8                  | V     |
| Single-Ended Input-High Voltage                                | V <sub>IH</sub>  |  | 2.0                  |     |                      | V     |
| Hysteresis   | V <sub>HYS</sub> |  |                      | 250 |                      | mV    |
| Output Voltage Low   | V <sub>OL</sub>  | R <sub>L</sub> = 1.5kΩ from D+ or D- to 3.6V |                      |     | 0.3                  | V     |
| Output Voltage High  | V <sub>OH</sub>  | R <sub>L</sub> = 15kΩ to GND                 | 2.8                  |     | 3.6                  | V     |
| Off-State Leakage Current                                      |                  | Three-state driver                           | -1                   |     | +1                   | μA    |
| Transceiver Capacitance  | C <sub>IND</sub> | D <sub>-</sub> to GND                        |                      | 20  |                      | pF    |
| Driver Output Impedance  | R <sub>OUT</sub> |  | 2                    |     | 15                   | Ω     |
| <b>ESD PROTECTION (D+, D-)</b>                                 |                  |  |                      |     |                      |       |
| Human Body Model   |                  |  |                      | ±15 |                      | kV    |
| IEC 61000-4-2 Contact Discharge                                |                  |  |                      | ±8  |                      | kV    |

## TIMING CHARACTERISTICS

(V<sub>CC</sub> = +4V to +5.5V, V<sub>L</sub> = +1.6V to +3.6V, T<sub>A</sub> = T<sub>MIN</sub> to T<sub>MAX</sub>, unless otherwise noted. Typical values are at V<sub>CC</sub> = +5V, V<sub>L</sub> = +2.5V, T<sub>A</sub> = +25°C.) (Note 1)

| PARAMETER  | SYMBOL                           | CONDITIONS  | MIN | TYP | MAX | UNITS |
|--|----------------------------------|---|-----|-----|-----|-------|
| <b>DRIVER CHARACTERISTICS (C<sub>L</sub> = 50pF)</b> |                                  |   |     |     |     |       |
| Rise Time D+/D-                                      | t <sub>FR</sub>                  | 10% to 90% of  V <sub>OH</sub> -V <sub>OL</sub>   (Figures 1, 9)    | 4   |     | 20  | ns    |
| Fall Time D+/D-                                      | t <sub>FF</sub>                  | 90% to 10% of  V <sub>OH</sub> -V <sub>OL</sub>   (Figures 1, 9)    | 4   |     | 20  | ns    |
| Rise- and Fall-Time Matching                         | t <sub>FR</sub> /t <sub>FF</sub> | Excluding the first transition from idle state, (Figure 1) (Note 2) | 90  |     | 110 | %     |

# ±15kV ESD-Protected USB Transceivers with External/Internal Pullup Resistors

## TIMING CHARACTERISTICS (continued)

(V<sub>CC</sub> = +4V to +5.5V, V<sub>L</sub> = +1.6V to +3.6V, T<sub>A</sub> = T<sub>MIN</sub> to T<sub>MAX</sub>, unless otherwise noted. Typical values are at V<sub>CC</sub> = +5V, V<sub>L</sub> = +2.5V, T<sub>A</sub> = +25°C.) (Note 1)

| PARAMETER                               | SYMBOL               | CONDITIONS                             | MIN | TYP | MAX | UNITS |
|---|----------------------|--|-----|-----|-----|-------|
| Output Signal Crossover Voltage         | V <sub>CRS</sub>     | (Figure 2) (Note 2)                    | 1.3 |     | 2   | V     |
| Driver Propagation Delay                | t <sub>PLH_DRV</sub> | Low-to-high transition (Figure 2)      |     |     | 18  | ns    |
|   | t <sub>PHL_DRV</sub> | High-to-low transition (Figure 2)      |     |     | 18  | ns    |
| Driver-Enabled Delay Time               | t <sub>PZH_DRV</sub> | Off-to-high transition (Figures 3, 10) |     |     | 20  | ns    |
|   | t <sub>PZL_DRV</sub> | Off-to-low transition (Figures 3, 10)  |     |     | 20  | ns    |
| Driver Disabled Delay                   | t <sub>PHZ_DRV</sub> | High-to-off transition (Figures 3, 10) |     |     | 20  | ns    |
|   | t <sub>PLZ_DRV</sub> | Low-to-off transition (Figures 3, 10)  |     |     | 20  | ns    |
| <b>RECEIVER (C<sub>L</sub> = 15pF)</b>  |                      |  |     |     |     |       |
| Differential Receiver Propagation Delay | t <sub>PLH_RCV</sub> | Low-to-high transition (Figures 4, 9)  |     |     | 20  | ns    |
|   | t <sub>PHL_RCV</sub> | High-to-low transition (Figures 4, 9)  |     |     | 20  |       |
| Single-Ended Receiver Propagation Delay | t <sub>PLH_SE</sub>  | Low-to-high transition (Figures 4, 9)  |     |     | 12  | ns    |
|   | t <sub>PHL_SE</sub>  | High-to-low transition (Figures 4, 9)  |     |     | 12  |       |
| Single-Ended Receiver Disable Delay     | t <sub>PHZ_SE</sub>  | High-to-off transition (Figure 5)      |     |     | 15  | ns    |
|   | t <sub>PLZ_SE</sub>  | Off-to-low transition (Figure 5)       |     |     | 15  |       |
| Single-Ended Receiver Enable Delay      | t <sub>PZH_SE</sub>  | Off-to-high transition (Figure 5)      |     |     | 15  | ns    |
|   | t <sub>PZL_SE</sub>  | Off-to-low transition (Figure 5)       |     |     | 15  |       |

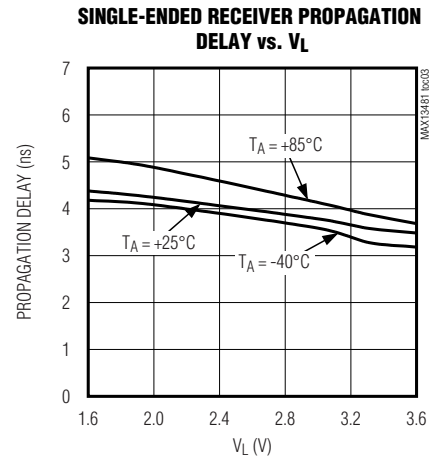
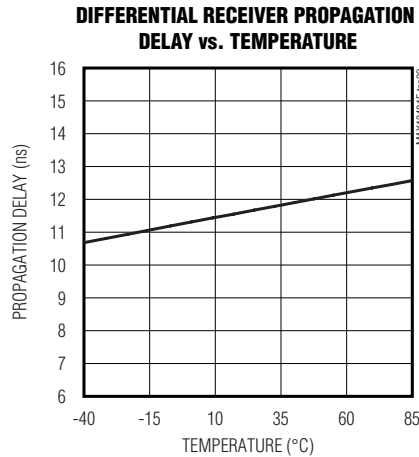
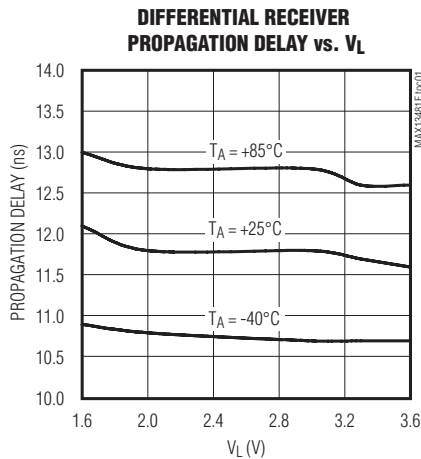
**Note 1:** Parameters are 100% production tested at +25°C, unless otherwise noted. Limits over temperature are guaranteed by design.

**Note 2:** Guaranteed by design, not production tested.

**Note 3:** Including external 27Ω series resistor.

## Typical Operating Characteristics

(V<sub>BUS</sub> = 5V, V<sub>L</sub> = +3.3V, T<sub>A</sub> = +25°C, unless otherwise noted.)



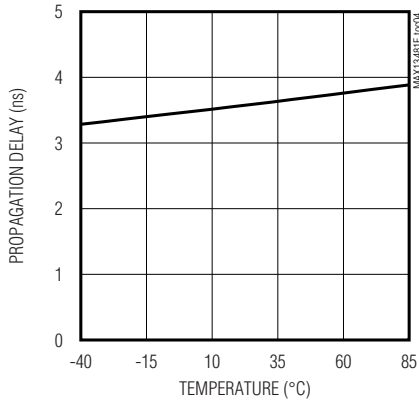
# ±15kV ESD-Protected USB Transceivers with External/Internal Pullup Resistors

## Typical Operating Characteristics (continued)

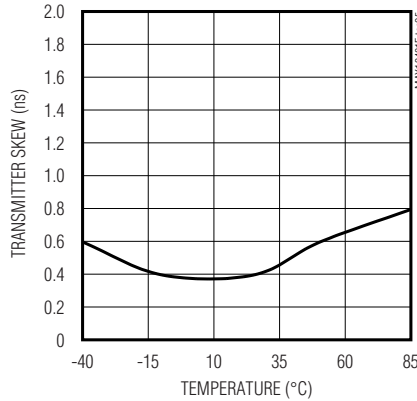
( $V_{BUS} = 5V$ ,  $V_L = +3.3V$ ,  $T_A = +25^\circ C$ , unless otherwise noted.)

MAX13481E/MAX13482E/MAX13483E

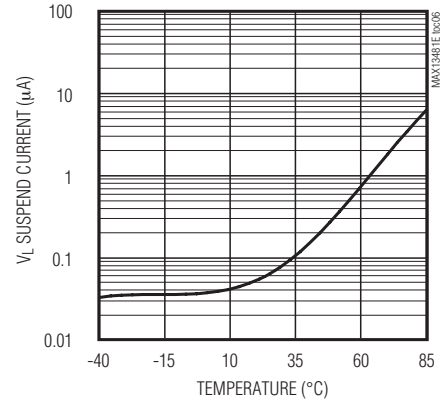
**SINGLE-ENDED RECEIVER PROPAGATION DELAY vs. TEMPERATURE**



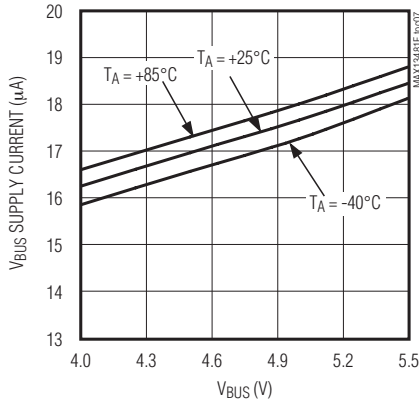
**TRANSMITTER SKEW vs. TEMPERATURE**



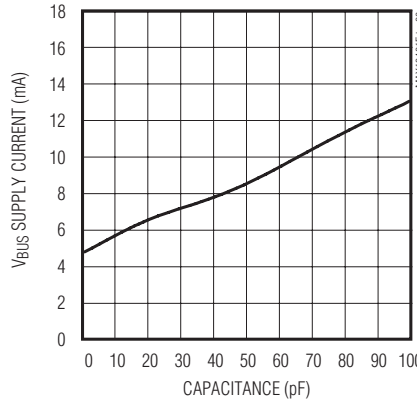
**$V_L$  SUSPEND CURRENT vs. TEMPERATURE**



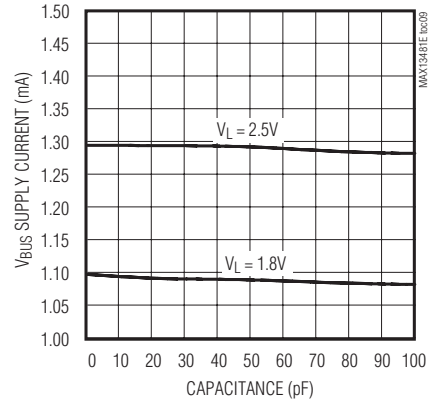
**$V_{BUS}$  SUSPEND CURRENT vs.  $V_{BUS}$**



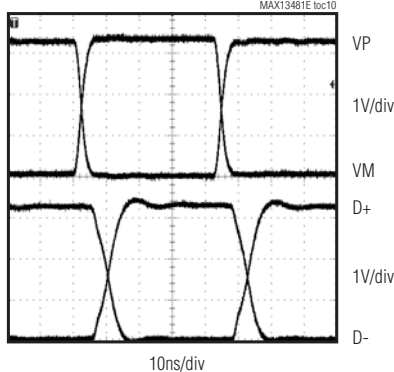
**$V_{BUS}$  SUPPLY CURRENT vs. D+/D- CAPACITANCE**



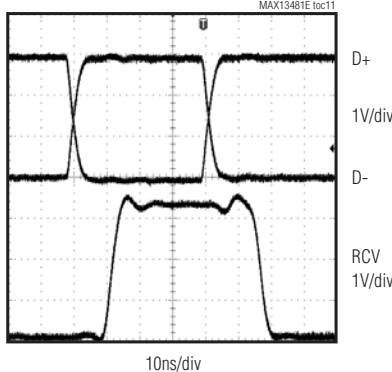
**$V_L$  SUPPLY CURRENT vs. D+/D- CAPACITANCE**



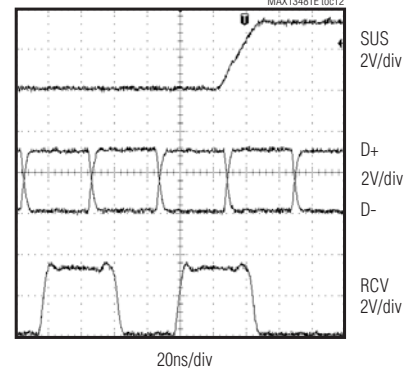
**TRANSMIT MODE ( $\overline{OE} = LOW$ )**



**RECEIVE MODE ( $\overline{OE} = HIGH$ )**



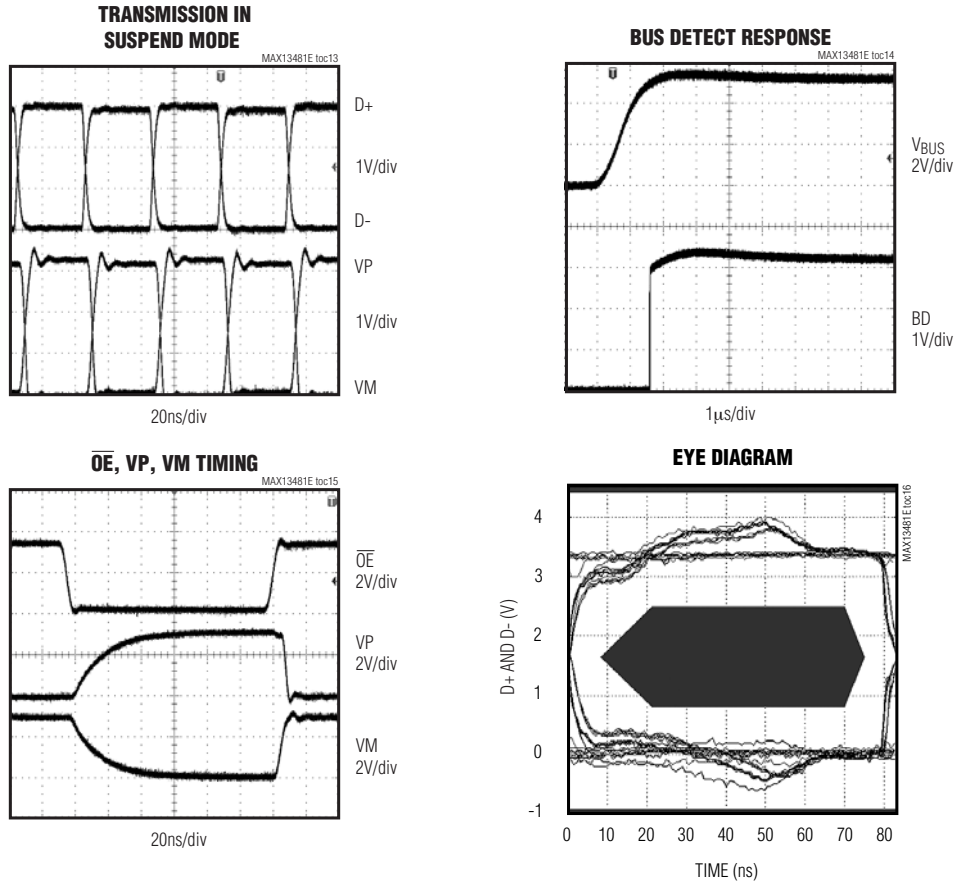
**SUSPEND MODE**



# ±15kV ESD-Protected USB Transceivers with External/Internal Pullup Resistors

## Typical Operating Characteristics (continued)

(V<sub>BUS</sub> = 5V, V<sub>L</sub> = +3.3V, T<sub>A</sub> = +25°C, unless otherwise noted.)



## Pin Description

| PIN       |           |           | NAME | FUNCTION  |
|-----------|-----------|-----------|------|---|
| MAX13481E | MAX13482E | MAX13483E |      |   |
| 8, 16     | 1, 8      | 1, 5, 8   | N.C. | No Connection. Not internally connected.  |
| 1         | —         | —         | SP   | Connect to V <sub>L</sub> for Pin Compatibility to the MIC2551A or Leave Floating. Not internally connected.  |
| 2         | 2         | 2         | RCV  | Differential Receiver Output. RCV responds to the differential input on D+ and D-. RCV asserts low when SUS = V <sub>L</sub> .  |
| 3         | 3         | 3         | VP   | Receiver Output/Driver Input. VP functions as a receiver output when OE = V <sub>L</sub> . VP duplicates D+ when receiving. VP functions as a driver input when OE = GND. |

# ±15kV ESD-Protected USB Transceivers with External/Internal Pullup Resistors

## Pin Description (continued)

| PIN |    |    | NAME              | FUNCTION   |
|-----|----|----|-------------------|--|
| 4   | 4  | 4  | VM                | Receiver Output/Driver Input. VM functions as a receiver output when $\overline{OE} = V_L$ . VM duplicates D- when receiving. VM functions as a driver input when $\overline{OE} = GND$ .  |
| 5   | 5  | —  | $\overline{ENUM}$ | Active-Low Enumerator-Function-Selection Input. $\overline{ENUM}$ controls the pullup resistor or switch connection. See the $\overline{ENUM}$ section.  |
| 6   | 6  | 6  | GND               | Ground   |
| 7   | 7  | 7  | SUS               | Suspend Input. Drive SUS low for normal operation. Drive SUS high for low-power state. RCV asserts low and D+/D- are high impedance in suspend mode. VP and VM remain active in suspend mode.  |
| 9   | 9  | 9  | $\overline{OE}$   | Output Enable. Drive $\overline{OE}$ to GND to enable the D+/D- transmitter outputs. Drive $\overline{OE}$ to $V_L$ to disable the transmitter outputs. $\overline{OE}$ also controls the I/O directions of VP and VM (see Tables 3 and 4).  |
| 10  | 10 | 10 | D-                | USB Input/Output. For $\overline{OE} = GND$ , D- functions as a USB output with VM providing the input signal. For $\overline{OE} = V_L$ , D- functions as a USB input with VM functioning as a single-ended receiver output.  |
| 11  | 11 | 11 | D+                | USB Input/Output. For $\overline{OE} = GND$ , D+ functions as a USB output with VP providing the input signal. For $\overline{OE} = V_L$ , D+ functions as a USB input with VP functioning as a single-ended receiver output.  |
| 12  | 12 | 12 | $V_{TRM}$         | Regulated Output Voltage. $V_{TRM}$ provides a 3.3V output derived from $V_{BUS}$ . Bypass $V_{TRM}$ to GND with a 1 $\mu$ F (min) low-ESR capacitor such as ceramic or plastic film types. $V_{TRM}$ provides power to internal circuitry, the internal D+ pullup resistor, VPU and VPUR. Do not use $V_{TRM}$ to power external circuitry. |
| 13  | —  | —  | VPU               | Pullup Voltage. For $\overline{ENUM} = GND$ , VPU is pulled to an internal 3.3V voltage. Connect a 1.5k $\Omega$ resistor between D+ and VPU for full-speed operation. For $\overline{ENUM} = V_L$ , VPU is high impedance.  |
| —   | —  | 13 | I.C.              | Internally Connected. Leave open. Do not connect to external circuitry.  |
| —   | 13 | —  | VPUR              | Internal Pullup Resistor. VPUR is pulled to an internal 3.3V voltage through a 1.5k $\Omega$ resistor ( $\overline{ENUM} = GND$ ). Connect VPUR to D+ for full-speed operation. For $\overline{ENUM} = V_L$ , VPUR is high impedance.  |
| 14  | 14 | 14 | $V_{BUS}$         | USB-Side Power-Supply Input. Connect a +4V to +5.5V power supply to $V_{BUS}$ . $V_{BUS}$ supplies power to the internal regulator. Bypass $V_{BUS}$ to GND with a 1 $\mu$ F ceramic capacitor. Connect $V_{BUS}$ and $V_{TRM}$ together when powering the MAX13481E/MAX13482E/MAX13483E with an external power supply.                      |
| 15  | 15 | 15 | $V_L$             | Digital Input/Output Connection Logic Supply. Connect a +1.6V to +3.6V supply to $V_L$ . Bypass $V_L$ to GND with a 0.1 $\mu$ F (min) low-ESR ceramic capacitor.   |
| —   | 16 | 16 | BD                | USB Detector Output (Push/Pull). A high at BD signals to the ASIC that $V_{BUS}$ is present.   |
| EP  | EP | EP | EP                | Exposed Paddle. Connect EP to GND.   |

MAX13481E/MAX13482E/MAX13483E

# ±15kV ESD-Protected USB Transceivers with External/Internal Pullup Resistors

## Detailed Description

The MAX13481E/MAX13482E/MAX13483E ±15kV ESD-protected USB-compliant transceivers convert single-ended or differential logic-level signals to USB signals, and USB signals to single-ended or differential logic signals. These devices fully comply to USB 2.0 when operating at full-speed (12Mbps), and operate with  $V_L$  as low as 1.6V, ensuring compatibility with low-voltage ASICs. Integrated ±15kV ESD-circuitry protection protects D+ and D- bus connections.

The MAX13481E/MAX13483E require an external 1.5kΩ pullup resistor to  $V_{TRM}$  for full-speed operation. The MAX13481E requires an external 1.5kΩ pullup resistor and feature an active-low enumeration function that connects a +3.3V voltage at  $V_{PU}$ . The MAX13482E features an active-low enumeration function that connects a 1.5kΩ pullup resistor at  $V_{PUR}$  for full-speed operation. The MAX13482E/MAX13483E also provide a bus detect (BD) output that asserts high when  $V_{BUS} > 3.6V$ .

## Applications Information

### Power-Supply Configurations

#### Normal Operating Mode

Connect  $V_L$  and  $V_{BUS}$  to system power supplies (Table 1). Connect  $V_L$  to a +1.6V to +3.6V supply. Connect  $V_{BUS}$  to a +4.0V to +5.5V supply or to the  $V_{BUS}$  connector.

Alternatively, these parts can derive power from a single Li+ cell. Connect the battery to  $V_{BUS}$ .  $V_{TRM}$  remains above +3.0V for  $V_{BUS}$  as low as +3.1V. Additionally, the devices can be powered by an external +3.3V ±10% voltage regulator. Connect  $V_{BUS}$  and  $V_{TRM}$  to an external +3.3V voltage regulator.  $V_{BUS}$  no longer consumes current to power the internal linear regulator in this configuration. The bus detect function (BD) on the MAX13482E and MAX13483E does not function when the device is powered this way.

#### Disable Mode

Connect  $V_{BUS}$  to a system power supply and leave  $V_L$  unconnected or connect to GND. D+ and D- enter a tri-state mode and  $V_{BUS}$  (or  $V_{BUS}$  and  $V_{TRM}$ ) consumes less than 20μA of supply current. D+ and D- withstand external signals up to +5.5V in disable mode (Table 2).

Table 1. Power-Supply Configuration

| $V_{BUS}$ (V)   | $V_{TRM}$ (V)       | $V_L$ (V)       | CONFIGURATION            | NOTES   |
|-----------------|---------------------|-----------------|--------------------------|---------|
| +4.0 to +5.5    | +3.0 to +3.6 output | +1.6 to +3.6    | Normal mode              | —       |
| +4.0 to +5.5    | +3.0 to +3.6 output | GND or floating | Disable mode             | Table 2 |
| GND or floating | High Z              | +1.6 to +3.6    | Sharing mode             | Table 2 |
| +3.1 to +4.5    | +3.0 to +3.6 output | +1.6 to +3.6    | Battery supply           | —       |
| +3.0 to +3.6    | +3.0 to +3.6 input  | +1.6 to +3.6    | Voltage regulator supply |         |

Table 2. Disable-Mode and Sharing-Mode Connection

| INPUTS/OUTPUTS              | DISABLE MODE                 | SHARING MODE   |
|-----------------------------|------------------------------|--|
| $V_{BUS}$ / $V_{TRM}$       | 4V to 5.5V                   | Floating or connected to GND   |
| $V_L$                       | Floating or connected to GND | 1.6V to 3.6V input   |
| D+ and D-                   | High impedance               | High impedance   |
| VP and VM                   | Invalid*                     | For $\overline{OE}$ = low, high impedance<br>For $\overline{OE}$ = high, output logic high |
| RCV                         | Invalid*                     | Undefined  |
| BD<br>(MAX13482E/MAX13483E) | Invalid*                     | Low  |

\*High impedance or logic low



# ±15kV ESD-Protected USB Transceivers with External/Internal Pullup Resistors

## Sharing Mode

Connect  $V_L$  to a system power supply and leave  $V_{BUS}$  (or  $V_{BUS}$  and  $V_{TRM}$ ) unconnected or connect to GND. D+ and D- enter a tri-state mode, allowing other circuitry to share the USB D+ and D- lines.  $V_L$  consumes less than 20 $\mu$ A of supply current. D+ and D- withstand external signals up to +5.5V in sharing mode (Table 2).

## Device Control

### $\overline{OE}$

$\overline{OE}$  controls the direction of communication. Drive  $\overline{OE}$  low to transfer data from the logic side to the USB side. For  $\overline{OE} = \text{low}$ , VP and VM serve as differential driver inputs to the USB transmitter. Drive  $\overline{OE}$  high to transfer data from the USB side to the logic side. For  $\overline{OE} = \text{high}$ , VP and VM serve as single-ended receiver outputs from the USB inputs (D+ and D-). RCV serves as a differential receiver output, regardless of the state of  $\overline{OE}$ .

### $\overline{ENUM}$ (MAX13481E/MAX13482E)

The MAX13481E/MAX13482E feature an active-low enumerate function that allows software control of the 1.5k $\Omega$  pullup resistor and switch to D+ for full-speed operation.

For the MAX13481E, connect a 1.5k $\Omega$  pullup resistor between D+ and VPU. The MAX13481E provides an internal switch that pulls VPU to a +3.3V voltage. Drive  $\overline{ENUM}$  high to disconnect VPU from voltage. Drive  $\overline{ENUM}$  low to connect VPU and the external pullup resistor to the +3.3V voltage.

The MAX13482E has an internal 1.5k $\Omega$  resistor that connects at VPUR. Connect VPUR directly to D+. Drive  $\overline{ENUM}$  high to disconnect the internal pullup resistor at VPUR. Drive  $\overline{ENUM}$  low to connect the internal pullup resistor to VPUR.

### SUS

The SUS state determines whether the MAX13481E/MAX13482E/MAX13483E operate in normal mode or in suspend mode. Connect SUS to GND to enable normal operation. Drive SUS high to enable suspend mode. RCV asserts low and VP and VM remain active in suspend mode (Tables 3 and 4). In suspend mode, supply current is reduced.

**Table 3. Transmit Truth Table ( $\overline{OE} = 0$ )**

| INPUTS |    | OUTPUTS |    |
|--------|----|---------|----|
| VP     | VM | D+      | D- |
| 0      | 0  | 0       | 0  |
| 0      | 1  | 0       | 1  |
| 1      | 0  | 1       | 0  |
| 1      | 1  | 1       | 1  |

**Table 4a. Receive Truth Table ( $\overline{OE} = 1$ )**

| INPUTS |    | OUTPUTS |    |      |
|--------|----|---------|----|------|
| D+     | D- | VP      | VM | RCV  |
| 0      | 0  | 0       | 0  | RCV* |
| 0      | 1  | 0       | 1  | 0    |
| 1      | 0  | 1       | 0  | 1    |
| 1      | 1  | 1       | 1  | X    |

\* = Last state  
X = Undefined

**Table 4b. Receive Truth Table ( $\overline{OE} = 1, \text{SUS} = 1$ )**

| INPUTS |    | OUTPUTS |    |     |
|--------|----|---------|----|-----|
| D+     | D- | VP      | VM | RCV |
| 0      | 0  | 0       | 0  | 0   |
| 0      | 1  | 0       | 1  | 0   |
| 1      | 0  | 1       | 0  | 0   |
| 1      | 1  | 1       | 1  | 0   |

MAX13481E/MAX13482E/MAX13483E

# ±15kV ESD-Protected USB Transceivers with External/Internal Pullup Resistors

## V<sub>TRM</sub>

An internal linear regulator generates the V<sub>TRM</sub> voltage (+3.3V, typ). V<sub>TRM</sub> derives power from V<sub>BUS</sub> (see the *Power-Supply Configurations* section). V<sub>TRM</sub> powers the internal portions of the USB circuitry and provides the pullup voltage for the MAX13481E/MAX13482E. Bypass V<sub>TRM</sub> to GND with a 1μF ceramic capacitor as close to the device as possible. Do not use V<sub>TRM</sub> to provide power to any other external circuitry.

## D+ and D-

D+ and D- serve as bidirectional bus connections and are ESD-protected to ±15kV (Human Body Model). For  $\overline{OE}$  = low, D+ and D- serve as transmitter outputs. For  $\overline{OE}$  = high, D+ and D- serve as receiver inputs.

## BD (MAX13482E/MAX13483E)

The push-pull bus detect (BD) output monitors V<sub>BUS</sub> and asserts high if V<sub>BUS</sub> is greater than V<sub>TH\_H</sub>. BD asserts low if V<sub>BUS</sub> is less than V<sub>TH\_L</sub>, and the MAX13482E/MAX13483E enter sharing mode (Table 2).

## V<sub>BUS</sub>

For most applications, V<sub>BUS</sub> connects to the V<sub>BUS</sub> terminal on the USB connector (see the *Power-Supply Configurations* section). V<sub>BUS</sub> can also connect to an external supply. Drive V<sub>BUS</sub> low to enable sharing mode. Bypass V<sub>BUS</sub> to GND with a 1μF ceramic capacitor as close to the device as possible.

## External Components

### External Capacitors

The MAX13481E/MAX13482E/MAX13483E require three external capacitors for proper operation. Bypass V<sub>L</sub> to GND with a 0.1μF ceramic capacitor. Bypass V<sub>BUS</sub> to GND with a 1μF ceramic capacitor. Bypass V<sub>TRM</sub> to GND with a 1μF (min) ceramic capacitor. Install all capacitors as close to the device as possible.

### External Resistor

Proper USB operation requires two external resistors, each 27Ω ±1%. Install one resistor in series between D+ of the MAX13481E/MAX13482E/MAX13483E and D+ on the USB connector. Install the other resistor in series between D- of the MAX13481E/MAX13482E/MAX13483E and D- on the USB connector (see the *Typical Operating Circuits*). The MAX13483E requires an external 1.5kΩ pullup resistor between V<sub>TRM</sub> and D+ for full-speed operation. The MAX13481E requires an external 1.5kΩ pullup resistor between V<sub>PU</sub> and D+ for full-speed operation. The MAX13482E does not require an external pullup resistor but V<sub>PUR</sub> must be connected to D+ for full-speed operation.

## Data Transfer

### Transmitting Data to the USB

To transmit data to the USB, drive  $\overline{OE}$  low. The MAX13481E/MAX13482E/MAX13483E transmit data to the USB differentially on D+ and D-. VP and VM serve as input signals to the differential driver and are also used to assert a single-ended zero (SE0) driver (see Table 3).

### Receiving Data from the USB

To receive data from the USB, drive  $\overline{OE}$  high and SUS low. Differential data received by D+ and D- appears at RCV. Single-ended receivers on D+ and D- drive VP and VM, respectively.

## RCV

RCV monitors D+ and D- when receiving data. RCV is a logic 1 for D+ high and D- low. RCV is a logic 0 for D+ low and D- high. RCV retains its last valid state when D+ and D- are both low (single-ended zero, or SE0).

## ESD Protection

D+ and D- possess extra protection against static electricity to protect the devices up to ±15kV. The ESD structures withstand high ESD in all operating modes: normal operation, suspend mode, and powered down. D+ and D- provide protection to the following limits:

- ±15kV using the Human Body Model
- ±8kV using the Contact Discharge method specified in IEC 61000-4-2
- To protect V<sub>BUS</sub> from ±15kV ESD, a 1μF or greater capacitor must be connected from V<sub>BUS</sub> to GND.

## ESD Test Conditions

ESD performance depends on a variety of conditions. Contact Maxim for a reliability report that documents test setup, test methodology, and test results.

## Human Body Model

Figure 6 shows the Human Body Model and Figure 7 shows the current waveform generated when discharged into a low impedance. This model consists of a 100pF capacitor charged to the ESD voltage of interest, which then discharges into the test device through a 1.5kΩ resistor.

## IEC 61000-4-2

The IEC 61000-4-2 standard covers ESD testing and performance of finished equipment. It does not specifically refer to integrated circuits. The major difference between tests done using the Human Body Model and IEC 61000-4-2 is a higher peak current in IEC 61000-4-2, due to lower series resistance. Hence, the ESD with-

# ±15kV ESD-Protected USB Transceivers with External/Internal Pullup Resistors

## Timing Diagrams

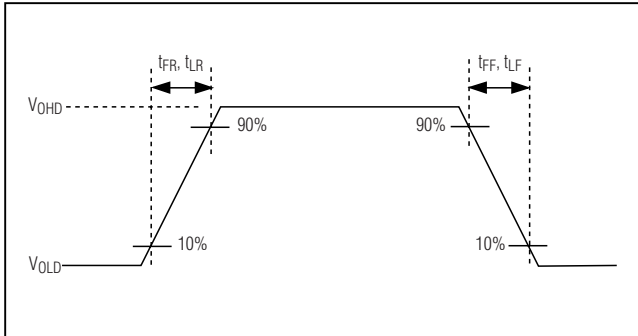


Figure 1. Rise and Fall Times

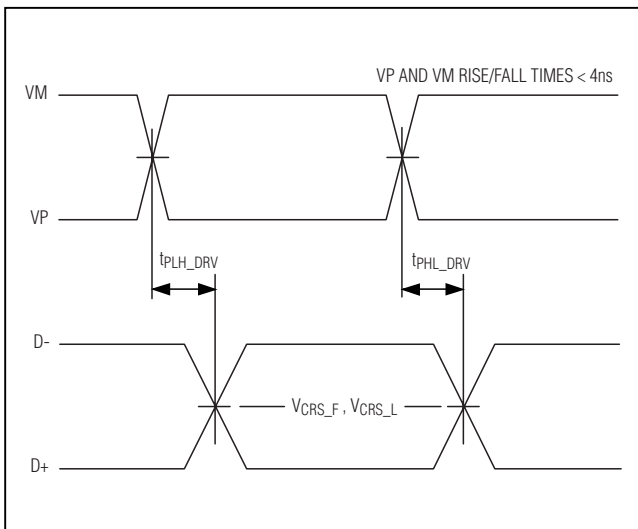


Figure 2. Timing of VP and VM to D+ and D-

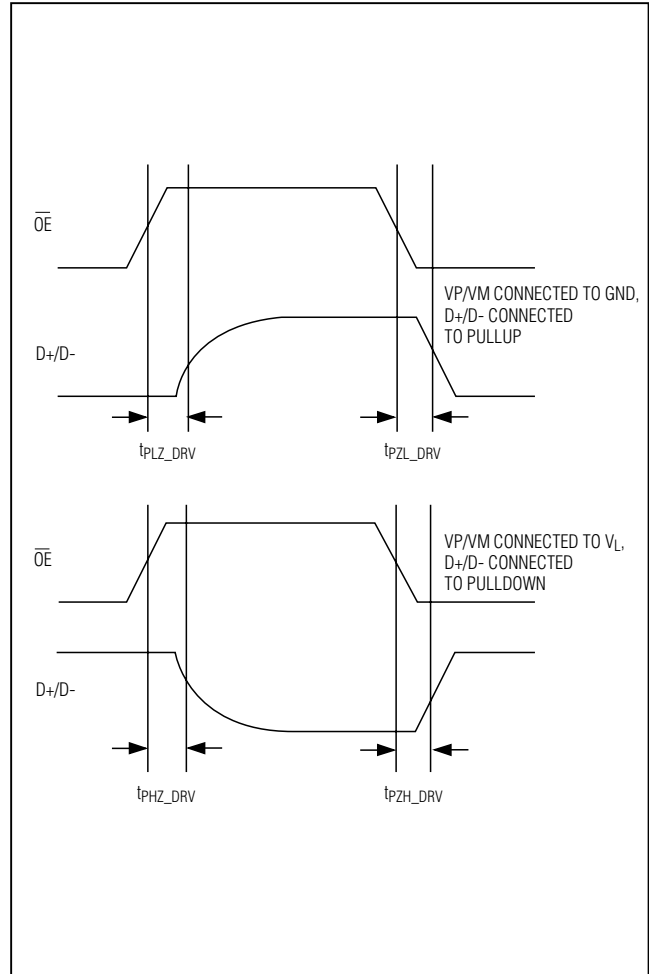


Figure 3. Driver's Enable and Disable Timing

stand voltage measured to IEC 61000-4-2 generally is lower than that measured using the Human Body Model. Figure 8 shows the IEC 61000-4-2 model. The Contact Discharge method connects the probe to the device before the probe is charged.

### Machine Model

The Machine Model for ESD tests all connections using a 200pF storage capacitor and zero discharge resis-

tance. Its objective is to emulate the stress caused by contact that occurs with handling and assembly during manufacturing. All pins require this protection during manufacturing, not just inputs and outputs. After PC board assembly, the Machine Model is less relevant to I/O ports.

MAX13481E/MAX13482E/MAX13483E

# ±15kV ESD-Protected USB Transceivers with External/Internal Pullup Resistors

## Timing Diagrams (continued)

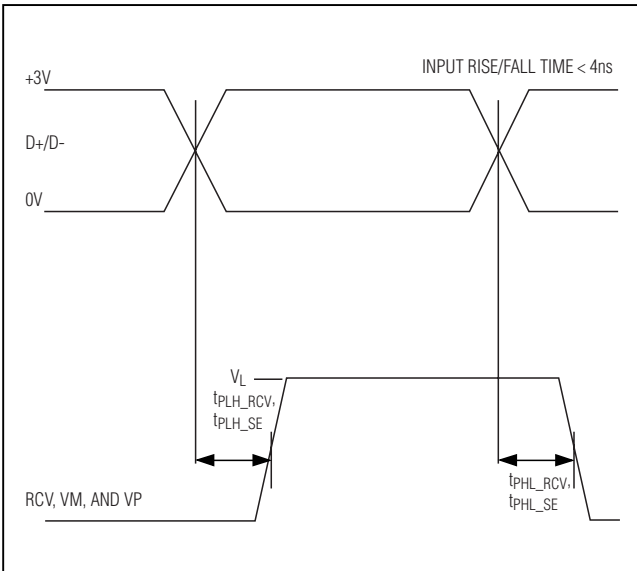


Figure 4. D+/D- Timing to VP, VM, and RCV

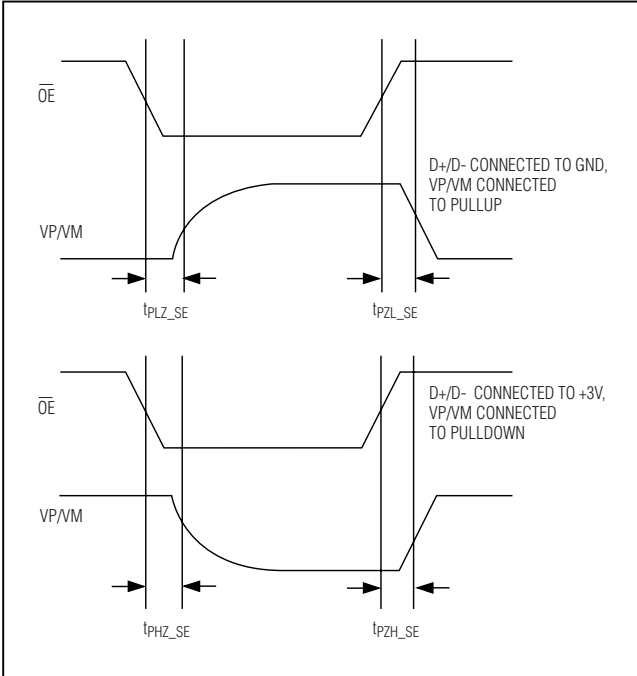


Figure 5. Receiver's Enable and Disable Timing

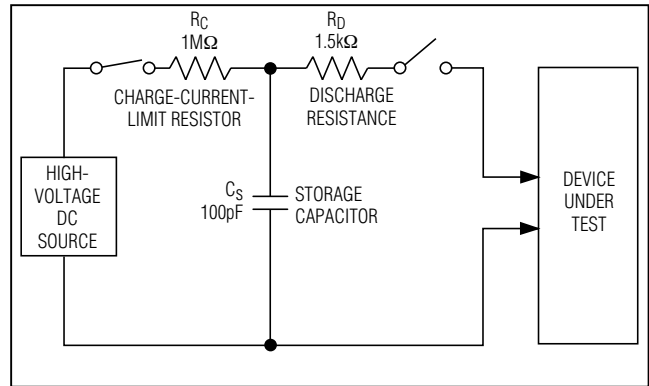


Figure 6. Human Body ESD Test Model

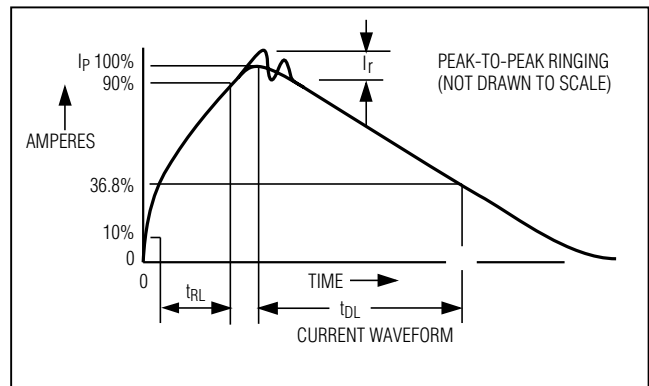


Figure 7. Human Body Model Current Waveform

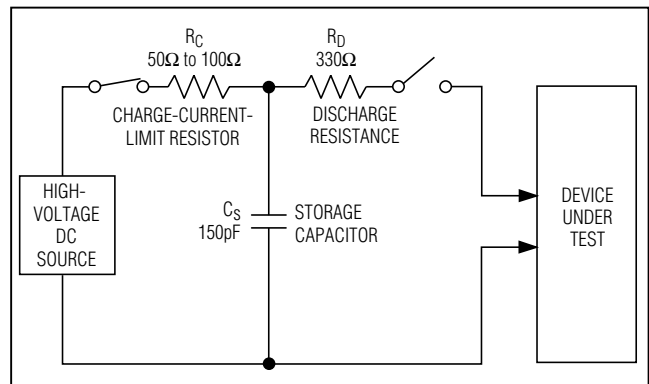


Figure 8. IEC 61000-4-2 ESD Test Model

# ±15kV ESD-Protected USB Transceivers with External/Internal Pullup Resistors

## Test Circuits

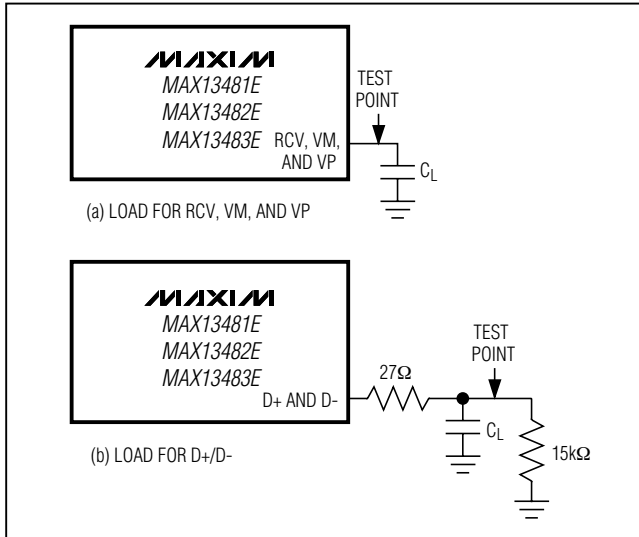


Figure 9. Transmitter and Receiver Propagation Delay

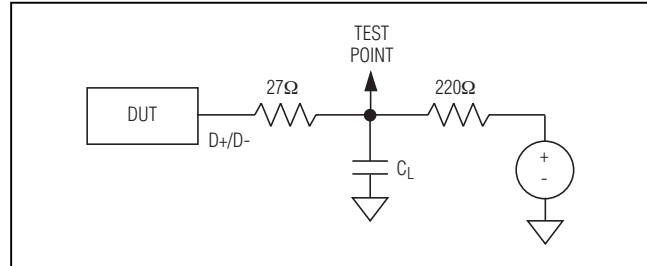


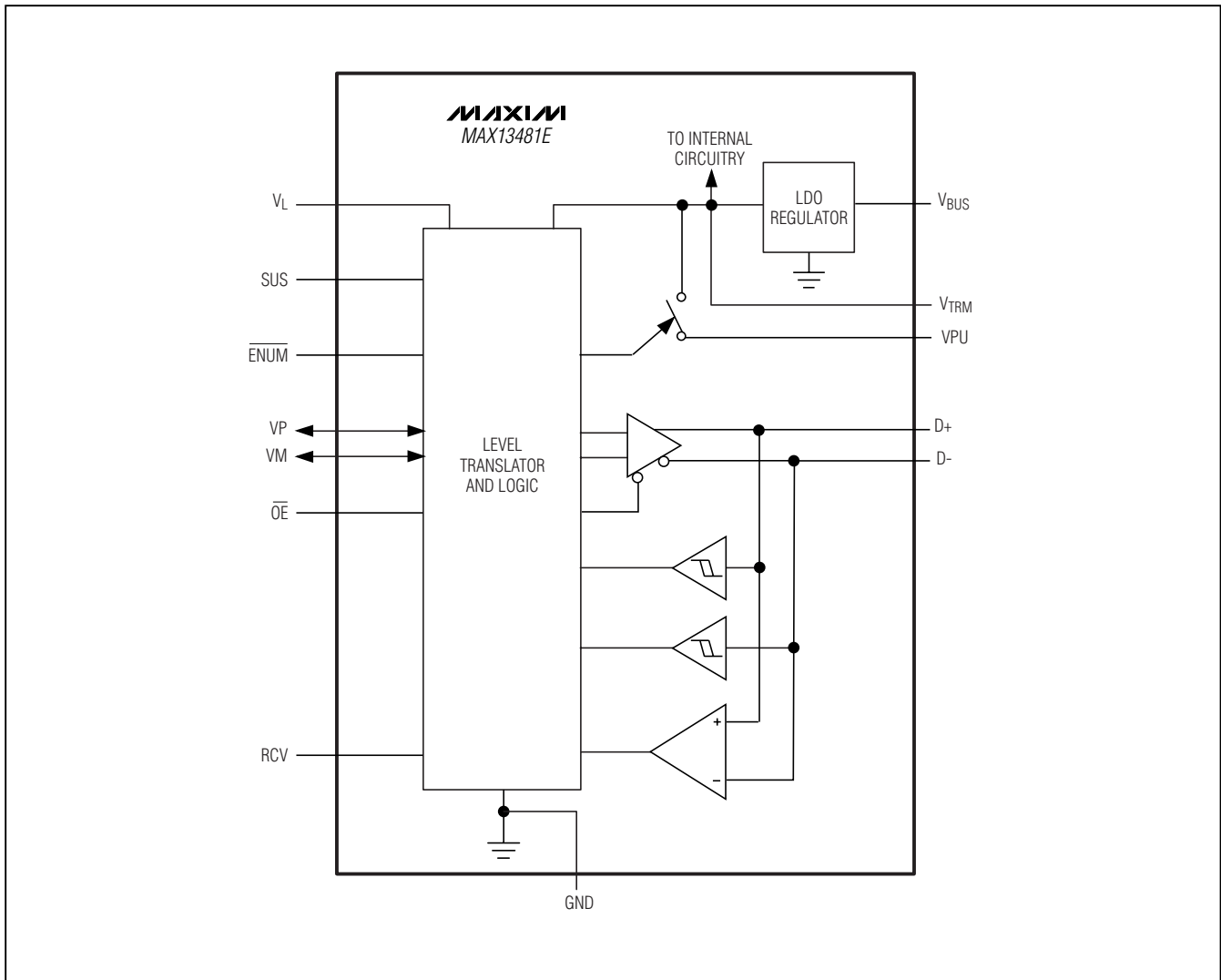
Figure 10. Driver's Enable and Disable Timing

MAX13481E/MAX13482E/MAX13483E

# ±15kV ESD-Protected USB Transceivers with External/Internal Pullup Resistors

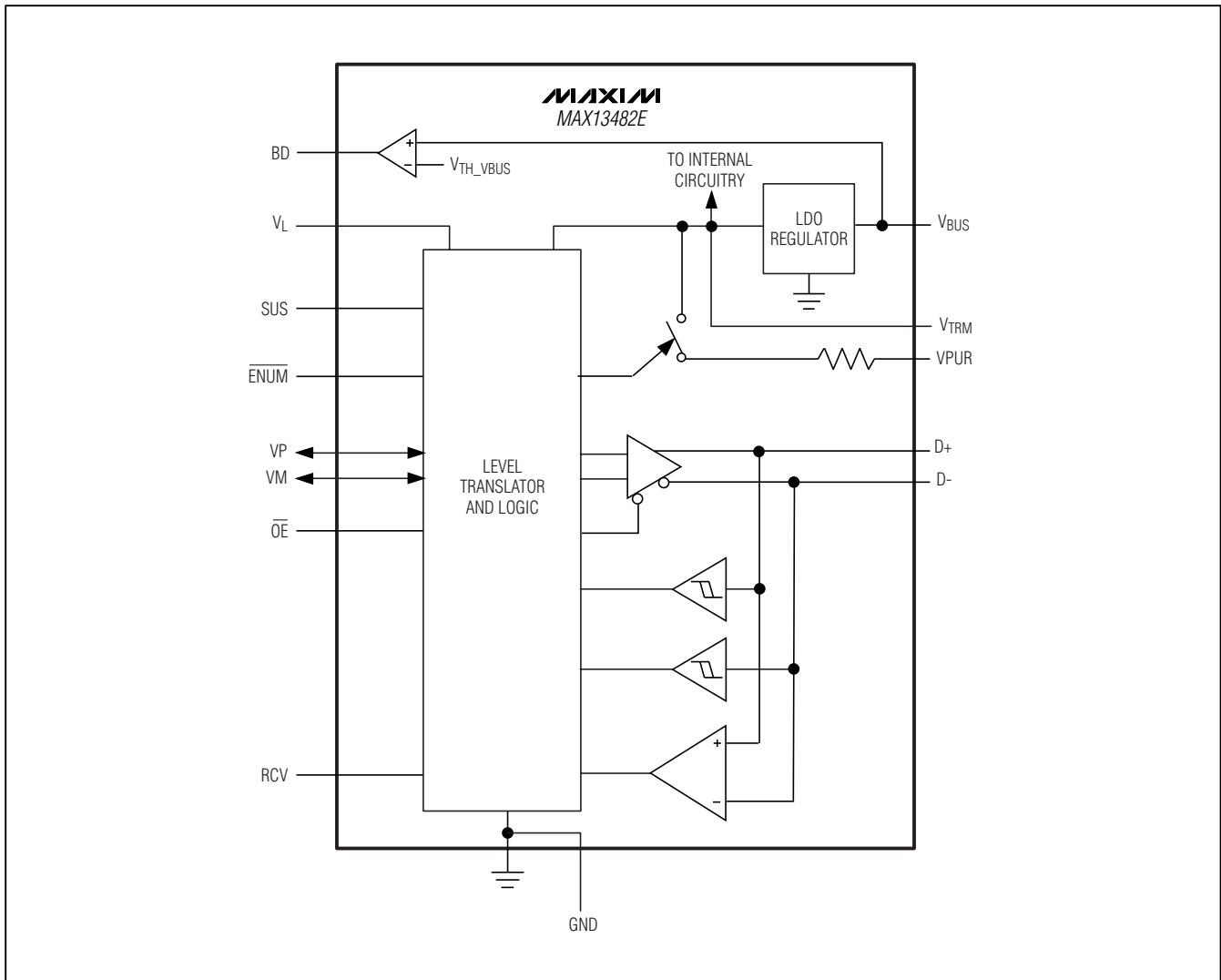
## Functional Diagrams

**MAX13481E/MAX13482E/MAX13483E**



# ±15kV ESD-Protected USB Transceivers with External/Internal Pullup Resistors

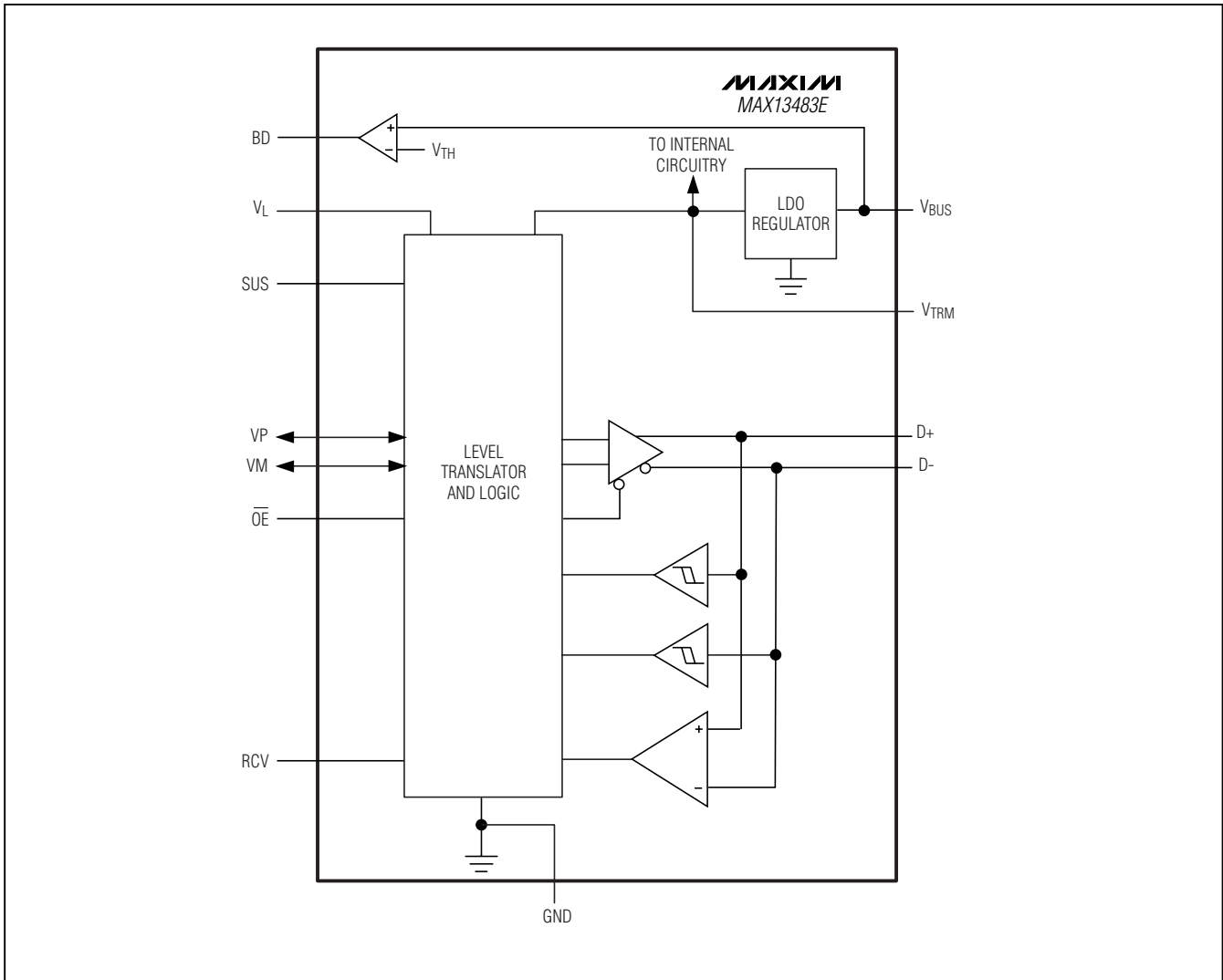
## Functional Diagrams (continued)



MAX13481E/MAX13482E/MAX13483E

# **±15kV ESD-Protected USB Transceivers with External/Internal Pullup Resistors**

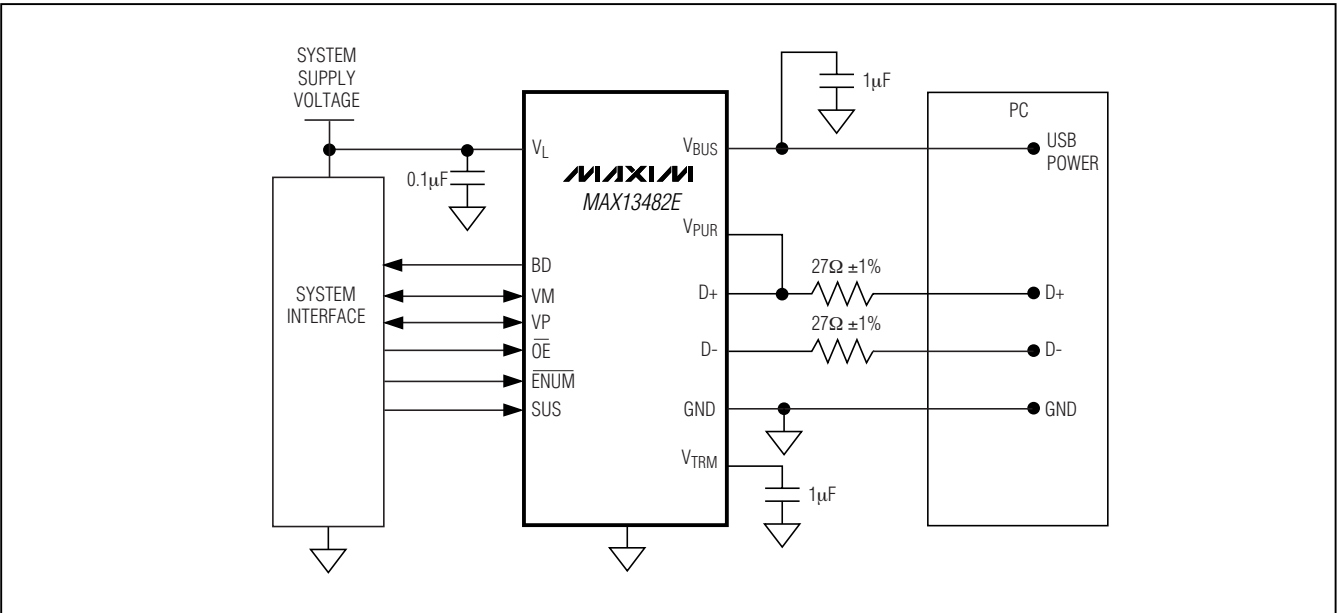
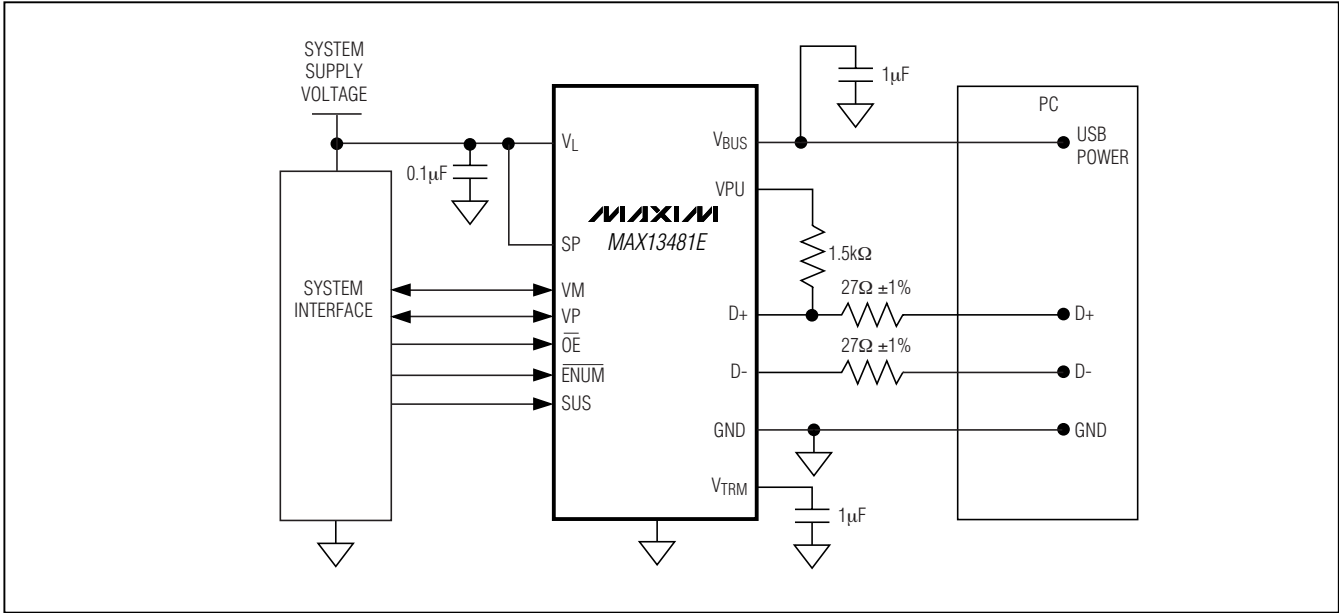
## **Functional Diagrams (continued)**





# ±15kV ESD-Protected USB Transceivers with External/Internal Pullup Resistors

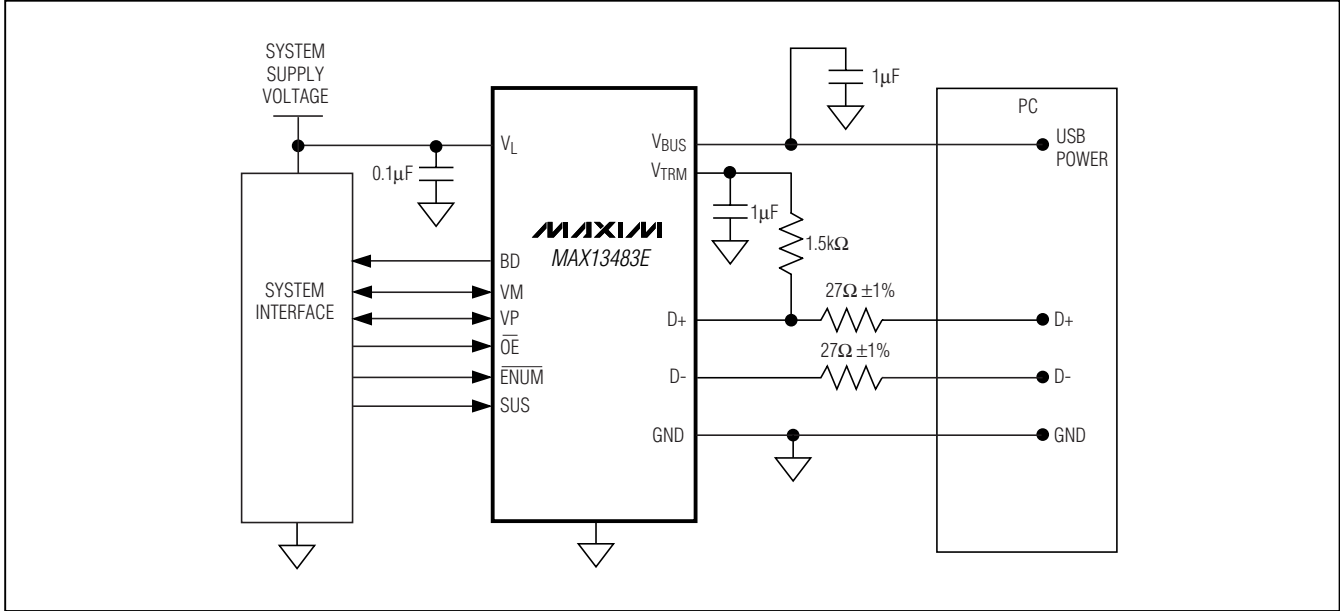
## Typical Operating Circuits



MAX13481E/MAX13482E/MAX13483E

# ±15kV ESD-Protected USB Transceivers with External/Internal Pullup Resistors

## Typical Operating Circuits (continued)



## Chip Information

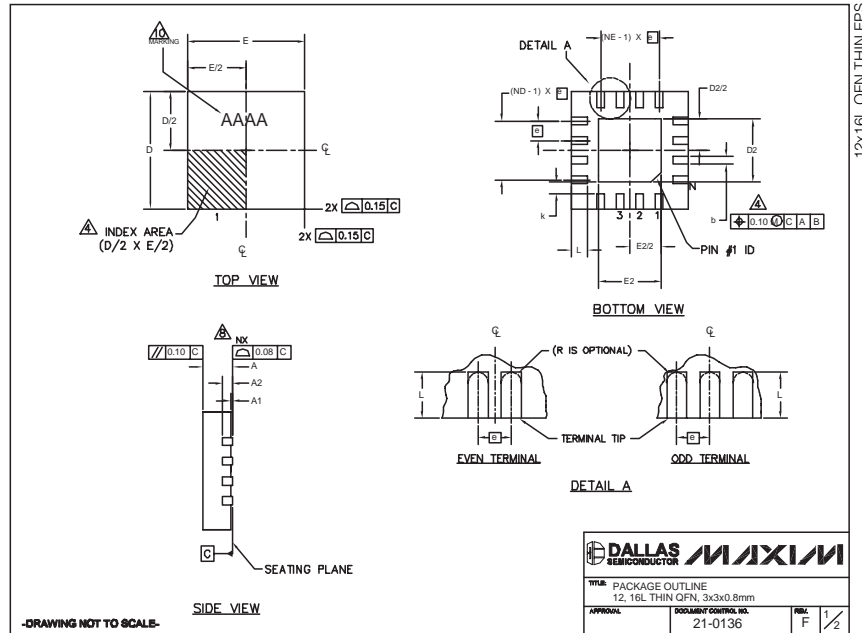
PROCESS: BiCMOS

# ±15kV ESD-Protected USB Transceivers with External/Internal Pullup Resistors

## Package Information

(The package drawing(s) in this data sheet may not reflect the most current specifications. For the latest package outline information go to [www.maxim-ic.com/packages](http://www.maxim-ic.com/packages).)

MAX13481E/MAX13482E/MAX13483E



| PKG REF. | 12L 3x3   |      |      | 16L 3x3   |      |      |
|----------|-----------|------|------|-----------|------|------|
|          | MIN.      | NOM. | MAX. | MIN.      | NOM. | MAX. |
| A        | 0.70      | 0.75 | 0.80 | 0.70      | 0.75 | 0.80 |
| b        | 0.20      | 0.25 | 0.30 | 0.20      | 0.25 | 0.30 |
| D        | 2.90      | 3.00 | 3.10 | 2.90      | 3.00 | 3.10 |
| E        | 2.90      | 3.00 | 3.10 | 2.90      | 3.00 | 3.10 |
| e        | 0.50 BSC. |      |      | 0.50 BSC. |      |      |
| L        | 0.45      | 0.55 | 0.65 | 0.30      | 0.40 | 0.50 |
| N        | 12        |      |      | 16        |      |      |
| ND       | 3         |      |      | 4         |      |      |
| NE       | 3         |      |      | 4         |      |      |
| A1       | 0         | 0.02 | 0.05 | 0         | 0.02 | 0.05 |
| A2       | 0.20 REF  |      |      | 0.20 REF  |      |      |
| k        | 0.25      | -    | -    | 0.25      | -    | -    |

| PKG CODES | D2   |      |      | E2   |      |      | PIN ID      | JEDEC  | DOWN BONDS ALLOWED |
|-----------|------|------|------|------|------|------|-------------|--------|--------------------|
|           | MIN. | NOM. | MAX. | MIN. | NOM. | MAX. |             |        |                    |
| T1233-1   | 0.95 | 1.10 | 1.25 | 0.95 | 1.10 | 1.25 | 0.35 x 45°  | WEED-1 | NO                 |
| T1233-3   | 0.95 | 1.10 | 1.25 | 0.95 | 1.10 | 1.25 | 0.35 x 45°  | WEED-1 | YES                |
| T1233-4   | 0.95 | 1.10 | 1.25 | 0.95 | 1.10 | 1.25 | 0.35 x 45°  | WEED-1 | YES                |
| T1633-1   | 0.95 | 1.10 | 1.25 | 0.95 | 1.10 | 1.25 | 0.35 x 45°  | WEED-2 | NO                 |
| T1633-2   | 0.95 | 1.10 | 1.25 | 0.95 | 1.10 | 1.25 | 0.35 x 45°  | WEED-2 | YES                |
| T1633F-3  | 0.65 | 0.80 | 0.95 | 0.65 | 0.80 | 0.95 | 0.225 x 45° | WEED-2 | N/A                |
| T1633FH-3 | 0.65 | 0.80 | 0.95 | 0.65 | 0.80 | 0.95 | 0.225 x 45° | WEED-2 | N/A                |
| T1633-4   | 0.95 | 1.10 | 1.25 | 0.95 | 1.10 | 1.25 | 0.35 x 45°  | WEED-2 | NO                 |

**NOTES:**

- DIMENSIONING & TOLERANCING CONFORM TO ASME Y14.5M-1994.
- ALL DIMENSIONS ARE IN MILLIMETERS. ANGLES ARE IN DEGREES.
- N IS THE TOTAL NUMBER OF TERMINALS.
- THE TERMINAL #1 IDENTIFIER AND TERMINAL NUMBERING CONVENTION SHALL CONFORM TO JEDEC 95-1 SPP-012. DETAILS OF TERMINAL #1 IDENTIFIER ARE OPTIONAL, BUT MUST BE LOCATED WITHIN THE ZONE INDICATED. THE TERMINAL #1 IDENTIFIER MAY BE EITHER A MOLD OR MARKED FEATURE.
- DIMENSION b APPLIES TO METALLIZED TERMINAL AND IS MEASURED BETWEEN 0.20 mm AND 0.25 mm FROM TERMINAL TIP.
- ND AND NE REFER TO THE NUMBER OF TERMINALS ON EACH D AND E SIDE RESPECTIVELY.
- DEPOPULATION IS POSSIBLE IN A SYMMETRICAL FASHION.
- COPLANARITY APPLIES TO THE EXPOSED HEAT SINK SLUG AS WELL AS THE TERMINALS.
- DRAWING CONFORMS TO JEDEC MO220 REVISION C.
- MARKING IS FOR PACKAGE ORIENTATION REFERENCE ONLY
- NUMBER OF LEADS SHOWN ARE FOR REFERENCE ONLY

**DALLAS SEMICONDUCTOR MAXIM**

TITLE PACKAGE OUTLINE  
12, 16L THIN QFN, 3x3x0.8

APPROVAL DOCUMENT CONTROL NO. 21-0136

REV. F 2/2

**-DRAWING NOT TO SCALE-**

Maxim cannot assume responsibility for use of any circuitry other than circuitry entirely embodied in a Maxim product. No circuit patent licenses are implied. Maxim reserves the right to change the circuitry and specifications without notice at any time.

Maxim Integrated Products, 120 San Gabriel Drive, Sunnyvale, CA 94086 408-737-7600 19

© 2006 Maxim Integrated Products Printed USA MAXIM is a registered trademark of Maxim Integrated Products, Inc.