

MAX16815/MAX16828

High-Voltage, 100mA/200mA Adjustable Linear High-Brightness LED Drivers with PWM Dimming

General Description

The MAX16815/MAX16828 current regulators operate from a 6.5V to 40V input voltage range and deliver up to 100mA (MAX16815) or 200mA (MAX16828) to high-brightness LED (HB LED) loads. The output current is adjusted by using an external current-sense resistor in series with the LEDs. The MAX16815/MAX16828's dimming input allows wide-range "pulsed" PWM operation. An on-board pass element minimizes external components while providing $\pm 3.5\%$ output-current accuracy.

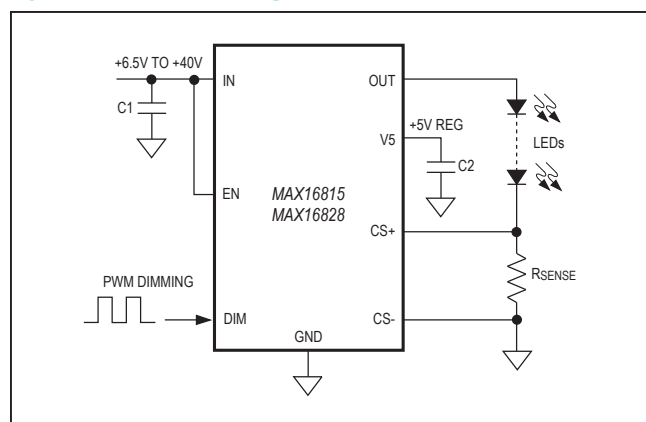
The MAX16815/MAX16828 are available in a thermally enhanced, 3mm x 3mm, 6-pin TDFN package with exposed pad and in an 8-pin SO package with exposed pad; they are specified over the automotive -40°C to $+125^{\circ}\text{C}$ temperature range.

Applications

- Emergency Vehicle Warning Lights
- Signage and Indicators
- Ambient and Architectural Lighting
- LED Bulbs
- Display Backlighting

Pin Configurations appear at end of data sheet.

Typical Operating Circuit



Features

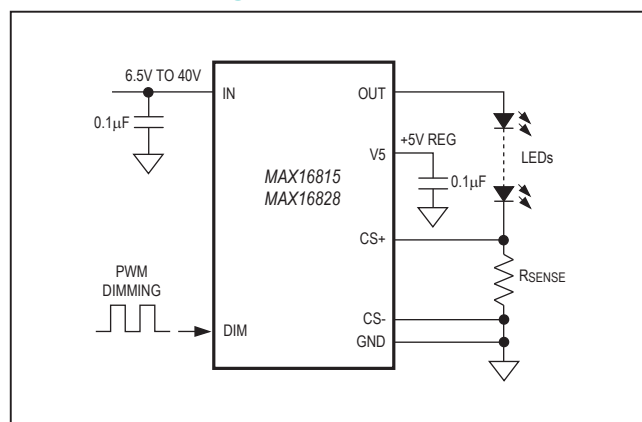
- 6.5V to 40V Operating Range
- Adjustable LED Current
 - MAX16815: 35mA to 100mA
 - MAX16828: 35mA to 200mA
- $\pm 3.5\%$ LED Current Accuracy
- High-Voltage DIM Input for Dimming Interface
- Integrated Pass Element with Low-Dropout Voltage (0.4V typ)
- 5V Regulated Output with 4mA Source Capability
- Thermal Shutdown
- Output Short-Circuit Protection
- Available in Small, Thermally Enhanced, 3mm x 3mm, 6-Pin TDFN and 8-Pin SO with Exposed Pad Packages
- -40°C to $+125^{\circ}\text{C}$ Operating Temperature Range

Ordering Information

PART	TEMP RANGE	PIN-PACKAGE
MAX16815ATT+	-40°C to $+125^{\circ}\text{C}$	6 TDFN-EP*
MAX16815ASA+	-40°C to $+125^{\circ}\text{C}$	8 SO-EP*
MAX16828ATT+	-40°C to $+125^{\circ}\text{C}$	6 TDFN-EP*
MAX16828ASA+	-40°C to $+125^{\circ}\text{C}$	8 SO-EP*

+Denotes a lead(Pb)-free/RoHS-compliant package.
*EP = Exposed pad.

Simplified Diagram



Absolute Maximum Ratings

IN to GND.....	-0.3V to +45V	Operating Temperature Range.....	-40°C to +125°C
CS+, CS-, V5 to GND	-0.3V to +6V	Junction Temperature.....	+150°C
DIM, EN to GND.....	-0.3V to (V _{IN} + 0.3V)	Junction-to-Case Thermal Resistance (θ _{JC}) (Note 1)	
OUT Short Circuited to GND Duration (at V _{IN} = +16V).....	60 minutes	6-Pin, 3mm x 3mm TDFN.....	9°C/W
Maximum Current into Any Pin (except IN and OUT).....	±20mA	8-Pin SO	7°C/W
Continuous Power Dissipation (T _A = +70°C)		Junction-to-Ambient Thermal Resistance (θ _{JA}) (Note 1)	
6-Pin, 3mm x 3mm TDFN		6-Pin, 3mm x 3mm TDFN.....	42°C/W
derate 18.2mW/°C above +70°C).....	1454.5mW	8-Pin SO	43°C/W
8-Pin SO (derate 23.3mW/°C above +70°C).....	1860.5mW	Storage Temperature Range.....	-60°C to +150°C
		Lead Temperature (soldering, 10s)	+300°C

Note 1: Package thermal resistances were obtained using the method described in JEDEC specification JESD51-7, using a four-layer board. For detailed information on package thermal considerations, refer to www.maximintegrated.com/thermal-tutorial.

Stresses beyond those listed under "Absolute Maximum Ratings" may cause permanent damage to the device. These are stress ratings only, and functional operation of the device at these or any other conditions beyond those indicated in the operational sections of the specifications is not implied. Exposure to absolute maximum rating conditions for extended periods may affect device reliability.

Electrical Characteristics

(V_{IN} = 12V, V_{EN} = 12V (SO only), C_{V5} = 0.1µF to GND, I_{V5} = 0, V_{DIM} = 4V, V_{CS-} = 0V (SO only), connect R_{SENSE} = 2Ω (MAX16815) and R_{SENSE} = 1Ω (MAX16828) between CS+ and GND. T_A = -40°C to +125°C, unless otherwise noted. Typical values are at T_A = +25°C.) (Note 2)

PARAMETER	SYMBOL	CONDITIONS	MIN	TYP	MAX	UNITS
Supply Voltage Range	V _{IN}	(Note 3)	6.5		40.0	V
Ground Current	I _G	I _{LOAD} = 100mA		0.82	2	mA
		I _{LOAD} = 200mA		1	2	
Shutdown Supply Current	I _{SHDN}	V _{EN} ≤ 0.6V (SO only)		35	70	µA
Guaranteed Output Current	I _{OUT}	R _{SENSE} = 2_ (MAX16815)	100			mA
		R _{SENSE} = 1_ (MAX16828)	200			
Output Current Accuracy		35mA < I _{OUT} < 100mA (MAX16815)		±3.5		%
		35mA < I _{OUT} < 200mA (MAX16828)		±3.5		
Dropout Voltage	ΔV _{DO}	I _{OUT} = 100mA (current pulsed), 12V < V _{IN} < 40V (MAX16815) (Note 4)		0.1	0.4	V
		I _{OUT} = 100mA (current pulsed), 6.5V < V _{IN} < 12V (MAX16815) (Note 4)		0.1	0.6	
		I _{OUT} = 200mA (current pulsed), 12V < V _{IN} < 40V (MAX16828) (Note 5)		0.27	0.55	
		I _{OUT} = 200mA (current pulsed), 6.5V < V _{IN} < 12V (MAX16828) (Note 5)		0.27	0.7	
Output Current Slew Rate		Current rising		9.7		mA/µs
		Current falling		9.7		
Short-Circuit Current		V _{OUT} = 0V, V _{IN} = 12V, MAX16815	130	200	270	mA
		V _{OUT} = 0V, V _{IN} = 12V, MAX16828	250	300	350	
EN INPUT (SO ONLY)						
EN Input Current	I _{EN}		-2.5	-1	-0.2	µA
EN Input Voltage High	V _{IH}		2.8			V
EN Input Voltage Low	V _{IL}				0.6	V

Electrical Characteristics (continued)

($V_{IN} = 12V$, $V_{EN} = 12V$ (SO only), $C_{V5} = 0.1\mu F$ to GND, $I_{V5} = 0$, $V_{DIM} = 4V$, $V_{CS-} = 0V$ (SO only), connect $R_{SENSE} = 2\Omega$ (MAX16815) and $R_{SENSE} = 1\Omega$ (MAX16828) between CS+ and GND. $T_A = -40^\circ C$ to $+125^\circ C$, unless otherwise noted. Typical values are at $T_A = +25^\circ C$.) (Note 2)

PARAMETER	SYMBOL	CONDITIONS	MIN	TYP	MAX	UNITS
CURRENT SENSE						
Regulated R_{SENSE} Voltage	V_{RSNS}	$V_{RSNS} = V_{CS+}$ for TDFN package; $V_{RSNS} = V_{CS+} - V_{CS-}$ for SO package	193	200	207	mV
CS- Voltage Range		SO only	-0.3		+4.7	V
Input Current (CS+)		$V_{CS+} = 220mV$		2.7	7	μA
Input Current (CS-)		$V_{CS+} = 220mV$ (SO only)	-50	17.2		μA
DIM Input Current		$V_{DIM} = 0V$	-2.5	-1.0	-0.2	μA
DIM Input-Voltage High	V_{IH}		2.8			V
DIM Input-Voltage Low	V_{IL}				0.6	V
Turn-On Time	t_{ON}	After V_{DIM} rising to 4V (Note 7)			100	μs
Turn-Off Time	t_{OFF}	After V_{DIM} falling to 0.6V (Note 7)			55	μs
THERMAL OVERLOAD						
Thermal-Shutdown Temperature				+159		$^\circ C$
Thermal-Shutdown Hysteresis				24		$^\circ C$
+5V REGULATOR						
Output-Voltage Load Regulation	V_{V5}	(Note 8)	4.8	5.0	5.2	V
Output Voltage	ΔV_{V5}	$0 < I_{V5} < 4mA$		12	20	mV/mA
V5 Short-Circuit Current		$V_{V5} = 0$ (Note 9)		15		mA

Note 2: All devices are 100% production tested at $T_A = +25^\circ C$. Limits over the operating temperature range are guaranteed by design.

Note 3: Resistors were added from OUT to CS+ to aid with power dissipation.

Note 4: Dropout is measured as follows:

Connect R_O from OUT to CS+. Connect $R_{SENSE} = 2\Omega$ (MAX16815) from CS+ to GND (for TDFN) or from CS+ to CS- (for SO). Set $V_{IN} = 12V$ (record $V_{OUT1} = V_{OUT}$). For $V_{IN} = 40V$, use $R_O = 360\Omega$; for $V_{IN} = 6.5V$, use $R_O = 56\Omega$. Reduce V_{IN} until $V_{OUT} = 0.97 \times V_{OUT1}$ (record as V_{IN2} and V_{OUT2}). $DVDO = V_{IN2} - V_{OUT2}$.

Note 5: Dropout is measured as follows:

Connect R_O from OUT to CS+. Connect $R_{SENSE} = 1\Omega$ (MAX16828) from CS+ to GND (for TDFN) or from CS+ to CS- (for SO). Set $V_{IN} = 12V$ (record $V_{OUT1} = V_{OUT}$). For $V_{IN} = 40V$, use $R_O = 180\Omega$; for $V_{IN} = 6.5V$, use $R_O = 27\Omega$. Reduce V_{IN} until $V_{OUT} = 0.97 \times V_{OUT1}$ (record as V_{IN2} and V_{OUT2}). $\Delta V_{DO} = V_{IN2} - V_{OUT2}$.

Note 6: $I_{V5} = 0mA$.

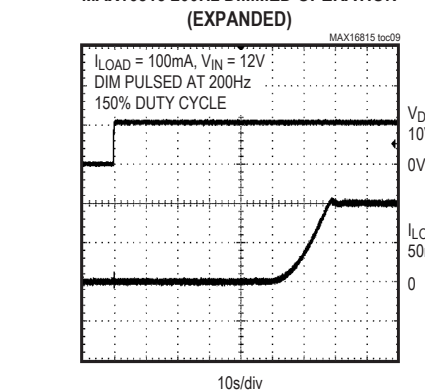
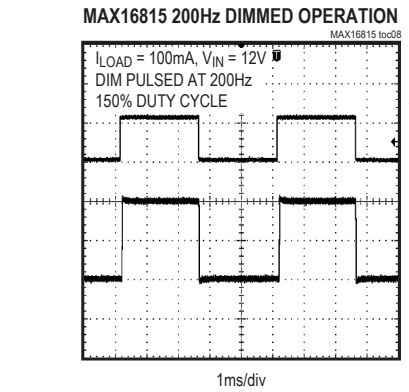
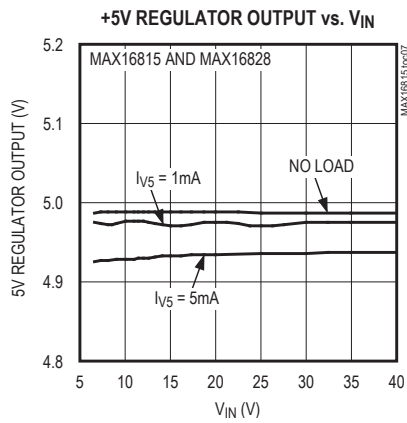
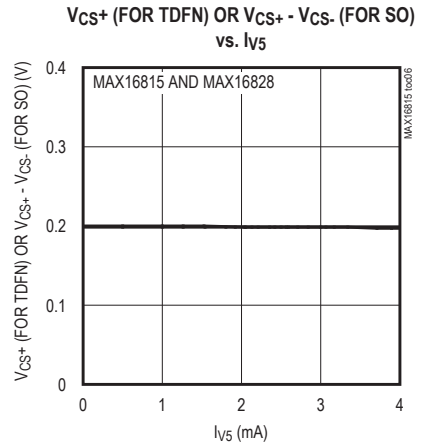
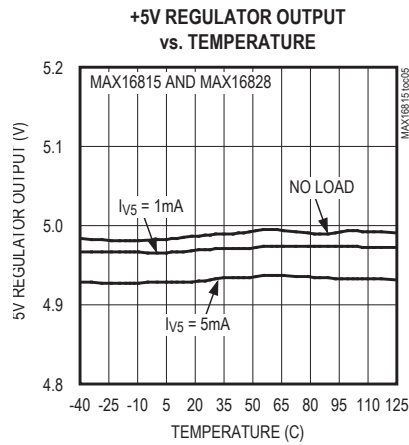
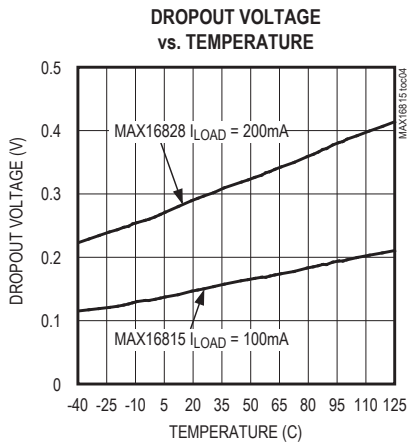
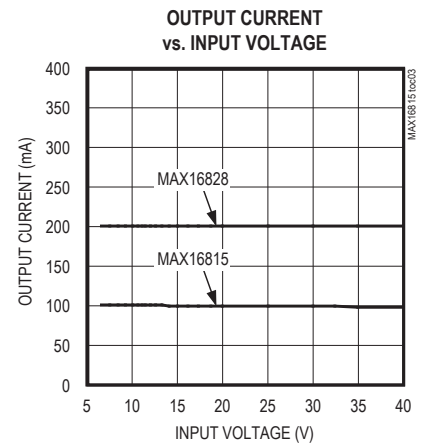
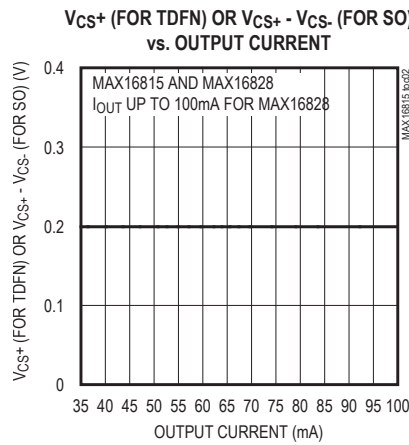
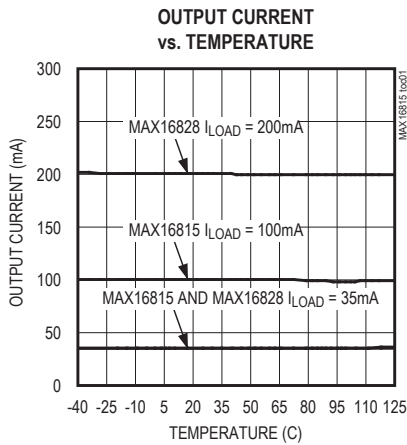
Note 7: t_{ON} time includes the delay and the rise time needed for I_{OUT} to reach 90% of its final value. t_{OFF} time is the time needed for I_{OUT} to drop below 10%. See the Typical Operating Characteristics. t_{ON} and t_{OFF} are tested with 100Ω (MAX16815) or 51Ω (MAX16828) from OUT to CS+.

Note 8: Current regulation varies with V5 load (see the Typical Operating Characteristics).

Note 9: Thermal shutdown does not function if V5 is shorted to ground.

Typical Operating Characteristics

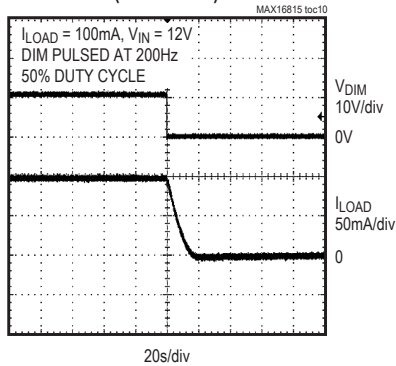
($V_{IN} = 12V$, $T_A = +25^\circ C$, unless otherwise noted.)



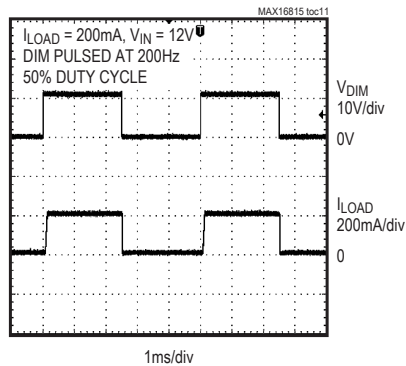
Typical Operating Characteristics (continued)

($V_{IN} = 12V$, $T_A = +25^\circ C$, unless otherwise noted.)

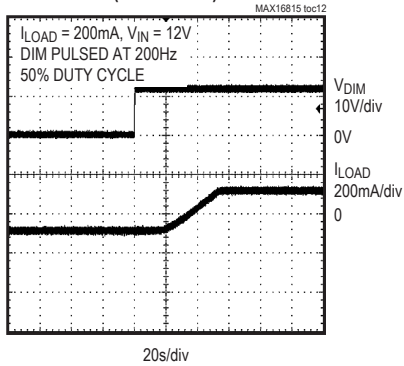
MAX16815 200Hz DIMMED OPERATION (EXPANDED)



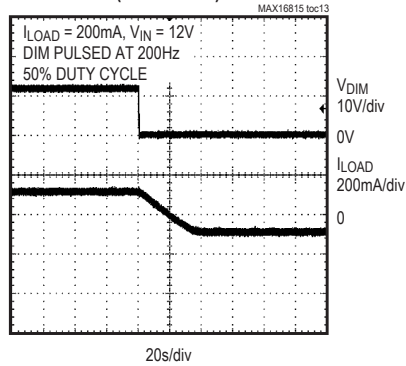
MAX16828 200Hz DIMMED OPERATION



MAX16828 200Hz DIMMED OPERATION (EXPANDED)



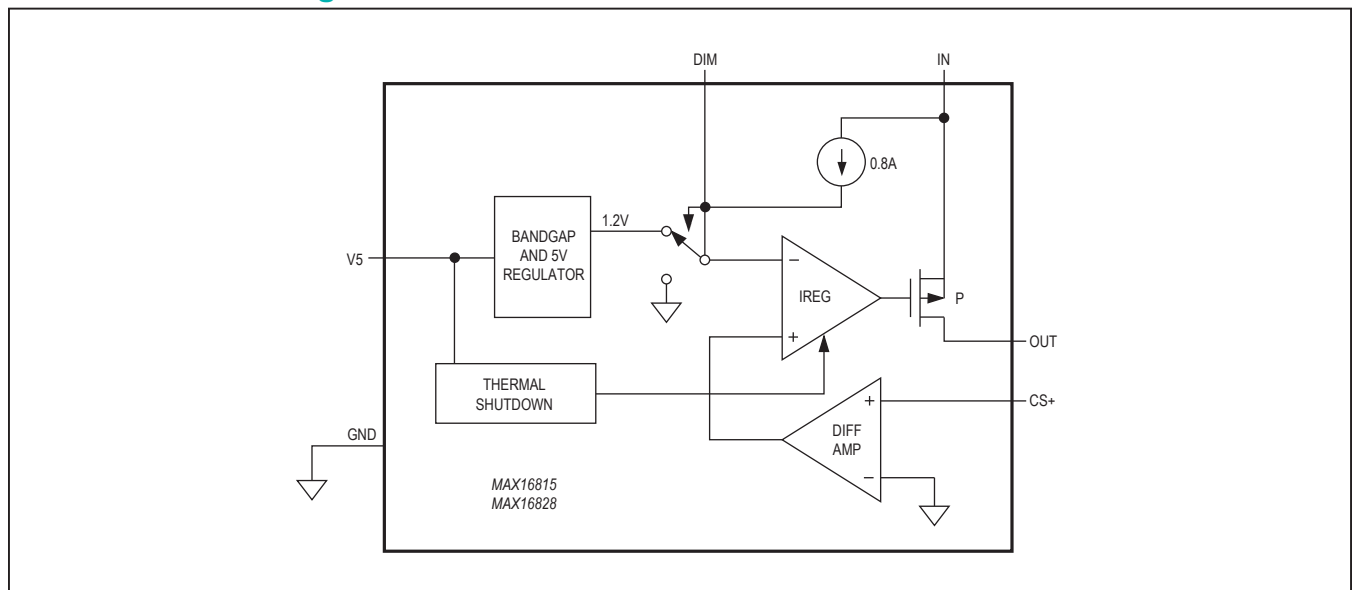
MAX16828 200Hz DIMMED OPERATION (EXPANDED)



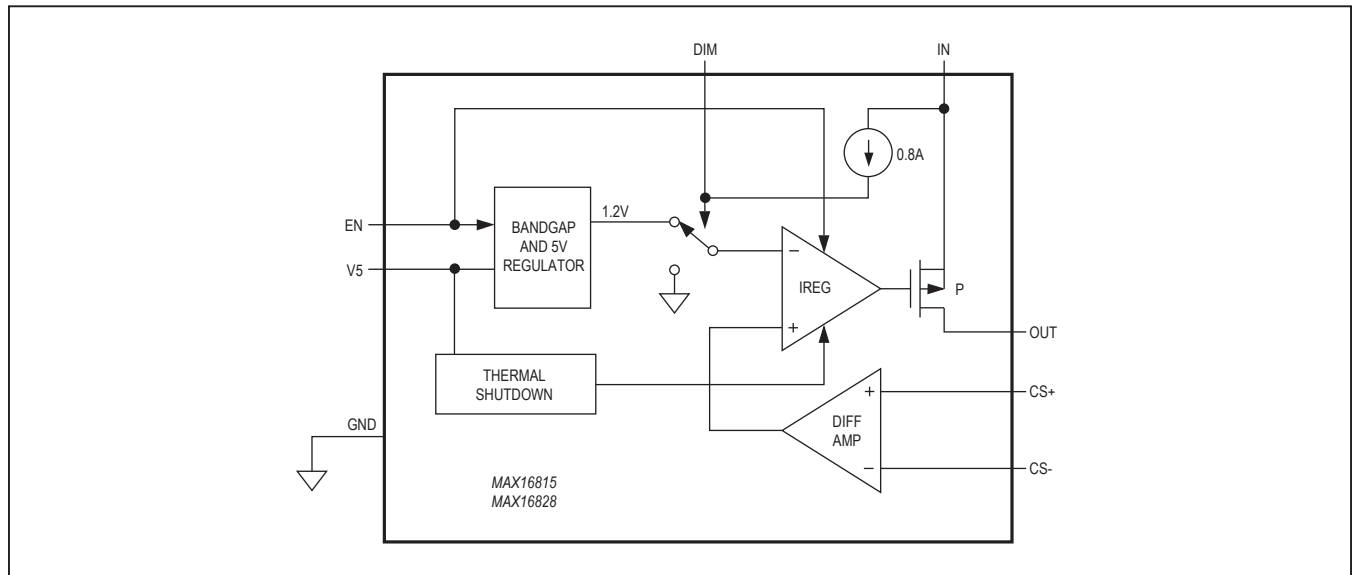
Pin Description

PIN		NAME	FUNCTION
TDFN	SO		
1	6	DIM	Pulsed Dimming Input. Drive DIM low to turn off output current (LED current). Drive DIM high to turn on the output current (LED current). DIM is pulled high to V_{IN} when left unconnected
—	7	EN	Enable Input. Drive EN high to enable the output. For the TDFN package, this input is not accessible and always high
2	8	OUT	Current-Regulated Output
3	1	IN	Positive Input Supply. Bypass IN with a 0.1 μ F (min) capacitor to GND
4	2	CS+	LED Current-Sense Amplifier Positive Input. For the SO package version, connect the current-sense resistor between this pin and CS-; for the TDFN version, connect it between this pin and ground.
—	3	CS-	LED Current-Sense Amplifier Negative Input. Connect to ground
5	4	V5	+5V Regulated Output. Connect a 0.1 μ F (min) capacitor from V5 to GND
6	5	GND	Ground
—	—	EP	Exposed Pad. Connect to a large ground plane for effective power dissipation. Do not use as the only ground connection.

DFN Functional Diagram



SO Functional Diagram



Detailed Description

+5V Regulator

The MAX16815/MAX16828 include a fixed +5V output regulator that delivers up to 4mA of load current throughout the 6.5V to 40V input voltage range. Connect a 0.1μF compensation capacitor from V5 to ground. Shorting V5 to ground disables the thermal shutdown. V5 stays on during PWM dimming.

Thermal Protection

The MAX16815/MAX16828 enter a thermal-shutdown mode in the event of overheating. This typically occurs in overload or output short-circuit conditions. If the junction temperature exceeds $T_J = +159^{\circ}\text{C}$ (typ), the internal thermal-protection circuitry turns off the series pass device. The MAX16815/MAX16828 recover from thermal-shutdown mode once the junction temperature drops by 24°C (typ). The devices therefore protect themselves by thermal cycling in the event of a short-circuit or overload condition. Shorting V5 to ground disables the thermal shutdown.

Applications Information

Programming the LED Current

The MAX16815/MAX16828 use a sense resistor across CS+ and GND for the TDFN package or across CS+ and CS- for the SO package, to set the LED current. The LED current is given by $I_{LED} = V_{RSNS}/R_{SENSE}$.

Input-Voltage Considerations

For proper operation, the minimum input voltage must always be:

$$V_{IN(MIN)} \geq V_{RSNS(MAX)} + V_{FT(MAX)} + \Delta V_{DO(MAX)}$$

where $V_{FT(MAX)}$ is the total forward voltage of all series connected LEDs. The minimum operating voltage of the device is +6.5V. The device operates below +6.5V; however, output current may not meet the full regulation specification (see the *Typical Operating Characteristics*) and the V5 regulator will drop below 5V.

Low-Frequency PWM Dimming at the Output

Provide a pulse to the dimming input (DIM) of the MAX16815/MAX16828 to produce a PWM output. Alternatively, connect DIM to IN and pulse IN.

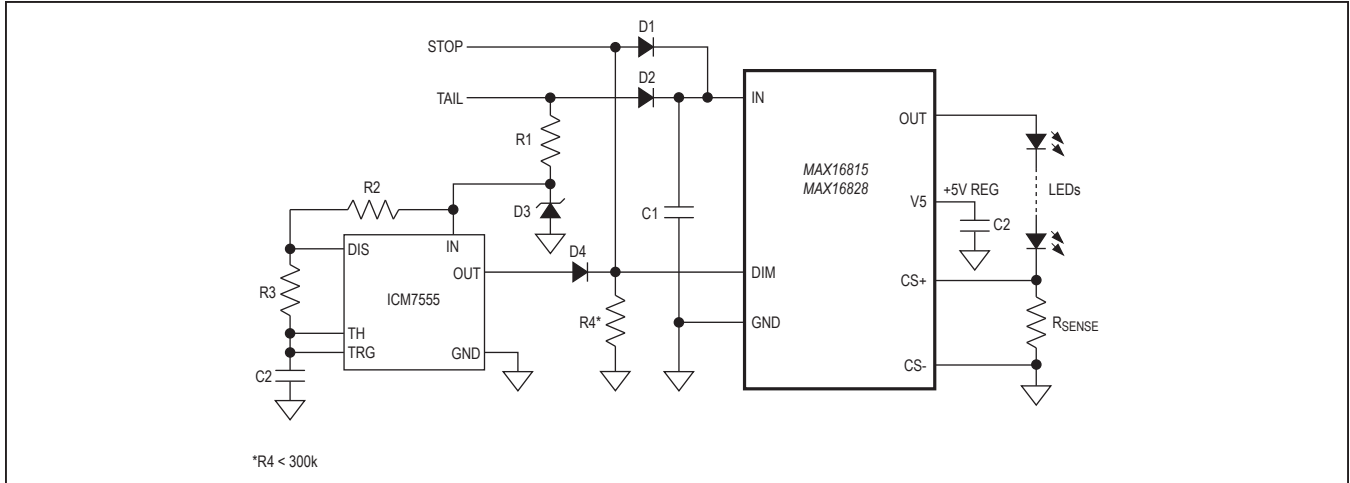


Figure 1. PWM Dimming Operation with ICM7555 Timer

Two Brightness Levels for TAIL/STOP Lights

Figure 1 shows PWM dimming operation for the MAX16815/MAX16828 with an ICM7555 timer. The ICM7555 provides adjustable duty cycle using two external resistors and a capacitor. In TAIL operation, the output of the ICM7555 feeds into DIM and lights up the LEDs. The LED's brightness depends on the duty cycle of the ICM7555. When V_{STOP} is present, DIM is pulled up to V_{STOP}. The PWM dimming operation is disabled and the LEDs light up to full brightness. See the ICM7555 data sheet for formulas to calculate the dimming frequency and the duty cycle.

LED Current Thermal Foldback

With a minimum number of external components, the MAX16815/MAX16828 provide LED current thermal foldback using a negative temperature coefficient (NTC) thermistor. Figure 2 shows a thermistor connected to V5 and the CS+ of the MAX16815/MAX16828. As the temperature increases, the voltage drop across R2 increases, causing the LED current to decrease.

$$I_{LED} = [V_{RSNS} - (R2 / R_T) (V_{V5} - V_{RSNS})] / R1$$

Other Applications

The application circuit in Figure 3 implements a two-level brightness current for TAIL/STOP lights. In TAIL operation, Q1 is off and R1 sets the output current. In

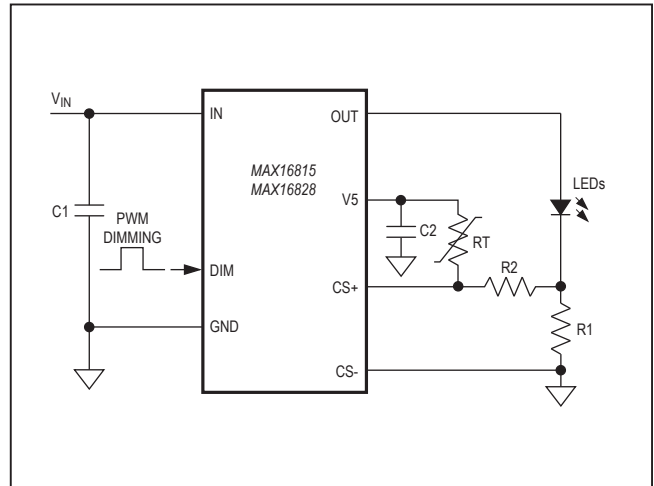


Figure 2. LED Current Thermal Foldback with an NTC Thermistor

STOP operation, Q1 turns on and the output current is set by a parallel combination of R1 and R2. Figure 4 shows an application circuit with the MAX16815/MAX16828 using a single BJT to provide high output current. For proper operation:

$$V_{IN(MIN)} > V_{CESAT(MAX)} + V_{FT(MAX)} + V_{RSNS}$$

where V_{CESAT(MAX)} is the maximum saturation voltage of the external BJT and V_{FT(MAX)} is the total forward voltage of all series connected LEDs.

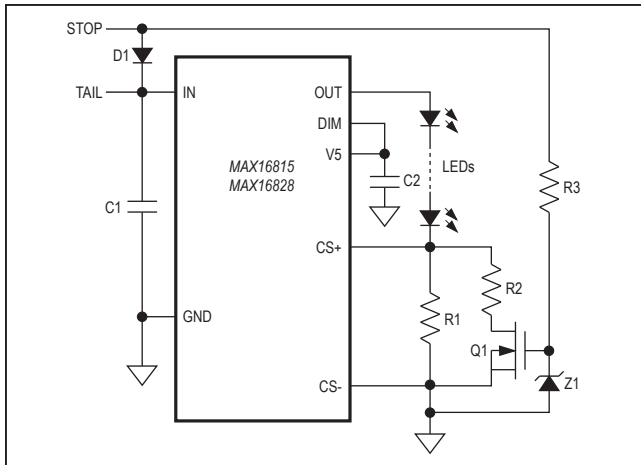


Figure 3. Two-Level Brightness with Current Level Switch for TAIL/STOP Lights

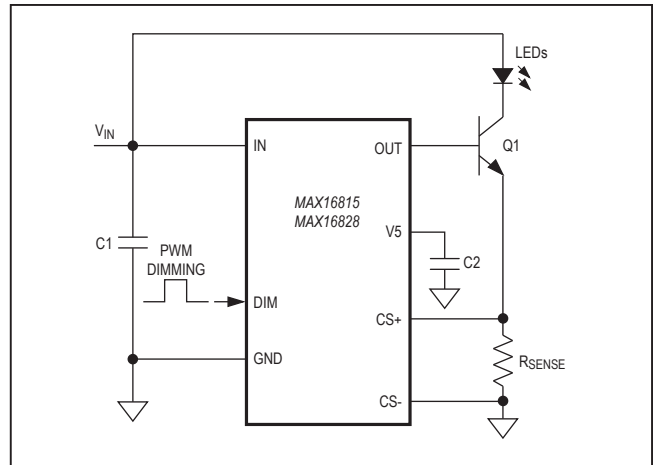


Figure 4. Increased LED Current (Ampere Range) with a Single BJT

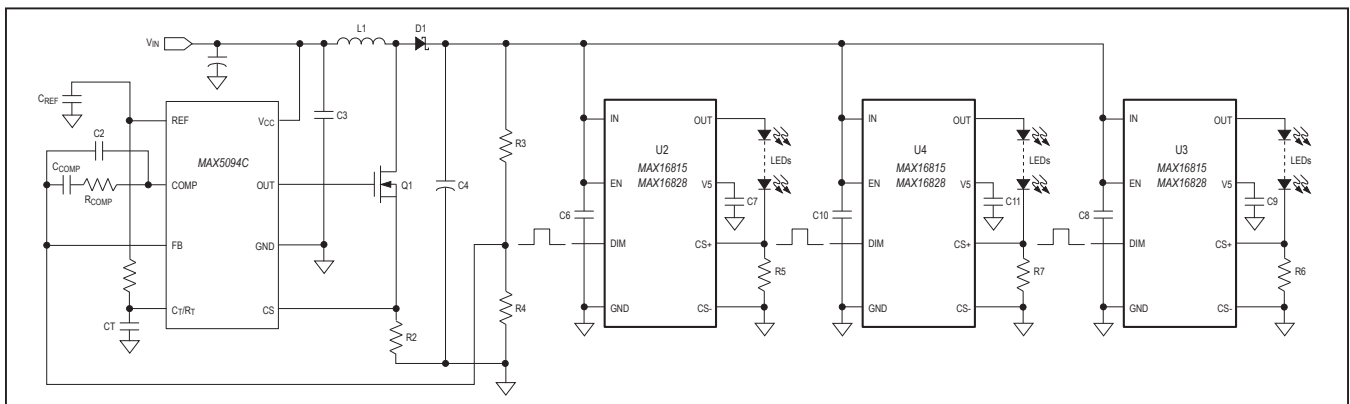


Figure 5. Multichannel HB LED Drivers for LCD Backlight

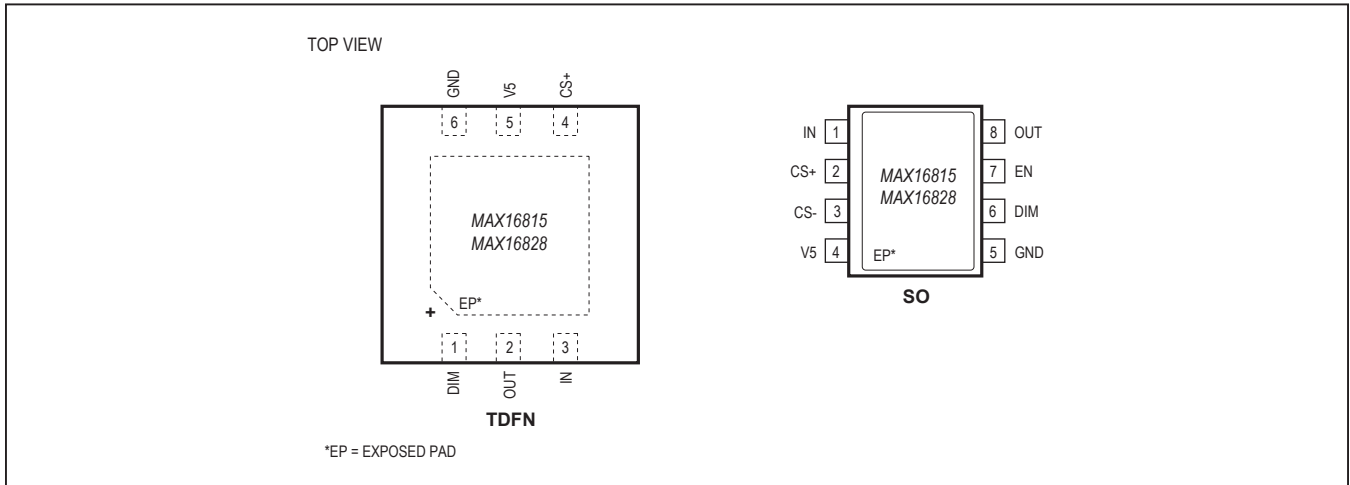
Multichannel HB LED Driver

Figure 5 shows an array of MAX16815/MAX16828s with independent DIM control. The MAX5094C, a current-mode PWM controller, provides the input power to each LED driver preregulated voltage to multiple MAX16815/MAX16828 drivers.

Chip Information

PROCESS: BiCMOS

Pin Configurations



Package Information

For the latest package outline information and land patterns (footprints), go to www.maximintegrated.com/packages. Note that a “+”, “#”, or “-” in the package code indicates RoHS status only. Package drawings may show a different suffix character, but the drawing pertains to the package regardless of RoHS status.

PACKAGE TYPE	PACKAGE CODE	DOCUMENT NO.
8 SO-EP	S8E-12	21-0111
6 TDFN-EP	T633-2	21-0137

Revision History

REVISION NUMBER	REVISION DATE	DESCRIPTION	PAGES CHANGED
0	2/08	Initial release	—
1	7/09	Added the SO package to the <i>Ordering Information</i> table, <i>Electrical Characteristics</i> , <i>TOC 2</i> and <i>TOC 6</i> , <i>Pin Description</i> table, and <i>Functional Diagrams</i> ; modified the <i>Simplified Diagram</i> and Figures 1–4 to include the CS- pin; and added the SO-EP <i>Pin Configuration</i>	1–4, 6–10
2	4/14	No <i>IV</i> OPNs; removed automotive references from <i>Applications</i> section	1

For pricing, delivery, and ordering information, please contact Maxim Direct at 1-888-629-4642, or visit Maxim Integrated's website at www.maximintegrated.com.

Maxim Integrated cannot assume responsibility for use of any circuitry other than circuitry entirely embodied in a Maxim Integrated product. No circuit patent licenses are implied. Maxim Integrated reserves the right to change the circuitry and specifications without notice at any time. The parametric values (min and max limits) shown in the *Electrical Characteristics* table are guaranteed. Other parametric values quoted in this data sheet are provided for guidance.