

MAX1773/MAX1773A

Power Source Selector for Dual-Battery Systems

General Description

The MAX1773/MAX1773A highly integrated ICs serve as the control logic for a system with multiple power sources. They directly drive external P-channel MOSFETs to select from an AC adapter and dual battery sources for charge and discharge. The selection is made based on the presence of the power sources and the state of the batteries. The MAX1773/MAX1773A detect low battery conditions using integrated analog comparators and check for the presence of a battery by using battery thermistor outputs.

The MAX1773/MAX1773A are designed for use with a buck topology charger. They provide a simple and easily controlled solution to a difficult analog power control problem. The MAX1773/MAX1773A provide most of the power source monitoring and selection, freeing the system power management microprocessor (μP) for other tasks. This not only simplifies development of the power management firmware for the μP but also allows the μP to enter standby, thereby reducing system power consumption.

The MAX1773A is recommended for new designs.

Benefits and Features

- Patented[†] 7-MOSFET Topology Offers Low-Cost Solution
- Automatically Detects and Responds to:
 - Low Battery Voltage Condition
 - Battery Insertion and Removal
 - AC Adapter Presence
- Direct Drive of P-Channel MOSFETs
- Simplifies Power Management μP Firmware
- Extends Battery Life by Allowing Power Management μP to Enter Standby
- 4.75V to 28V AC Adapter Input Voltage Range
- Integrated LDO with 1mA Drive Capability
- Small Footprint 20-Pin TSSOP Package

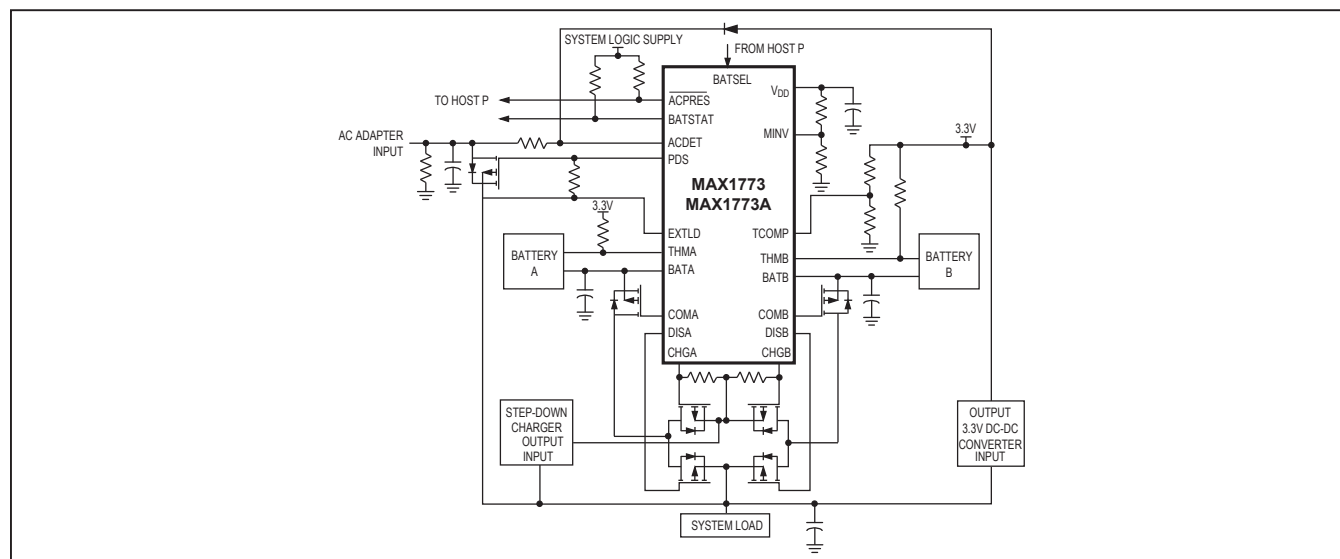
Applications

- Notebook and Subnotebook Computers
- PDAs and Handy-Terminals
- Internet Tablets
- Dual-Battery Portable Equipment

Ordering Information appears at end of data sheet.

[†]Covered by U.S. Patent number 5,764,032.

Typical Operating Circuit



Absolute Maximum Ratings

V_{BATA}, V_{BATB} to GND.....	-0.3V to +20V	Continuous Current out of THMA, THMB.....	20mA
V_{COMA} to GND	-0.3V to ($V_{BATA} + 0.3V$)	$I_{ACPRES}, I_{BATSTAT}$ Sink Current.....	30mA
V_{COMB} to GND	-0.3V to ($V_{BATB} + 0.3V$)	Continuous Power Dissipation ($T_A = +70^\circ C$)	
$V_{CHGA}, V_{CHGB}, V_{EXTLD}, V_{ACDET}$ to GND.....	-0.3V to +30V	20-Pin TSSOP (derate 7.0mW/ $^\circ C$ above +70 $^\circ C$).....	560mW
$V_{PDS}, V_{DISA}, V_{DISB}$ to GND.....	-0.3V to ($V_{EXTLD} + 0.3V$)	Operating Temperature	-40 $^\circ C$ to +85 $^\circ C$
$V_{DD}, V_{BATSEL}, V_{ACPRES}, V_{BATSTAT}, V_{TCOMP},$		Storage Temperature.....	-65 $^\circ C$ to +150 $^\circ C$
V_{MINV} to GND	-0.3V to +6V	Lead Temperature (soldering, 10s)	+300 $^\circ C$
V_{THMA}, V_{THMB} (Note 1)	-0.3V to +6V		

Note 1: Signals on THMA and THMB below -0.3V are clamped by internal diodes limit forward diode current to maximum continuous current. When voltage on these pins is below -0.3V.

Stresses beyond those listed under "Absolute Maximum Ratings" may cause permanent damage to the device. These are stress ratings only, and functional operation of the device at these or any other conditions beyond those indicated in the operational sections of the specifications is not implied. Exposure to absolute maximum rating conditions for extended periods may affect device reliability.

Package Information

PACKAGE TYPE: 20 TSSOP	
Package Code	U20-2
Outline Number	21-0066
Land Pattern	90-0116

For the latest package outline information and land patterns (footprints), go to www.maximintegrated.com/packages. Note that a "+", "#", or "-" in the package code indicates RoHS status only. Package drawings may show a different suffix character, but the drawing pertains to the package regardless of RoHS status.

Electrical Characteristics

($V_{BATA} = V_{BATB} = 16.8V, C_{VDD} = 3.3\mu F, V_{MINV} = 0.93V, V_{EXTLD} = V_{ACDET} = 28V, V_{TCOMP} = 3V, V_{THMA} = V_{THMB} = 1.65V, V_{BATSEL} = 0V, C_{COMA} = C_{COMB} = C_{DISA} = C_{DISB} = C_{CHGA} = C_{CHGB} = C_{PDS} = 5nF, T_A = 0^\circ C$ to +85 $^\circ C$, unless otherwise noted.)

PARAMETER	CONDITIONS	MIN	TYP	MAX	UNITS
EXTLD Supply Voltage Range	$V_{EXTLD} > V_{BATA}$ and V_{BATB}	4.75		28	V
BATA, BATB Supply Voltage Range		4.75		19	V
BATA, BATB Quiescent Current (Current from the higher voltage supply)	$V_{BATA} = 4.75V$ to 19V, $V_{BATB} = 4.75V$ to 19V, $I_{VDD} = 0$	$V_{ACDET} = 28V$	5	8	μA
		$V_{ACDET} = 2.2V$ to V_{BATA} and V_{BATB}	40	70	
BATA, BATB Quiescent Current (Current from the lower voltage supply)	$V_{BATA} = 4.75V$ to 19V, $V_{BATB} = 4.75V$ to 19V, $I_{VDD} = 0$	$V_{ACDET} = 28V$	5	8	μA
		$V_{ACDET} = 2.2V$ to V_{BATA} and V_{BATB}	8	13	
EXTLD Quiescent Current	$V_{ACDET} = 28V, V_{EXTLD} = 28V$		35	55	μA
	$V_{ACDET} = 2.2V$ to V_{BATA} and $V_{BATB},$ $V_{EXTLD} = 16V$		5	8	

Electrical Characteristics (continued)

($V_{BATA} = V_{BATB} = 16.8V$, $C_{VDD} = 3.3\mu F$, $V_{MINV} = 0.93V$, $V_{EXTLD} = V_{ACDET} = 28V$, $V_{TCOMP} = 3V$, $V_{THMA} = V_{THMB} = 1.65V$, $V_{BATSEL} = 0V$, $C_{COMA} = C_{COMB} = C_{DISA} = C_{DISB} = C_{CHGA} = C_{CHGB} = C_{PDS} = 5nF$, $T_A = 0^\circ C$ to $+85^\circ C$, unless otherwise noted.)

PARAMETER	CONDITIONS	MIN	TYP	MAX	UNITS	
LINEAR REGULATOR						
V_{DD} Output Voltage	$I_{VDD} = 0$ to $100\mu A$	3.234	3.3	3.367	V	
	$I_{VDD} = 100\mu A$ to $1mA$	3.168	3.3	3.432		
V_{DD} Power-Supply Rejection Ratio	V_{BATA} or $V_{BATB} = 5V$ to $19V$, $V_{EXTLD} = 5V$			1.0	mV/V	
	$V_{BATA} = V_{BATB} = 5V$, $V_{EXTLD} = 5V$ to $28V$			1.0		
	V_{BATA} , V_{BATB} , or $V_{EXTLD} = 5V$ to $19V$, sawtooth at $10V/\mu s$, other supplies = $12V$		1			
V_{DD} Undervoltage Lockout	Hysteresis is typically $50mV$	2.0	2.5	3.0	V	
COMPARATORS						
TCOMP Undervoltage Lockout	(Note 2)	0		1.1	V	
THM_ Input Voltage Range		0		5.5	V	
THM_ Input Leakage Current	$V_{THM_} = 5.5V$		0.1	100	nA	
TCOMP Input Voltage Range	$V_{THMA} = V_{THMB} = 0$ to $5.5V$	0		5.5	V	
	$V_{THMA} = V_{THMB} = 0$ to $5.5V$, $V_{BATA} = V_{BATB} = V_{EXTLD} = 4.75V$	0		4.3		
TCOMP Input Leakage Current	$V_{TCOMP} = 5.5V$		0.1	100	nA	
THM_ to TCOMP Trip Threshold	THM_ falling with respect to TCOMP	-30		+30	mV	
THM_ to TCOMP Hysteresis		15	50		mV	
ACDET Operating Voltage Range	(Note 3)	2.2		28	V	
ACDET Logic Threshold High		2.2			V	
ACDET Input Bias Current	$V_{ACDET} = 3V$, $V_{ACDET} < V_{BATA}$ and V_{BATB}		4	8	μA	
	$V_{ACDET} = 3V$, $V_{ACDET} < V_{BATB}$, $V_{BATA} = 0$		5	9		
	$V_{ACDET} = 28V$, $V_{ACDET} > V_{BATA}$ and V_{BATB}		6	11		
ACDET to BATA Trip Threshold	V_{ACDET} falling with respect to V_{BATA}	0	50	100	mV	
ACDET to BATA Hysteresis		100	150	200	mV	
ACDET to BATB Trip Threshold	V_{ACDET} falling with respect to V_{BATB}	0	50	100	mV	
ACDET to BATB Hysteresis		100	150	200	mV	
MINV Operating Voltage Range	$V_{BATA} = V_{BATB} = 5 \times V_{MINV}$	0.93		2.6	V	
MINV Input Bias Current	$V_{MINV} = 0.93V$ to $2.6V$	-100		+100	nA	
BAT_ Minimum Voltage Trip Threshold	$V_{BAT_}$ falling	$V_{MINV} = 0.93V$	4.55	4.65	4.75	V
		$V_{MINV} = 2.6V$	12.7	13	13.3	
BATSEL Input Low Voltage	Typical hysteresis is $100mV$			0.8	V	
BATSEL Input High Voltage		2.0			V	
BATSEL Input Leakage Current	$V_{BATSEL} = 5.5V$			1	μA	
BATSEL Action Delay		20		100	μs	

Electrical Characteristics (continued)

($V_{BATA} = V_{BATB} = 16.8V$, $C_{VDD} = 3.3\mu F$, $V_{MINV} = 0.93V$, $V_{EXTLD} = V_{ACDET} = 28V$, $V_{TCOMP} = 3V$, $V_{THMA} = V_{THMB} = 1.65V$, $V_{BATSEL} = 0V$, $C_{COMA} = C_{COMB} = C_{DISA} = C_{DISB} = C_{CHGA} = C_{CHGB} = C_{PDS} = 5nF$, $T_A = 0^\circ C$ to $+85^\circ C$, unless otherwise noted.)

PARAMETER	CONDITIONS	MIN	TYP	MAX	UNITS
GATE DRIVERS					
COM_ Initial Source Current	$V_{BAT_} = 16.8V$, $V_{COM_} = 14.8V$	5			mA
COM_ Final Source Current	$V_{BAT_} = 16.8V$, $V_{COM_} = 16.4V$	10			μA
	$V_{BAT_} = 16.8V$, $V_{COM_} = 14.8V$	50	100	150	
COM_ Sink Current (PMOS Turn-On)	$V_{COM_} = 11.8V$, $V_{BAT_} = 16.8V$ (Note 4)	4			mA
COM_ Turn-On Clamp Voltage ($V_{COM_}$ to $V_{BAT_}$)	$V_{BAT_} = 8V$ to $19V$	-11.5	-9.5	-7.5	V
	$V_{BAT_} = 4.75V$ to $8V$	-8.00		-4.25	
PDS Source Current (PMOS Turn-Off)	$V_{PDS} = 10V$, $V_{EXTLD} = 12V$	5			mA
PDS Sink Current (PMOS Turn-On)	$V_{PDS} = 2V$ to $28V$	0.8	1.0	1.2	mA
PDS Leakage Current (PMOS Off)	$V_{PDS} = 28V$		0.1	2	μA
CHG_ Sink Current (PMOS Turn-On)	$V_{CHG_} = 2V$ to $22V$	0.7	1.0	1.3	mA
CHG_ Leakage Current (PMOS Off)	$V_{CHG_} = 28V$		0.1	2	μA
DIS_ Initial Source Current	$V_{EXTLD} = 15V$, $V_{DIS_} = 13V$	5			mA
DIS_ Final Source Current	$V_{EXTLD} = 15V$, $V_{DIS_} = 14.6V$	10			μA
	$V_{EXTLD} = 15V$, $V_{DIS_} = 13V$	50	100	150	
DIS_ Sink Current (PMOS Turn-On)	$V_{EXTLD} = 16.8V$, $V_{DIS_} = 11.8V$ (Note 5)	4			mA
DIS_ Turn-On Clamp Voltage ($V_{DIS_}$ to V_{EXTLD})	$V_{EXTLD} = 8V$ to $28V$	-11.5	-9.5	-7.5	V
	$V_{EXTLD} = 4.75V$ to $8V$	-8.00		-4.25	
STATUS OUTPUTS					
\overline{ACPRES} Sink Current	$V_{ACPRES} = 0.4V$	1			mA
	$V_{ACPRES} = 5.5V$			30	
BATSTAT Sink Current	$V_{BATSTAT} = 0.4V$	1			mA
	$V_{BATSTAT} = 5.5V$				
\overline{ACPRES} Leakage Current	$V_{ACPRES} = 5.5V$		0.1	1	μA
BATSTAT Leakage Current	$V_{BATSTAT} = 5.5V$		0.1	1	μA
TRANSITION TIMES					
Battery Switchover Delay	$V_{ACDET} = 2.2V$, $V_{MINV} = 0.93V$ (Note 6)			5	μs
Battery Action Delay	$V_{ACDET} = 2.2V$, $V_{MINV} = 0.93V$ (Note 7)			260	μs
Thermistor Action Delay	$V_{ACDET} = 2.2V$, $V_{MINV} = 0.93V$ (Note 8)			12	μs
AC to Battery Switchover Delay	$V_{ACDET} = 2.2V$, $V_{MINV} = 0.93V$ (Note 9)			10	μs
Battery to AC Switchover Delay	$V_{ACDET} = 2.2V$, $V_{MINV} = 0.93V$ (Note 10)			260	μs
CHG_ Turn-On Delay	(Note 11)	130	300	530	μs

Electrical Characteristics

($V_{BATA} = V_{BATB} = 16.8V$, $C_{VDD} = 3.3\mu F$, $V_{MINV} = 0.93V$, $V_{EXTLD} = V_{ACDET} = 28V$, $V_{TCOMP} = 3V$, $V_{THMA} = V_{THMB} = 1.65V$, $V_{BATSEL} = 0V$, $C_{COMA} = C_{COMB} = C_{DISA} = C_{DISB} = C_{CHGA} = C_{CHGB} = C_{PDS} = 5nF$, $T_A = -40^{\circ}C$ to $+85^{\circ}C$, unless otherwise noted.)

PARAMETER	CONDITIONS	MIN	TYP	MAX	UNITS
EXTLD Supply Voltage Range	$V_{EXTLD} > V_{BATA}$ and V_{BATB}	4.75		28	V
BATA, BATB Supply Voltage Range		4.75		19	V
BATA, BATB Quiescent Current (Current from the higher voltage supply)	$V_{BATA} = 4.75V$ to $19V$, $V_{BATB} = 4.75V$ to $19V$, $I_{VDD} = 0$	$V_{ACDET} = 28V$		8	μA
		$V_{ACDET} = 2.2V$ to V_{BATA} and V_{BATB}		70	
BATA, BATB Quiescent Current (Current from the lower voltage supply)	$V_{BATA} = 4.75V$ to $19V$, $V_{BATB} = 4.75V$ to $19V$, $I_{VDD} = 0$	$V_{ACDET} = 28V$		8	μA
		$V_{ACDET} = 2.2V$ to V_{BATA} and V_{BATB}		13	
EXTLD Quiescent Current	$V_{ACDET} = 28V$, $V_{EXTLD} = 28V$			55	μA
	$V_{ACDET} = 2.2V$ to V_{BATA} and V_{BATB} , $V_{EXTLD} = 16V$			8	
LINEAR REGULATOR					
V_{DD} Output Voltage	$I_{VDD} = 0$ to $100\mu A$	3.234		3.367	V
	$I_{VDD} = 100\mu A$ to $1mA$	3.168		3.432	
V_{DD} Power-Supply Rejection Ratio	V_{BATA} or $V_{BATB} = 5V$ to $19V$, $V_{EXTLD} = 5V$			1.0	mV/V
	$V_{BATA} = V_{BATB} = 5V$, $V_{EXTLD} = 5V$ to $28V$			1.0	
V_{DD} Undervoltage Lockout	Hysteresis is typically $50mV$	2.0		3.0	V
COMPARATORS					
TCOMP Undervoltage Lockout	(Note 2)	0		1.1	V
THM_ Input Voltage Range		0		5.5	V
THM_ Input Leakage Current	$V_{THM_} = 5.5V$			100	NA
TCOMP Input Voltage Range	$V_{THMA} = V_{THMB} = 0$ to $5.5V$	0		5.5	V
	$V_{BATA} = V_{BATB} = V_{EXTLD} = 4.75V$	0		4.3	
ACDET Operating Voltage Range (Note 3)		2.2		28	V
ACDET Logic Threshold High		2.2			V
ACDET Input Bias Current	$V_{ACDET} = 3V$, $V_{ACDET} < V_{BATA}$ and V_{BATB}			8	μA
	$V_{ACDET} = 3V$, $V_{ACDET} < V_{BATB}$, $V_{BATA} = 0$			9	
	$V_{ACDET} = 28V$, $V_{ACDET} > V_{BATA}$ and V_{BATB}			11	
ACDET to BATA Trip Threshold	V_{ACDET} falling with respect to V_{BATA}	-35		+125	mV
ACDET to BATA Hysteresis		100		200	mV
ACDET to BATB Trip Threshold	V_{ACDET} falling with respect to V_{BATB}	-35		+125	mV
ACDET to BATB Hysteresis		100		200	mV

Electrical Characteristics (continued)

($V_{BATA} = V_{BATB} = 16.8V$, $C_{VDD} = 3.3\mu F$, $V_{MINV} = 0.93V$, $V_{EXTLD} = V_{ACDET} = 28V$, $V_{TCOMP} = 3V$, $V_{THMA} = V_{THMB} = 1.65V$, $V_{BATSEL} = 0V$, $C_{COMA} = C_{COMB} = C_{DISA} = C_{DISB} = C_{CHGA} = C_{CHGB} = C_{PDS} = 5nF$, $T_A = -40^{\circ}C$ to $+85^{\circ}C$, unless otherwise noted.)

PARAMETER	CONDITIONS	MIN	TYP	MAX	UNITS
MINV Operating Voltage Range	$V_{BATA} = V_{BATB} = 5 \times V_{MINV}$	0.93		2.60	V
MINV Input Bias Current	$V_{MINV} = 0.93V$ to $2.6V$	-100		+100	nA
BAT_ Minimum Voltage Trip Threshold	$V_{BAT_}$ falling	$V_{MINV} = 0.93V$	4.55	4.75	V
		$V_{MINV} = 2.6V$	12.7	13.3	
BATSEL Input Low Voltage	Typical hysteresis is 100mV			0.8	V
BATSEL Input High Voltage		2.0			V
BATSEL Input Leakage Current	$V_{BATSEL} = 5.5V$			1	μA
BATSEL Action Delay		20		100	μs
GATE DRIVERS					
COM_ Initial Source Current	$V_{BAT_} = 16.8V$, $V_{COM_} = 14.8V$	4			mA
COM_ Final Source Current	$V_{BAT_} = 16.8V$, $V_{COM_} = 16.4V$	10			μA
	$V_{BAT_} = 16.8V$, $V_{COM_} = 14.8V$	50		150	
COM_ Sink Current (PMOS Turn-On)	$V_{COM_} = 11.8V$, $V_{BAT_} = 16.8V$ (Note 4)	2			mA
COM_ Turn-On Clamp Voltage ($V_{COM_}$ to $V_{BAT_}$)	$V_{BAT_} = 8V$ to $19V$	-11.5		-7.25	V
	$V_{BAT_} = 4.75V$ to $8V$	-8.00		-4.25	
PDS Source Current (PMOS Turn-Off)	$V_{PDS} = 10V$, $V_{EXTLD} = 12V$	4			mA
PDS Sink Current (PMOS Turn-On)	$V_{PDS} = 2V$ to $28V$	0.7		1.3	mA
PDS Leakage Current (PMOS Off)	$V_{PDS} = 28V$			2	μA
CHG_ Sink Current (PMOS Turn-On)	$V_{CHG_} = 2V$ to $22V$	0.6		1.4	mA
CHG_ Leakage Current (PMOS Off)	$V_{CHG_} = 28V$			2	μA
DIS_ Initial Source Current	$V_{EXTLD} = 15V$, $V_{DIS_} = 13V$	4			
DIS_ Final Source Current	$V_{EXTLD} = 15V$, $V_{DIS_} = 14.6V$	10			μA
	$V_{EXTLD} = 15V$, $V_{DIS_} = 13V$	50		150	
DIS_ Sink Current (PMOS Turn-On)	$V_{EXTLD} = 16.8V$, $V_{DIS_} = 11.8V$ (Note 5)	2			mA
DIS_ Turn-On Clamp Voltage ($V_{DIS_}$ to V_{EXTLD})	$V_{EXTLD} = 8V$ to $28V$	-11.5		-7.25	V
	$V_{EXTLD} = 4.75V$ to $8V$	-8.00		-4.25	

Electrical Characteristics (continued)

($V_{BATA} = V_{BATB} = 16.8V$, $C_{VDD} = 3.3\mu F$, $V_{MINV} = 0.93V$, $V_{EXTLD} = V_{ACDET} = 28V$, $V_{TCOMP} = 3V$, $V_{THMA} = V_{THMB} = 1.65V$, $V_{BATSEL} = 0V$, $C_{COMA} = C_{COMB} = C_{DISA} = C_{DISB} = C_{CHGA} = C_{CHGB} = C_{PDS} = 5nF$, $T_A = -40^{\circ}C$ to $+85^{\circ}C$, unless otherwise noted.)

PARAMETER	CONDITIONS	MIN	TYP	MAX	UNITS
STATUS OUTPUTS					
\overline{ACPRES} Sink Current	$V_{ACPRES} = 0.4V$	1			mA
	$V_{ACPRES} = 5.5V$			30	
BATSTAT Sink Current	$V_{BATSTAT} = 0.4V$	1			mA
	$V_{BATSTAT} = 5.5V$			30	
\overline{ACPRES} Leakage Current	$V_{ACPRES} = 5.5V$			1	μA
BATSTAT Leakage Current	$V_{BATSTAT} = 5.5V$			1	μA
TRANSITION TIMES					
Battery Switchover Delay	$V_{ACDET} = 2.2V$, $V_{MINV} = 0.93V$ (Note 6)			5	μs
Battery Action Delay	$V_{ACDET} = 2.2V$, $V_{MINV} = 0.93V$ (Note 7)			260	μs
Thermistor Action Delay	$V_{ACDET} = 2.2V$, $V_{MINV} = 0.93V$ (Note 8)			12	μs
AC to Battery Switchover Delay	$V_{ACDET} = 2.2V$, $V_{MINV} = 0.93V$ (Note 9)			10	μs
Battery to AC Switchover Delay	$V_{ACDET} = 2.2V$, $V_{MINV} = 0.93V$ (Note 10)			260	μs
CHG_ Turn-On Delay	(Note 11)	130		530	μs

Note 2: TCOMP undervoltage lockout sets the MAX1773/MAX1773A's internal status bits for the batteries to be designated as "absent" ($V_{THM_} > V_{TCOMP}$).

Note 3: V_{ACDET} must remain above 2.2V, except in power-up.

Note 4: COMA cannot sink current until $V_{COMB} > V_{BATB} - 2V$. Likewise, COMB cannot sink current until $V_{COMA} > V_{BATA} - 2V$.

Note 5: DISA cannot sink current until $V_{DISB} > V_{EXTLD} - 2V$. Likewise, DISB cannot sink current until $V_{DISA} > V_{EXTLD} - 2V$.

Note 6: Battery Switchover Delay starts when either $V_{COM_}$ or $V_{DIS_}$ of the connected battery begins to rise and ends when both $V_{COM_}$ and $V_{DIS_}$ of the other battery have fallen 3V below their sources (Figure 1 and 2).

Note 7: Battery Action Delay starts when the connected battery's voltage falls below $5 \times V_{MINV}$ and ends when both $V_{COM_}$ and $V_{DIS_}$ of the other battery have fallen 3V below their sources (Figure 1 and 2).

Note 8: Thermistor Action Delay begins when $V_{THM_}$ of the connected battery rises above V_{TCOMP} and ends when both $V_{COM_}$ and $V_{DIS_}$ of the other battery have fallen 3V below their sources (Figure 3 and 4).

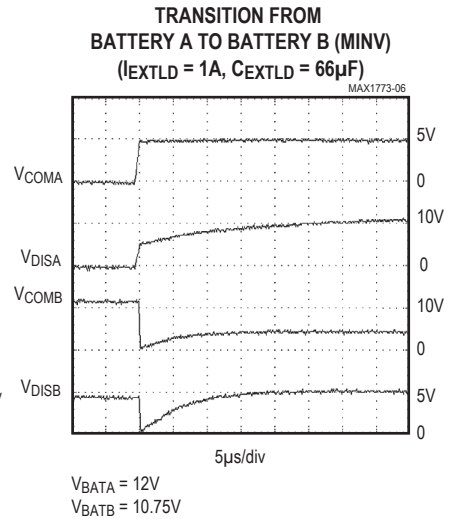
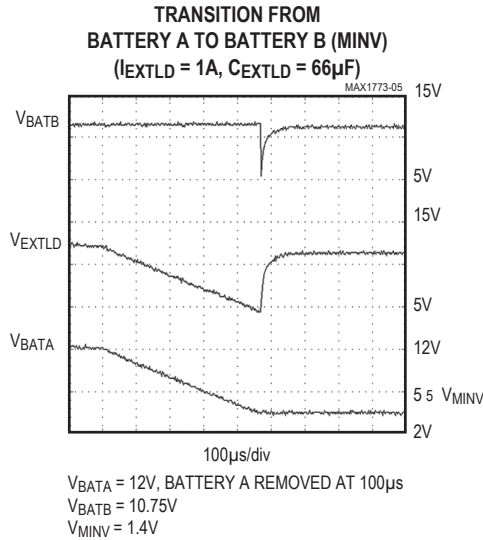
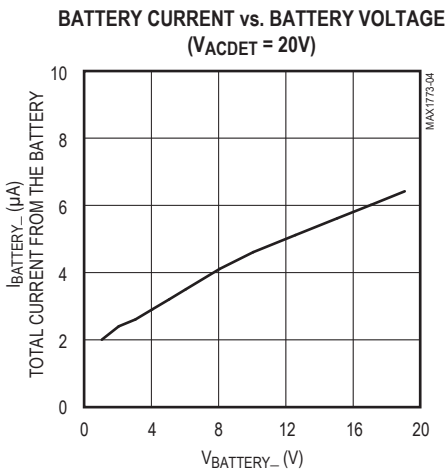
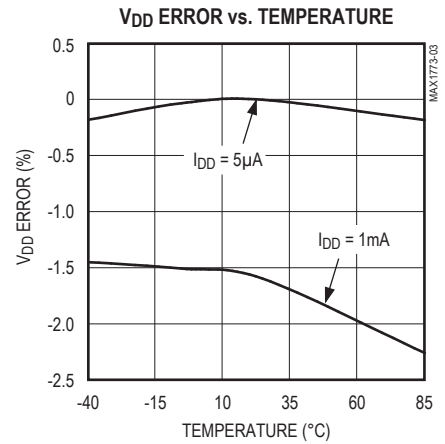
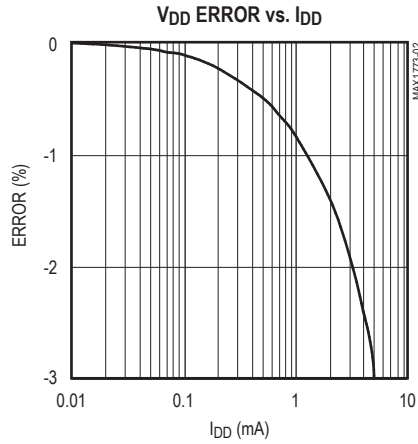
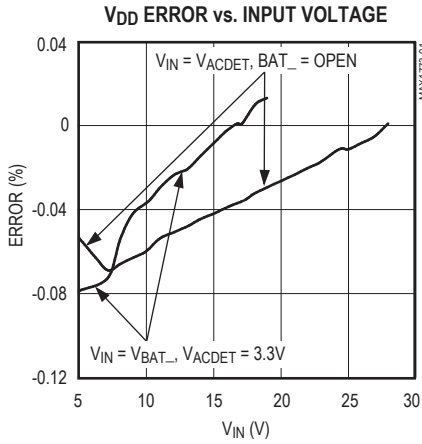
Note 9: AC to Battery Switchover Delay begins when V_{ACDET} falls below its threshold and ends when both $V_{COM_}$ and $V_{DIS_}$ of the battery being switched to have fallen 3V below their sources (Figure 5).

Note 10: Battery to AC Switchover Delay begins when V_{ACDET} rises above its threshold and ends when $V_{DIS_}$ of the battery being switched from has begun to rise (Figure 6).

Note 11: CHG_ Turn-on Delay begins when $V_{CHG_}$ of the battery being switched from begins to rise and ends when $V_{CHG_}$ of the battery being switched to begins to fall (Figure 7 and 8).

Typical Operating Characteristics

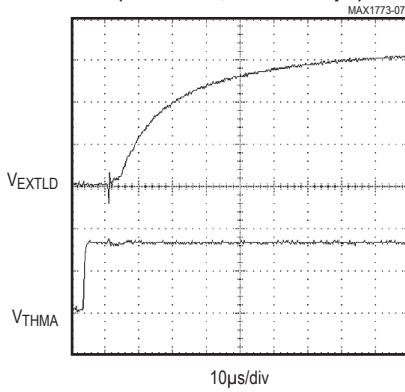
(TA = +25°C, unless otherwise noted.)



Typical Operating Characteristics (continued)

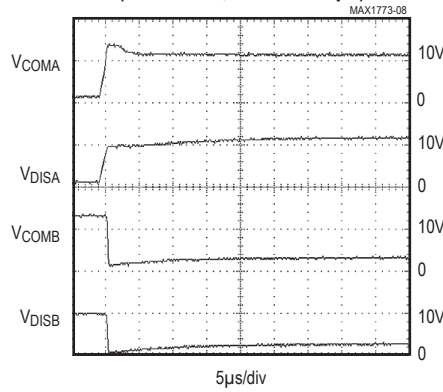
(TA = +25°C, unless otherwise noted.)

TRANSITION FROM BATTERY A TO BATTERY B (TCOMP) (IEXTLD = 4A, CEXTLD = 66µF)



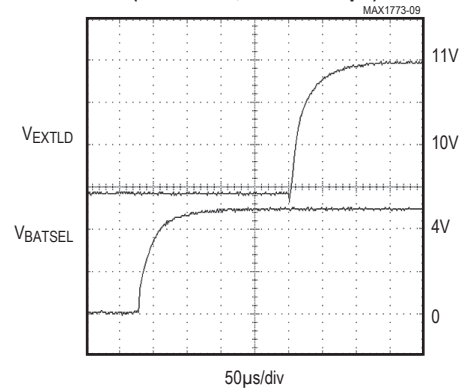
V_{BATA} = 10.5V AT 4A
V_{BATB} = 12V AT 4A

TRANSITION FROM BATTERY A TO BATTERY B (TCOMP) (IEXTLD = 4A, CEXTLD = 66µF)



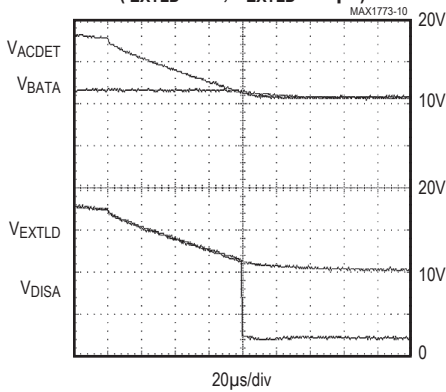
V_{BATA} = 10.5V AT 4A
V_{BATB} = 12V AT 4A

TRANSITION FROM BATTERY A TO BATTERY B (BATSEL) (IEXTLD = 4A, CEXTLD = 66µF)



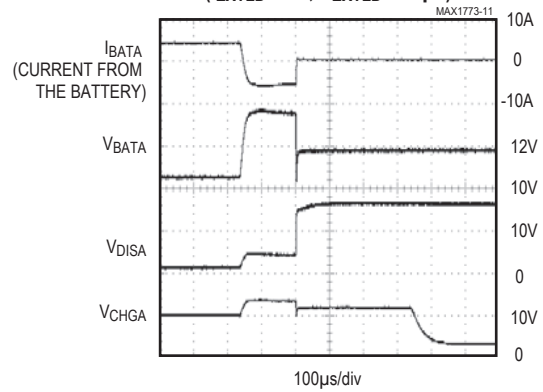
V_{BATA} = 9.4V AT 4A
V_{BATB} = 10.8V AT 4A

TRANSITION FROM AC ADAPTER TO BATTERY A (IEXTLD = 4A, CEXTLD = 66µF)



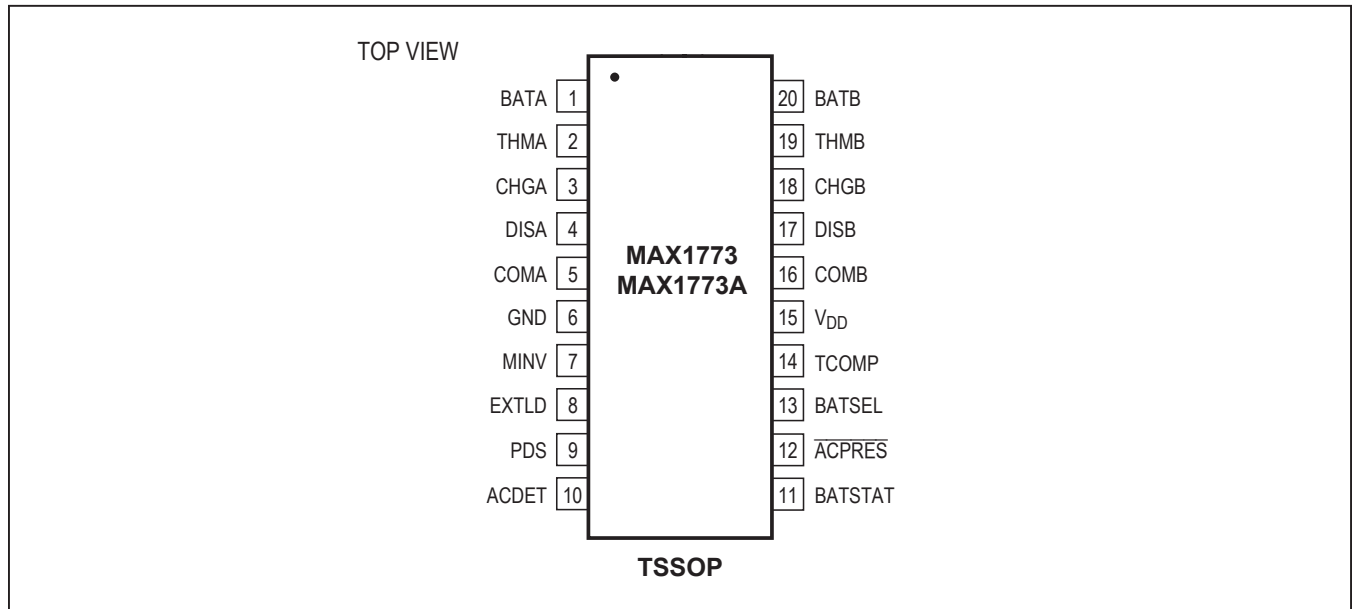
V_{BATA} = 10.8V AT 4A
V_{ACADAPTER} = 17.5V AT 4A

TRANSITION FROM BATTERY A TO AC ADAPTER (IEXTLD = 4A, CEXTLD = 66µF)



V_{ACADAPTER} = 17.5A AT 4A
V_{BATA} = 10.5V AT 4A
V_{ACADAPTER} APPLIED AT 240µs
CHARGER INPUT OPEN

Pin Configuration



Pin Description

PIN	NAME	FUNCTION
1	BATA	Battery A Connection
2	THMA	Thermistor A Input
3	CHGA	Open-Drain Gate Driver for Charge Path MOSFET to Battery A
4	DISA	Gate Driver for Discharge Path MOSFET to Battery A. Switches from V _{EXTLD} to (V _{EXTLD} - 9.5V).
5	COMA	Gate Driver for Common Path MOSFET to Battery A. Switches from V _{BATA} to (V _{BATA} - 9.5V).
6	GND	Ground
7	MINV	Minimum Operating Voltage Set Point. The battery voltage switchover set point is 5 x V _{MINV} .
8	EXTLD	External Load Connection. Source connection for the PDS, DISA, and DISB MOSFETs.
9	PDS	Gate Driver for the AC Adapter MOSFET
10	ACDET	AC Adapter Detection Input
11	BATSTAT	Open-Drain Battery Status Output. Use a pullup resistor to the system logic supply.
12	ACPRES	Open-Drain AC Presence Output. Use a pullup resistor to the system logic supply.
13	BATSEL	Battery Select Digital Input. Selects which battery to charge or discharge.
14	TCOMP	Externally Set Thermistor Trip Point. Sets the thermistor voltage level for detecting the battery's presence.
15	V _{DD}	Linear Regulator Output
16	COMB	Gate Driver for Common Path MOSFET to Battery B. Switches from V _{BATB} to (V _{BATB} - 9.5V).
17	DISB	Gate Driver for Discharge Path MOSFET to Battery B. Switches from V _{EXTLD} to (V _{EXTLD} - 9.5V).
18	CHGB	Open-Drain Gate Driver for Charge Path MOSFET to Battery B
19	THMB	Thermistor B Input
20	BATB	Battery B Connection

Transition Time Diagrams

(V_{COM_GS} = COM_ turn-on clamp voltage, V_{DIS_GS} = DIS_ turn-on clamp voltage, $V_{CHARGER}$ = system step-down charger output.)

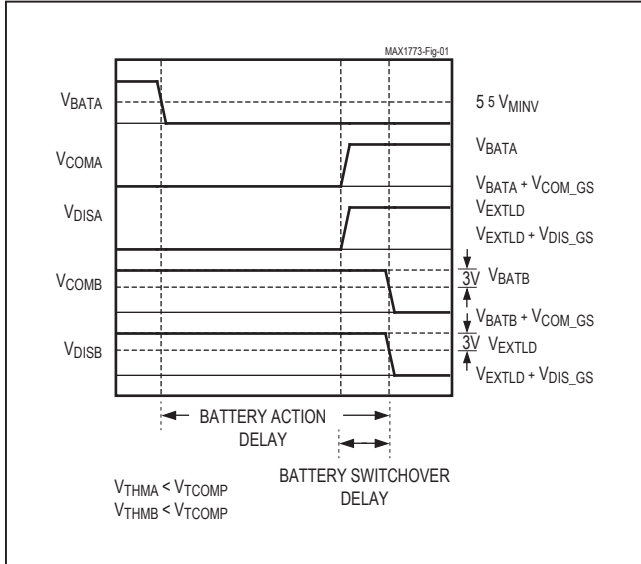


Figure 1. Battery Delay (Battery A to Battery B)

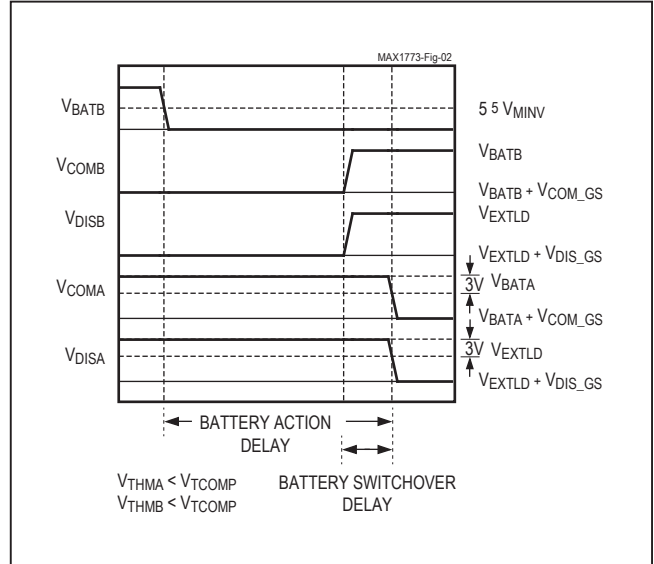


Figure 2. Battery Delay (Battery B to Battery A)

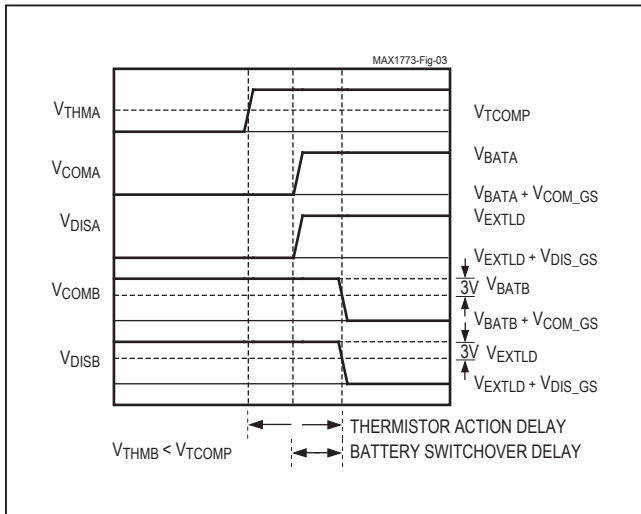


Figure 3. Thermistor Switchover Delay (Battery A to Battery B)

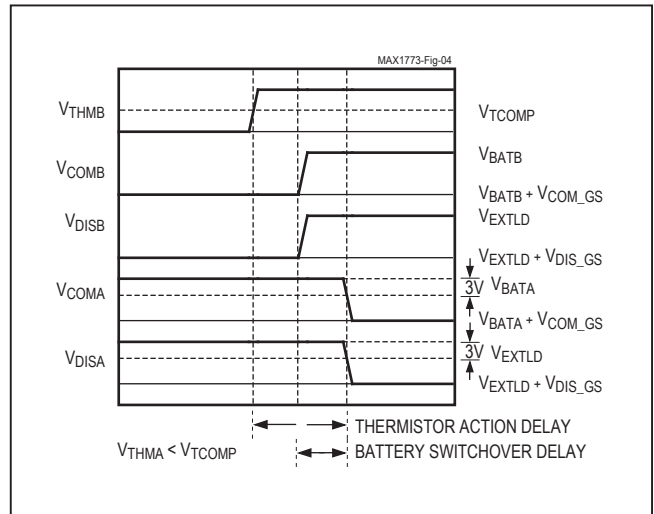


Figure 4. Thermistor Switchover Delay (Battery B to Battery A)

Transition Time Diagrams (continued)

(V_{COM_GS} = COM_ turn-on clamp voltage, V_{DIS_GS} = DIS_ turn-on clamp voltage, $V_{CHARGER}$ = system step-down charger output.)

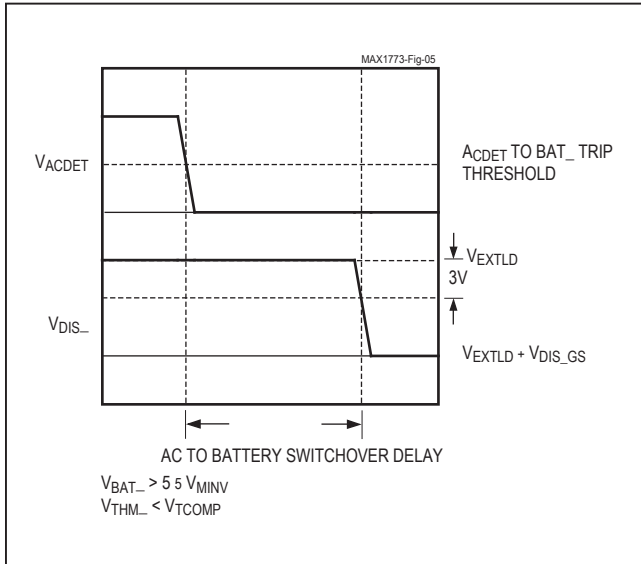


Figure 5. AC to Battery Switchover Delay

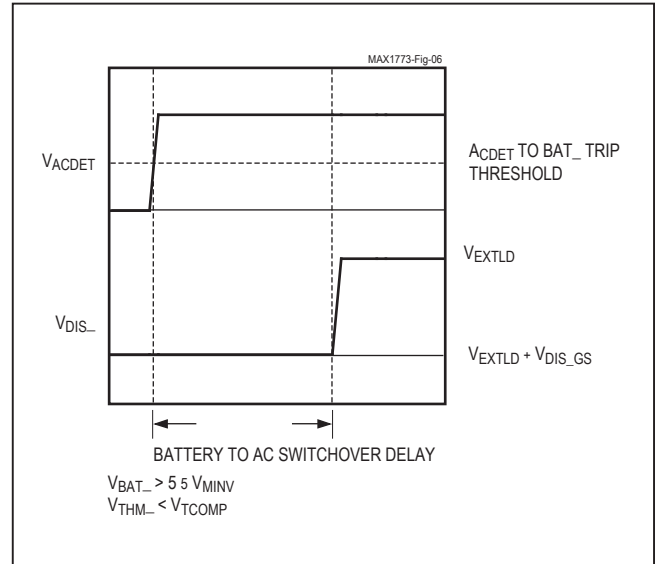


Figure 6. Battery to AC Switchover Delay

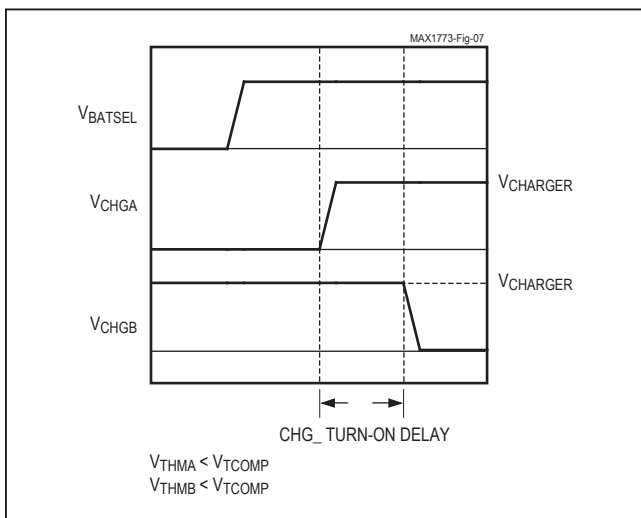


Figure 7. Charge Turn-On Delay (Battery A to Battery B)

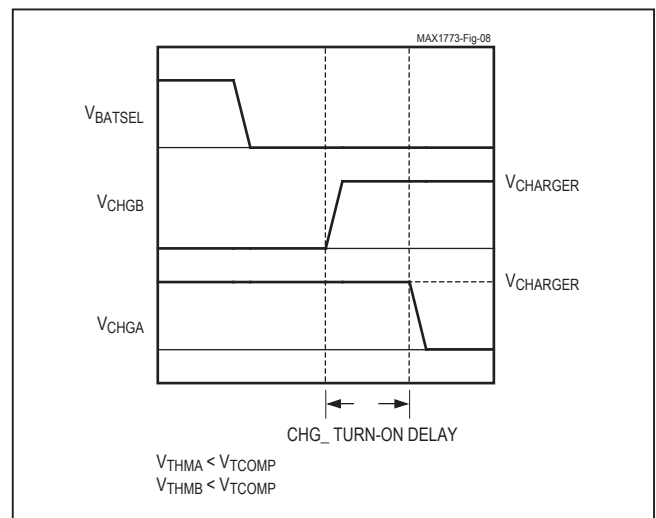


Figure 8. Charge Turn-On Delay (Battery B to Battery A)

Table 1. AC Adapter States

BATSEL	BATTERY A	BATTERY B	BATSTAT	CONNECTION STATE
0	Present	X	0	AC adapter is connected to load. Battery A's charge path connected.
0	Absent	X	1	AC adapter is connected to load.
1	X	Present	1	AC adapter is connected to load. Battery B's charge path connected.
1	X	Absent	0	AC adapter is connected to load.

X = Don't care, Present: $V_{THM_} < V_{TCOMP}$, Absent: $V_{THM_} > V_{TCOMP}$, $\overline{ACPRES} = 0$

Table 2. Simplified Standard Battery States (without latches)

BATSEL	BATTERY A	VBATA	BATTERY B	VBATB	BATSTAT	CONNECTION STATE
0	Present	$> 5 \times V_{MINV}$	X	X	0	Battery A is connected to the load.
X	Present	$> 5 \times V_{MINV}$	Absent	X	0	Battery A is connected to the load.
X	Present	$> 5 \times V_{MINV}$	X	$< 5 \times V_{MINV}$	0	Battery A is connected to the load.
X	X	$< 5 \times V_{MINV}$	Present	$> 5 \times V_{MINV}$	1	Battery B is connected to the load.
X	Absent	X	Present	$> 5 \times V_{MINV}$	1	Battery B is connected to the load.
1	X	X	Present	$> 5 \times V_{MINV}$	1	Battery B is connected to the load.

X = Don't care, Present: $V_{THM_} < V_{TCOMP}$, Absent: $V_{THM_} > V_{TCOMP}$

Detailed Description

The MAX1773/MAX1773A provide the functions necessary to allow an external controller to manage the power connections needed for two battery packs, an AC adapter input, a battery charger, and the system load. The MAX1773/MAX1773A use seven PMOS FETs to provide all the switching necessary in systems using a step-down charger powered by the AC adapter (Figure 9 and 10). The MAX1773/MAX1773A automatically adapt to many transient conditions—such as AC plug-in, battery hot swapping, and battery switchover—to provide constant power to the system without requiring real-time support from an external controller. The MAX1773/MAX1773A draw their power from the highest voltage supply present (Figure 11).

Battery Detection

The MAX1773/MAX1773A monitor the battery's thermistor voltage to determine the presence of the battery. The devices compare the battery's thermistor voltage ($V_{THM_}$) to the thermistor trip point (V_{TCOMP}). If $V_{THM_} < V_{TCOMP}$, then the MAX1773/MAX1773A assume that the battery is present. However, if $V_{THM_} > V_{TCOMP}$, the MAX1773/MAX1773A assume that the battery is absent and do not charge or discharge the battery.

Modes of Operation

The MAX1773/MAX1773A provide three modes of operation. Start-up States mode provides functionality when the MAX1773/MAX1773A are initially powered by a bat-

tery when no AC adapter is present. AC adapter States mode provides functionality when an AC Adapter is present. Standard Battery States mode provides functionality when one or both batteries are present, the AC adapter is not present, and EXTLD is above 2.2V. The Standard Battery States mode requires an external supply with an output voltage between 2.2V and 4.5V for ACDET, as shown in Figure 10. The external power supply must be powered from EXTLD.

AC Adapter States

The MAX1773/MAX1773A check for the presence of an AC adapter by sensing the voltage at ACDET. When V_{ACDET} exceeds the batteries' voltage and 4.75V, then the MAX1773/MAX1773A use the AC adapter to power the load. In addition, if the selected battery is present, the MAX1773/MAX1773A connect the selected battery's charge path. See Table 1 for a detailed listing of the MAX1773/MAX1773A states for operation with an AC adapter detected.

Standard Battery States

When the AC adapter power supply is not present, the MAX1773/MAX1773A use the batteries to supply the load. BATSEL allows an external controller to select a battery. Table 2 shows the simplified standard battery states that normally control operation. However, the Battery Switchover Latch, the Low-Battery Latch, and the Discharged Battery Latch are able to suspend the state table and provide additional functionality.

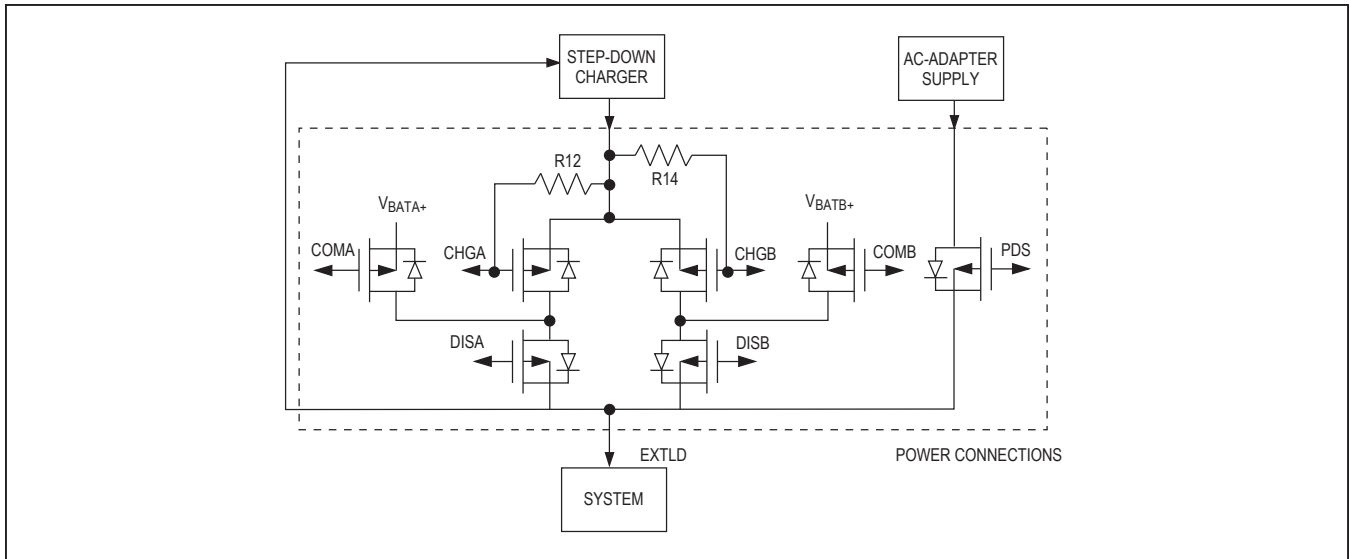


Figure 9. 7-MOSFET Topology

Table 3. Startup States

V _{BATA}	V _{BATB}	BATTERY A	BATTERY B	CONNECTION STATE
>5 x V _{MINV}	X	Present	X	Battery A is connected to the load.
<5 x V _{MINV}	>5 x V _{MINV}	Present	Present	Battery B is connected to the load.
X	>5 x V _{MINV}	Absent	Present	Battery B is connected to the load.
X	X	Absent	Absent	No connections.
<5 x V _{MINV}	<5 x V _{MINV}	X	X	No connections.
<5 x V _{MINV}	X	X	Absent	No connections.
X	<5 x V _{MINV}	Absent	X	No connections.

X = Don't care, Present: $V_{THM_} < V_{TCOMP}$, Absent: $V_{THM_} > V_{TCOMP}$

The Battery Switchover Latch stops the MAX1773/MAX1773A from oscillating when the device switches from the selected battery and then the selected battery's voltage recovers. According to the state table, the MAX1773/MAX1773A would switch back to the selected battery as soon as the battery's voltage recovered. The Battery Switchover Latch suspends the state table as soon as the MAX1773/MAX1773A switch over to the non-selected battery. This causes the MAX1773/MAX1773A to continue to power from the nonselected battery unless the latch is cleared. The Battery Switchover Latch is cleared when BATSEL is toggled (to select the other battery), when in the Startup States mode, in the AC Adapter States mode, and when the selected battery is removed ($V_{THM_} > V_{TCOMP}$).

To prevent the MAX1773/MAX1773A from switching to a discharged battery, the Low-Battery Latch suspends the state table when the unconnected battery's voltage is below $5 \times V_{MINV}$ and the discharging battery's voltage drops below $5 \times V_{MINV}$. Instead of switching to the unconnected battery, the MAX1773/MAX1773A continue to power from the discharging battery. This latch is cleared when the unconnected battery is removed ($V_{THM_} > V_{TCOMP}$), when in the Startup States mode, when in the AC Adapter States mode, and if the unconnected battery's voltage rises above $5 \times V_{MINV}$.

The Discharged Battery Latch sets whenever the MAX1773/MAX1773A are in the Standard Battery States mode, both batteries are present ($V_{THM_} < V_{TCOMP}$), one of the batteries is low ($V_{BAT_} < 5 \times V_{MINV}$), and the other battery's voltage is below V_{ACDET} . While the

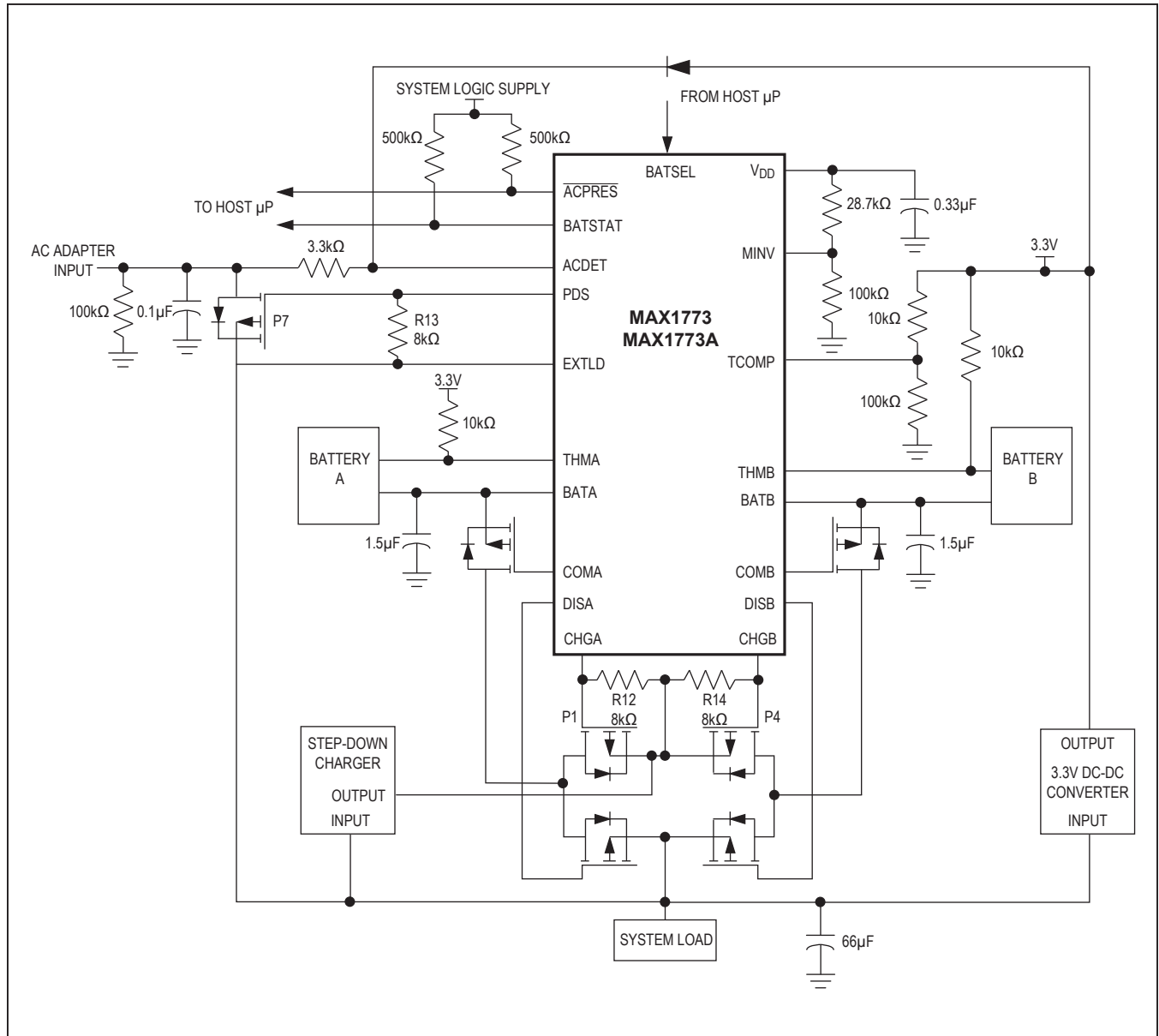


Figure 10. Standard Application Circuit

Discharged Battery Latch is set, the state table is suspended, the MAX1773/MAX1773A are not allowed to switch batteries, and the Low Battery Latch is cleared. The Discharged Battery Latch is cleared when both batteries are above V_{ACDET} , in the AC Adapter States mode, and in the Startup States mode.

Startup States

When V_{ACDET} rises at startup, the MAX1773/MAX1773A use Startup States. See Table 3 for a detailed listing of the MAX1773/MAX1773A states in this mode. Note that once ACDET rises above 2.2V, the MAX1773/MAX1773A are no longer in the Startup States mode and enters either the Standard Battery States mode or the AC Adapter States mode.

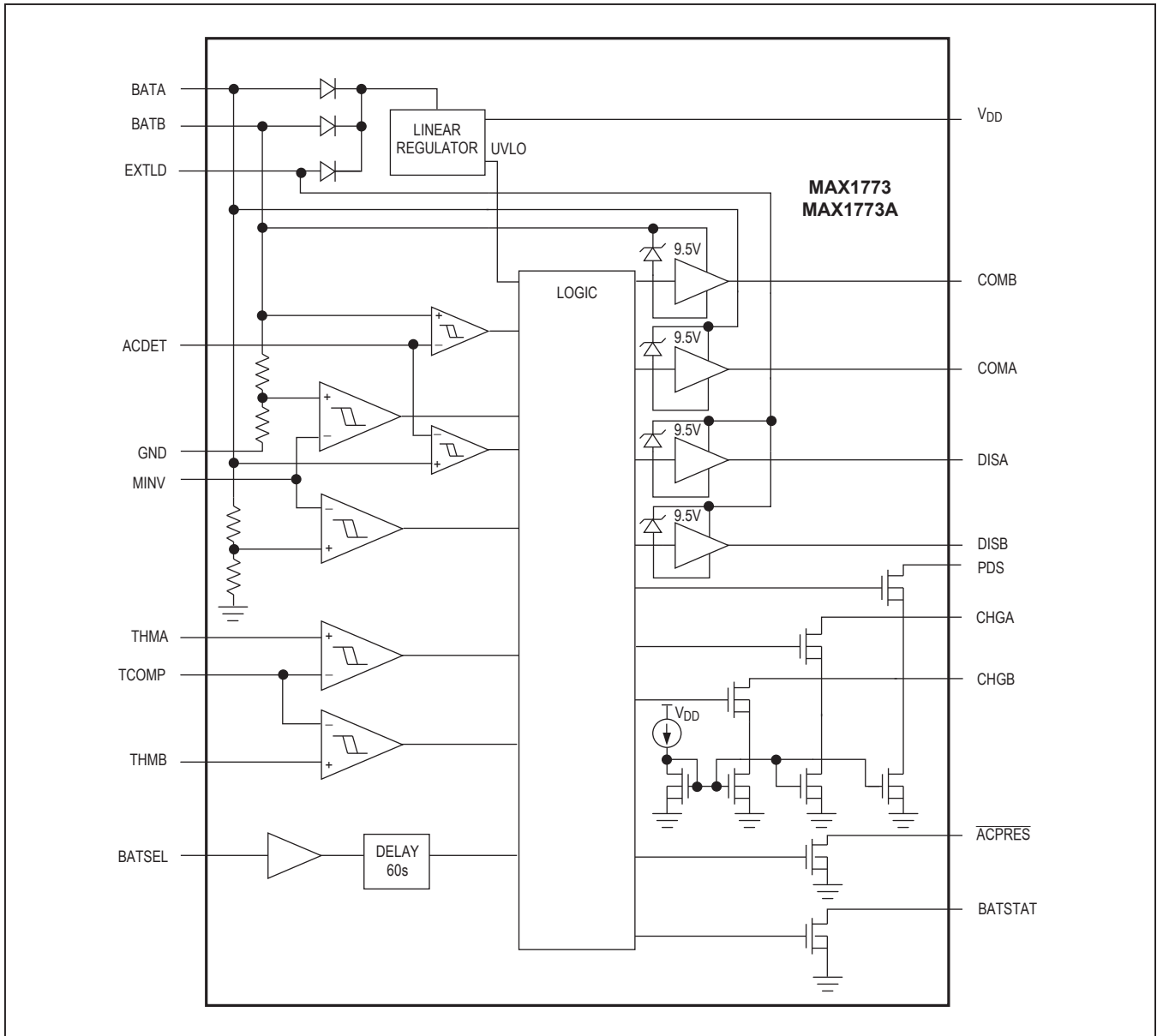


Figure 11. Functional Diagram

Status and Configuration

BATSTAT and $\overline{\text{ACPRES}}$ provide information to an external controller. Table 4 shows the different states of BATSTAT and $\overline{\text{ACPRES}}$.

In the AC Adapter States mode, the BATSEL Action Delay (see the *Electrical Characteristics* table) allows the external controller to tell if both batteries are absent. When both batteries are absent in the AC Adapter States mode

and BATSEL changes states, BATSTAT is immediately updated. However, changes to the connection states are delayed (see Table 1 for connection states).

If BATSEL is returned to its original state within the BATSEL Action Delay, then changes to the connection states are never made. Note that in the Standard Battery States mode and in the AC Adapter States mode when one or both batteries are present, both BATSTAT and the connection states are delayed during the BATSEL Update Delay.

Table 4. Status Bits

MODE	STATUS	BATSTAT	ACPRES
All	V _{DD} Undervoltage Lockout	1	1
Startup States		1	1
Standard Battery States	Selected Battery Discharge Path Connected	BATSEL	1
Standard Battery States	Other Battery Discharge Path Connected	$\overline{\text{BATSEL}}$	1
AC Adapter States	Selected Battery Charge Path Connected	BATSEL	0
AC Adapter States	Selected Battery Absent	$\overline{\text{BATSEL}}$	0

MOSFET Drivers

To minimize the time when no supply is connected to the external load during switchover transients, the MAX1773/MAX1773A use active pullup drivers for the discharge paths (DIS_{_}) and the common paths (COM_{_}). When the MAX1773/MAX1773A initially begin to pull up one of these pins, they use a large current (Initial COM_{_} Source Current and Initial DIS_{_} Source Current; the [Electrical Characteristics](#) table). Once the COM_{_} voltage rises to within 2V of V_{BAT₋} or the DIS_{_} voltage rises to within 2V of V_{EXTLD}, then a weaker driver is used to hold up the voltage (Final COM_{_} Source Current and Final DIS_{_} Source Current; the [Electrical Characteristics](#) table).

The MAX1773/MAX1773A are designed to prevent shoot-through from one battery to the other when transitioning from discharging one battery to discharging the other battery. To accomplish this, the MAX1773/MAX1773A do not connect the second battery to EXTLD until it senses that the first battery is disconnected from EXTLD. See Notes 4 and 5 of the [Electrical Characteristics](#) table.

To allow flexibility when choosing the higher voltage PDS PMOS FET (P7, [Figure 10](#)), the MAX1773/MAX1773A do not limit the gate-to-source voltage applied to the PDS PMOSFET. The minimum V_{GS} is set by the MAX1773/MAX1773A PDS sink current (see the [Electrical Characteristics](#) table) and the external resistor from PDS to EXTLD (R13):

$$V_{GS(MIN)} = -I_{PDS(SINK)} \times R_{PDS}$$

where V_{GS(MIN)} is the minimum P7 gate-to-source voltage, I_{PDS(SINK)} is the PDS sink current, and R_{PDS} is R13.

The MAX1773/MAX1773A use open-collector drivers to open the charge paths. Minimize the value of the pullup resistors on the charge paths (R12 and R14) to allow the MAX1773/MAX1773A to quickly turn on the PMOS FETs;

however, keep the value large enough to prevent a lower V_{GS} than specified by the PMOS FET. The minimum V_{GS} is:

$$V_{GS(MIN)} = -I_{CHG_(SINK)} \times R_{CHG_}$$

where V_{GS(MIN)} is the minimum P1 or P4 gate-to-source voltage, I_{CHG_(SINK)} is the CHG_{_} sink current (see the [Electrical Characteristics](#) table), and R_{CHG₋} is R12 or R14.

V_{DD} Regulator

The MAX1773/MAX1773A feature an internal linear regulator to provide power for itself and external circuitry. The linear regulator's output is available at V_{DD} and is nominally 3.3V. When the linear regulator is not used to power external circuitry, bypass it with a 0.33μF ceramic capacitor. To supply external loads up to 1mA, bypass the linear regulator with a 3.3μF tantalum capacitor.

Applications Information

Load Switchover Transients

When power switches from one power source to another, a transient is created on the load. This transient (ΔV_{EXTLD}) is minimized by the capacitance on the load (C_{EXTLD}). The voltage transient can be approximated as:

$$\Delta V_{EXTLD} = \frac{I_{EXTLD} \times t_{SWITCHOVER}}{C_{EXTLD}}$$

where t_{SWITCHOVER} is the time where no supply is connected to the EXTLD.

In applications where the battery voltage always falls away slowly, t_{SWITCHOVER} is primarily composed of the Battery Switchover Delay. However, in applications where the battery voltage can suddenly fall away, t_{SWITCHOVER} is substantially increased because it is primarily composed of the Battery Action Delay ([Figure 1](#) and [2](#)).

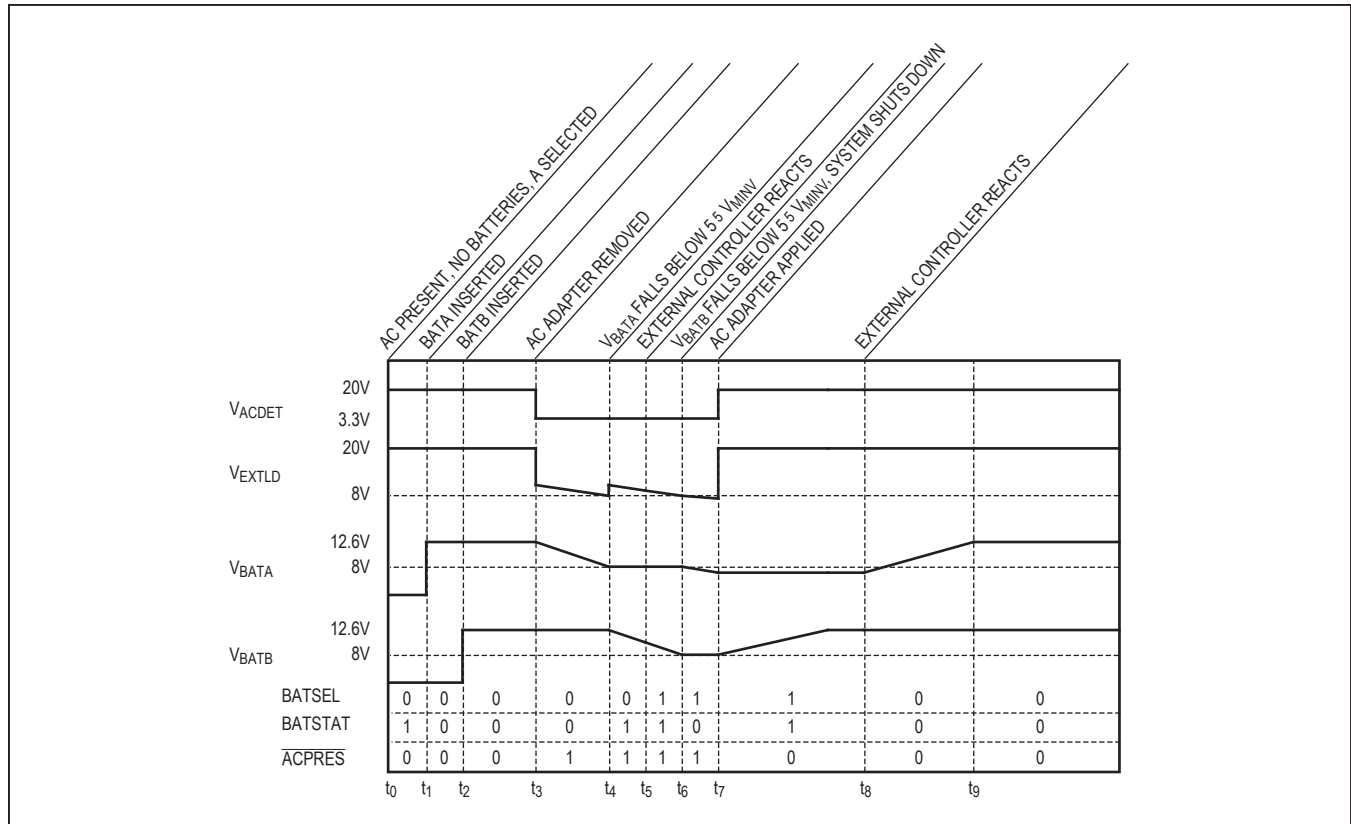


Figure 12. Charge/Discharge Example

Ideally, when a battery is removed from the system, the thermistor connection is broken before the battery’s power path is broken. In this case, t_{SWITCHOVER} is typically bound by the Thermistor Action Delay (Figure 3 and 4). However, if the battery’s power path is broken first, then t_{SWITCHOVER} primarily consists of the shorter of the following times: time until the thermistor connection is broken plus the Thermistor Action Delay, or the Battery Action Delay.

Source Switchover Transients

When the MAX1773/MAX1773A suddenly switch a power supply to the load, they create a current transient from the source to charge up the capacitance on the load. The peak current drawn is approximated by:

$$I_{PK} = \frac{\Delta V_{EXTLOAD}}{R_{SOURCE} + R_{SWITCH} + R_{ESR}}$$

where ΔV_{EXTLOAD} is the voltage difference between the supply switched off and the supply switched on, R_{SOURCE} is the source resistance of the power supply

switched on, R_{SWITCH} is the R_{DS(ON)} of the PMOS FETs in the path, and R_{ESR} is the equivalent series resistance of the output capacitance.

The duration of the current transient is determined by R_{SOURCE}, R_{SWITCH}, R_{ESR}, and the output capacitance. Smaller resistances and less output capacitance reduce the transient duration.

Typical Operation

Figure 12 shows a typical discharge and charge cycle for a system utilizing the MAX1773/MAX1773A, two 3-cell lithium-ion (Li+) batteries, and a 20V AC adapter power supply. The diagram starts with the AC adapter applied, no batteries present, and battery A selected (see the AC Adapter States section). BATSTAT = BATSEL = 1 indicates that battery A is not present and battery A’s charge path is not connected. If the external controller polled the MAX1773/MAX1773A as described in Status and Configuration, then BATSTAT would return BATSEL (0) to indicate that battery B is not present.

Table 5. Recommended Manufacturers

SUPPLIER	PHONE	FAX
Fairchild	408-822-2000	408-822-2102
IR	310-322-3331	310-322-3332
Siliconix	408-988-8000	408-970-3950

At t_1 , battery A is inserted and the MAX1773/MAX1773A connect battery A's charge path. Note that BATSTAT changes to BATSEL (0) to indicate that battery A is present.

At t_2 , battery B is inserted. BATSTAT does not change and still indicates that battery A is present.

At t_3 , the AC adapter is removed and the MAX1773/MAX1773A automatically disconnect battery A's charge path and connect battery A's discharge path (see the [Standard Battery States](#) section). ACPRES changes to 1 to indicate that the AC adapter source is no longer present. BATSTAT = BATSEL (0) to indicate that battery A is present and supplying the load. Between t_3 and t_4 , battery A discharges as it supplies the load.

At t_4 , battery A's voltage falls below $5 \times V_{MIN}$, and the MAX1773/MAX1773A automatically disconnect battery A's discharge path and connect battery B's discharge path. BATSTAT goes to BATSEL (1) to indicate that battery A is no longer supplying the load.

Shortly after BATSTAT goes high, the external controller should catch up to the MAX1773/MAX1773A and change BATSEL. This is shown at t_5 . BATSTAT remains at 1, indicating that battery B is present and supplying the load.

At t_6 , battery B falls below $5 \times V_{MIN}$, and the MAX1773/MAX1773A automatically disconnect battery B's discharge path and connect battery A's discharge path. BATSTAT changes to $\overline{\text{BATSEL}}$ (0) to indicate that battery B is no longer supplying the load. At this point, the exter-

nal controller orders a controlled shutdown of the system and drastically reduces the supply current.

At t_7 , the AC adapter supply is reconnected to the system. The MAX1773/MAX1773A automatically disconnect battery A's discharge path, connects the AC adapter's load path (PDS switch), and connects battery B's charge path. BATSTAT goes to BATSEL (1) to indicate that battery B is present. ACPRES goes to 0 to indicate that the AC adapter source is present.

At t_8 , the external controller recognizes that battery B is charged and changes BATSEL to battery A. BATSTAT goes to BATSEL (0) to indicate that battery A is present.

After t_9 , the batteries are fully charged and the system is ready for another cycle.

Power MOSFET Selection

The MAX1773/MAX1773A do not place stringent requirements on the external PMOS FETs. Use PMOS FETs with low V_{GS} thresholds (logic level FETs). Low $R_{DS(ON)}$ PMOS FETs are desirable since the PMOS FET's resistance directly contributes to power losses. Also, ensure that the PMOS FET's V_{DS} and V_{GS} ratings exceed the specific circuit requirements. See [Table 5](#) for a list of recommended manufacturers.

Layout Guidelines

The MAX1773/MAX1773A do not use fast switching times or high frequencies. Therefore, the layout requirements are minimal. Keep the gate connections to the external PMOS FETs short to minimize capacitive coupling, reduce parasitic inductance, and ensure stability. In addition, minimize the power path length when possible to reduce the path's resistance. See the MAX1773 evaluation kit for a layout example.

Ordering Information

PART	TEMP RANGE	PIN-PACKAGE
MAX1773AEUP	-40°C to +85°C	20 TSSOP

Chip Information

TRANSISTOR COUNT: 5245

PROCESS: BiCMOS

Revision History

REVISION NUMBER	REVISION DATE	DESCRIPTION	PAGES CHANGED
0	12/00	Initial release	—
1	1/03	Added part MAX1773A	1–21
2	5/17	Removed MAX1773 from the <i>Ordering Information</i> table, added <i>Package Information</i> table, and removed <i>Differences Between MAX1773 and MAX1773A</i> section.	2, 18–19

For pricing, delivery, and ordering information, please contact Maxim Direct at 1-888-629-4642, or visit Maxim Integrated's website at www.maximintegrated.com.

Maxim Integrated cannot assume responsibility for use of any circuitry other than circuitry entirely embodied in a Maxim Integrated product. No circuit patent licenses are implied. Maxim Integrated reserves the right to change the circuitry and specifications without notice at any time. The parametric values (min and max limits) shown in the *Electrical Characteristics* table are guaranteed. Other parametric values quoted in this data sheet are provided for guidance.