

+5V Powered Isolated RS-232 Drivers/Receivers

General Description

The MAX250 and MAX251 chip set form the heart of a complete, electrically isolated, RS-232 dual transmitter/receiver. By combining many functions on two chips, the cost and complexity required for an isolated digital interface is greatly reduced. Four low cost optocouplers, four capacitors, a diode and a small pot-core type transformer are all that are required to complete a 19.2k baud transceiver. Faster data rates are possible by using high speed optocouplers. In addition to the driving and receiving circuitry for the optocouplers, the chip set includes a push-pull transformer driver to supply power to the interface's isolated side.

Other convenient features include single +5V operation, a low power shutdown mode, and output enable control for three-state operation. The MAX250 and MAX251 are supplied in 14 lead DIP, 14 lead small outline and 20 leadless chip carrier packages.

The MAX252 has all the required components for RS-232 communication in a single package.

Applications

High Noise Data Communications
Industrial Communications
Data Links To Analog Circuits
Bridge Ground Differentials

Features

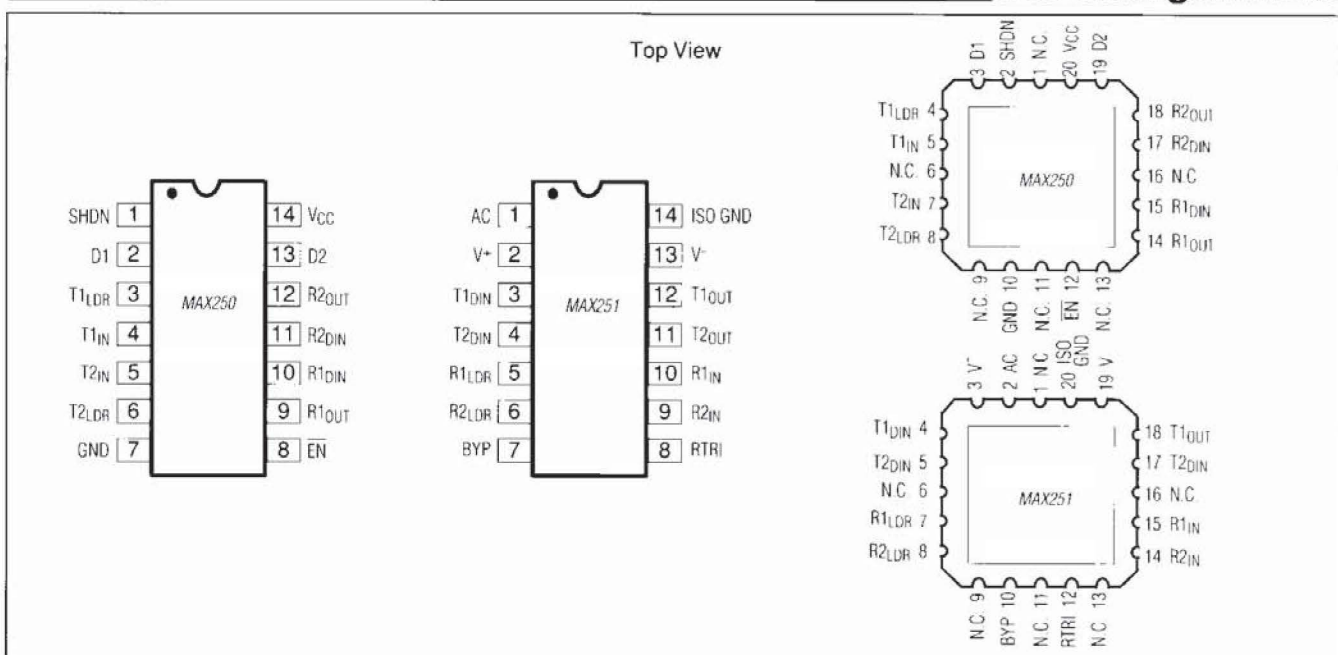
- ◆ Isolated Data Interface
- ◆ Single +5V Supply
- ◆ Uses Low Cost Optocouplers
- ◆ 5μW Low Power Shutdown
- ◆ 2 Transmitters and 2 Receivers

Ordering Information

| PART | TEMP. RANGE | PACKAGE* |
|-----------|-----------------|---------------------|
| MAX250CPD | 0°C to +70°C | 14 Lead Plastic DIP |
| MAX250CSD | 0°C to +70°C | 14 Lead SO |
| MAX250C/D | 0°C to +70°C | Dice |
| MAX250EPD | -40°C to +85°C | 14 Lead Plastic DIP |
| MAX250ESD | -40°C to +85°C | 14 Lead SO |
| MAX250EJD | -40°C to +85°C | 14 Lead CERDIP |
| MAX250MJD | -55°C to +125°C | 14 Lead CERDIP |
| MAX250MLP | -55°C to +125°C | 20 Lead LCC |
| MAX251CPD | 0°C to +70°C | 14 Lead Plastic DIP |
| MAX251CSD | 0°C to +70°C | 14 Lead SO |
| MAX251C/D | 0°C to +70°C | Dice |
| MAX251EPD | -40°C to +85°C | 14 Lead Plastic DIP |
| MAX251ESD | -40°C to +85°C | 14 Lead SO |
| MAX251EJD | -40°C to +85°C | 14 Lead CERDIP |
| MAX251MJD | -55°C to +125°C | 14 Lead CERDIP |
| MAX251MLP | -55°C to +125°C | 20 Lead LCC |

* Maxim reserves the right to ship Ceramic packages in lieu of CERDIP packages.

Pin Configurations



For pricing, delivery, and ordering information, please contact Maxim Direct at 1-888-629-4642, or visit Maxim's website at www.maximintegrated.com.

MAX250/MAX251

+5V Powered Isolated RS-232 Drivers/Receivers

ABSOLUTE MAXIMUM RATINGS: MAX250

Supply Voltage, V_{CC} 6V
 Input Voltages -0.3V to ($V_{CC} + 0.3V$)
 Output Drive Current, D1, D2 240mA
 Output Drive Voltage, D1, D2 $V_{CC} + 6V$
 Opto Driver pins T1_{LDR}, T2_{LDR}, R1_{OUT} and R2_{OUT} may be shorted one at a time indefinitely to V_{CC} or GND

Power Dissipation
 Plastic DIP (derate 7mW/°C above 70°C) 375mW
 CERDIP (derate 9.5mW/°C above 70°C) 675mW
 Small Outline (derate 7mW/°C above 70°C) 375mW
 LCC (derate 7mW/°C above 70°C) 375mW
 Lead Temperature (Soldering, 10 seconds) +300°C
 Storage Temperature -65°C to +160°C

Stresses above those listed under "Absolute Maximum Ratings" may cause permanent damage to the device. These are stress ratings only and functional operation of the device at these or any other conditions above those indicated in the operational section of the specification is not implied. Exposure to absolute maximum rating conditions for extended periods may affect device reliability.

ELECTRICAL CHARACTERISTICS: MAX250

($V_{CC} = 5V \pm 10\%$, $T_A =$ Full Temperature Range unless otherwise noted.)

| PARAMETER | SYMBOL | CONDITIONS | MIN | TYP | MAX | UNITS |
|----------------------------------|-----------------------|---|-----|-------|-----------|---------------|
| Supply Voltage Range | V_{CC} | Over Temp. | 4.5 | | 5.5 | V |
| Operating Supply Current | I_{CC} | D1, D2 Open | | 0.1 | 0.5 | mA |
| Shutdown Supply Current | I_{CS} | Shutdown $T_A = -40^\circ\text{C}$ to $+85^\circ\text{C}$ $T_A = -55^\circ\text{C}$ to $+125^\circ\text{C}$ | | 1 | 10 100 | μA |
| Input Currents | I_{EN} , I_{SHDN} | input = GND to V_{CC} | | 0.001 | 1 | μA |
| POWER DRIVER D1, D2 | | | | | | |
| Switch Frequency | $f_{D1, D2}$ | $V_{CC} = 5V$, $T_A = 25^\circ\text{C}$ | 100 | 200 | 275 | kHz |
| ON Resistance Power Driver | $r_{DS(ON)}$ | At 25 mA | | 25 | 50 | Ω |
| Leakage Current | | | | | 10 | μA |
| Zener Clamp Voltage | V_{CL} | w. r. t. V_{CC} | 6 | 8 | 10 | V |
| DRIVER SECTION | | | | | | |
| Pull-up Current Input source | I_P | $V_{CC} = 5V$, $V_{IN} = 0V$, $T_A = 25^\circ\text{C}$ | 2 | 3 | 6 | μA |
| Current Output Source | I_S | $V_{OUT} = 1.4V$, $T_A = 25^\circ\text{C}$ | -5 | -8 | -15 | mA |
| TTL/CMOS Output Voltage Low | V_{OL} | $I_{OUT} = 3.2\text{mA}$ | | | 0.4 | V |
| TTL/CMOS Output Voltage High | V_{OH} | $I_{OUT} = -1.0\text{mA}$ | 2.4 | | | V |
| Input Logic Threshold High | V_{IH} | T_{IN} , R_{DIN} , \overline{EN} , Shutdown | | 1.8 | 2.4 | V |
| Input Logic Threshold Low | V_{IL} | T_{IN} , R_{DIN} , \overline{EN} , Shutdown | 0.8 | 1.3 | | V |
| Input Hysteresis | V_{IHYS} | | | 0.5 | | V |
| Leakage Current Input and Output | I_I | (\overline{EN} or Shutdown) = V_{CC} | | | 10 | μA |
| Input Capacitance | C_{IN} | | | 5 | | pF |

MAX250/MAX251

+5V Powered Isolated RS-232 Drivers/Receivers

ABSOLUTE MAXIMUM RATINGS: MAX251

| | | | |
|---|----------------------------------|---|-----------------|
| Positive Input Voltage, AC terminal | 15V | Diode Forward Current (AC to V ⁺) | 250mA |
| Positive Input Voltage, V ⁺ terminal | 14V | Reverse Diode Voltage | -28V |
| Negative Input Voltage, V ⁻ terminal | -14V | Power Dissipation | |
| RS-232 Input Voltage | -30V to 30V | Plastic DIP (derate 7mW/°C above 70°C) | 375mW |
| RS-232 Applied Output Voltage | -15V to 15V | CERDIP (derate 9.5mW/°C above 70°C) | 675mW |
| Tristate Input Voltage, V _{RTRI} | -0.3V to (V ⁺ + 0.3V) | Small Outline (derate 7mW/°C above 70°C) | 375mW |
| RS-232 Transmitters may be indefinitely shorted to GND | | LCC (derate 7mW/°C above 70°C) | 375mW |
| Opto Driver pins R1 _{LDR} , R2 _{LDR} may be shorted one at a time indefinitely to GND | | Lead Temperature (Soldering, 10 seconds) | +300°C |
| | | Storage Temperature | -65°C to +160°C |

Stresses above those listed under "Absolute Maximum Ratings" may cause permanent damage to the device. These are stress ratings only and functional operation of the device at these or any other conditions above those indicated in the operational section of the specification is not implied. Exposure to absolute maximum rating conditions for extended periods may affect device reliability.

ELECTRICAL CHARACTERISTICS: MAX251

(Test Circuit 1. See Figure 3. T_A = Full Temperature Range unless otherwise noted.)

| PARAMETER | SYMBOL | CONDITIONS | MIN | TYP | MAX | UNITS |
|--------------------------------------|-------------------|---|-----|------|-----|-------|
| Positive Supply Current | I ⁺ | R _L = ∞ | | 0.7 | 2.5 | mA |
| Negative Supply Current | I ⁻ | R _L = ∞ | | 0.45 | 1.0 | mA |
| RS-232 CHARACTERISTICS | | | | | | |
| RS-232 Output Voltage Swing | T _{VS} | All Transmitter Outputs loaded with 3kΩ to Ground | ±5 | ±7.2 | | V |
| RS-232 Output Leakage Current | T _{OL} | V ⁺ = V ⁻ = 0V T _{OUT} = ±15V | -10 | | +10 | μA |
| RS-232 Input Threshold High | V _{IH} | | | 1.8 | 3.0 | V |
| RS-232 Input Threshold Low | V _{IL} | | 0.6 | 1.2 | | V |
| RS-232 Input Hysteresis | V _{IHYS} | | | 0.6 | | V |
| RS-232 Input Resistance | | T _A = 25°C | 3 | | 7 | kΩ |
| 3-State Enable | t _{FN} | | | 3.5 | | μs |
| 3-State Disable | t _{DS} | | | 1.0 | | μs |
| Transmitter Slew Rate | | R _L = 3kΩ, C _L = 2500pF | 3 | | | V/μs |
| OPTOINTERFACE CHARACTERISTICS | | | | | | |
| Input Pull-up Current | I _P | T _A = 25°C | 2.5 | 4 | 6 | μA |
| Input Pull-up Voltage Clamp | V _{PCL} | w. r. t. ISO GND | | 3 | | V |
| Input Threshold Voltage High | V _{IH} | | | 1.5 | 2 | V |
| Input Threshold Voltage Low | V _{IL} | | 0.8 | 1.2 | | V |
| Input Hysteresis Voltage | V _{IHYS} | | | 0.3 | | V |

MAX250/MAX251

+5V Powered Isolated RS-232 Drivers/Receivers

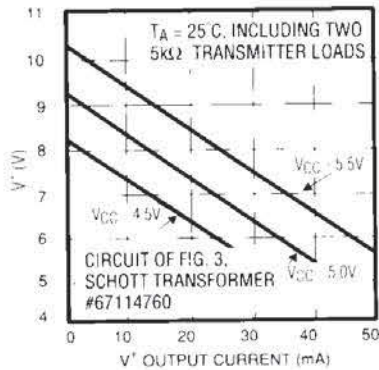
ELECTRICAL CHARACTERISTICS: MAX251 (continued)

(Test Circuit 1, See Figure 3, T_A = Full Temperature Range unless otherwise noted.)

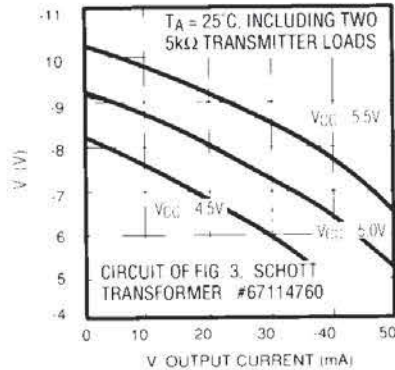
| PARAMETER | SYMBOL | CONDITIONS | MIN | TYP | MAX | UNITS |
|---|-----------|---------------------------------------|-----|-----|-----|---------|
| Output Source Current | I_{PH} | $V_{OUT} = 1.4V$, $T_A = 25^\circ C$ | -12 | -7 | -5 | mA |
| Output Voltage Low | V_{OL} | $I_{OUT} = 3.2mA$ | | | 0.4 | V |
| Output Leakage Current, $R1_{LDR}$, $R2_{LDR}$ | I_L | (RTR) or Shutdown) = +5V | | | 10 | μA |
| 3-STATE CONTROL | | | | | | |
| Pulldown Current | I_{IPD} | $V = GND$ | 10 | 4 | 1 | μA |
| Threshold Voltage | V_T | | 0.6 | 1.4 | 2 | V |

Typical Operating Characteristics

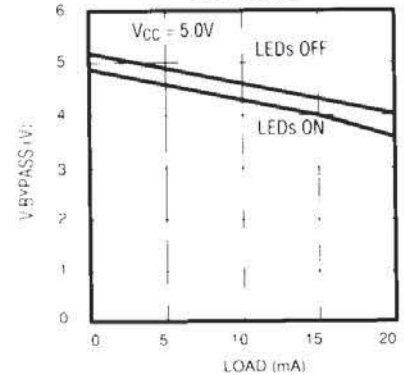
MAX251 V^+ SUPPLY VOLTAGE vs. LOAD CURRENT



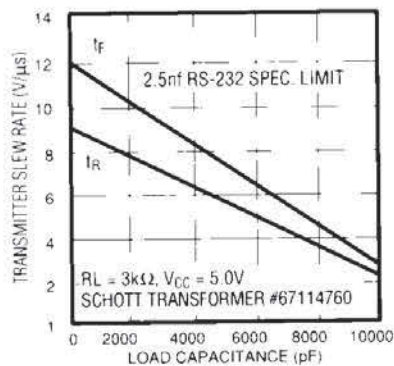
MAX251 V^- SUPPLY VOLTAGE vs. LOAD CURRENT



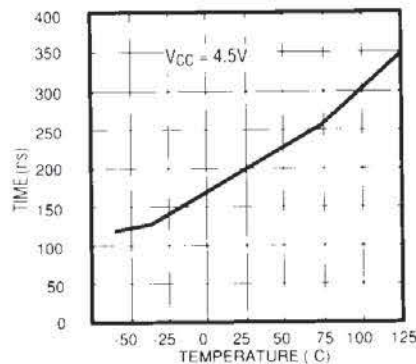
MAX251 V^- BYPASS vs. LOAD



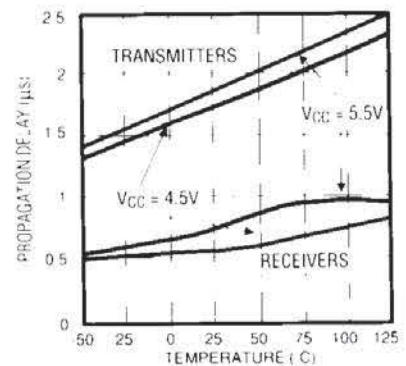
MAX251 TRANSMITTER SLEW RATE vs. LOAD CAPACITANCE



MAX250 PROPAGATION DELAY vs. TEMPERATURE



MAX251 PROPAGATION DELAY vs. TEMPERATURE

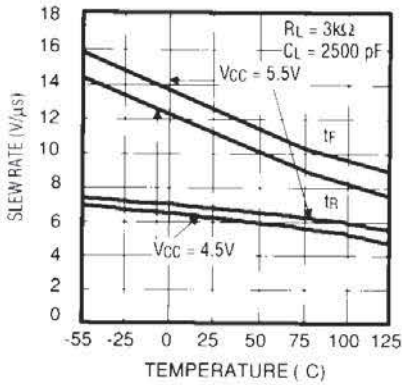


MAX250/MAX251

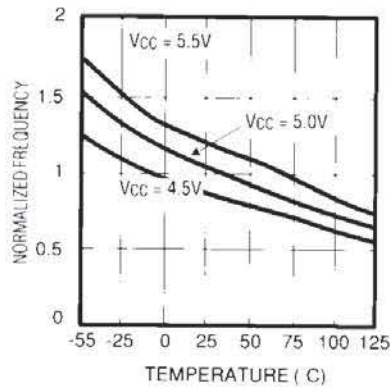
+5V Powered Isolated RS-232 Drivers/Receivers

Typical Operating Characteristics (continued)

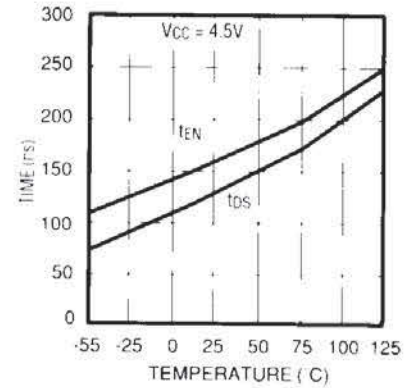
**MAX251 TRANSMITTER
SLEW RATE
vs. TEMPERATURE**



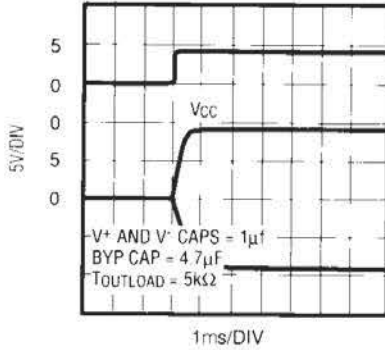
**MAX250 D1, D2
SWITCH FREQUENCY
vs. TEMPERATURE**



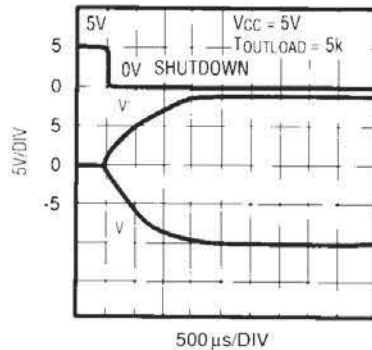
**MAX250 ENABLE,
DISABLE TIME
vs. TEMPERATURE**



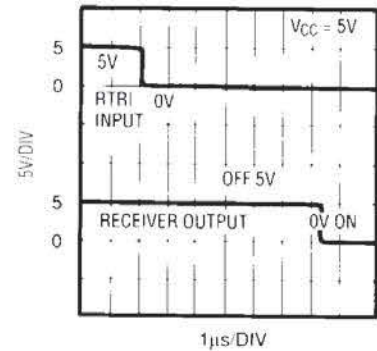
**POWER UP DELAY FROM
MAX250 Vcc TO MAX251
TRANSMITTER OUTPUTS**



**TIME FROM SHUTDOWN
TO POWER UP**



**RTRI DELAY TIME
TO RECEIVER
OUTPUT ACTIVE**



MAX250/MAX251

+5V Powered Isolated RS-232 Drivers/Receivers

Pin Description

| MAX250 LCC PIN# | MAX250 DIP & SO PIN# | SYMBOL | DESCRIPTION |
|-----------------------|----------------------------|-------------------|---|
| 1 | - | N.C. | |
| 2 | 1 | SHDN | Shutdown: When +5V, turns off the oscillator, disconnects driver input pull-up resistors and opens D1, D2. For normal operation, ground shutdown. |
| 3 | 2 | D1 | Open Drain of Transformer Driver MOSFET |
| 4 | 3 | T1 _{LDR} | Transmitter #1 LED Driver |
| 5 | 4 | T1 _{IN} | TTL/CMOS Transmitter #1 Input |
| 6 | - | N.C. | |
| 7 | 5 | T2 _{IN} | TTL/CMOS Transmitter #2 Input |
| 8 | 6 | T2 _{LDR} | Transmitter #2 LED Driver |
| 9 | - | N.C. | |
| 10 | 7 | GND | Ground |
| 11 | - | N.C. | |
| 12 | 8 | EN | Output Enable: When +5V, Pins T1 _{LDR} , T2 _{LDR} , R1 _{OUT} and R2 _{OUT} go Hi impedance |
| 13 | - | N.C. | |
| 14 | 9 | R1 _{OUT} | TTL/CMOS Receiver #1 Output |
| 15 | 10 | R1 _{DIN} | Receiver #1 Detector Input |
| 16 | - | N.C. | |
| 17 | 11 | R2 _{DIN} | Receiver #2 Detector Input |
| 18 | 12 | R2 _{OUT} | TTL/CMOS Receiver #2 Output |
| 19 | 13 | D2 | Open Drain of Transformer Driver MOSFET |
| 20 | 14 | V _{CC} | +5V Positive Supply Voltage |

| MAX251 LCC PIN# | MAX251 DIP & SO PIN# | SYMBOL | DESCRIPTION |
|-----------------------|----------------------------|-------------------|---|
| 1 | - | N.C. | |
| 2 | 1 | AC | Anode of Input Power Supply Diode |
| 3 | 2 | V ⁺ | Positive Supply Output Terminal |
| 4 | 3 | T1 _{DIN} | Transmitter #1 Detector Input |
| 5 | 4 | T2 _{DIN} | Transmitter #2 Detector Input |
| 6 | - | N.C. | |
| 7 | 5 | R1 _{LDR} | Receiver #1 LED Driver |
| 8 | 6 | R2 _{LDR} | Receiver #2 LED Driver |
| 9 | - | N.C. | |
| 10 | 7 | BYP | Internal V _{CC} Bypass Point |
| 11 | - | N.C. | |
| 12 | 8 | RTR1 | Receiver Output 3-State: When +5V, Receiver Outputs go Hi impedance |
| 13 | - | N.C. | |
| 14 | 9 | R2 _{IN} | RS-232 Receiver #2 Input |
| 15 | 10 | R1 _{IN} | RS-232 Receiver #1 Input |
| 16 | - | N.C. | |
| 17 | 11 | T2 _{OUT} | RS-232 Transmitter #2 Output |
| 18 | 12 | T1 _{OUT} | RS-232 Transmitter #1 Output |
| 19 | 13 | V | Negative Supply Output Voltage |
| 20 | 14 | ISO GND | Isolated Ground |

MAX250/MAX251

+5V Powered Isolated RS-232 Drivers/Receivers

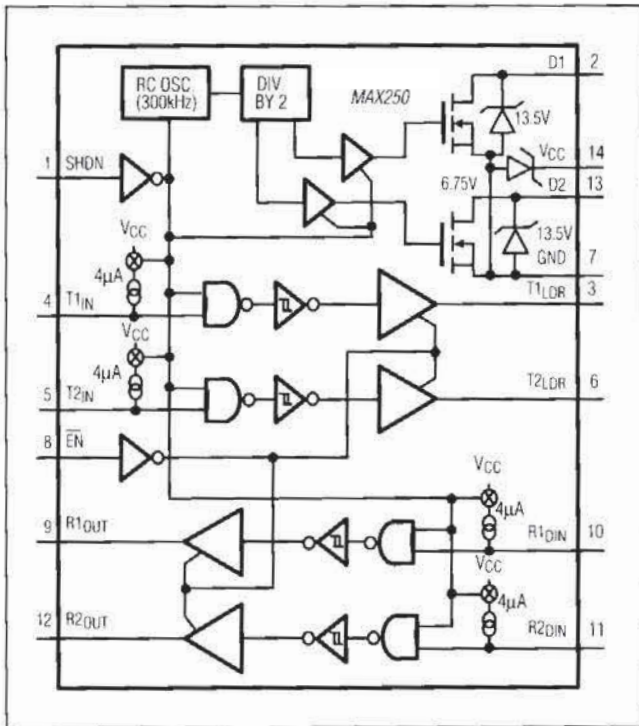


Figure 1. MAX250 Block Diagram

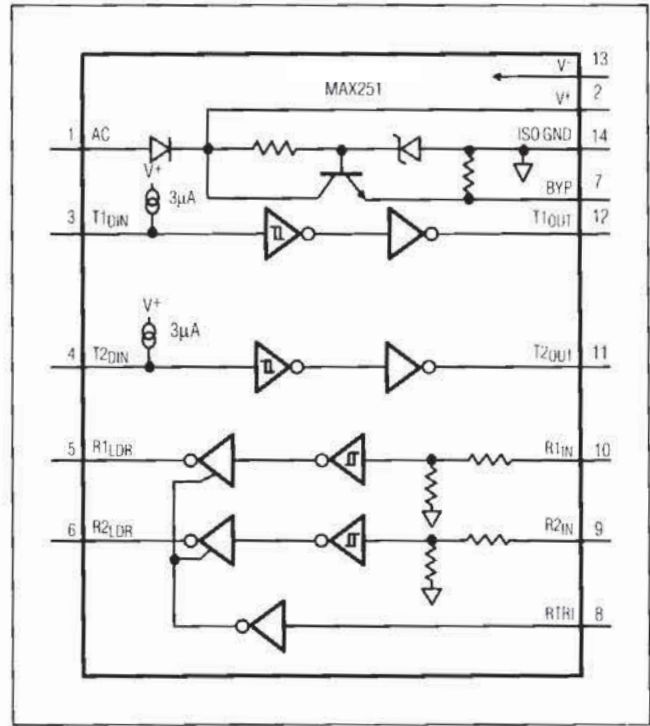


Figure 2. MAX251 Block Diagram

Typical Applications

Figure 3 shows the typical connection for a complete 19.2k baud isolated RS-232 circuit. Figure 3 also shows how 4N26 optocouplers can be replaced by 6N136 devices to achieve 90k baud rates.

A recommended printed circuit board layout is shown in Figure 4. This may be modified for individual designs but two important factors should be considered. 1.) To maximize isolation, the "isolation line" through the center of Figure 4 should not be breached. Connections and components from one side of the board should not be located near those of the other side. 2.) Since the optocoupler outputs are relatively high impedance nodes, they should be located as close as possible to the MAX250 and MAX251. This minimizes stray capacitance and maximizes data rate.

When the MAX250's shutdown input (SHDN) is taken high, power is removed from the MAX251, and the RS-232 transmitter outputs (T1OUT, T2OUT) go to high impedance states. Timing plots in the Typical Operating Characteristics section show the turn-on and enable delays for various control functions.

The circuit in Figure 4 has been laid out so that it can be used for either a one or two sided PC board. The lines that are thick from one IC pad to the next IC pad are on the bottom side. Lines that are broken by a thin line can

either go on the top side of the board or on the bottom side with jumpers where the thin lines appear. At no time should any lines cross the middle of the board at the isolation barrier.

The MAX250 and MAX251 have a logic inversion in the optocoupler when using the standard configuration. For applications where no inversion is required, or more LED drive current is needed, Figure 5 shows the output structure of the LDR output. The LDR output can typically source 7mA and sink 25mA. Because of the higher sinking capability, a current limiting resistor is required.

Detailed Description

The MAX250 and MAX251, together with four optocouplers and a transformer, form an isolated dual RS-232 transmitter and receiver (See Figure 3). The MAX250 connects to the non-isolated or "logic" side of the interface, translating logic signals to and from the optocouplers, while the MAX251 resides on the isolated or "cable" side, translating data between the optocouplers and RS-232 line drivers and receivers. In addition to the optocoupler drivers and receivers, the MAX250 also contains isolation transformer drive circuitry which supplies power to the isolated side of the interface, and the MAX251.

MAX250/MAX251

+5V Powered Isolated RS-232 Drivers/Receivers

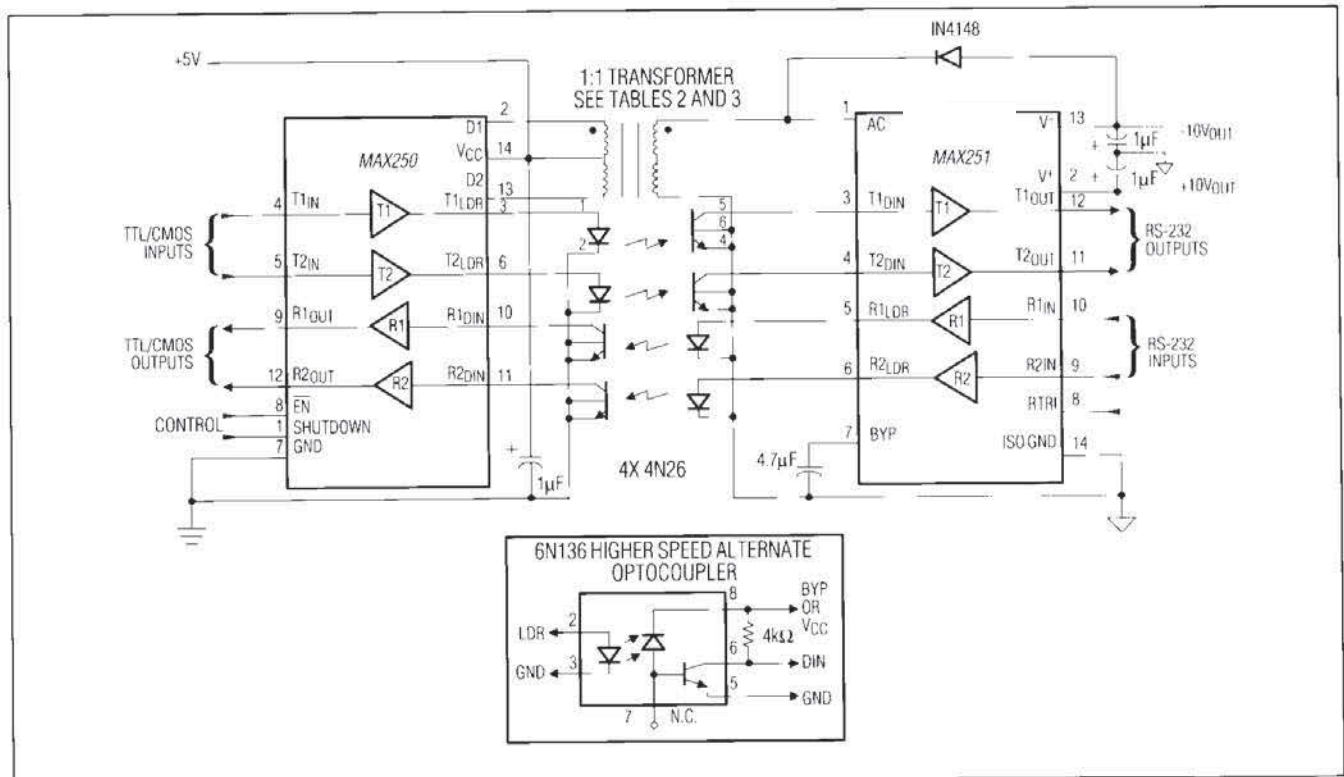


Figure 3. Isolated RS-232 Interface

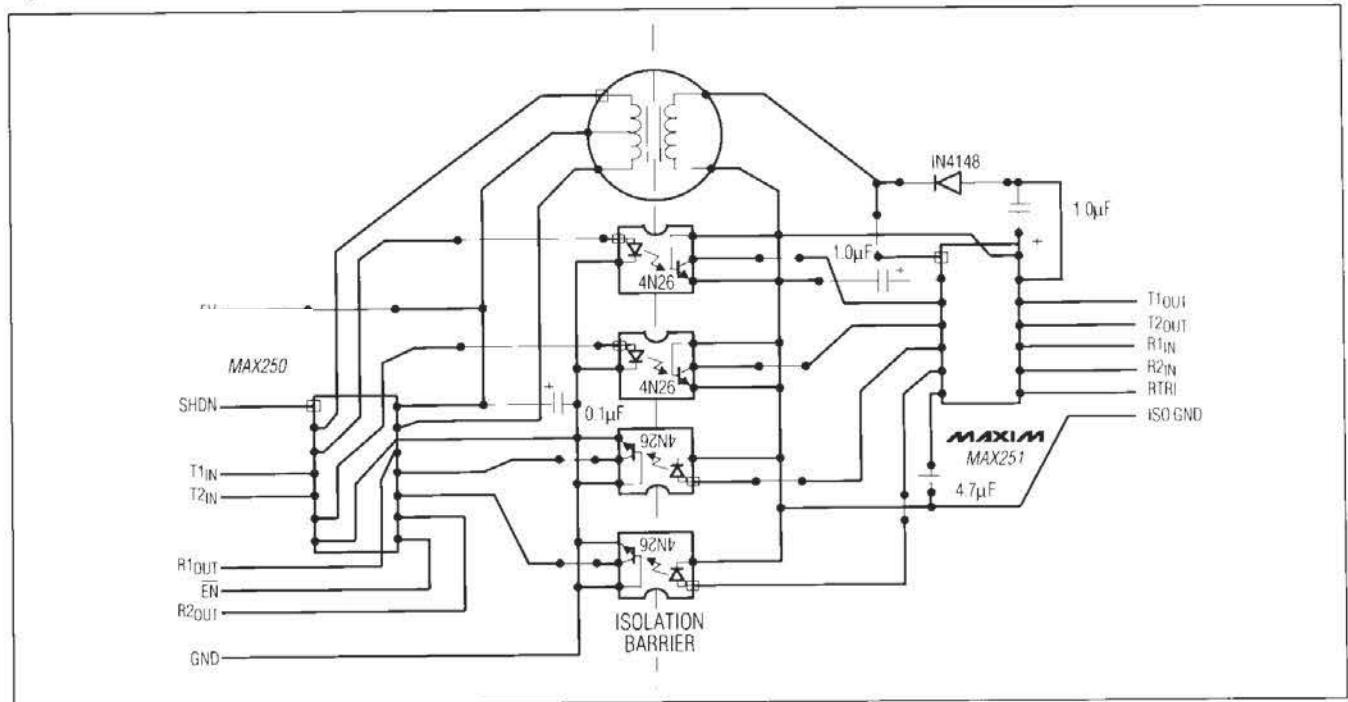


Figure 4. Recommended PC Board Layout for Dual Channel, Optoisolated, Self-Powered RS-232

MAX250/MAX251

+5V Powered Isolated RS-232 Drivers/Receivers



Figure 5. LDR Output Structure

MAX250

The MAX250 contains four identical noninverting drivers whose outputs may be used either as optocoupler LED drivers or as TTL/CMOS logic outputs. Each driver input ($T1_{IN}$, $T2_{IN}$, $R1_{DIN}$, $R2_{DIN}$) has a "weak" $4\mu A$ internal pull-up current source, and 0.5V of hysteresis to improve noise rejection. The input logic thresholds conform to standard TTL/CMOS specifications.

In normal operation, the MAX250 driver outputs ($T1_{LDR}$, $T2_{LDR}$, $R1_{OUT}$, $R2_{OUT}$) source 7mA via internal current sources and do not require limiting resistors when driving grounded optocoupler LEDs or CMOS/TTL logic inputs. The outputs can also sink up to 25mA when the current is limited by external resistors.

D1 and D2 are open-drain N-Channel MOSFETs which drive an external isolation transformer in push-pull fashion at 150kHz with a 50% duty cycle. A 1:1 transformer turns ratio provides a 10V peak-to-peak output at the secondary. Specifications and suitable manufacturer's part numbers for this transformer are listed in Tables 2 and 3. No transformer snubbers are required because D1 and D2 are protected against switching transients by internal 13.5V zener clamp diodes as shown in Figure 1.

The MAX250 functions also include an output enable control (EN) and a SHUTDOWN pin (SHDN). EN puts all driver outputs into a high impedance state when driven high. SHDN, when pulled high, disables the following MAX250 functions:

- 1.) Disables D1 and D2;
- 2.) Turns off the oscillator;
- 3.) Shuts off $4\mu A$ pull-up currents at driver inputs;
- 4.) Resets driver outputs to a low state;
- 5.) Lowers power consumption to $5\mu W$.

MAX251

The MAX251 connects to the "cable" side of the RS-232 interface and includes two line drivers and receivers along with circuitry to translate these levels to optocoupler signals. The RS-232 inputs ($R1_{IN}$, $R2_{IN}$) and outputs ($T1_{OUT}$, $T2_{OUT}$) completely conform to all EIA RS-232C and CCITT V.28 specifications. The receiver outputs ($R1_{LDR}$, $R2_{LDR}$) source 7mA and can drive optocoupler inputs without external current limiting resistors. The MAX251 transmitter inputs ($T1_{DIN}$, $T2_{DIN}$) contain $4\mu A$ internal pull-ups which allow direct connection to optocoupler output transistors, again without external resistors.

When the MAX251's $RTRI$ input is pulled high, the receiver outputs ($R1_{LDR}$, $R2_{LDR}$) are disabled and go to a high impedance state. In normal operation, this pin is left open or grounded.

Optocoupler Limitations

In Figure 3, the 4N26 optocouplers are connected in "diode mode" to optimize cost and data rate. While Current Transfer Ratio (CTR) is generally unspecified for this configuration, optocouplers from several manufacturers have been successfully tested in this circuit. The MAX250/MAX251 require a minimum optocoupler current transfer ratio of 0.12%, but may exhibit data rate limitations from the combined effect of higher MAX250/MAX251 drive and high optocoupler CTR.

The 6N136 optocouplers, shown in the inset in Figure 3 and listed in Table 1, operate in phototransistor mode, with limiting values of CTR specified by the manufacturers.

If further information is required, please contact Maxim Applications.

MAX250/MAX251

+5V Powered Isolated RS-232 Drivers/Receivers

Component Selection

Optoisolators

Optoisolator manufacturers are listed in Table 1 for easy selection. The MAX250/251 combination can be used with a 4N26 to obtain a 19.2k baud rate when used in the

diode-to-diode mode (base tied to the emitter). When the MAX250/251 is used with the 6N136, a 90k baud rate can be achieved when a 4k Ω pull-up resistor to 5V is used on pin 6 of the 6N136.

Table 1. Manufacturers of Optoisolators

| PART NO. | MFGS | SUGGESTED R _L | V _{IOS} (V _{PK}) | TYP. PROP t _{pHL} | t _{pLH} |
|----------|--------------------|-----------------------------|--|-------------------------------|------------------|
| 4N25 | MOT,PHL,QT,SM,TRW* | NONE ² | 2500V | 14 μ s | 6.3 μ s |
| 4N26 | MOT,PHL,QT,SM,TRW | NONE ² | 1500V | 14 μ s | 4.3 μ s |
| 6N136 | HP,QT,TRW | 4K | 2500V | 1.8 μ s | 1.5 μ s |

* MOT= Motorola Inc. (303) 337-3434
PHL= Phillips (401) 232-0500
QT = Quality Technologies (General Instrument) (415) 493-0400
SM = Siemens Components (408) 257-7910
TRW= TRW Electronic Components Group (214) 323-2200

Note 1: This list does not constitute an endorsement by Maxim Integrated Products and is not intended to be a comprehensive list of all manufacturers of these components.

Note 2: When used with a MAX250/251.

Transformers

Table 2 is a list of transformer characteristics that should be used to customize your own transformer. Table 3 is a list of transformers that are compatible with the

MAX250/251 chip set. The list includes both transformers that are small and more expensive and transformers that are larger and less expensive.

Table 2. Transformer Characteristics

| | |
|--------------------------|------------------------|
| Pri. Inductance | 1mH to 2.5mH |
| Pri. Leakage Inductance | 30 μ H |
| Turns Ratio | 1:1 Pri. center tapped |
| ET | 50V- μ s |
| Switching Frequency | 150kHz |
| Interwinding Capacitance | < 100pF |
| DC Resistance | < 2 Ω |
| I _{pk} | 300mA |
| Dielectric Strength | > 1500 VAC/1sec. |

MAX250/MAX251

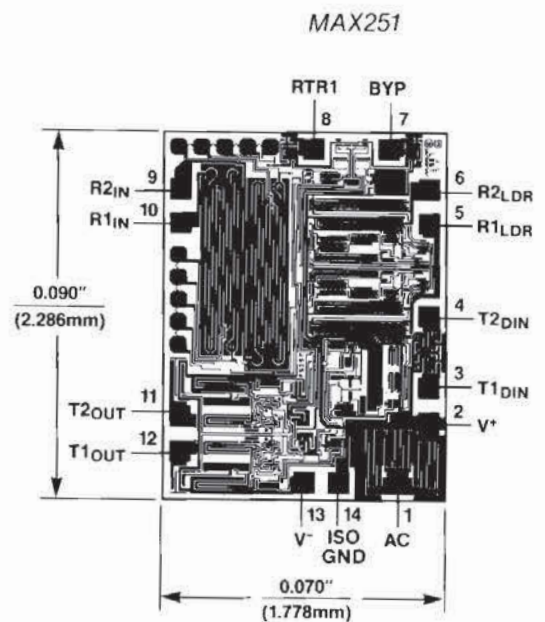
+5V Powered Isolated RS-232 Drivers/Receivers

Table 3. Transformers Selection for Common Designs

| MANUFACTURERS | LESS EXPENSIVE | SMALL |
|--|----------------|----------|
| BH ELECTRONICS 604 Michigan Rd. Marshall, MN 56258 (507) 532-3211 | Q6471-1 | Q6471-2 |
| MINI-MAGNETICS 1100 Fulton Place Fremont, CA 94539-7077 (415) 490-7500 | MM2757 | MM2758 |
| SCHOTT Corporation 1000 Parkers Lake Rd. Minneapolis, MN 55391 (612) 475-1173 | 67114760 | 67117970 |

Note 1: This list does not constitute an endorsement by Maxim Integrated Products and is not intended to be a comprehensive list of all manufacturers of these components.

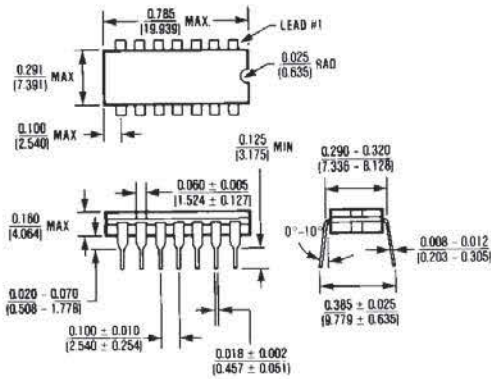
Chip Topographies



MAX250/MAX251

+5V Powered Isolated RS-232 Drivers/Receivers

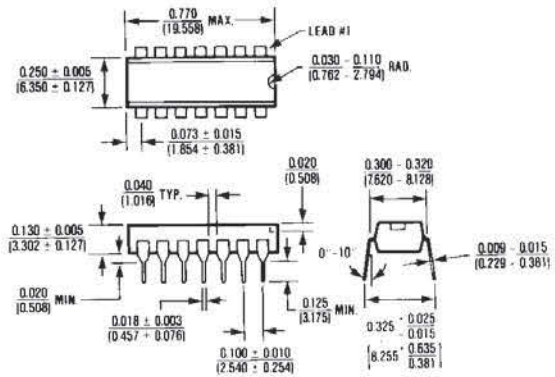
Package Information



14 Lead CERDIP (JD)

$$\theta_{JA} = 105^{\circ}\text{C/W}$$

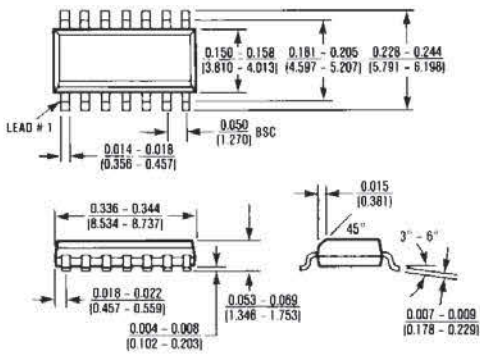
$$\theta_{JC} = 50^{\circ}\text{C/W}$$



14 Lead Plastic DIP (PD)

$$\theta_{JA} = 140^{\circ}\text{C/W}$$

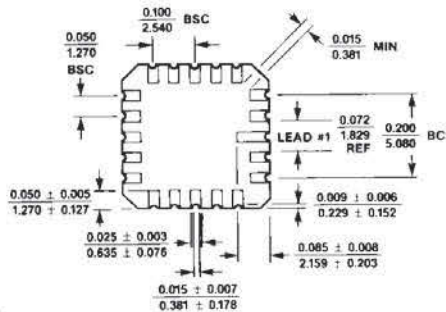
$$\theta_{JC} = 70^{\circ}\text{C/W}$$



14 Lead Small Outline (SD)

$$\theta_{JA} = 115^{\circ}\text{C/W}$$

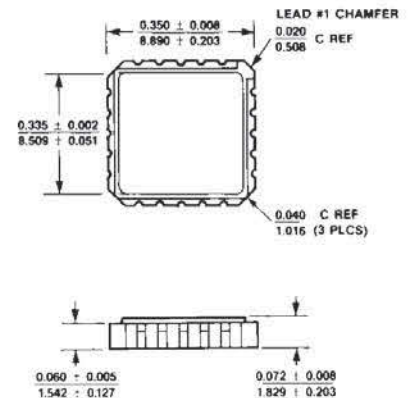
$$\theta_{JC} = 60^{\circ}\text{C/W}$$



20 Leadless Chip Carrier (LP)

$$\theta_{JA} = 140^{\circ}\text{C/W}$$

$$\theta_{JC} = 45^{\circ}\text{C/W}$$



MAX250/MAX251

+5V Powered Isolated RS-232 Drivers/Receivers



Maxim cannot assume responsibility for use of any circuitry other than circuitry entirely embodied in a Maxim product. No circuit patent licenses are implied. Maxim reserves the right to change the circuitry and specifications without notice at any time. The parametric values (min and max limits) shown in the Electrical Characteristics table are guaranteed. Other parametric values quoted in this data sheet are provided for guidance.

Maxim Integrated 160 Rio Robles, San Jose, CA 95134 USA 1-408-601-1000

13