

# MAX32620/MAX32621

# High-Performance, Ultra-Low Power Arm Cortex-M4 with FPU-Based Microcontroller for Rechargeable Devices

## General Description

DARWIN is a new breed of low-power microcontrollers built to thrive in the rapidly evolving Internet of Things (IoT). They are smart, with the biggest memories in their class and a massively scalable memory architecture. They run forever, thanks to wearable-grade power technology. They are also tough enough to withstand the most advanced cyberattacks. DARWIN microcontrollers are designed to run any application imaginable—in places where you would not dream of sending other microcontrollers.

Generation U microcontrollers are perfect for wearables and IoT applications that cannot afford to compromise power or performance. The MAX32620/MAX32621 feature an Arm® Cortex®-M4 with FPU CPU that delivers high-efficiency signal processing, ultra-low power consumption and ease of use.

Flexible power modes, an intelligent PMU, and dynamic clock and power gating optimize performance and power consumption for each application. Internal oscillators run at 96MHz for high-performance or 4MHz to maximize battery life in applications requiring always-on monitoring.

Multiple SPI, UART, I<sup>2</sup>C, 1-Wire® master, and USB interfaces are provided. The four-input, 10-bit ADC with selectable references can monitor external sensors.

All versions provide a hardware AES engine. The MAX32621 provides a secure trust protection unit (TPU) with a modular arithmetic accelerator (MAA) for fast ECDSA, a hardware PRNG entropy generator, and a secure boot loader. The MAX32620L provides a reduced 1MB of flash memory.

This data sheet applies to revision C and later. Legacy mode operation provides compatibility with revision A.

## Applications

- Sport Watches
- Fitness Monitors
- Wearable Medical Patches
- Portable Medical Devices
- Sensor Hub

*Arm and Cortex are registered trademarks of Arm Limited (or its subsidiaries) in the US and/or elsewhere.*

*1-Wire is a registered trademark of Maxim Integrated Products, Inc.*

**Ordering Information** appears at end of data sheet.

## Benefits and Features

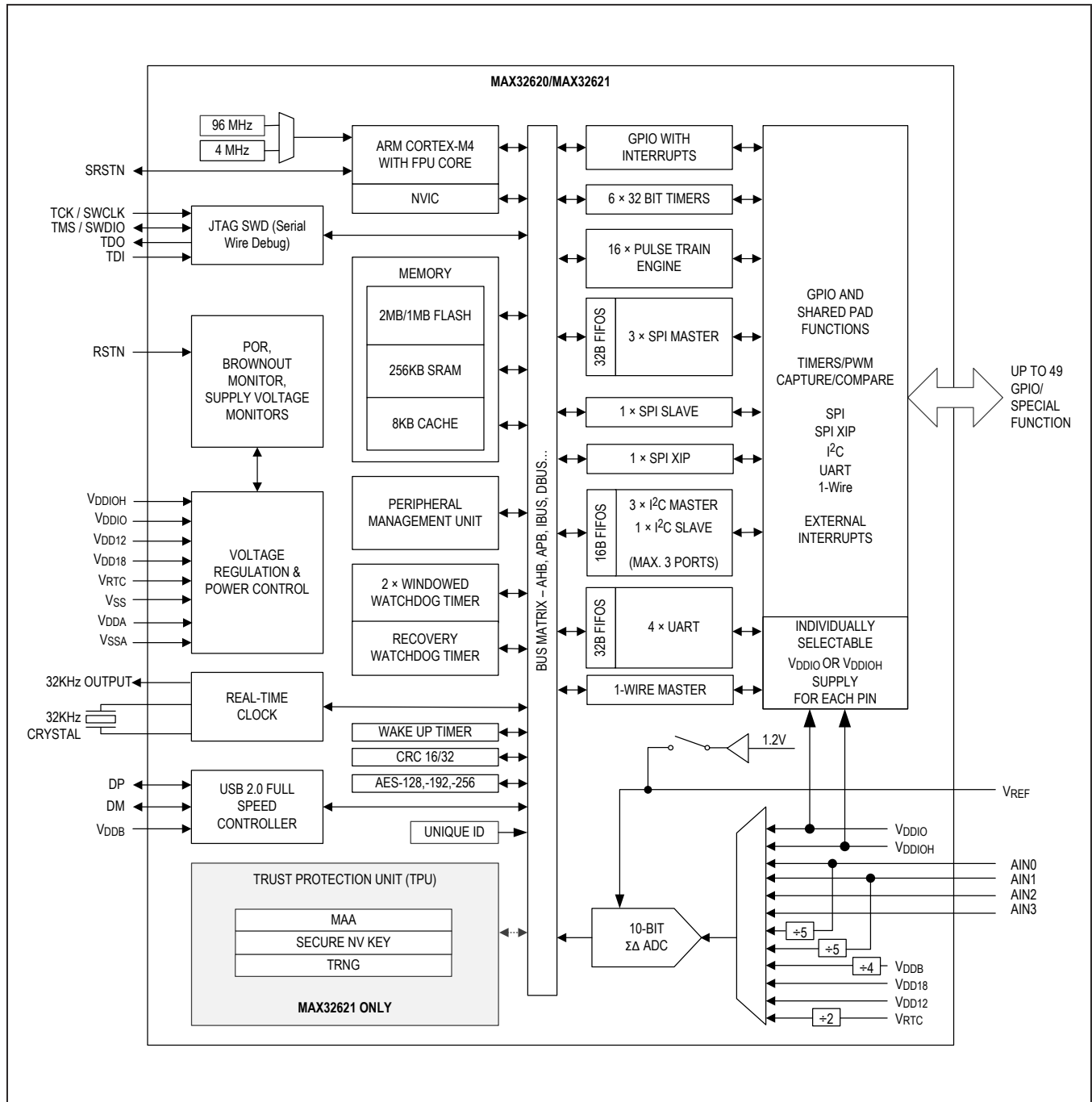
- High-Efficiency Microcontroller for Wearable Devices
  - Internal Oscillator Operates Up to 96MHz
  - Low Power 4MHz Option for Always-On Monitoring
  - 2MB/1MB Flash Memory
  - 256KB SRAM
  - 8KB Instruction Cache
  - 1.2V Core Supply Voltage
  - 1.8V to 3.3V I/O
  - Optional 3.3V ±5% USB Supply Voltage
  - Wide Operating Temperature: -30°C to +85°C
- Power Management Maximizes Uptime for Battery Applications
  - 122µW/MHz Active Executing from Cache
  - 62µW/MHz Active Executing from Flash
  - Wake-Up to 96MHz Clock or 4MHz Clock
  - 1.06µW Low Power Mode (LP0) Mode with RTC
  - 2.67µW Ultra-Low Power Data Retention Sleep Mode (LP1) with Fast 5µs (typ) Wakeup on 96MHz
  - 28µW/MHz Low Power Mode (LP2) Current
- Optimal Peripheral Mix Provides Platform Scalability
  - Three SPI Masters, One SPI Slave
  - Four UARTs
  - Up to Three I<sup>2</sup>C Masters, One I<sup>2</sup>C Slave
  - 1-Wire® Master
  - Up to 49 General-Purpose I/O Pins
  - SPI Execute in Place (SPIX) Engine for Memory Expansion with Minimal Footprint
  - Full-Speed USB 2.0 with Internal Transceiver
  - Sixteen Pulse Train Engines
  - Six 32-Bit or 12 16-Bit Timers
  - Three Watchdog Timers with Independent Sources
  - Four-Input, 10-Bit Sigma-Delta ADC Operating at 7.8kS/s, 5.5V, and 1.8V Tolerant Inputs
  - AES-128, -192, -256 Hardware Engine
  - CMOS-Level 32kHz RTC Output Option
  - JTAG 1149.1 Compatible with Serial Wire Debug
- Secure Valuable IP and Data with Robust Internal Hardware Security (MAX32621 Only)
  - Trust Protection Unit (TPU) Provides ECDSA and Modular Arithmetic Acceleration Support
  - True Random Number Generator (TRNG)
  - Secure Boot Loader



# MAX32620/MAX32621

## High-Performance, Ultra-Low Power Arm Cortex-M4 with FPU-Based Microcontroller for Rechargeable Devices

### MAX32620/MAX32621 Block Diagram



**Absolute Maximum Ratings**

(All voltages with respect to V<sub>SS</sub>, unless otherwise noted.)

V <sub>DD18</sub> .....	-0.3V to +1.89V
V <sub>DD12</sub> .....	-0.3V to +1.26V
V <sub>DDA</sub> with respect to V <sub>SSA</sub> .....	-0.3V to +1.89V
V <sub>RTC</sub> .....	-0.3V to +1.89V
V <sub>DDB</sub> .....	-0.3V to +3.6V
V <sub>REF</sub> .....	-0.3V to +3.6V
32KIN, 32KOUT .....	-0.3V to V <sub>RTC</sub> + 0.2V
RSTN, SRSTN, GPIO, DP, DM, JTAG .....	-0.3V to +3.6V
AIN[1:0] .....	-0.3V to +5.5V
AIN[3:2] .....	-0.3V to +3.6V
V <sub>DDIO</sub> .....	-0.3V to +3.6V

V <sub>DDIOH</sub> .....	-0.3V to +3.6V
Total current V <sub>DD18</sub> , V <sub>DDIO</sub> (sink) .....	100mA
Total current V <sub>SS</sub> .....	100mA
Output current (sink) by Any I/O pin .....	25mA
Output current (source) by Any I/O pin .....	-25mA
Continuous Power Dissipation (T <sub>A</sub> = +70°C)	
TQFP (multilayer board)	
(derate 45.5mW/°C above +70°C) .....	3636.4mW
Operating Temperature Range .....	-30°C to +85°C
Storage Temperature Range .....	-65°C to +150°C
Soldering Temperature (reflow) .....	+260°C

*This is a stress rating only and functional operation of the device at these or any other conditions above those indicated in the operation sections of this specification is not implied. Exposure to absolute maximum rating conditions for extended periods of time may affect reliability.*

**Package Thermal Characteristics (Note 1)**

TQFP-EP

Junction-to-Ambient Thermal Resistance (θ <sub>JA</sub> ) .....	22°C/W
Junction-to-Case Thermal Resistance (θ <sub>JC</sub> ) .....	2°C/W

WLP

Junction-to-Ambient Thermal Resistance (θ <sub>JA</sub> ) .....	36°C/W
---	--------

**Note 1:** Package thermal resistances were obtained using the method described in JEDEC specification JESD51-7, using a four-layer board. For detailed information on package thermal considerations, refer to [www.maximintegrated.com/thermal-tutorial](http://www.maximintegrated.com/thermal-tutorial).

**Electrical Characteristics**

(Limits are tested at T<sub>A</sub> = +25°C and T<sub>A</sub> = +85°C. Limits over the operating temperature range and relevant supply voltage range are guaranteed by design and characterization. Specifications marked GBD are guaranteed by design and not production tested.)

PARAMETER	SYMBOL	CONDITIONS	MIN	TYP	MAX	UNITS
Supply Voltage	V <sub>DD18</sub>		1.71	1.8	1.89	V
	V <sub>DD12</sub>		1.14	1.2	1.26	
	V <sub>DDA</sub>		1.71	1.8	1.89	
	V <sub>RTC</sub>		1.71	1.8	1.89	
	V <sub>DDB</sub>		3.04	3.3	3.60	
	V <sub>DDIO</sub>		1.71	1.8	3.60	
	V <sub>DDIOH</sub>	V <sub>DDIOH</sub> must be ≥ V <sub>DDIO</sub>	1.71	1.8	3.60	
Power-Fail Reset Voltage	V <sub>RST</sub>	Monitors V <sub>DD18</sub>	1.1		1.70	V
Power On Reset Voltage	V <sub>POR</sub>	Monitors V <sub>DD18</sub>		1.5		V
RAM Data Retention Voltage	V <sub>DRV</sub>	V <sub>DD12</sub> supply, retention in LP1		0.93		V
V <sub>DD12</sub> Dynamic Current, LP3 Mode	I <sub>DD12_DLP3</sub>	Measured on the V <sub>DD12</sub> pin and executing code from cache memory, all inputs are tied to V <sub>SS</sub> or V <sub>DDIO</sub> , outputs do not source/sink any current, PMU disabled		102		µA/ MHz

**Electrical Characteristics (continued)**

(Limits are tested at  $T_A = +25^\circ\text{C}$  and  $T_A = +85^\circ\text{C}$ . Limits over the operating temperature range and relevant supply voltage range are guaranteed by design and characterization. Specifications marked GBD are guaranteed by design and not production tested.)

PARAMETER	SYMBOL	CONDITIONS	MIN	TYP	MAX	UNITS
$V_{DD12}$ Current, LP3 Mode	$I_{DD12\_LP3}$	96MHz oscillator selected as system clock, measured on the $V_{DD12}$ pin and executing code from cache memory, all inputs are tied to $V_{SS}$ or $V_{DDIO}$ , outputs do not source/sink any current		96		$\mu\text{A}$
		4MHz oscillator selected as system clock measured on the $V_{DD12}$ pin and executing code from cache memory, all inputs are tied to $V_{SS}$ or $V_{DDIO}$ , outputs do not source/sink any current		49		
$V_{DD18}$ Current, LP3 Mode	$I_{DD18\_LP3}$	96MHz oscillator selected as system clock, measured on the $V_{DD18}$ pin and executing code from cache memory, all inputs are tied to $V_{SS}$ or $V_{DDIO}$ , outputs do not source/sink any current		366		$\mu\text{A}$
		4MHz oscillator selected as system clock, measured on the $V_{DD18}$ pin and executing code from cache memory, all inputs are tied to $V_{SS}$ or $V_{DDIO}$ , outputs do not source/sink any current.		33		
$V_{RTC}$ Current, LP3 Mode	$I_{RTC\_LP3}$	RTC disabled		1.15		$\mu\text{A}$
		RTC enabled		1.55		$\mu\text{A}$
$V_{DD12}$ Dynamic Current, LP2 Mode	$I_{DD12\_DLP2}$	Measured on the $V_{DD12}$ pin, Arm in sleep mode, PMU with two channels active		23		$\mu\text{A}/\text{MHz}$
$V_{DD12}$ Current, LP2 Mode	$I_{DD12\_LP2}$	96MHz oscillator selected as system clock, measured on the $V_{DD12}$ pin, Arm in sleep mode, system clock stopped		96		$\mu\text{A}$
		4MHz oscillator selected as system clock, measured on the $V_{DD12}$ pin, Arm in sleep mode, system clock stopped		49		
$V_{DD18}$ Current, LP2 Mode	$I_{DD18\_LP2}$	96MHz oscillator selected as system clock, Arm in sleep mode, PMU with two channels active, all inputs are tied to $V_{SS}$ or $V_{DDIO}$ , outputs do not source/sink any current		366		$\mu\text{A}$
		4MHz oscillator selected as system clock, Arm in sleep mode, PMU with two channels active, all inputs are tied to $V_{SS}$ or $V_{DDIO}$ , outputs do not source/sink any current		33		
$V_{RTC}$ Current, LP2 Mode	$I_{RTC\_LP2}$	RTC disabled		1.15		$\mu\text{A}$
		RTC enabled		1.55		$\mu\text{A}$

**Electrical Characteristics (continued)**

(Limits are tested at  $T_A = +25^\circ\text{C}$  and  $T_A = +85^\circ\text{C}$ . Limits over the operating temperature range and relevant supply voltage range are guaranteed by design and characterization. Specifications marked GBD are guaranteed by design and not production tested.)

PARAMETER	SYMBOL	CONDITIONS	MIN	TYP	MAX	UNITS
$V_{DD12}$ Current, LP1 Mode	$I_{DD12\_LP1}$	Standby state with full data retention		1.11		$\mu\text{A}$
$V_{DD18}$ Current, LP1 Mode	$I_{DD18\_LP1}$	Standby state with full data retention		120		nA
$V_{RTC}$ Current, LP1 Mode	$I_{RTC\_LP1}$	RTC disabled		244		nA
		RTC enabled		594		nA
$V_{DD12}$ Current, LP0 Mode	$I_{DD12\_LP0}$			14		nA
$V_{DD18}$ Current, LP0 Mode	$I_{DD18\_LP0}$			120		nA
$V_{RTC}$ Current, LP0 Mode	$I_{RTC\_LP0}$	RTC disabled		105		nA
		RTC enabled		505		nA
RTC Operating Current	$I_{RTC\_LP23}$	LP3, LP2 modes		0.7		$\mu\text{A}$
	$I_{RTC\_LP01}$	LP1, LP0 modes		0.35		$\mu\text{A}$
LP2 Mode Resume Time	$t_{LP2\_ON}$			0		$\mu\text{s}$
LP1 Mode Resume Time	$t_{LP1\_ON}$			5		$\mu\text{s}$
LP0 Mode Resume Time	$t_{LP0\_ON}$			11		$\mu\text{s}$
<b>CLOCKS</b>						
Internal Relaxation Oscillator Frequency	$f_{INTCLK}$	Factory default	94	96.0	98	MHz
		Firmware trimmed, required for USB compliance	95.76	96.0	96.24	MHz
Internal RC Oscillator Frequency	$f_{RCCLK}$		0.001	4	4.1	MHz
System Clock Frequency	$f_{CK}$		0.371		97.92	MHz
System Clock Period	$t_{CK}$			$1/f_{CK}$		
RTC Input Frequency	$f_{32KIN}$	32kHz watch crystal, 6pF, ESR < 70k $\Omega$		32.768		kHz
RTC Power Up Time	$t_{RTC\_ON}$			250		ms
<b>GENERAL PURPOSE I/O</b>						
Input Low Voltage for $\overline{\text{SRSTN}}$ , and All Port Pins	$V_{IL}$	Legacy $V_{DD18}$ I/O supply, includes JTAG			$0.3 \times V_{DD18}$	V
		$V_{DDIO}$ selected as I/O supply, includes JTAG			$0.3 \times V_{DDIO}$	
		$V_{DDIOH}$ selected as I/O supply			$0.3 \times V_{DDIOH}$	
Input Low Voltage for $\overline{\text{RSTN}}$	$V_{IL}$	Legacy $V_{DD18}$ I/O supply			$0.3 \times V_{RTC}$	V
		$V_{DDIO}$ or $V_{DDIOH}$ selected as I/O supply			$0.3 \times V_{RTC}$	

## Electrical Characteristics (continued)

(Limits are tested at  $T_A = +25^\circ\text{C}$  and  $T_A = +85^\circ\text{C}$ . Limits over the operating temperature range and relevant supply voltage range are guaranteed by design and characterization. Specifications marked GBD are guaranteed by design and not production tested.)

PARAMETER	SYMBOL	CONDITIONS	MIN	TYP	MAX	UNITS
Input High Voltage for $\overline{\text{SRSTN}}$ , and All Port Pins	$V_{IH}$	Legacy $V_{DD18}$ I/O supply, includes JTAG	0.7 x		$V_{DD18}$	V
		$V_{DDIO}$ selected as I/O supply, includes JTAG	0.7 x		$V_{DDIO}$	
		$V_{DDIOH}$ selected as I/O supply	0.7 x		$V_{DDIOH}$	
Input High Voltage for $\overline{\text{RSTN}}$	$V_{IH}$	Legacy $V_{DD18}$ I/O supply	0.7 x		$V_{RTC}$	V
		$V_{DDIO}$ or $V_{DDIOH}$ selected as I/O supply	0.7 x		$V_{RTC}$	
Input Hysteresis (Schmitt)	$V_{IHYS}$			100		mV
Output Low Voltage for All Port Pins	$V_{OL}$	$I_{OL} = 4\text{mA}$ (normal drive), legacy $V_{DD18}$ I/O supply, includes JTAG		0.2	0.4	V
		$I_{OL} = 24\text{mA}$ (high drive), legacy $V_{DD18}$ I/O supply, includes JTAG		0.2	0.4	
		$I_{OL} = 4\text{mA}$ (normal drive), $V_{DDIO} = V_{DDIOH} = 1.71\text{V}$ , $V_{DDIO}$ selected as I/O supply, includes JTAG		0.2	0.4	
		$I_{OL} = 24\text{mA}$ (high drive), $V_{DDIO} = V_{DDIOH} = 1.71\text{V}$ , $V_{DDIO}$ selected as I/O supply		0.2	0.4	
		$I_{OL} = 900\mu\text{A}$ , $V_{DDIO} = 1.71\text{V}$ , $V_{DDIOH} = 2.97\text{V}$ , $V_{DDIOH}$ selected as I/O supply		0.2	0.45	
Combined $I_{OL}$ , All GPIO	$I_{OL\_TOTAL}$				48	mA
Output High Voltage for All Port Pins	$V_{OH}$	$I_{OH} = -2\text{mA}$ (normal drive), legacy $V_{DD18}$ I/O supply, includes JTAG	$V_{DD18}$		-0.4	V
		$I_{OH} = -8\text{mA}$ (high drive), legacy $V_{DD18}$ I/O supply, includes JTAG	$V_{DD18}$		-0.4	
		$I_{OH} = -2\text{mA}$ (normal drive), $V_{DDIO} = V_{DDIOH} = 1.7\text{V}$ , $V_{DDIO}$ selected as I/O supply, includes JTAG	$V_{DDIO}$		-0.4	
		$I_{OH} = -8\text{mA}$ (high drive), $V_{DDIO} = V_{DDIOH} = 1.7\text{V}$ , $V_{DDIO}$ selected as I/O supply, includes JTAG	$V_{DDIO}$		-0.4	
		$I_{OH} = -300\mu\text{A}$ , $V_{DDIOH} = 2.97\text{V}$ , $V_{DDIOH}$ selected as I/O supply	$V_{DDIO}$		-0.4	
		$I_{OH} = -2\text{mA}$ , $V_{DDIO} = 1.71\text{V}$ , $V_{DDIOH} = 2.97\text{V}$ , $V_{DDIO}$ selected as I/O supply	$V_{DDIO}$		-0.45	

## Electrical Characteristics (continued)

(Limits are tested at  $T_A = +25^\circ\text{C}$  and  $T_A = +85^\circ\text{C}$ . Limits over the operating temperature range and relevant supply voltage range are guaranteed by design and characterization. Specifications marked GBD are guaranteed by design and not production tested.)

PARAMETER	SYMBOL	CONDITIONS	MIN	TYP	MAX	UNITS
Combined $I_{OH}$ , All GPIO	$I_{OH\_TOTAL}$				48	mA
Input/Output Pin Capacitance for All Port Pins	$C_{IO}$			3		pF
Input Leakage Current Low	$I_{IL}$	$V_{DD18} = 1.89\text{V}$ , $V_{IN} = 0\text{V}$ , internal pullup disabled, legacy $V_{DD18}$ I/O supply	-100		+100	nA
		$V_{DDIO} = 1.89\text{V}$ , $V_{DDIOH} = 3.6\text{V}$ , $V_{DDIOH}$ selected as I/O supply, $V_{IN} = 0\text{V}$ , internal pullup disabled	-100		+100	
Input Leakage Current High	$I_{IH}$	$V_{DD18} = 1.89\text{V}$ , $V_{IN} = 1.89\text{V}$ , internal pulldown disabled, legacy $V_{DD18}$ I/O supply	-100		+100	nA
		$V_{DDIO} = 1.89\text{V}$ , $V_{DDIOH} = 3.6\text{V}$ , $V_{IN} = 3.6\text{V}$ , internal pulldown disabled, $V_{DDIOH}$ selected as I/O supply	-100		+100	
	$I_{OFF}$	$V_{DD18} = 0\text{V}$ , $V_{IN} < 1.89\text{V}$ , legacy $V_{DD18}$ I/O supply	-1		+1	$\mu\text{A}$
		$V_{DDIO} = 0\text{V}$ , $V_{DDIOH} = 0\text{V}$ , $V_{DDIO}$ selected as I/O supply, $V_{IN} < 1.89\text{V}$	-1		+1	
	$I_{IH3V}$	$V_{DD18} = 1.71\text{V}$ , $V_{IN} = 3.60\text{V}$ , legacy $V_{DD18}$ I/O supply	-2		+2	$\mu\text{A}$
		$V_{DDIO} = V_{DDIOH} = 1.71\text{V}$ , $V_{DDIO}$ selected as I/O supply, $V_{IN} = 3.6\text{V}$	-2		+2	
Input Pullup Resistor, $\overline{\text{SRSTN}}$ , TMS, TCK, TDI	$R_{PU\_VDDIO}$	Pullup to $V_{DDIO}$		25		k $\Omega$
Input Pullup Resistor $\overline{\text{RSTN}}$	$R_{PU\_VRTC}$	Pullup to $V_{RTC}$		25		k $\Omega$
Input Pullup/Pulldown All GPIO	$R_{PU\_GPIO}$	Normal resistance mode		25		k $\Omega$
		Highest resistance mode		1		M $\Omega$
<b>FLASH MEMORY</b>						
Page Size				8		kB
Flash Erase Time	$t_{M\_ERASE}$	Mass erase		30		ms
	$t_{P\_ERASE}$	Page erase		30		ms
Flash Programming Time Per Word	$t_{PROG}$			60		$\mu\text{s}$
Flash Endurance			10			kcycles
Data Retention	$t_{RET}$	$T_A = +85^\circ\text{C}$	10			years

## USB Electrical Characteristics

(Limits are tested at  $T_A = +25^\circ\text{C}$  and  $T_A = +85^\circ\text{C}$ . Limits over the operating temperature range and relevant supply voltage range are guaranteed by design and characterization. Specifications marked GBD are guaranteed by design and not production tested.)

PARAMETER	SYMBOL	CONDITIONS	MIN	TYP	MAX	UNITS
Single-Ended Input High Voltage DP, DM	$V_{IHD}$		2.0			V
Single-Ended Input Low Voltage DP, DM	$V_{ILD}$				0.8	V
Output Low Voltage DP, DM	$V_{OLD}$	$R_L = 1.5\text{k}\Omega$ from DP to 3.6V			0.3	V
Output High Voltage DP, DM	$V_{OHD}$	$R_L = 15\text{k}\Omega$ from DP and DM to $V_{SS}$	2.8			V
Differential Input Sensitivity DP, DM	$V_{DI}$	DP to DM	0.2			V
Common-Mode Voltage Range	$V_{CM}$	Includes $V_{DI}$ range	0.8		2.5	V
Single-Ended Receiver Threshold	$V_{SE}$		0.8		2.0	V
Single-Ended Receiver Hysteresis	$V_{SEH}$			200		mV
Differential Output Signal Cross-Point Voltage	$V_{CRS}$	$C_L = 50\text{pF}$ , GBD	1.3		2.0	V
DP, DM Off-State Input Impedance	$R_{LZ}$		300			k $\Omega$
Driver Output Impedance	$R_{DRV}$	Steady-state drive	28		44	$\Omega$
DP Pullup Resistor	$R_{PU}$	Idle	0.9		1.575	k $\Omega$
		Receiving	1.425		3.090	
<b>USB TIMING</b>						
DP, DM Rise Time (Transmit)	$t_R$	$C_L = 50\text{pF}$ , GBD	4		20	ns
DP, DM Fall Time (Transmit)	$t_F$	$C_L = 50\text{pF}$ , GBD	4		20	ns
Rise/Fall Time Matching (Transmit)	$t_R, t_F$	$C_L = 50\text{pF}$ , GBD	90		110	%

## ADC Electrical Characteristics

(Limits are tested at  $T_A = +25^\circ\text{C}$  and  $T_A = +85^\circ\text{C}$ . Limits over the operating temperature range and relevant supply voltage range are guaranteed by design and characterization. Specifications marked GBD are guaranteed by design and not production tested.)

PARAMETER	SYMBOL	CONDITIONS	MIN	TYP	MAX	UNITS
Resolution				10		bits
ADC Clock Rate	$f_{ACLK}$		0.1		8	MHz
ADC Clock Period	$t_{ACLK}$			$1/f_{ACLK}$		$\mu\text{s}$
Input Voltage Range	$V_{AIN}$	$AIN[3:0]$ , $ADC\_CHSEL = 0-3$ , $BUF\_BYPASS = 1$	$V_{SSA}$		$V_{DDA}$	V
		$AIN[1:0]$ , $ADC\_CHSEL = 4-5$ , $BUF\_BYPASS = 1$	$V_{SSA}$		5.5V	
		$AIN[3:0]$ , $ADC\_CHSEL = 0-3$ , $BUF\_BYPASS = 0$	50mV		$V_{DDA} - 50\text{mV}$	
		$AIN[1:0]$ , $ADC\_CHSEL = 4-5$ , $BUF\_BYPASS = 0$	50mV		5.5V	



**ADC Electrical Characteristics (continued)**

(Limits are tested at  $T_A = +25^\circ\text{C}$  and  $T_A = +85^\circ\text{C}$ . Limits over the operating temperature range and relevant supply voltage range are guaranteed by design and characterization. Specifications marked GBD are guaranteed by design and not production tested.)

PARAMETER	SYMBOL	CONDITIONS	MIN	TYP	MAX	UNITS
Input Impedance	$R_{AIN}$	AIN[1:0], ADC_HSEL = 4–5, ADC active		45		k $\Omega$
Input Dynamic Current, Switched Capacitance	$I_{AIN}$	ADC active, ADC buffer bypassed		4.5		$\mu\text{A}$
		ADC active, ADC buffer enabled		50		nA
Analog Input Capacitance	$C_{AIN}$	Fixed capacitance to ground		1		pF
		Dynamically switched capacitance		250		nF
Integral Nonlinearity	INL				$\pm 2$	LSb
Differential Nonlinearity	DNL				$\pm 1$	LSb
Offset Error	$V_{OS}$			$\pm 1$		LSb
Gain Error	GE			$\pm 2$		LSb
ADC Active Current	$I_{ADC}$	ADC active, reference buffer enabled, input buffer disabled		240		$\mu\text{A}$
Input Buffer Active Current	$I_{INBUF}$			53		$\mu\text{A}$
ADC Setup Time	$t_{ADC\_SU}$	Any power-up of: ADC clock, ADC bias, reference buffer, or input buffer to CpuAdcStart			10	$\mu\text{s}$
		Any power-up of: ADC clock or ADC bias to CpuAdcStart			48	$t_{CLK}$
ADC Output Latency	$t_{ADC}$			1025		$t_{CLK}$
ADC Sample Rate	$f_{ADC}$				7.80	ksps
ADC Input Leakage	$I_{ADC\_LEAK}$	AIN0 or AIN1, ADC inactive or channel not selected		0.12	4	nA
		AIN2 or AIN3, ADC inactive or channel not selected		0.02	1.0	nA
AIN0/AIN1 Resistor Divider Error		ADC_CHSEL = 4 or 5, not including ADC offset/gain error		$\pm 2$		LSb
Full-Scale Voltage	$V_{FS}$	ADC code = 0x3FF		1.20		V
Signal to Noise Ratio	SNR			58.5		dB
Signal to Noise and Distortion	SINAD			58.5		dB
Total Harmonic Distortion	THD			-68.5		dB
Spurious Free Dynamic Range	SFDR			74		dB
Bandgap Temperature Coefficient	$V_{TEMPCO}$	Box method		30		ppm/ $^\circ\text{C}$
Reference Input Capacitance	$C_{REF\_IN}$	Dynamically switched capacitance, ADC_XREF=1, ADC active		250		fF
External Reference Voltage	$V_{REF\_EXT}$	ADC_XREF = 1	1.17	1.23	1.29	V
Reference Dynamic Current	$I_{REF\_EXT}$	ADC_XREF=1, ADC active		4.1		$\mu\text{A}$

**Electrical Characteristics—SPI Master/SPIX Master**

(Timing specifications are guaranteed by design and are not production tested.)

PARAMETER	SYMBOL	CONDITIONS	MIN	TYP	MAX	UNITS
Master Operating Frequency	$f_{MCK}$				48	MHz
Master SCLK Period	$t_{MCK}$			$1/f_{MCK}$		ns
SCLK Output Pulse-Width High	$t_{MCH}$		$t_{MCK}/2$			ns
SCLK Output Pulse-Width Low	$t_{MCL}$		$(t_{MCK}/2) - 4$			ns
MOSI Output Hold Time After SCLK Sample Edge	$t_{MOH}$		$(t_{MCK}/2) - 4$			ns
MOSI Output Valid to Sample Edge	$t_{MOV}$		$(t_{MCK}/2) - 4$			ns
MISO Input Valid to SCLK Sample Edge Setup	$t_{MIS}$		1			ns
MISO Input to SCLK Sample Edge	$t_{MIH}$				1	ns

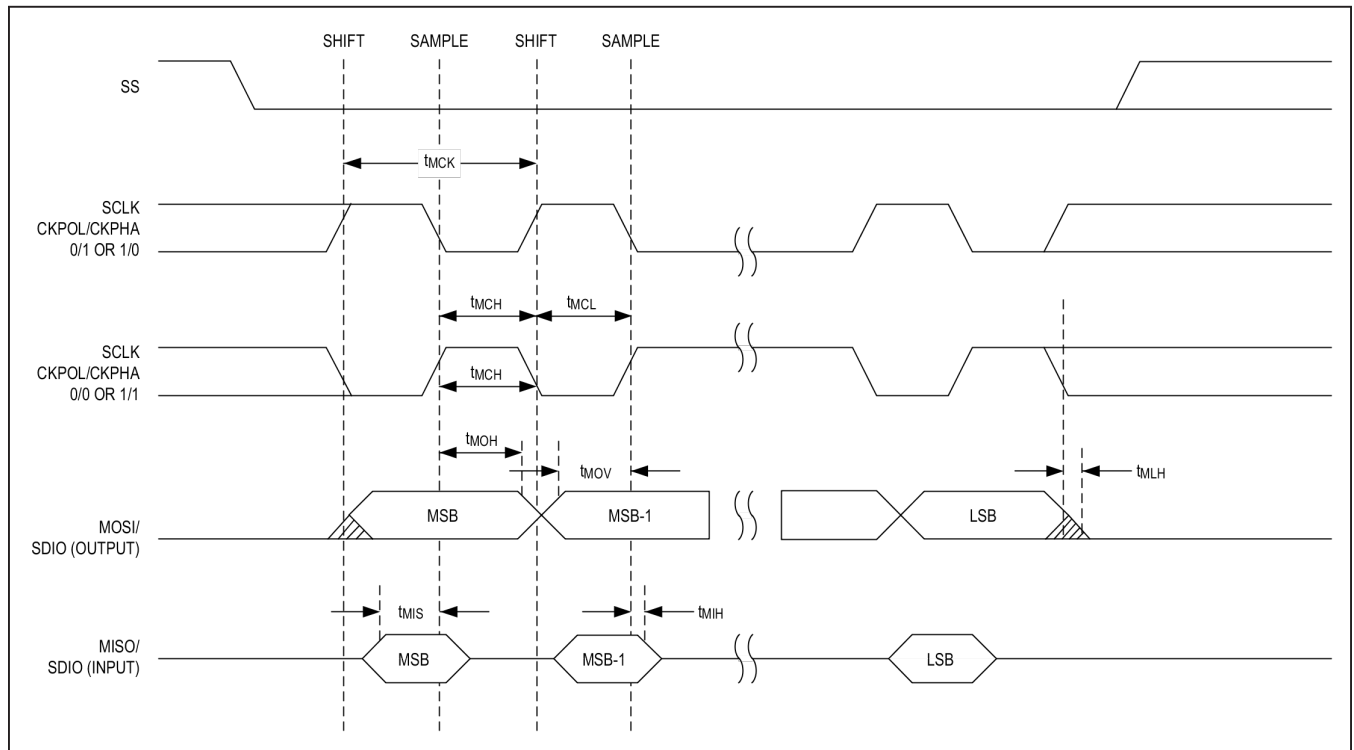


Figure 1. SPI Master and SPI XIP Master Timing

**Electrical Characteristics—SPI Slave**

(Timing specifications are guaranteed by design and are not production tested.)

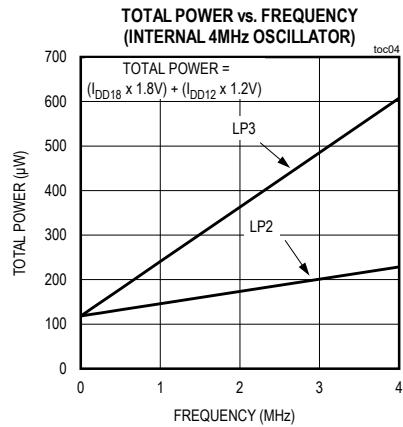
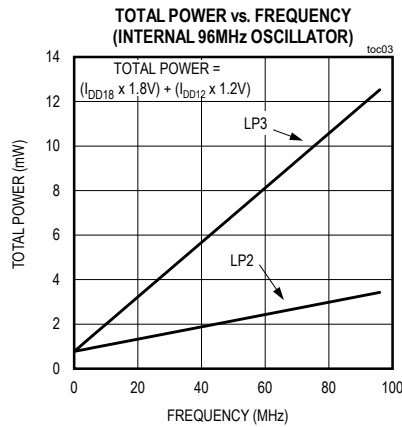
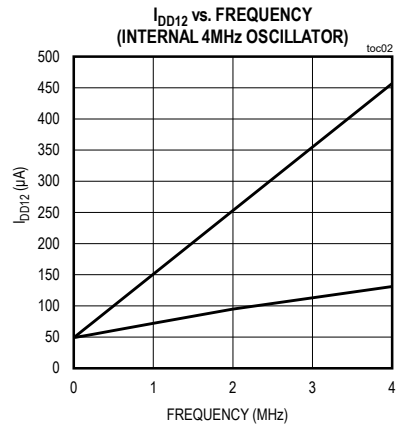
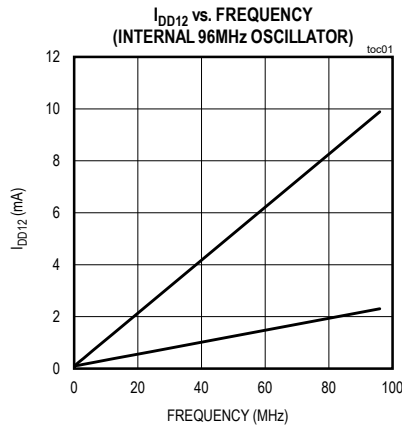
PARAMETER	SYMBOL	CONDITIONS	MIN	TYP	MAX	UNITS
Slave Operating Frequency, Write	$f_{SCK\_W}$	Standard SPI mode			48	MHz
		Fast SPI mode			48	
Slave Operating Frequency	$f_{SCK\_R}$	Standard SPI mode			22.7	MHz
		Fast SPI mode			45.5	
SCLK Period	$t_{SCK}$			$1/f_{SCK}$		ns

**Electrical Characteristics—I<sup>2</sup>C Bus**(Limits are 100% tested at  $T_A = +25^\circ\text{C}$  and  $T_A = +85^\circ\text{C}$ . Limits over the operating temperature range and relevant supply voltage range are guaranteed by design and characterization. Specifications marked "GBD" are guaranteed by design and not production tested.)

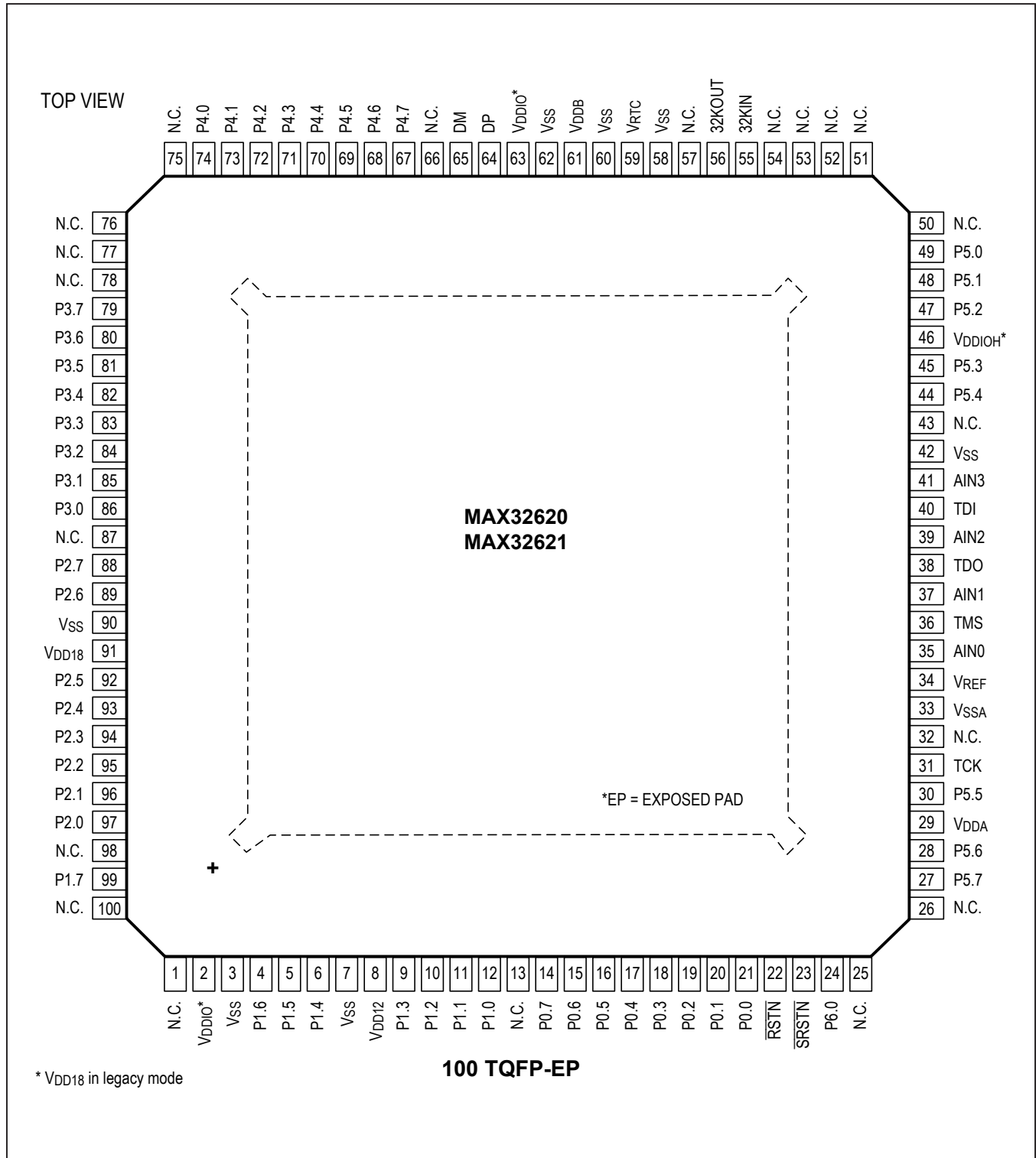
PARAMETER	SYMBOL	CONDITIONS	MIN	TYP	MAX	UNITS
<b>I<sup>2</sup>C BUS</b>						
Input High Voltage	$V_{IH\_I2C}$	Standard mode, $V_{DDIO}$ selected as I/O supply	$0.7 \times V_{DDIO}$			V
		Standard mode, $V_{DDIOH}$ selected as I/O supply	$0.7 \times V_{DDIOH}$			
		Fast mode, $V_{DDIO}$ selected as I/O supply	$0.7 \times V_{DDIO}$		$V_{DDIO} + 0.5$	
		Fast mode, $V_{DDIOH}$ selected as I/O supply	$0.7 \times V_{DDIOH}$		$V_{DDIOH} + 0.5$	
Input Low Voltage	$V_{IL\_I2C}$	Standard mode, $V_{DDIO}$ selected as I/O supply	-0.5		$0.3 \times V_{DDIO}$	V
		Standard mode, $V_{DDIOH}$ selected as I/O supply	-0.5		$0.3 \times V_{DDIOH}$	
		Fast mode, $V_{DDIO}$ selected as I/O supply	-0.5		$0.3 \times V_{DDIO}$	
		Fast mode, $V_{DDIOH}$ selected as I/O supply	-0.5		$0.3 \times V_{DDIOH}$	
Input Hysteresis (Schmitt)	$V_{IHYS\_I2C}$	Fast mode, $V_{DDIO}$ selected as I/O supply	$0.05 \times V_{DDIO}$			V
		Fast mode, $V_{DDIOH}$ selected as I/O supply	$0.05 \times V_{DDIOH}$			
Output Logic-Low (Open Drain or Open Collector)	$V_{OL\_I2C}$	Standard mode, $I_{IL} = 3\text{mA}$	0		0.4	V
		Fast mode, $I_{IL} = 3\text{mA}$	0		0.4	
		Fast mode, $I_{IL} = 2\text{mA}$ , $V_{DDIO}$ selected as I/O supply	0		$0.2 \times V_{DDIO}$	
		Fast mode, $I_{IL} = 2\text{mA}$ , $V_{DDIOH}$ selected as I/O supply	0		$0.2 \times V_{DDIOH}$	
<b>I<sup>2</sup>C TIMING</b>						
SCL Clock Frequency	$f_{SCL}$	Standard mode	0		100	kHz
		Fast mode	0		400	

Typical Operating Characteristics

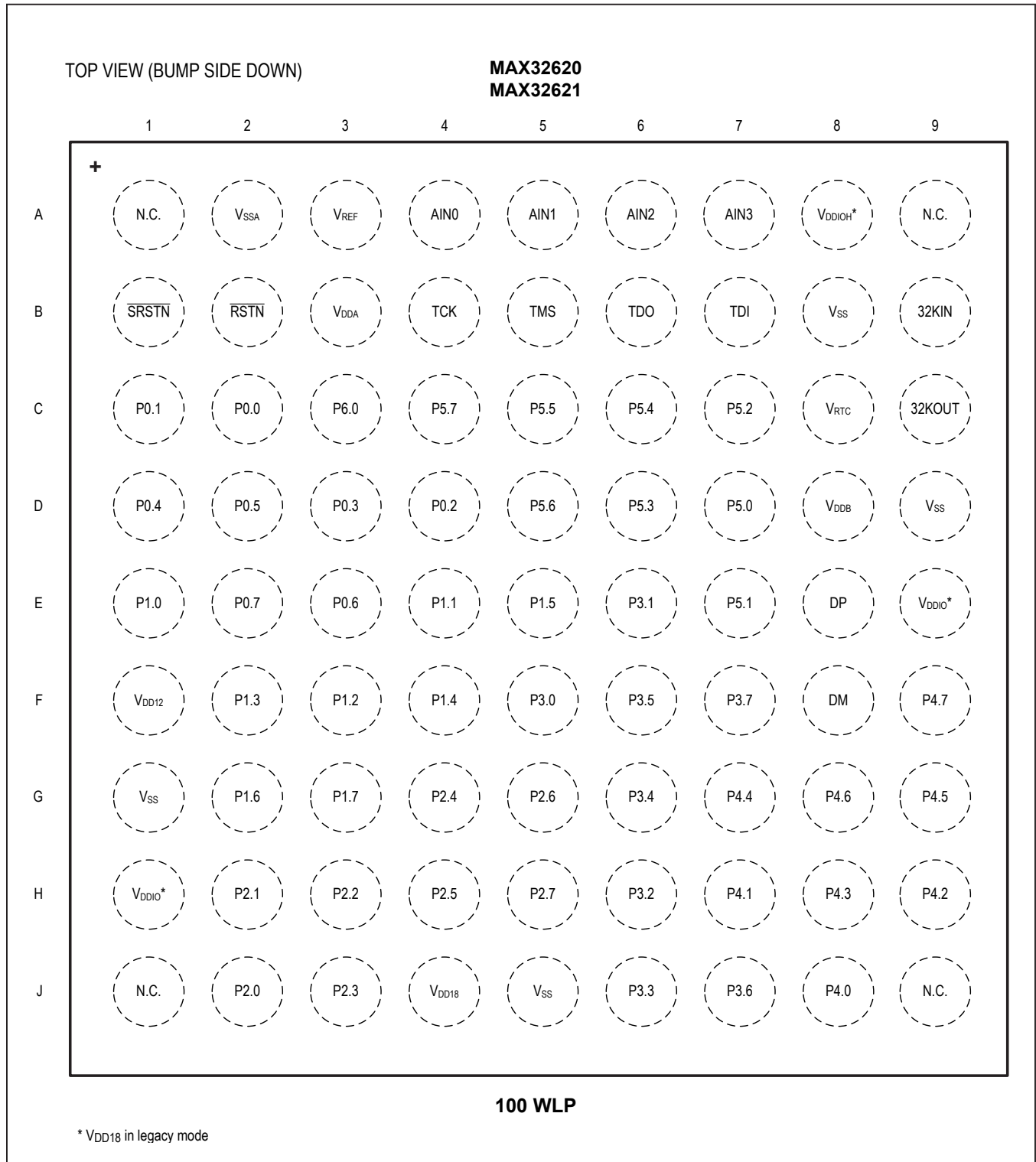
(VDD18 = 1.8V, VDD12 = 1.2V)



Pin Configuration



Pin Configuration (continued)



## Pin Description

PIN		NAME	FUNCTION
TQFP-EP	WLP		
<b>POWER</b>			
61	D8	V <sub>DDB</sub>	USB Transceiver Supply Voltage. This pin must be bypassed to V <sub>SS</sub> with a 1.0μF capacitor as close as possible to this pin.
8	F1	V <sub>DD12</sub>	1.2V Supply Voltage. This pin must be bypassed to V <sub>SS</sub> with a 1.0μF capacitor as close as possible to this pin.
59	C8	V <sub>RTC</sub>	RTC Supply Voltage. This pin must be bypassed to V <sub>SS</sub> with a 1.0μF capacitor as close as possible to this pin.
29	B3	V <sub>DDA</sub>	Analog Supply Voltage. This pin must be bypassed to V <sub>SSA</sub> with a 1.0μF capacitor as close as possible to this pin.
91	J4	V <sub>DD18</sub>	1.8V Supply Voltage. This pin must be bypassed to V <sub>SS</sub> with a 1.0μF capacitor as close as possible to this pin.
2, 63	E9, H1	V <sub>DDIO</sub>	I/O Supply Voltage. $1.8V \leq V_{DDIO} \leq 3.6V$ . See EC table for V <sub>DDIO</sub> specification. This pin must be bypassed to V <sub>SS</sub> with a 1.0μF capacitor as close as possible to the package. This pin can be connected to V <sub>DD18</sub> for legacy I/O support.
46	A8	V <sub>DDIOH</sub>	I/O Supply Voltage, High. $1.8V \leq V_{DDIOH} \leq 3.6V$ , always with $V_{DDIO} \leq V_{DDIOH}$ . See EC table for V <sub>DDIOH</sub> specification. This pin must be bypassed to V <sub>SS</sub> with a 1.0μF capacitor as close as possible to the package. This pin can be connected to V <sub>DD18</sub> for legacy I/O support.
34	A3	V <sub>REF</sub>	ADC Reference. This pin should be left unconnected if an external reference is not used.
3, 7, 42, 58, 60, 62, 90	B8, D9, G1, J5	V <sub>SS</sub>	Digital Ground.
33	A2	V <sub>SSA</sub>	Analog Ground. This pin must be connected to V <sub>SS</sub> .
EP	—	EP	Exposed Pad (TQFP Only). This pad must be connected to V <sub>SS</sub> . Refer to Application Note 3273: Exposed Pads: A Brief Introduction for additional information.
<b>CLOCKS</b>			
55	B9	32KIN	32kHz Crystal Oscillator Input/Output. Connect a 6pF 32kHz crystal between 32KIN and 32KOUT for RTC operation. Optionally, an external clock source can be driven on 32KIN if the 32KOUT pin is left unconnected. A 32kHz crystal or external clock source is required for proper USB operation.
56	C9	32KOUT	
<b>USB</b>			
64	E8	DP	USB D+ Signal. This bidirectional pin carries the positive differential data or single-ended data. This pin is weakly pulled high internally when the USB is disabled.
65	F8	DM	USB D- Signal. This bidirectional pin carries the negative differential data or single-ended data. This pin is weakly pulled high internally when the USB is disabled.
<b>JTAG</b>			
31	B4	TCK	JTAG Clock Serial Wire Debug Clock This pin has an internal 25kΩ pullup to V <sub>DDIO</sub> .

## Pin Description (continued)

PIN		NAME	FUNCTION
TQFP-EP	WLP		
36	B5	TMS	JTAG Test Mode Select Serial Wire Debug I/O This pin has an internal 25kΩ pullup to V <sub>DDIO</sub> .
38	B6	TDO	JTAG Test Data Output
40	B7	TDI	JTAG Test Data Input. This pin has an internal 25kΩ pullup to V <sub>DDIO</sub> .
<b>RESET</b>			
22	B2	$\overline{\text{RSTN}}$	Hardware Reset, Active-Low Input. The device remains in reset while this pin is in its active state. When the pin transitions to its inactive state, the device performs a POR reset (resetting all logic on all supplies except for real-time clock circuitry) and begins execution. This pin has an internal 25kΩ pullup to the V <sub>RTC</sub> supply. This pin should be left unconnected if the system design does not provide a reset signal to the device.
23	B1	$\overline{\text{SRSTN}}$	Software Reset, Active-Low Input/Output. The device remains in software reset while this pin is in its active state. When the pin transitions to its inactive state, the device performs a reset to the Arm core, digital registers and peripherals (resetting most of the core logic on the V <sub>DD12</sub> supply). This reset does not affect the POR only registers, RTC logic, Arm debug engine or JTAG debugger allowing for a soft reset without having to reconfiguring all registers.  After the device senses $\overline{\text{SRSTN}}$ as a logic 0, the pin automatically reconfigures as an output sourcing a logic 0. The device continues to output for 6 system clock cycles and then repeats the input sensing/output driving until $\overline{\text{SRSTN}}$ is sensed inactive. This pin is internally connected with an internal 25kΩ pullup to the V <sub>RTC</sub> supply. This pin should be left unconnected if the system design does not provide a reset signal to the device.
<b>GENERAL-PURPOSE I/O AND SPECIAL FUNCTIONS</b>			
21	C2	P0.0	General-Purpose I/O, Port 0. Most port pins have multiple special functions. See Table 1 for details.
20	C1	P0.1	
19	D4	P0.2	
18	D3	P0.3	
17	D1	P0.4	
16	D2	P0.5	
15	E3	P0.6	
14	E2	P0.7	
12	E1	P1.0	General-Purpose I/O, Port 1. Most port pins have multiple special functions. See Table 1 for details.
11	E4	P1.1	
10	F3	P1.2	
9	F2	P1.3	
6	F4	P1.4	
5	E5	P1.5	
4	G2	P1.6	
99	G3	P1.7	



Pin Description (continued)

PIN		NAME	FUNCTION
TQFP-EP	WLP		
97	J2	P2.0	General-Purpose I/O, Port 2. Most port pins have multiple special functions. See Table 1 for details.
96	H2	P2.1	
95	H3	P2.2	
94	J3	P2.3	
93	G4	P2.4	
92	H4	P2.5	
89	G5	P2.6	
88	H5	P2.7	
86	F5	P3.0	General-Purpose I/O, Port 3. Most port pins have multiple special functions. See Table 1 for details.
85	E6	P3.1	
84	H6	P3.2	
83	J6	P3.3	
82	G6	P3.4	
81	F6	P3.5	
80	J7	P3.6	
79	F7	P3.7	
74	J8	P4.0	General-Purpose I/O, Port 4. Most port pins have multiple special functions. See Table 1 for details.
73	H7	P4.1	
72	H9	P4.2	
71	H8	P4.3	
70	G7	P4.4	
69	G9	P4.5	
68	G8	P4.6	
67	F9	P4.7	
49	D7	P5.0	General-Purpose I/O, Port 5. Most port pins have multiple special functions. See Table 1 for details.
48	E7	P5.1	
47	C7	P5.2	
45	D6	P5.3	
44	C6	P5.4	
30	C5	P5.5	
28	D5	P5.6	
27	C4	P5.7	
24	C3	P6.0	General-Purpose I/O, Port 6.0. Most port pins have multiple special functions. See Table 1 for details.

Pin Description (continued)

PIN		NAME	FUNCTION
TQFP-EP	WLP		
<b>ANALOG INPUT PINS</b>			
35	A4	AIN0	ADC Input 0. 5V-tolerant input.
37	A5	AIN1	ADC Input 1. 5V-tolerant input.
39	A6	AIN2	ADC Input 2
41	A7	AIN3	ADC Input 3
<b>NO CONNECTS</b>			
1, 13, 25, 26, 32, 43, 50–54, 57, 66, 75–78, 87, 98, 100	A1, A9, J1, J9	N.C.	No Connection

Table 1. MAX32620/MAX32621 GPIO Special Function Cross Reference

GPIO	PRIMARY FUNCTION	SECONDARY FUNCTION	PULSE TRAIN OUTPUT	TIMER INPUT	GPIO OUTPUT	TERTIARY FUNCTION	QUATERNARY FUNCTION
P0.0	UART0A_RX	UART0B_TX	PT_PT0	TIMER_TMR0	GPIO_INT(P0)		
P0.1	UART0A_TX	UART0B_RX	PT_PT1	TIMER_TMR1	GPIO_INT(P0)		
P0.2	UART0A_CTS	UART0B_RTS	PT_PT2	TIMER_TMR2	GPIO_INT(P0)		
P0.3	UART0A_RTS	UART0B_CTS	PT_PT3	TIMER_TMR3	GPIO_INT(P0)		
P0.4	SPIM0_SCK		PT_PT4	TIMER_TMR4	GPIO_INT(P0)		
P0.5	SPIM0_MOSI/ SDIO0		PT_PT5	TIMER_TMR5	GPIO_INT(P0)		
P0.6	SPIM0_MISO/ SDIO1		PT_PT6	TIMER_TMR0	GPIO_INT(P0)		
P0.7	SPIM0_SS0		PT_PT7	TIMER_TMR1	GPIO_INT(P0)		
P1.0	SPIM1_SCK	SPIX_SCK	PT_PT8	TIMER_TMR2	GPIO_INT(P1)		
P1.1	SPIM1_MOSI/ SDIO0	SPIX_SDIO0	PT_PT9	TIMER_TMR3	GPIO_INT(P1)		
P1.2	SPIM1_MISO/ SDIO1	SPIX_SDIO1	PT_PT10	TIMER_TMR4	GPIO_INT(P1)		
P1.3	SPIM1_SS0	SPIX_SS	PT_PT11	TIMER_TMR5	GPIO_INT(P1)		
P1.4	SPIM1_SDIO2	SPIX_SDIO2	PT_PT12	TIMER_TMR0	GPIO_INT(P1)		
P1.5	SPIM1_SDIO3	SPIX_SDIO3	PT_PT13	TIMER_TMR1	GPIO_INT(P1)		
P1.6	I2CM0/SA_SDA		PT_PT14	TIMER_TMR2	GPIO_INT(P1)		
P1.7	I2CM0/SA_SCL		PT_PT15	TIMER_TMR3	GPIO_INT(P1)		
P2.0	UART1A_RX	UART1B_TX	PT_PT0	TIMER_TMR4	GPIO_INT(P2)		
P2.1	UART1A_TX	UART1B_RX	PT_PT1	TIMER_TMR5	GPIO_INT(P2)		

**Table 1. MAX32620/MAX32621 GPIO Special Function Cross Reference (continued)**

GPIO	SPECIAL FUNCTIONS						
P2.2	UART1A_CTS	UART1B_RTS	PT_PT2	TIMER_TMR0	GPIO_INT(P2)		
P2.3	UART1A_RTS	UART1B_CTS	PT_PT3	TIMER_TMR1	GPIO_INT(P2)		
P2.4	SPIM2A_SCK		PT_PT4	TIMER_TMR2	GPIO_INT(P2)		
P2.5	SPIM2A_MOSI/ SDIO0		PT_PT5	TIMER_TMR3	GPIO_INT(P2)		
P2.6	SPIM2A_MISO/ SDIO1		PT_PT6	TIMER_TMR4	GPIO_INT(P2)		
P2.7	SPIM2A_SS0		PT_PT7	TIMER_TMR5	GPIO_INT(P2)		
P3.0	UART2A_RX	UART2B_TX	PT_PT8	TIMER_TMR0	GPIO_INT(P3)		
P3.1	UART2A_TX	UART2B_RX	PT_PT9	TIMER_TMR1	GPIO_INT(P3)		
P3.2	UART2A_CTS	UART2B_RTS	PT_PT10	TIMER_TMR2	GPIO_INT(P3)		
P3.3	UART2A_RTS	UART2B_CTS	PT_PT11	TIMER_TMR3	GPIO_INT(P3)		
P3.4	I2CM1/SB_SDA	SPIM2A_SS1	PT_PT12	TIMER_TMR4	GPIO_INT(P3)		
P3.5	I2CM1/SB_SCL	SPIM2A_SS2	PT_PT13	TIMER_TMR5	GPIO_INT(P3)		
P3.6	SPIM1_SS1	SPIX_SS1	PT_PT14	TIMER_TMR0	GPIO_INT(P3)		
P3.7	SPIM1_SS2	SPIX_SS2	PT_PT15	TIMER_TMR1	GPIO_INT(P3)		
P4.0	OWM_I/O	SPIM2A_SR0	PT_PT0	TIMER_TMR2	GPIO_INT(P4)		
P4.1	OWM_PUPEN	SPIM2A_SR1	PT_PT1	TIMER_TMR3	GPIO_INT(P4)		
P4.2	SPIM0_SDIO2		PT_PT2	TIMER_TMR4	GPIO_INT(P4)		
P4.3	SPIM0_SDIO3		PT_PT3	TIMER_TMR5	GPIO_INT(P4)		
P4.4	SPIM0_SS1		PT_PT4	TIMER_TMR0	GPIO_INT(P4)		
P4.5	SPIM0_SS2		PT_PT5	TIMER_TMR1	GPIO_INT(P4)		
P4.6	SPIM0_SS3		PT_PT6	TIMER_TMR2	GPIO_INT(P4)		
P4.7	SPIM0_SS4		PT_PT7	TIMER_TMR3	GPIO_INT(P4)		
P5.0	Reserved	SPIM2B_SCK	PT_PT8	TIMER_TMR4	GPIO_INT(P5)		
P5.1	Reserved	SPIM2B_ MOSI/SDIO0	PT_PT9	TIMER_TMR5	GPIO_INT(P5)		
P5.2	Reserved	SPIM2B_ MISO/SDIO1	PT_PT10	TIMER_TMR0	GPIO_INT(P5)		
P5.3	Reserved	SPIM2B_SS0	PT_PT11	TIMER_TMR1	GPIO_INT(P5)	UART3A_RX	UART3B_TX
P5.4	Reserved	SPIM2B_ SDIO2	PT_PT12	TIMER_TMR2	GPIO_INT(P5)	UART3A_TX	UART3B_RX
P5.5	Reserved	SPIM2B_ SDIO3	PT_PT13	TIMER_TMR3	GPIO_INT(P5)	UART3A_CTS	UART3B_RTS
P5.6	Reserved	SPIM2B_SR	PT_PT14	TIMER_TMR4	GPIO_INT(P5)	UART3A_RTS	UART3B_CTS
P5.7	I2CM2/SC_SDA	SPIM2B_SS1	PT_PT15	TIMER_TMR5	GPIO_INT(P5)		
P6.0	I2CM2/SC_SCL	SPIM2B_SS2	PT_PT0	TIMER_TMR0	GPIO_INT(P5)		

## MAX32620/MAX32621

### Detailed Description

The MAX32620/MAX32621 is a low-power, mixed signal microcontroller that includes the Arm Cortex-M4 with FPU core with a maximum operating frequency of 96MHz. An internal 4MHz oscillator supports minimal power consumption for applications requiring always-on monitoring. The MAX32621 is a secure version, incorporating a trust protection unit (TPU) with encryption and advanced security features.

Application code executes from an onboard 2MB/1MB program flash memory, with 256KB SRAM available for general application use. An 8KB instruction cache improves execution throughput, and a transparent code scrambling scheme protects customer intellectual property residing in the program flash memory. Additionally, a SPI execute in place (SPIX) external memory interface allows application code and data (up to 16MB) to be accessed from an external SPI memory device.

A 10-bit sigma-delta ADC is provided with a multiplexer front end for four external input channels (two of which are 5.5V tolerant) and internal channels to monitor supply voltages. Built-in limit monitors allow converted input samples to be compared against user-configurable high and low limits, with an option to trigger an interrupt and wake the CPU from a low power mode if attention is required.

A wide variety of communications and interface peripherals are provided, including a USB 2.0-compliant slave interface, three master SPI interfaces, four UART interfaces with multidrop support, three master I<sup>2</sup>C interfaces, and a slave I<sup>2</sup>C interface.

### Arm Cortex-M4 with FPU Core

The Arm Cortex-M4 with FPU core is ideal for the emerging category of wearable medical and wellness applications. The architecture combines high-efficiency signal processing functionality with low power, low cost, and ease of use.

- Floating Point Unit (FPU)
- Memory Protection Unit
- Full debug support level
  - Debug Access Port (DAP)
  - Breakpoints
  - DWT
  - Flash patch
  - Halting debug

- Debug access port: JTAG or serial wire
- NVIC support:
  - 52 interrupts to be grouped by firmware into 8 levels of priority
- DSP supports Single Instruction Multiple Data (SIMD) Path DSP extensions, providing:
  - 4 parallel 8 bit add/sub
  - 2 parallel 16 bit add/sub
  - 2 parallel MACs
  - 32 or 64 bit accumulate
  - Signed, unsigned, data with or without saturation

### Power Operating Modes

#### Low Power Mode 0 (LP0)

This mode places the core and peripheral logic in a static, low-power state. All features of the device are disabled except:

- Power sequencer
- RTC (if enabled)
- Key data retention registers
- Power-on reset
- Voltage supply monitoring

Data retention in this mode can be maintained using only the  $V_{RTC}$  supply, with all other voltage supplies disabled.

#### Low Power Mode 1 (LP1)

This mode places the core logic in a static, low-power state which supports a fast wakeup feature. Data retention in this mode can be maintained using only the  $V_{RTC}$  supply, with all other voltage supplies disabled.

#### Low Power Mode 2 (LP2)

This configuration allows the ADC and some peripherals to operate while the Arm core is in sleep mode. The peripheral management unit provides intelligent, dynamic clocking of any enabled peripherals, ensuring the lowest power consumption possible.

#### Low Power Mode 3 (LP3)

During this state, the CPU is executing application code and all digital and analog peripherals are fully powered and awake. Dynamic clocking disables peripherals not in use, providing the optimal mix of high-performance and low power consumption.

## Analog to Digital Converter (ADC)

The 10-bit sigma-delta ADC provides four external inputs and can also be configured to measure all internal power supplies. It operates at a maximum of 7.8ksps. AIN0 and AIN1 are 5.5V tolerant, making them suitable for monitoring batteries.

An optional feature allows samples captured by the ADC to be automatically compared against user-programmable high and low limits. Up to four channel limit pairs can be configured in this way. The comparison allows the ADC to trigger an interrupt (and potentially wake the CPU from a low power sleep mode) when a captured sample goes outside the preprogrammed limit range. Since this comparison is performed directly by the sample limit monitors, it can be performed even while the main CPU is suspended in a low-power mode.

The ADC reference can be the internal 1.2V bandgap or an external reference.

The ADC measures:

- AIN[3:2] (up to 3.3V)
- AIN[1:0] (up to 5.5V)
- $V_{DD12}$
- $V_{DD18}$
- $V_{DDB}$
- $V_{RTC}$
- $V_{DDIO}$
- $V_{DDIOH}$

## Pulse Train Engine

Sixteen independent pulse train generators provide either a square wave or a repeating pattern from 2 bits to 32 bits in length.

Each pulse train generator is independently configurable.

The pulse train generators provide the following:

- Independently enabled
- Multiple pin configurations allow for flexible layout
- Pulse trains can be started/synchronized independently or as a group
- Frequency of each enabled pulse train generator is also set separately, based on a divide down (divide by 2, divide by 4, divide by 8, and so on) of the input pulse train module clock
- Multiple repetition options for pulse train mode
  - Single shot (nonrepeating pattern of 2-32 bits)
  - Pattern repeats user-configurable number of times or indefinitely
  - End of one pulse train's loop count can restart one or more other pulse trains

## Clocking Scheme

The high-frequency internal relaxation oscillator operates at a nominal frequency of 96MHz. It is the primary clock source for the digital logic and peripherals. The 4MHz internal oscillator can be selected to optimize active power consumption. Wakeup is possible from either the 4MHz or the 96MHz internal oscillator.

An external 32.768kHz timebase is required when using the RTC or USB features of the device. The time base can be generated by attaching a 32kHz crystal. An external clock source can also be applied to the 32KIN pin. The external clock source must meet the electrical/timing requirements in the EC table.

## Interrupt Sources

The Arm nested vector interrupt controller (NVIC) provides high speed, deterministic interrupt response, interrupt masking, and multiple interrupt sources. Each peripheral is connected to the NVIC and can have multiple interrupt flags to indicate the specific source of the interrupt within the peripheral.

The NVIC provides:

- Up to 52 distinct interrupt sources (including internal and external interrupts)
- Eight priority levels
- A dedicated interrupt for each port

## Real-Time Clock

A real-time clock (RTC) keeps the time of day in absolute seconds. The time base can be generated by connecting a 32kHz crystal between 32KIN and 32KOUT or an external clock source can be applied to the 32KIN pin. The external clock source must meet the electrical/timing requirements in the EC table. The 32kHz output can be directed to a GPIO for observation and use.

The 32-bit seconds register can count up to approximately 136 years and be translated to calendar format by application software. A time-of-day alarm and independent subsecond alarm can cause an interrupt or wake the device from stop mode.

The wake-up timer allows the device to remain in low power mode for extended periods of time. The minimum wake-up interval is 244 $\mu$ s.

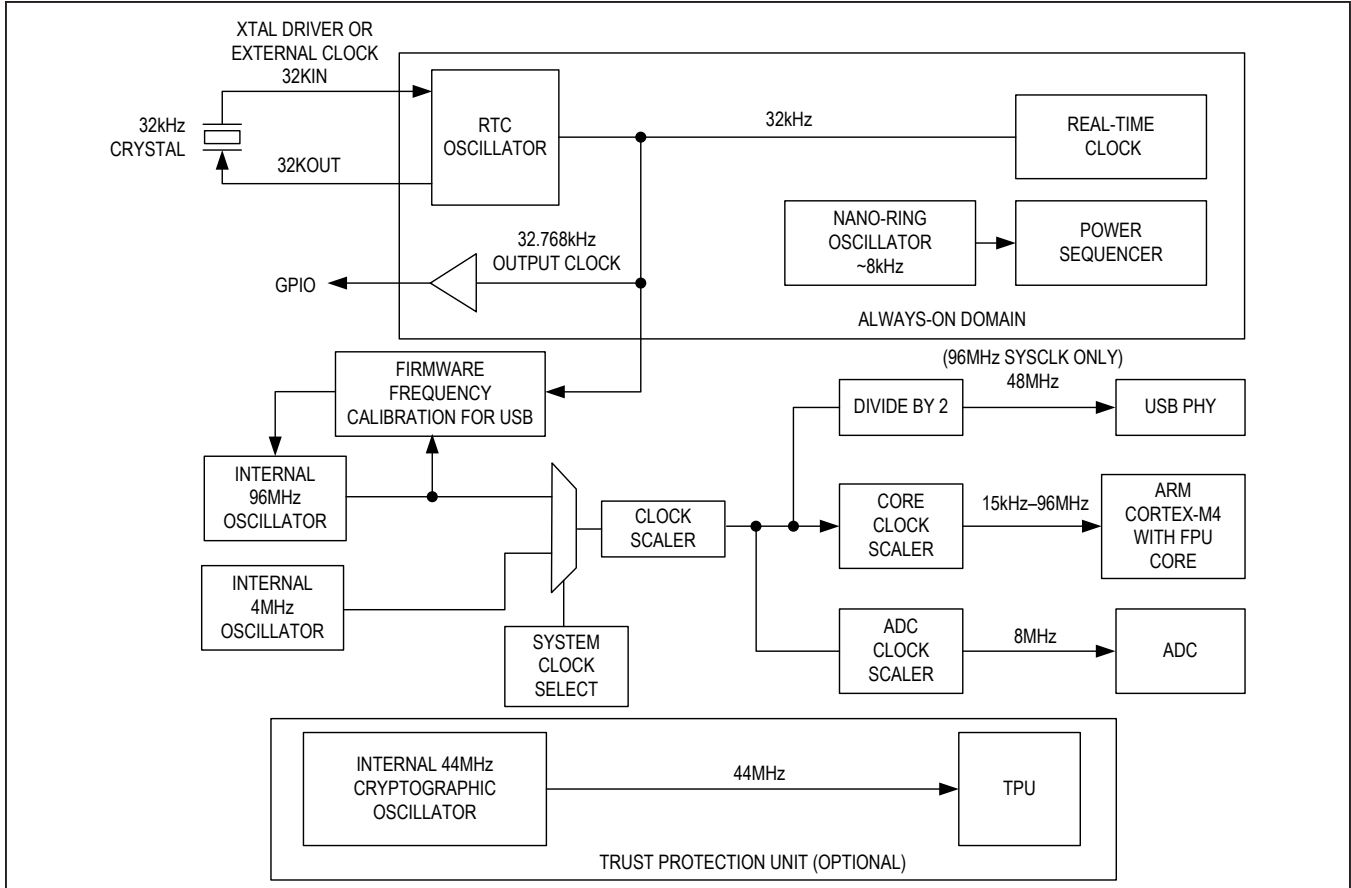


Figure 2. MAX32620/MAX32621 Clock Scheme (TPU on MAX32621 Only)

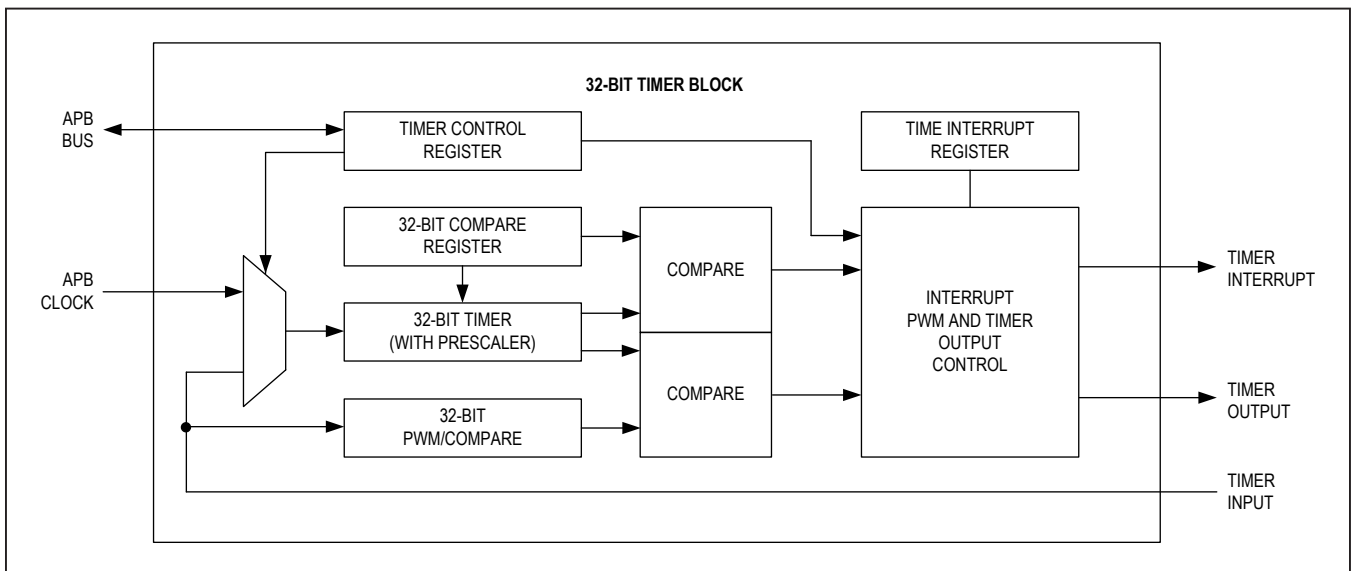


Figure 3. Timer Block Diagram, 32-Bit Mode

## General Purpose I/O and Special Function Pins

General-purpose I/O (GPIO) pins are controlled directly by firmware or one or more peripheral modules connected to that pin. GPIO are logically divided into 8-pin ports. Each 8-bit port provides a dedicated interrupt.

The alternate functions for each pin are shown in [Table 1](#).

The following features are independently configurable for each GPIO pin:

- GPIO or special function mode operation
- $V_{DDIO}$  or  $V_{DDIOH}$  supply voltage
- $V_{DD18}$  GPIO supply voltage supported for legacy operation
- Normal and fast output drive strength
- Open-drain output or high-impedance input
- Configurable strong or weak internal pullup/pulldown resistors
- Simple output-only functions
  - Output from pulse trains (0 through 15)
  - Output from timers running in 32-bit mode

Some peripherals have optional pin assignments, allowing for greater flexibility during PCB layout. These optional pin assignments are identified with the letter B, C, or D after the peripheral name. On the MAX32620/MAX32621, the UART0\_RX signal is mapped to the P0.0 pin. If the B configuration is chosen, the UART0\_RX signal is mapped to the P0.1 pin.

## CRC Module

The CRC hardware module provides fast calculations and data integrity checks by application software. The CRC module supports both the CRC-16-CCITT and CRC-32 ( $X^{32} + X^{26} + X^{23} + X^{22} + X^{16} + X^{12} + X^{11} + X^{10} + X^8 + X^7 + X^5 + X^4 + X^2 + X^1 + 1$ ) polynomials.

## Watchdog Timers

Two independent watchdog timers (WDT0 and WDT1) with window support are provided. The WDT has multiple clock source options to ensure system security. It uses a 32-bit timer with prescaler to generate the watchdog reset. When enabled, the WDT must be reset prior to timeout or within a window of time if window mode is enabled. Failure to reset the WDT during the programmed timing window results in a watchdog timeout. WDT resets can cause firmware or power-on resets. The WDT0 or WDT1 flags are set on reset if a watchdog expiration

caused the system reset. The clock source options for the WDT include:

- Scaled-system clock
- RTC clock
- Power management clock

A third watchdog timer (WDT2) is provided for recovery from runaway code or system unresponsiveness. When enabled, this watchdog must be reset prior to timeout, resulting in a watchdog timeout. The WDT2 flag is set on reset if a watchdog expiration caused the system reset.

WDT2 is unique in that it is in the always-on domain, and continues to run even in LP1 or LP0. The timeout period for WDT2 can be programmed as long as 8 seconds. The granularity of the timeout period is intended only for system recovery.

## Programmable Timers

Six 32-bit timers provide timing, capture/compare, or generation of pulse-width modulated (PWM) signals. Each timer can be split into two 16-bit timers, enabling 12 standard 16-bit timers.

32-bit timer features:

- 32-bit up/down auto-reload
- Programmable 16-bit prescaler
- PWM output generation
- Capture, compare, and capture/compare capability
- External input pin for timer input, clock gating or capture, limited to an input frequency of 1/4 of the peripheral clock frequency
- Timer output pin
- Configurable as 2x 16-bit general purpose timers
- Timer interrupt

## Serial Peripherals

### USB Controller

The integrated USB controller is compliant with the full-speed (12Mb/s) USB 2.0 specification. The integrated USB physical interface (PHY) reduces board space and system cost. An integrated voltage regulator allows for smart switching between the main supply and  $V_{DDB}$  when connected to a USB host controller.

The USB controller supports DMA for the endpoint buffers. A total of 7 endpoint buffers are supported with configurable selection of IN or OUT in addition to endpoint 0.



An external 32kHz crystal or clock source is required for USB operation, even if the RTC function is not used. Although the USB timing is derived from the internal 96MHz oscillator, the default accuracy is not sufficient for USB operation. Firmware trimming of the 96MHz oscillator using the 32kHz timebase as a reference is necessary to comply with USB timing requirements.

### I<sup>2</sup>C Master and Slave Ports

The I<sup>2</sup>C interface is a bidirectional, 2-wire serial bus that provides a medium-speed communications network. It can operate as a one-to-one, one-to-many or many-to-many communications medium.

Three I<sup>2</sup>C interfaces allow for up to three I<sup>2</sup>C master engines and one I<sup>2</sup>C-selectable slave engine, which interface to a wide variety of I<sup>2</sup>C-compatible peripherals. These engines support both Standard-mode and Fast-mode I<sup>2</sup>C standards. The slave engine shares the same I/O port as the master engines and is selectable through the I/O configuration settings. It provides the following features:

- Master or slave mode operation
- Supports standard (7-bit) or expanded (10-bit) addressing
- Support for clock stretching to allow slower slave devices to operate on higher speed busses
- Multiple transfer rates:
  - Standard-mode: 100kbps
  - Fast-mode: 400kbps
- Internal filter to reject noise spikes
- Receiver FIFO depth of 16 bytes
- Transmitter FIFO depth of 16 bytes

### Serial Peripheral Interface—Master

The SPI master-mode-only (SPIM) interface operates independently in a single or multiple slave system and is fully accessible to the user application.

The SPI ports provide a highly configurable, flexible and efficient interface to communicate with a wide variety of SPI slave devices. The three SPI master ports (SPI0, SPI1, SPI2) support the following features:

- Supports all four SPI modes (0,1,2,3) for single-bit communication
- 3 or 4 wire mode for single-bit slave device communication
- Full-duplex operation in single-bit, 4-wire mode
- Dual and quad I/O supported
- Up to 5 slave select lines per port

- Up to 2 slave ready lines
- Programmable interface timing
- Programmable SCK frequency and duty cycle
- Programmable SCK alternate timing
- SS (slave select) assertion and deassertion timing with respect to leading/trailing SCK edge

### Serial Peripheral Interface—Execute in Place (SPIX) Master

The SPIX allows the CPU to transparently execute instructions stored in an external SPI flash. Instructions fetched through the SPIX master are cached just like instructions fetched from internal program memory. The SPIX master can also be used to access large amounts of external static data that would otherwise reside in internal data memory.

### Serial Peripheral Interface—Slave

The SPI slave (SPIS) port provides a highly configurable, flexible, and efficient interface to communicate with a wide variety of SPI master devices. The SPI slave interface provides the following features:

- Supports SPI modes 0 and 3
- Full-duplex operation in single-bit, 4-wire mode
- Slave select polarity fixed (active low)
- Dual and Quad I/O supported
- High-speed AHB access to transmit and receive using 32-byte FIFOs
- Four interrupts to monitor FIFO levels

### UART

All four universal asynchronous receiver-transmitter (UART) interfaces support full-duplex asynchronous communication with optional hardware flow control (HFC) modes to prevent data overruns. If HFC mode is enabled on a given port, the system uses two extra pins to implement the industry-standard request to send (RTS) and clear to send (CTS) methodology. Each UART is individually programmable.

- 2-wire interface or 4-wire interface with flow control
- 2x 32-byte send/receive FIFOs, one for transmit and receive
- Full-duplex operation for asynchronous data transfers
- Programmable interrupt for receive and transmit
- Independent baud-rate generator
- Programmable 9<sup>th</sup> bit parity support
- Start/stop bit support
- Hardware flow control using RTS/CTS
- Maximum baud rate 1843.2kB



### 1-Wire Master

Maxim's DeepCover® 1-Wire security solutions provide a cost-effective solution to authenticate medical sensors and peripherals, preventing counterfeit products. The integrated 1-Wire master communicates with slave devices via the bidirectional, multidrop 1-Wire bus. All of the devices on the 1-Wire bus share one signal which carries data communication and also supplies power to the slave devices. The single contact serial interface is ideal for communication networks requiring minimal interconnect. Features of the 1-Wire bus include:

- Single contact for control and operation
- Unique factory identifier for any 1-Wire device
- Power is distributed to all slave device (parasitic power)
- Multiple device capability on a single line
- Supports 1-Wire standard (15.6kbps) and overdrive (110 kbps) speeds

The incorporation of the 1-Wire master enables the creation of 1-Wire enhanced of consumable and reusable accessories. The following benefits can be added to products by the addition of only one contact:

- OEM authenticity is verifiable with SHA-256 and ECDSA
- External tracking is eliminated because calibration data can be securely stored within accessory
- Reuse of single-use accessories can be prevented
- Counterfeit products can be identified and use denied using the unique, factory identifier
- Environmental temperature and humidity sensing

### Trust Protection Unit (TPU) (MAX32621 Only)

The TPU enhances cryptographic data security for valuable intellectual property (IP) and data. A high-speed, dedicated, hardware-based math accelerator (MAA) performs mathematical computations that support strong cryptographic algorithms including:

- AES-128
- AES-192
- AES-256
- 1024-bit DSA
- 2048-bit (CRT)

The device provides a true random number generator which can be used to create cryptographic keys for any application. A user-selectable entropy source further increases the randomness and key strength.

The secure bootloader protects against unauthorized access to program memory.

*DeepCover is a registered trademark of Maxim Integrated Products, Inc.*

### Peripheral Management Unit (PMU)

The PMU is a DMA-based link list processing engine that performs operations and data transfers involving memory and/or peripherals in the advanced peripheral bus (APB) and advanced high-performance bus (AHB) peripheral memory space while the main CPU is in a sleep state. This allows low-overhead peripheral operations to be performed without the CPU, significantly reducing overall power consumption. Using the PMU with the CPU in a sleep state provides a lower-noise environment critical for obtaining optimum ADC performance.

Key features of the PMU engine include:

- Six independent channels with round-robin scheduling allows for multiple parallel operations
- Programmed using SRAM-based PMU opcodes
- PMU action can be initiated from interrupt conditions from peripherals without CPU
- Integrated AHB bus master
- Coprocessor-like state machine

### Additional Documentation

Engineers must have the following documents to fully use this device:

- This data sheet, containing pin descriptions, feature overviews, and electrical specifications
- The device-appropriate user guide, containing detailed information and programming guidelines for core features and peripherals
- Errata sheets for specific revisions noting deviations from published specifications.

For information regarding these documents, visit Technical Support at [support.maximintegrated.com/micro](http://support.maximintegrated.com/micro).

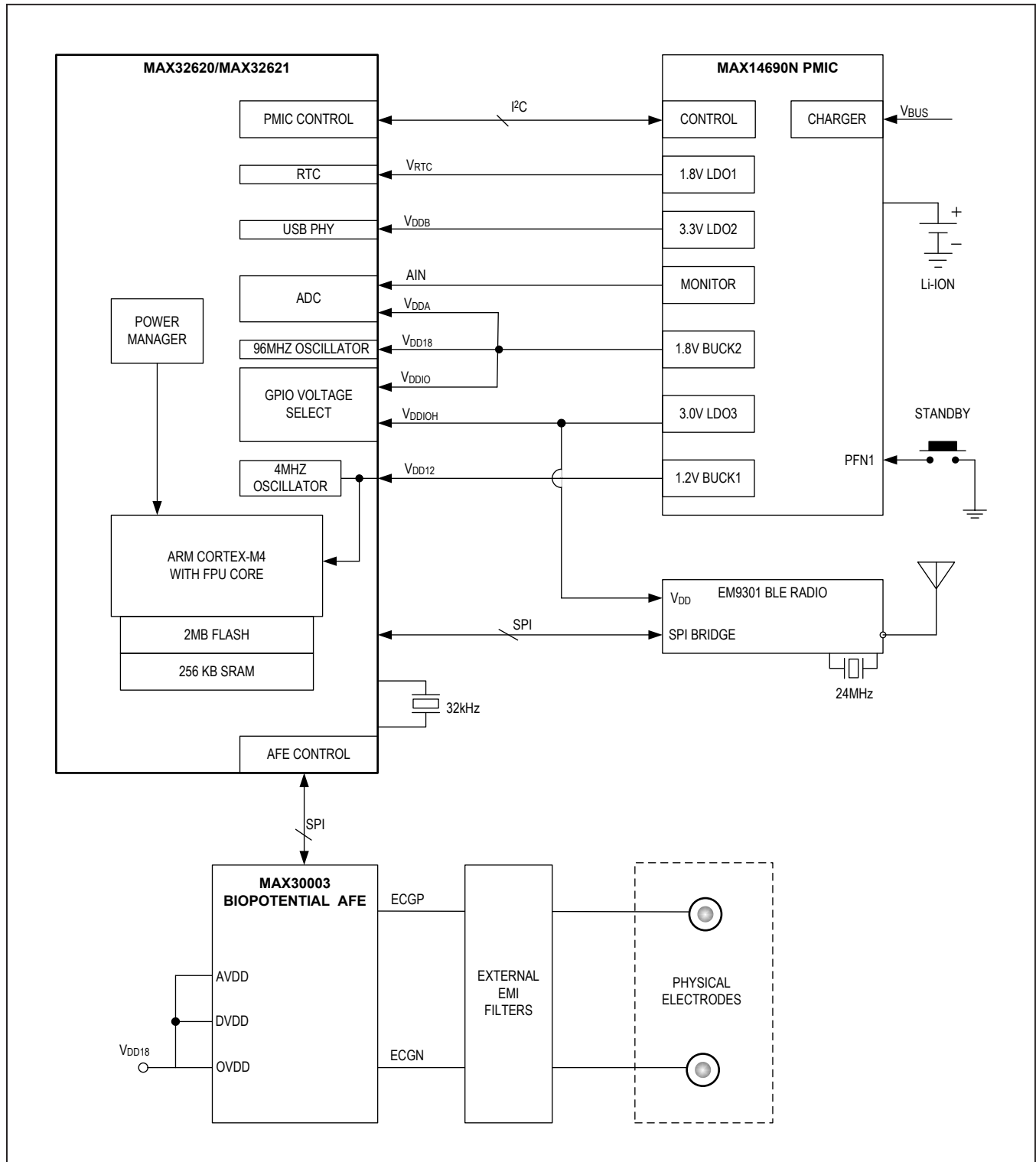
### Development and Technical Support

Contact technical support for information about highly versatile, affordable development tools, available from Maxim Integrated and third-party vendors.

- Evaluation kits
- Software development kit
- Compilers
- Integrated development environments (IDEs)
- USB interface modules for programming and debugging

For technical support, go to [support.maximintegrated.com/micro](http://support.maximintegrated.com/micro).

Typical Application Circuit—Wearable Cardiac Monitor



## Ordering Information

PART	FLASH (MB)	SRAM (KB)	TRUST PROTECTION UNIT	PIN-PACKAGE
MAX32620ICQ+	2	256	No	100 TQFP
MAX32620IWG+	2	256	No	81 WLP
MAX32620IWG+T	2	256	No	81 WLP
MAX32620IWGL+	1	256	No	81 WLP
MAX32620IWGL+T	1	256	No	81 WLP
MAX32621ICQ+	2	256	Yes	100 TQFP
MAX32621IWG+	2	256	Yes	81 WLP
MAX32621IWG+T	2	256	Yes	81 WLP

+Denotes a lead(Pb)-free/RoHS-compliant package.

T = Tape and reel.

## Package Information

For the latest package outline information and land patterns (footprints), go to [www.maximintegrated.com/packages](http://www.maximintegrated.com/packages). Note that a "+", "#", or "-" in the package code indicates RoHS status only. Package drawings may show a different suffix character, but the drawing pertains to the package regardless of RoHS status.

PACKAGE TYPE	PACKAGE CODE	OUTLINE NO.	LAND PATTERN NO.
81 WLP	W813D3+1	<a href="#">21-0776</a>	Refer to <a href="#">Application Note 1891</a>
100 TQFP-EP	C100E+3	<a href="#">21-0116</a>	<a href="#">90-0154</a>

## Revision History

REVISION NUMBER	REVISION DATE	DESCRIPTION	PAGES CHANGED
0	6/15	Initial release	—
1	1/17	Added 4MHz clock option to EC table, added new GPIO $V_{DDIO}/V_{DDIOH}$ option while supporting legacy $V_{DD18}$ I/O supply to EC table, pin configuration, and pin description, absolute maximum rating for $V_{RTC}$ changed from 3.6V to 1.89V, $V_{AIN(MIN)}$ typo corrected from $V_{SS}$ to $V_{SSA}$ , $\overline{RSTN}$ pin supply corrected from $V_{DD18}$ to $V_{RTC}$ , added I <sup>2</sup> C and SPI timings, updated feature descriptions to conform to MAX32625/MAX32626 style, corrected Table 1 title, corrected part number in detailed description, added text in General Description describing differences between “C” and “A” revisions of the device, corrected RTC frequency to 32.768kHz, changed instances of WTD to WDT, corrected instances of $T_A = +20^\circ\text{C}$ to $T_A = +25^\circ\text{C}$ , changed page 1 typical values from current to power, updated $I_{DDXX}$ typical values, removed redundant feature list on page 26, removed references to SPI bridge from I/O Matrix as the feature was never implemented, recommended $V_{DD12}$ bypass capacitor changed from 100nF to 1.0 $\mu\text{F}$ , corrected Arm Cortex trademark usage in text and figures, I <sup>2</sup> H3V min/max from $\pm 1$ to $\pm 2$ , $V_{RST(MIN)}$ from 1.62V to 1.61V, $f_{INTCLK}$ min/max from 94.08/97.92 to 94/98MHz, corrected $f_{RCCLK(MIN)}$ from 3.9 to 0.001MHz to clarify effect of clock divider option, but no change to device, moved 1-Wire Master I/O to Table 1, added MAX32620IWGL+ and MAX32620IWGL+T part numbers	1–8, 10–16, 18–26
2	5/17	Changed references to PRNG to TRNG (true random number generator) in <i>General Description</i> , <i>Benefits and Features</i> , <i>MAX32620/MAX32621 Block Diagram</i> , and <i>Trust Protection Unit (TPU) (MAX32621 Only)</i> sections; changed 32KIN, 32KOUT in Absolute Maximum Ratings from “-0.3V to +3.6V” to “-0.3V to $V_{RTC} + 0.2\text{V}$ ,” and removed future product designation from MAX32620IWGL+ and MAX32620IWGL+T in <i>Ordering Information</i>	1–3, 25, 27
2.1		Updated Arm trademark and appearance	1–28
3	3/18	Updated General Description and changed TQFP instances to TQFP-EP	1–28

For pricing, delivery, and ordering information, please contact Maxim Direct at 1-888-629-4642, or visit Maxim Integrated's website at [www.maximintegrated.com](http://www.maximintegrated.com).

Maxim Integrated cannot assume responsibility for use of any circuitry other than circuitry entirely embodied in a Maxim Integrated product. No circuit patent licenses are implied. Maxim Integrated reserves the right to change the circuitry and specifications without notice at any time. The parametric values (min and max limits) shown in the Electrical Characteristics table are guaranteed. Other parametric values quoted in this data sheet are provided for guidance.