

# MAX690T/S/R, MAX704T/S/R, MAX802T/S/R, MAX804–MAX806T/S/R

# 3.0V/3.3V Microprocessor Supervisory Circuits

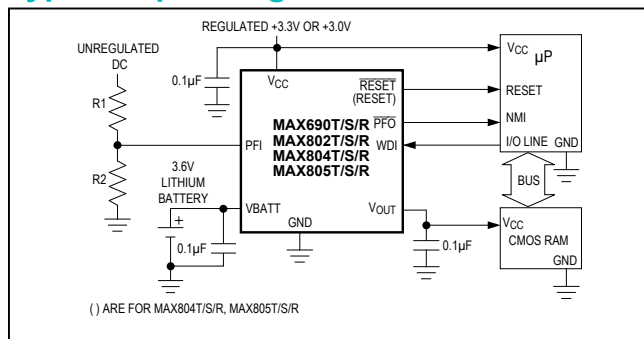
## General Description

These microprocessor ( $\mu\text{P}$ ) supervisory circuits reduce the complexity and number of components required for power-supply monitoring and battery-control functions in  $\mu\text{P}$  systems. They significantly improve system reliability and accuracy compared to separate ICs or discrete components.

These devices are designed for use in systems powered by 3.0V or 3.3V supplies. See the selector guide in the back of this data sheet for similar devices designed for 5V systems. The suffixes denote different reset threshold voltages: 3.075V (T), 2.925V (S), and 2.625V (R) (see the *Reset Threshold* section in the *Detailed Description*). All these parts are available in 8-pin DIP and SO packages. Functions offered in this series are as follows:

|        | Active-Low Reset | Active-High Reset | Watchdog Input | Manual Reset Input | Backup-Battery Switch | Threshold Accuracy | Power-Fail Comparator | Power-Fail Comparator | Reset Window |
|--------|------------------|-------------------|----------------|--------------------|-----------------------|--------------------|-----------------------|-----------------------|--------------|
| MAX690 | ✓                |                   |                | ✓                  |                       | ±4%                | ✓                     | ✓                     | ±75mV        |
| MAX704 | ✓                |                   |                |                    | ✓                     | ±4%                | ✓                     | ✓                     | ±75mV        |
| MAX802 | ✓                |                   |                | ✓                  |                       | ±2%                | ✓                     | ✓                     | ±2%          |
| MAX804 |                  | ✓                 | ✓              |                    |                       | ±2%                | ✓                     | ✓                     | ±2%          |
| MAX805 |                  | ✓                 | ✓              |                    |                       | ±4%                | ✓                     | ✓                     | ±75mV        |
| MAX806 | ✓                |                   |                |                    | ✓                     | ±2%                | ✓                     | ✓                     | ±2%          |

## Typical Operating Circuits



Typical Operating Circuits continued at at end of data sheet.

## Features

- $\overline{\text{RESET}}$  and RESET Outputs
- Manual Reset Input
- Precision Supply-Voltage Monitor
- 200ms Reset Time Delay
- Watchdog Timer (1.6sec timeout)
- Battery-Backup Power Switching—Battery Can Exceed  $V_{\text{CC}}$  in Normal Operation
- 40 $\mu\text{A}$   $V_{\text{CC}}$  Supply Current
- 1 $\mu\text{A}$  Battery Supply Current
- Voltage Monitor for Power-Fail or Low-Battery Warning
- Guaranteed  $\overline{\text{RESET}}$  Assertion to  $V_{\text{CC}} = 1\text{V}$
- 8-Pin DIP and SO Packages

## Applications

- Battery-Powered Computers and Controllers
- Embedded Controllers
- Intelligent Instruments
- Critical  $\mu\text{P}$  Power Monitoring
- Portable Equipment

## Ordering Information

| PART**     | TEMP RANGE      | PIN-PACKAGE   |
|------------|-----------------|---------------|
| MAX690_CPA | 0°C to +70°C    | 8 Plastic DIP |
| MAX690_CSA | 0°C to +70°C    | 8 SO          |
| MAX690_C/D | 0°C to +70°C    | Dice*         |
| MAX690_EPA | -40°C to +85°C  | 8 Plastic DIP |
| MAX690_ESA | -40°C to +85°C  | 8 SO          |
| MAX690_MJA | -55°C to +125°C | 8 CERDIP      |

Ordering Information continued at end of data sheet.

\*Contact factory for dice specifications.

\*\*These parts offer a choice of reset threshold voltage. Select the letter corresponding to the desired nominal reset threshold voltage (T = 3.075V, S = 2.925V, R = 2.625V) and insert it into the blank to complete the part number.

Devices in PDIP and SO packages are available in both leaded and lead(Pb)-free packaging. Specify lead free by adding the + symbol at the end of the part number when ordering. Lead free not available for CERDIP package.

Pin Configuration appears at end of data sheet.

### Absolute Maximum Ratings

Terminal Voltage (with respect to GND)

|                       |   |
|-----------------------|---|
| V <sub>CC</sub> ..... | -0.3V to +6.0V                                  |
| VBATT .....           | -0.3V to +6.0V                                  |
| All Other Inputs..... | -0.3V to the higher of V <sub>CC</sub> or VBATT |

Continuous Input Current

|                       |       |
|-----------------------|-------|
| V <sub>CC</sub> ..... | 100mA |
| VBATT .....           | 18mA  |
| GND.....              | 18mA  |

Output Current

|                        |       |
|------------------------|-------|
| RESET, PFO .....       | 18mA  |
| V <sub>OUT</sub> ..... | 100mA |

Continuous Power Dissipation (T<sub>A</sub> = +70°C)

|   |       |
|---|-------|
| Plastic DIP (derate 9.09mW/°C above +70°C)..... | 727mW |
| SO (derate 5.88mW/°C above +70°C).....          | 471mW |
| CERDIP (derate 8.00mW/°C above +70°C).....      | 640mW |

Operating Temperature Ranges

|  |                 |
|--|-----------------|
| MAX690_C_/MAX704_C_/MAX80_C_.....      | 0°C to +70°C    |
| MAX690_E_/MAX704_E_/MAX80_E_.....      | -40°C to +85°C  |
| MAX690_M_/MAX704_M_/MAX80_M_.....      | -55°C to +125°C |
| Storage Temperature Range.....         | -65°C to +160°C |
| Lead Temperature (soldering, 10s)..... | +300°C          |

Stresses beyond those listed under "Absolute Maximum Ratings" may cause permanent damage to the device. These are stress ratings only, and functional operation of the device at these or any other conditions beyond those indicated in the operational sections of the specifications is not implied. Exposure to absolute maximum rating conditions for extended periods may affect device reliability.

### Electrical Characteristics

(V<sub>CC</sub> = 3.17V to 5.5V for the MAX690T/MAX704T/MAX80\_T, V<sub>CC</sub> = 3.02V to 5.5V for the MAX690S/MAX704S/MAX80\_S, V<sub>CC</sub> = 2.72V to 5.5V for the MAX690R/MAX704R/MAX80\_R; VBATT = 3.6V; T<sub>A</sub> = T<sub>MIN</sub> to T<sub>MAX</sub>; unless otherwise noted. Typical values are at T<sub>A</sub> = +25°C.)

| PARAMETER  | SYMBOL              | CONDITIONS  | MIN                      | TYP                      | MAX | UNITS |
|--|---------------------|---|--------------------------|--------------------------|-----|-------|
| Operating Voltage Range, V <sub>CC</sub> , VBATT (Note 1)                          |                     | MAX690_C, MAX704_C, MAX80_C   | 1.0                      |                          | 5.5 | V     |
|  |                     | MAX690_E/M, MAX704_E/M, MAX80_E/M   | 1.1                      |                          | 5.5 |       |
| V <sub>CC</sub> Supply Current (excluding I <sub>OUT</sub> )                       | I <sub>SUPPLY</sub> | MAX690_C/E, MAX704_C/E, MAX80_C/E, V <sub>CC</sub> < 3.6V                       |                          | 40                       | 50  | μA    |
|  |                     | MAX690_C/E, MAX704_C/E, MAX80_C/E, V <sub>CC</sub> < 5.5V                       |                          | 50                       | 65  |       |
|  |                     | MAX690_M, MAX704_M, MAX80_M, V <sub>CC</sub> < 3.6V                             |                          | 40                       | 55  |       |
|  |                     | MAX690_M, MAX704_M, MAX80_M, V <sub>CC</sub> < 5.5V                             |                          | 50                       | 70  |       |
| V <sub>CC</sub> Supply Current in Battery-Backup Mode(excluding I <sub>OUT</sub> ) |                     | $\overline{MR} = V_{CC}$ (MAX704_/MAX806_) V <sub>CC</sub> = 2.0V, VBATT = 2.3V |                          | 25                       | 50  | μA    |
| VBATT Supply Current, Any Mode (excluding I <sub>OUT</sub> ) (Note 2)              |                     | MAX690_C/E, MAX704_C/E, MAX80_C/E   |                          | 0.4                      | 1   | μA    |
|  |                     | MAX690_M, MAX704_M, MAX80_M   |                          | 0.4                      | 10  |       |
| Battery Leakage Current (Note 3)   |                     | MAX690_C/E, MAX704_C/E, MAX80_C/E   |                          | 0.01                     | 0.5 | μA    |
|  |                     | MAX690_M, MAX704_M, MAX80_M   |                          | 0.01                     | 5   |       |
| V <sub>OUT</sub> Output Voltage  |                     | MAX690_C/E, MAX704_C/E, MAX80_C/E, I <sub>OUT</sub> = 5mA (Note 4)              | V <sub>CC</sub> - 0.3    | V <sub>CC</sub> - 0.015  |     | V     |
|  |                     | MAX690_C/E, MAX704_C/E, MAX80_C/E, I <sub>OUT</sub> = 50mA                      | V <sub>CC</sub> - 0.3    | V <sub>CC</sub> - 0.15   |     |       |
|  |                     | MAX690_M, MAX704_M, MAX80_M, I <sub>OUT</sub> = 5mA (Note 4)                    | V <sub>CC</sub> - 0.035  | V <sub>CC</sub> - 0.015  |     |       |
|  |                     | MAX690_M, MAX704_M, MAX80_M, I <sub>OUT</sub> = 50mA                            | V <sub>CC</sub> - 0.35   | V <sub>CC</sub> - 0.15   |     |       |
|  |                     | I <sub>OUT</sub> = 250μA, V <sub>CC</sub> > 2.5V (Note 4)                       | V <sub>CC</sub> - 0.0015 | V <sub>CC</sub> - 0.0006 |     |       |

**Electrical Characteristics (continued)**

( $V_{CC}$  = 3.17V to 5.5V for the MAX690T/MAX704T/MAX80\_T,  $V_{CC}$  = 3.02V to 5.5V for the MAX690S/MAX704S/MAX80\_S,  $V_{CC}$  = 2.72V to 5.5V for the MAX690R/MAX704R/MAX80\_R;  $V_{BATT}$  = 3.6V;  $T_A$  =  $T_{MIN}$  to  $T_{MAX}$ ; unless otherwise noted. Typical values are at  $T_A$  = +25°C.)

| PARAMETER  | SYMBOL    | CONDITIONS   | MIN                       | TYP                | MAX   | UNITS   |   |
|--|-----------|--|---------------------------|--------------------|-------|---------|---|
| $V_{OUT}$ in Battery-Backup Mode   |           | $I_{OUT}$ = 250 $\mu$ A, $V_{BATT}$ = 2.3V   | $V_{BATT}$ - 0.1          | $V_{BATT}$ - 0.034 |       | V       |   |
|  |           | $I_{OUT}$ = 1mA, $V_{BATT}$ = 2.3V   |                           | $V_{BATT}$ - 0.14  |       |         |   |
| Battery Switch Threshold, $V_{CC}$ Falling                                 |           | $V_{BATT}$ - $V_{CC}$ , $V_{SW}$ > $V_{CC}$ > 1.75V (Note 5)   | 65                        | 25                 |       | mV      |   |
|  | $V_{SW}$  | $V_{BATT}$ > $V_{CC}$ (Note 6)   | 2.30                      | 2.40               | 2.50  | V       |   |
| Battery Switch Threshold, $V_{CC}$ Rising (Note 7)                         |           | This value is identical to the reset threshold, $V_{CC}$ rising  |                           |                    |       | V       |   |
| Reset Threshold (Note 8)   | $V_{RST}$ | MAX690T/704T/805T  | $V_{CC}$ falling          | 3.00               | 3.075 | 3.15    | V |
|  |           |  | $V_{CC}$ rising           | 3.00               | 3.085 | 3.17    |   |
|  |           | MAX802T/804T/806T  | $V_{CC}$ falling          | 3.00               | 3.075 | 3.12    |   |
|  |           |  | $V_{CC}$ rising           | 3.00               | 3.085 | 3.14    |   |
|  |           | MAX690S/704S/805S  | $V_{CC}$ falling          | 2.85               | 2.925 | 3.00    |   |
|  |           |  | $V_{CC}$ rising           | 2.85               | 2.935 | 3.02    |   |
|  |           | MAX802S/804S/806S  | $V_{CC}$ falling          | 2.88               | 2.925 | 3.00    |   |
|  |           |  | $V_{CC}$ rising           | 2.88               | 2.935 | 3.02    |   |
|  |           | MAX690R/704R/805R  | $V_{CC}$ falling          | 2.55               | 2.625 | 2.70    |   |
|  |           |  | $V_{CC}$ rising           | 2.55               | 2.635 | 2.72    |   |
|  |           | MAX802R/804R/806S  | $V_{CC}$ falling          | 2.59               | 2.625 | 2.70    |   |
|  |           |  | $V_{CC}$ rising           | 2.59               | 2.635 | 2.72    |   |
| Reset Timeout Period   | $t_{WP}$  | $V_{CC}$ < 3.6V  | 140                       | 200                | 280   | ms      |   |
| $\overline{PFO}$ , $\overline{RESET}$ Output Voltage                       | $V_{OH}$  | $I_{SOURCE}$ = 50 $\mu$ A  | $V_{CC}$ - 0.3            | $V_{CC}$ - 0.05    |       | V       |   |
| $\overline{PFO}$ , $\overline{RESET}$ Output Short to GND Current (Note 4) | $I_{OS}$  | $V_{CC}$ = 3.3V, $V_{OH}$ = 0V   |                           | 180                | 500   | $\mu$ V |   |
| $\overline{PFO}$ , $\overline{RESET}$ , $\overline{RESET}$ Output Voltage  | $V_{OL}$  | $I_{SINK}$ = 1.2mA;<br>MAX690_/704_/802_/806_, $V_{CC}$ = $V_{RST}$ min;<br>MAX804_/805_, $V_{CC}$ = $V_{RST}$ max |                           | 0.06               | 0.3   | V       |   |
| $\overline{PFO}$ , $\overline{RESET}$ Output Voltage                       | $V_{OL}$  | $V_{BATT}$ = 0V, $V_{CC}$ = 1.0V, $I_{SINK}$ = 40 $\mu$ A,<br>MAX690_C, MAX704_C, MAX80_C                          |                           | 0.13               | 0.3   | V       |   |
|  |           | $V_{BATT}$ = 0V, $V_{CC}$ = 1.2V, $I_{SINK}$ = 200 $\mu$ A,<br>MAX690_E/M, MAX704_E/M, MAX80_E/M                   |                           | 0.17               | 0.3   |         |   |
| RESET Output Leakage Current (Note 9)                                      |           | $V_{BATT}$ = 0V,<br>$V_{CC}$ = $V_{RST}$ min;<br>$V_{RESET}$ = 0V, $V_{CC}$  | MAX804_C,<br>MAX805_C     | -1                 | +1    | $\mu$ A |   |
|  |           |  | MAX804_E/M,<br>MAX805_E/M | -10                | +10   |         |   |

### Electrical Characteristics (continued)

( $V_{CC}$  = 3.17V to 5.5V for the MAX690T/MAX704T/MAX80\_T,  $V_{CC}$  = 3.02V to 5.5V for the MAX690S/MAX704S/MAX80\_S,  $V_{CC}$  = 2.72V to 5.5V for the MAX690R/MAX704R/MAX80\_R;  $V_{BATT}$  = 3.6V;  $T_A$  =  $T_{MIN}$  to  $T_{MAX}$ ; unless otherwise noted. Typical values are at  $T_A$  = +25C.)

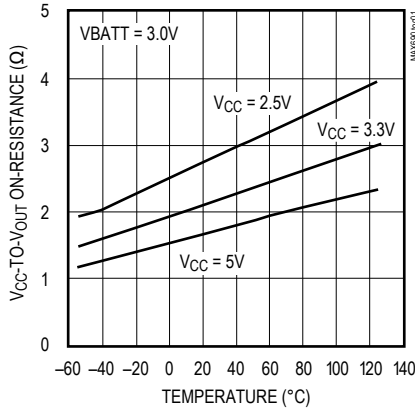
| PARAMETER                       | SYMBOL    | CONDITIONS   | MIN   | TYP   | MAX   | UNITS   |         |
|---------------------------------|-----------|--|---|-------|-------|---------|---------|
| PFI Input Threshold             | $V_{PFT}$ | $V_{CC} < 3.6V$<br>$V_{PFI}$ falling                       | MAX802_C/E, MAX804_C/E,<br>MAX806_C/E             | 1.212 | 1.237 | 1.262   | V       |
|                                 |           | MAX690_/MAX704_/MAX805_                                    | 1.187   | 1.237 | 1.287 |         |         |
| PFI Input Current               |           | MAX690_C/E, MAX704_C/E, MAX80__C/E                         | -25   | 2     | 25    | nA      |         |
|                                 |           | MAX690_M, MAX704_M, MAX80__M                               | -500  | 2     | 500   |         |         |
| PFI Hysteresis, PFI Rising      | $V_{PFH}$ | $V_{CC} < 3.6V$  | MAX690_C/E, MAX704_C/E,<br>MAX80__C/E             | 10    | 20    | mV      |         |
|                                 |           |  | MAX690_M, MAX704_M,<br>MAX80__M                   | 10    | 25    |         |         |
| PFI Input Current               |           | MAX690_C/E, MAX704_C/E, MAX80__C/E                         | -25   | 2     | 25    | nA      |         |
|                                 |           | MAX690_M, MAX704_M, MAX80__M                               | -500  | 2     | 500   |         |         |
| $\overline{MR}$ Input Threshold | $V_{IH}$  | MAX704_/MAX806_ only                                       | 0.7 x $V_{CC}$                                    |       |       | V       |         |
|                                 | $V_{IL}$  |  | 0.3 x $V_{CC}$                                    |       |       |         |         |
| $\overline{MR}$ Pulse Width     | $t_{MR}$  | MAX704_/MAX806_ only                                       | 100   | 20    |       | ns      |         |
| $\overline{MR}$ to Reset Delay  | $t_{MD}$  | MAX704_/MAX806_ only                                       |   | 60    | 500   | ns      |         |
| $\overline{MR}$ Pull-Up Current |           | MAX704_/MAX806_ only, $\overline{MR} = 0V$ , $V_{CC} = 3V$ | 20  | 60    | 350   | $\mu A$ |         |
| WDI Input Threshold             | $V_{IH}$  | MAX690_/MAX802_/MAX804_/MAX805_ only                       | 0.7 x $V_{CC}$                                    |       |       | V       |         |
|                                 | $V_{IL}$  |  | 0.3 x $V_{CC}$                                    |       |       |         |         |
| WDI Input Current               |           | $0V < V_{CC} < 5.5V$                                       | MAX690_C/E, MAX802_C/E,<br>MAX804_C/E, MAX805_C/E | -1    | +0.01 | +1      | $\mu A$ |
|                                 |           |  | MAX690_M, MAX802_M,<br>MAX804_M, MAX805_M         | -10   | +0.01 | +10     |         |
| Watchdog Timeout Period         | $t_{WD}$  | $V_{CC} < 3.6V$  | MAX690/MAX802/MAX804/<br>MAX805 only              | 1.12  | 1.60  | 2.24    | s       |
| WDI Pulse Width                 |           | MAX690_/MAX802_/MAX804_/MAX805_ only                       | 100   | 20    |       | ns      |         |

- Note 1:**  $V_{CC}$  supply current, logic input leakage, watchdog functionality (MAX690\_/802\_/805\_/804\_),  $\overline{MR}$  functionality (MAX704\_/806\_), PFI functionality, state of  $\overline{RESET}$  (MAX690\_/704\_/802\_/806\_), and  $\overline{RESET}$  (MAX804\_/805\_) tested at  $V_{BATT} = 3.6V$ , and  $V_{CC} = 5.5V$ . The state of  $\overline{RESET}$  or  $\overline{RESET}$  and  $\overline{PFO}$  is tested at  $V_{CC} = V_{CC}$  min.
- Note 2:** Tested at  $V_{BATT} = 3.6V$ ,  $V_{CC} = 3.5V$  and  $0V$ . The battery current will rise to  $10\mu A$  over a narrow transition window around  $V_{CC} = 1.9V$ .
- Note 3:** Leakage current into the battery is tested under the worst-case conditions at  $V_{CC} = 5.5V$ ,  $V_{BATT} = 1.8V$  and at  $V_{CC} = 1.5V$ ,  $V_{BATT} = 1.0V$ .
- Note 4:** Guaranteed by design.
- Note 5:** When  $V_{SW} > V_{CC} > V_{BATT}$ ,  $V_{OUT}$  remains connected to  $V_{CC}$  until  $V_{CC}$  drops below  $V_{BATT}$ . The  $V_{CC}$ -to- $V_{BATT}$  comparator has a small 25mV typical hysteresis to prevent oscillation. For  $V_{CC} < 1.75V$  (typ),  $V_{OUT}$  switches to  $V_{BATT}$  regardless of the voltage on  $V_{BATT}$ .
- Note 6:** When  $V_{BATT} > V_{CC} > V_{SW}$ ,  $V_{OUT}$  remains connected to  $V_{CC}$  until  $V_{CC}$  drops below the battery switch threshold ( $V_{SW}$ ).
- Note 7:**  $V_{OUT}$  switches from  $V_{BATT}$  to  $V_{CC}$  when  $V_{CC}$  rises above the reset threshold, independent of  $V_{BATT}$ . Switchover back to  $V_{CC}$  occurs at the exact voltage that causes  $\overline{RESET}$  to go high (on the MAX804\_/805\_,  $\overline{RESET}$  goes low); however switchover occurs 200ms prior to reset.
- Note 8:** The reset threshold tolerance is wider for  $V_{CC}$  rising than for  $V_{CC}$  falling to accommodate the 10mV typical hysteresis, which prevents internal oscillation.
- Note 9:** The leakage current into or out of the  $\overline{RESET}$  pin is tested with  $\overline{RESET}$  asserted ( $\overline{RESET}$  output high impedance).

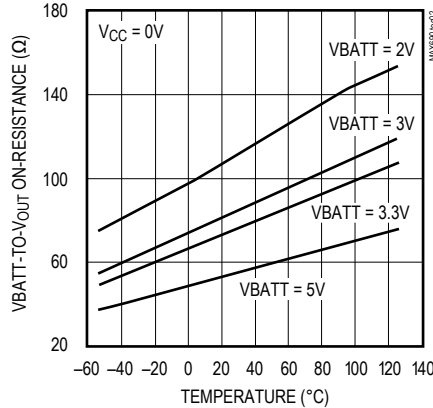
Typical Operating Characteristics

(TA = +25°C, unless otherwise noted.)

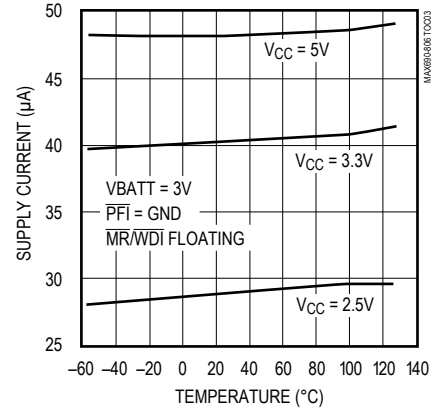
VCC-TO-VOUT ON-RESISTANCE vs. TEMPERATURE



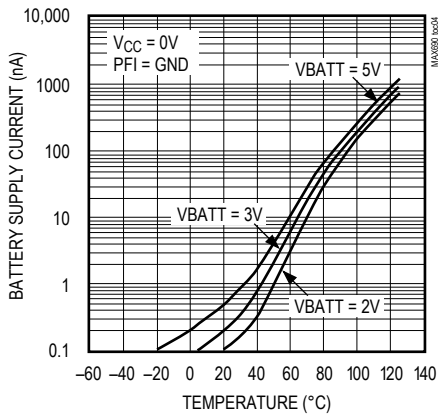
VBATT-TO-VOUT ON-RESISTANCE vs. TEMPERATURE



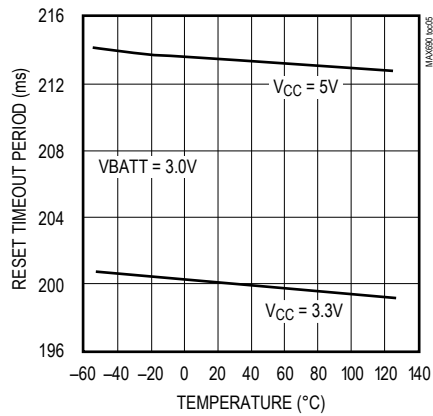
SUPPLY CURRENT vs. TEMPERATURE



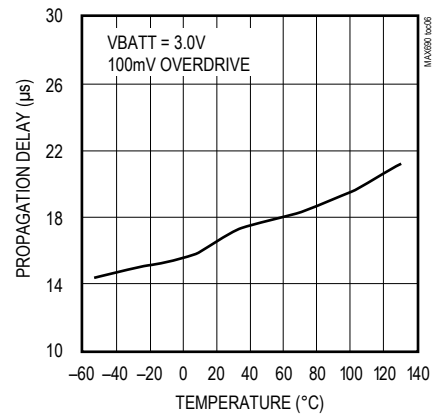
BATTERY SUPPLY CURRENT vs. TEMPERATURE



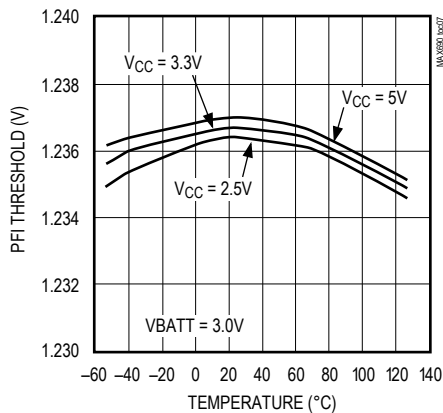
RESET TIMEOUT PERIOD vs. TEMPERATURE



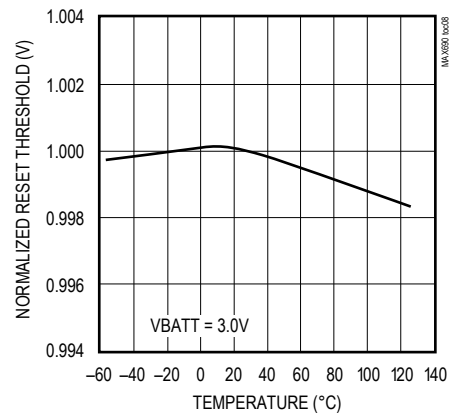
RESET-COMPARATOR PROPAGATION DELAY vs. TEMPERATURE



PFI THRESHOLD vs. TEMPERATURE



NORMALIZED RESET THRESHOLD vs. TEMPERATURE



## Pin Description

| PIN              |                  |                  | NAME             | FUNCTION   |
|------------------|------------------|------------------|------------------|--|
| MAX690<br>MAX802 | MAX704<br>MAX806 | MAX804<br>MAX805 |                  |  |
| 1                | 1                | 1                | V <sub>OUT</sub> | Supply Output for CMOS RAM. When V <sub>CC</sub> is above the reset threshold, V <sub>OUT</sub> is connected to V <sub>CC</sub> through a p-channel MOSFET switch. When V <sub>CC</sub> falls below V <sub>SW</sub> and VBATT, VBATT connects to V <sub>OUT</sub> . Connect to V <sub>CC</sub> if no battery is used.                  |
| 2                | 2                | 2                | V <sub>CC</sub>  | Main Supply Input  |
| 3                | 3                | 3                | GND              | Ground   |
| 4                | 4                | 4                | PFI              | Power-Fail Input. When PFI is less than V <sub>PFT</sub> or when V <sub>CC</sub> falls below V <sub>SW</sub> , PFO goes low; otherwise, PFO remains high. Connect to ground if unused.   |
| 5                | 5                | 5                | PFO              | Power-Fail Output. When PFI is less than V <sub>PFT</sub> , or V <sub>CC</sub> falls below V <sub>SW</sub> , PFO goes low; otherwise, PFO remains high. Leave open if unused.  |
| 6                | —                | 6                | WDI              | Watchdog Input. If WDI remains high or low for 1.6s, the internal watchdog timer runs out and reset is triggered. The internal watchdog timer clears while reset is asserted or when WDI sees a rising or falling edge. The watchdog function cannot be disabled.  |
| —                | 6                | —                | MR               | Manual Reset Input. A logic low on MR asserts reset. Reset remains asserted as long as MR is low and for 200ms after MR returns high. This active-low input has an internal 70μA pullup current. It can be driven from a TTL or CMOS logic line, or shorted to ground with a switch. Leave open if unused.                             |
| 7                | 7                | —                | RESET            | Active-Low Reset Output. Pulses low for 200ms when triggered, and stays low whenever V <sub>CC</sub> is below the reset threshold or when MR is a logic low. It remains low for 200ms after either V <sub>CC</sub> rises above the reset threshold, the watchdog triggers a reset, or MR goes from low to high.                        |
| —                | —                | 7                | RESET            | Active-High, Open-Drain Reset Output is the inverse of RESET.  |
| 8                | 8                | 8                | VBATT            | Backup-Battery Input. When V <sub>CC</sub> falls below V <sub>SW</sub> and VBATT, V <sub>OUT</sub> switches from V <sub>CC</sub> to VBATT. When V <sub>CC</sub> rises above the reset threshold, V <sub>OUT</sub> reconnects to V <sub>CC</sub> . VBATT may exceed V <sub>CC</sub> . Connect to V <sub>CC</sub> if no battery is used. |

## Detailed Description

### Reset Output

A microprocessor's (μP's) reset input starts the μP in a known state. These μP supervisory circuits assert reset to prevent code execution errors during power-up, power-down, brownout conditions, or a watchdog timeout.

RESET is guaranteed to be a logic low for  $0V < V_{CC} < V_{RST}$ , provided that VBATT is greater than 1V. Without a backup battery, RESET is guaranteed valid for  $V_{CC} > 1V$ . Once V<sub>CC</sub> exceeds the reset threshold, an internal timer keeps RESET low for the reset timeout period; after this interval, RESET goes high (Figure 2).

If a brownout condition occurs (V<sub>CC</sub> dips below the reset threshold), RESET goes low. Each time RESET is asserted, it stays low for the reset timeout period. Any time V<sub>CC</sub> goes below the reset threshold, the internal timer restarts.

The watchdog timer can also initiate a reset. See the *Watchdog Input* section.

The MAX804\_/MAX805\_ active-high RESET output is open drain, and the inverse of the MAX690\_/MAX704\_/MAX802\_/MAX806\_ RESET output.

### Reset Threshold

The MAX690T/MAX704T/MAX805T are intended for 3.3V systems with a ±5% power-supply tolerance and a 10% system tolerance. Except for watchdog faults, reset will not assert as long as the power supply remains above 3.15V (3.3V - 5%). Reset is guaranteed to assert before the power supply falls below 3.0V.

The MAX690S/MAX704S/MAX805S are designed for 3.3V ±10% power supplies. Except for watchdog faults, they are guaranteed not to assert reset as long as the supply remains above 3.0V (3.3V - 10%). Reset is guaranteed to assert before the power supply falls below 2.85V (V<sub>CC</sub> - 14%).

The MAX690R/MAX704R/MAX805R are optimized for monitoring 3.0V ±10% power supplies. Reset will not occur until V<sub>CC</sub> falls below 2.7V (3.0V - 10%), but is guaranteed to occur before the supply falls below 2.59V (3.0V - 14%).

The MAX802R/S/T, MAX804R/S/T, and MAX806R/S/T are respectively similar to the MAX690R/S/T, MAX805R/S/T, and MAX704R/S/T, but with tightened reset and power-fail threshold tolerances.

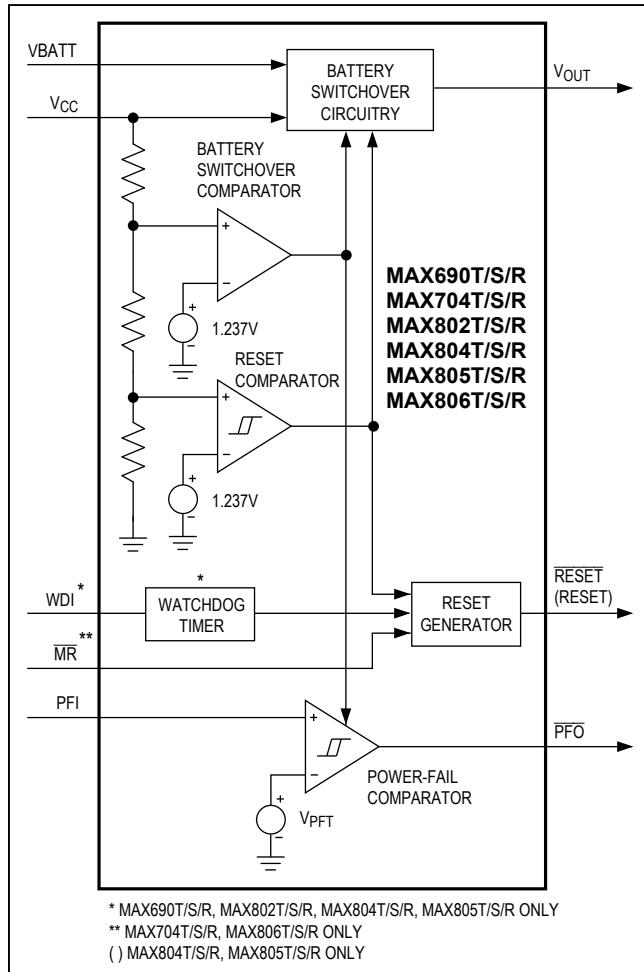


Figure 1. Block Diagram

### Watchdog Input (MAX690\_/802\_/804\_/805\_)

The watchdog circuit monitors the  $\mu\text{P}$ 's activity. If the  $\mu\text{P}$  does not toggle the watchdog input (WDI) within 1.6sec, a reset pulse is triggered. The internal 1.6sec timer is cleared by either a reset pulse or by a transition (low-to-high or high-to-low) at WDI. If WDI is tied high or low, a  $\overline{\text{RESET}}$  pulse is triggered every 1.8sec ( $t_{\text{WD}}$  plus  $t_{\text{RS}}$ ).

As long as reset is asserted, the timer remains cleared and does not count. As soon as reset is deasserted, the timer starts counting. Unlike the 5V MAX690 family, the watchdog function **cannot** be disabled.

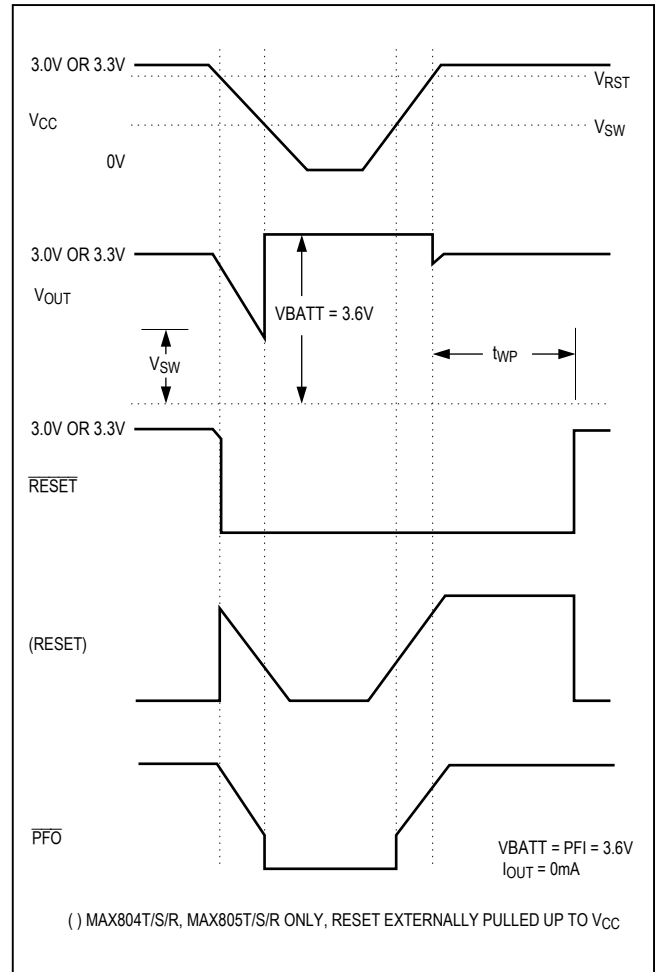


Figure 2. Timing Diagram

### Power-Fail Comparator

The PFI input is compared to an internal reference. If PFI is less than  $V_{\text{PFT}}$ ,  $\overline{\text{PFO}}$  goes low. The power-fail comparator is intended for use as an undervoltage detector to signal a failing power supply. However, the comparator does not need to be dedicated to this function because it is completely separate from the rest of the circuitry.

The power-fail comparator turns off and  $\overline{\text{PFO}}$  goes low when  $V_{\text{CC}}$  falls below  $V_{\text{SW}}$  on power-down. The power-fail comparator turns on as  $V_{\text{CC}}$  crosses  $V_{\text{SW}}$  on power-up. If the comparator is not used, connect PFI to ground and leave  $\overline{\text{PFO}}$  unconnected.  $\overline{\text{PFO}}$  can be connected to  $\overline{\text{MR}}$  on the MAX704\_/MAX806\_ so that a low voltage on PFI will generate a reset (Figure 5b).



### Backup-Battery Switchover

In the event of a brownout or power failure, it may be necessary to preserve the contents of RAM. With a backup battery installed at VBATT, the devices automatically switch RAM to backup power when V<sub>CC</sub> falls.

This family of μP supervisors (designed for 3.3V and 3V systems) doesn't always connect VBATT to V<sub>OUT</sub> when VBATT is greater than V<sub>CC</sub>. VBATT connects to V<sub>OUT</sub> (through a 140Ω switch) when V<sub>CC</sub> is below V<sub>SW</sub> and VBATT is greater than V<sub>CC</sub>, or when V<sub>CC</sub> falls below 1.75V (typ) regardless of the VBATT voltage. This is done to allow the backup battery (e.g., a 3.6V lithium cell) to have a higher voltage than V<sub>CC</sub>.

Switchover at V<sub>SW</sub> (2.40V) ensures that battery-backup mode is entered before V<sub>OUT</sub> gets too close to the 2.0V minimum required to reliably retain data in CMOS RAM. Switchover at higher V<sub>CC</sub> voltages would decrease backup-battery life. When V<sub>CC</sub> recovers, switchover is deferred until V<sub>CC</sub> rises above the reset threshold (V<sub>RST</sub>) to ensure a stable supply. V<sub>OUT</sub> is connected to V<sub>CC</sub> through a 3Ω PMOS power switch.

### Manual Reset

A logic low on  $\overline{MR}$  asserts reset. Reset remains asserted while  $\overline{MR}$  is low, and for t<sub>WUP</sub> (200ms) after  $\overline{MR}$  returns high. This input has an internal 70μA pullup current, so it can be left open if it is not used.  $\overline{MR}$  can be driven with TTL or CMOS logic levels, or with open-drain/collector outputs. Connect a normally open momentary switch from  $\overline{MR}$  to GND to create a manual-reset function; external debounce circuitry is not required.

**Table 1. Input and Output Status in Battery-Backup Mode**

| PIN NAME           | STATUS   |
|--------------------|--|
| V <sub>OUT</sub>   | Connected to VBATT through an internal 140Ω switch                           |
| V <sub>CC</sub>    | Disconnected from V <sub>OUT</sub>   |
| PFI                | The power-fail comparator is disabled when V <sub>CC</sub> < V <sub>SW</sub> |
| $\overline{PFO}$   | Logic low when V <sub>CC</sub> < V <sub>SW</sub> or PFI < V <sub>PFT</sub>   |
| WDI                | The watchdog timer is disabled   |
| $\overline{MR}$    | Disabled   |
| $\overline{RESET}$ | Low logic  |
| RESET              | High impedance   |
| VBATT              | Connected to V <sub>OUT</sub>  |

### Applications Information

These μP supervisory circuits are not short-circuit protected. Shorting V<sub>OUT</sub> to ground—excluding power-up transients such as charging a decoupling capacitor—destroys the device. Decouple both V<sub>CC</sub> and VBATT pins to ground by placing 0.1μF capacitors as close as possible to the device.

### Using a SuperCap as a Backup Power Source

SuperCaps are capacitors with extremely high capacitance values (e.g., order of 0.47F) for their size. Figure 3 shows two ways to use a SuperCap as a backup power source. The SuperCap may be connected through a diode to the 3V input (Figure 3a) or, if a 5V supply is also available, the SuperCap may be charged up to the 5V supply (Figure 3b) allowing a longer backup period. Since VBATT can exceed V<sub>CC</sub> while V<sub>CC</sub> is above the reset threshold, there are no special precautions when using these μP supervisors with a SuperCap.

### Operation without a Backup Power Source

These μP supervisors were designed for battery-backed applications. If a backup battery is not used, connect both VBATT and V<sub>OUT</sub> to V<sub>CC</sub>, or use a different μP supervisor such as the MAX706T/S/R or MAX708T/S/R.

### Replacing the Backup Battery

The backup power source can be removed while V<sub>CC</sub> remains valid, if VBATT is decoupled with a 0.1μF capacitor to ground, without danger of triggering  $\overline{RESET}$ / $\overline{RESE}$ . As long as V<sub>CC</sub> stays above V<sub>SW</sub>, battery-back-up mode cannot be entered.

### Adding Hysteresis to the Power-Fail Comparator

The power-fail comparator has a typical input hysteresis of 10mV. This is sufficient for most applications where a power-supply line is being monitored through an external voltage divider (see the *Monitoring an Additional Power Supply* section).

If additional noise margin is desired, connect a resistor between  $\overline{PFO}$  and PFI as shown in Figure 4a. Select the ratio of R1 and R2 such that PFI sees 1.237V (V<sub>PFT</sub>) when V<sub>IN</sub> falls to its trip point (V<sub>TRIP</sub>). R3 adds the hysteresis and will typically be more than 10 times the value of R1 or R2. The hysteresis window extends both above (V<sub>H</sub>) and below (V<sub>L</sub>) the original trip point (V<sub>TRIP</sub>).

Connecting an ordinary signal diode in series with R3, as shown in Figure 4b, causes the lower trip point (V<sub>L</sub>) to



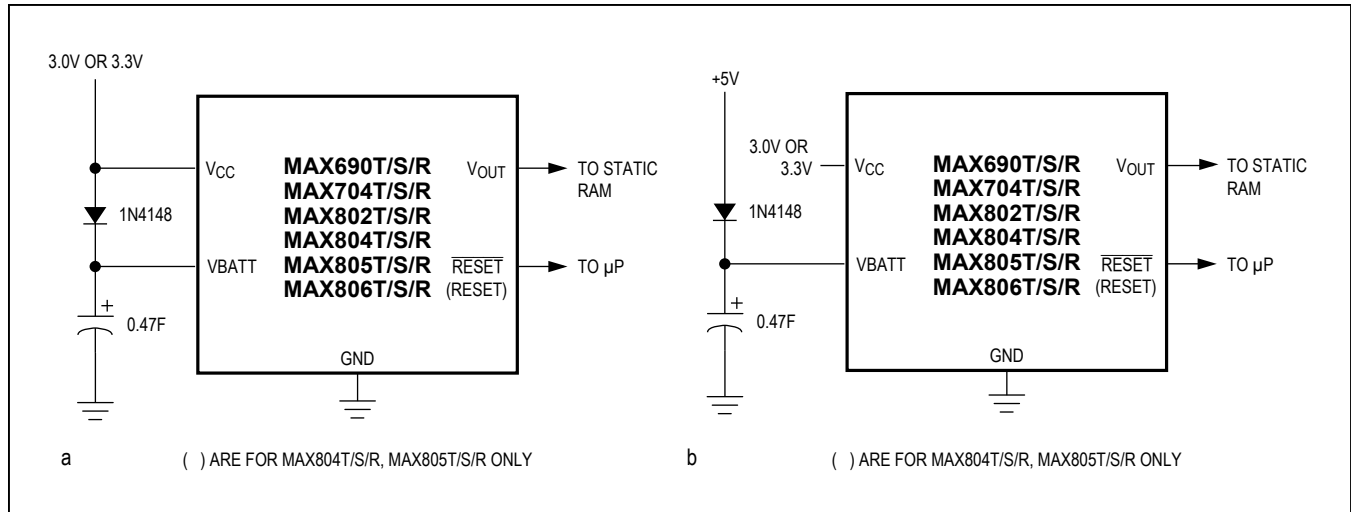


Figure 3. Using a SuperCap as a Backup Power Source

coincide with the trip point without hysteresis ( $V_{TRIP}$ ), so the entire hysteresis window occurs above  $V_{TRIP}$ . This method provides additional noise margin without compromising the accuracy of the power-fail threshold when the monitored voltage is falling. It is useful for accurately detecting when a voltage falls past a threshold.

The current through R1 and R2 should be at least  $1\mu A$  to ensure that the  $25nA$  (max over extended temperature range) PFI input current does not shift the trip point. R3 should be larger than  $10k\Omega$  so it does not load down the  $\overline{PFO}$  pin. Capacitor C1 adds additional noise rejection.

### Monitoring an Additional Power Supply

These  $\mu P$  supervisors can monitor either positive or negative supplies using a resistor voltage divider to PFI.  $\overline{PFO}$  can be used to generate an interrupt to the  $\mu P$  (Figure 5). Connecting  $\overline{PFO}$  to  $\overline{MR}$  on the MAX704 and MAX806 causes reset to assert when the monitored supply goes out of tolerance. Reset remains asserted as long as  $\overline{PFO}$  holds  $\overline{MR}$  low, and for 200ms after  $\overline{PFO}$  goes high.

### Interfacing to $\mu P$ s with Bidirectional Reset Pins

$\mu P$ s with bidirectional reset pins, such as the Motorola 68HC11 series, can contend with the MAX690\_/MAX704\_/MAX802\_/MAX806\_  $\overline{RESET}$  output. If, for example, the  $\overline{RESET}$  output is driven high and the  $\mu P$  wants to pull it low, indeterminate logic levels may result. To correct this, connect a  $4.7k\Omega$  resistor between the  $\overline{RESET}$  output and the  $\mu P$  reset I/O, as in Figure 6. Buffer the  $\overline{RESET}$  output to other system components.

### Negative-Going $V_{CC}$ Transients

While issuing resets to the  $\mu P$  during power-up, power-down, and brownout conditions, these supervisors are relatively immune to short-duration negative-going  $V_{CC}$  transients (glitches). It is usually undesirable to reset the  $\mu P$  when  $V_{CC}$  experiences only small glitches.

Figure 7 shows maximum transient duration vs. reset-comparator overdrive, for which reset pulses are **not** generated. The graph was produced using negative-going  $V_{CC}$  pulses, starting at 3.3V and ending below the reset threshold by the magnitude indicated (reset comparator overdrive). The graph shows the maximum pulse width a negative-going  $V_{CC}$  transient may typically have without causing a reset pulse to be issued. As the amplitude of the transient increases (i.e., goes farther below the reset threshold), the maximum allowable pulse width decreases. Typically, a  $V_{CC}$  transient that goes 100mV below the reset threshold and lasts for 40 $\mu s$  or less will not cause a reset pulse to be issued.

A 100nF bypass capacitor mounted close to the  $V_{CC}$  pin provides additional transient immunity.

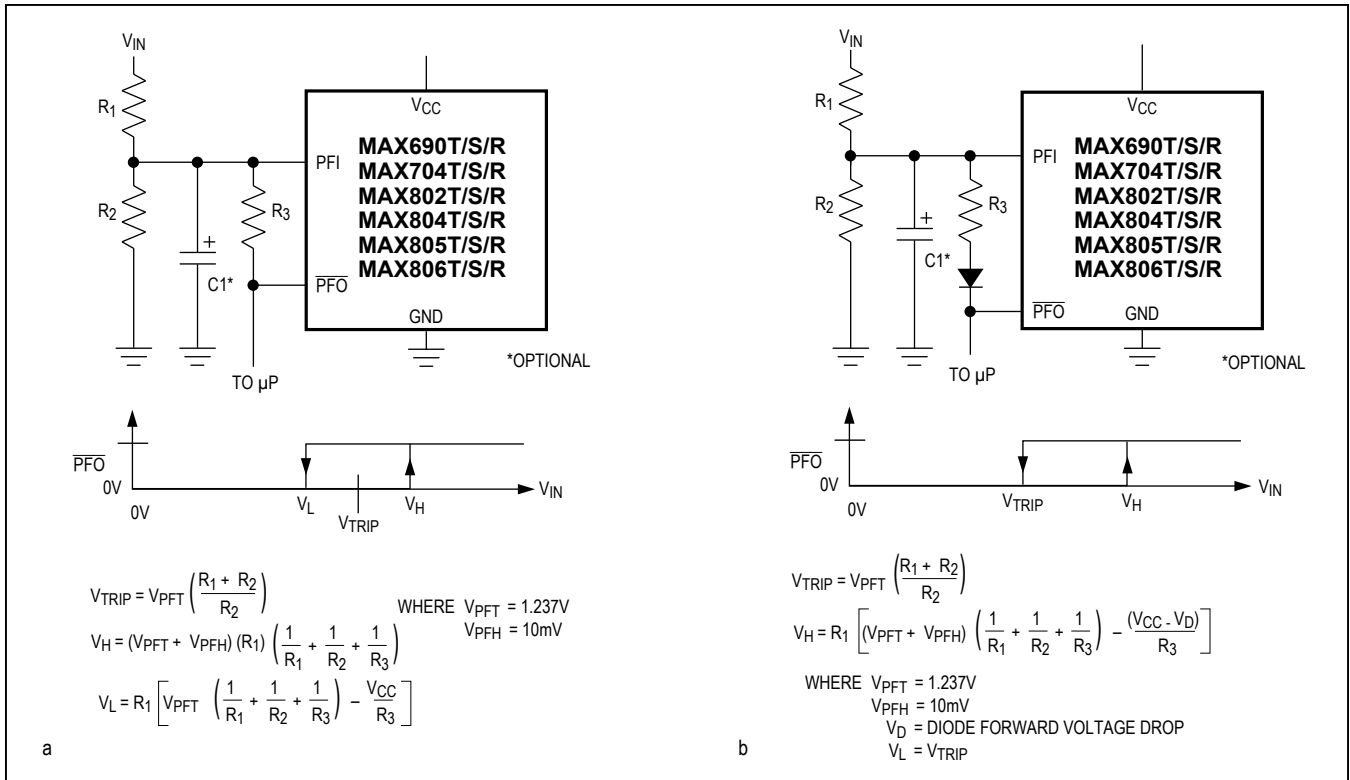


Figure 4. a) Adding Additional Hysteresis to the Power-Fail Comparator b) Shifting the Additional Hysteresis above  $V_{PFT}$

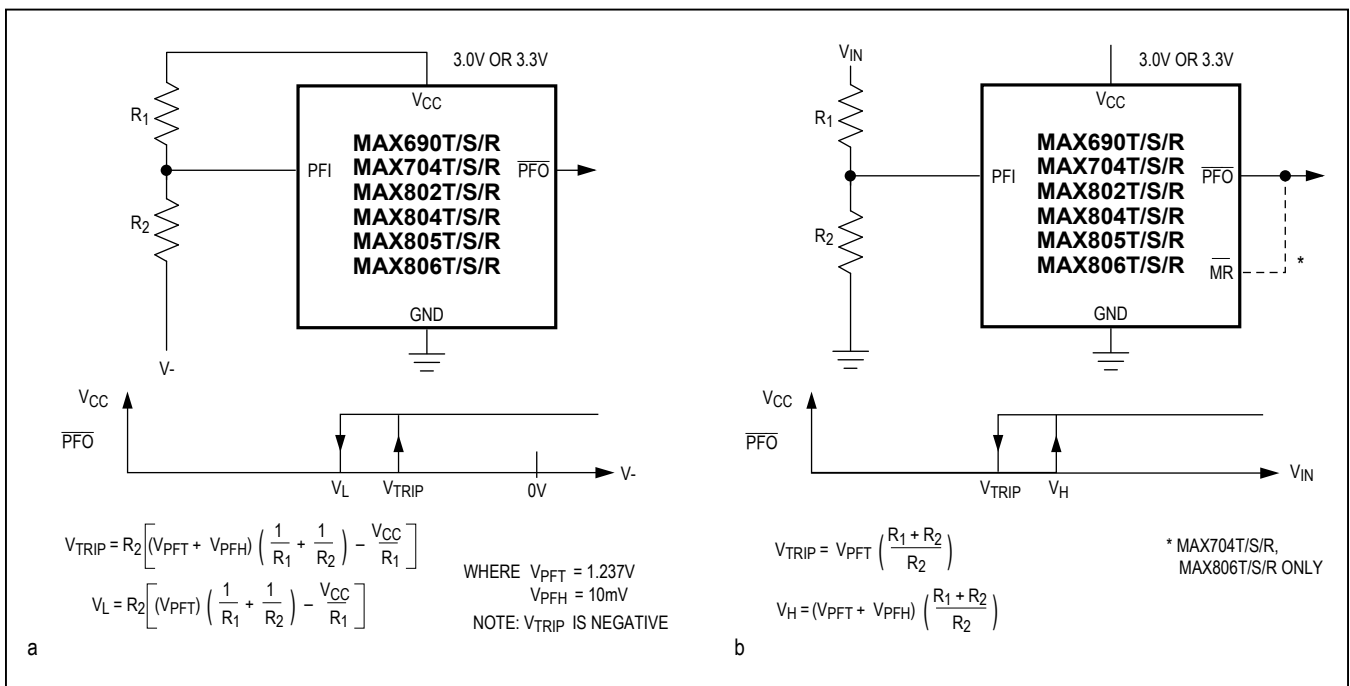


Figure 5. Using the Power-Fail Comparator to Monitor an Additional Power Supply

MAX690T/S/R, MAX704T/S/R,  
MAX802T/S/R, MAX804-MAX806T/S/R

3.0V/3.3V Microprocessor  
Supervisory Circuits

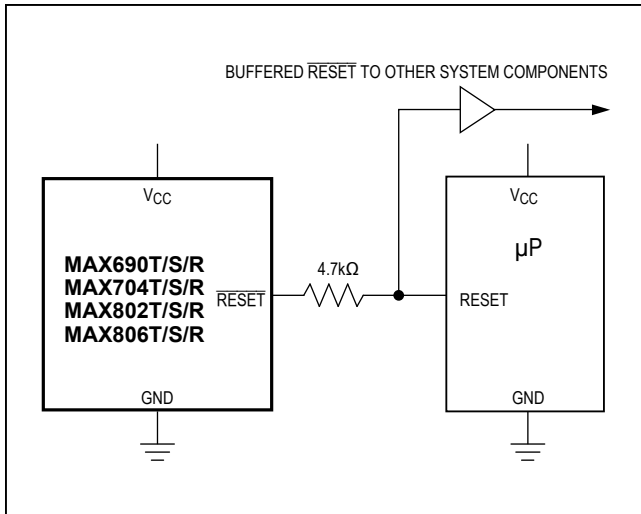
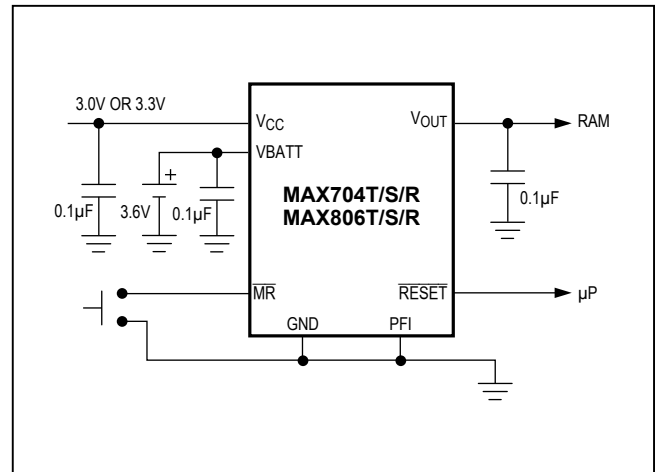


Figure 6. Interfacing to  $\mu$ Ps with Bidirectional Reset I/O

Typical Operating Circuits (continued)



Chip Topography

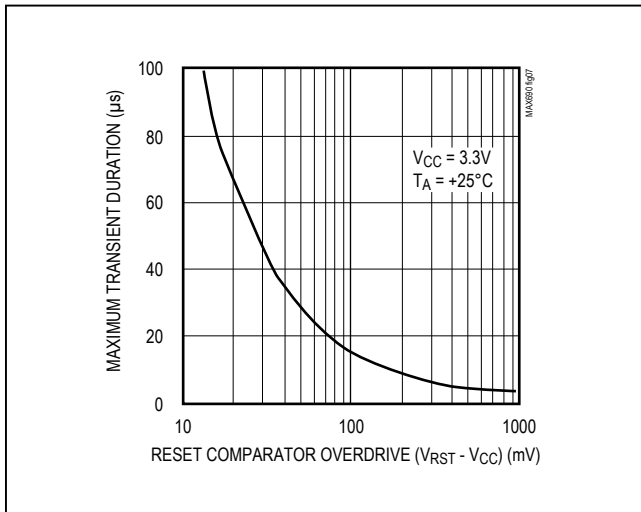
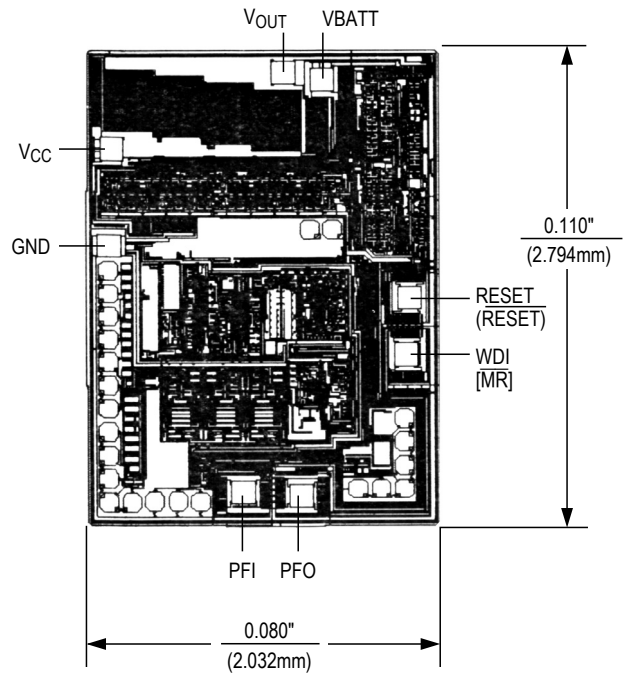


Figure 7. Maximum Transient Duration without Causing a Reset Pulse vs. Reset Comparator Overdrive



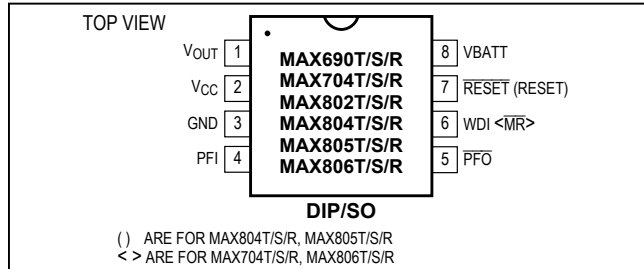
Chip Information

TRANSISTOR COUNT: 802;

SUBSTRATE IS CONNECTED TO THE HIGHER OF  $V_{CC}$  OR  $V_{BATT}$ , AND MUST BE FLOATED IN ANY HYBRID DESIGN.

( ) ARE FOR MAX804T/S/R, MAX805T/S/R.  
[ ] ARE FOR MAX704T/S/R, MAX806T/S/R.

### Pin Configuration



### Package Information

For the latest package outline information and land patterns, go to [www.maximintegrated.com/packages](http://www.maximintegrated.com/packages). Note that a “+”, “#”, or “-” in the package code indicates RoHS status only. Package drawings may show a different suffix character, but the drawing pertains to the package regardless of RoHS status.

| PACKAGE TYPE | PACKAGE e CODE | OUTLINE NO.             | LAND PATTERN NO.        |
|--------------|----------------|-------------------------|-------------------------|
| 8 PDIP       | P8+2           | <a href="#">21-0043</a> | —                       |
| 8 CDIP       | J8+2           | <a href="#">21-0045</a> | —                       |
| 8 SOIC       | S8+4           | <a href="#">21-0041</a> | <a href="#">90-0096</a> |

### Ordering Information (continued)

| PART**     | TEMP RANGE      | PIN-PACKAGE   |
|------------|-----------------|---------------|
| MAX704_CPA | 0°C to +70°C    | 8 Plastic DIP |
| MAX704_CSA | 0°C to +70°C    | 8 SO          |
| MAX704_C/D | 0°C to +70°C    | Dice*         |
| MAX704_EPA | -40°C to +85°C  | 8 Plastic DIP |
| MAX704_ESA | -40°C to +85°C  | 8 SO          |
| MAX704_MJA | -55°C to +125°C | 8 CERDIP      |
| MAX802_CPA | 0°C to +70°C    | 8 Plastic DIP |
| MAX802_CSA | 0°C to +70°C    | 8 SO          |
| MAX802_C/D | 0°C to +70°C    | Dice*         |
| MAX802_EPA | -40°C to +85°C  | 8 Plastic DIP |
| MAX802_ESA | -40°C to +85°C  | 8 SO          |
| MAX802_MJA | -55°C to +125°C | 8 CERDIP      |
| MAX804_CPA | 0°C to +70°C    | 8 Plastic DIP |
| MAX804_CSA | 0°C to +70°C    | 8 SO          |
| MAX804_C/D | 0°C to +70°C    | Dice*         |
| MAX804_EPA | -40°C to +85°C  | 8 Plastic DIP |
| MAX804_ESA | -40°C to +85°C  | 8 SO          |
| MAX804_MJA | -55°C to +125°C | 8 CERDIP      |
| MAX805_CPA | 0°C to +70°C    | 8 Plastic DIP |
| MAX805_CSA | 0°C to +70°C    | 8 SO          |
| MAX805_C/D | 0°C to +70°C    | Dice*         |
| MAX805_EPA | -40°C to +85°C  | 8 Plastic DIP |
| MAX805_ESA | -40°C to +85°C  | 8 SO          |
| MAX805_MJA | -55°C to +125°C | 8 CERDIP      |
| MAX806_CPA | 0°C to +70°C    | 8 Plastic DIP |
| MAX806_CSA | 0°C to +70°C    | 8 SO          |
| MAX806_C/D | 0°C to +70°C    | Dice*         |
| MAX806_EPA | -40°C to +85°C  | 8 Plastic DIP |
| MAX806_ESA | -40°C to +85°C  | 8 SO          |
| MAX806_MJA | -55°C to +125°C | 8 CERDIP      |

\*Contact factory for dice specifications.

\*\*These parts offer a choice of reset threshold voltage. Select the letter corresponding to the desired nominal reset threshold voltage (T = 3.075V, S = 2.925V, R = 2.625V) and insert it into the blank to complete the part number.

Devices in PDIP and SO packages are available in both leaded and lead(Pb)-free packaging. Specify lead free by adding the + symbol at the end of the part number when ordering. Lead free not available for CERDIP package.

MAX690T/S/R, MAX704T/S/R,  
MAX802T/S/R, MAX804–MAX806T/S/R

3.0V/3.3V Microprocessor  
Supervisory Circuits

## Revision History

| REVISION NUMBER | REVISION DATE | DESCRIPTION  | PAGES CHANGED |
|-----------------|---------------|--|---------------|
| 3               | 4/15          | No IV OPNs in <i>Ordering Information</i> ; deleted Automotive Systems in <i>Applications Information</i> section; added <i>Package Information</i> and <i>Revision History</i> tables | 1, 12, 13     |

For pricing, delivery, and ordering information, please contact Maxim Direct at 1-888-629-4642, or visit Maxim Integrated's website at [www.maximintegrated.com](http://www.maximintegrated.com).

Maxim Integrated cannot assume responsibility for use of any circuitry other than circuitry entirely embodied in a Maxim Integrated product. No circuit patent licenses are implied. Maxim Integrated reserves the right to change the circuitry and specifications without notice at any time. The parametric values (min and max limits) shown in the Electrical Characteristics table are guaranteed. Other parametric values quoted in this data sheet are provided for guidance.