

Click [here](#) for production status of specific part numbers.

## MAX77827

## 5.5V Input, 1.8A/3.1A Switch Buck-Boost Converter with 6 $\mu$ A I<sub>Q</sub>

### General Description

The MAX77827 is a high-efficiency buck-boost regulator targeted for one-cell Li-ion powered applications with the lowest typical quiescent current in the industry of 6 $\mu$ A. It supports input voltages of 1.8V to 5.5V and an output voltage range of 2.3V to 5.3V. The IC provides two different switching current levels (1.8A and 3.1A) to optimize external component sizing based on given load current requirements. With the 1.8A switching current-limit option, the IC can support up to 1.0A load current in buck mode and 900mA in boost mode ( $V_{IN} = 3.0V$ ,  $V_{OUT} = 3.3V$ ).

The peak efficiency of 96% makes the IC one of the best solutions as a DC/DC converter to supply a rail for battery-powered portable applications.

The IC features an adjustable output voltage, which can be programmed from 2.3V to 5.3V through a single resistor. Two GPIO pins are available to support force PWM enable function and power-OK (POK) indicator. A unique control algorithm allows high-efficiency, outstanding line/load transient response, and seamless transition between buck and boost modes. These options provide design flexibility that allow the IC to cover a wide range of applications and use cases while minimizing board space.

The MAX77827 is available in a 1.61mm x 2.01mm, 12-bump wafer-level package (WLP).

### Applications

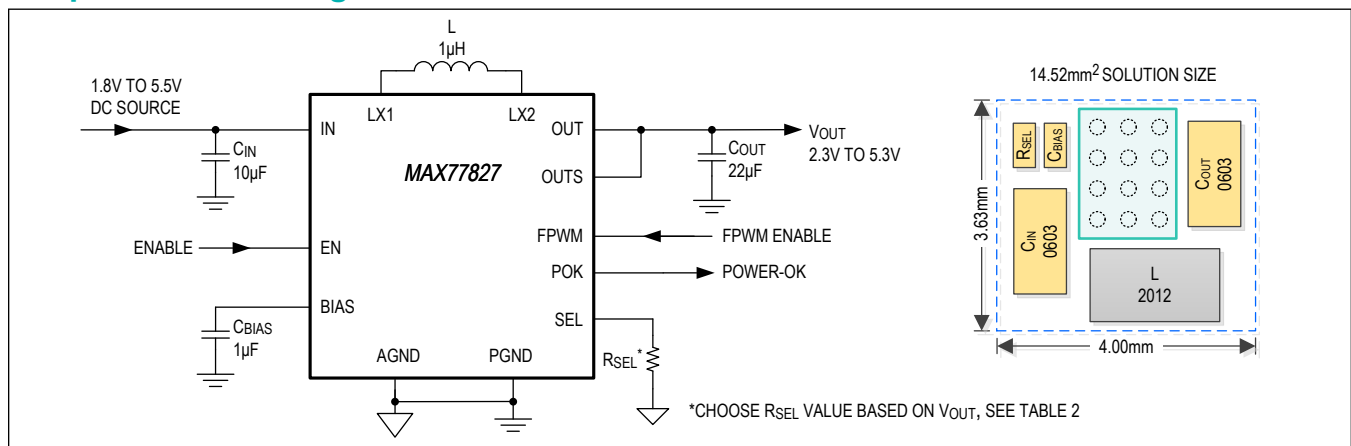
- 1-Cell Li+ Battery Powered Equipment
- Smartphones/Portable/Wearables
- Internet of Things (IoT) Devices
- NB-IoT Devices

### Benefits and Features

- 1.8V to 5.5V Input Voltage Range
- 2.3V to 5.3V Single Resistor Adjustable Output Voltage
- 1.6A Maximum Output Current (3.1A I<sub>LIM</sub> Option, Buck Mode)
- 900mA Maximum Output Current (1.8A I<sub>LIM</sub> Option, Boost Mode 3.0V<sub>IN</sub>, 3.3V<sub>OUT</sub>)
- 96% Peak Efficiency (3.3V<sub>IN</sub>, 3.3V<sub>OUT</sub>)
- SKIP Mode for Higher Light-Load Efficiency
- 6 $\mu$ A Ultra-Low Typical Quiescent Current (At T<sub>J</sub> = +25°C)
- 2.5MHz Nominal Switching Frequency
- Enable Pin
- GPIO Pins for System Design Convenience
  - FPWM (Forced PWM) Mode Selection Pin
  - POK Indicator Pin
- UVLO, Soft-Start, Active-Output Discharge, Overcurrent, and Thermal Shutdown Protections
- 1.61mm x 2.01mm, 12-Bump WLP

**Ordering Information** appears at end of data sheet.

### Simplified Block Diagram



---

**TABLE OF CONTENTS**


---

General Description . . . . .	1
Applications . . . . .	1
Benefits and Features . . . . .	1
Simplified Block Diagram . . . . .	1
Absolute Maximum Ratings . . . . .	6
Package Information . . . . .	6
12 WLP . . . . .	6
12 FC2QFN . . . . .	6
Electrical Characteristics . . . . .	7
Typical Operating Characteristics . . . . .	9
Bump Configuration . . . . .	12
12 WLP . . . . .	12
12 FC2QFN . . . . .	12
Bump Description . . . . .	13
Functional Diagrams . . . . .	14
Function Diagram . . . . .	14
Detailed Description . . . . .	15
Start Up . . . . .	15
Immediate Shutdown Conditions . . . . .	16
Power Down . . . . .	16
Buck-Boost Regulator . . . . .	16
Buck-Boost Control Scheme . . . . .	16
Output Voltage Configuration . . . . .	17
FPWM Mode Enable . . . . .	18
Power-OK (POK) Indicator . . . . .	18
Protection Features . . . . .	18
Undervoltage Lockout (UVLO) . . . . .	18
Soft-Start . . . . .	19
Output Active Discharge . . . . .	19
Overcurrent Protection (OCP) . . . . .	19
Thermal Shutdown . . . . .	19
Applications Information . . . . .	20
Inductor Selection . . . . .	20
Input Capacitor Selection . . . . .	20
Output Capacitor Selection . . . . .	20
PCB Layout Guidelines . . . . .	20
Typical Application Circuits . . . . .	21

**TABLE OF CONTENTS (CONTINUED)**

---

Typical Application Circuit.....	21
Ordering Information.....	22
Revision History.....	23

---

**LIST OF FIGURES**

---

Figure 1. Start-Up Waveform . . . . .	15
Figure 2. Buck-Boost H-Bridge Topology . . . . .	17
Figure 3. Short-Circuit Waveform . . . . .	19
Figure 4. PCB Layout Guideline (For B and D Options) . . . . .	21

---

**LIST OF TABLES**

---

Table 1. I <sub>LIM</sub> Levels . . . . .	16
Table 2. R <sub>SEL</sub> Selection Table . . . . .	17
Table 3. Inductor Recommendations . . . . .	20

### Absolute Maximum Ratings

IN, OUT, BIAS to PGND .....	-0.3V to +6V
PGND to AGND .....	-0.3V to +0.3V
EN, SEL, FPWM, POK to AGND .....	-0.3V to V <sub>BIAS</sub> + 0.3V
FB to AGND .....	-0.3V to V <sub>OUT</sub> + 0.3V
LX1 to PGND .....	-0.3V to +6.0V
LX2 to PGND .....	-0.3V to +6.0V
IN, LX1, LX2, OUT Continuous RMS current .....	1.6A
Operating Junction Temperature Range .....	-40°C to +125°C
Maximum Junction Temperature .....	+150°C

Storage Temperature Range .....	-65°C to +150°C
Soldering Temperature (reflow) .....	+260°C
Continuous Power Dissipation	
WLP Package (T <sub>A</sub> = +70°C, derate 13.73mW/°C above +70°C) .....	1098.4mW
FC2QFN Package (T <sub>A</sub> = +70°C, derate 15.77mW/°C above +70°C) .....	1261.8mW

Stresses beyond those listed under "Absolute Maximum Ratings" may cause permanent damage to the device. These are stress ratings only, and functional operation of the device at these or any other conditions beyond those indicated in the operational sections of the specifications is not implied. Exposure to absolute maximum rating conditions for extended periods may affect device reliability.

### Package Information

#### 12 WLP

Package Code	W121H2+1
Outline Number	<a href="#">21-100302</a>
Land Pattern Number	Refer to <a href="#">Application Note 1891</a>
<b>Thermal Resistance, Four-Layer Board:</b>	
Junction to Ambient (θ <sub>JA</sub> )	72.82 C°/W
Junction to Case (θ <sub>JC</sub> )	N/A

#### 12 FC2QFN

Package Code	F142A2F+1
Outline Number	21-100382A
Land Pattern Number	<a href="#">90-100127</a>
<b>Thermal Resistance, Four-Layer Board:</b>	
Junction to Ambient (θ <sub>JA</sub> )	63.4°C/W
Junction to Case (θ <sub>JC</sub> )	N/A

For the latest package outline information and land patterns (footprints), go to [www.maximintegrated.com/packages](http://www.maximintegrated.com/packages). Note that a "+", "#", or "-" in the package code indicates RoHS status only. Package drawings may show a different suffix character, but the drawing pertains to the package regardless of RoHS status.

Package thermal resistances were obtained using the method described in JEDEC specification JESD51-7, using a four-layer board. For detailed information on package thermal considerations, refer to [www.maximintegrated.com/thermal-tutorial](http://www.maximintegrated.com/thermal-tutorial).

## Electrical Characteristics

(V<sub>IN</sub> = 3.8V, V<sub>OUT</sub> = 3.3V, typicals are at T<sub>A</sub> ≈ T<sub>J</sub> = +25°C. Limits are 100% production tested at T<sub>J</sub> = +25°C. Limits over the operating temperature range (T<sub>J</sub> = -40°C to +125°C) are guaranteed by design and characterization, unless otherwise noted.)

PARAMETER	SYMBOL	CONDITIONS	MIN	TYP	MAX	UNITS
<b>GENERAL</b>						
Input Voltage Range	V <sub>IN</sub>	For D option	1.8		5.5	V
		For B and C options	2.6		5.5	
Shutdown Supply Current	I <sub>SHDN</sub>	EN = Low, T <sub>J</sub> = +25°C		0.1	2	μA
		EN = Low, T <sub>J</sub> = -40°C to +125°C (Note 2)		3	8	
Input Supply Current	I <sub>Q_SKIP</sub>	SKIP mode, no switching		6	14	μA
	I <sub>Q_PWM</sub>	FPWM mode, no load, no switching		2	6	mA
Active Discharge Resistance	R <sub>DISCHG</sub>			100		Ω
Thermal Shutdown	T <sub>SHDN</sub>	Rising, +20°C hysteresis		165		°C
<b>H-BRIDGE</b>						
Output Voltage Range	V <sub>OUT</sub>	External resistor programmable	2.3		5.3	V
Output Voltage Accuracy	V <sub>OUT_ACC1</sub>	PWM mode, T <sub>J</sub> = +25°C	-1		+1	%
		PWM mode, T <sub>J</sub> = -40°C to +125°C	-2		+2	
	V <sub>OUT_ACC2</sub>	SKIP mode, no load, T <sub>J</sub> = +25°C	-1		+4.5	
Line Regulation		V <sub>IN</sub> = 1.8V to 5.5V (for D options)		0.4		%V
		V <sub>IN</sub> = 2.6V to 5.5V (for B and C options)		0.4		
Load Regulation		Note 1		0.25		%/A
Line Transient Response	V <sub>OS1</sub> /V <sub>US1</sub>	I <sub>OUT</sub> = 0.5A, V <sub>IN</sub> changes from 3.4V to 2.9V in 25μs (20mV/μs), L = 1μH, C <sub>OUT_NOM</sub> = 8μF (Note 1)		50		mV
Load Transient Response	V <sub>OS2</sub> /V <sub>US2</sub>	I <sub>OUT</sub> changes from 10mA to 0.5A in 15μs, L = 1μH, C <sub>OUT_NOM</sub> = 8μF (Note 1)		250		mV
LX1/2 Current Limit	I <sub>LIM_LX</sub>	T <sub>J</sub> = -40°C to +125°C, for C option	2.5	3.1	3.7	A
		T <sub>J</sub> = -40°C to +125°C, for B and D options	1.3	1.8	2.3	
High-Side PMOS On Resistance	R <sub>DSON_P</sub>	I <sub>LX</sub> = 100mA per switch	10		130	mΩ
Low-Side NMOS On Resistance	R <sub>DSON_N</sub>	I <sub>LX</sub> = 100mA per switch	15		110	mΩ
Switching Frequency	f <sub>SW</sub>	PWM mode, T <sub>J</sub> = +25°C	2.25	2.5	2.75	MHz
		PWM mode, T <sub>J</sub> = -40°C to +125°C	2.2	2.5	2.8	
Turn-On Delay Time	t <sub>ON_DLY</sub>	From EN asserting to SEL detection (Note 2)		100		μs
SEL Detection Time	t <sub>SEL</sub>	After turn-on delay to LX switching (Note 2)		600		μs

**Electrical Characteristics (continued)**

(V<sub>IN</sub> = 3.8V, V<sub>OUT</sub> = 3.3V, typicals are at T<sub>A</sub> ≈ T<sub>J</sub> = +25°C. Limits are 100% production tested at T<sub>J</sub> = +25°C. Limits over the operating temperature range (T<sub>J</sub> = -40°C to +125°C) are guaranteed by design and characterization, unless otherwise noted.)

PARAMETER	SYMBOL	CONDITIONS	MIN	TYP	MAX	UNITS
Soft-Start Time	t <sub>SS</sub>	After SEL detection to soft-start timer finish	I <sub>OUT</sub> = 10mA (Note 1), for B and D options	1500		μs
			I <sub>OUT</sub> = 10mA (Note 1), for C options	200		
Minimum Effective Output Capacitance	C <sub>EFF_MIN</sub>	0A < I <sub>OUT</sub> < 1A	8			μF
LX1, LX2 Leakage Current	I <sub>LK_85</sub>	V <sub>LX1/2</sub> = 0V or 5.5V, V <sub>OUT</sub> = 5.5V, V <sub>IN</sub> = 5.5V, T <sub>J</sub> = +85°C	0.1	2		μA
SYS Undervoltage-Lockout Threshold	V <sub>UVLO_R</sub>	SYS rising, options B and C	2.4	2.5	2.6	V
		SYS rising, option D	1.70	1.75	1.80	
	V <sub>UVLO_F</sub>	SYS falling, options B and C	1.9	2.05	2.2	
		SYS falling, option D	1.62	1.68	1.74	
<b>ENABLE INPUT (EN)</b>						
EN Logic-Low Threshold	V <sub>EN_L</sub>				0.4	V
EN Logic-High Threshold	V <sub>EN_H</sub>		1.3			V
<b>FPWM INPUT</b>						
FPWM Logic-Low Threshold	V <sub>IL</sub>				0.4	V
FPWM Logic-High Threshold	V <sub>IH</sub>		1.3			V
FPWM Internal Pulldown Resistance	R <sub>PD</sub>	Pulldown resistor to GND	400	800	1600	kΩ
<b>POK OUTPUT</b>						
POK Output Low Voltage	V <sub>POK_L</sub>	I <sub>SINK</sub> = 1mA			0.4	V
POK Output High Leakage	I <sub>POK_25C</sub>	T <sub>J</sub> = +25°C	-1		+1	μA
POK Threshold	I <sub>POK_R</sub>	V <sub>OUT</sub> rising, expressed as a percentage of V <sub>OUT</sub>	92.5			%
	I <sub>POK_F</sub>	V <sub>OUT</sub> falling, expressed as a percentage of V <sub>OUT</sub>	90			

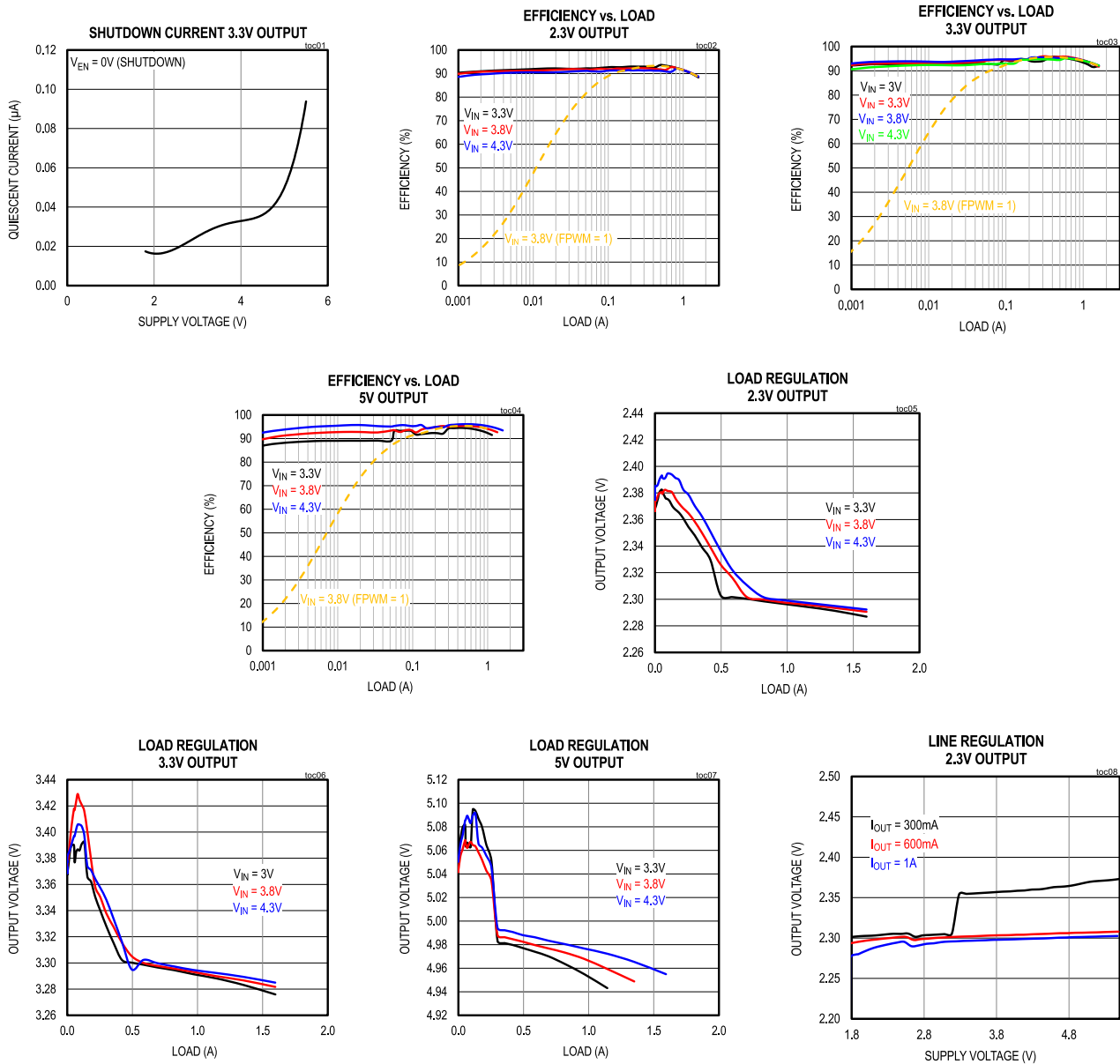
**Note 1:** Guaranteed by ATE characterization. Not directly tested in production.

**Note 2:** Guaranteed by design. Production tested through scan.



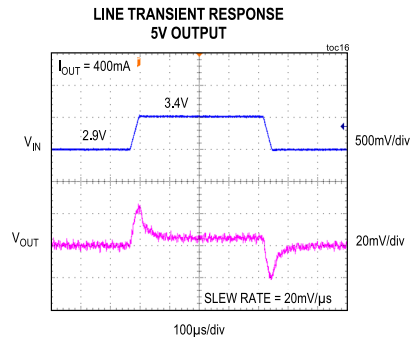
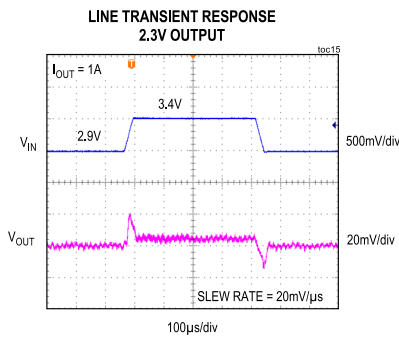
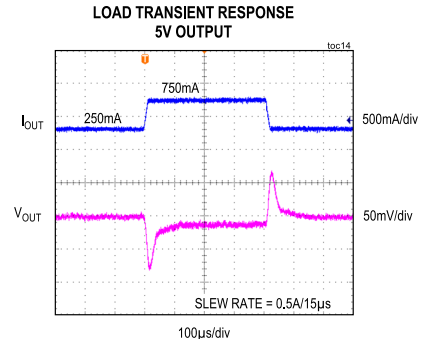
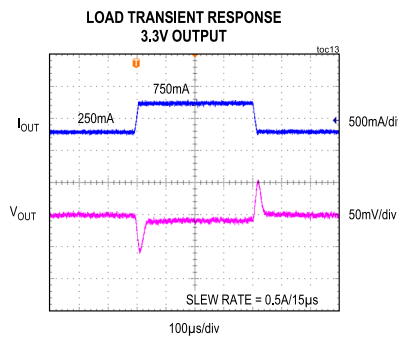
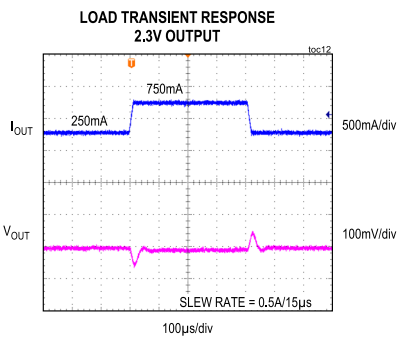
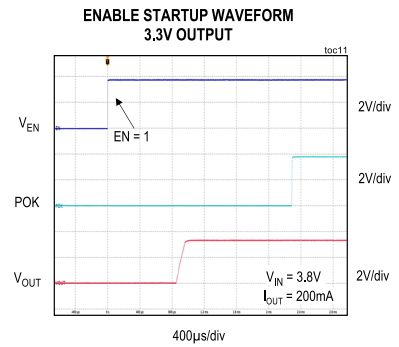
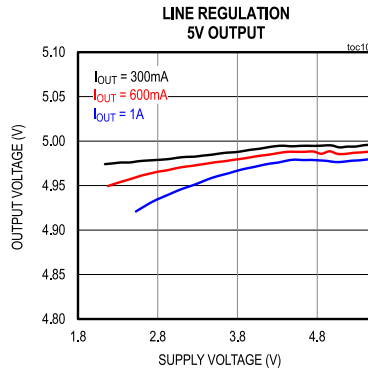
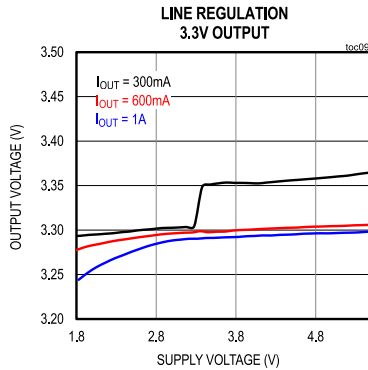
Typical Operating Characteristics

(V<sub>IN</sub> = 3.8V, V<sub>OUT</sub> = 3.3V, L = 1 $\mu$ H (Coilcraft XAL4020-102ME), Skip Mode, I<sub>LIM\_LX</sub> = 1.8A, T<sub>A</sub> = +25°C, unless otherwise noted.)



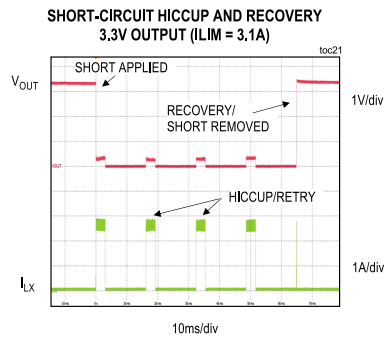
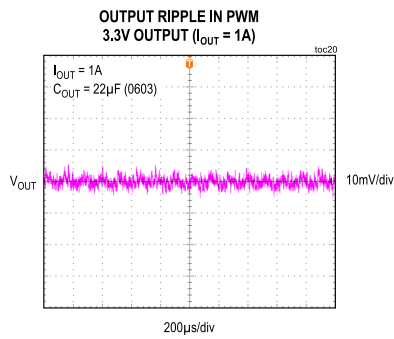
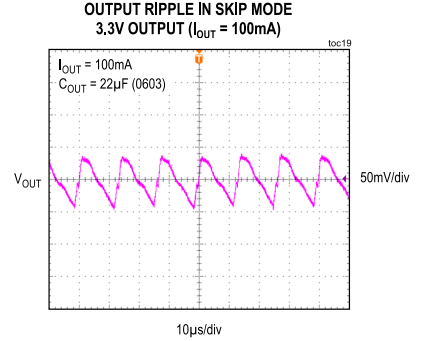
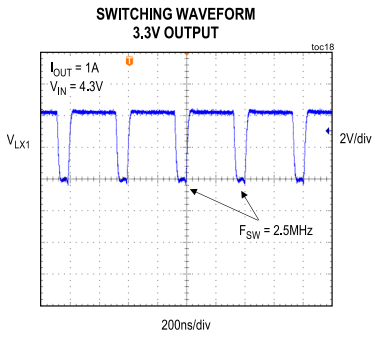
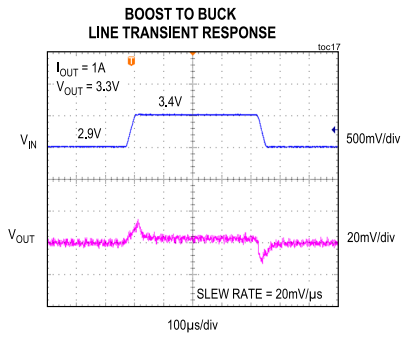
Typical Operating Characteristics (continued)

(V<sub>IN</sub> = 3.8V, V<sub>OUT</sub> = 3.3V, L = 1 $\mu$ H (Coilcraft XAL4020-102ME), Skip Mode, I<sub>LIM\_LX</sub> = 1.8A, T<sub>A</sub> = +25°C, unless otherwise noted.)



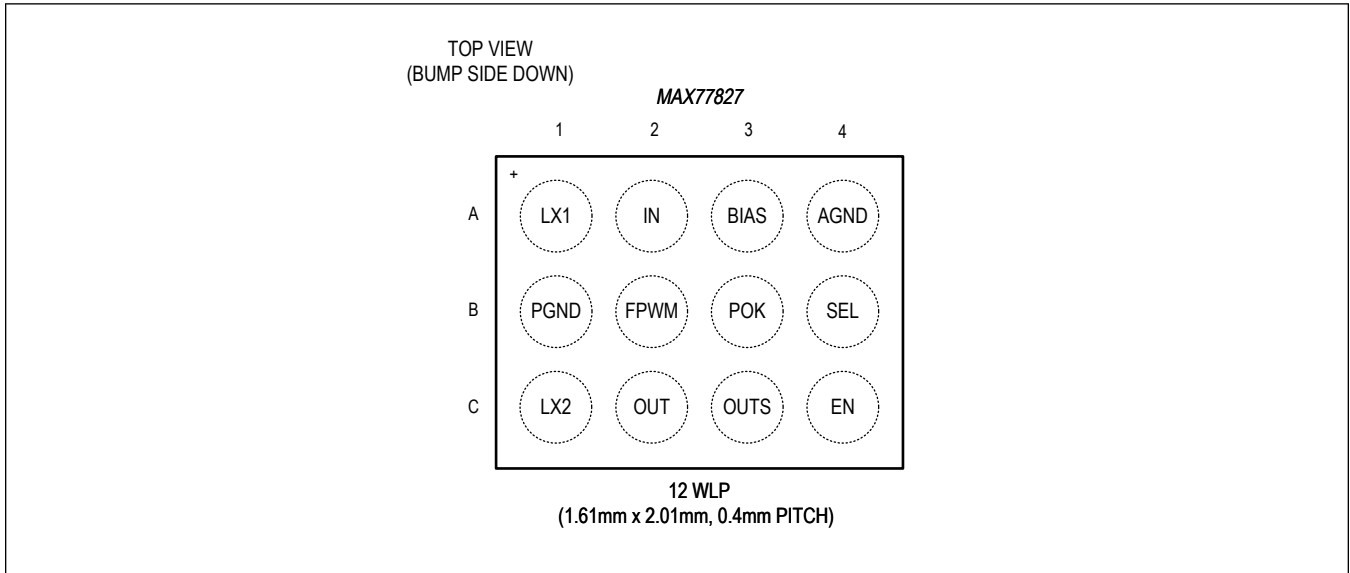
Typical Operating Characteristics (continued)

(V<sub>IN</sub> = 3.8V, V<sub>OUT</sub> = 3.3V, L = 1 $\mu$ H (Coilcraft XAL4020-102ME), Skip Mode, I<sub>LIM\_LX</sub> = 1.8A, T<sub>A</sub> = +25°C, unless otherwise noted.)

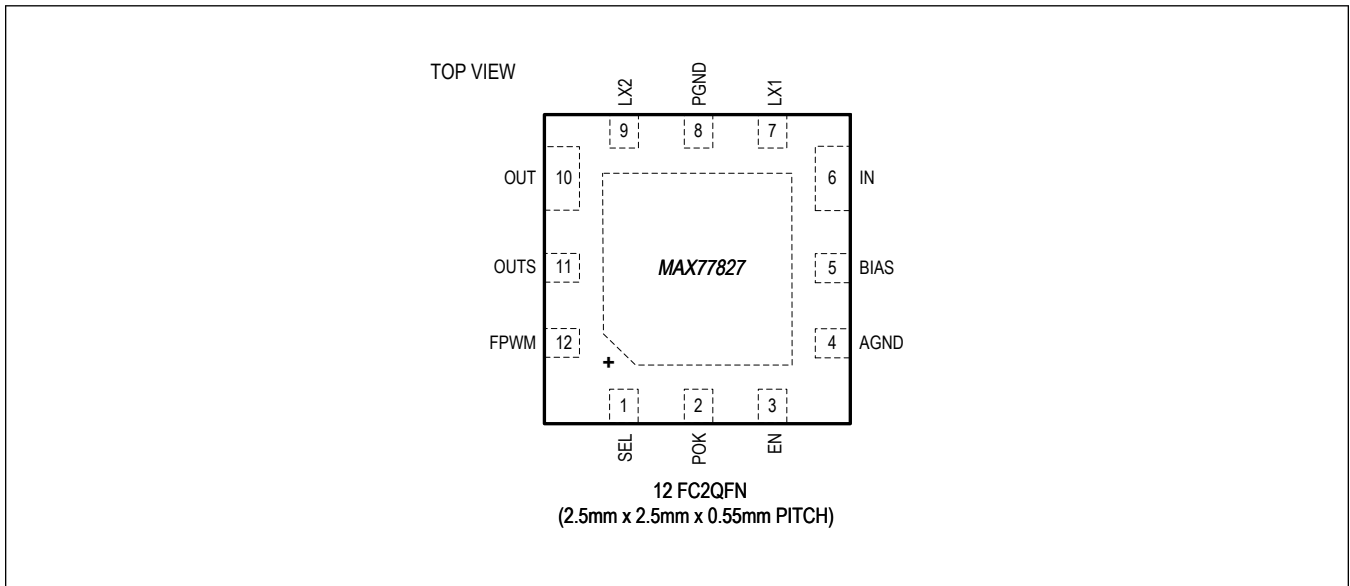


**Bump Configuration**

**12 WLP**



**12 FC2QFN**

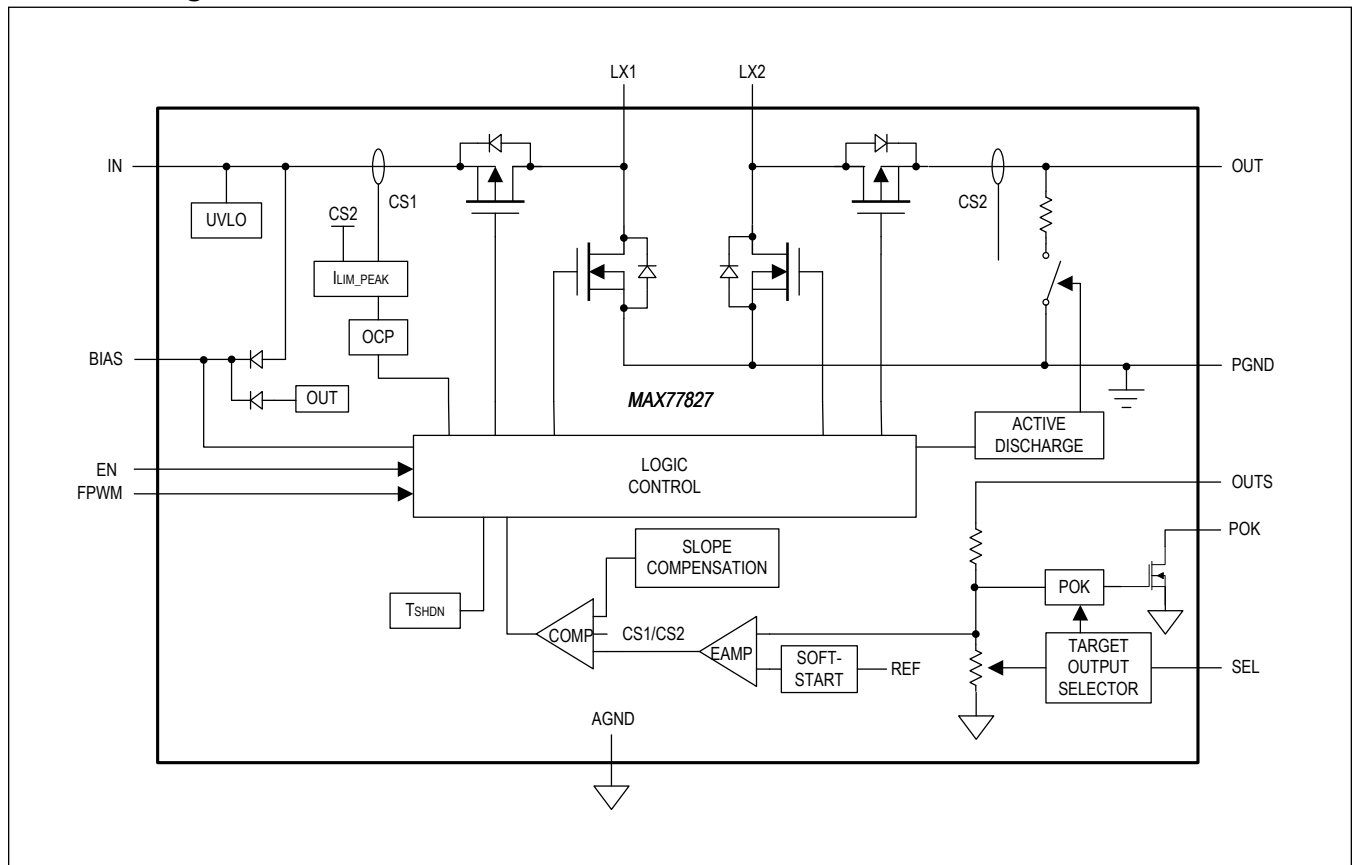


## Bump Description

PIN		NAME	FUNCTION	TYPE
12 WLP	12 FC2QFN			
A1	7	LX1	Switching Node 1	Power
A2	6	IN	Input. Bypass to PGND with a 10V 10 $\mu$ F capacitor.	Power
A3	5	BIAS	Internal Bias. Bypass to PGND with a 10V 1 $\mu$ F capacitor.	Analog
A4	4	AGND	Analog Ground	Ground
B1	8	PGND	Power Ground	Ground
B2	12	FPWM	FPWM Mode Selection (active-high)	Digital Input
B3	2	POK	Power-OK Open-Drain Output (active-high)	Digital Output
B4	1	SEL	Select the output voltage with resistor (see <a href="#">Table 2</a> ).	Analog
C1	9	LX2	Switching Node 2	Power
C2	10	OUT	Output. Bypass to PGND with a 10V 22 $\mu$ F capacitor.	Power
C3	11	OUTS	Output Sense	Analog
C4	3	EN	Enable Pin	Digital Input

Functional Diagrams

Function Diagram



## Detailed Description

### Start Up

When the EN pin is set to high, the IC turns on the internal bias circuitry which takes typically 100 $\mu$ s ( $t_{ON\_DLY}$ ) to settle. After the internal bias circuitry is settled, the controller senses the SEL pin resistance to set the reference voltage. The  $R_{SEL}$  reading takes about 600 $\mu$ s (typ). After the IC reads the  $R_{SEL}$  value, it begins the soft-start process. During the soft-start process, the IC lowers the  $I_{LIM}$  level from normal  $I_{LIM}$  level and ramps the output voltage. This prevents the buck-boost from drawing too much current from the input supply during start up. The soft-start process takes 1.5ms (typ) for options B and D, and takes 200 $\mu$ s (typ) for option C.

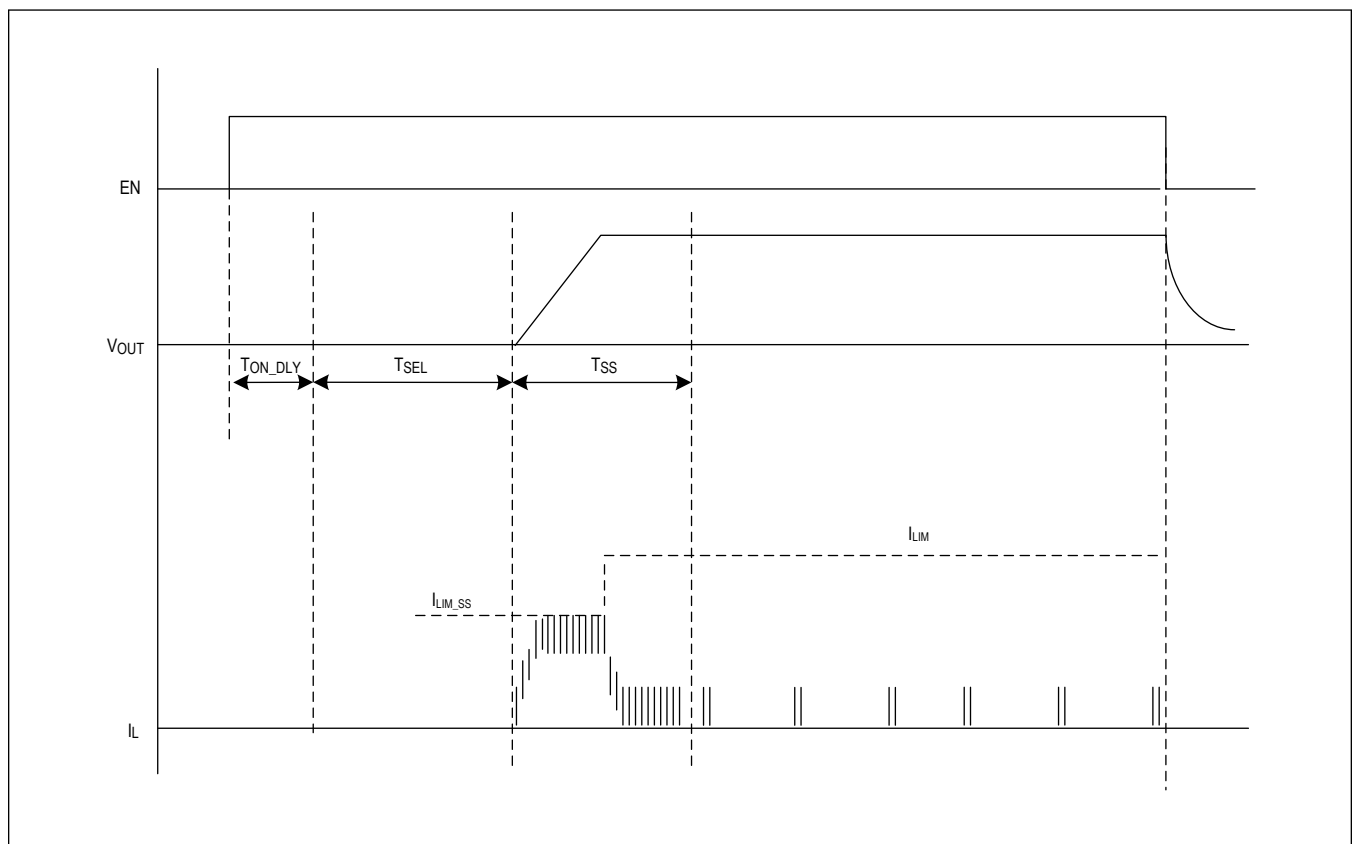


Figure 1. Start-Up Waveform

The buck-boost is in FPWM mode for the entire duration of  $T_{SS}$ . Current limit during soft-start ( $I_{LIM\_SS}$ ) increases to  $I_{LIM}$  after approximately half of  $T_{SS}$ . See [Table 1](#) for a list of parts with their respective soft-start and normal operation  $I_{LIM}$  levels.

**Table 1. I<sub>LIM</sub> Levels**

PART NUMBER	I <sub>LIM_SS</sub> (A)	I <sub>LIM</sub> (A)
MAX77827BEWC+T, MAX77827BEFC+T, MAX77827DEWC+T, MAX77827DEFC+T	1.15	1.8
MAX77827CEWC+T, MAX77827CEFC+T	1.8	3.1

**Immediate Shutdown Conditions**

The following events immediately shutdown the buck-boost:

- Thermal Protection ( $T_J > +165^\circ\text{C}$ )
- $V_{\text{SYS}} < \text{SYS UVLO Falling Threshold } (V_{\text{UVLO\_F}})$

The events in this category shutdown the output until fault conditions are removed from the system.

**Power Down**

When EN pin is set to low, the IC stops switching and turns on the discharge switches until the output is discharged.

**Buck-Boost Regulator**

The IC buck-boost regulator utilizes a four-switch H-bridge configuration to realize buck and boost operating modes. This topology maintains output voltage regulation when the input voltage is greater than, equal to, or less than the output voltage. The buck-boost is ideal in one-cell Li-ion battery powered applications and two-cell Alkaline battery powered applications, providing 2.3V to 5.3V of output voltage range. High-switching frequency and a unique control algorithm allow for the smallest solution size, low output noise, and the highest-efficiency across a wide input voltage and output current range.

**Buck-Boost Control Scheme**

The buck-boost converter operates using a 2.5MHz fixed-frequency pulse-width modulated (PWM) control scheme with current-mode compensation. The buck-boost utilizes an H-bridge topology using a single inductor and output capacitor.

The H-bridge topology has three switching phases. See [Figure 2](#) for details.

- $\Phi 1$  Switch period (Phase 1: HS1 = ON, LS2 = ON) stores energy in the inductor. Inductor current ramps up at a rate proportional to the input voltage divided by inductance:  $V_{\text{IN}}/L$ .
- $\Phi 2$  Switch period (Phase 2: HS1 = ON, HS2 = ON) ramps inductor current up or down depending on the differential voltage across the inductor:  $(V_{\text{IN}} - V_{\text{OUT}})/L$ .
- $\Phi 3$  Switch period (Phase 3: LS1 = ON, HS2 = ON) ramps inductor current down at a rate proportional to the output voltage divided by inductance:  $(-V_{\text{OUT}})/L$ .

Boost operation ( $V_{\text{IN}} < V_{\text{OUT}}$ ) utilizes phase 1 and phase 2 within a single clock period. See the representation of inductor current waveform for boost mode operation in [Figure 2](#).

Buck operation ( $V_{\text{IN}} > V_{\text{OUT}}$ ) utilizes phase 2 and phase 3 within a single clock period. See the representation of inductor current waveform for buck mode operation in [Figure 2](#).



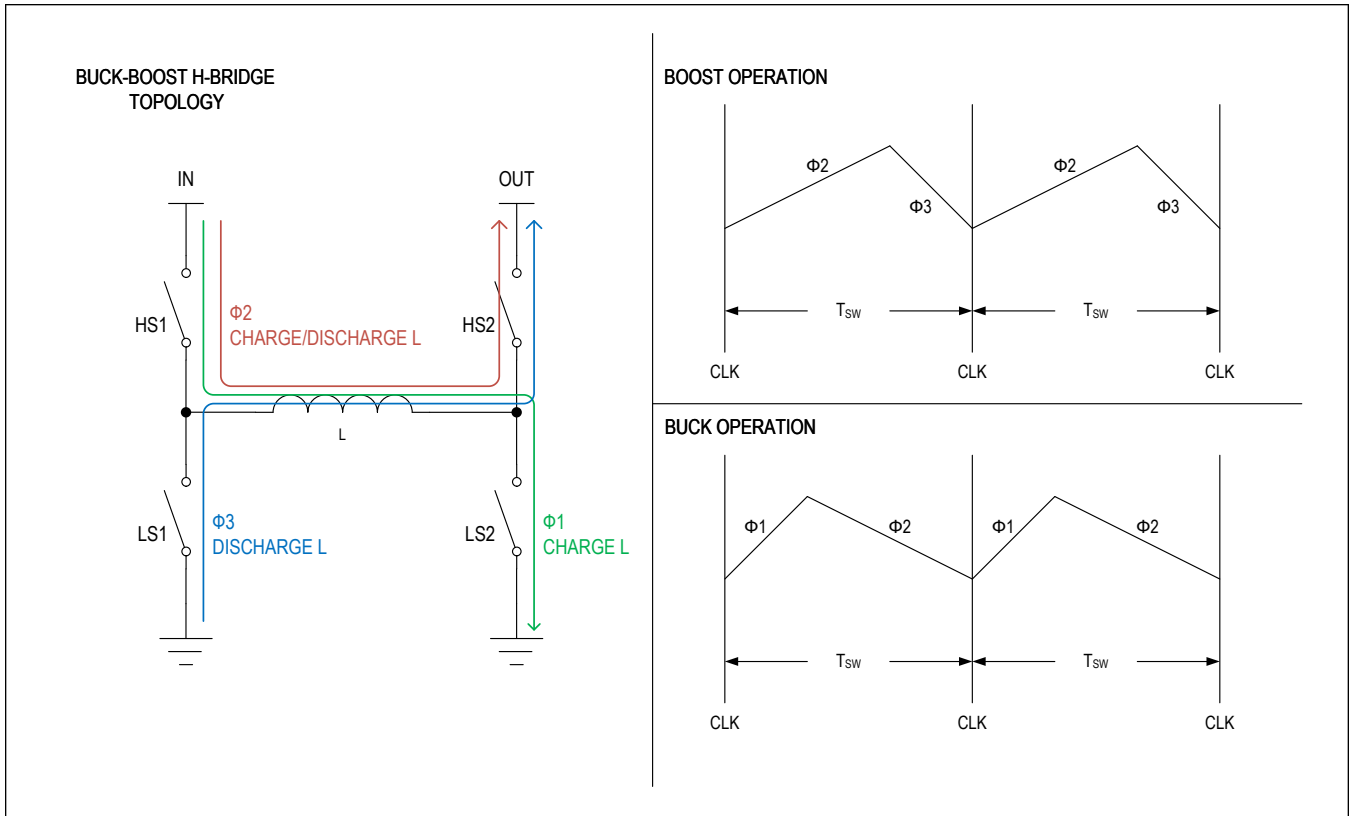


Figure 2. Buck-Boost H-Bridge Topology

**Output Voltage Configuration**

The IC allows a SEL pin to configure the output voltage. Resistors with 1% tolerance (or better) should be chosen, with nominal values specified in [Table 2](#).

**Table 2. R<sub>SEL</sub> Selection Table**

R <sub>SEL</sub> (kΩ)	V <sub>OUT</sub> (V)
Open	3.3
909	2.3
768	2.4
634	2.5
536	2.6
452	2.7
383	2.8
324	2.8
267	2.85
226	5.2
191	2.9
162	5.3

**Table 2. R<sub>SEL</sub> Selection Table (continued)**

R <sub>SEL</sub> (k $\Omega$ )	V <sub>OUT</sub> (V)
133	3
113	3
95.3	3.1
80.6	3.15
66.5	3.15
56.2	3.2
47.5	3.4
40.2	3.45
34	3.5
28	3.6
23.7	3.7
20	3.75
16.9	3.8
14	3.9
11.8	4
10	4.1
8.45	4.2
7.15	4.4
5.9	4.5
4.99	5
Short to GND	3.3

**FPWM Mode Enable**

The IC automatically defaults to SKIP mode operation at no load and light load conditions. Transition from skip mode to PWM occurs when load current increases past a certain threshold. Another way to enable PWM operation is by connecting the FPWM pin to logic HIGH level. This forces PWM mode (FPWM) regardless of load current at the output. FPWM mode benefits applications where the lowest output ripple is required, whereas skip mode helps maximize the buck-boost regulator's efficiency at light loads.

**Power-OK (POK) Indicator**

The device features an open-drain POK output to monitor the output voltage. The POK pin requires an external pull-up resistor and goes high (high-impedance) after the output increases above 92.5% (typ) of the target output voltage (V<sub>OUT\_TARGET</sub>). The POK pin goes low when the regulator output drops below 90% (typ) of V<sub>OUT\_TARGET</sub>.

**Protection Features****Undervoltage Lockout (UVLO)**

The device supports a UVLO feature that prevents operation in abnormal input voltage conditions when V<sub>IN</sub> falls below the V<sub>IN\_UVLO\_F</sub> threshold. Regardless of the EN pin status, the device disables until the input voltage V<sub>IN</sub> rises above the V<sub>IN\_UVLO\_R</sub> threshold.

### Soft-Start

The IC is equipped with a soft-start feature to limit large input-current draw from the system supply during device start-up. During the soft-start time, the IC lowers the switching current-limit level from normal level and operates in FPWM mode. See Table 1 for the  $I_{LIM}$  levels of each part number.

### Output Active Discharge

The buck-boost provides an internal 100 $\Omega$  switch for output active discharge function. The internal switch provides a path to discharge the energy stored in the output capacitor to PGND whenever the regulator is disabled. While the regulator remains enabled, the internal switch is disconnected from the output.

### Overcurrent Protection (OCP)

The device features a robust switching current-limit scheme that protects the device and the inductor during overload and fast transient conditions. The current-sense circuit takes current information from the high-side MOSFETs to determine the peak-switching current ( $R_{DS(ON)} \times I_L$ ).

The IC provides two different cycle-by-cycle current limit levels (1.8A (typ) and 3.1A (typ)) for the high-side MOSFET. If the switching current ( $I_{LIM}$ ) hits current limit for about 3ms, the IC shuts off the output for about 12ms, retries, and repeats this cycle until the over-current condition is removed from the system.

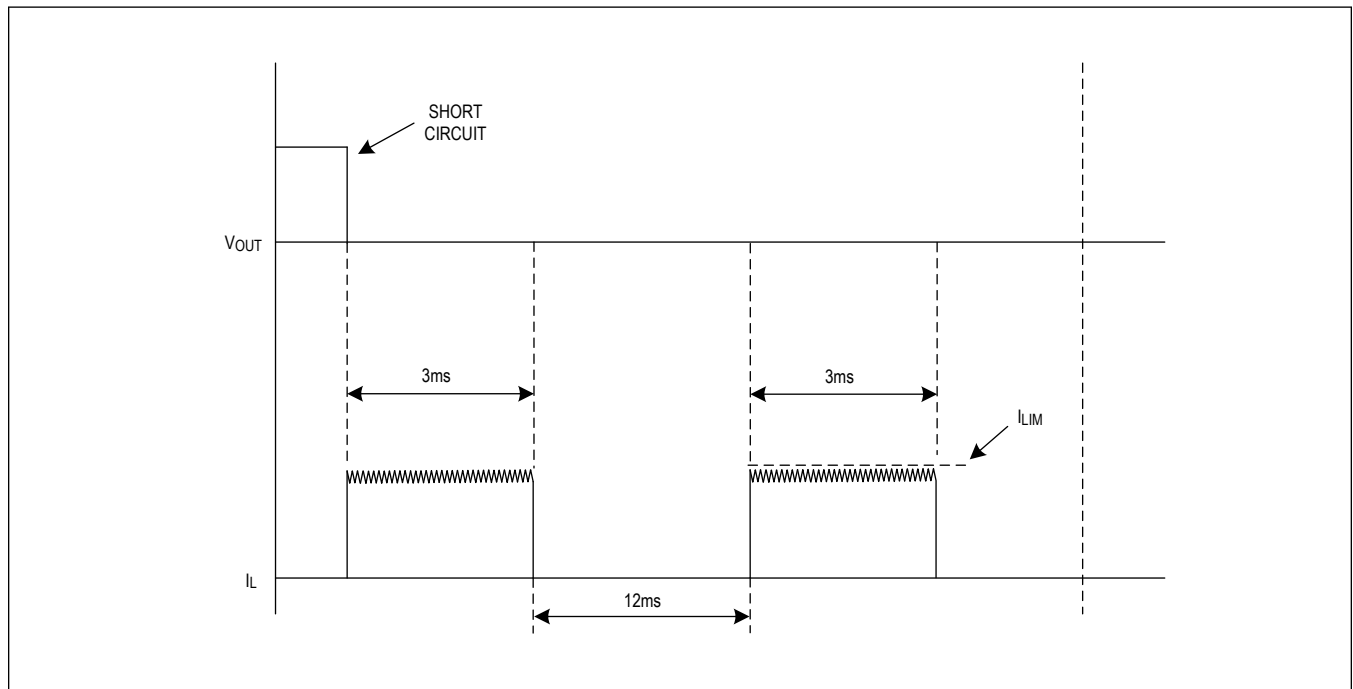


Figure 3. Short-Circuit Waveform

### Thermal Shutdown

The device has an internal thermal-protection circuit which monitors die temperature. The buck-boost disables if the die temperature exceeds  $T_{SHDN}$  (+165 $^{\circ}$ C typ). The buck-boost enables again after the die temperature cools by approximately +20 $^{\circ}$ C.

## Applications Information

### Inductor Selection

Buck-boost is optimized for a 1 $\mu$ H inductance. The lower the inductor DCR, the higher the buck-boost efficiency. Users need to trade off inductor size with DCR value and choose a suitable inductor for the buck-boost.

The saturation current of the inductor should be higher than the maximum switching current limit to avoid inductor saturation during operation. See the [Electrical Characteristics](#) table specifications for the maximum I<sub>LIM</sub> of each IC option.

[Table 3](#) lists recommended inductors for the IC. Always choose the inductor carefully by consulting the manufacturer's latest released data sheet.

**Table 3. Inductor Recommendations**

MFGR.	SERIES	NOMINAL INDUCTANCE ( $\mu$ H)	TYPICAL DC RESISTANCE (m $\Omega$ )	CURRENT RATING (A) -30 ( $\Delta$ L/L)	CURRENT RATING (A) $\Delta$ T = 40°C RISE	DIMENSIONS L x W x H (mm)	OPTIONS
Samsung	CIGT252010EH1R0MNE	1.0	26	5	4.3	2.5 x 2.0 x 1.0	B, D
Sumida	CDMT40D20HF-1R0NC	1.0	13.2	8.7	9.6	4.3 x 4.3 x 2.1	B, C, D
Coilcraft	XAL4020-102MEB	1.0	13	8.7	9.6	4.0 x 4.0 x 2.1	B, C, D

### Input Capacitor Selection

The input capacitor, C<sub>IN</sub>, reduces the current peaks drawn from the battery or input power source and reduces switching noise in the device. The impedance of C<sub>IN</sub> at the switching frequency should be kept very low. Ceramic capacitors with X5R or X7R dielectrics are highly recommended due to their small size, low ESR, and small temperature coefficients. For most applications, a 10V 10 $\mu$ F capacitor is sufficient.

### Output Capacitor Selection

The output capacitor, C<sub>OUT</sub>, is required to keep the output-voltage ripple small and to ensure regulation loop stability. C<sub>OUT</sub> must have low impedance at the switching frequency. Ceramic capacitors with X5R or X7R dielectric are highly recommended due to their small size, low ESR, and small temperature coefficients. For stable operation, the buck-boost requires 8 $\mu$ F of minimum effective output capacitance. Considering DC bias characteristic of ceramic capacitors, a 10V 22 $\mu$ F capacitor is recommended for most applications.

### PCB Layout Guidelines

Careful circuit board layout is critical to achieve low-switching power losses and clean, stable operation. [Figure 4](#) shows an example PCB top-metal layout for B and D versions of the device.

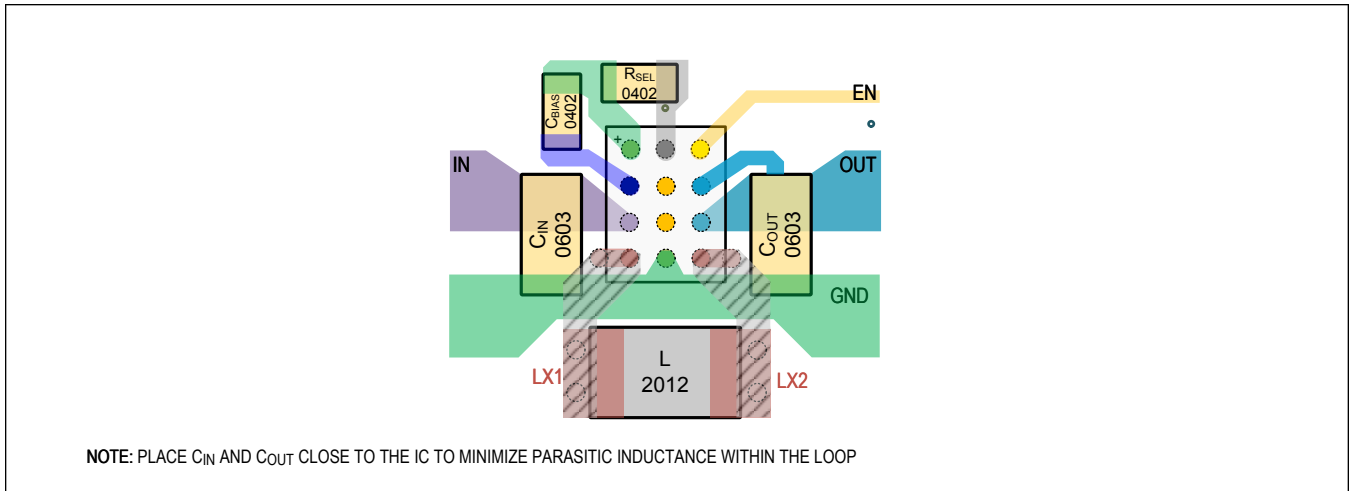
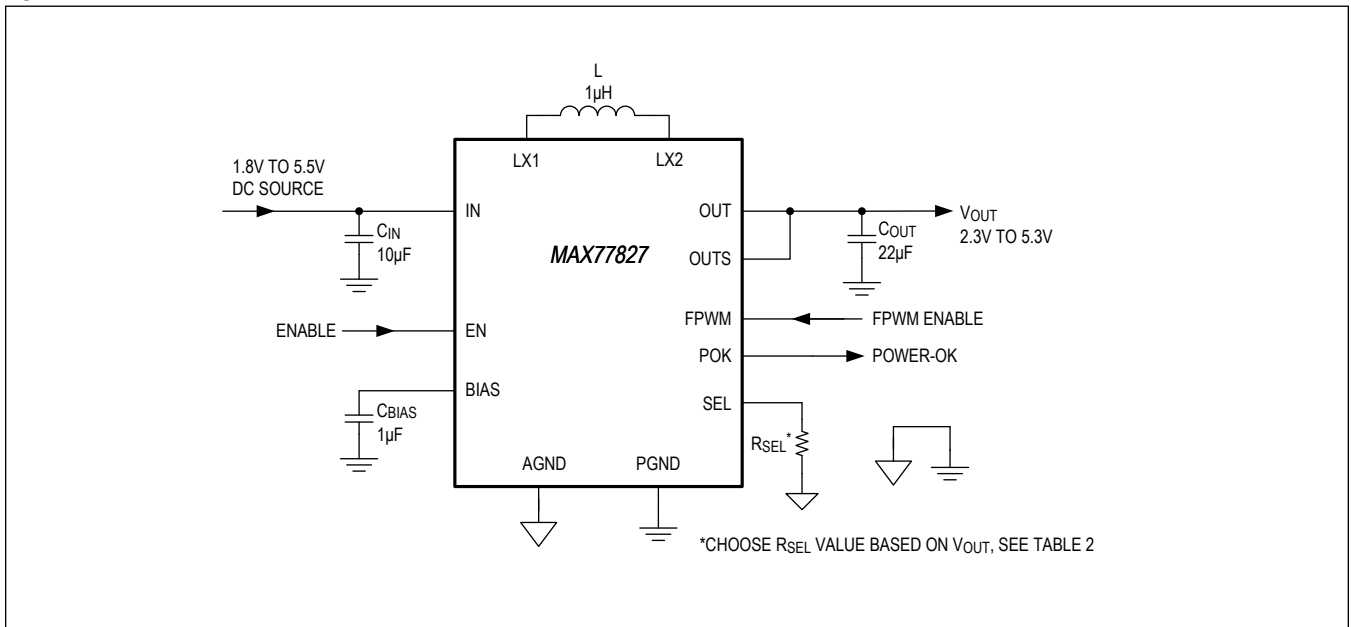


Figure 4. PCB Layout Guideline (For B and D Options)

### Typical Application Circuits

#### Typical Application Circuit



## Ordering Information

PART NUMBER	TYP I <sub>LIM</sub> (A)	UVLO RISING MAX (V)	PIN-PACKAGE
MAX77827BEWC+T	1.8	2.6	12 WLP
MAX77827CEWC+T	3.1	2.6	12 WLP
MAX77827DEWC+T	1.8	1.8	12 WLP
MAX77827BEFD+T*	1.8	2.6	14 FC2QFN
MAX77827CEFD+T*	3.1	2.6	14 FC2QFN
MAX77827DEFD+T*	1.8	1.8	14 FC2QFN

+Denotes a lead(Pb)-free/RoHS-compliant package.

T = Tape and reel.

\*Future product—contact factory for availability.

## Revision History

REVISION NUMBER	REVISION DATE	DESCRIPTION	PAGES CHANGED
0	4/19	Initial release	—
1	5/19	Updated <i>Ordering Information</i> table	22
2	6/19	Updated <i>Ordering Information</i> table	22

For pricing, delivery, and ordering information, please visit Maxim Integrated's online storefront at <https://www.maximintegrated.com/en/storefront/storefront.html>.

*Maxim Integrated cannot assume responsibility for use of any circuitry other than circuitry entirely embodied in a Maxim Integrated product. No circuit patent licenses are implied. Maxim Integrated reserves the right to change the circuitry and specifications without notice at any time. The parametric values (min and max limits) shown in the Electrical Characteristics table are guaranteed. Other parametric values quoted in this data sheet are provided for guidance.*