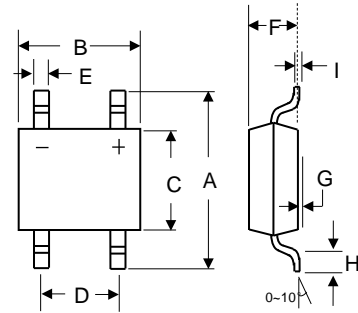


### Features

- \* Ideal for surface mount application
- \* The plastic material used carries Underwriters Laboratory flammability recognition 94V-0
- \* Surge overload ratings to 30 amperes
- \* High temperature soldering guaranteed 260°C/10 seconds at 5 lbs (2.3kg) tension



RoHS  
COMPLIANT



### Mechanical Data

- \* Case: Molded plastic
- \* Terminals: Plated leads solderable per MIL-STD-202, Method 208
- \* Polarity: Polarity as marked on the body
- \* Mounting Position: Any

DIM.	MBF			
	INCHES		MM	
	MIN	MAX	MIN	MAX
A	0.258	0.276	6.55	7.05
B	0.177	0.193	4.50	4.90
C	0.142	0.157	3.60	4.00
D	0.095	0.105	2.34	2.74
E	0.019	0.031	0.40	0.80
F	0.047	0.063	1.20	1.60
G	---	0.008	---	0.20
H	0.024	0.043	0.61	1.01
I	0.006	0.014	0.15	0.25

### Maximum Ratings and Electrical Characteristics (T<sub>A</sub>=25°C unless otherwise noted)

Type Number	Symbol	MB005F	MB1F	MB2F	MB4F	MB6F	MB8F	MB10F	Unit
Maximum Repetitive Peak Reverse Voltage	V <sub>RRM</sub>	50	100	200	400	600	800	1000	V
Maximum RMS Voltage	V <sub>RMS</sub>	35	70	140	280	420	560	700	V
Maximum DC blocking Voltage	V <sub>DC</sub>	50	100	200	400	600	800	1000	V
Maximum average forward rectified current On glass-epoxy P.C.B. On aluminum substrate	I <sub>F</sub>	0.5 0.8							A
Peak Forward Surge Current 8.3ms single half sine-wave superimposed on rated load	I <sub>FSM</sub>	30							A
Maximum Instantaneous Forward Voltage (Note 1) I <sub>F</sub> = 0.4 A	V <sub>F</sub>	1.0							V
Maximum DC Reverse Current T <sub>J</sub> =25°C at rated DC blocking voltage T <sub>J</sub> =125°C	I <sub>R</sub>	5 100							μA
Typical thermal resistance (Note 3)	R <sub>θJL</sub> R <sub>θJA</sub>	20 85							°C/W
Typical junction capacitance per element(Note2)	C <sub>J</sub>	13							pF
Rating for fusing ( t<8.3ms)	I <sup>2</sup> t	5.08							A <sup>2</sup> sec
Operating junction and storage temperature range	T <sub>J</sub> / T <sub>STG</sub>	-55 to +150							°C

Note: 1、 Pulse Test with PW=300μs,1% Duty Cycle

2、 Measure at 1.0MHz and Applied Reverse Voltage of 4.0 Volts D.C.

3、 On glass epoxy P.C.B. mounted on 0.05" x 0.05" (1.3mm x 1.3mm) pads

### Ratings and Characteristic Curves

FIG. 1 MAXIMUM FORWARD CURRENT DERATING CURVE

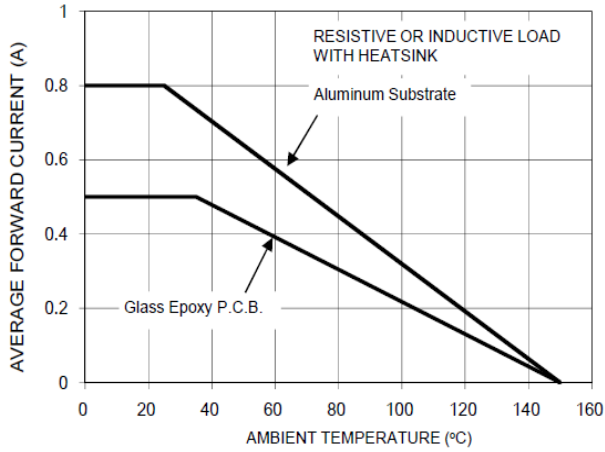


FIG. 2 TYPICAL REVERSE CHARACTERISTICS PER LEG

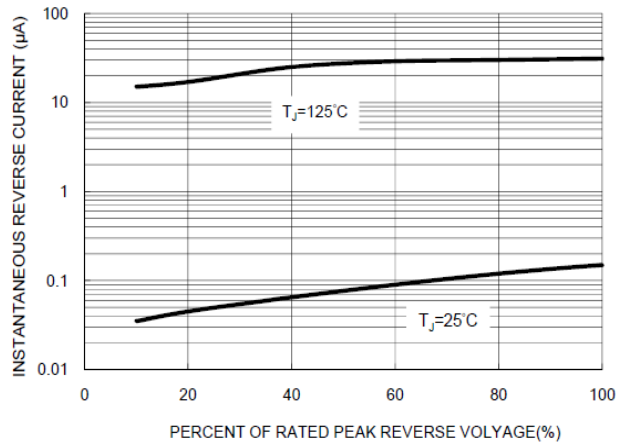


FIG. 3 MAXIMUM NON-REPETITIVE FORWARD SURGE CURRENT PER LEG

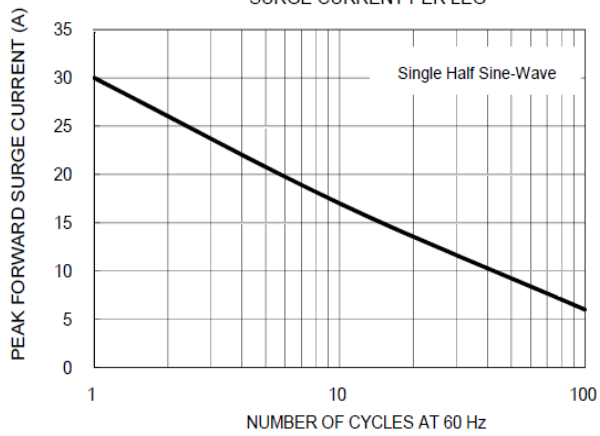


FIG. 4 TYPICAL FORWARD CHARACTERISTICS PER LEG

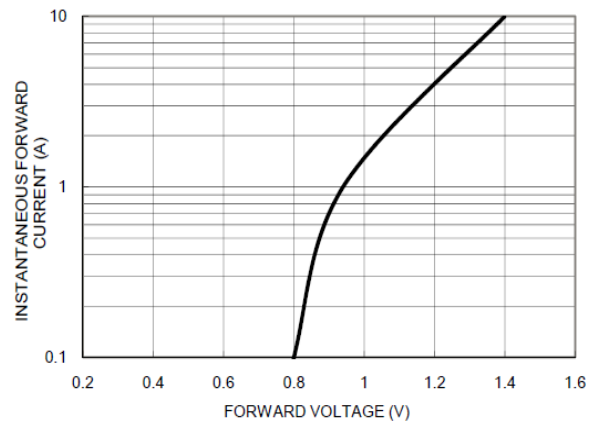
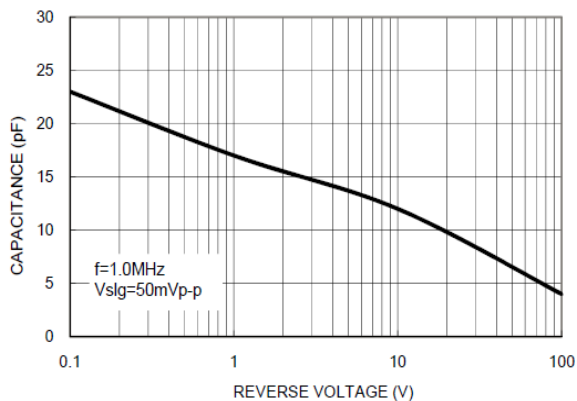


FIG. 5 TYPICAL JUNCTION CAPACITANCE PER LEG





## MB005F THRU MB10F *Glass Passivated Bridge Rectifiers*

### Ordering Information

Part No.	Package	Packing Code	Packing
MB005F THRU MB10F	MBF	R50	5000pcs/Reel

### Disclaimer

Specifications of the products displayed herein are subject to change without notice. JGD or anyone on its behalf, assumes no responsibility or liability for any errors or inaccuracies.

Information contained herein is intended to provide a product description only. No license, express or implied, to any intellectual property rights is granted by this document. Except as provided in JGD's terms and conditions of sale for such products, JGD assumes no liability whatsoever, and disclaims any express or implied warranty, relating to sale and/or use of JGD products including liability or warranties relating to fitness for a particular purpose, merchantability, or infringement of any patent, copyright, or other intellectual property right.

The products shown herein are not designed for use in medical, life-saving, or life-sustaining applications. Customers using or selling these products for use in such applications do so at their own risk and agree to fully indemnify JGD for any damages resulting from such improper use or sale.