

ASSP For Power Supply Applications

Multi-Resonance AC/DC Converter IC

MB3873

■ DESCRIPTION

The MB3873 is a pulse frequency modulation (PFM) type multi-resonance AC/DC converter IC providing soft switching functions in a more compact, higher-efficiency, low-noise package.

Since this product allows reduced number of the components and reduced size of the transformer, it is also compatible with the miniaturization of AC adaptor.

The product retains the multi-resonance for the non-load, over-load and load short-circuit over the wide range of input voltage, making it the appropriate IC for the small-sized AC adaptor.

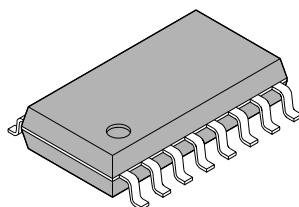
■ FEATURES

- Operating power supply voltage : 10V to 28V
- Operating current : 2.5mA typ.
- Low standby current : 400 μ A typ.
- Control frequency range : 10kHz to 800kHz
- Operating temperature range : -30°C to +105°C
- Soft start circuit on-chip
- Overvoltage detection circuit on-chip

(Continued)

■ PACKAGE

16-pin plastic SOP



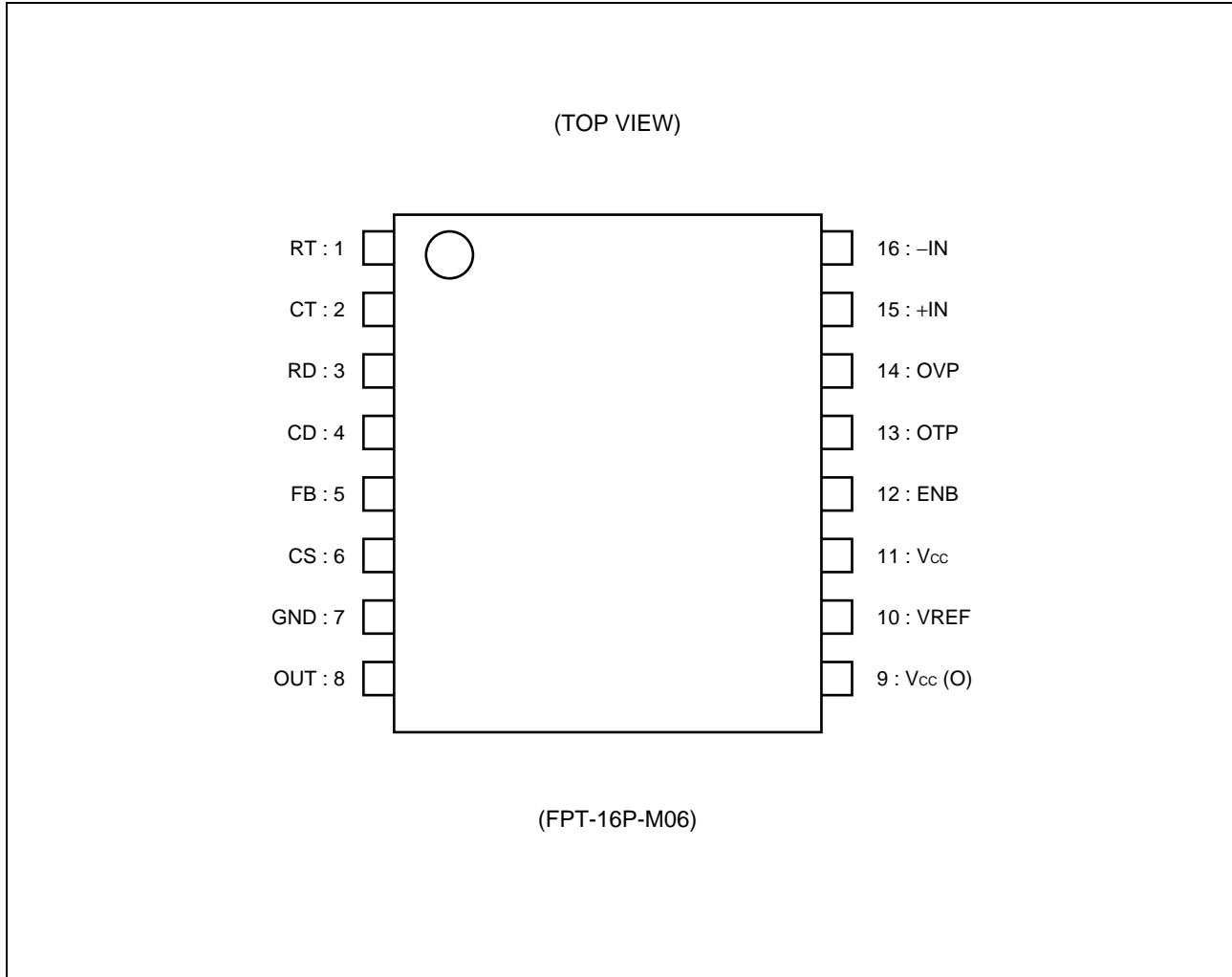
(FPT-16P-M06)

MB3873

(Continued)

- Overload detection circuit on-chip
- Over temperature detection circuit on-chip
- Under voltage lockout protection circuit on-chip

■ PIN ASSIGNMENT

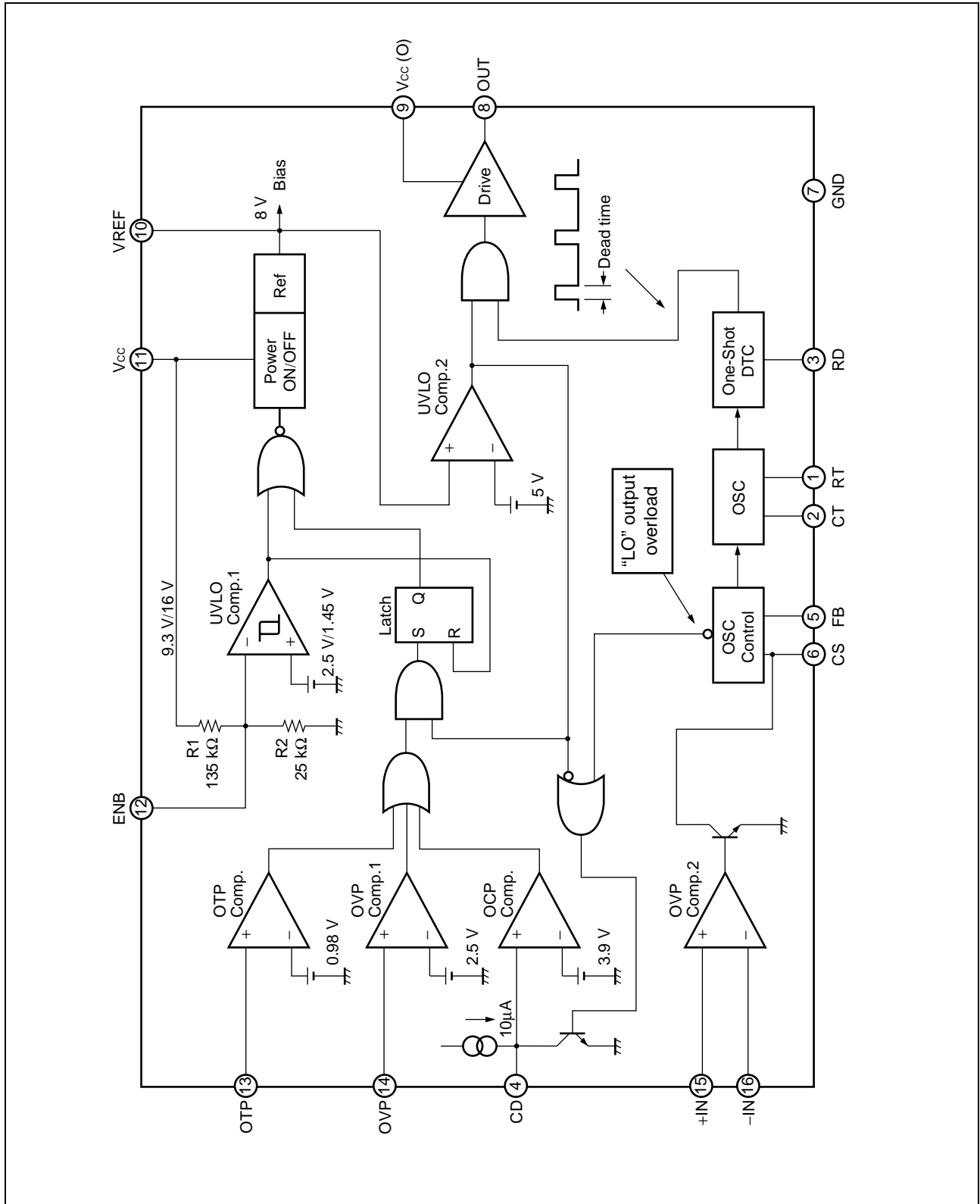


■ PIN DESCRIPTION

Pin No.	Symbol	I/O	Descriptions
1	RT	—	Triangular wave oscillator frequency setting resistor connection pin
2	CT	—	Triangular wave oscillator frequency setting capacitor connection pin
3	RD	—	Dead time setting resistor connection pin
4	CD	—	Delay interval setting capacitor connection pin
5	FB	I	Control frequency control pin
6	CS	—	Soft start capacitor connection pin
7	GND	—	Ground pin
8	OUT	O	Totem pole type output pin
9	V _{cc} (O)	—	Output circuit power supply pin
10	VREF	O	Reference voltage output pin
11	V _{cc}	—	Reference power and control circuit power supply pin
12	ENB	—	UVLO voltage setting resistor connection pin
13	OTP	I	Overtemperature detection comparator input pin
14	OVP	I	Overvoltage detection comparator 1 input pin
15	+IN	I	Overvoltage detection comparator 2 non-inverted input pin
16	-IN	I	Overvoltage detection comparator 2 inverted input pin

MB3873

■ BLOCK DIAGRAM



■ ABSOLUTE MAXIMUM RATINGS

Parameter	Symbol	Conditions	Rating		Unit
			Min.	Max.	
Power supply voltage	V _{CC}	V _{CC} , V _{CC} (O) pin	—	30	V
Output current	I _O	OUT pin	—	20	mA
Peak output current	I _O	OUT pin, Duty ≤ 5 %	—	300	mA
Power dissipation	P _D	T _a ≤ +25°C	—	540*	mW
Storage temperature	T _{stg}	—	-55	+125	°C

* : The packages are mounted on the dual-sided epoxy board (10 cm × 10 cm).

WARNING: Semiconductor devices can be permanently damaged by application of stress (voltage, current, temperature, etc.) in excess of absolute maximum ratings. Do not exceed these ratings.

■ RECOMMENDED OPERATING CONDITIONS

Parameter	Symbol	Conditions	Value			Unit
			Min.	Typ.	Max.	
Power supply voltage	V _{CC}	—	10	18	28	V
	V _{CC} (O)	—	5	VREF	28	V
Reference voltage output current	I _{OR}	V _{CC} (O) = VREF	-10	—	0	mA
Input voltage	V _{IN}	OTP, OVP pin	0	—	V _{CC}	V
		+IN, -IN pin	0	—	VREF	V
Output current	I _O	OUT pin	-15	—	15	mA
Triangular wave oscillator frequency	f _{OSC}	FB = VREF, CS = OPEN	10	105	300	kHz
Timing capacitor	C _T	—	100	220	4700	pF
Timing resistor	R _T	—	15	33	47	kΩ
Control frequency	f _{OSC}	FB controlled	10	105	800	kHz
OSC control current	I _{FB}	FB pin	-1	—	—	mA
Soft start capacitor	C _S	—	—	0.1	1.0	μF
Delay time capacitor	C _D	—	—	0.1	1.0	μF
Dead time resistor	R _D	—	36	120	250	kΩ
Operating ambient temperature	T _a	—	-30	25	105	°C

WARNING: The recommended operating conditions are required in order to ensure the normal operation of the semiconductor device. All of the device's electrical characteristics are warranted when the device is operated within these ranges.

Always use semiconductor devices within their recommended operating condition ranges. Operation outside these ranges may adversely affect reliability and could result in device failure.

No warranty is made with respect to uses, operating conditions, or combinations not represented on the data sheet. Users considering application outside the listed conditions are advised to contact their FUJITSU representatives beforehand.

■ ELECTRICAL CHARACTERISTICS

($T_a = +25^\circ\text{C}$, $V_{CC} = 18\text{ V}$, $V_{CC}(\text{O}) = V_{REF}$)

Parameter		Symbol	Pin no	Conditions	Value			Unit
					Min.	Typ.	Max.	
Reference voltage block [Ref]	Output voltage	V_{REF}	10	$T_a = 25^\circ\text{C}$	7.6	8.0	8.4	V
				$T_a = -30\text{ to }+85^\circ\text{C}$	7.44	8.0	8.56	V
	Input stability	Line	10	$V_{CC} = 10\text{ V to }28\text{ V}$	-30	—	30	mV
	Load stability	Load	10	$V_{REF} = 0\text{ mA to }-10\text{ mA}$	—	25	50	mV
	Short circuit output current	I_{OS}	10	$V_{REF} = 4\text{ V}$	-35	-25	-15	mA
Under voltage lockout circuit block [UVLO]	Threshold voltage	V_{TLH}	10	$V_{CC} = \overline{\downarrow}$	15	16	17	V
		V_{THL}	10	$V_{CC} = \underline{\uparrow}$	8.8	9.3	9.8	V
	Hysteresis width	V_H	10	$V_H = V_{TLH} - V_{THL}$	—	6.7	—	V
Triangular wave oscillator block [OSC]	Oscillator frequency	f_{OSC1}	8	$C_T = 220\text{ pF}$, $R_T = 33\text{ k}\Omega$, $FB = V_{REF}$, $CS = \text{OPEN}$	95	105	115	kHz
		f_{OSC2}	8	$C_T = 220\text{ pF}$, $R_T = 33\text{ k}\Omega$, $FB = -1\text{ mA}$, $CS = \text{OPEN}$	535	630	725	kHz
	Frequency temperature stability	$\Delta f/fdt$	8	$T_a = -30\text{ to }+85^\circ\text{C}$	—	1.0*	—	%
Soft start block [CS]	Charge current	I_{CS1}	6	$CS = 0\text{ V}$	-35	-25	-15	μA
		I_{CS2}	6	$CS = 2\text{ V}$	-3.5	-2.5	-1.5	μA
	Soft start frequency	f_{CS1}	8	$C_T = 220\text{ pF}$, $R_T = 33\text{ k}\Omega$, $FB = V_{REF}$, $CS = 0\text{ V}$	380	450	520	kHz
		f_{CS2}	8	$C_T = 220\text{ pF}$, $R_T = 33\text{ k}\Omega$, $FB = V_{REF}$, $CS = \text{OPEN}$	95	105	115	kHz
Dead time control block [DTC]	Dead time	t_{DEAD}	8	$R_D = 120\text{ k}\Omega$	400	500	600	ns
Overload detection block [OCP]	Threshold current	I_{TH}	5	—	-60	-40	-20	μA
	Threshold voltage	V_{TH}	4	—	3.7	3.9	4.1	V
	Charge current	I_{CD}	4	—	-14	-10	-6	μA
Overvoltage detection comparator block1 [OVP1]	Threshold voltage	V_{TH}	14	—	2.37	2.50	2.63	V
	Input bias current	I_B	14	$OVP = 0\text{ V}$	-400	-50	—	nA

*: Standard design value.

(Continued)

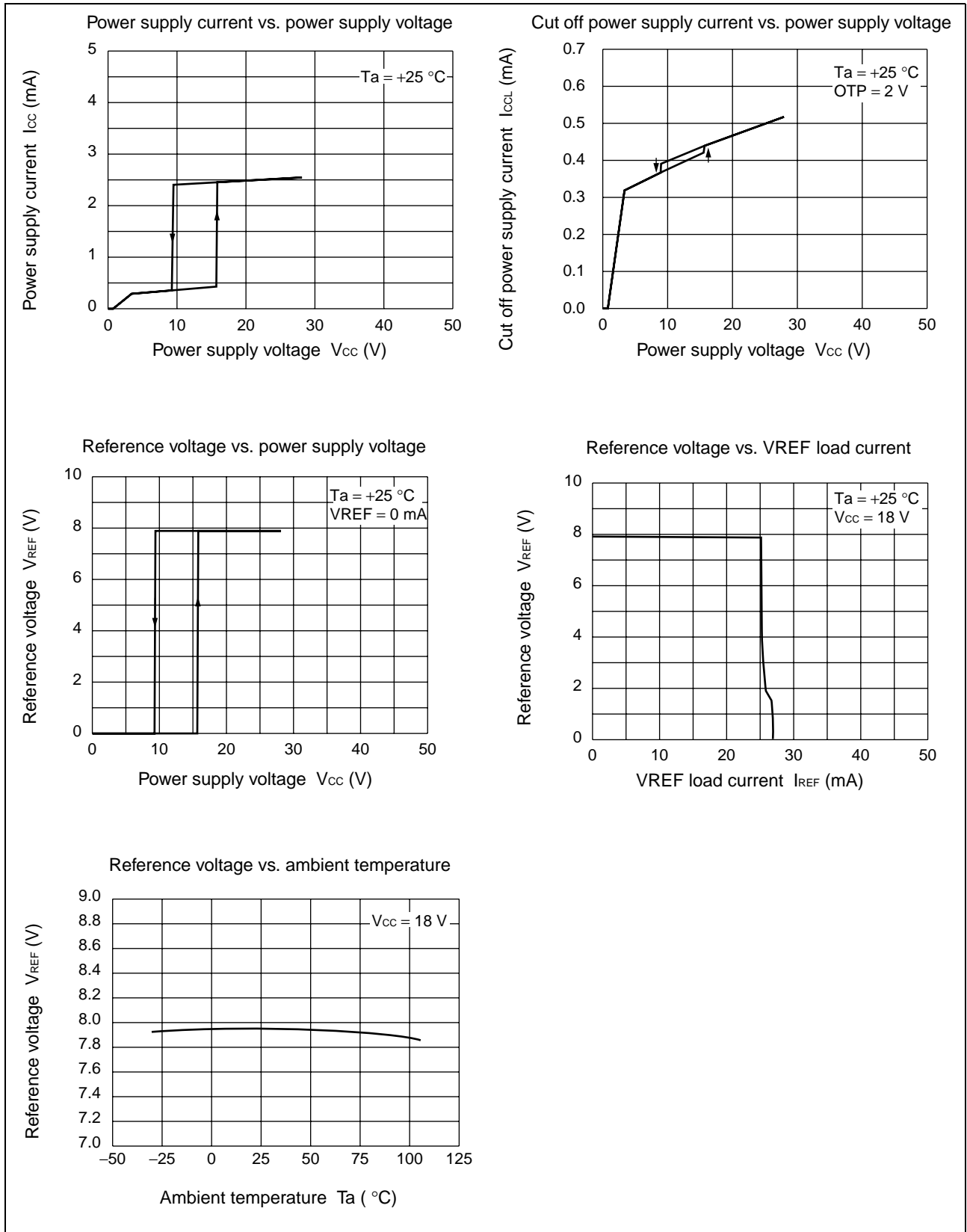
(Continued)

($T_a = +25^\circ\text{C}$, $V_{CC} = 18\text{ V}$, $V_{CC}(\text{O}) = V_{REF}$)

Parameter		Symbol	Pin no	Conditions	Value			Unit
					Min.	Typ.	Max.	
Overvoltage detection comparator block2 [OVP2]	Input offset voltage	V_{IO}	15, 16	$CS = 1.5\text{ V}$	—	—	10	mV
	Common mode input voltage range	V_{CM}	15, 16	—	0	—	$V_{REF} - 1.8$	V
	Input current	I_{B1}	15	$+IN = 0\text{ V}$, $-IN = 3\text{ V}$	-200	-25	—	nA
		I_{B2}	16	$+IN = 3\text{ V}$, $-IN = 0\text{ V}$	-200	-25	—	nA
Over temperature detection comparator block [OTP]	Threshold voltage	V_{TH}	13	—	0.93	0.98	1.03	V
	Input bias current	I_B	13	$OTP = 0\text{ V}$	-400	-50	—	nA
Output block [Drive]	Output source current	I_{SOURCE}	8	Duty $\leq 5\%$, $OUT = 5\text{ V}$	—	-60	—	mA
	Output sink current	I_{SINK}	8	Duty $\leq 5\%$, $OUT = 3\text{ V}$	—	100	—	mA
	Output voltage	V_{OH}	8	$OUT = -15\text{ mA}$	6.6	7.1	—	V
		V_{OL}	8	$OUT = 15\text{ mA}$	—	0.9	1.4	V
	Rise time	t_r	8	$C_L = 100\text{ pF}$	—	25	—	ns
	Fall time	t_f	8	$C_L = 100\text{ pF}$	—	20	—	ns
General	Standby current	I_{CCS}	11	$V_{CC} = 14\text{ V}$	—	400	600	μA
	Operating power supply current	I_{CC}	11	$V_{CC} = 18\text{ V}$	—	2.5	3.8	mA
	Cut off power supply current	I_{CCL}	11	$V_{CC} = 18\text{ V}$, $OTP = 2\text{ V}$	—	450	680	μA

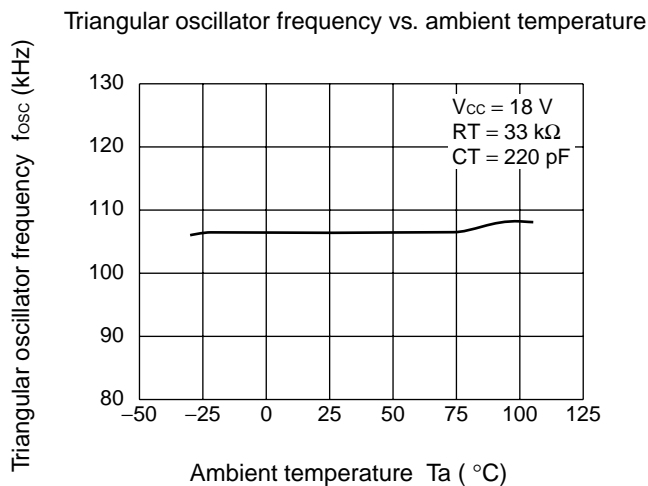
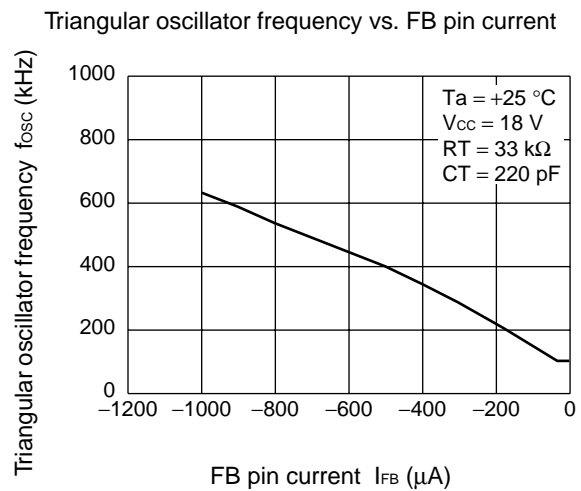
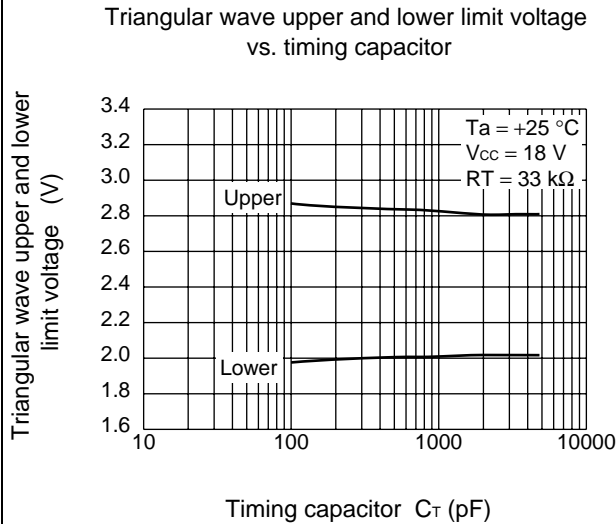
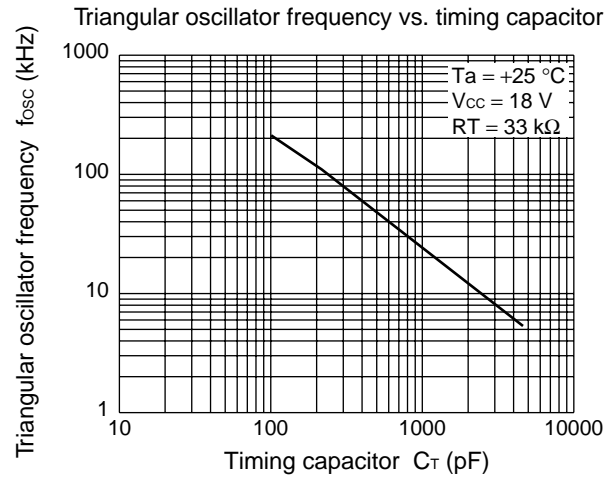
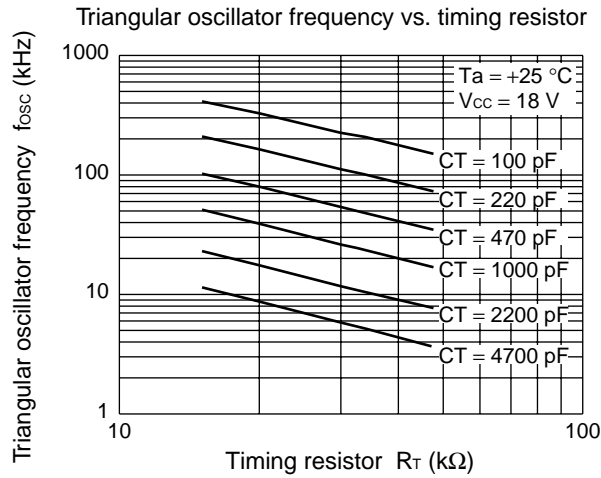
*: Standard design value.

TYPICAL CHARACTERISTICS



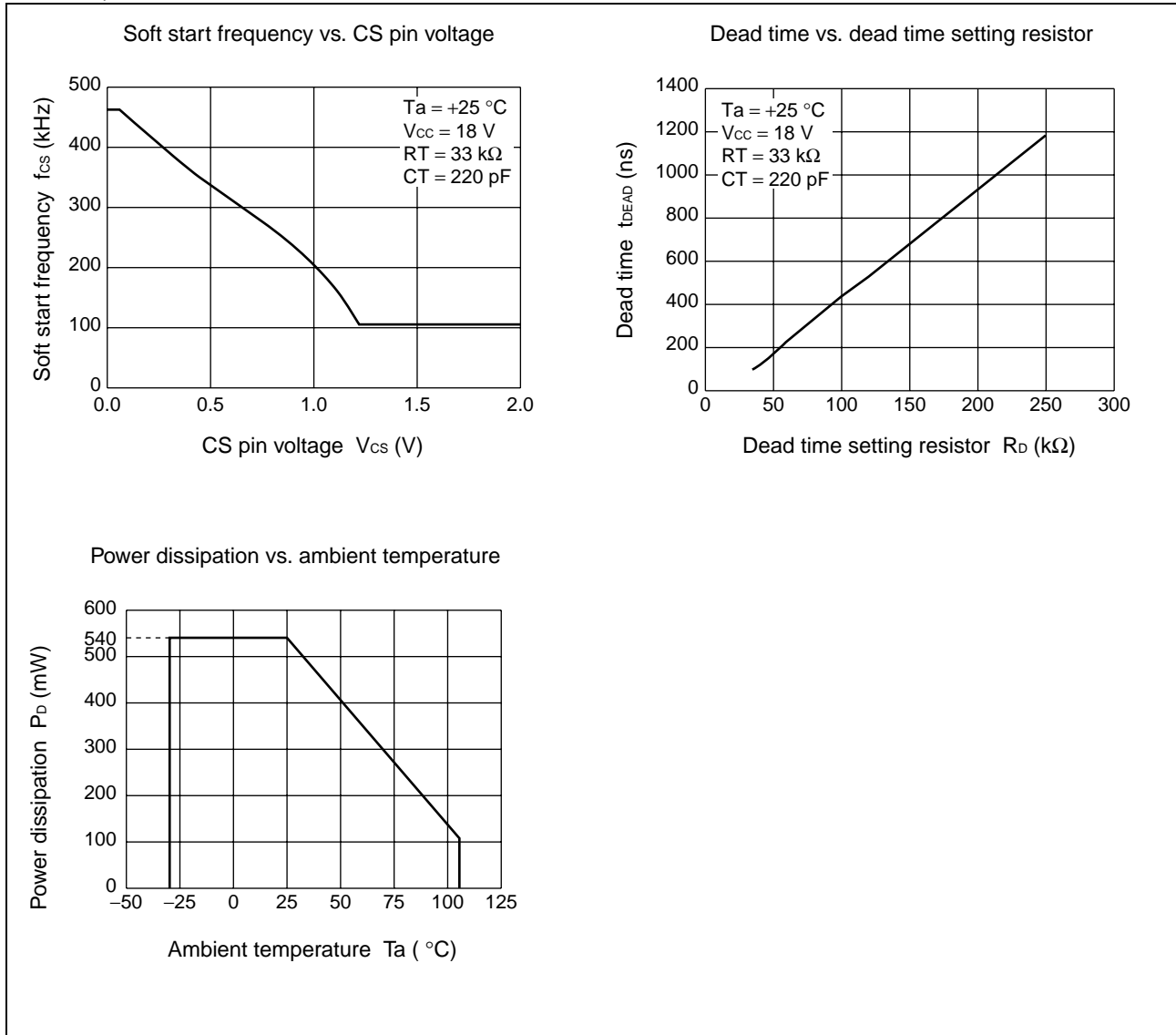
(Continued)

(Continued)



(Continued)

(Continued)



■ FUNCTIONAL DESCRIPTION

1. Switching Regulator Function

(1) Reference voltage circuit (Ref)

The reference voltage circuit takes the voltage from the Vcc terminal (pin 11) and generates a temperature-compensated reference voltage ($\approx 8V$), which is used as the reference voltage supply for the IC internal circuit bias and detection comparator.

A reference voltage can be output from the VREF terminal (pin 10) at levels up to 10mA.

(2) Triangular-wave oscillator circuit (OSC)

This circuit is used to generate a triangular oscillator waveform, by connecting timing capacitor and resistor to the CT terminal (pin 2) and RT terminal (pin 1) respectively. The triangular waveform frequency f_{osc1} is set according to the timing capacitor and resistor.

The triangular oscillator waveform is input to the IC's internal dead time timing circuit (One-Shot-DTC), and can be output from the CT terminal.

(3) Oscillator frequency control circuit (OSC Control)

The oscillator control circuit detects the AC/DC converter output voltage and outputs the PFM control signal to the triangular wave oscillator. The FB terminal (pin 5) carries the AC/DC converter output voltage at the V/I converted OSC control current. When an overload occurs, the detection signal to the overload detection circuit (OCP Comp.) is also output here.

(4) Dead time timing circuit (One-Shot-DTC)

The dead time timing circuit converts the triangular waveform generated by the triangular wave oscillator to a rectangular wave having a pulse width ($=$ dead time t_{DEAD}) set by the dead time setup resistor that is connected to the RD terminal (pin 3).

(5) Output circuit (Drive)

The output circuit has totem pole configuration, and outputs the PFM signal from the OUT terminal (pin 8). The output circuit power is supplied from the Vcc (O) terminal (pin 9).

2. Protective Function

(1) Undervoltage lockout circuit (UVLO)

Power-on surges and momentary drops in power supply voltage can cause errors in control IC operation, which can destroy or damage systems. To prevent the error operation, the UVLO Comp.1 circuit detects low voltage conditions in the supply voltage (Vcc), and sets the VREF terminal (pin 10) to "L" level. The UVLO Comp.2 circuit detects low voltage conditions in the reference voltage, and sets the OUT pin (pin 8) to "L" level.

Overvoltage/overload/over temperature conditions cause the error detection latch (Latch) to be set. If the VREF terminal (pin 10) is set to "L" level, and the supply voltage falls below the UVLO circuit threshold voltage (VTHL), the UVLO Comp.1 resets the error detection latch. Operation is restored when the power supply voltage returns above the threshold voltage (VTHL) of the UVLO circuit.

The threshold voltage can be set to any desired level by connecting resistor between the ENB terminal (pin 12) and GND terminal (pin 7), or between the ENB terminal (pin 12) and Vcc terminal (pin 11) (for internal resistance constants see "BLOCK DIAGRAM").

(2) Overvoltage detection comparator 1 (OVP Comp. 1)

When the input voltage at the OVP terminal (pin 14) is greater than the threshold voltage ($\approx 2.5V$), the overvoltage comparator 1 sets the error detection latch, and sets the VREF terminal (pin 10) and OUT terminal (pin 8) to "L" level.

Note that if OVP Comp.1 is not used, the OVP terminal (pin 14) should be shorted to GND by the shortest path (see "PROCESSING WHEN OVP PIN IS NOT USED").

(3) Overvoltage detection comparator 2 (OVP Comp.2)

When the input voltage at the +IN terminal (pin 15) is greater than the input voltage at the -IN terminal (pin 16), the CS terminal is set to “L” level causing the frequency to increase. When the +IN input voltage falls below the -IN input voltage, soft start processing is performed to restart operation. Overvoltage detection comparator 2 does not provide the same latch operation as OVP Comp.1.

Note that if OVP Comp.2 is not used, the +IN terminal (pin 15) should be shorted to GND, and the -IN terminal (pin 16) should be connected to the VREF terminal (pin 10) by the shortest path (see “PROCESSING WHEN OVERVOLTAGE DETECTION COMPARATOR 2 IS NOT USED”).

(4) Overload detection comparator circuit (OCP Comp.)

When an overload occurs, the OCP Comp. circuit detects the overload signal output by the oscillator frequency control circuit, and after a given interval sets the error detection latch and sets the VREF terminal (pin 10) and OUT terminal (pin 8) to “L” level. The time interval from overload detection to setting of the error latch is determined by the delay interval setting capacitor connected to the CD terminal (pin 4).

Note that if the overload detection function is not used, the CD terminal (pin 4) should be shorted to GND by the shortest path (see “PROCESSING WHEN THE CD PIN IS NOT USED”).

(5) Overtemperature detection comparator (OTP Comp.)

The over temperature detection comparator detects the input voltage at the OTP terminal (pin 13) and if greater than the threshold voltage ($\approx 0.98V$) sets the error detection latch, and sets the VREF terminal (pin 10) and OUT terminal (pin 8) to “L” level.

Note that if the overtemperature detection function is not used, the OTP terminal (pin 13) should be shorted to GND by the shortest path (see “PROCESSING WHEN OTP PIN IS NOT USED”).

3. Soft Start Function

Soft Start Circuit (CS)

The MB3873 oscillator frequency control circuit includes an on-chip soft start circuit. Soft starting can be provided by connecting a capacitor to the CS terminal (pin 6). At start up, this causes the PFM control signal to be input to the triangular wave oscillator, thereby controlling the control frequency and preventing current rush.

Note that if the soft start function is not used, the CS terminal (pin 6) should be left open. (See “PROCESSING WHEN CS PIN IS NOT USED.”)

■ SETTING THE OSCILLATOR FREQUENCY

The oscillator frequency is set by the timing capacitor C_T and timing resistor R_T connected to the CT pin and RT pin respectively.

Oscillator frequency f_{osc} (when frequency control is not exerted by the FB, CS pins)

$$f_{osc} [\text{kHz}] \approx \frac{7.6 \times 10^5}{C_T [\text{pF}] \times R_T [\text{k}\Omega]}$$

■ SETTING THE DEAD TIME

The dead time is set by the dead time resistor R_D connected to the RD pin.

Dead time (output pin square wave pulse width)

$$t_{DEAD} [\text{ns}] \approx 4.8 \times R_D [\text{k}\Omega] - 44$$

■ SETTING THE SOFT START TIME

When the MB3873 is started, the soft start capacitor (C_s) connected to the CS terminal begins charging. While the CS terminal voltage is ≈ 0 to 1.1V, the oscillator frequency is controlled by the CS terminal voltage, thereby controlling the output voltage.

The soft start capacitor charging current is as follows

ICS1 $\approx 25 \mu\text{A}$ (CS pin voltage ≈ 0 to 1.1V)

ICS2 $\approx 2.5 \mu\text{A}$ (CS pin voltage ≈ 1.1 to 3.1V (CS pin clamp voltage))

Soft start time (time until CS pin voltage reaches 1.1V)

$$t_{cs} [\text{s}] \approx \frac{1.2 \times C_s [\mu\text{F}]}{25 [\mu\text{A}]}$$

■ SETTING THE OVERLOAD DETECTION DELAY TIME

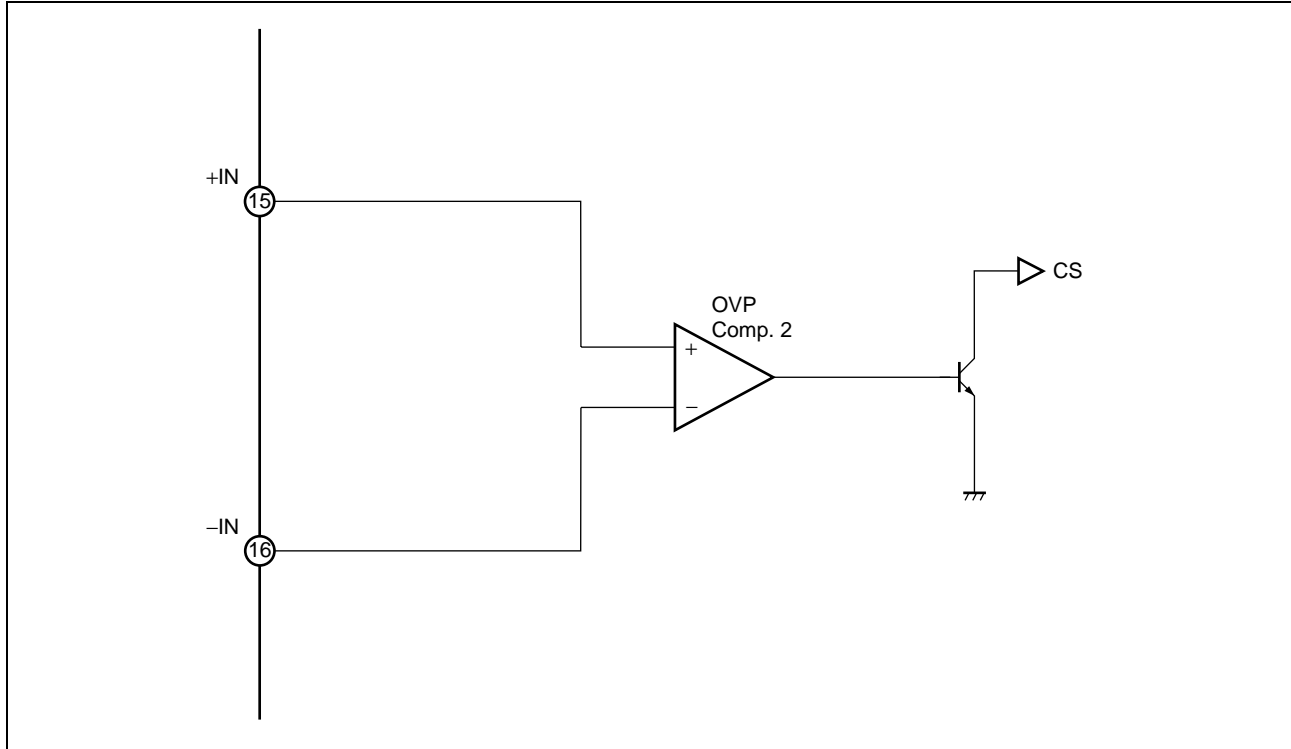
When an overload condition is detected, the delay capacitor (C_D) connected to the CD terminal starts charging ($\approx 10 \mu\text{A}$), increasing the CD terminal voltage.

When the CD terminal voltage exceeds the threshold voltage ($\approx 4\text{V}$), the error detection latch is set, and the VREF terminal (pin 10) and OUT terminal (pin 8) are set to "L" level.

Overload detection delay time (time from overload detection until error latch is set)

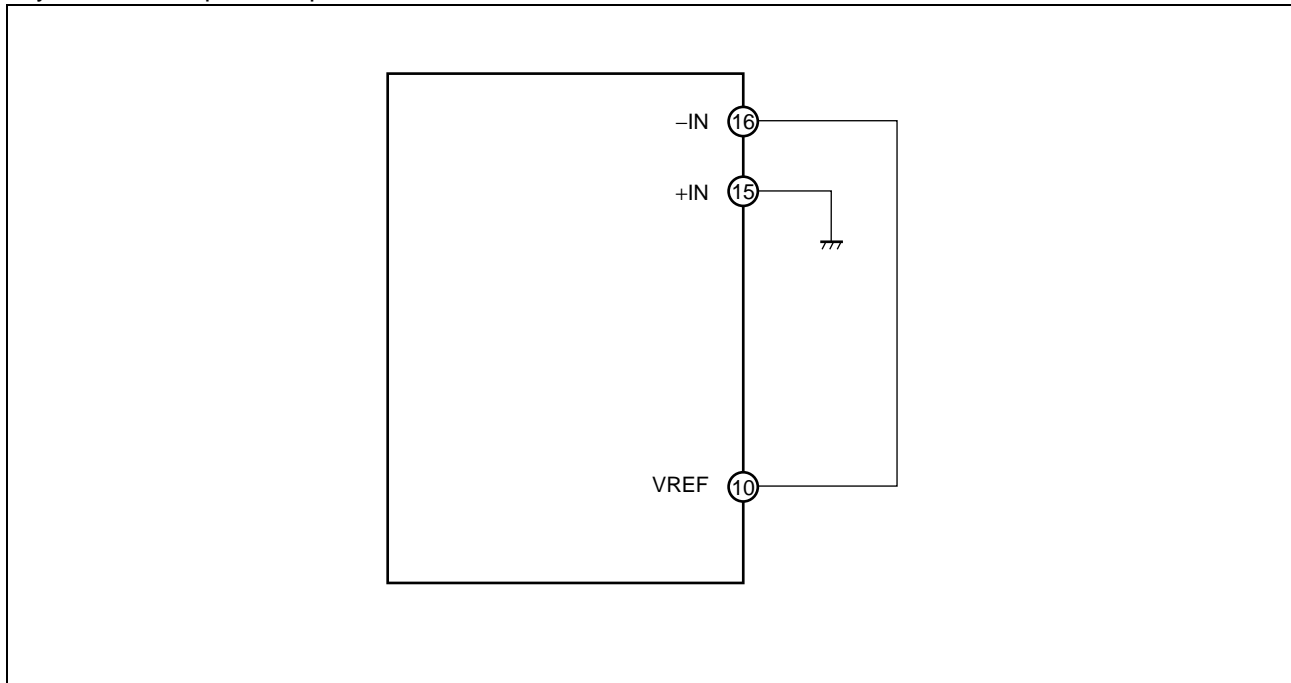
$$t_{cs} [\text{s}] \approx \frac{3.9 \times C_D [\mu\text{F}]}{10 [\mu\text{A}]}$$

OVERVOLTAGE DETECTION COMPARATOR 2 EQUIVALENT CIRCUIT



PROCESSING WHEN OVERVOLTAGE DETECTION COMPARATOR 2 IS NOT USED

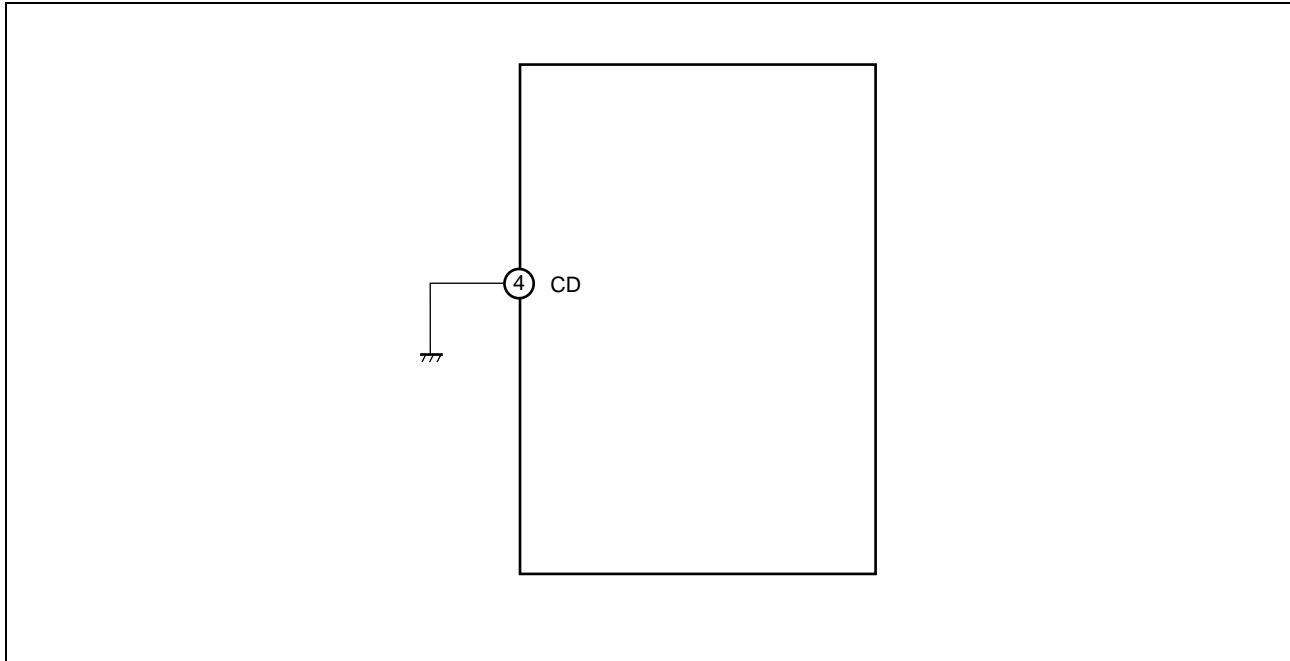
When the overvoltage detection comparator 2 is not used, the +IN terminal (pin 15) should be shorted to GND by the shortest possible path, and the -IN terminal (pin 16) should be connected to the VREF terminal (pin 10) by the shortest possible path.



When overvoltage detection comparator 2 is not used

■ PROCESSING WHEN CD PIN IS NOT USED

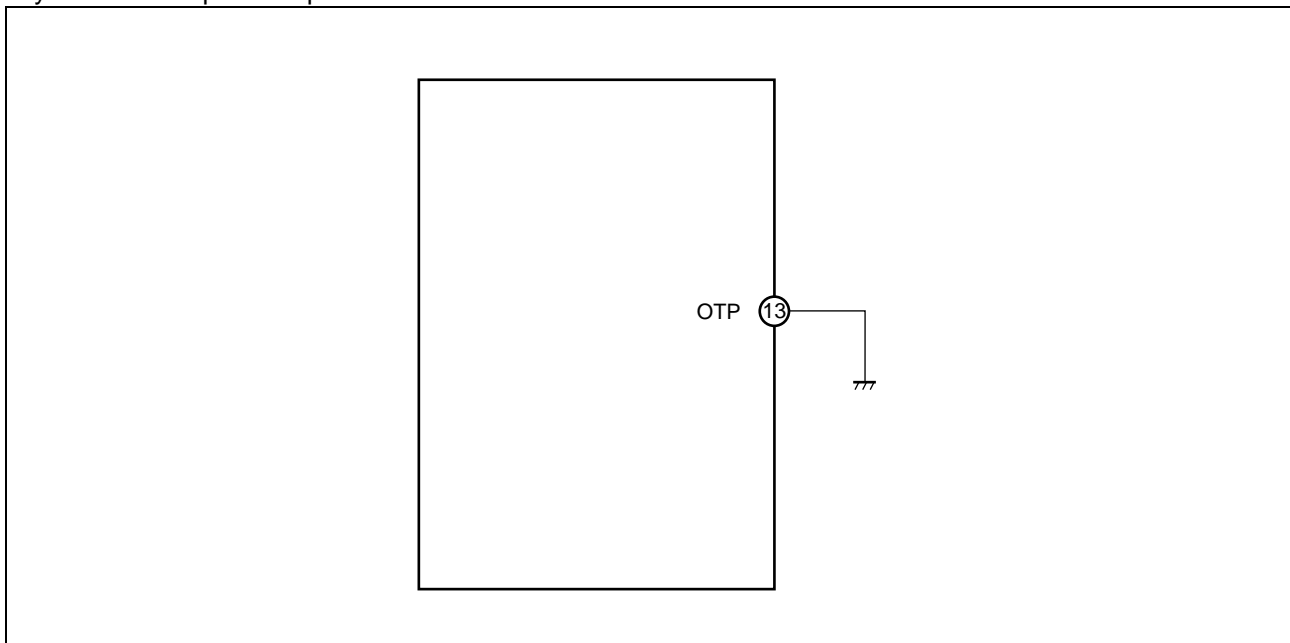
When the overload detection function is not used, the CD terminal (pin 4) should be shorted to GND by the shortest possible path.



When CD pin is not used

■ PROCESSING WHEN OTP PIN IS NOT USED

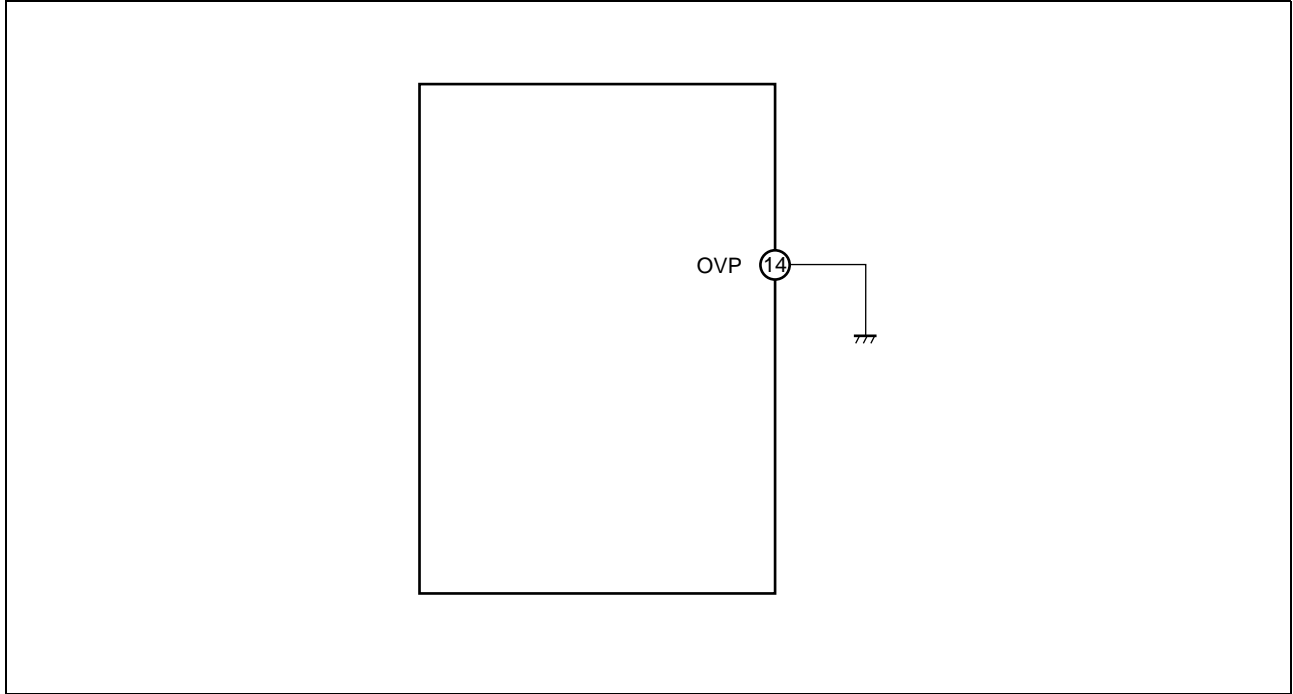
When the over temperature detection function is not used, the OTP terminal (pin 13) should be shorted to GND by the shortest possible path.



When OTP pin is not used

■ PROCESSING WHEN OVP PIN IS NOT USED

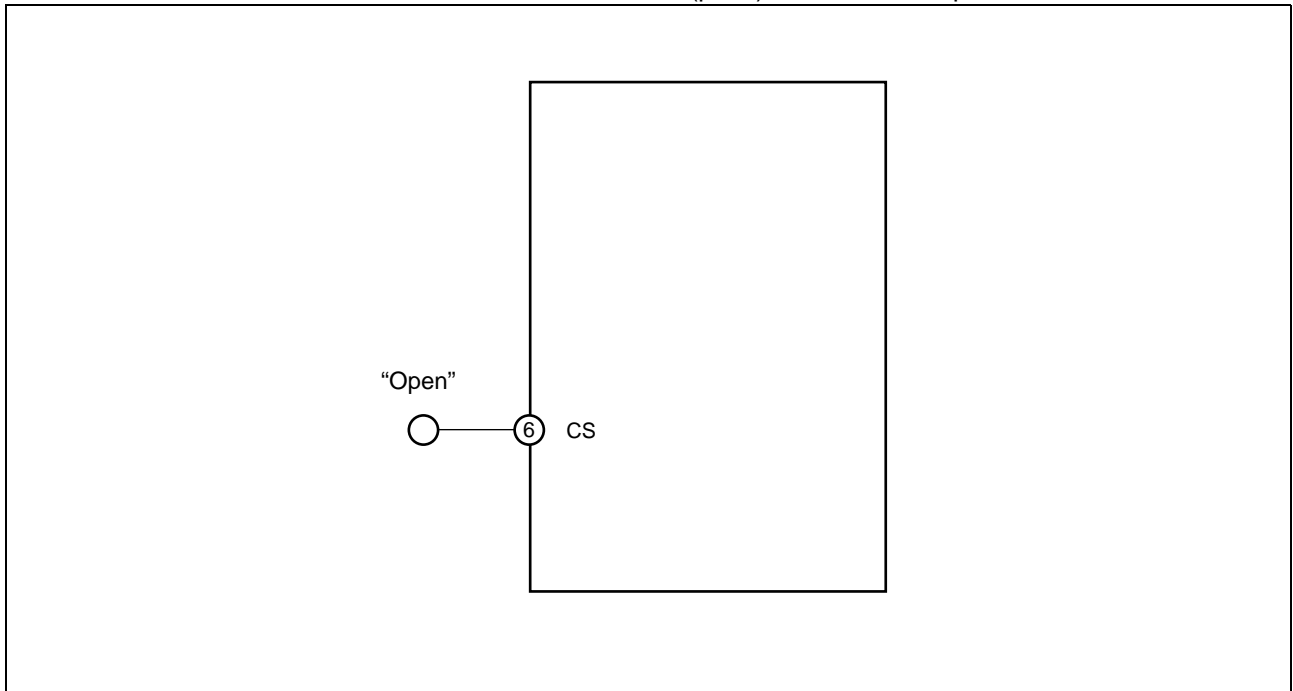
When the overvoltage detection function is not used, the OVP terminal (pin 14) should be shorted to GND by the shortest possible path.



When OVP pin is not used

■ PROCESSING WHEN CS PIN IS NOT USED

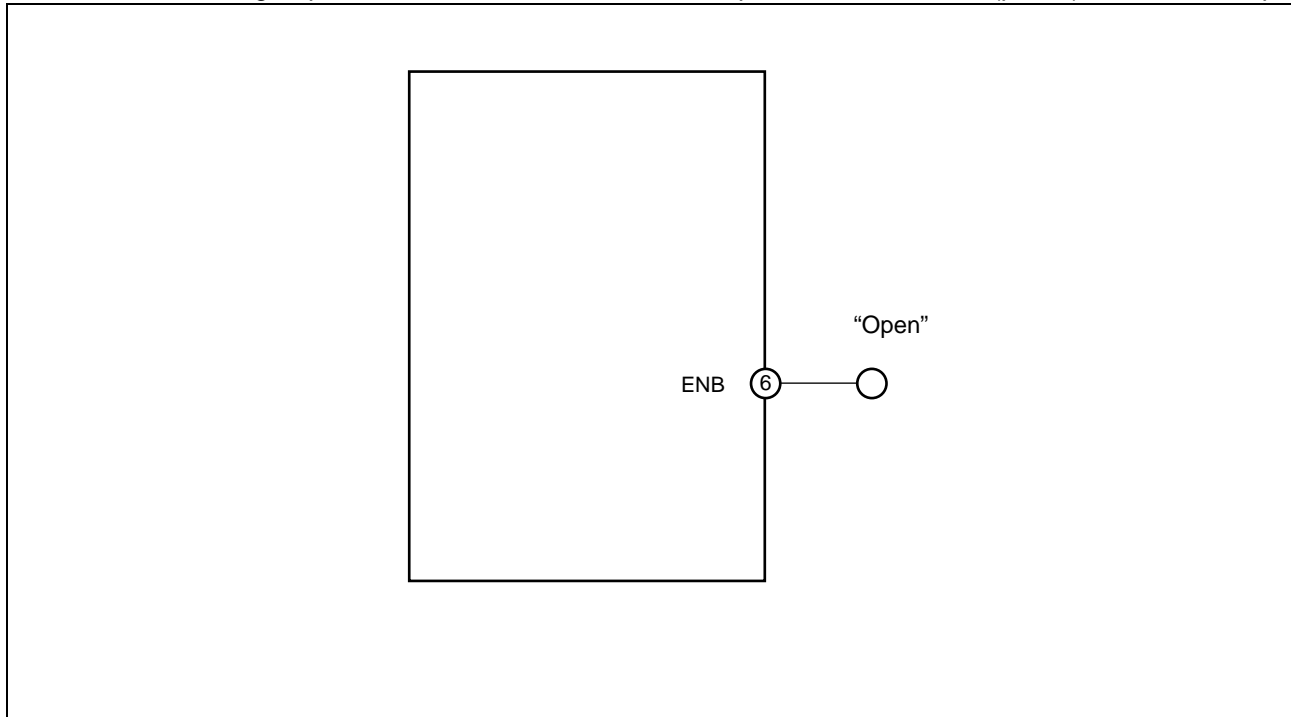
When the soft start function is not used, the CS terminal (pin 6) should be left open.



When the soft start time is not set

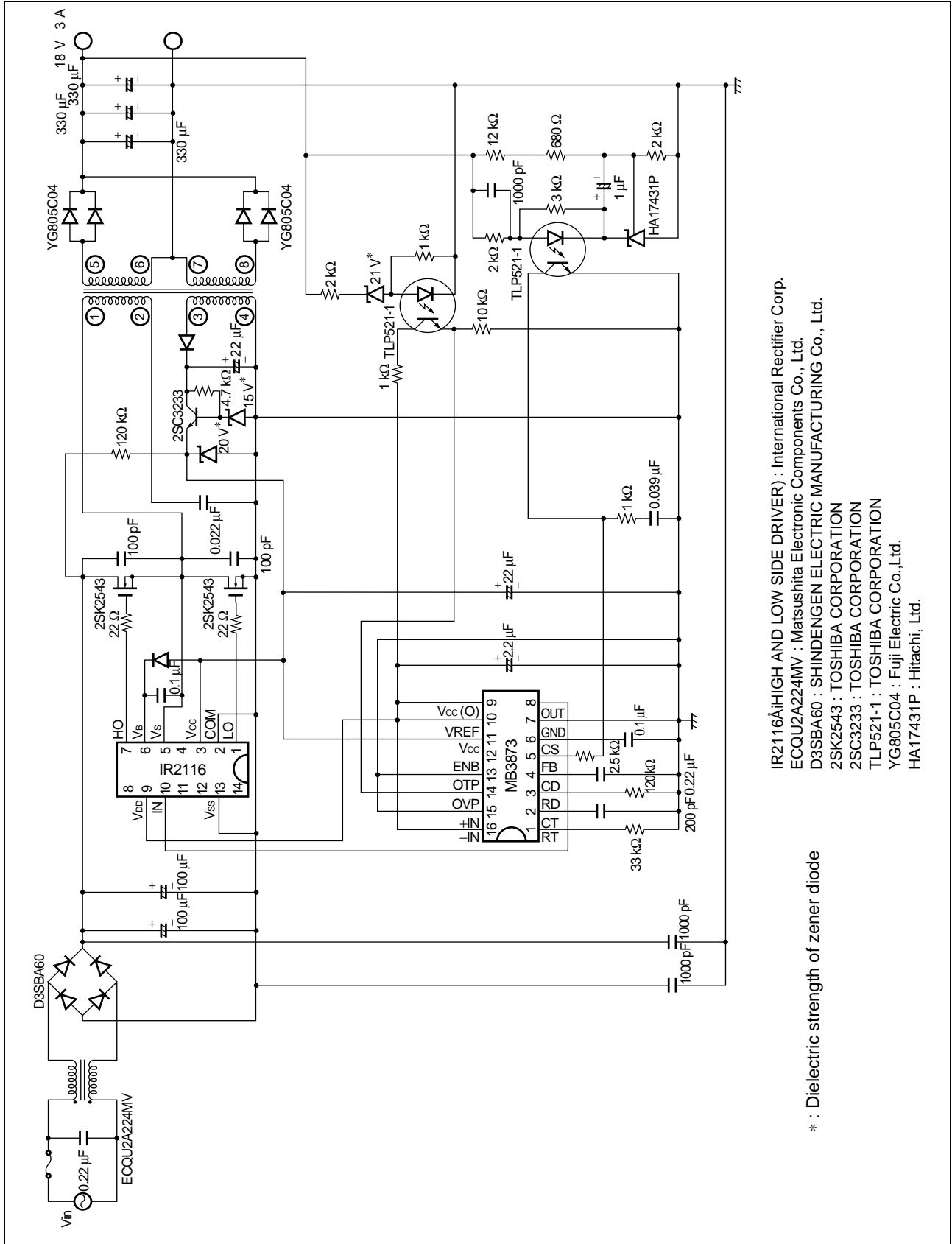
■ PROCESSING WHEN ENB PIN IS NOT USED

When not connecting a specified resistance to the UVLO Comp.1, the ENB terminal (pin 12) should be left open.



When ENB pin is not used

APPLICATION EXAMPLE

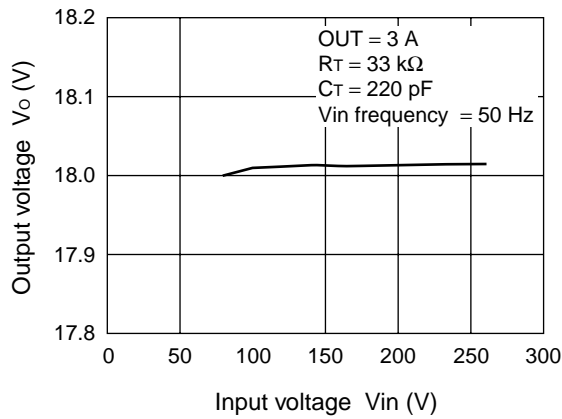


- IR2116(HIGH AND LOW SIDE DRIVER) : International Rectifier Corp.
- ECQU2A224MV : Matsushita Electronic Components Co., Ltd.
- D3SBA60 : SHINDENGEN ELECTRIC MANUFACTURING Co., Ltd.
- 2SK2543 : TOSHIBA CORPORATION
- 2SC3233 : TOSHIBA CORPORATION
- TLP521-1 : TOSHIBA CORPORATION
- YG805C04 : Fuji Electric Co.,Ltd.
- HA17431P : Hitachi, Ltd.

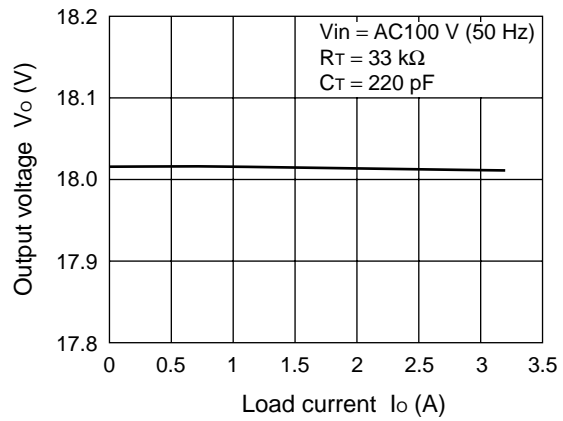
* : Dielectric strength of zener diode

REFERENCE DATA

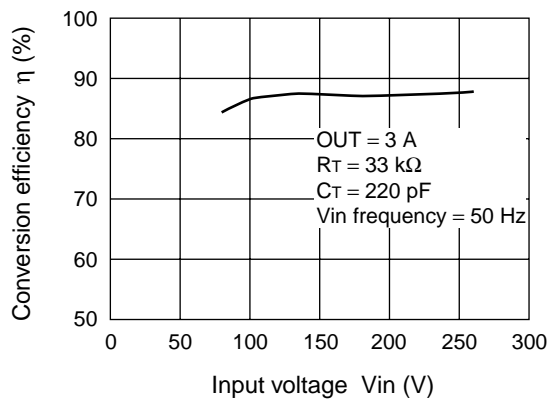
Output voltage vs. input voltage (Output voltage = 18 V)



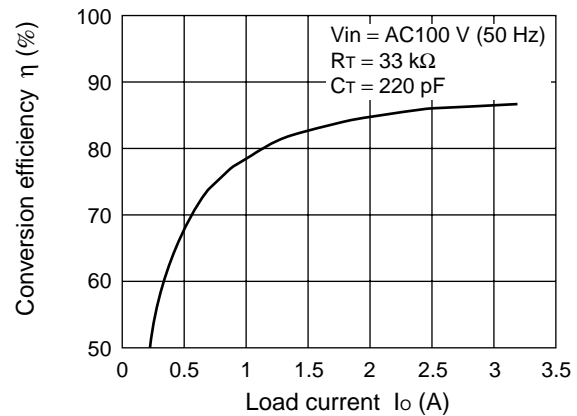
Output voltage vs. load current (Output voltage = 18 V)



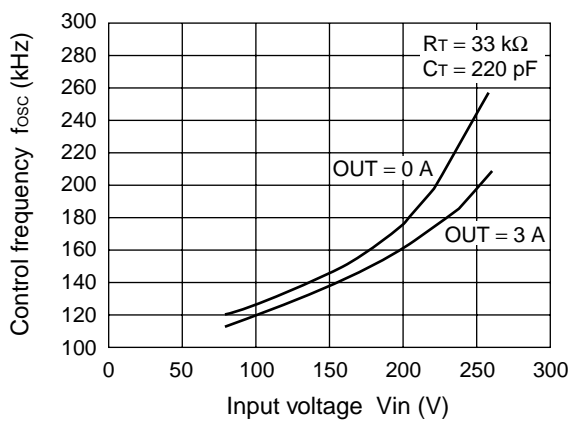
Conversion efficiency vs. input voltage (Output voltage = 18 V)



Conversion efficiency vs. load current (Output voltage = 18 V)



Control frequency vs. input voltage (Output voltage = 18 V)



MB3873

■ USAGE PRECAUTIONS

1. Never use settings exceeding maximum rated conditions.

Exceeding maximum rated conditions may cause permanent damage to the LSI. Also, it is recommended that recommended operating conditions be observed in normal use. Exceeding recommended operating conditions may adversely affect LSI reliability.

2. Use this device within recommended operating conditions.

Recommended operating conditions are values within which normal LSI operation is warranted. Standard electrical characteristics are warranted within the range of recommended operating conditions and within the listed conditions for each parameter.

3. Printed circuit board ground lines should be set up with consideration for common impedance.

4. Take appropriate static electricity measures.

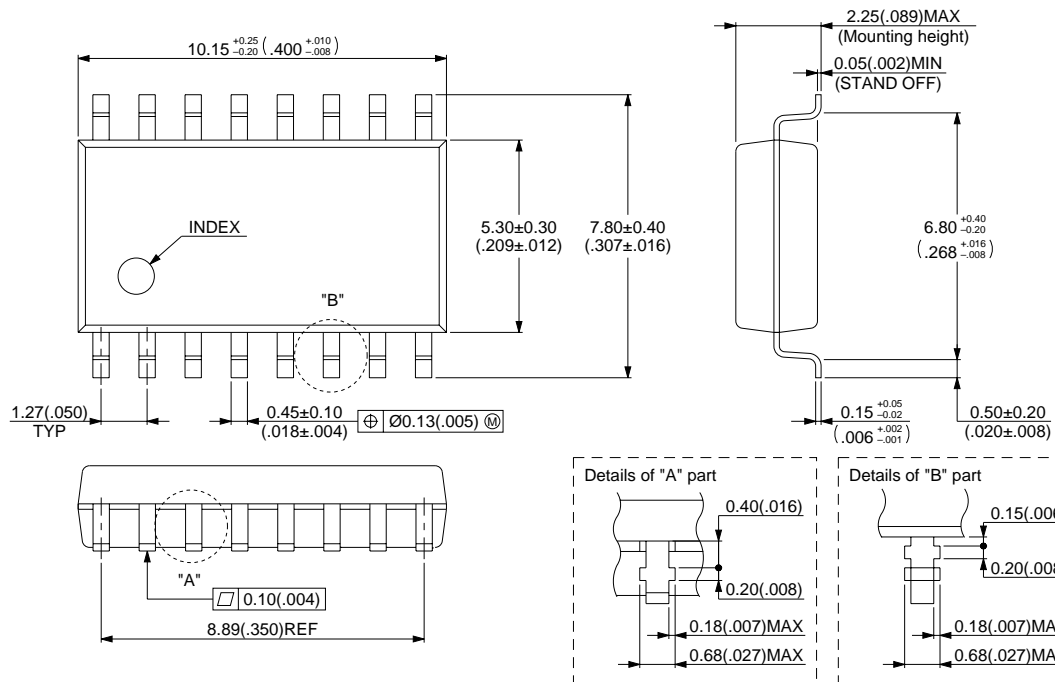
- Containers for semiconductor materials should have anti-static protection or be made of conductive material.
- After mounting, printed circuit boards should be stored and shipped in conductive bags or containers.
- Work platforms, tools, and instruments should be properly grounded.
- Working personnel should be grounded with resistance of 250 k Ω to 1 M Ω between body and ground.

■ ORDERING INFORMATION

Part number	Package	Remarks
MB3873PF	16-pin plastic SOP (FPT-16P-M06)	

■ PACKAGE DIMENSION

16-pin Plastic SOP
(FPT-16P-M06)



© 1994 FUJITSU LIMITED F16015S-2C-4

Dimension in mm (inches)

FUJITSU LIMITED

For further information please contact:

Japan

FUJITSU LIMITED
Corporate Global Business Support Division
Electronic Devices
KAWASAKI PLANT, 4-1-1, Kamikodanaka
Nakahara-ku, Kawasaki-shi
Kanagawa 211-8588, Japan
Tel: 81(44) 754-3763
Fax: 81(44) 754-3329

<http://www.fujitsu.co.jp/>

North and South America

FUJITSU MICROELECTRONICS, INC.
Semiconductor Division
3545 North First Street
San Jose, CA 95134-1804, USA
Tel: (408) 922-9000
Fax: (408) 922-9179

Customer Response Center
Mon. - Fri.: 7 am - 5 pm (PST)
Tel: (800) 866-8608
Fax: (408) 922-9179

<http://www.fujitsumicro.com/>

Europe

FUJITSU MIKROELEKTRONIK GmbH
Am Siebenstein 6-10
D-63303 Dreieich-Buchsschlag
Germany
Tel: (06103) 690-0
Fax: (06103) 690-122

<http://www.fujitsu-edc.com/>

Asia Pacific

FUJITSU MICROELECTRONICS ASIA PTE LTD
#05-08, 151 Lorong Chuan
New Tech Park
Singapore 556741
Tel: (65) 281-0770
Fax: (65) 281-0220

<http://www.fmap.com.sg/>

F9906

© FUJITSU LIMITED Printed in Japan

All Rights Reserved.

The contents of this document are subject to change without notice. Customers are advised to consult with FUJITSU sales representatives before ordering.

The information and circuit diagrams in this document are presented as examples of semiconductor device applications, and are not intended to be incorporated in devices for actual use. Also, FUJITSU is unable to assume responsibility for infringement of any patent rights or other rights of third parties arising from the use of this information or circuit diagrams.

FUJITSU semiconductor devices are intended for use in standard applications (computers, office automation and other office equipment, industrial, communications, and measurement equipment, personal or household devices, etc.).

CAUTION:

Customers considering the use of our products in special applications where failure or abnormal operation may directly affect human lives or cause physical injury or property damage, or where extremely high levels of reliability are demanded (such as aerospace systems, atomic energy controls, sea floor repeaters, vehicle operating controls, medical devices for life support, etc.) are requested to consult with FUJITSU sales representatives before such use. The company will not be responsible for damages arising from such use without prior approval.

Any semiconductor devices have an inherent chance of failure. You must protect against injury, damage or loss from such failures by incorporating safety design measures into your facility and equipment such as redundancy, fire protection, and prevention of over-current levels and other abnormal operating conditions.

If any products described in this document represent goods or technologies subject to certain restrictions on export under the Foreign Exchange and Foreign Trade Law of Japan, the prior authorization by Japanese government will be required for export of those products from Japan.