

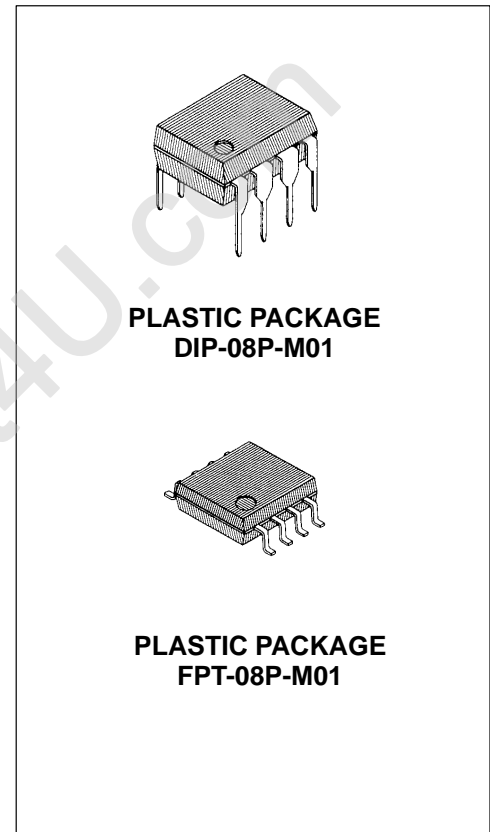
# MB501LV/504LV

## LOW VOLTAGE/LOW POWER TWO MODULUS PRESCALERS

### LOW VOLTAGE/LOW POWER TWO MODULUS PRESCALERS

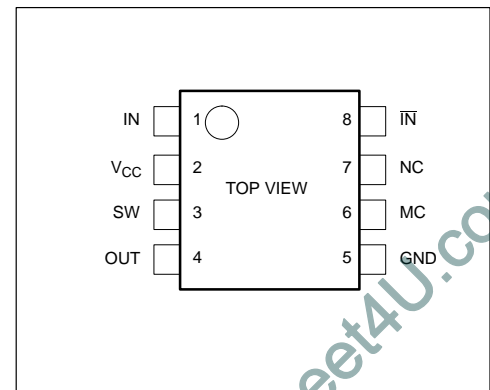
The Fujitsu MB501LV/504LV are low power and low voltage versions of MB501/504, two modulus prescalers used with a frequency synthesizer to make a Phase Locked Loop (PLL). They will divide the input frequency by the modulus of 64/65 or 128/129 for the MB501LV, and 32/33 or 64/65 for the MB504LV. The output level is 1.1V peak to peak on ECL level.

- Wide Low Voltage Operation     3.0V typ., +2.7 to 4.5V
- High Frequency Operation, Low Power Operation ( $V_{IN} = -12\text{dBm min.}$ )  
     1.1 GHz at 36mW typ. (MB501LV)  
     520MHz at 18mW typ. (MB504LV)
- Pulse Swallow Function
- Wide Operation Temperature      $T_A = -40^\circ\text{C to } +85^\circ\text{C}$
- Stable Output Amplitude          $V_{OUT} = 1.1\text{Vp-p typ.}$
- Built-in a termination resistor  
     Stable output amplitude is obtained up to output load capacitance of 8pF.
- Complete PLL synthesizer circuit with the Fujitsu MB87001A, PLL synthesizer IC
- Plastic 8-pin Standard Dual-In-Line Package or space saving Flat Package



### ABSOLUTE MAXIMUM RATINGS (see NOTE)

Rating	Symbol	Value	Unit
Supply Voltage	$V_{CC}$	-0.5 to +7.0	V
Input Voltage	$V_{IN}$	-0.5 to + $V_{CC}$	V
Output Current	$I_O$	10	mA
Storage Temperature	$T_{STG}$	- 55 to +125	$^\circ\text{C}$



Note: Permanent device damage may occur if the above **Absolute Maximum Ratings** are exceeded. Functional operation should be restricted to the conditions as detailed in the operational sections of this data sheet. Exposure to absolute maximum rating conditions for extended periods may affect device reliability.

This device contains circuitry to protect the inputs against damage due to high static voltages or electric fields. However, it is advised that normal precautions be taken to avoid application of any voltage higher than maximum rated voltages to this high impedance circuit.

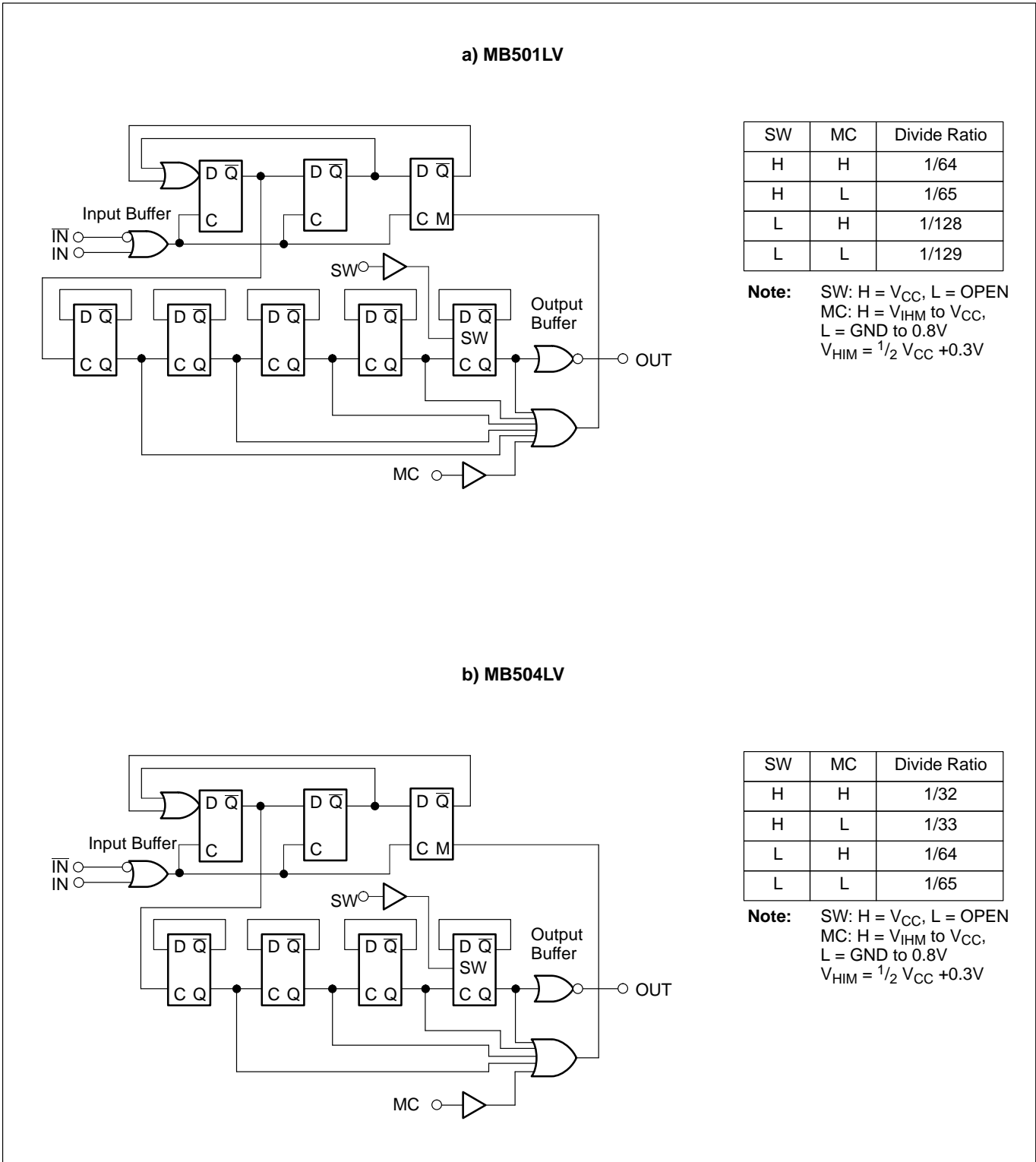


Figure 1. Block Diagrams

## PIN DESCRIPTION

Pin Number	Symbol	Function
1	IN	Input
2	V <sub>CC</sub>	DC Supply Voltage
3	SW	Divide Ratio Control Input (See Divide Ratio Table)
4	OUT	Output
5	GND	Ground
6	MC	Modulus Control Input (See Divide Ratio Table)
7	NC	Non Connection
8	$\overline{\text{IN}}$	Complementary Input

## RECOMMENDED OPERATING CONDITIONS

Parameter	Symbol	Value			Unit
		Min.	Typ.	Max.	
Supply Voltage	V <sub>CC</sub>	2.7	3.0	4.5	V
Output Current	I <sub>O</sub>		1.2		mA
Ambient Temperature	T <sub>A</sub>	-40		+85	°C
Load Capacitance	C <sub>L</sub>			8	pF

## ELECTRICAL CHARACTERISTICS

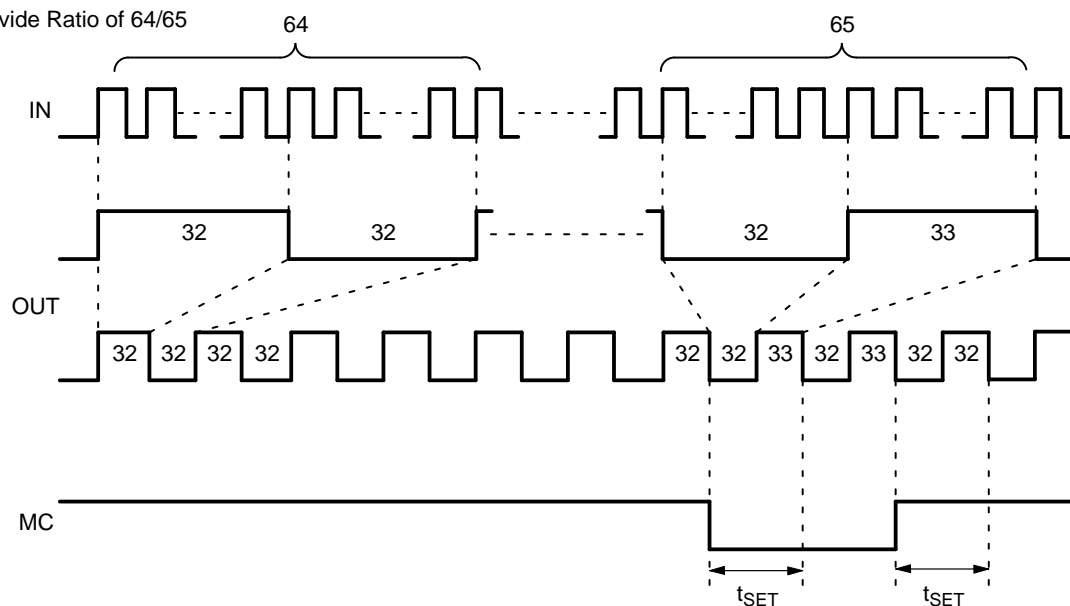
(Recommended Operating Conditions unless otherwise noted)

Parameter		Symbol	Conditions	Value			Unit
				Min.	Typ.	Max.	
Power Supply Current	MB501LV	$I_{CC}$	$V_{CC} = 3.0V$		12		mA
	MB504LV				6		mA
Output Amplitude		$V_O$		0.8	1.1		$V_{P-P}$
Input Frequency	MB501LV	$f_{IN}$	With input coupling capacitor 1000pF	10		1100	MHz
	MB504LV			10		520	MHz
Input Signal Amplitude		$P_{IN}$		-12		5.5	dBm
High Level Input Voltage for MC Input		$V_{IHM}$	$V_{IHM} = 1/2 V_{CC} + 0.3$	$V_{IHM}$			V
Low Level Input Voltage for MC Input		$V_{ILM}$				0.8	V
High Level Input Voltage for SW Input		$V_{IHS}^*$		$V_{CC} - 0.1$	$V_{CC}$	$V_{CC} + 0.1$	V
Low Level Input Voltage for SW Input		$V_{ILS}$		OPEN			V
High Level Input Current for MC Input		$I_{IHM}$	$V_{IH} = 2.0V$			0.4	mA
Low Level Input Current for MC Input		$I_{ILM}$	$V_{IL} = 0.8V$	-0.2			mA
Modulus Set-up Time MC to OUT	MB501LV	$t_{SET}$			16	26	ns
	MB504LV				18	28	ns

**Note:** \* Design Guarantee

### MB501LV TIMING CHART (2 MODULUS)

Example: Divide Ratio of 64/65

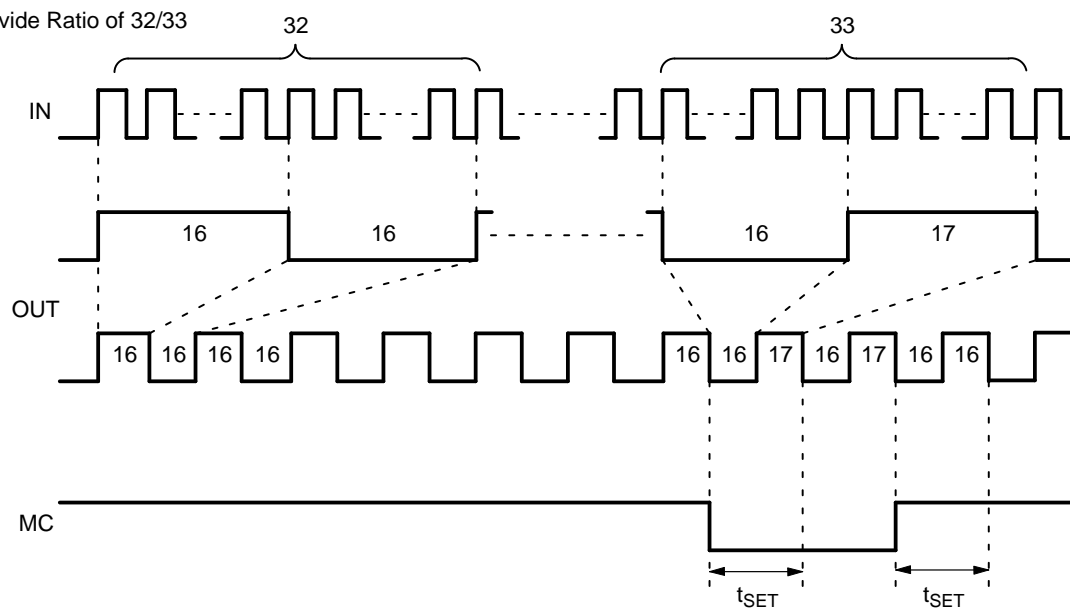


**Notes:**

When divide ratio of 65 is selected, positive pulse is added by one to 33.  
The typical set up time is 16ns from MC signal input to the timing of change of prescaler divide ratio.

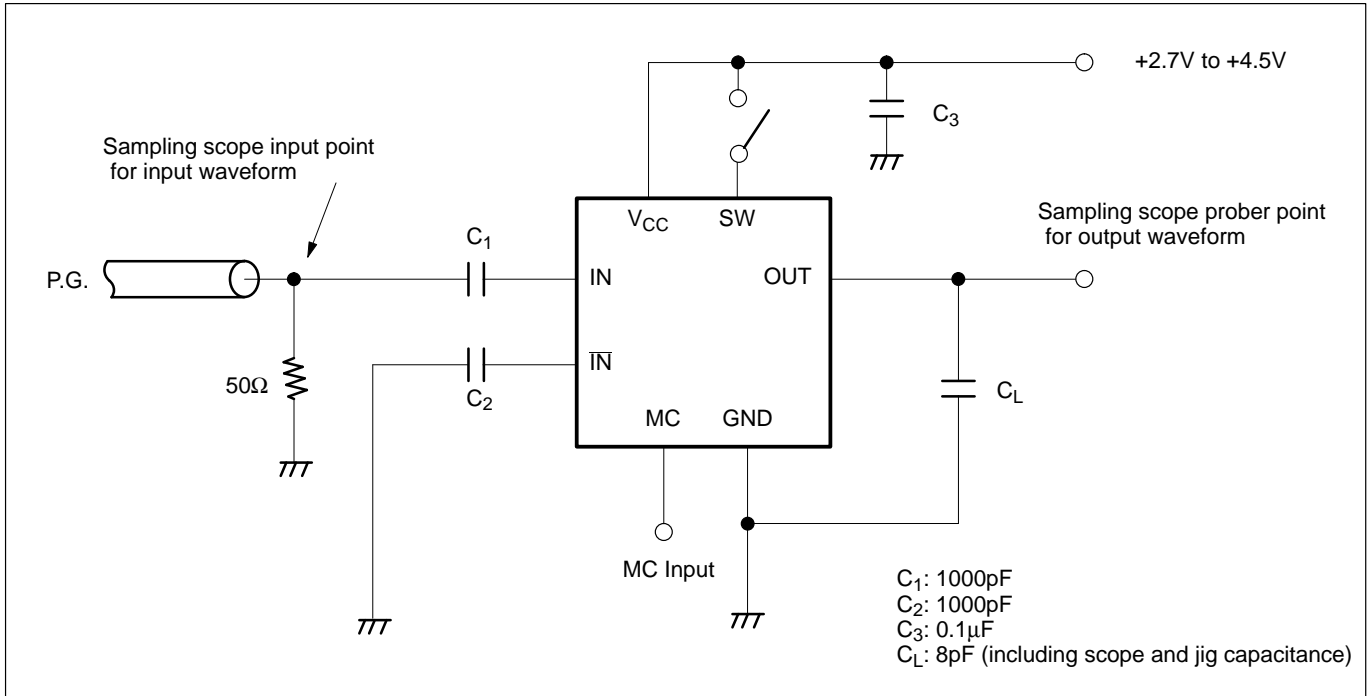
### MB504LV TIMING CHART (2 MODULUS)

Example: Divide Ratio of 32/33



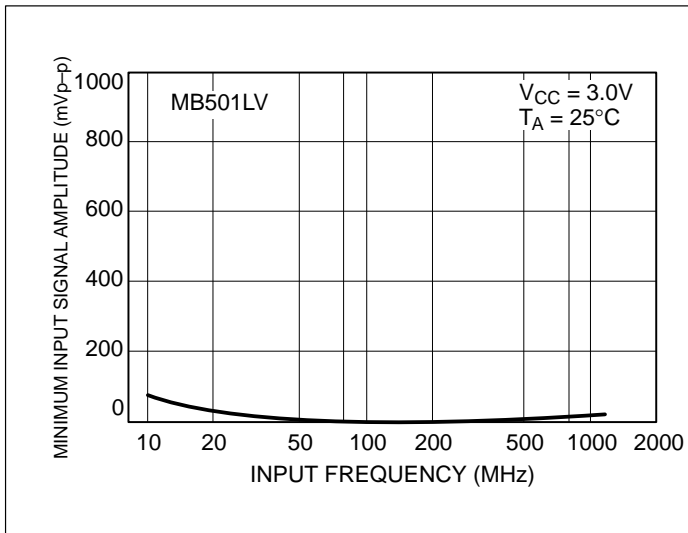
**Notes:**

When divide of 33 is selected, positive pulse is added by one to 17.  
The typical set up time is 18ns from MC signal input to the timing of change of prescaler divide ratio.

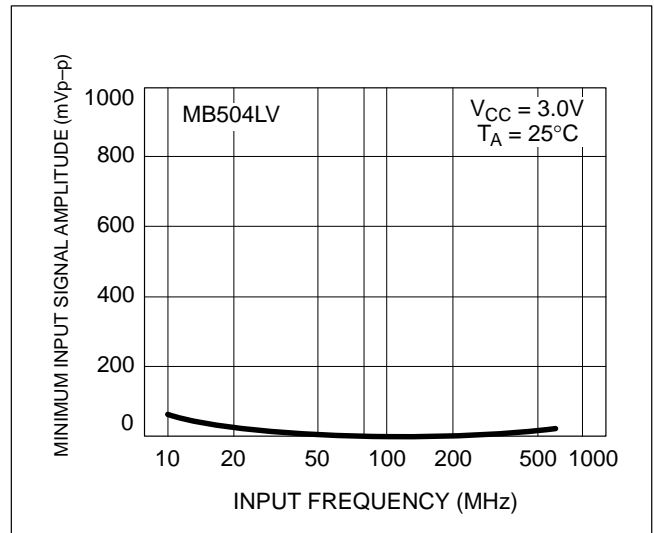


**Figure 2. Test Circuit**

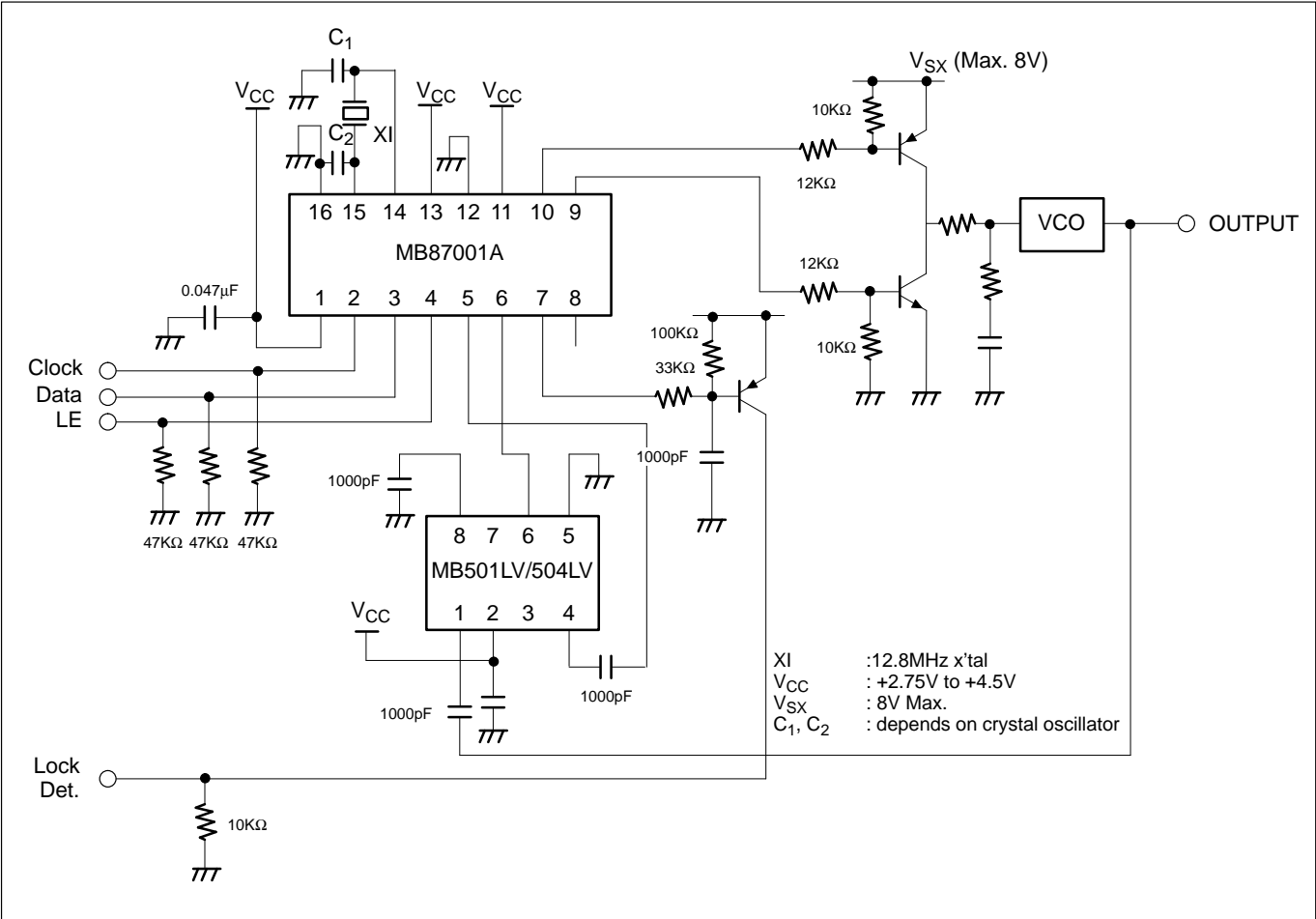
**TYPICAL CHARACTERISTICS CURVES**



**Figure 3. Input Signal Amplitude vs. Input Frequency**



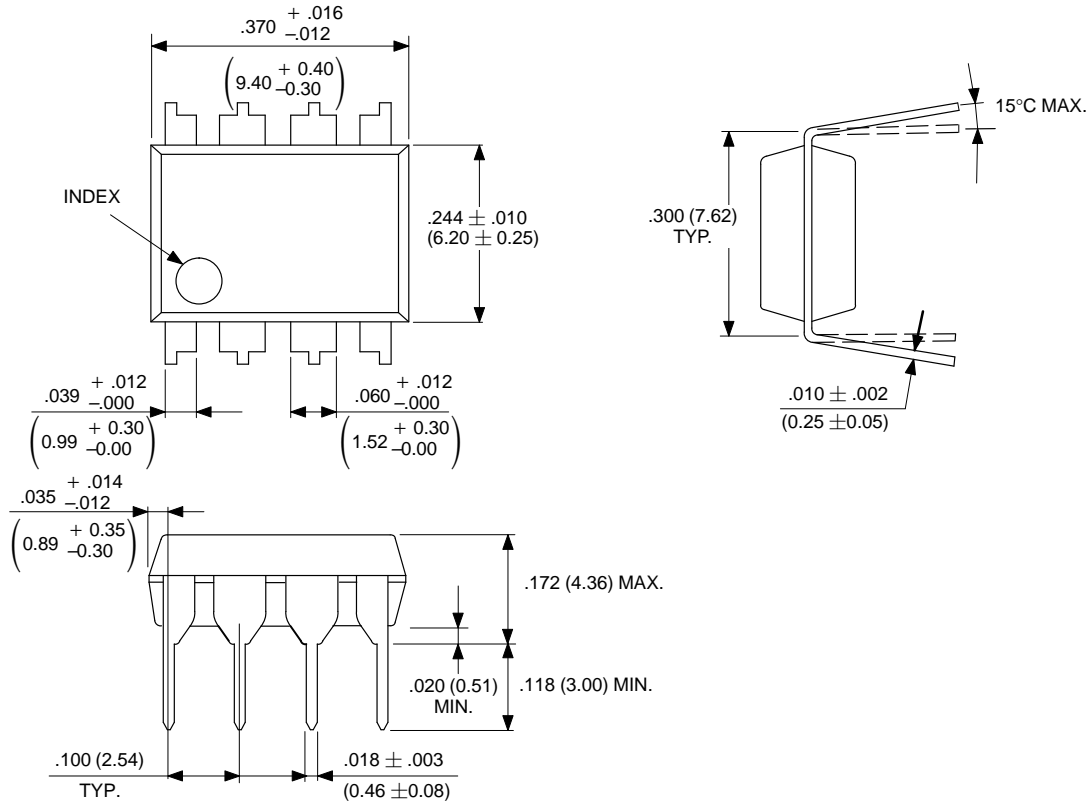
**Figure 4. Input Signal Amplitude vs. Input Frequency**



**Figure 5. Typical Application Example**

PACKAGE DIMENSIONS

8-LEAD PLASTIC DUAL IN-LINE PACKAGE  
 (CASE No.: DIP-08P-M01)

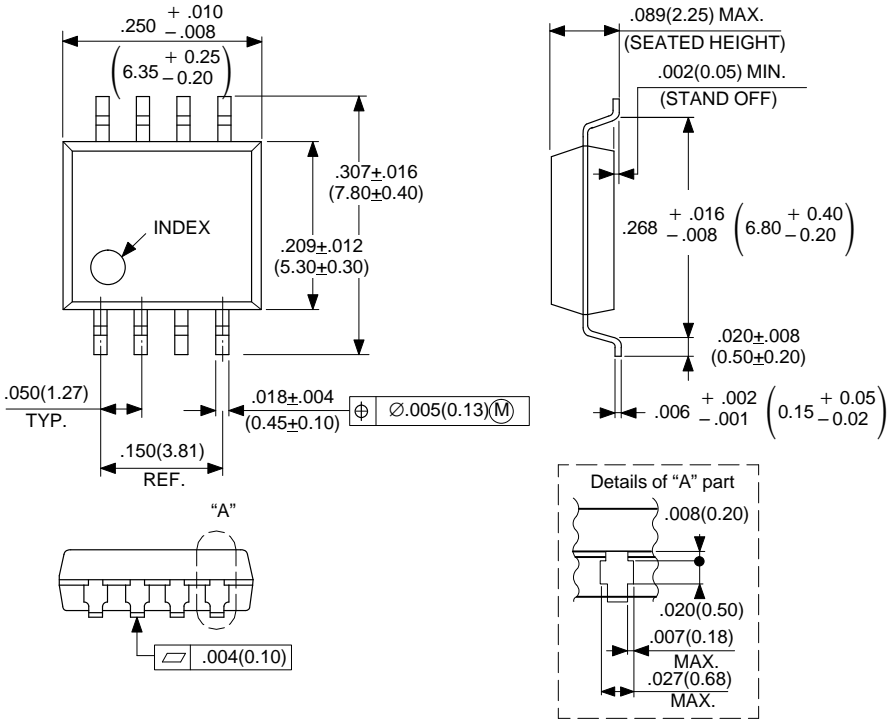


Dimensions in inches (millimeters).



PACKAGE DIMENSIONS (Continued)

8-LEAD PLASTIC FLAT PACKAGE  
(CASE No.: FPT-08P-M01)



Dimensions in inches (millimeters).