
MB86619

IEEE 1394 Serial Bus Controller for DTV

September 2002

Edition 1.00

FME/MM/PP/0902

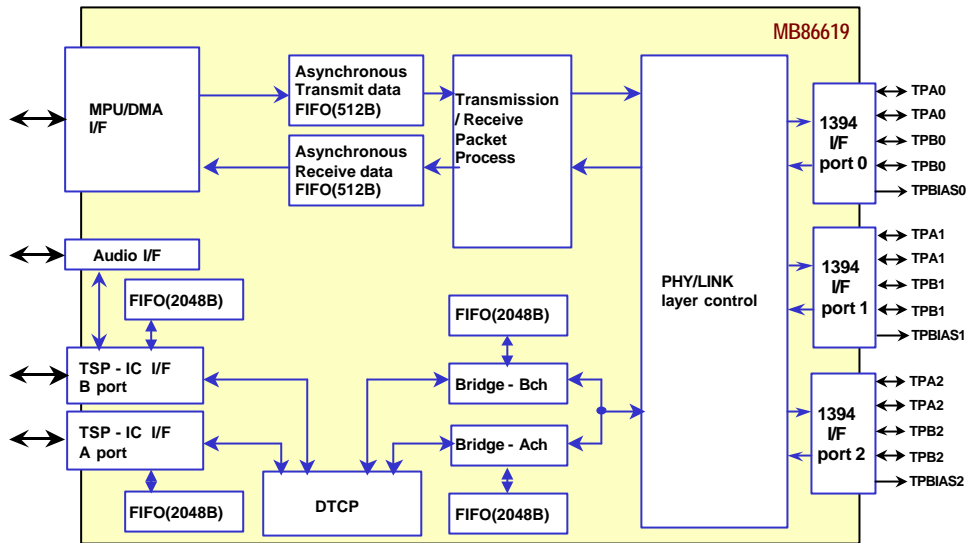
OVERVIEW

The **MB86619** is one member of Fujitsu's 1394 serial bus controller family, compliant with IEEE1394 standard (IEEE Std 1394-1995, 1394a-2000). This controller has two exclusive ports for isochronous transfer (MPEG-TS, DV) and three ports for 1394 network including differential transceivers and compurgators.

The **MB86619** integrates PHY layer, LINK layer and copy protection part (DTCP) supporting 400Mbps data transfer rate. This level of integration let this device aim a significant reduction of board mounting space and power consumption.

FEATURES

- Compliant with IEEE1394-1995 and 1394.a-2000 high speed serial bus standard
- Integrate PHY layer and the LINK layer in the single-chip
- Three 1394 cable ports
- Transfer data rate: S100, S200 and S400
- Supports AV protocol (IEC1883 Part1-7: MPEG-TS, DSS, DV, Audio)
- Supports SBP-2 protocol with read/write chain transfer mode
- Supports Asynchronous serial bus connection
- Isochronous transmit/receive FIFO is 4Kbytes* 2 channels
- Asynchronous transmit/receive FIFO is 512 bytes
- Asynchronous extended transmit/receive FIFO is 2Kbytes
- Automatic separation and picketing for the Isochronous packet header and data
- Two exclusive ports for Isochronous transfer (8 bit bus)
- IEC60958 and three line type input-output port for the audio data transfer.
- Integrate copy protect function compliant with DTCP
- 16bits MPU/DMA common or separate bus interlace
- Power-supply voltage 3.3V for IO and 2.5V for internal logic
- Package LQFP-176 (FPT-176P-M03)



Block Diagramm

Contact Information	Email: multimedia_info@fme.fujitsu.com
----------------------------	--

Worldwide Headquarters

Japan

Tel: +81 3 5322 3347
Fax: +81 3 5322 3386

Fujitsu Limited
Corporate Global Business
Support Division
Electronic Devices
ShinjukuDai-Ichi Seimei Bldg.7-1
Nishinjuku 2-chome, Shinjuku-ku
Tokyo 163-0721
Japan

<http://www.fujitsu.com/>

Asia

Tel: +65 281 0770
Fax: +65 281 0220

Fujitsu Microelectronics Asia
PTE Limited
#05-08, 151 Lorong Chauan
New Tech Park
Singapore 556741

<http://www.fmal.fujitsu.com/>

USA

Tel: +1 408 922 9000
Fax: +1 408 922 9179

Fujitsu Microelectronics Inc.
3545 North First Street
San Jose CA 95134-1804
USA

Tel: +1 800 866 8608
Fax: +1 408 922 9179

Customer Response Center
Mon-Fri: 7am-5pm (PST)

<http://www.fma.fujitsu.com/>

Europe

Tel: +49 6103 6900
Fax: +49 6103 690122

Fujitsu Microelectronics Europe GmbH
Am Siebenstein 6-10
D-63303 Dreieich-Buchsschlag
Germany

<http://www.fme.fujitsu.com/>