

8-bit Proprietary Microcontrollers

CMOS

F²MC-8L MB89051 Series

MB89F051/MB89051

■ DESCRIPTION

The MB89051 series is a general-purpose, single-chip microcontroller that features a compact instruction set and contains a range of peripheral function set and timers, serial interface, a PWM timer, the USB hub function and the USB function. The USB hub function, in particular, supports five down ports (one of them is dedicated to an internal function) allowing them to interface with other USB devices. The microcontrollers also contain one USB function channel to support full speed.

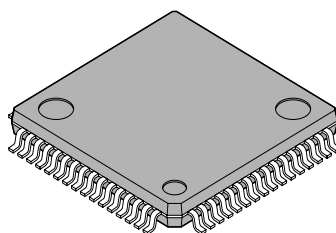
■ FEATURES

- Package type
64-pin LQFP Package (0.65 mm pitch)
- High-speed operations at low voltage
Minimum execution time : 0.33 μ s (Automatically generates a 12 MHz main clock and a 48 MHz USB interface synchronization clock with an externally supplied 6 MHz clock and the internal PLL circuit.)

(Continued)

■ Package

64-pin plastic LQFP



(FPT-64P-M09)

MB89051 Series

- F²MC-8L CPU core
Instruction set that is optimum to the controllers
 - Multiplication and division instructions
 - 16-bit arithmetic operations
 - branch instructions by bit testing
 - bit manipulation instructions, etc.
- PLL clock control
The internal PLL clock circuit allows the use of low-speed clocks which are advantageous to noise characteristics.
(6 MHz externally-supplied clock→12 MHz internal system clock)
- Various timers
8-bit PWM timer (can be used as either 8-bit PWM timer 2 channels or PPG timer 1 channel)
Internal 21-bit timebase timer
- Internal USB transceiver circuit (Compatible with full and low speeds)
- USB hub
USB function Compliant to USB Protocol Revision 1.0
Five downstream port channels (One of these channels is dedicated to a function.)
Automatically responds to all USB protocols by hardware.
Descriptor configuration is provided as ROM data for automatic responding by hardware (Vendor ID and product ID) .
String data is not supported.
Allows switching between BUS power supply and own power supply mode.
Power supply to the USB down port is controlled port by port.
- USB function
USB function Compliant to USB Protocol Revision 1.0
Support for full speed when using hub
Support for both low and full speeds when using function
Allows four endpoints to be specified at maximum.
Types of transfer supported: control/interrupt/bulk/isochronous
Built-in DMAC (Maps the buffer for each endpoint on to the internal RAM to directly access the memory for function's send and receive data.)
- UART/SIO, SIO Serial Interface
Built-in UART/SIO function (selectable by switching) × 1 channel
Built-in SIO (3.3 V) × 2 channels
- I²C interface*1
Supports Philips I²C bus standards
Uses a two-wire data transfer protocol
Master/slave send/receive
- External interrupt
External interrupt (level detection × 7 channels)
Seven inputs are independent of one another and can also be used for resetting from low-power consumption mode (the L-level detection feature available) .
- Clock output functions
Able for 12 MHz*2 and 6 MHz*2 clocks to output. (dedicated pins, 3 V)
- Low power consumption (standby mode supported)
Stop mode (There is almost no current consumption since oscillation stops.)
Sleep mode (This mode stops the running CPU.)

(Continued)

(Continued)

- A maximum of 41 general-purpose I/O ports
General-purpose I/O ports (CMOS) : 37 (7 of 3 V ports)
General-purpose I/O ports (Nch open drain) : 4
- Power supply
Supply voltage: $3.3\text{ V} \pm 0.3\text{ V}$ or $5.0\text{ V} \pm 0.5\text{ V}$
- Operating temperature
 $T_A = -40\text{ }^\circ\text{C}$ to $+85\text{ }^\circ\text{C}$ (When the USB function is not in use.)
 $T_A = 0\text{ }^\circ\text{C}$ to $+70\text{ }^\circ\text{C}$ (When the USB function is in use.)

*1 : I²C license

The customer is licensed to use Philips I²C patent when using this product in an I²C system that complies with the Philips I²C standard specifications.

*2 : When an external supply clock is at 6 MHz.

MB89051 Series

■ PRODUCT LINEUP

Part number		MB89051	MB89F051
Parameter			
ROM size		32 KB	32 KB (FLASH)
RAM size		2 KB	
Package		LQFP-64 (FPT-64P-M09)	
Others		MASK product	FLASH product/EVA product
CPU functions		Number of instructions : 136 Instruction bit length : 8 bits Instruction length : 1 to 3 bytes Data bit length : 1, 8, and 16 bits Minimum execution time : 0.33 μs (6 MHz) Interrupt processing time : 3 μs (6 MHz)	
Peripheral functions	General-purpose ports		General purpose I/O ports (37 : CMOS (7 of 3 V ports) , 4 : Nch open drain)
	USB hub		Upstream port : 1 channel Downstream port : 5 channels (One is dedicated to an internal function.) Port power supply control method : By individual port Allows selection between own power supply and bus power supply
	USB function		Supports full speed : when using hub Supports full and low speeds : when using function End point max 4 Built-in DMAC (Can be set to DMA transfer to the internal RAM)
	PWM timer		8-bit PWM timer operation 2 channels (can also be used as a PPG 1 channel timer)
	UART	SIO	Allows switching between UART (clock-synchronous/asynchronous data transfer allowed) and SIO (simple serial transfer).
	SIO		SIO (simple serial) × 2 channels (3 V)
	I ² C interface		One channel. Supports Phillips I ² C bus standards. Uses a 2-wire protocol for communications with other devices.
	Timebase timer		21-bit timebase timer
	Clock output		Allows clock output of 12 MHz* and 6 MHz* (3 V)
	Standby mode		Sleep mode and Stop mode

* : When external supply clock is at 6 MHz.

■ DIFFERENCES AMONG PRODUCTS

1. Memory Size

- Before evaluating using the FLASH product, it is necessary to confirm its differences from the product that will actually be used.

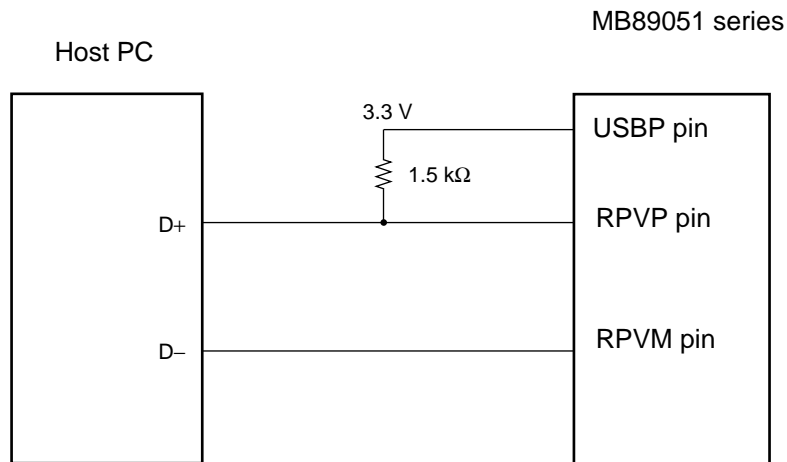
2. Current Consumption

- When operating at low speed, FLASH products will consume more current than mask ROM products. However, in sleep/stop mode the current consumption is the same.
- For detailed information on each package, see “■PACKAGE DIMENSIONS”

3. USB Pull-up Resistor control

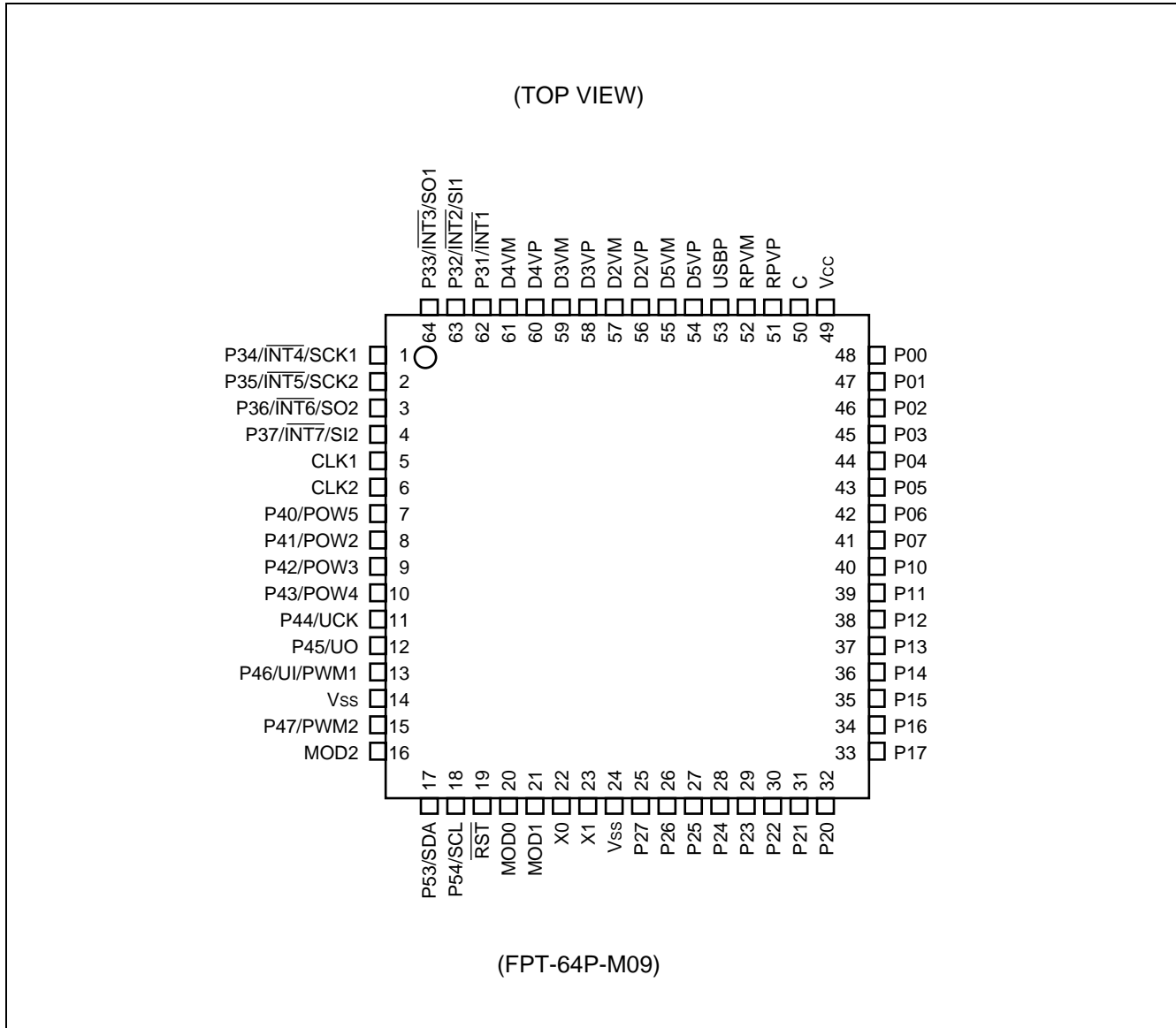
- Remains in high impedance state until USB connection take place. Before the USB connection, use USBP pin output to control pull-up resistance by software.

- The example of connection



MB89051 Series

■ PIN ASSIGNMENT



■ PIN DESCRIPTION

Pin No.	Pin name	Circuit type	Function
1	P34/ $\overline{\text{INT4}}$ / SCK1	E	General-purpose CMOS I/O pin The external interrupt input is a hysteresis input. (Level detection) SIO1 clock I/O
2	P35/ $\overline{\text{INT5}}$ / SCK2	E	General-purpose CMOS I/O pin The external interrupt input is a hysteresis input. (Level detection) SIO2 clock I/O
3	P36/ $\overline{\text{INT6}}$ / SO2	B	General-purpose CMOS I/O pin The external interrupt input is a hysteresis input. (Level detection) SIO2 serial data output
4	P37/ $\overline{\text{INT7}}$ /SI2	E	General-purpose CMOS I/O pin The external interrupt input is a hysteresis input. (Level detection) SIO2 serial data input
5	CLK1	M	6 MHz clock output pin (When external supply clock is at 6 MHz.)
6	CLK2	M	12 MHz clock output pin (When external supply clock is at 6 MHz.)
7	P40/POW5	B	General-purpose CMOS I/O pin This pin also serves as USB Down Port power control signal.
8	P41/POW2	B	General-purpose CMOS I/O pin This pin also serves as USB Down Port power control signal.
9	P42/POW3	B	General-purpose CMOS I/O pin This pin also serves as USB Down Port power control signal.
10	P43/POW4	B	General-purpose CMOS I/O pin This pin also serves as USB Down Port power control signal.
11	P44/UCK	E	General-purpose CMOS I/O pin UART/S10 clock I/O
12	P45/UO	B	General-purpose CMOS I/O pin UART/S10 serial data output
13	P46/UI/ PWM1	N	Nch open drain general-purpose I/O pin UART/S10 serial data input PWM timer
14	V _{ss}	—	Power supply pin (GND)
15	P47/PWM2	K	Nch open drain general-purpose I/O pin PWM timer
16	MOD2	F	An operating mode designation pin. Connect directly to V _{ss} .
17	P53/SDA	K	Nch open drain general-purpose I/O pin Also serve as I ² C interface data input/output pin.
18	P54/SCL	K	Nch open drain general-purpose I/O pin Also serve as I ² C interface clock input/output pin.
19	$\overline{\text{RST}}$	I	Reset pin (Reset on the negative logic low level.)
20	MOD0	F	An operating mode designation pin. Connect directly to V _{ss} .
21	MOD1	F	An operating mode designation pin. Connect directly to V _{ss} .

(Continued)

MB89051 Series

Pin No.	Pin name	Circuit type	Function
22	X0	A	Pins for the connection of crystal oscillation circuit.(6 MHz)
23	X1		
24	V _{ss}	—	Power supply pin (GND)
25	P27	B	General-purpose CMOS I/O pin*
26	P26	B	General-purpose CMOS I/O pin*
27	P25	B	General-purpose CMOS I/O pin*
28	P24	B	General-purpose CMOS I/O pin*
29	P23	B	General-purpose CMOS I/O pin*
30	P22	B	General-purpose CMOS I/O pin*
31	P21	B	General-purpose CMOS I/O pin*
32	P20	B	General-purpose CMOS I/O pin*
33	P17	B	General-purpose CMOS I/O pin
34	P16	B	General-purpose CMOS I/O pin
35	P15	B	General-purpose CMOS I/O pin
36	P14	B	General-purpose CMOS I/O pin
37	P13	B	General-purpose CMOS I/O pin
38	P12	B	General-purpose CMOS I/O pin
39	P11	B	General-purpose CMOS I/O pin
40	P10	B	General-purpose CMOS I/O pin
41	P07	B	General-purpose CMOS I/O pin
42	P06	B	General-purpose CMOS I/O pin
43	P05	B	General-purpose CMOS I/O pin
44	P04	B	General-purpose CMOS I/O pin
45	P03	B	General-purpose CMOS I/O pin
46	P02	B	General-purpose CMOS I/O pin
47	P01	B	General-purpose CMOS I/O pin
48	P00	B	General-purpose CMOS I/O pin
49	V _{cc}	—	Power supply pin.
50	C	—	Connect an external capacitor of 0.1 μF. When using with 3.3 V power supply, connect this pin with the V _{cc} pin to set to 3.3 V input.
51	RPVP	USBDRV	USB route port + pin
52	RPVM	USBDRV	USB router port – pin
53	USBP	L	USB pull-up resistance connection pin.
54	D5VP	USBDRV	USB down port 5 + pin
55	D5VM	USBDRV	USB down port 5 – pin

* : For output only on the emulator.

(Continued)

MB89051 Series

(Continued)

Pin No.	Pin name	Circuit type	Function
56	D2VP	USBDRV	USB down port 2 + pin
57	D2VM	USBDRV	USB down port 2 – pin
58	D3VP	USBDRV	USB down port 3 + pin
59	D3VM	USBDRV	USB down port 3 – pin
60	D4VP	USBDRV	USB down port 4 + pin
61	D4VM	USBDRV	USB down port 4 – pin
62	P31/ $\overline{\text{INT1}}$	B	General-purpose CMOS I/O pin External interrupt input (Hysteresis input (level detection))
63	P32/ $\overline{\text{INT2}}$ /SI1	E	General-purpose CMOS I/O pin External interrupt input (Hysteresis input (level detection)) SIO1 serial data input
64	P33/ $\overline{\text{INT3}}$ / SO1	B	General-purpose CMOS I/O pin External interrupt input (Hysteresis input (level detection)) SIO1 serial data output

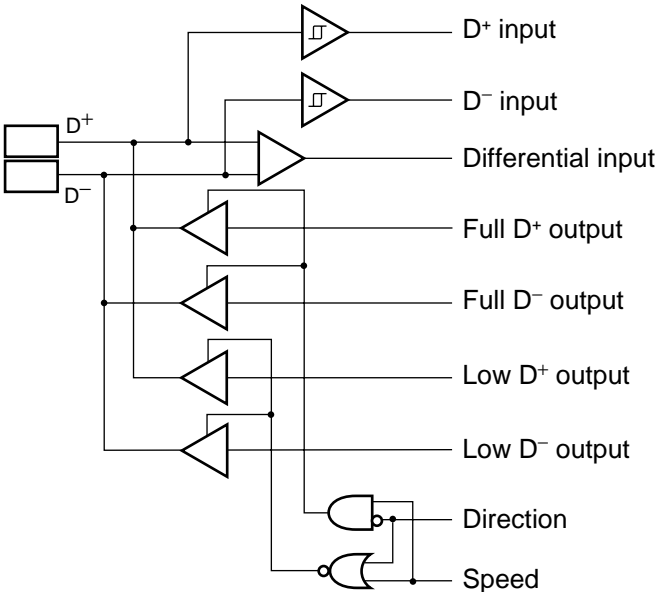
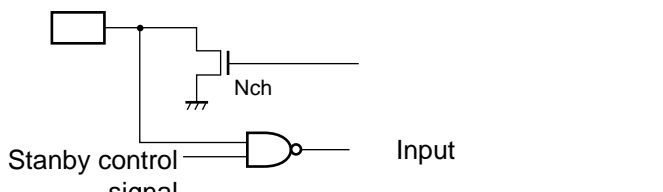
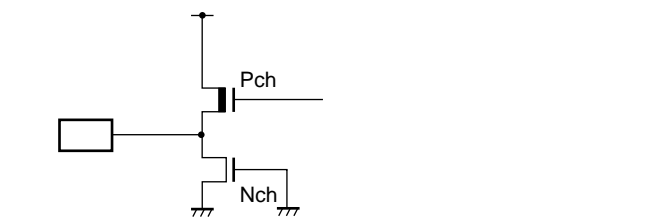
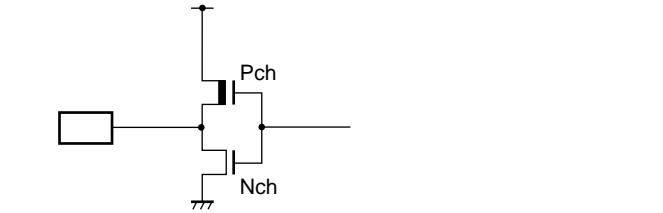
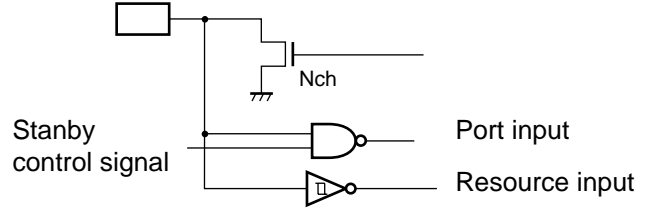
MB89051 Series

I/O CIRCUIT TYPE

Type	Circuit	Remarks
A	<p>Standby control signal</p>	<ul style="list-style-type: none"> Oscillation feedback resistance : 1 MΩ approx.
B	<p>Pullup control register</p> <p>Standby control signal</p> <p>Input</p>	<ul style="list-style-type: none"> CMOS I/O
E	<p>Pullup control register</p> <p>Standby control signal</p> <p>Port input</p> <p>Resource input</p>	<ul style="list-style-type: none"> CMOS I/O Hysteresis input
F	<p>Input</p>	<ul style="list-style-type: none"> CMOS input
I	<p>Input</p>	<ul style="list-style-type: none"> Hysteresis I/O Pullup resistance

(Continued)

(Continued)

Type	Circuit	Remarks
USBDRV	 <p style="text-align: right;"> D⁺ input D⁻ input Differential input Full D⁺ output Full D⁻ output Low D⁺ output Low D⁻ output Direction Speed </p>	<ul style="list-style-type: none"> • USB I/O
K	 <p style="text-align: right;"> Input </p>	<ul style="list-style-type: none"> • Nch open drain I/O
L		<ul style="list-style-type: none"> • USB pull-up resistance connection
M		<ul style="list-style-type: none"> • Clock output
N	 <p style="text-align: right;"> Port input Resource input </p>	<ul style="list-style-type: none"> • Nch open drain I/O • Hysteresis input

■ HANDLING DEVICES

1. Preventing Latchup

Latchup may occur on CMOS ICs if voltage higher than V_{cc} or lower than V_{ss} is applied to input or output pins other than the medium- and high-voltage pins or if voltage higher than the rating is applied between V_{cc} and V_{ss} .

When latchup occurs, power supply current increases rapidly and might thermally damage elements. When using, take great care not to exceed the absolute maximum ratings.

Also take care to prevent the analog input from exceeding the digital power supply (V_{cc}) when the power supply to the analog power system is turned on and off.

2. Treatment of Unused Input Pins

Leaving unused input pins open could cause malfunctions and latchup leading to permanent damage to the pins. These unused pins should be connected to a pullup or pulldown resistance of at least 2 k Ω between the pin and the power supply.

Unused I/O pins should be placed in output state to leave it open or pins that are in input state should be handled the same as unused input pins.

3. Note to noise in the External Reset Pin (\overline{RST})

If the reset pulse applied to the external reset pin (\overline{RST}) does not meet the specifications, it may cause malfunctions. Use caution so that the reset pulse less than the specifications will not be fed to the external reset pin (\overline{RST}).

4. Power Supply Voltage Fluctuations

Although V_{cc} power supply voltage is assured to operate within the rated range, a rapid fluctuation of the voltage could cause malfunctions even if it occurs within the rated range. Stabilizing voltage supplied to the IC is therefore important. As stabilization guidelines, it is recommended to control power so that V_{cc} ripple fluctuations (P-P value) will be less than 10% of the standard V_{cc} value at the commercial frequency (50 Hz to 60 Hz) and the transient fluctuation rate will be less than 0.1 V/ms at the time of a momentary fluctuation such as when power is switched.

5. Note on the clock during operation

This microcontroller uses a PLL for generating the main clock signal. If the oscillator is removed or the clock input stops during operation, therefore, the microcontroller may keep on operating at the free-running frequency of the self-oscillation circuit in the PLL. The operation is not however guaranteed.

6. About port 2 (P20 to P27)

Port 2 serves as an output-only terminal on the emulator.

■ PROGRAMMING AND ERASING FLSH MEMORY

1. Flash Memory

The flash memory is located between 8000_H and FFFF_H in the CPU memory map and incorporates a flash memory interface circuit that allows read access and program access from the CPU to be performed in the same way as mark ROM. Programming and erasing flash memory is also performed via the flash memory interface circuit by executing instructions in the CPU. This enables the flash memory to be updated in place under the control of the CPU, providing an efficient method of updating program and data.

2. Flash Memory Features

- 32 Kbyte × 8-bit configuration (16 K + 8 K + 8 K sectors)
- Automatic programming algorithm (Embedded Algorithm* : Equivalent to MBM29LV200)
- Includes an erase pause and restart function
- Data polling and toggle bit for detection of program/erase completion
- Detection of program/erase completion via CPU interrupt
- Compatible with JEDEC-standard command
- Sector Protection (sectors can be combined in any combination)
- No. of program/erase cycles : 10,000 (Min)

* : Embedded Algorithm is a trademark of Advanced Micro Devices.

3. Procedure for Programming and Erasing Flash Memory

Programming and reading flash memory cannot be performed at the same time. Accordingly, to program or erase flash memory, the program must first be copied from flash memory to RAM so that programming can be performed without program access from flash memory.

4. Flash Memory Register

- Control status register (FMCS)

Address	bit7	bit6	bit5	bit4	bit3	bit2	bit1	bit0	Initial value
002EH	INTE	RDYINT	WE	RDY	Re-served	Re-served	—	Re-served	000X00X0B
	R/W	R/W	R/W	R	R/W	R/W	—	R/W	

5. Sector Configuration

The table below shows the sector configuration of flash memory and lists the addresses of each sector for both during CPU access and a flash memory programming.

- Sector configuration of flash memory

Flash Memory	CPU Address	Programmer Address*
16 Kbytes	FFFF _H to C000 _H	1FFFF _H to 1C000 _H
8 Kbytes	BFFF _H to A000 _H	1BFFF _H to 1A000 _H
8 Kbytes	9FFF _H to 8000 _H	19FFF _H to 18000 _H

* : Programmer address

The programmer address is the address to be used instead of the CPU address when programming data from a parallel flash memory programmer. Use the programmer address on programming or erasing using a general-purpose parallel programmer.

MB89051 Series

6. ROM Programmer Adaptor and Recommended ROM Programmers

Package	Compatible adaptor	Compatible programmers and models
	Sunhayato Corp.	Ando Denki K.K.
FPT-64P-M09	FLASH-64QF2-32DP-8LF3	AF9708 (ver 1.60 or higher) AF9709 (ver 1.60 or higher)

- Inquiry:

Sunhayato Corp.

: TEL : 81-3-3984-7791

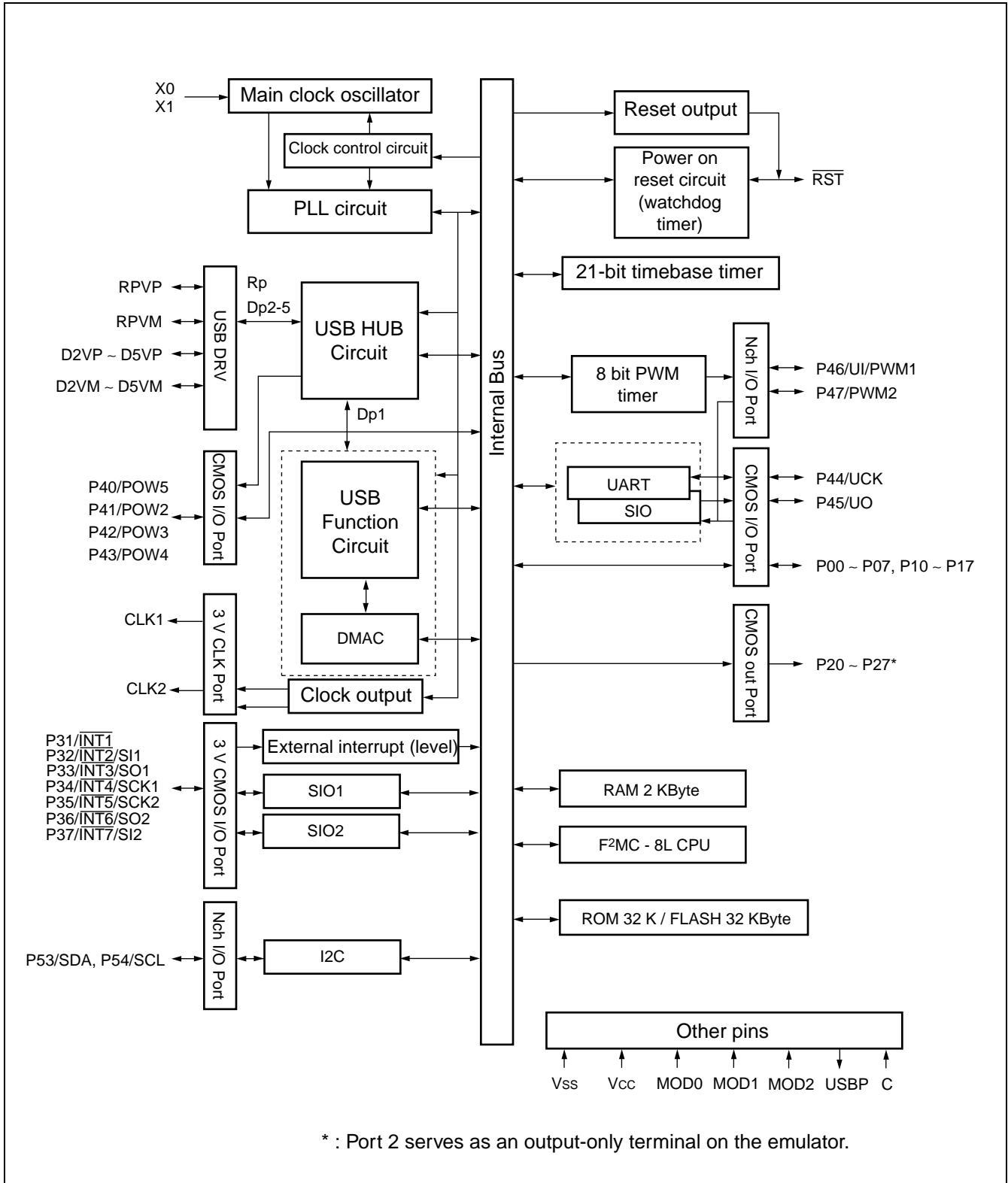
FAX : 81-3-3971-0535

E-mail : adapter@sunhayato.co.jp

Ando Denki K. K.

: TEL : 81-3-3733-1160

■ BLOCK DIAGRAM



MB89051 Series

■ CPU CORE

1. Memory Size

The MB89051 microcontroller offers a memory space of 64 Kbytes consisting of the I/O, RAM and ROM areas. The memory space contains areas that are used for specific purposes, such as a general-purpose register and a vector table.

- I/O area (addresses: 0000H through 007FH)

This area is assigned with the control and data registers, for example, of peripheral functions to be built in.

The I/O area is as accessible as the memory since the area is assigned to a part of the memory space. Direct addressing also allows the area to be accessed faster.

- RAM area

As an internal data area, a static RAM is built in.

The internal RAM capacity varies with the product type.

The area 80H to FFH can be accessed at high speed with direct addressing.

The area 100H to 1FFH can be used a general-purpose register area. (The usable area is limited depending on the product.)

When reset, RAM data becomes undefined.

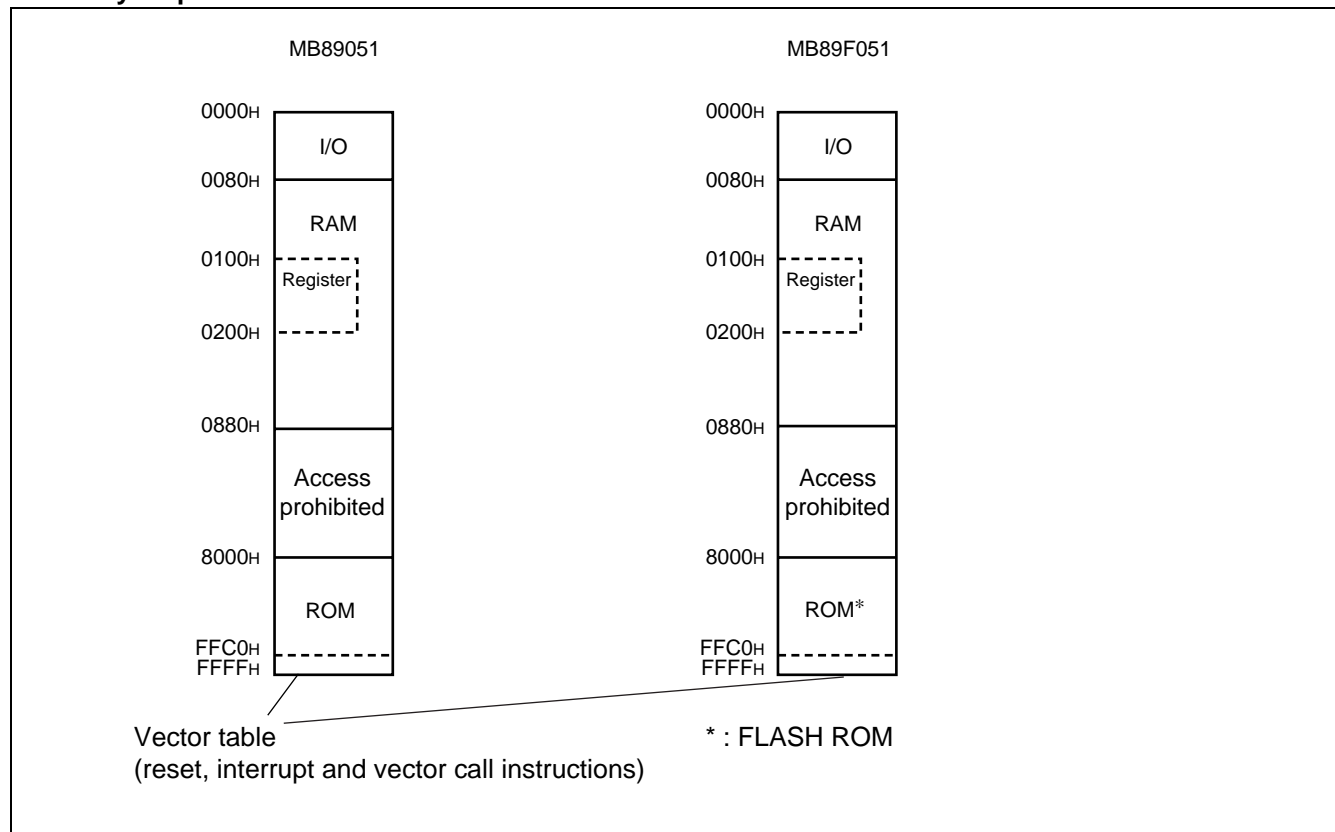
- ROM area

As an internal program area, a ROM is built in.

The internal RAM capacity varies with the product type.

The area FFC0H to FFFFH should be used for a vector table, for example.

• Memory map

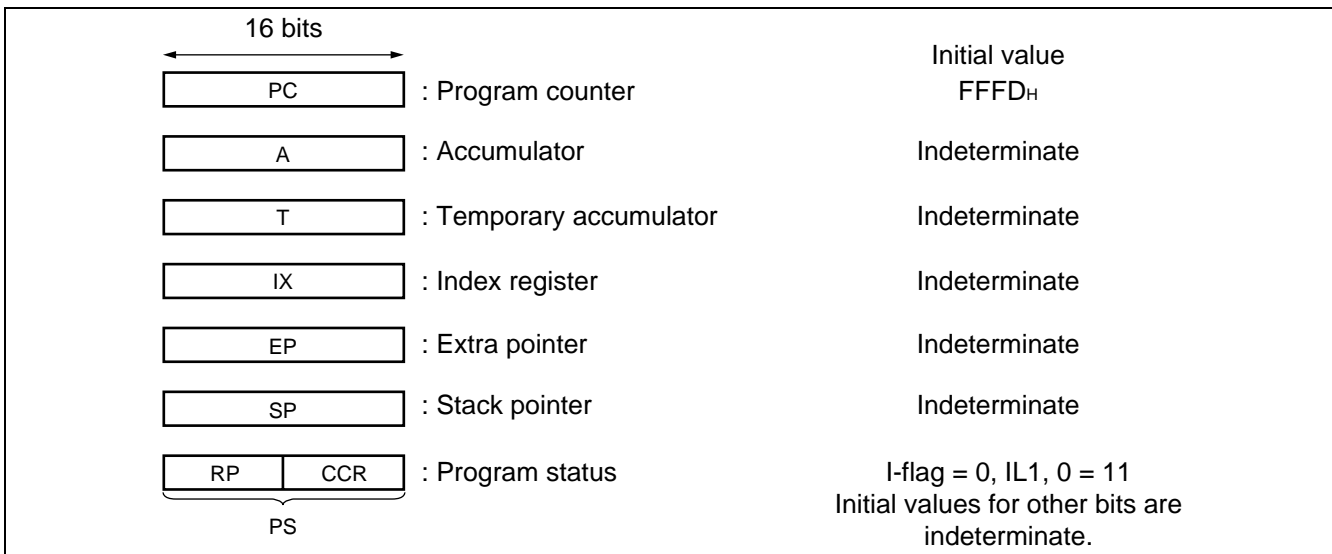


2. Registers

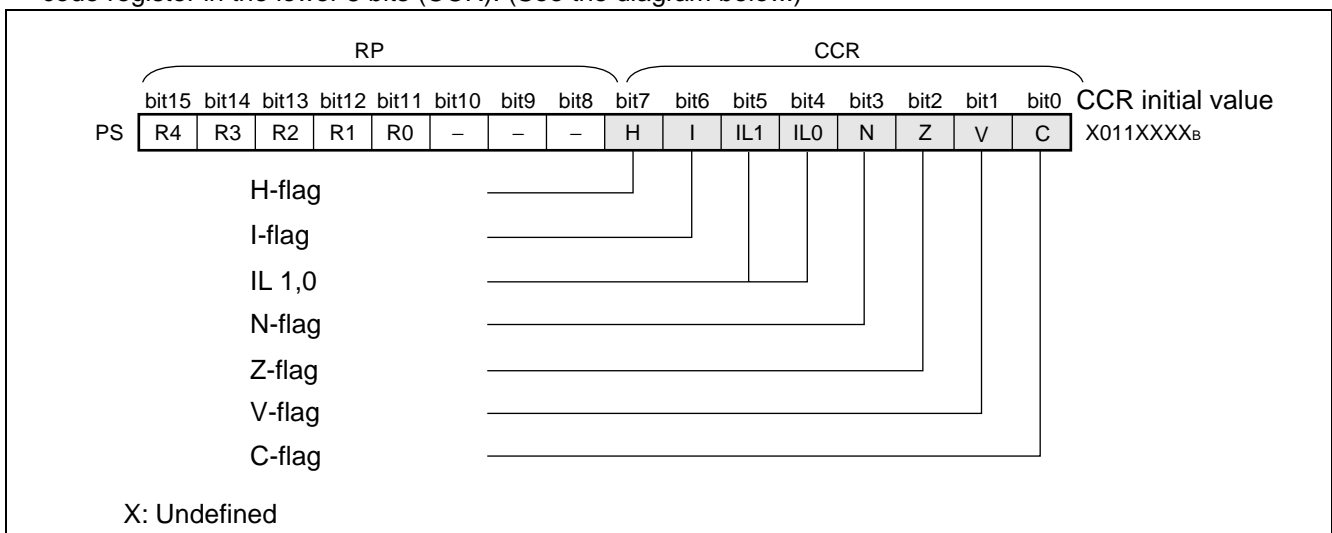
The MB89051 series has two types of registers; the registers dedicated to specific purposes in the CPU and the general-purpose registers.

The dedicated registers are as follows:

Program counter (PC)	:	A 16-bit register to indicate locations where instructions are stored.
Accumulator (A)	:	A 16-bit register for temporary storage of operations. In the case of an 8-bit data processing instruction, the lower one byte is used.
Temporary accumulator (T)	:	A 16-bit register which performs operations with the accumulator. In the case of an 8-bit data processing instruction, the lower one byte is used.
Index register (IX)	:	A 16-bit register for index modification.
Extra pointer (EP)	:	A 16-bit register to point to a memory address.
Stack pointer (SP)	:	A 16-bit register to indicate a stack area.
Program status (PS)	:	A 16-bit register to store a register pointer or a condition code.

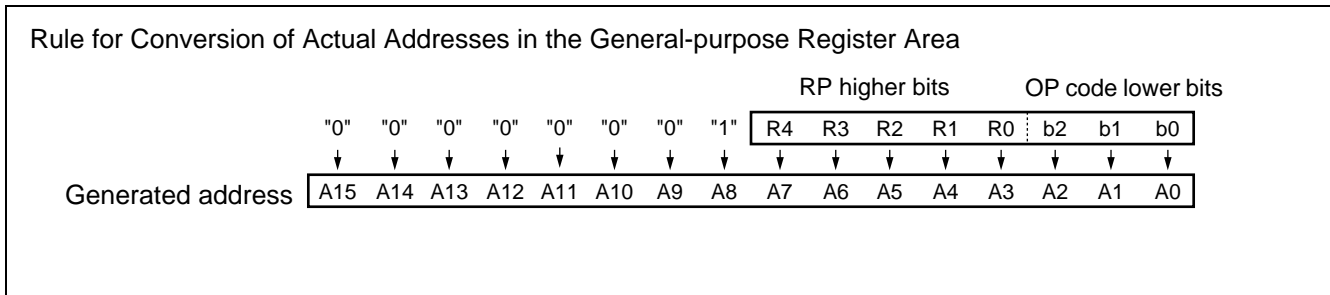


The PS register can further be divided into the register bank pointer in the higher 8 bits (RP) and the condition code register in the lower 8 bits (CCR). (See the diagram below.)



MB89051 Series

The RP points to the address of the register bank currently in use. The relationship between the pointer contents and the actual address is based on the conversion rule shown next.



The CCR consists of the bits indicating arithmetic operation results or transfer data contents and the bits that control CPU operations at the time of an interrupt.

- H flag : The flag is set to "1" when an arithmetic operation results in a carry from bit 3 to bit 4 or in a borrow from bit 4 to bit 3. The bit is cleared to "0" in other instances. The flag is for decimal adjustment instructions; do not use for other than additions and subtractions.
- I flag : Interrupt is enabled when this flag is set to "1." Interrupt is disabled when this flag is set to "0." The flag is set to "0" when reset.
- IL1, 0 : Indicates the level of the interrupt currently enabled. An interrupt is processed only if its level is higher than the value this bit indicates.

IL1	IL0	Interrupt level	High-low
0	0	1	Higher ↑ ↓ Lower = no interruption
0	1		
1	0	2	
1	1	3	

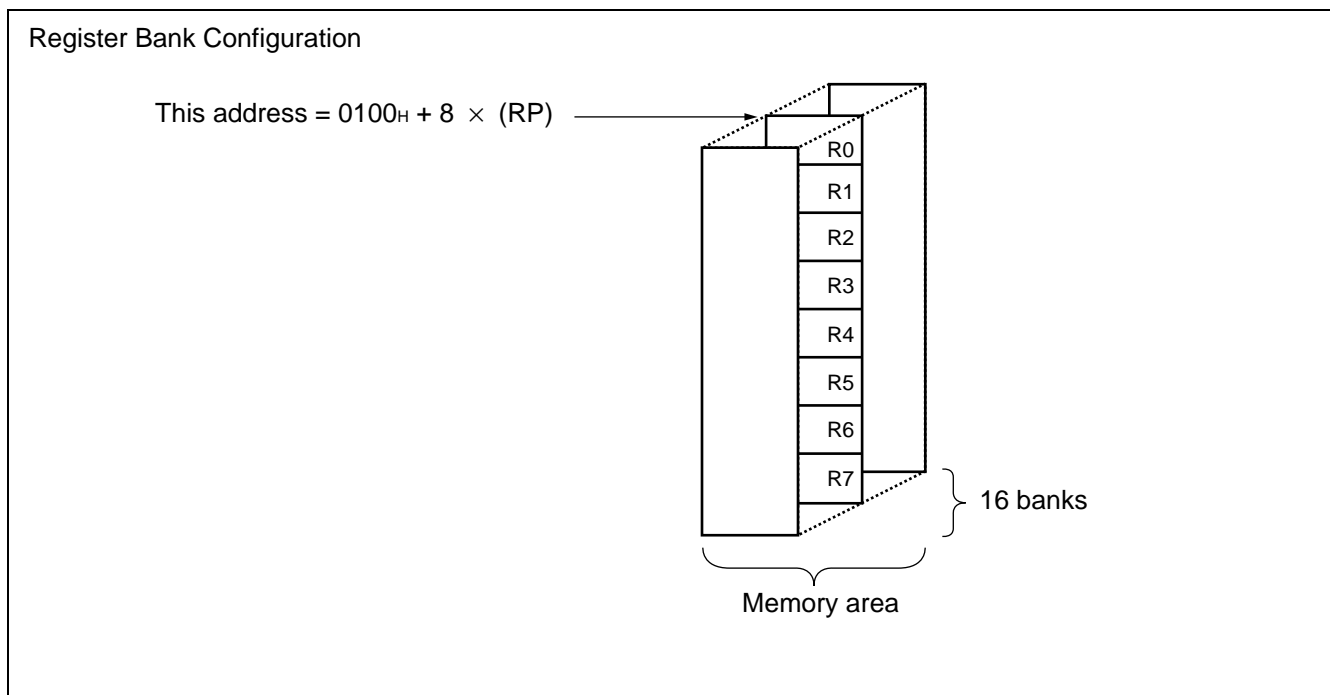
- N flag : The flag is set to "1" when an arithmetic operation results in setting of the MSB to "1" or is cleared to "0" when the MSB is set to "1."
- Z flag : The flag is set to "1" when an arithmetic operation results in "0" or is set to "0" in other instances.
- V flag : The flag is set to "1" when an arithmetic operation results in two's complement overflow or is cleared to "0" if no overflow occurs.
- C flag : The flag is set to "1" when an arithmetic operation results in a carry from bit 7 or in a borrow to bit 7. The flag is cleared to "0" if neither of them occurs. In the case of a shift instruction, the flag is set to the shift-out value.

The following general-purpose registers are provided:

- General-purpose registers : 8-bit data storage registers

The general-purpose registers are 8 bits in length and located in the register banks in the memory. One bank contains eight registers and the MB89051 microcontrollers allow a total of 16 banks to be used at maximum.

The bank currently in use is indicated by the register bank pointer (RP).



MB89051 Series

■ I/O MAP

Address	Register name	Register description	Read/write	Initial value
00 _H	PDR0	Port 0 data register	R/W	XXXXXXXX
01 _H	DDR0	Port 0 direction register	W	00000000
02 _H	PDR1	Port 1 data register	R/W	XXXXXXXX
03 _H	DDR1	Port 1 direction register	W	00000000
04 _H	PDR2	Port 2 data register	R/W	00000000
05 _H	Reserved area			
06 _H	DDR2	Port 2 direction register	R/W	00000000
07 _H	SYCC	System clock control register	R/W	XXX11X00
08 _H	STBC	Standby control register	R/W	0001XXXX
09 _H	WDTC	Watchdog timer control register	R/W	XXXXXXXX
0A _H	TBTC	Timebase timer control register	R/W	00XXX000
0B _H	Vacancy			
0C _H	PDR3/USBP	Port 3 data register/Pull-up register for USB	R/W	XXXXXXXX
0D _H	DDR3/USBPC	Port 3 data direction register/ Pull-up control register for USB	R/W	00000000
0E _H	Reserved area			
0F _H	Vacancy			
10 _H	PDR4	Port 4 data register	R/W	XXXXXXXX
11 _H	DDR4	Port 4 direction register	R/W	00000000
12 _H	PDR5	Port 5 data register	R/W	XXX11XXX
13 _H to 15 _H	Reserved area			
16 _H to 20 _H	Vacancy			
21 _H	PURR0	Port 0 pullup option setting register	R/W	11111111
22 _H	PURR1	Port 1 pullup option setting register	R/W	11111111
23 _H	PURR2	Port 2 pullup option setting register	R/W	11111111
24 _H	PURR3	Port 3 pullup option setting register	R/W	1111111X
25 _H	PURR4	Port 4 pullup option setting register	R/W	11111111
26 _H	Reserved area			
27 _H	CTR1	PWM control register 1	R/W	00000000
28 _H	CTR2	PWM control register 2	R/W	000X0000
29 _H	CTR3	PWM control register 3	R/W	X000XXXX
2A _H	CMR1	PWM compare register 1	W	XXXXXXXX
2B _H	CMR2	PWM compare register 2	W	XXXXXXXX
2C _H	CKR	Clock output control register	R/W	XXXXXXXX00
2D _H	SCS	Serial clock switching register	R/W	XXXXXXXX0

(Continued)

MB89051 Series

Address	Register name	Register description	Read/write	Initial value
2EH	FMCS	Flash memory control status register (Only built-in Flash Memory products)	R, R/W	0 0 0 X 0 0 X 0
2FH	SMC1	Serial mode control register 1	R/W	0 0 0 0 0 0 0 0
30H	SMC2	Serial mode control register 2	R/W	0 0 0 0 0 0 0 0
31H	SSD	Serial status and control register	R	0 0 0 0 1 XXX
32H	SIDR/SODR	Serial input/serial output data register	R/W	XXXXXXXX
33H	SRC	Serial rate control register	R/W	XXXXXXXX
34H	IBSR	I ² C bus status register	R	0 0 0 0 0 0 0 0
35H	IBCR	I ² C bus control register	R/W	0 0 0 1 1 0 0 0
36H	ICCR	I ² C clock register	R/W	0 X 0 XXXXX
37H	IADR	I ² C address register	R/W	XXXXXXXX
38H	IDAR	I ² C data register	R/W	XXXXXXXX
39H	Vacancy			
3AH	SMR1	Serial mode register 1	R/W	0 0 0 0 0 0 0 0
3BH	SDR1	Serial data register 1	R/W	XXXXXXXX
3CH	EIE	External interrupt control register	R/W	0 0 0 0 0 0 0 0
3DH	EIF	External interrupt flag register	R/W	XXXXXXXX 0
3EH, 3FH	Vacancy			
40H	HMDR	HUB mode register	R/W	1 0 XXXXX 0
41H	HDSR1	Hub descriptor register 1	R/W	XXXXXXXX
42H	HDSR2	Hub descriptor register 2	R/W	XXXXXXXX
43H	HDSR3	Hub descriptor register 3	R/W	XXXXXXXX
44H	HSTR	Hub status register	R/W	0 0 0 0 0 0 0 0
45H	OCCR	Over current register	R/W	0 XXX 0 0 0 0
46H	DADR	Descriptor ROM address register	R/W	XXXXXXXX
47H	Reserved area			
48H, 49H	Vacancy			
4AH	SMR2	Serial mode register 2	R/W	0 0 0 0 0 0 0 0
4BH	SDR2	Serial data register 2	R/W	XXXXXXXX
4CH, 4DH	Vacancy			
4EH	HDSR4	Hub descriptor register 4	R/W	0 0 0 0 0 1 0 1
4FH	Vacancy			
50H	UMDR	USB reset mode register	R/W	1 0 0 0 XX 0 0
51H	DBAR	DMA base address register	R/W	XXXXXXXX
52H	TDCR0	Transfer data count register 0	R/W	X 0 0 0 0 0 0 0
53H	TDCR1	Transfer data count register 1	R/W	X 0 0 0 0 0 0 0
54H	Reserved area			
55H	TDCR21	Transfer data count register 2	R/W	X 0 0 0 0 0 0 0

(Continued)

MB89051 Series

(Continued)

Address	Register name	Register description	Read/write	Initial value
56H	Reserved area			
57H	TDCR3	Transfer data count register 3	R/W	X 0 0 0 0 0 0 0
58H	UCTR	USB control register	R/W	0 0 0 0 0 0 0 0
59H	USTR1	USB status register 1	R/W	0 0 0 0 0 0 0 0
5AH	USTR2	USB status register 2	R	XXXXXX 0 0
5BH	UMSKR	USB interrupt mask register	R/W	0 0 0 0 0 0 0 0
5CH	UFRMR1	USB frame status register 1	R	XXXXXXXX
5DH	UFRMR2	USB frame status register 2	R	XXXXXXXX
5EH	EPER	USB endpoint enable register	R/W	XXXX 0 0 0 1
5FH	EPBR0	End point setup register 0	R/W	X 0 0 0 0 0 0 0
60H	EPBR11	Endpoint setup register 11	R/W	XX 0 0 0 0 XX
61H	EPBR12	Endpoint setup register 12	R/W	X 0 0 0 0 0 0 0
62H	EPBR21	Endpoint setup register 21	R/W	XX 0 0 0 0 XX
63H	EPBR22	Endpoint setup register 22	R/W	X 0 0 0 0 0 0 0
64H	EPBR31	Endpoint setup register 31	R/W	XX 0 0 0 0 XX
65H	EPBR32	Endpoint setup register 32	R/W	X 0 0 0 0 0 0 0
66H	Reserved area			
67H to 78H	Vacancy			
79H	Reserved area			
7AH	Vacancy			
7BH	ILR1	Interrupt level setting register 1	W	1 1 1 1 1 1 1 1
7CH	ILR2	Interrupt level setting register 2	W	1 1 1 1 1 1 1 1
7DH	ILR3	level setting register 3	W	1 1 1 1 1 1 1 1
7EH	ILR4	Interrupt level setting register 4	W	1 1 1 1 1 1 1 1
7FH	Reserved area			

- Information about read/write
R/W: Read/write enabled, R: Read only, W: Write only
- Information about initial values
0: The initial value of this bit is "0".
1: The initial bit of this bit is "1".
X: The initial value of this bit is undefined.

Note : Vacancies and reserved spaces are not for use.

■ ELECTRICAL CHARACTERISTICS

1. Absolute Maximum Ratings

($V_{SS} = 0\text{ V}$)

Parameter	Symbol	Rating		Unit	Remarks
		Min	Max		
Power supply voltage	V_{CC}	$V_{SS}-0.3$	$V_{SS}+6.0$	V	
Input voltage	V_I	$V_{SS}-0.3$	$V_{CC}+0.3$	V	Other than P31 to P37, P46, P47, P53, P54*1
		$V_{SS}-0.3$	3.3	V	P31 to P37
		$V_{SS}-0.3$	$V_{SS}+6.0$	V	P46, P47, P53, P54*1
Output voltage	V_O	$V_{SS}-0.3$	$V_{CC}+0.3$	V	Other than P31 to P37, P46, P47, P53, P54, CLK1, CLK2, USBP
		$V_{SS}-0.3$	3.6	V	P31 to P37, CLK1, CLK2, USBP
		$V_{SS}-0.3$	$V_{SS}+6.0$	V	P46, P47, P53, 54
Maximum clamp current	I_{CLAMP}	-2.0	2.0	mA	*5
Total maximum clamp current	$\Sigma I_{CLAMP} $	—	20	mA	*5
“L” level maximum output current	I_{OL}	—	15	mA	Normal output*2
“L” level average output current	I_{OLAV}	—	4	mA	Normal output*3
“L” level total maximum output current	ΣI_{OL}	—	100	mA	Total normal output
“L” level total average output current	ΣI_{OLAV}	—	40	mA	Total normal output*4
“H” level maximum output current	I_{OH}	—	-15	mA	Normal output*2
“H” level average output current	I_{OHAV}	—	-4	mA	Normal output*3
“H” level total maximum output current	ΣI_{OH}	—	-50	mA	Total normal output
“H” level maximum output current		—	-10	mA	Total output of P31 to P37, CLK1, CLK2, USBP.
“H” level average total output current		—	-20	mA	Total normal output*4
“H” level average total output current	ΣI_{OHAV}	—	-10	mA	Total output of P31 to P37, CLK1, CLK2 and USBP.*4
Power consumption	P_D	—	300	mW	
Operating temperature	T_A	-40	+85	°C	
Storage temperature	T_{stg}	-55	+150	°C	

WARNING: Semiconductor devices can be permanently damaged by application of stress (voltage, current, temperature, etc.) in excess of absolute maximum ratings. Do not exceed these ratings.

*1 : V_I should not exceed the specified ratings. However, if the maximum current to /from an input is limited by some means with external components, the I_{CLAMP} rating supersedes the V_I rating.

*2 : Maximum output current is defined as the peak value at one corresponding pin.

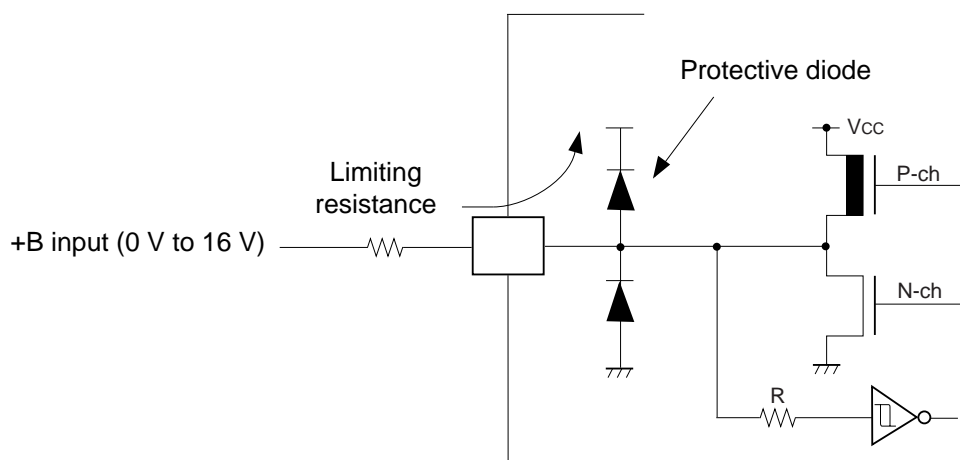
*3 : Average output current is defined as the average current flowing through one corresponding pin in an interval of 100 ms. (Average value : operating current \times operating duty)

MB89051 Series

*4 : Average total output current is defined as the average current flowing through all corresponding pins in an interval of 100 ms.

- *5 :
- Applicable to pins : P00 to P07, P10 to P17, P20 to P27, P40 to P45
 - Use within recommended operating conditions.
 - Use at DC voltage (current)
 - The +B signal should always be applied with a limiting resistance placed between the +B signal and the microcontroller.
 - The value of the limiting resistance should be set so that when the +B signal is applied the input current to the microcontroller pin does not exceed rated values, either instaneously or for prolonged periods.
 - Note that when the microcontroller drive current is low, such as in the power saving modes, the +B input potential may pass through the protective diode and increase the potential at the V_{CC} pin, and this may affect other devices.
 - Note that if a +B signal is input when the microcontroller current is off (not fixed at 0 V) , the power supply is provided from the pins, so that incomplete operation may result.
 - Note that if the +B input is applied during power-on, the power supply is provided from the pins and the resulting supply voltage may not be sufficient to operate the power-on result.
 - Care must be taken not to leave the +B input pin open.
 - Note that analog system input pins other than the A/D input pins (LCD drive pins, comparator input pins, etc.) cannot accept +B signal input.
 - Sample recommended circuits :

- Input/Output Equivalent circuits



WARNING: Semiconductor devices can be permanently damaged by application of stress (voltage, current, temperature, etc.) in excess of absolute maximum ratings. Do not exceed these ratings.

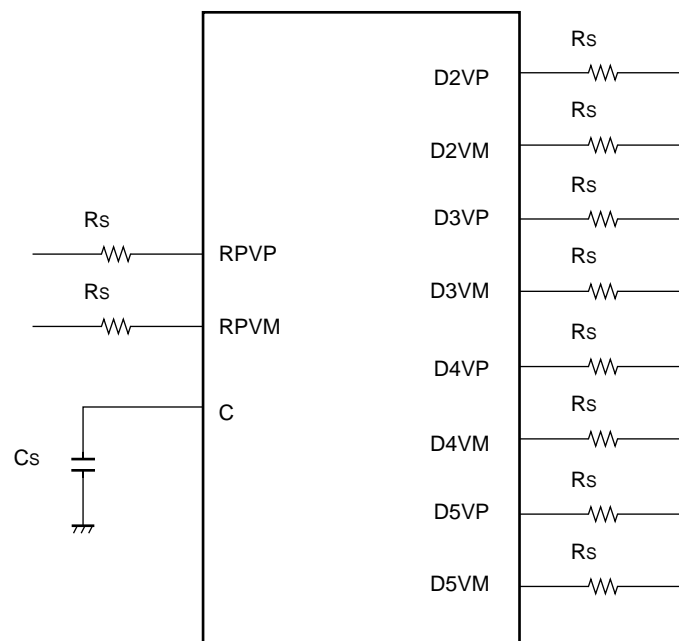
2. Recommended Operating Conditions

($V_{SS} = 0\text{ V}$)

Parameter	Symbol	Value			Unit	Remarks
		Min	Typ	Max		
Power supply voltage	V_{CC}	4.5	—	5.5	V	At $V_{CC} = 5.0\text{ V}$
		3.0	—	3.6	V	At $V_{CC} = 3.3\text{ V}^*$
Operating temperature	T_A	-40	—	+85	°C	When the USB function is not in use.
		0	—	+70	°C	When the USB function is in use
Smoothing capacitor	C_S	0.1	—	1.0	μF	At $V_{CC} = 5.0\text{ V}^*$
Series resistance	R_S	—	16	—	Ω	When the USB function is in use

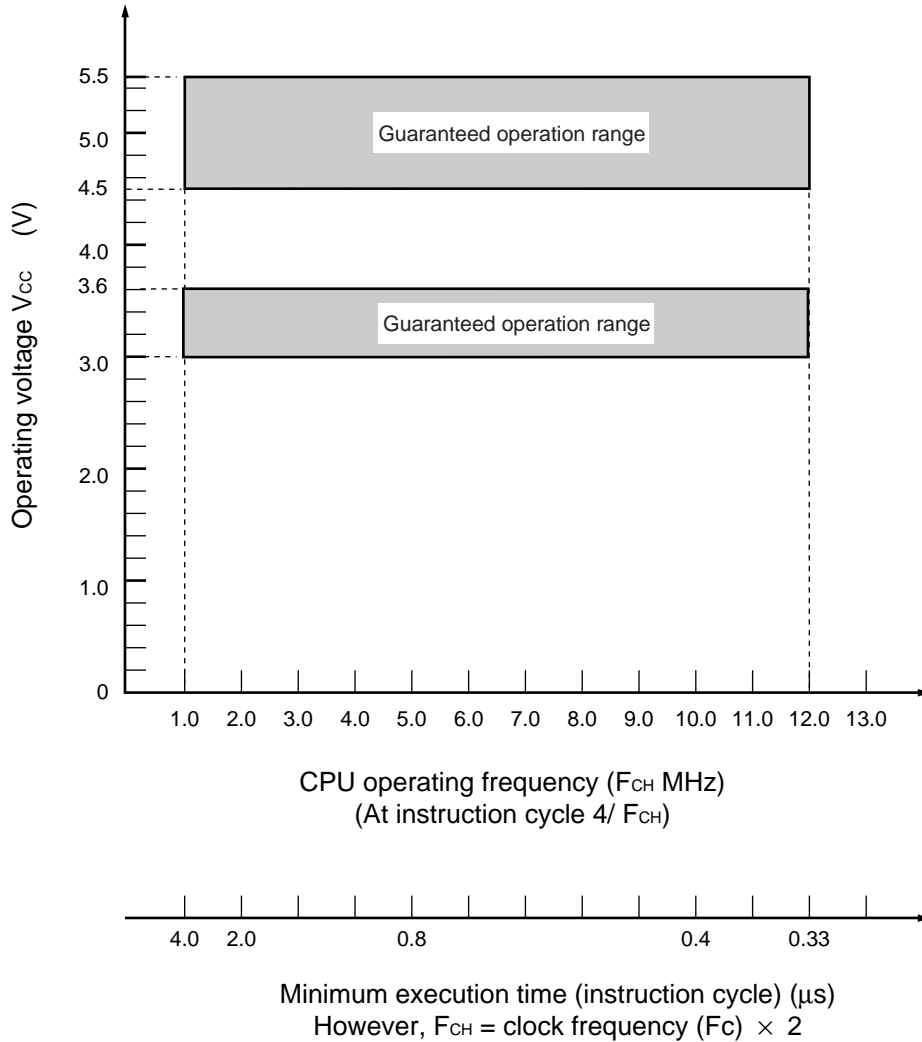
*: Use either a ceramic capacitor or a capacitor with similar frequency characteristics. The capacity of the smoothing capacitor for the V_{CC} pin should be greater than that of the C_S . When using with a supply voltage of 3.3 V, connect pin C with V_{CC} to input 3.3 V.

• C and USB Port Connection Diagram



MB89051 Series

- Operating voltage vs. Operating frequency



WARNING: The recommended operating conditions are required in order to ensure the normal operation of the semiconductor device. All of the device's electrical characteristics are warranted when the device is operated within these ranges.

Always use semiconductor devices within their recommended operating condition ranges. Operation outside these ranges may adversely affect reliability and could result in device failure.

No warranty is made with respect to uses, operating conditions, or combinations not represented on the data sheet. Users considering application outside the listed conditions are advised to contact their FUJITSU representatives beforehand.

MB89051 Series

3. DC Characteristics (Power supply voltage : 5.0 V)

($V_{CC} = 5.0\text{ V}$, $V_{SS} = 0\text{ V}$, $T_A = -40\text{ }^\circ\text{C}$ to $+85\text{ }^\circ\text{C}$)

Parameter	Symbol	Pin	Condition	Value			Unit	Remarks
				Min	Typ	Max		
"H" level Input voltage	V_{IH}	P00 to P07, P10 to P17, P20 to P27, P40 to P47, P53, P54, MOD0, MOD1, MOD2	—	$0.7 V_{CC}$	—	$V_{CC}+0.3$	V	
		P31 to P37	—	2.5	—	3.3	V	3 V
	V_{IHS}	\overline{RST} , UCK, UI	—	$0.8 V_{CC}$	—	$V_{CC}+0.3$	V	
		$\overline{INT1}$ to $\overline{INT7}$, SCK1, SCK2, SI1, SI2	—	2.9	—	3.3	V	3 V
V_{IH2C}	SCL, SDA	—	$0.8 V_{CC}$	—	$V_{CC}+5.5$	V		
"L" level Input voltage	V_{IL}	P00 to P07, P10 to P17, P20 to P27, P40 to P47, P53, P54, MOD0, MOD1, MOD2	—	$V_{SS}-0.3$	—	$0.3 V_{CC}$	V	
		P31 to P37	—	$V_{SS}-0.3$	—	0.9	V	3 V
	V_{ILS}	\overline{RST} , $\overline{INT1}$ to $\overline{INT7}$, UCK, UI	—	$V_{SS}-0.3$	—	$0.2 V_{CC}$	V	
		$\overline{INT1}$ to $\overline{INT7}$, SCK1, SCK2, SI1, SI2	—	$V_{SS}-0.3$	—	0.6	V	3 V
	V_{IL2C}	SCL, SDA	—	$V_{SS}-0.3$	—	$0.3 V_{CC}$	V	
Open-drain output application voltage	V_{D1}	P53, P54	—	$V_{SS}-0.3$	—	$V_{CC}+0.3$	V	
"H" level Output voltage	V_{OH}	P00 to P07, P10 to P17, P20 to P24, P40 to P47	$I_{OH} = -2.0\text{ mA}$	4.0	—	—	V	
		P31 to P37, CLK1, CLK2	$I_{OH} = -1.0\text{ mA}$	2.6	—	3.6 V	V	3 V
		USBP	$I_{OH} = -2.4\text{ mA}$	3.0	—	3.6 V	V	USB Pull up

(Continued)

MB89051 Series

(Continued)

($V_{CC} = 5.0\text{ V}$, $V_{SS} = 0\text{ V}$, $T_A = -40\text{ }^\circ\text{C}$ to $+85\text{ }^\circ\text{C}$)

Parameter	Symbol	Pin	Condition	Value			Unit	Remarks
				Min	Typ	Max		
“L” level Output voltage	V_{OL}	P00 to P07, P10 to P17, P20 to P24, P40 to P47, P53, P54, \overline{RST}	$I_{OL} = 4.0\text{ mA}$	—	—	0.4	V	
		P31 to P37, CLK1, CLK2	$I_{OL} = 1.0\text{ mA}$	—	—	0.4	V	3 V
Input leakage current (Hi-Z output leakage current)	I_{LI}	P00 to P07, P10 to P17, P20 to P27, P31 to P37, P40 to P47, CLK1, CLK2	$0.0\text{ V} < V_I < V_{CC}$	-5	—	+5	μA	When no pullup resistance is specified
		—		—	+5	μA		
		—		—	+5	μA		
Open-drain output leakage current	I_{LIOD}	P53, P54	$0.0\text{ V} < V_I < V_{SS} + 5.5\text{ V}$	—	—	+5	μA	
Pullup resistance	R_{PULL}	P00 to P07, P10 to P17, P20 to P27, P31 to P37, P40 to P47, P53, P54, \overline{RST}	$V_I = 0.0\text{ V}$	25	50	100	$\text{k}\Omega$	\overline{RST} is excluded when pullup resistance available is specified.
Power supply current	I_{CC}	V_{CC}	$F_{CH} = 12.0\text{ MHz}$, $V_{CC} = 5.0\text{ V}$, $t_{inst} = 0.333\text{ }\mu\text{s}$	—	29	42	mA	MB89F051
				—	28	41	mA	MB89051
	I_{CCS1}		$T_A = +25\text{ }^\circ\text{C}$	—	20	30	mA	Sleep mode
				I_{CCH}	—	40	70	μA
Input capacitance	C_{IN}	Other than V_{CC} , V_{SS} and C	$f = 1\text{ MHz}$	—	5	15	pF	

MB89051 Series

4. DC Characteristics (Power supply voltage : 3.3 V)

($V_{CC} = 3.3\text{ V}$, $V_{SS} = 0\text{ V}$, $T_A = -40\text{ }^\circ\text{C}$ to $+85\text{ }^\circ\text{C}$)

Parameter	Symbol	Pin	Condition	Value			Unit	Remarks
				Min	Typ	Max		
"H" level Input voltage	V_{IH}	P00 to P07, P10 to P17, P20 to P27, P31 to P37, P40 to P47, P53, P54, MOD0, MOD1, MOD2	—	$0.7 V_{CC}$	—	$V_{CC}+0.3$	V	
	V_{IHS}	\overline{RST} , UCK, UI, $\overline{INT1}$ to $\overline{INT7}$, SCK1, SCK2, SI1, SI2	—	$0.8 V_{CC}$	—	$V_{CC}+0.3$	V	
	V_{IH2C}	SCL, SDA	—	$0.8 V_{CC}$	—	$V_{CC}+5.5$	V	
"L" level Input voltage	V_{IL}	P00 to P07, P10 to P17, P20 to P27, P31 to P37, P40 to P47, P53, P54, MOD0, MOD1, MOD2	—	$V_{SS}-0.3$	—	$0.3 V_{CC}$	V	
	V_{ILS}	\overline{RST} , $\overline{INT1}$ to $\overline{INT7}$, UCK, UI, $\overline{INT1}$ to $\overline{INT7}$, SCK1, SCK2, SI1, SI2	—	$V_{SS}-0.3$	—	$0.2 V_{CC}$	V	
	V_{IL2C}	SCL, SDA	—	$V_{SS}-0.3$	—	$0.3 V_{CC}$	V	
Open-drain output application voltage	V_{D1}	P53, P54	—	$V_{SS}-0.3$	—	$V_{CC}+0.3$	V	
"H" level Output voltage	V_{OH}	P00 to P07, P10 to P17, P20 to P24, P40 to P47	$I_{OH} = -2.0\text{ mA}$	2.6	—	—	V	
		P31 to P37, CLK1, CLK2	$I_{OH} = -1.0\text{ mA}$	2.6	—	—	V	
		USBP	$I_{OH} = -2.4\text{ mA}$	3.0	—	—	V	USB Pull up, $V_{CC} = 3.1\text{ V}$ to 3.6 V

(Continued)

MB89051 Series

(Continued)

($V_{CC} = 3.3\text{ V}$, $V_{SS} = 0\text{ V}$, $T_A = -40\text{ }^\circ\text{C}$ to $+85\text{ }^\circ\text{C}$)

Parameter	Symbol	Pin	Condition	Value			Unit	Remarks
				Min	Typ	Max		
“L” level Output voltage	V_{OL}	P00 to P07, P10 to P17, P20 to P24, P40 to P47, P53, P54, \overline{RST}	$I_{OL} = 4.0\text{ mA}$	—	—	0.4	V	
		P31 to P37, CLK1, CLK2	$I_{OL} = 1.0\text{ mA}$	—	—	0.4	V	
Input leakage current (Hi-Z output leakage current)	I_{LI}	P00 to P07, P10 to P17, P20 to P27, P31 to P37, P40 to P47, CLK1, CLK2	$0.0\text{ V} < V_I < V_{CC}$	-5	—	+5	μA	When no pullup resistance is specified
		—		—	+5	μA		
		—		—	+5	μA		
Open-drain output leakage current	I_{LIOD}	P53, P54	$0.0\text{ V} < V_I < V_{SS} + 5.5\text{ V}$	—	—	+5	μA	
Pullup resistance	R_{PULL}	P00 to P07, P10 to P17, P20 to P27, P31 to P37, P40 to P47, P53, P54, \overline{RST}	$V_I = 0.0\text{ V}$	25	50	100	k Ω	\overline{RST} is excluded when pullup resistance available is specified.
Power supply current	I_{CC}	V_{CC}	$F_{CH} = 12.0\text{ MHz}$, $V_{CC} = 3.3\text{ V}$, $t_{inst} = 0.333\text{ }\mu\text{s}$	—	29	42	mA	MB89F051
				—	28	41	mA	MB89051
	I_{CCS1}		$F_{CH} = 12.0\text{ MHz}$, $V_{CC} = 3.3\text{ V}$, $t_{inst} = 0.333\text{ }\mu\text{s}$	—	20	30	mA	Sleep mode
				I_{CCH}	$T_A = +25\text{ }^\circ\text{C}$	—	40	70
Input capacitance	C_{IN}	Other than V_{CC} and V_{SS}	$f = 1\text{ MHz}$	—	10	—	pF	

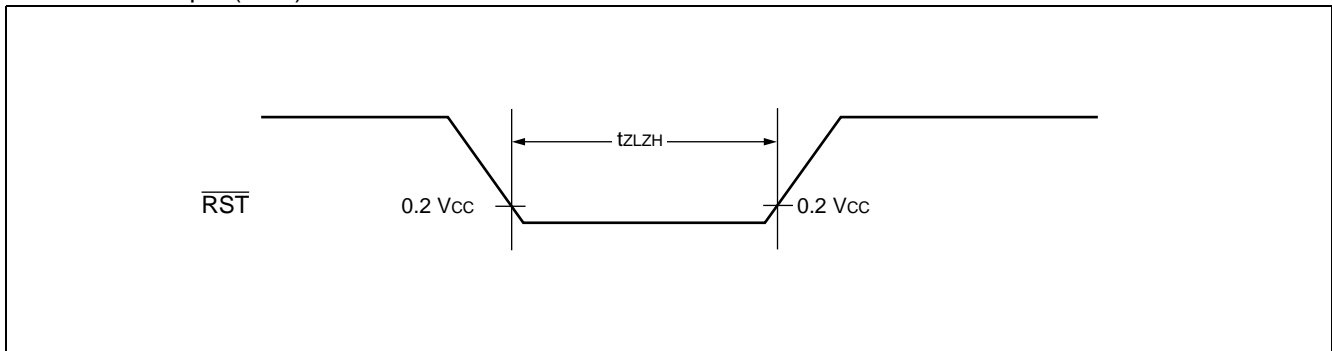
5. AC Characteristics

(1) Reset Timing

($V_{CC} = 5.0\text{ V}$, $V_{SS} = 0\text{ V}$, $T_A = -40\text{ }^\circ\text{C}$ to $+85\text{ }^\circ\text{C}$)

Parameter	Symbol	Condition	Value		Unit	Remarks
			Min	Max		
$\overline{\text{RST}}$ "L" pulse width	t_{LZH}	—	48 t_{HCYL}	—	ns	

- Notes :
- t_{HCYL} is the oscillation cycle for the internal main clock.
 - If the reset pulse applied to the external reset pin ($\overline{\text{RST}}$) does not meet the specifications, it may cause malfunctions. Use caution so that the reset pulse less than the specifications will not be fed to the external reset pin ($\overline{\text{RST}}$).

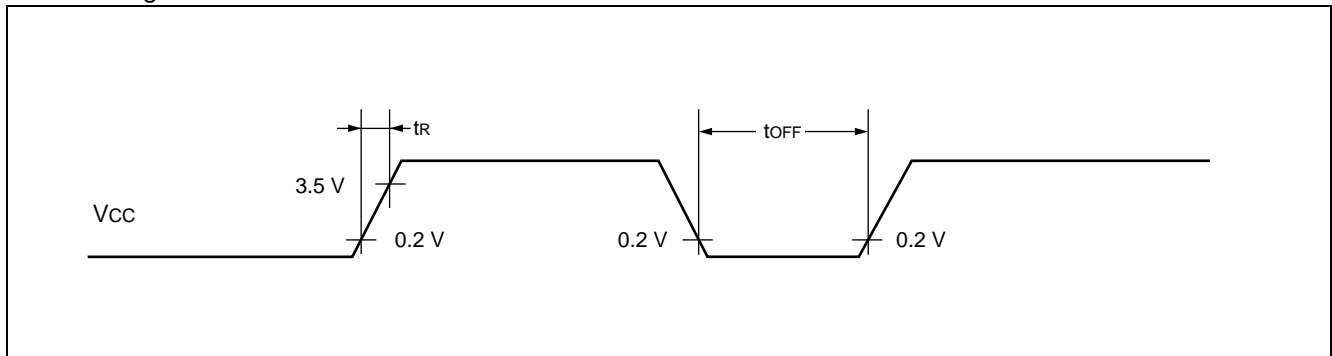


(2) Power-on reset

($V_{SS} = 0\text{ V}$, $T_A = -40\text{ }^\circ\text{C}$ to $+85\text{ }^\circ\text{C}$)

Parameter	Symbol	Condition	Value		Unit	Remarks
			Min	Max		
Power supply rising time	t_{R}	—	0.066	50	ms	
Power supply cutoff time	t_{OFF}	—	4	—	ns	Due to repeated operations

- Note : The power supply must be up within the selected oscillation stabilization time.
When the supply voltage needs to be varied while operating, it is recommended to smoothly start up the voltage.



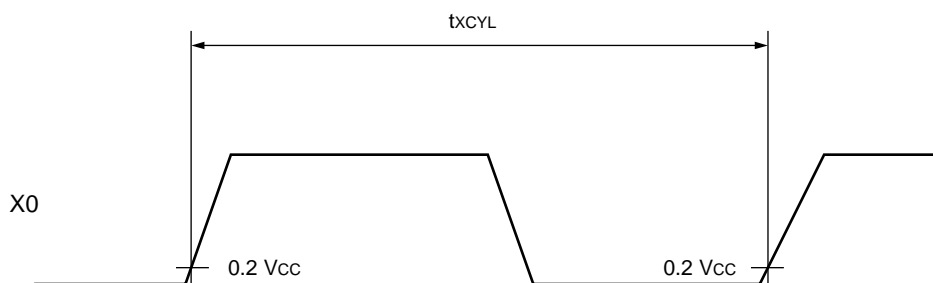
MB89051 Series

(3) Clock Timing

($V_{SS} = 0\text{ V}$, $T_A = -40\text{ }^{\circ}\text{C}$ to $+85\text{ }^{\circ}\text{C}$)

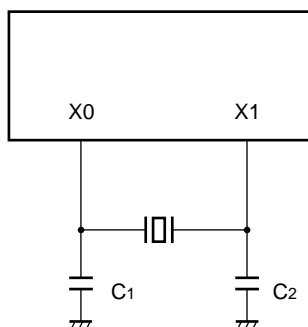
Parameter	Symbol	Pin name	Condition	Value			Unit	Remarks
				Min	Typ	Max		
Clock frequency	F_C	X0, X1	—	—	6	—	MHz	
Clock cycle time	t_{XCYL}	X0, X1		—	166.6	—	ns	
Internal main clock frequency	F_{CH}	—		—	12	—	MHz	Twice the F_C
Internal clock cycle	t_{HCYL}	—		—	83.3	—	ns	$t_{XCYL}/2$

• X0 and X1 Timing and Conditions



• Clock Conditions

When a crystal resonator is used



(4) Instruction Cycle

($V_{SS} = 0\text{ V}$, $T_A = -40\text{ }^{\circ}\text{C}$ to $+85\text{ }^{\circ}\text{C}$)

Parameter	Symbol	Value	Unit	Remarks
Instruction cycle (Min execution time)	t_{inst}	$4 / F_{CH}$, $8 / F_{CH}$, $16 / F_{CH}$, $64 / F_{CH}$	μS	When operating at $F_{CH} = 12\text{ MHz}$ $t_{inst} = 0.33\text{ }\mu\text{S}$ ($4 / F_{CH}$)

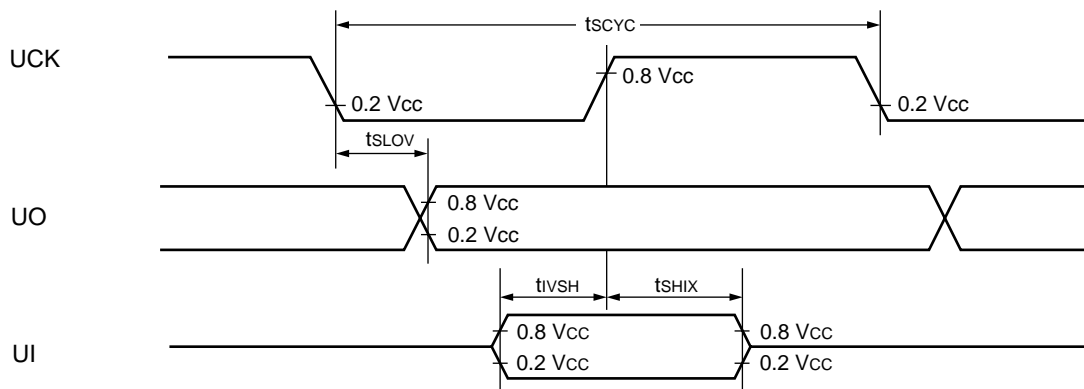
(5) UART Serial I/O Timing

($V_{CC} = 5.0\text{ V}$, $V_{SS} = 0\text{ V}$, $T_A = -40\text{ }^\circ\text{C}$ to $+85\text{ }^\circ\text{C}$)

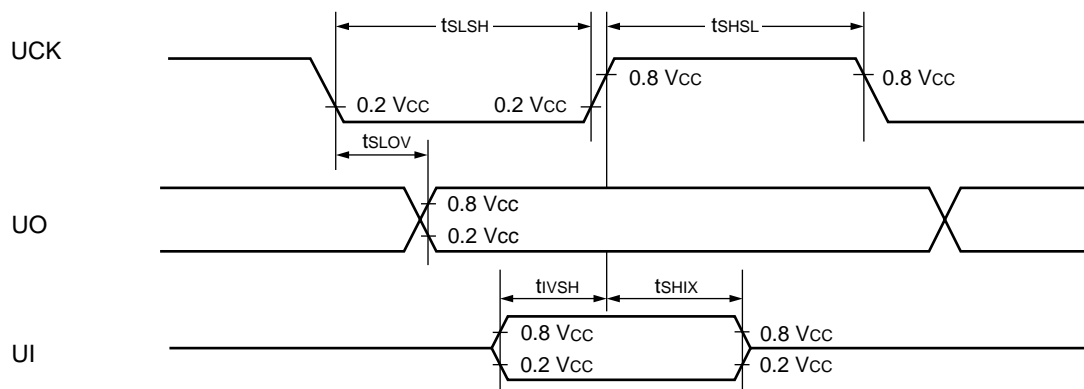
Parameter	Symbol	Pin name	Condition	Value		Unit	Remarks
				Min	Max		
Serial clock cycle time	t_{SCYC}	UCK	Internal shift clock mode	$2 t_{inst}^*$	—	μs	
UCK $\downarrow \rightarrow$ UO	t_{SLOV}	UCK, UO		-200	+200	ns	
Valid UI \rightarrow UCK \uparrow	t_{IVSH}	UI, UCK		200	—	ns	
UCK $\uparrow \rightarrow$ valid UI hold time	t_{SHIX}	UCK, UI		200	—	ns	
Serial clock "H" pulse width	t_{SHSL}	UCK	External shift clock mode	$1 t_{inst}^*$	—	μs	
Serial clock "L" pulse width	t_{SLSH}			$1 t_{inst}^*$	—	μs	
UCK $\downarrow \rightarrow$ UO time	t_{SLOV}	UCK, UO		0	200	ns	
Valid UI \rightarrow UCK \uparrow	t_{IVSH}	UI, UCK		200	—	ns	
UCK $\uparrow \rightarrow$ valid UI hold time	t_{SHIX}	UCK, UI		200	—	ns	

* : For information on t_{inst} , see "(4) Instruction Cycle".

• Internal shift clock mode



• External shift clock mode



MB89051 Series

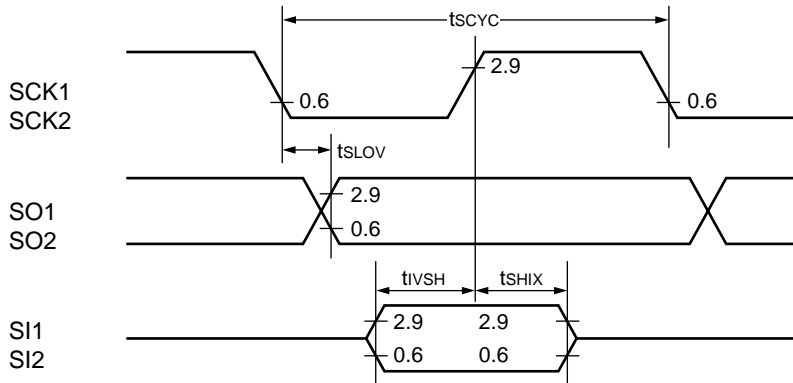
(6) Serial I/O Timing

($V_{CC} = 5.0\text{ V}$, $V_{SS} = 0\text{ V}$, $T_A = -40\text{ }^{\circ}\text{C}$ to $+85\text{ }^{\circ}\text{C}$)

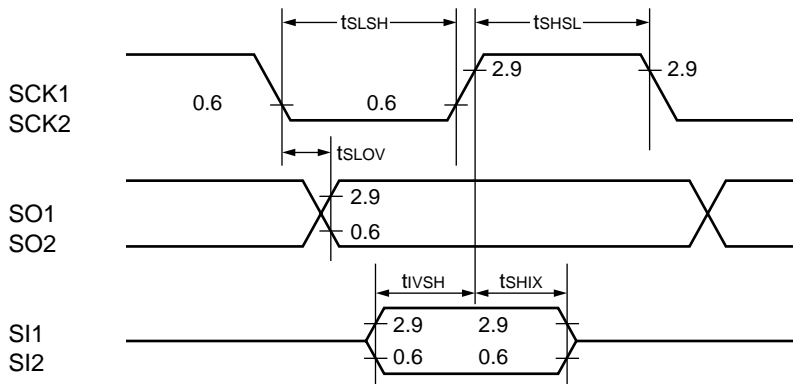
Parameter	Symbol	Pin name	Condition	Value		Unit	Remarks
				Min	Max		
Serial clock cycle time	t_{SCYC}	SCK1, SCK2	Internal shift clock mode	$2 t_{inst}^*$	—	μs	
SCK $\downarrow \rightarrow$ SO time	t_{SLOV}	SCK1, SO1, SCK2, SO2		-200	+200	ns	
Valid SI \rightarrow SCK \uparrow	t_{IVSH}	SCK1, SI1, SCK2, SI2		200	—	ns	
SCK $\uparrow \rightarrow$ Valid SI hold time	t_{SHIX}	SCK1, SI1, SCK2, SI2		200	—	ns	
Serial clock "H" pulse width	t_{SHSL}	SCK1, SCK2	External shift clock mode	t_{inst}^*	—	μs	
Serial clock "L" pulse width	t_{LSLH}	SCK1, SCK2		t_{inst}^*	—	μs	
SCK $\downarrow \rightarrow$ SO time	t_{SLOV}	SCK1, SO1, SCK2, SO2		0	200	ns	
Valid SI \rightarrow SCK	t_{IVSH}	SCK1, SI1, SCK2, SI2		200	—	μs	
SCK $\uparrow \rightarrow$ Valid SI hold time	t_{SHIX}	SCK1, SI1, SCK2, SI2		200	—	μs	

* : For information on t_{inst} , see "(4) Instruction Cycle".

• Internal shift clock mode



• External shift clock mode

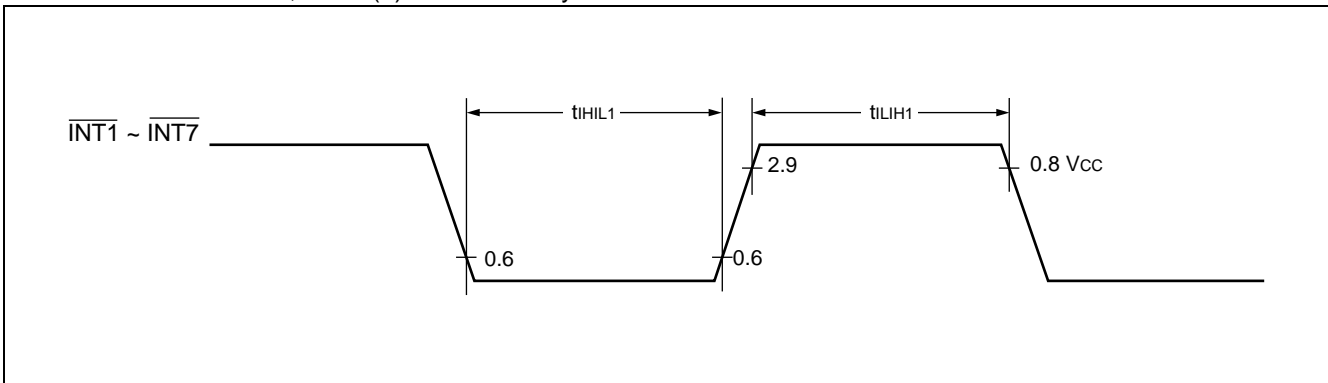


(7) Peripheral Input Timing

($V_{CC} = 5.0\text{ V}$, $V_{SS} = 0\text{ V}$, $T_A = -40\text{ }^\circ\text{C}$ to $+85\text{ }^\circ\text{C}$)

Parameter	Symbol	Pin name	Condition	Value		Unit	Remarks
				Min	Max		
Peripheral input "H" pulse width 1	t_{LIH1}	$\overline{\text{INT1}}$ to $\overline{\text{INT7}}$	—	$2 t_{inst}^*$	—	μs	
Peripheral input "L" pulse width 1	t_{HIL1}		—	$2 t_{inst}^*$	—	μs	

* : For information on t_{inst} , see " (4) Instruction Cycle".



MB89051 Series

(8) I²C Timing

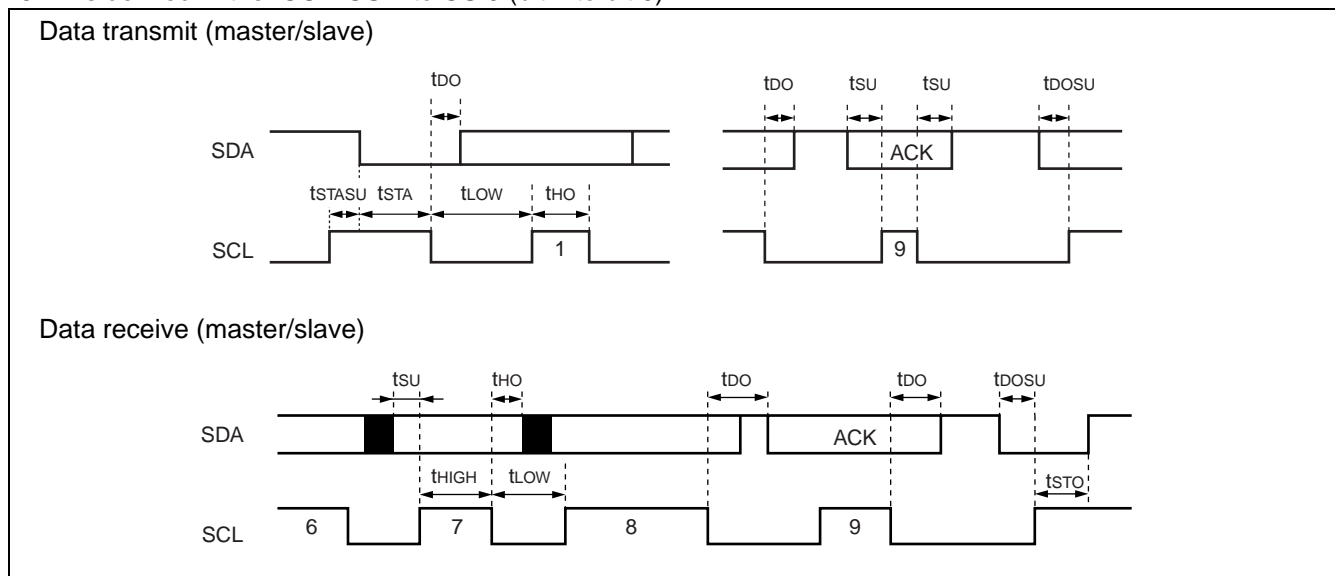
(V_{CC} = 5.0 V, V_{SS} = 0 V, T_A = -40 °C to +85 °C)

Parameter	Symbol	Pin	Value		Unit	Remarks
			Min	Max		
Start condition output	t _{STA}	SCL, SDA	$1 / 4 \times t_{inst}^{*1} \times m_t^{*2} \times n_t^{*3} - 20$	$1 / 4 \times t_{inst}^{*1} \times m_t^{*2} \times n_t^{*3} + 20$	ns	Master mode
Stop condition output	t _{STO}	SCL, SDA	$1 / 4 \times t_{inst}^{*1} \times (m_t^{*2} \times n_t^{*3} + 8) - 20$	$1 / 4 \times t_{inst}^{*1} \times (m_t^{*2} \times n_t^{*3} + 8) + 20$	ns	Master mode
Start condition detect	t _{STA}	SCL, SDA	$1 / 4 \times t_{inst}^{*1} \times 6 + 40$	—	ns	
Stop condition detect	t _{STO}	SCL, SDA	$1 / 4 \times t_{inst}^{*1} \times 6 + 40$	—	ns	
Restart condition output	t _{STASU}	SCL, SDA	$1 / 4 \times t_{inst}^{*1} \times (m_t^{*2} \times n_t^{*3} + 8) - 20$	$1 / 4 \times t_{inst}^{*1} \times (m_t^{*2} \times n_t^{*3} + 8) + 20$	ns	Master mode
Restart condition detect	t _{STASU}	SCL, SDA	$1 / 4 \times t_{inst}^{*1} \times 4 + 40$	—	ns	
SCL output Low width	t _{LOW}	SCL	$1 / 4 \times t_{inst}^{*1} \times m_t^{*2} \times n_t^{*3} - 20$	$1 / 4 \times t_{inst}^{*1} \times m_t^{*2} \times n_t^{*3} + 20$	ns	Master mode
SCL output High width	t _{HIGH}	SCL	$1 / 4 \times t_{inst}^{*1} \times (m_t^{*2} \times n_t^{*3} + 8) - 20$	$1 / 4 \times t_{inst}^{*1} \times (m_t^{*2} \times n_t^{*3} + 8) + 20$	ns	Master mode
SDA output delay	t _{DO}	SDA	$1 / 4 \times t_{inst}^{*1} \times 4 - 20$	$1 / 4 \times t_{inst}^{*1} \times 4 + 20$	ns	
SDA output setup time after interrupt	t _{DOSU}	SDA	$1 / 4 \times t_{inst}^{*1} \times 4 - 20$	—	ns	
SCL input Low pulse width	t _{LOW}	SCL	$1 / 4 \times t_{inst}^{*1} \times 6 + 40$	—	ns	
SCL input High pulse width	t _{HIGH}	SCL	$1 / 4 \times t_{inst}^{*1} \times 2 + 40$	—	ns	
SDA input setup time	t _{SU}	SDA	40	—	ns	
SDA hold time	t _{HO}	SDA	0	—	ns	

*1 : For information on t_{inst}, see “ (4) Instruction Cycle”.

*2 : m is defined in the ICCR CS 4 to CS 3 (bit 4 to bit 3) .

*3 : n is defined in the ICCR CS 2 to CS 0 (bit 2 to bit 0) .



6. FLASH Program/Erase characteristics

• Program/Erase characteristics

Parameter	Condition	Value			Unit	Remarks
		Min	Typ	Max		
Sector erase time	T _A = +25 °C V _{CC} = 5.0 V	—	1	15	s	Except for the write time before internal erase operation
Chip erase time		—	5	75	s	Except for the write time before internal erase operation
Byte program time		—	8	3,600	μs	Except for the over head time of the system.
Prgram/erase cycle		10,000	—	—	cycle	

MB89051 Series

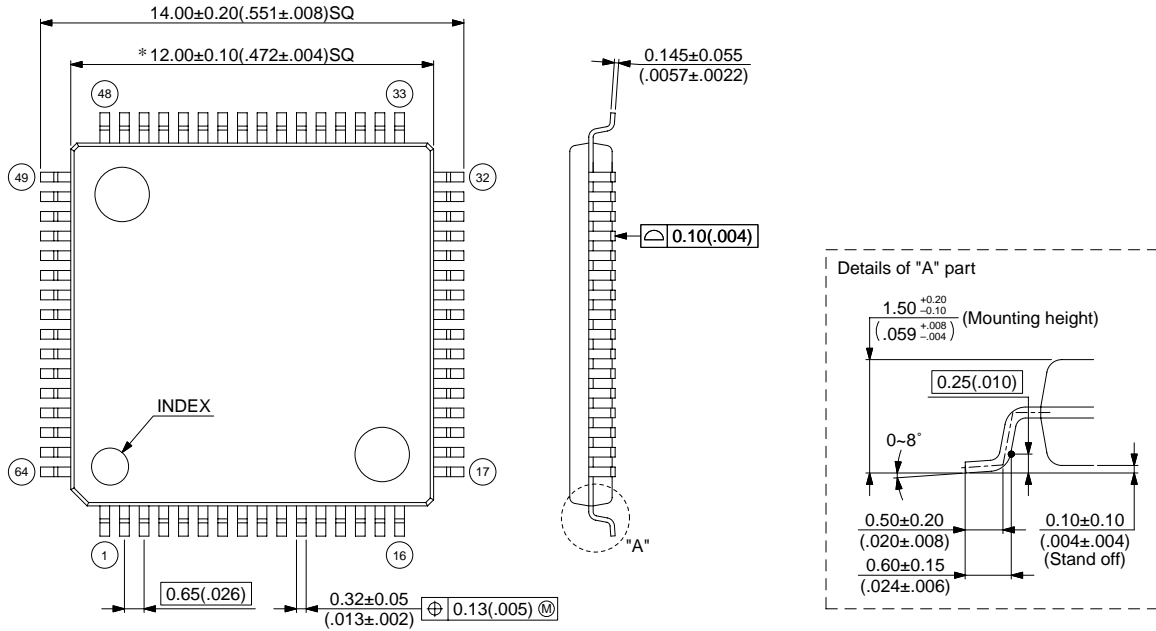
■ ORDERING INFORMATION

Part Number	Package	Remarks
MB89051PFM MB89F051PFM	64-pin plastic LQFP (FPT-64P-M09)	

■ PACKAGE DIMENSIONS

64-pin plastic LQFP
(FPT-64P-M09)

Note 1) * : These dimensions do not include resin protrusion.
 Note 2) Pins width and pins thickness include plating thickness.
 Note 3) Pins width do not include tie bar cutting remainder.



© 2003 FUJITSU LIMITED F64018S-c-3-5

Dimensions in mm (inches)

Note : The values in parentheses are reference values.

FUJITSU LIMITED

All Rights Reserved.

The contents of this document are subject to change without notice. Customers are advised to consult with FUJITSU sales representatives before ordering.

The information, such as descriptions of function and application circuit examples, in this document are presented solely for the purpose of reference to show examples of operations and uses of Fujitsu semiconductor device; Fujitsu does not warrant proper operation of the device with respect to use based on such information. When you develop equipment incorporating the device based on such information, you must assume any responsibility arising out of such use of the information. Fujitsu assumes no liability for any damages whatsoever arising out of the use of the information.

Any information in this document, including descriptions of function and schematic diagrams, shall not be construed as license of the use or exercise of any intellectual property right, such as patent right or copyright, or any other right of Fujitsu or any third party or does Fujitsu warrant non-infringement of any third-party's intellectual property right or other right by using such information. Fujitsu assumes no liability for any infringement of the intellectual property rights or other rights of third parties which would result from the use of information contained herein.

The products described in this document are designed, developed and manufactured as contemplated for general use, including without limitation, ordinary industrial use, general office use, personal use, and household use, but are not designed, developed and manufactured as contemplated (1) for use accompanying fatal risks or dangers that, unless extremely high safety is secured, could have a serious effect to the public, and could lead directly to death, personal injury, severe physical damage or other loss (i.e., nuclear reaction control in nuclear facility, aircraft flight control, air traffic control, mass transport control, medical life support system, missile launch control in weapon system), or (2) for use requiring extremely high reliability (i.e., submersible repeater and artificial satellite).

Please note that Fujitsu will not be liable against you and/or any third party for any claims or damages arising in connection with above-mentioned uses of the products.

Any semiconductor devices have an inherent chance of failure. You must protect against injury, damage or loss from such failures by incorporating safety design measures into your facility and equipment such as redundancy, fire protection, and prevention of over-current levels and other abnormal operating conditions.

If any products described in this document represent goods or technologies subject to certain restrictions on export under the Foreign Exchange and Foreign Trade Law of Japan, the prior authorization by Japanese government will be required for export of those products from Japan.