



# SERIAL DATA TRANSMITTER/ RECEIVER

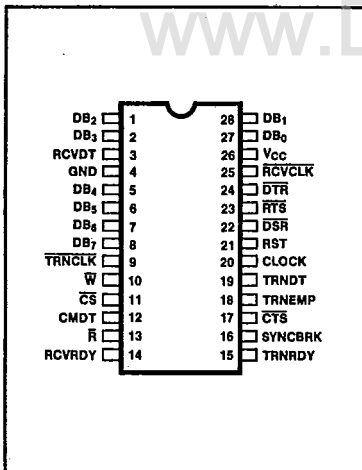
## MB89251A

April 1986

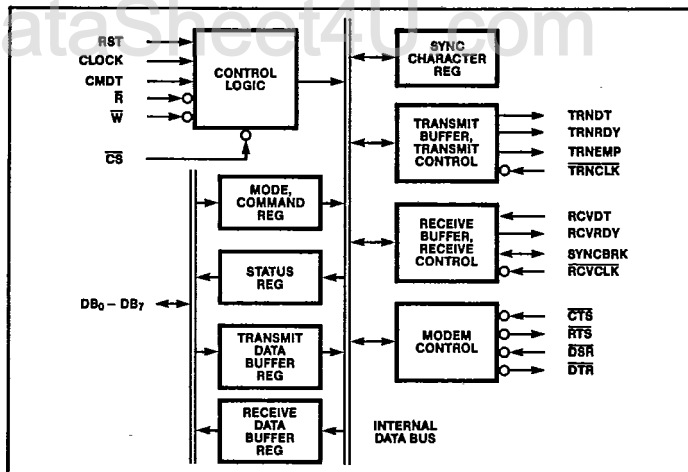
### DESCRIPTION

The Fujitsu MB89251A Serial Data Transmitter/Receiver provides a duplex communications link between serial-data peripherals and the master processing system. The MB89251A supports both synchronous and asynchronous modes of operation and provides data transfer rates of up to 240K-bps. The MB89251A is fabricated in CMOS and is housed in a 28-pin plastic DIP. The device is functionally compatible with the Intel 8251A NMOS device.

### PIN CONFIGURATION



### BLOCK DIAGRAM



This device contains circuitry to protect the inputs against damage due to high static voltages or electric fields. However, it is advised that normal precautions be taken to avoid application of any voltage higher than maximum rated voltages to this high impedance circuit.