

# 32-bit Proprietary Microcontroller

CMOS

## FR Family MB91191/192 Series

### MB91191R/MB91192/MB91F191A/MB91F192

#### ■ DESCRIPTION

The MB91191/192 series is a single-chip microcontroller using a 32-bit RISC-CPU (FR series) as its core. It contains peripheral I/O resources suitable for software servo control in applications such as VTRs that require high-speed CPU processing.

#### ■ FEATURES

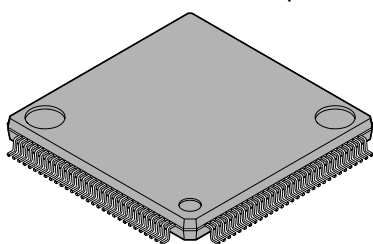
##### CPU

- 32-bit RISC (FR series) , load/store architecture, 5-stage pipeline
- General-purpose registers :  $16 \times 32$ -bit
- 16-bit fixed-length instructions (basic instructions) , 1 instruction per cycle
- Includes memory-to-memory transfer, bit manipulation, and barrel shift instructions :  
Optimized for embedded applications
- Includes function entry/exit instructions and multiple-register load/store instructions :  
Instruction set supports high level languages
- Register interlock function : For efficient assembly language coding
- Branch instructions with delay slots : Reduced overhead for branch operations
- Internal multiplier unit is supported at instruction level  
Signed 32-bit multiplication : 5 cycles  
Signed 16-bit multiplication : 3 cycles
- Interrupts (PC and PS saving) : 6 cycles, 16 priority levels

(Continued)

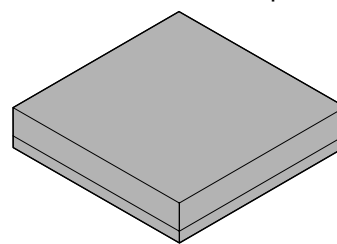
#### ■ PACKAGE

Plastic, LQFP, 120-pin



(FPT-120P-M05)

Plastic, FLGA, 144-pin



(LGA-144P-M02)

# MB91191/192 Series

## Bus Interface

- 16-bit address output, 8/16-bit data input and output
- Basic bus cycle : 2 clock cycles
- Supports interfaces for various types of memory
- Multiplexed data/address input/output
- Automatic wait cycles : Between 0 and 7 wait cycles can be specified independently for each memory area
- Unused data/address pins can be configured as input/output ports
- Supports little endian mode

## Bit Search Module

- Searches, starting from the MSB, for the position of the first 1/0 bit transition in a word. The operation is performed in one cycle.

## Serial I/O

- 3 channels with internal buffer RAM (automatic transfer of up to 128 bytes)
- Independent send and receive buffer mode (automatic transfer of up to 64 bytes)

## A/D Converter (Successive Approximation Type)

- 10-bit  $\times$  16 channels
- Uses successive approximation conversion method (conversion time : 8.4  $\mu$ s @ 20 MHz)
- Channel scan function
- Hardware and software conversion start functions
- Internal FIFO (Software conversion : 6 stages, Hardware conversion : 6 stages)

## Timers

- 16-bit  $\times$  4 channels
- 16-bit timer/counter  $\times$  1 channel (with square wave output)
- 8/16-bit timer/counter  $\times$  1 channel (with square wave output)

## FG input unit

- Incorporates capstan, drum, and reel input circuits

## Capture unit

- Internal 24-bit free-run counter (Minimum resolution = 50 ns @ 20 MHz)
- Internal FIFO (Data : 21-bit  $\times$  8, Detection : 8-bit  $\times$  8)

## Programmable pattern generator

- Internal RAM buffer (PPG0 : 256 bytes, PPG1 : 64 bytes)
- Output timing resolution : 800 ns @ 20 MHz
- Includes an A/D converter hardware start function

## Realtime timing generator

- RTG : 3 circuits
- Output timing resolution : 400 ns or 800 ns selectable
- Timing output ports : 5 ports

## PWM

- 12-bit PWM  $\times$  6 channels (rate, multi-type)
- Base frequency = 78.1 kHz or 39.0 kHz (@ 20 MHz) selectable

(Continued)

*(Continued)*

**PWC**

- 8-bit PWC × 1 channel (with mask input)
- Measurement resolution : 400 ns @ 20 MHz

**General-purpose prescaler**

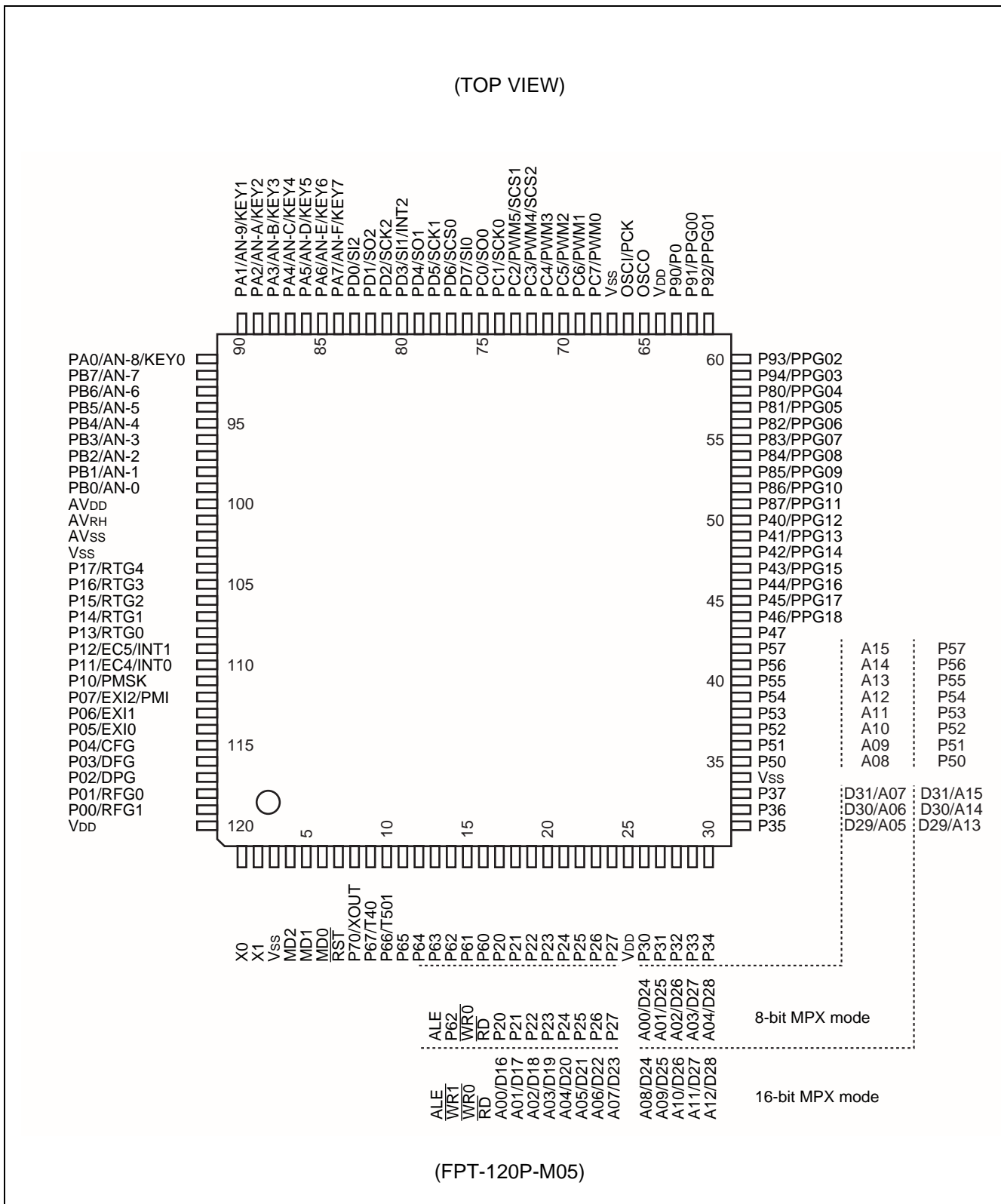
- 10-bit prescaler × 1 channel (with square wave and pulse outputs)
- Dedicated internal oscillator circuit
- Includes load function driven by PPG output

**Interrupt control**

- External interrupts : 3 inputs
- Key input interrupt : 8 inputs

# MB91191/192 Series

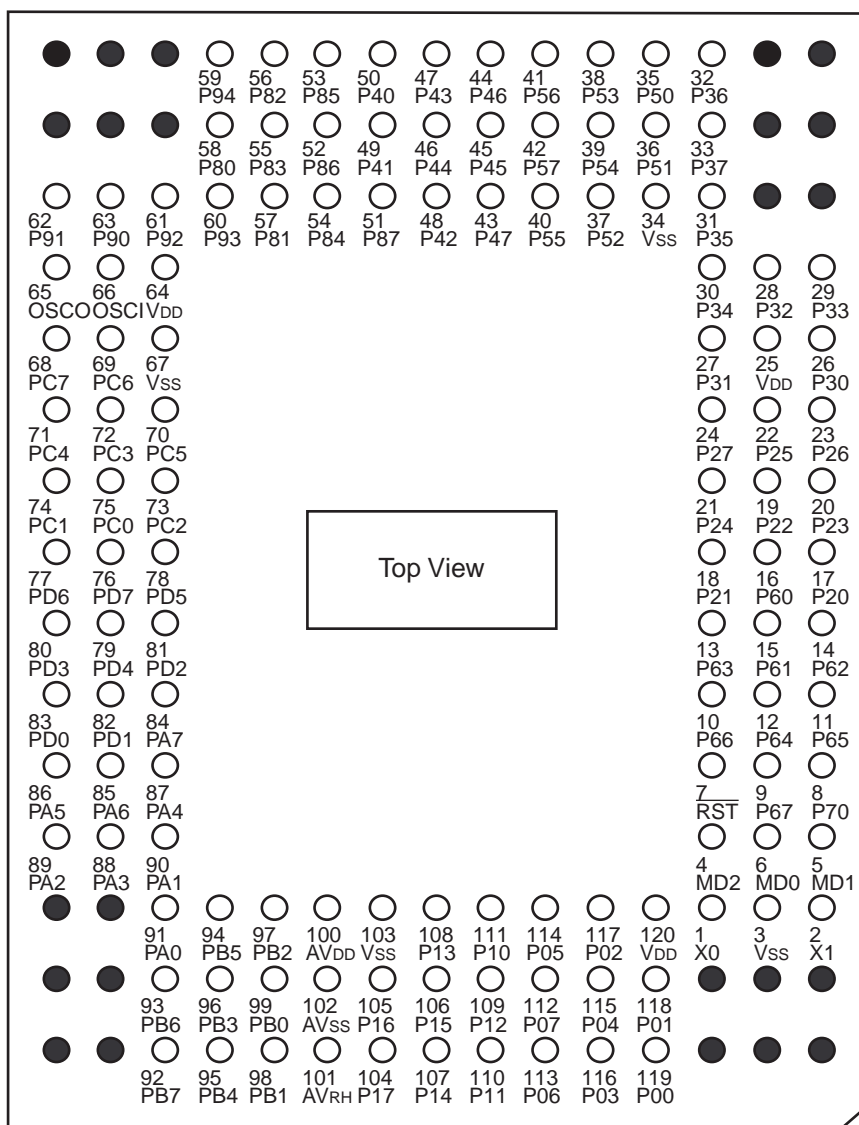
## PIN ASSIGNMENT



(Continued) www.DataSheet4U.com

# MB91191/192 Series

(Continued)



(LGA-144P-M02)

Note : The FLGA-144 package is not supplied for the MB91191 series.  
It is supplied only for the MB91192 series.

# MB91191/192 Series

## ■ PIN DESCRIPTIONS

Pin No.	Pin Name	Circuit Type	Function
1	X0 (I)	A	Crystal oscillator pins
2	X1 (O)		
3	V <sub>SS</sub>	—	V <sub>SS</sub> pin
4	MD2	B	Operation mode setting pins CMOS Schmitt inputs
5	MD1		
6	MD0		
7	$\overline{\text{RST}}$	B	Reset input pin. CMOS Schmitt input.
8	P70/XOUT	C	Shared pin with clock output (X0/2, PCK/2) . CMOS input.
9	P67/T40	C	Shared pin with timer 4 square wave output. CMOS input.
10	P66/T501		Shared pin with timer 5 square wave output. CMOS input.
11	P65		General-purpose I/O port. CMOS input.
12	P64		General-purpose I/O port. CMOS input.
13	P63/ALE/ALE		Shared pin with address strobe output. CMOS input.
14	P62/P62/ $\overline{\text{WR1}}$		Shared pin with write strobe output 1. CMOS input.
15	P61/ $\overline{\text{WR0}}$ / $\overline{\text{WR0}}$		Shared pin with write strobe output 0. CMOS input.
16	P60/ $\overline{\text{RD}}$ / $\overline{\text{RD}}$		Shared pin with read strobe output. CMOS input.
17	P20/P20/D16 : A00		C
18	P21/P21/D17 : A01		
19	P22/P22/D18 : A02		
20	P23/P23/D19 : A03		
21	P24/P24/D20 : A04		
22	P25/P25/D21 : A05		
23	P26/P26/D22 : A06		
24	P27/P27/D23 : A07		
25	V <sub>DD</sub>	—	Power supply pin
26	P30/D24 : A00/D24 : A08	C	Shared external bus pins and high-current I/O ports. CMOS inputs.
27	P31/D25 : A01/D25 : A09		
28	P32/D26 : A02/D26 : A10		
29	P33/D27 : A03/D27 : A11		
30	P34/D28 : A04/D28 : A12		
31	P35/D29 : A05/D29 : A13		
32	P36/D30 : A06/D30 : A14		
33	P37/D31 : A07/D31 : A15		
34	V <sub>SS</sub>	—	V <sub>SS</sub> pin

# MB91191/192 Series

Pin No.	Pin Name	Circuit Type	Function
35	P50/A08/P50	C	Shared external bus pins and high-current I/O ports. CMOS inputs.
36	P51/A09/P51		
37	P52/A10/P52		
38	P53/A11/P53		
39	P54/A12/P54		
40	P55/A13/P55		
41	P56/A14/P56		
42	P57/A15/P57		
43	P47	C	General-purpose I/O port. CMOS input.
44	P46/PPG18		Shared pins with PPG outputs. CMOS inputs.
45	P45/PPG17		
46	P44/PPG16		
47	P43/PPG15		
48	P42/PPG14		
49	P41/PPG13		
50	P40/PPG12		
51	P87/PPG11	C	Shared pins with PPG outputs. CMOS inputs.
52	P86/PPG10		
53	P85/PPG09		
54	P84/PPG08		
55	P83/PPG07		
56	P82/PPG06		
57	P81/PPG05		
58	P80/PPG04		
59	P94/PPG03	C	Shared pins with PPG outputs. CMOS inputs.
60	P93/PPG02		
61	P92/PPG01	C	Shared pins with PPG outputs. CMOS inputs.
62	P91/PPG00		
63	P90/P0		
64	V <sub>DD</sub>	—	Power supply pin
65	OSCO (O)	A	Crystal oscillator pins for dedicated general-purpose prescaler oscillation.
66	OSCI/PCK (I)		
67	V <sub>SS</sub>	—	V <sub>SS</sub> pin

(Continued)

# MB91191/192 Series

Pin No.	Pin Name	Circuit Type	Function
68	PC7/PWM0	C	Shared pins with PWM outputs. CMOS inputs.
69	PC6/PWM1		
70	PC5/PWM2		
71	PC4/PWM3		
72	PC3/PWM4/SCS2	F	Shared pin with PWM output and serial 2 chip select. CMOS Schmitt input.
73	PC2/PWM5/SCS1		Shared pin with PWM output and serial 1 chip select. CMOS Schmitt input.
74	PC1/SCK0		Shared pin with serial 0 shift clock. CMOS Schmitt input.
75	PC0/SO0	C	Shared pin with serial 0 serial output. CMOS input.
76	PD7/SI0	F	Shared pin with serial 0 serial input. CMOS Schmitt input.
77	PD6/SCS0		Shared pin with serial 0 chip select input. CMOS Schmitt input.
78	PD5/SCK1		Shared pin with serial 1 shift clock. CMOS Schmitt input.
79	PD4/SO1	C	Shared pin with serial 1 serial output. CMOS input.
80	PD3/SI1/INT2	F	Shared pin with serial 1 serial input and external interrupt 2. CMOS Schmitt input.
81	PD2/SCK2		Shared pin with serial 2 shift clock. CMOS Schmitt input.
82	PD1/SO2	C	Shared pin with serial 2 serial output. CMOS input.
83	PD0/SI2	F	Shared pin with serial 2 serial input. CMOS Schmitt input.
84	PA7/AN-F/KEY7	E	Shared pins with analog inputs and key inputs. CMOS Schmitt inputs
85	PA6/AN-E/KEY6		
86	PA5/AN-D/KEY5		
87	PA4/AN-C/KEY4		
88	PA3/AN-B/KEY3		
89	PA2/AN-A/KEY2		
90	PA1/AN-9/KEY1		
91	PA0/AN-8/KEY0		

(Continued)



# MB91191/192 Series

(Continued)

Pin No.	Pin Name	Circuit Type	Function
92	PB7/AN-7	D	Shared pins with analog inputs. CMOS Schmitt inputs.
93	PB6/AN-6		
94	PB5/AN-5		
95	PB4/AN-4		
96	PB3/AN-3		
97	PB2/AN-2		
98	PB1/AN-1		
99	PB0/AN-0		
100	AV <sub>DD</sub>	—	A/D converter power supply pin
101	AV <sub>RH</sub>	—	A/D converter reference power supply pin
102	AV <sub>SS</sub>	—	A/D converter V <sub>SS</sub> pin
103	V <sub>SS</sub>	—	V <sub>SS</sub> pin
104	P17/RTG4	C	Shared pins with RTG outputs. CMOS inputs.
105	P16/RTG3		
106	P15/RTG2		
107	P14/RTG1		
108	P13/RTG0		
109	P12/EC5/INT1	F	Shared pin with timer 5 clock input and external interrupt input. CMOS Schmitt input.
110	P11/EC4/INT0		Shared pin with timer 4 clock input and external interrupt input. CMOS Schmitt input.
111	P10/PMSK		Shared pin with PWC mask input. CMOS Schmitt input.
112	P07/EXI2/PMI	F	Shared pin with external capture input and PWC input. CMOS Schmitt input.
113	P06/EXI1		Shared pin with external capture input. CMOS Schmitt input.
114	P05/EXI0		
115	P04/CFG		Shared pin with capstan FG input. CMOS Schmitt input.
116	P03/DFG		Shared pin with drum FG input. CMOS Schmitt input.
117	P02/DPG		Shared pin with drum pulse input. CMOS Schmitt input.
118	P01/RFG0		Shared pins with reel FG inputs. CMOS Schmitt inputs.
119	P00/RFG1		
120	V <sub>DD</sub>	—	Power supply pin

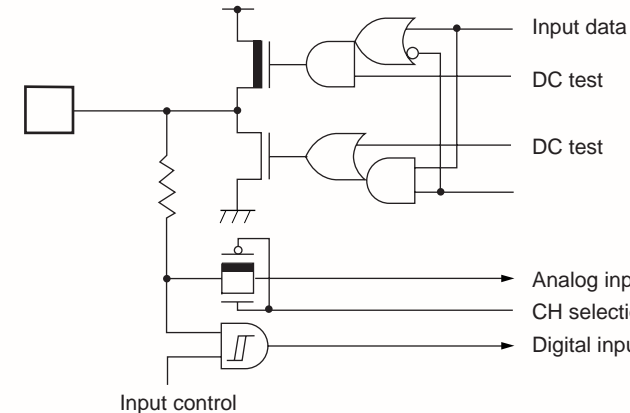
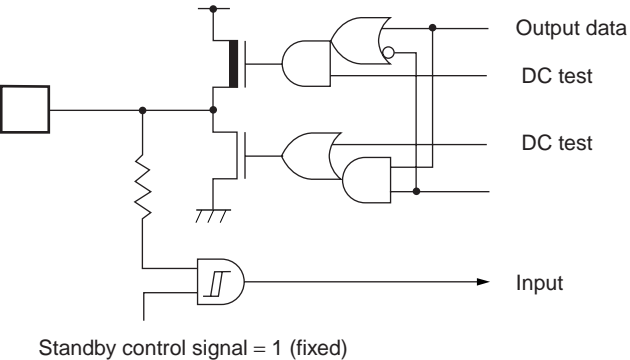
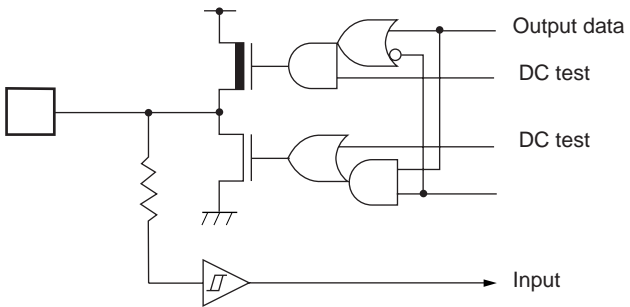
# MB91191/192 Series

## I/O CIRCUITS

Type	Circuit	Remarks
A		<ul style="list-style-type: none"> <li>Oscillation feedback resistor : 1 MΩ approx.</li> </ul>
B		<ul style="list-style-type: none"> <li>CMOS Schmitt input</li> </ul>
C	<p>Standby control signal = 1 (fixed)</p>	<ul style="list-style-type: none"> <li>CMOS level output</li> <li>CMOS input</li> <li>No standby control</li> </ul>
D	<p>Input control</p>	<ul style="list-style-type: none"> <li>CMOS level output</li> <li>CMOS input with input control</li> <li>Analog input</li> </ul>

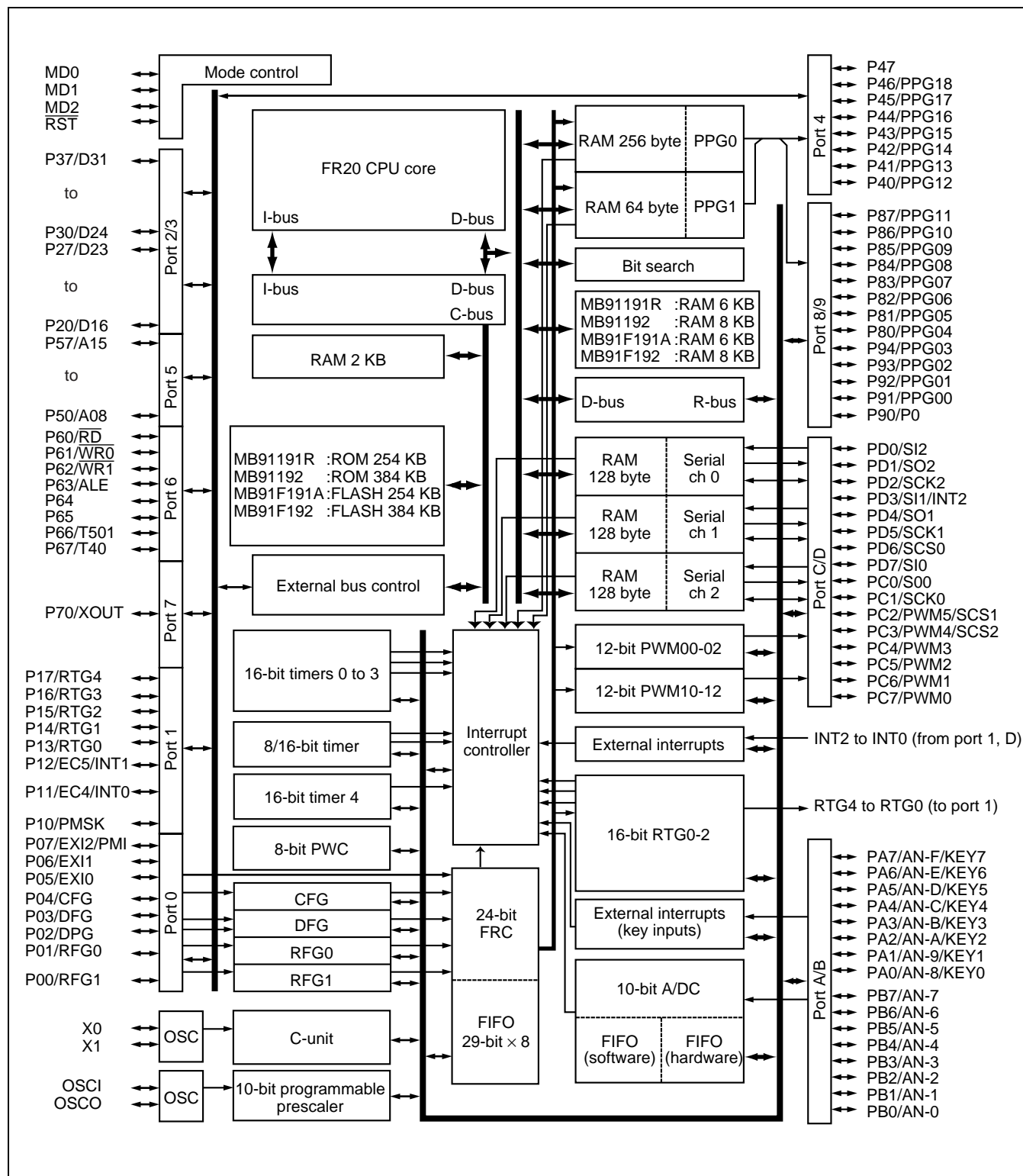
# MB91191/192 Series

(Continued)

Type	Circuit	Remarks
E	 <p>The circuit diagram for Type E shows a CMOS output stage with a pull-up resistor. The output node is connected to a PMOS transistor and a network of NMOS transistors. The NMOS network consists of two parallel branches: one with a single NMOS transistor, and another with two NMOS transistors in series. The gates of these NMOS transistors are connected to 'Input data', 'DC test', and 'DC test' signals. The gates of the PMOS transistor and the first NMOS transistor in the series branch are connected to an 'Input control' signal. The gates of the two NMOS transistors in the series branch are connected to 'Analog input' and 'CH selection' signals. The gates of the two NMOS transistors in the parallel branch are connected to 'Digital input' and 'CH selection' signals.</p>	<ul style="list-style-type: none"> <li>• CMOS level output</li> <li>• CMOS Schmitt input with input control</li> <li>• Analog input</li> </ul>
F	 <p>The circuit diagram for Type F shows a CMOS output stage with a pull-up resistor. The output node is connected to a PMOS transistor and a network of NMOS transistors. The NMOS network consists of two parallel branches: one with a single NMOS transistor, and another with two NMOS transistors in series. The gates of these NMOS transistors are connected to 'Output data', 'DC test', and 'DC test' signals. The gates of the PMOS transistor and the first NMOS transistor in the series branch are connected to a fixed 'Standby control signal = 1'. The gates of the two NMOS transistors in the series branch are connected to 'Input' and 'DC test' signals. The gates of the two NMOS transistors in the parallel branch are connected to 'Input' and 'DC test' signals.</p>	<ul style="list-style-type: none"> <li>• CMOS level output</li> <li>• CMOS Schmitt input</li> <li>No standby control</li> </ul>
H	 <p>The circuit diagram for Type H shows a CMOS output stage with a pull-up resistor. The output node is connected to a PMOS transistor and a network of NMOS transistors. The NMOS network consists of two parallel branches: one with a single NMOS transistor, and another with two NMOS transistors in series. The gates of these NMOS transistors are connected to 'Output data', 'DC test', and 'DC test' signals. The gates of the PMOS transistor and the first NMOS transistor in the series branch are connected to a fixed 'Standby control signal = 1'. The gates of the two NMOS transistors in the series branch are connected to 'Input' and 'DC test' signals. The gates of the two NMOS transistors in the parallel branch are connected to 'Input' and 'DC test' signals.</p>	<ul style="list-style-type: none"> <li>• CMOS level output</li> <li>• CMOS Schmitt input</li> <li>No standby control</li> </ul>

# MB91191/192 Series

## ■ BLOCK DIAGRAM



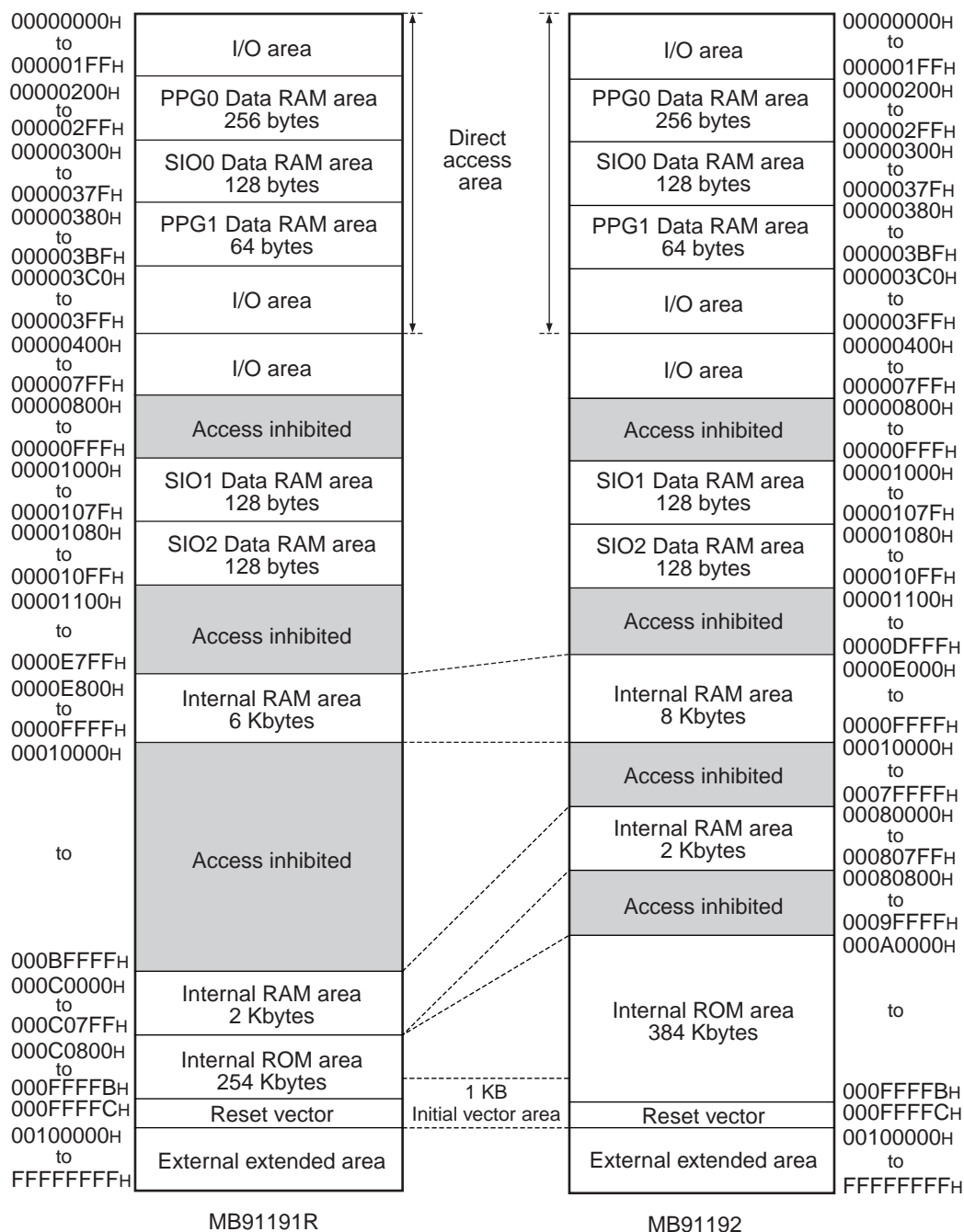
# MB91191/192 Series

## (Bus names)

- I bus : 16-bit bus for internal instructions. As the FR family of CPUs use the Harvard architecture, instructions and data use separate buses. A bus converter is connected to the I bus.
- D bus : Internal 32-bit data bus. The internal peripherals are connected to the D bus.
- C bus : Internal multiplexed bus. Connected to the I and D buses via a switch. An external interface module is connected to the C bus. Data and instructions are multiplexed on the external data bus.
- R bus : Internal 16-bit data bus. The R bus connects to the D bus via an adapter. The I/O, clock oscillator, and interrupt controller are connected to the R bus. As the R bus is only 16 bits wide, address and data are multiplexed on the bus and therefore multiple cycles are required when the CPU accesses these resources.

# MB91191/192 Series

## MEMORY MAP



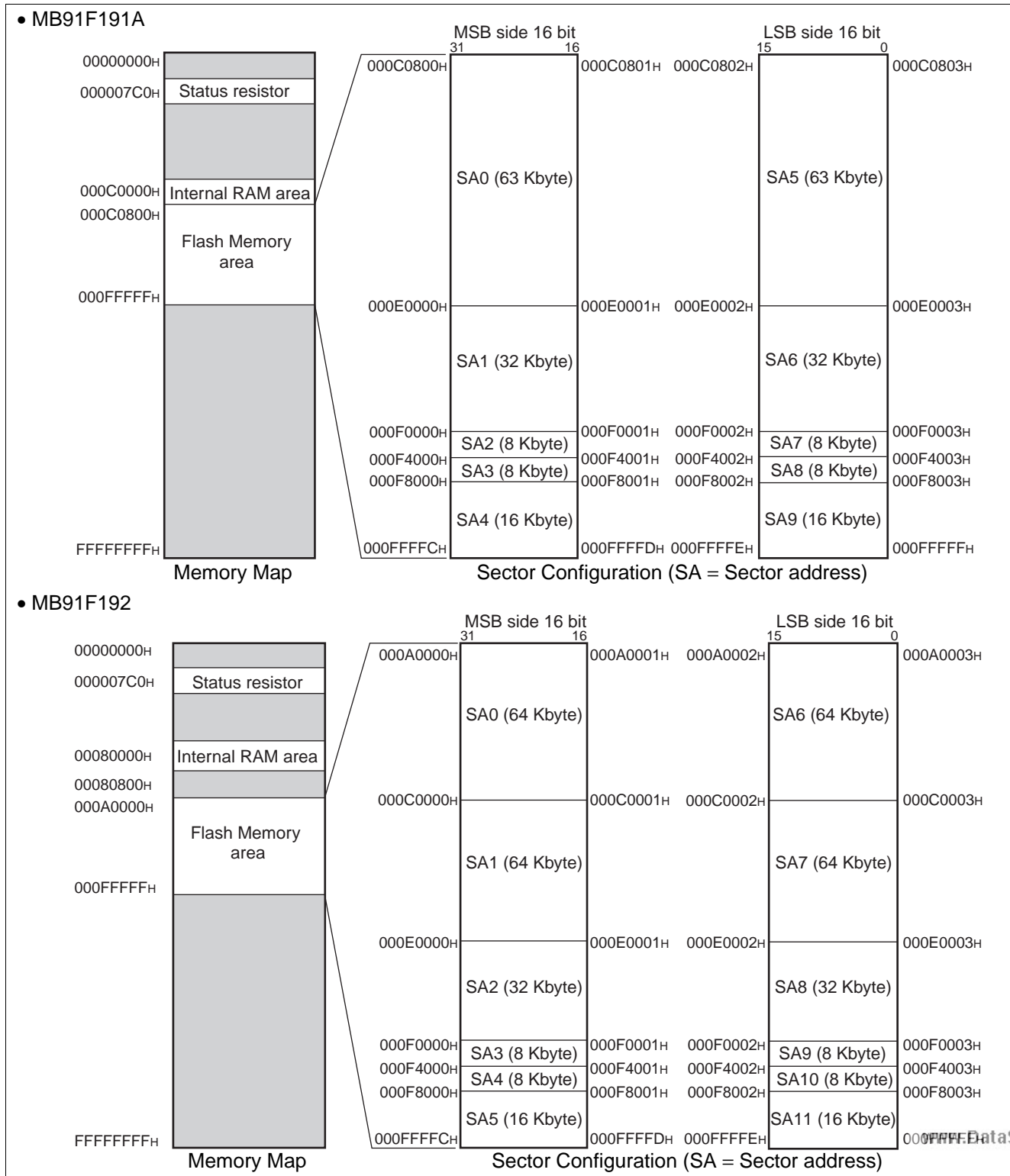
Note : The single chip mode does not allow access to the external extended area.  
For access to the external extended area, use the mode register to select  
the internal ROM external bus mode.

# MB91191/192 Series

## FLASH MEMORY MAP AND SECTOR CONFIGURATION

Flash memory is address-mapped differently between when accessed from the FR-CPU and when accessed from the ROM programmer.\* Shown below is address mapping at access from the CPU.

\* : While the on-board flash memory uses the little endian format, the FR-CPU interface circuit converts data into big endian. As this conversion function does not work during access from the ROM programmer, address mapping is different from that in CPU mode.



# MB91191/192 Series

## ■ ELECTRICAL CHARACTERISTICS

### 1. Absolute Maximum Ratings

( $V_{SS} = AV_{SS} = 0\text{ V}$ )

Parameter	Symbol	Rating		Unit	Remarks
		Min	Max		
Power supply voltage	$V_{DD}$	$V_{SS} - 0.3$	$V_{SS} + 3.5$	V	
Analog power supply voltage	$AV_{DD}$	$V_{SS} - 0.3$	$V_{SS} + 3.5$	V	*1
Analog reference voltage	$AV_{RH}$	$V_{SS} - 0.3$	$V_{SS} + 3.5$	V	*1
Input voltage	$V_I$	$V_{SS} - 0.3$	$V_{SS} + 3.5$	V	*2
Output voltage	$V_O$	$V_{SS} - 0.3$	$V_{SS} + 3.5$	V	*2
"L" level maximum output current	$I_{OL}$	—	10	mA	*3
"L" level average output current	$I_{OLAV}$	—	8	mA	*4
"L" level total maximum output current	$\Sigma I_{OL}$	—	100	mA	
"L" level total average output current	$\Sigma I_{OLAV}$	—	50	mA	*5
"H" level maximum output current	$I_{OH}$	—	-10	mA	*3
"H" level average output current	$I_{OHAV}$	—	-4	mA	*4
"H" level total maximum output current	$\Sigma I_{OH}$	—	-50	mA	
"H" level total average output current	$\Sigma I_{OHAV}$	—	-20	mA	*5
Power consumption	$P_D$	—	500	mW	
Operating temperature	$T_A$	-20	+70	°C	
Storage temperature	$T_{stg}$	-55	+150	°C	

\*1 : Care must be taken that  $AV_{DD}$  and  $AV_{RH}$  do not exceed  $V_{DD} + 0.3\text{ V}$  such as when turning on the device.  
Also care must be taken that  $AV_{RH}$  does not exceed  $AV_{DD}$ .

\*2 :  $V_I$  and  $V_O$  may not exceed  $V_{DD} + 0.3\text{ V}$ .

\*3 : The maximum output current is the peak value for a single pin.

\*4 : The average output current is the average current for a single pin over a period of 100 ms.

\*5 : The total average output current is the average current for all pins over a period of 100 ms.

**WARNING:** Semiconductor devices can be permanently damaged by application of stress (voltage, current, temperature, etc.) in excess of absolute maximum ratings. Do not exceed these ratings.



# MB91191/192 Series

## 2. Recommended Operating Conditions

( $V_{SS} = AV_{SS} = 0\text{ V}$ )

Parameter	Symbol	Value		Unit	Remarks
		Min	Max		
Power supply voltage	$V_{DD}$	2.7	3.3	V	Normal operation
		2.0	3.3		Maintaining RAM state in stop mode
Analog power supply voltage	$AV_{DD}$	$V_{SS} - 0.3$	$V_{DD} + 0.2$	V	
Analog reference voltage	$AV_{RH}$	$AV_{SS}$	$AV_{DD}$	V	
Operating temperature	$T_A$	-20	70	°C	

**WARNING:** The recommended operating conditions are required in order to ensure the normal operation of the semiconductor device. All of the device's electrical characteristics are warranted when the device is operated within these ranges.

Always use semiconductor devices within their recommended operating condition ranges. Operation outside these ranges may adversely affect reliability and could result in device failure.

No warranty is made with respect to uses, operating conditions, or combinations not represented on the data sheet. Users considering application outside the listed conditions are advised to contact their FUJITSU representatives beforehand.

# MB91191/192 Series

## 3. DC Characteristics

( $V_{DD} = 3.0\text{ V} \pm 0.3\text{ V}$ ,  $V_{SS} = AV_{SS} = 0\text{ V}$ ,  $T_A = -20\text{ }^\circ\text{C}$  to  $+70\text{ }^\circ\text{C}$ )

Parameter	Symbol	Pin Name	Condition	Value			Unit	Remarks
				Min	Typ	Max		
“H” level input voltage	$V_{IH}$	*3	—	$0.7 V_{DD}$	—	$V_{DD} + 0.3$	V	
	$V_{IHS}$	*1	—	$V_{DD} - 0.4$	—	$V_{DD} + 0.3$	V	
		*2		$0.8 V_{DD}$	—	$V_{DD} + 0.3$	V	
	$V_{IHM}$	MD2 to MD0	—	$V_{DD}$	—	$V_{DD} + 0.3$	V	
“L” level input voltage	$V_{IL}$	*3	—	$V_{SS} - 0.3$	—	$0.2 V_{DD}$	V	
	$V_{ILS}$	*1	—	$V_{SS} - 0.3$	—	$V_{SS} + 0.4$	V	
		*2		$V_{SS} - 0.3$	—	$0.2 V_{DD}$	V	
	$V_{ILM}$	MD2 to MD0	—	$V_{SS} - 0.3$	—	$V_{SS}$	V	
“H” level output voltage	$V_{OH1}$	*4	$V_{DD} = 3.0\text{ V}$ , $I_{OH} = -4.0\text{ mA}$	2.4	—	—	V	MB91F191A
				2.4	—	—	V	MB91191R
	$V_{OH2}$	*5, *6	$V_{DD} = 3.0\text{ V}$ , $I_{OH} = -8.0\text{ mA}$	2.4	—	—	V	MB91F191A
				2.4	—	—	V	MB91191R
“L” level output voltage	$V_{OL1}$	*4	$V_{DD} = 3.0\text{ V}$ , $I_{OL} = 4.0\text{ mA}$	—	—	0.6	V	
	$V_{OL2}$	*5, *6	$V_{DD} = 3.0\text{ V}$ , $I_{OL} = 8.0\text{ mA}$	—	—	0.6	V	
	$V_{OL3}$	*4, *5, *6	$V_{DD} = 3.0\text{ V}$ , $I_{OL} = 1.0\text{ mA}$	—	—	0.3	V	MB91191R
Input leak current	$I_{LI1}$	*2	$V_{DD} = 3.0\text{ V}$ ,	—	$\pm 1$	$\pm 5$	$\mu\text{A}$	
	$I_{LIX}$	X0, OSCI	$V_{SS} < V_i < V_{DD}$	—	$\pm 8$	$\pm 20$	$\mu\text{A}$	
Power supply current	$I_{DD}$	V <sub>DD</sub>	$V_{DD} = 3.0\text{ V}$ , *7	—	50.1	60	mA	MB91F191A
				—	16	25	mA	MB91191R
	$I_{DDS}$	V <sub>DD</sub>	$V_{DD} = 3.0\text{ V}$ , *8	—	24	36	mA	MB91F191A
				—	13	18	mA	MB91191R
	$I_{DDH}$	V <sub>DD</sub>	$V_{DD} = 3.0\text{ V}$ , $T_A = 25\text{ }^\circ\text{C}$ , *9	—	1	240	$\mu\text{A}$	MB91F191A
—	—	—	—	10	300	$\mu\text{A}$	MB91191R	
Input capacitance	$C_{IN}$	Other than $V_{DD}$ , $V_{SS}$ , $AV_{DD}$ , $AV_{SS}$ , and $AV_{RH}$	—	—	10	—	pF	

\*1 : X0, X1, OSCI, OSCO

\*2 :  $\overline{RST}$ , PC3 to PC1, PD6, PD5, PD3, PD2, PA7 to PA0, P12 to P10, P07 to P00, PD7, PD0

\*3 : Inputs other than \*1, \*2, MD2 to MD0

\*4 : P07 to P00, P17 to P10, P27 to P20, P47 to P40, P67 to P60, P70, P87 to P80, P94 to P90, PA7 to PA0, PB7 to PB0, PC7 to PC2, PD7, PD6, PD3, PD0

\*5 : P37 to P30, P57 to P50

\*6 : PD5, PD4, PD2, PD1, PC1, PC0

\*7 : Operating current for X0 = 20 MHz, OSCI =  $V_{SS}$  (fixed), all port outputs = low, gear selection : CPU = 10 MHz, peripherals = 20 MHz

\*8 : Operating current in sleep mode for X0 = 20 MHz, OSCI =  $V_{SS}$  (fixed), all port outputs = low, gear selection : CPU = 10 MHz, peripherals = 20 MHz

\*9 : Operating current in stop mode for X0 = 20 MHz, OSCI =  $V_{SS}$  (fixed), all port outputs = low, gear selection : CPU = 10 MHz, peripherals = 20 MHz

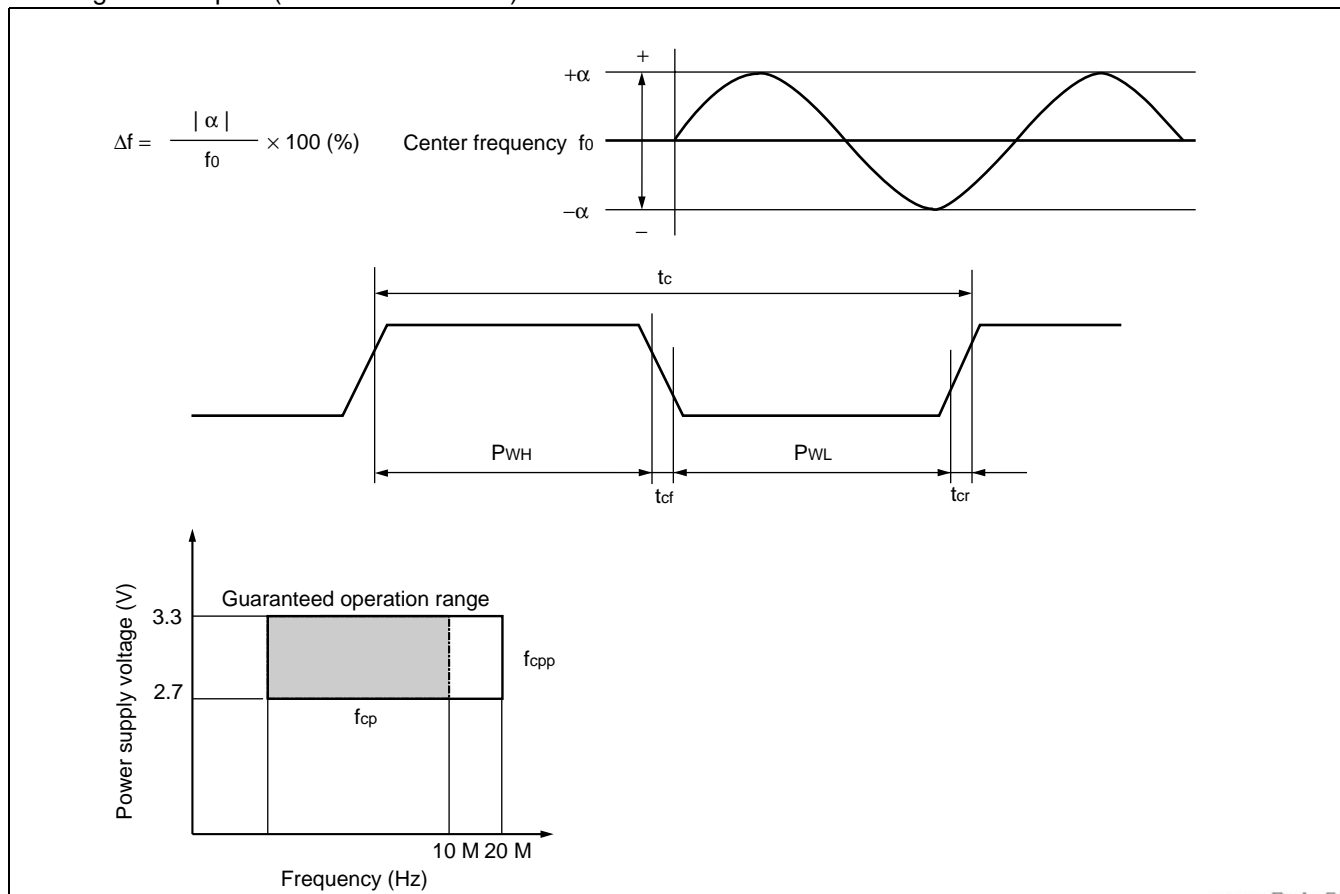
## 4. AC Characteristics

### (1) Clock Timings

( $V_{DD} = 3.0 \text{ V} \pm 0.3 \text{ V}$ ,  $V_{SS} = AV_{SS} = 0 \text{ V}$ ,  $T_A = -20 \text{ }^\circ\text{C}$  to  $+70 \text{ }^\circ\text{C}$ )

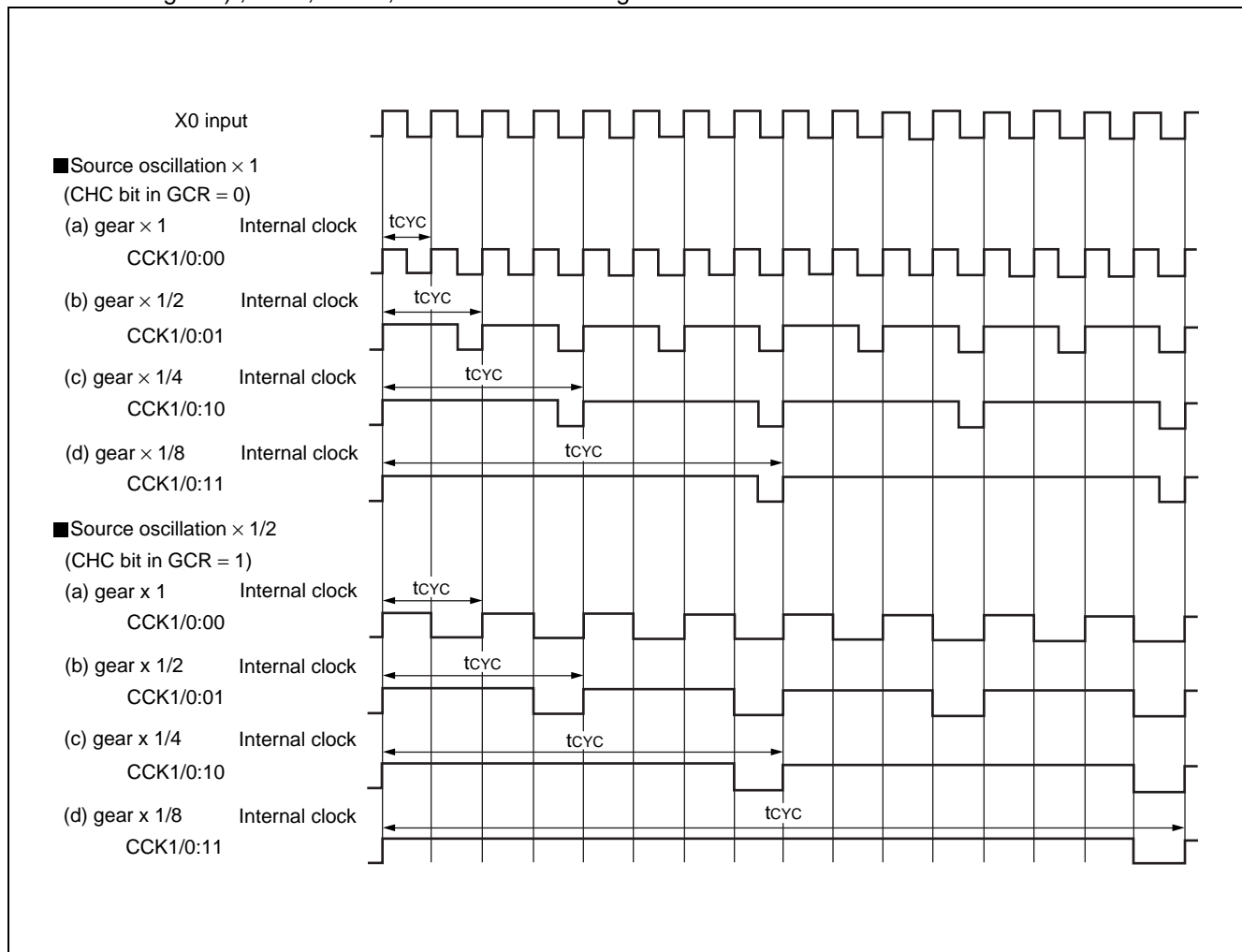
Parameter	Symbol	Condition	Value		Unit	Remarks
			Min	Max		
Clock frequency	$f_c$	—	10	20	MHz	
Clock cycle time	$t_c$	—	50	100	ns	
Frequency fluctuation* (PLL locked)	$\Delta r$	—	—	10	%	
Input clock pulse width	$P_{WH}$	—	20	—	ns	
	$P_{WL}$					
Input clock rise/fall time	$t_{CR}$	—	—	8	ns	
	$t_{CF}$					
Internal operating clock frequency	CPU	$f_{CP}$	When wait controller set to 1 wait cycle	5	20	MHz
	Peripherals	$f_{CPP}$		10	20	MHz
Internal operating clock cycle time	CPU	$t_{CP}$		50	200	ns
	Peripherals	$t_{CPP}$		50	100	ns

\* : The frequency fluctuation value is the maximum percentage deviation from the preset center frequency when using the multiplier (when PLL is locked) .



# MB91191/192 Series

The figure below shows the relationship between the X0 input and the internal clock based on the GCR (Gear Control Register), CHC, CCK1, and CCK0 bit settings.



Where  $t_{CYCH}$  is the H level width of the internal clock and  $t_{CYCL}$  is the L level width.

For example, when set to source oscillation × 1/2, gear × 1/4 and X0 input frequency = 20 MHz :  $t_{CYC} = 400$  ns,  $t_{CYCH} = 350$  ns,  $t_{CYCL} = 50$  ns

# MB91191/192 Series

## (2) Multiplex Bus Read/Write Operation

( $V_{DD} = +3.0\text{ V} \pm 0.3\text{ V}$ ,  $V_{SS} = AV_{SS} = 0\text{ V}$ ,  $T_A = -20\text{ }^\circ\text{C}$  to  $+70\text{ }^\circ\text{C}$ )

Parameter	Symbol	Pin Name	Condition	Value			Unit	Remarks
				Min	Typ	Max		
ALE pulse width	$t_{EHEL}$	ALE	—	$t_{CYC} - 10$	—	—	ns	
Address delay time	$t_{EHAV}$	A15 to A0, D31 to D16	—	$t_{CYCH} - 15$	$t_{CYCH}$	$t_{CYCH} + 15$	ns	*2
Address clear time	$t_{EHAX}$	D31 to D16	—	$t_{CYCL} - 2$	$t_{CYCL}$	$t_{CYCL} + 10$	ns	*2
Data delay time	$t_{ELDV}$	D31 to D16	—	—	—	$t_{CYCL} + 26$	ns	*2
$\overline{RD}$ delay time	$t_{ELRL}$	$\overline{RD}$	—	$t_{CYC} - 11$	$t_{CYC}$	$t_{CYC} + 11$	ns	
$\overline{RD}$ pulse width	$t_{RLRH}$		—	$t_{CYC} - 11$	$t_{CYC}$	$t_{CYC} + 11$	ns	*1
$\overline{WR0}$ , $\overline{WR1}$ delay time	$t_{ELWL}$	$\overline{WR0}$ , $\overline{WR1}$	—	$t_{CYC} - 11$	$t_{CYC}$	$t_{CYC} + 11$	ns	
$\overline{WR0}$ , $\overline{WR1}$ pulse width	$t_{WLWH}$		—	$t_{CYC} - 11$	$t_{CYC}$	$t_{CYC} + 11$	ns	*1
Data setup $\rightarrow \overline{RD} \uparrow$ time	$t_{DSRH}$	$\overline{RD}$ , D31 to D16	—	15	—	—	ns	
$\overline{RD} \uparrow \rightarrow$ Data hold time	$t_{RHDX}$	D31 to D16	—	0	—	—	ns	

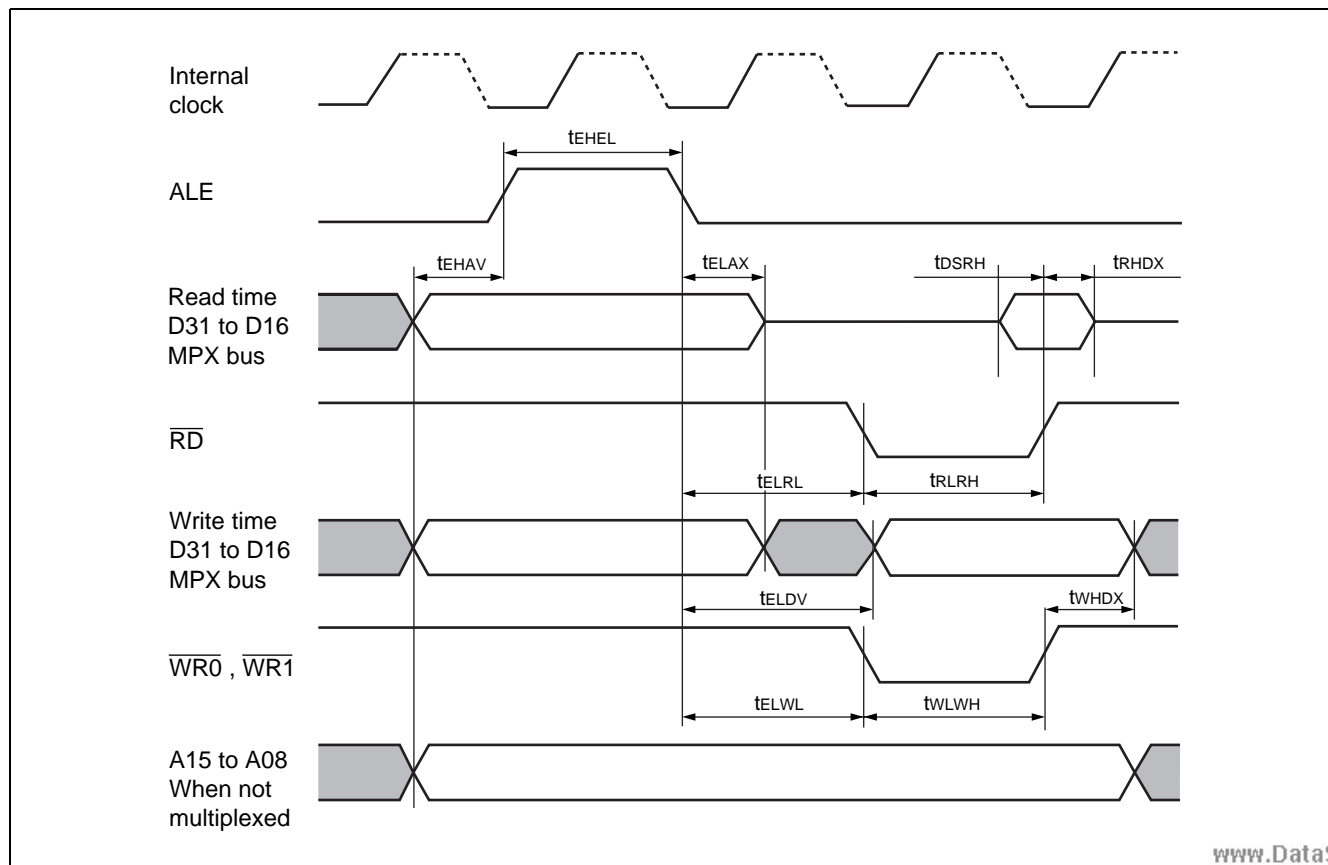
\*1 : When the bus is delayed by automatic wait insertion, add ( $t_{CYC} \times$  number of wait cycles) to this value.

\*2 : This value is for gear setting =  $\times 1$

For the value for gear settings 1/2, 1/4, and 1/8, substitute 1/2, 1/4, and 1/8 respectively for n in the formula below.

Formula :  $t_{CYCH} = (1 - n / 2) \times t_{CYC}$

$t_{CYCL} = (n / 2) \times t_{CYC}$



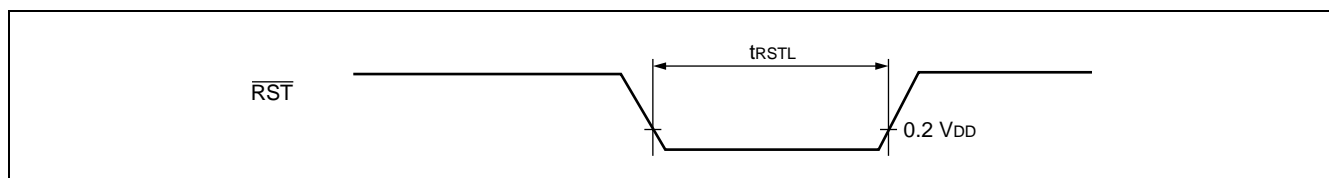
www.DataSheet4U.com

# MB91191/192 Series

## (3) Reset Input Ratings

( $V_{DD} = 3.0\text{ V} \pm 0.3\text{ V}$ ,  $V_{SS} = AV_{SS} = 0\text{ V}$ ,  $T_A = -20\text{ }^\circ\text{C}$  to  $+70\text{ }^\circ\text{C}$ )

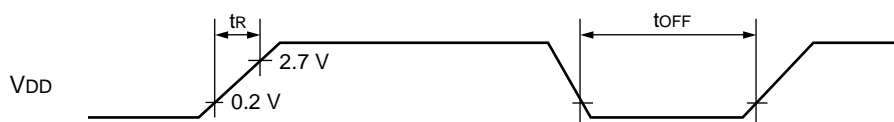
Parameter	Symbol	Pin Name	Value		Unit	Remarks
			Min	Max		
Reset input time	$t_{RSTL}$	$\overline{\text{RST}}$	$5 t_{CP}$	—	ns	



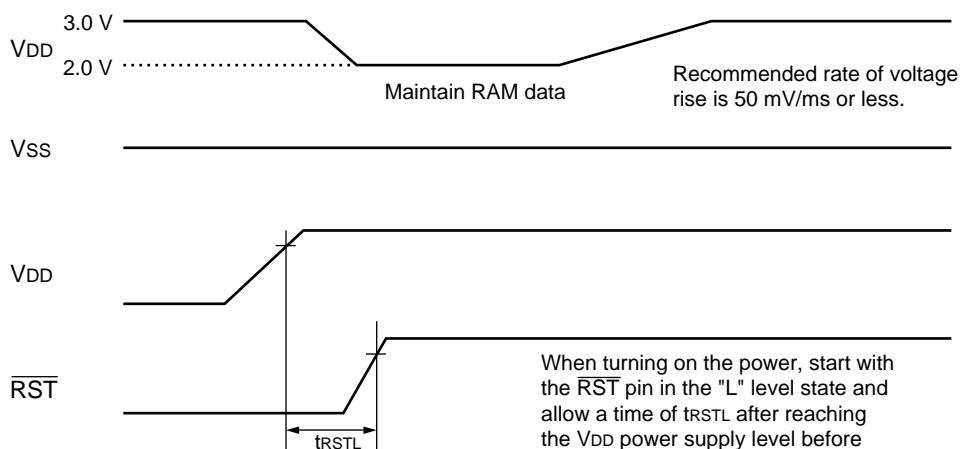
## (4) Power-On Reset

( $V_{DD} = 3.0\text{ V} \pm 0.3\text{ V}$ ,  $V_{SS} = AV_{SS} = 0\text{ V}$ ,  $T_A = -20\text{ }^\circ\text{C}$  to  $+70\text{ }^\circ\text{C}$ )

Parameter	Symbol	Pin Name	Value		Unit	Remarks
			Min	Max		
Power supply rise time	$t_R$	$V_{DD}$	—	20	ms	
Power supply cutoff time	$t_{OFF}$		2	—	ms	



Sudden changes in the power supply voltage may cause a power-on reset. The recommended practice if you wish to change the power supply voltage while the device is operating is to raise the voltage smoothly.



When turning on the power, start with the RST pin in the "L" level state and allow a time of  $t_{RSTL}$  after reaching the  $V_{DD}$  power supply level before changing the pin to the "H" level.

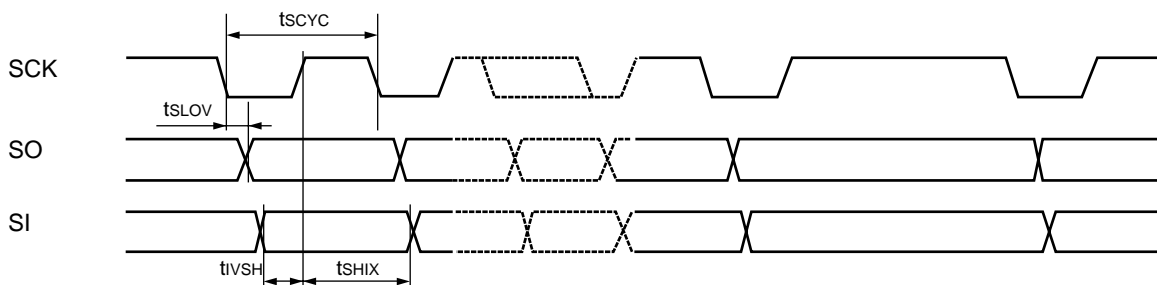
# MB91191/192 Series

## (5) Serial I/O (CH0 to 2)

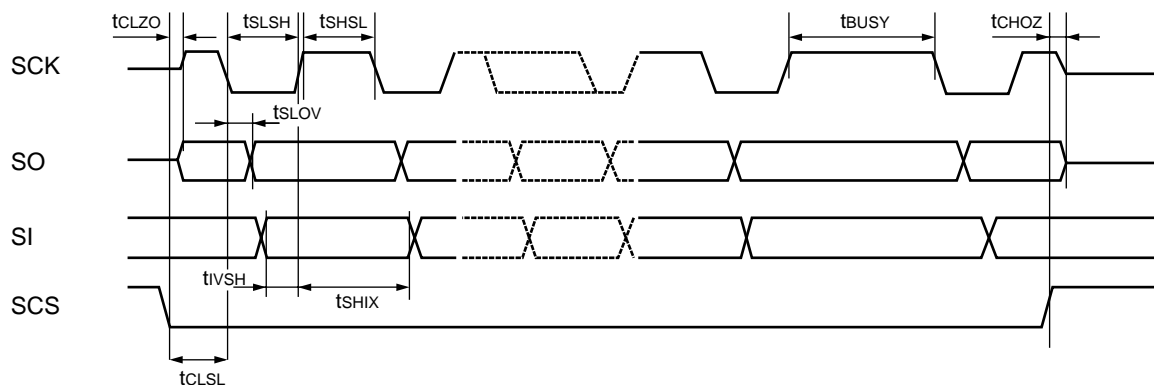
( $V_{DD} = +3.0\text{ V} \pm 0.3\text{ V}$ ,  $V_{SS} = AV_{SS} = 0\text{ V}$ ,  $T_A = -20\text{ }^\circ\text{C}$  to  $+70\text{ }^\circ\text{C}$ )

Parameter	Symbol	Condition	Value		Unit	Remarks
			Min	Max		
Serial clock cycle time	tSCYC	Internal clock	8 t <sub>CPP</sub>	—	ns	
SCK ↓ → SO delay time	tSLOV		-10	50	ns	
Valid SI → SCK ↑	tIVSH		50	—	ns	
SCK ↑ → valid SI hold time	tSHIX		50	—	ns	
Serial clock "H" pulse width	tSHSL	External clock	4 t <sub>CPP</sub> - 10	—	ns	
Serial clock "L" pulse width	tLSLH		4 t <sub>CPP</sub> - 10	—	ns	
SCK ↓ → SO delay time	tSLOV		0	50	ns	
Valid SI → SCK ↑	tIVSH		50	—	ns	
SCK ↑ → valid SI hold time	tSHIX		50	—	ns	
Serial busy time	tBUSY		—	6 t <sub>CPP</sub>	ns	
SCS ↓ → SCK, SO delay time	tCLZO		—	50	ns	
SCS ↓ → SCK input mask time	tCLSL		—	3 t <sub>CPP</sub>	ns	
SCS ↓ → SCK, SO Hi-Z time	tCHOZ		—	50	ns	

### • Internal shift clock mode



### • External shift clock mode



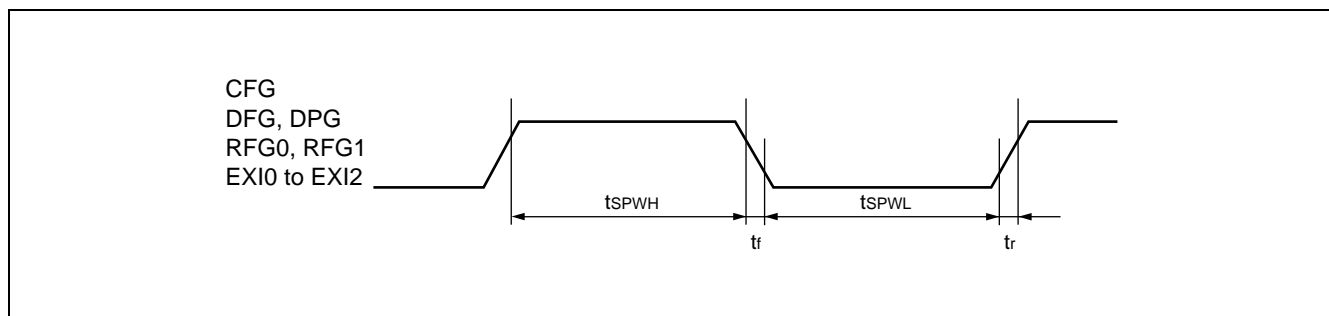
# MB91191/192 Series

## (6) FG Pulse Input

( $V_{DD} = 3.0\text{ V} \pm 0.3\text{ V}$ ,  $V_{SS} = AV_{SS} = 0\text{ V}$ ,  $T_A = -20\text{ }^\circ\text{C}$  to  $+70\text{ }^\circ\text{C}$ )

Parameter	Symbol	Pin Name	Value		Unit	Remarks
			Min	Max		
Servo input "H" pulse width	$t_{SPWH}$	CFG, DFG, DPG, RFG0, RFG1, EXI0 to EXI2	$t_c + 50$	—	ns	
Servo input "L" pulse width	$t_{SPWL}$		$t_c + 50$	—	ns	

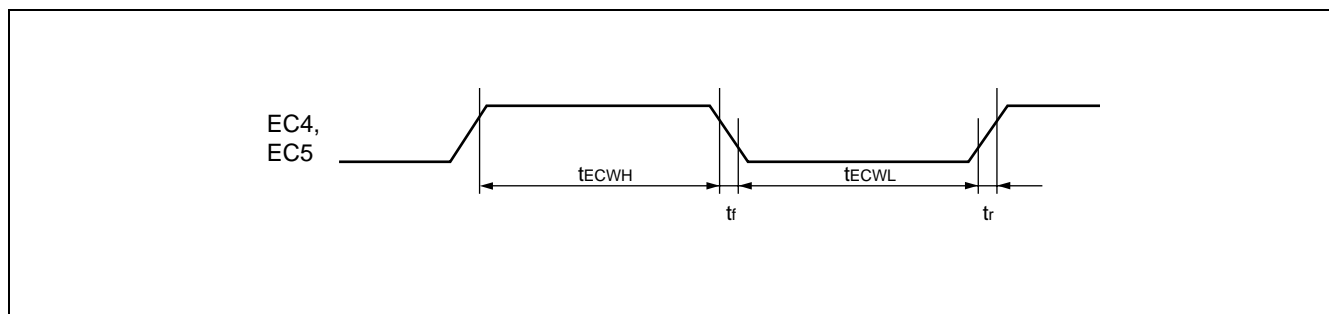
Note :  $t_c$  is the clock cycle time of the X0 and X1 pin oscillation.



## (7) Timer External Clock Input

( $V_{DD} = +3.0\text{ V} \pm 0.3\text{ V}$ ,  $V_{SS} = AV_{SS} = 0\text{ V}$ ,  $T_A = -20\text{ }^\circ\text{C}$  to  $+70\text{ }^\circ\text{C}$ )

Parameter	Symbol	Pin Name	Value		Unit	Remarks
			Min	Max		
Timer 4 input "H" pulse width	$t_{ECWH}$	EC4	$4 t_c + 50$	—	ns	
Timer 4 input "L" pulse width	$t_{ECWL}$		$4 t_c + 50$	—	ns	
Timer 5 input "H" pulse width	$t_{ECWH}$	EC5	$4 t_{CPP}$	—	ns	
Timer 5 input "L" pulse width	$t_{ECWL}$		$4 t_{CPP}$	—	ns	



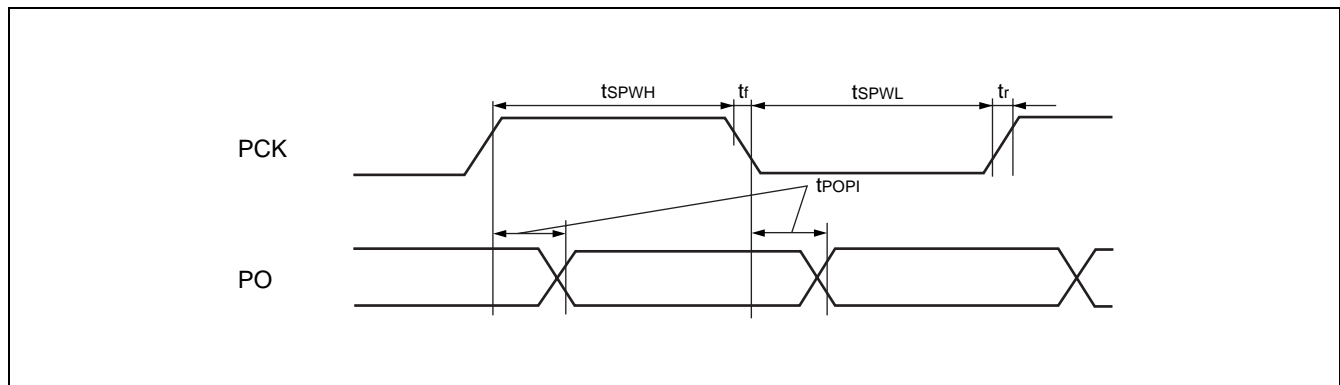


# MB91191/192 Series

## (8) General-Purpose Prescaler

( $V_{DD} = 3.0\text{ V} \pm 0.3\text{ V}$ ,  $V_{SS} = AV_{SS} = 0\text{ V}$ ,  $T_A = -20\text{ }^\circ\text{C}$  to  $+70\text{ }^\circ\text{C}$ )

Parameter	Symbol	Pin Name	Value		Unit	Remarks
			Min	Max		
PCK input clock frequency	$f_{CP}$	PCK	—	12	MHz	
PCK input "H" pulse width	$t_{SPWH}$		33	—	ns	
PCK input "L" pulse width	$t_{SPWL}$		33	—	ns	
PCK input	Fall time	$t_f$	—	100	ns	
	Rise time	$t_r$				
PO output delay time	$t_{POPI}$	PO	—	80	ns	



# MB91191/192 Series

## 5. Electrical Characteristics for the A/D Converter

( $V_{DD} = 3.0\text{ V} + 0.3\text{ V}$ ,  $V_{SS} = AV_{SS} = 0\text{ V}$ ,  $T_A = -20\text{ }^\circ\text{C}$  to  $+70\text{ }^\circ\text{C}$ )

Parameter	Symbol	Pin Name	Condition	Value			Unit	Remarks	
				Min	Typ	Max			
Resolution	—	—	—	—	—	10	bit		
Conversion time	—	—	—	8.4	—	—	$\mu\text{s}$		
Total error	—	—	$V_{DD} = AV_{DD} = 3.0\text{ V}$ , $AV_{RH} = 3.0\text{ V}$	—	—	$\pm 4.0$	LSB		
Linearity error	—	—		—	—	$\pm 3.5$	LSB		
Differential linearity error	—	—		—	—	$\pm 2.0$	LSB		
Zero transition error	$V_{OT}$	AN-0 to AN-F	$V_{DD} = AV_{DD} = 3.0\text{ V}$ , $AV_{RH} = 3.0\text{ V}$	$AV_{SS} - 1.5$	$AV_{SS} + 0.5$	$AV_{SS} + 2.5$	LSB		
Full-scale transition error	$V_{FST}$	AN-0 to AN-F		$AV_{RH} - 5.5$	$AV_{RH} - 1.5$	$AV_{RH} + 0.5$	LSB		
Analog input current	$I_{AIN}$	AN-0 to AN-F	—	—	0.1	10	$\mu\text{A}$		
Analog input voltage	$V_{AIN}$	AN-0 to AN-F	—	$AV_{SS}$	—	$AV_{RH}$	V		
Reference voltage	$AV_{RH}$	$AV_{RH}$	—	—	—	$AV_{DD}$	V		
Power supply current	During conversion	$I_A$	$AV_{DD}$	$V_{DD} = AV_{DD} = 3.0\text{ V}$	—	3.0	—	mA	
	Conversion halted	$I_{AH}$			—	—	5.0	$\mu\text{A}$	
Reference voltage supply current	During conversion	$I_R$	$AV_{RH}$	$V_{DD} = AV_{DD} = 3.0\text{ V}$ , $AV_{RH} = 3.0\text{ V}$	—	100	—	$\mu\text{A}$	
	Conversion halted	$I_{RH}$			—	—	10	$\mu\text{A}$	
Variation between channels	—	AN-0 to AN-F	—	—	—	4	LSB		

Notes : • The relative error increases as  $|AV_{RH}|$  becomes smaller.

- Ensure that the output impedance of the external circuit connected to the analog input meets the following condition :

Output impedance of external circuit  $< 7\text{ k}\Omega$  (approx.)

If the output impedance of the external circuit is too high, the analog voltage sampling time may be too short. (Sampling time =  $6.4\text{ }\mu\text{s}$  for a 20 MHz machine clock)

# MB91191/192 Series

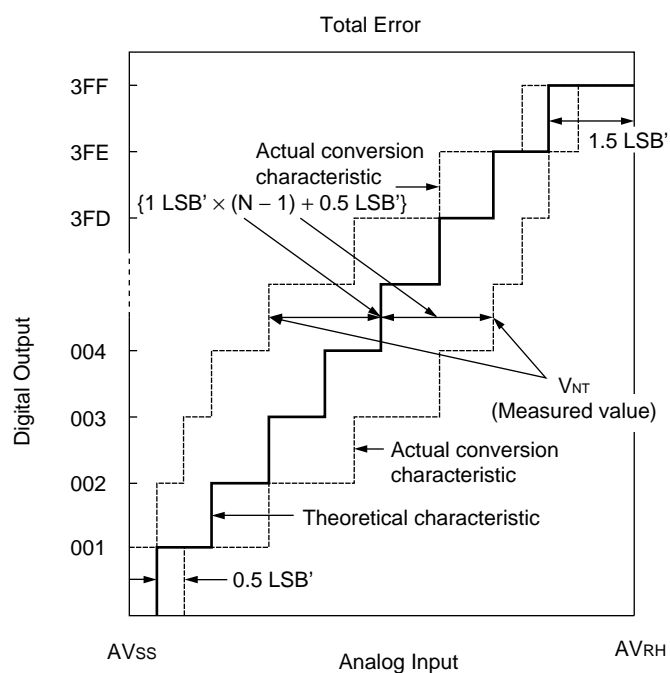
## 6. Flash Memory Erase and Programming performance

Parameter	Condition	Value			Unit	Remarks	
		Min	Typ	Max			
Sector erase time	T <sub>A</sub> = +25 °C, V <sub>CC</sub> = 3.0 V	—	1	15	s	Excludes 00H programming prior erasure	
Chip erase time		—	10	—	s	MB91F191A	Excludes 00H programming prior erasure
		—	12	—		MB91F192	
Half word (16 bit width) programming time		—	—	16	3,600	μs	Excludes system-level overhead
Erase/Program cycle	—	10,000	—	—	cycle		
Data holding time	—	100,000	—	—	h		

# MB91191/192 Series

## 7. A/D Converter Glossary

- Resolution : The change in analog voltage that can be recognized by the A/D converter.
- Linearity error  
The deviation between the actual conversion characteristics and the line linking the zero transition point (“00 0000 0000<sub>B</sub>” ↔ “00 0000 0001<sub>B</sub>”) and the full scale transition point (“11 1111 1110<sub>B</sub>” ↔ “11 1111 1111<sub>B</sub>”).
- Differential linearity error  
The variation from the ideal input voltage required to change the output code by 1 LSB.
- Total error  
The total error is the difference between the actual value and the theoretical value.  
Includes the zero transition error, full-scale transition error and linearity error.



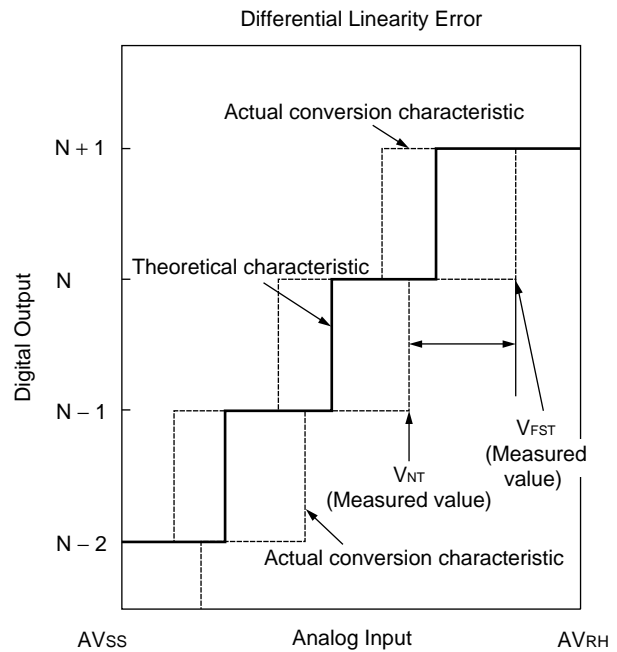
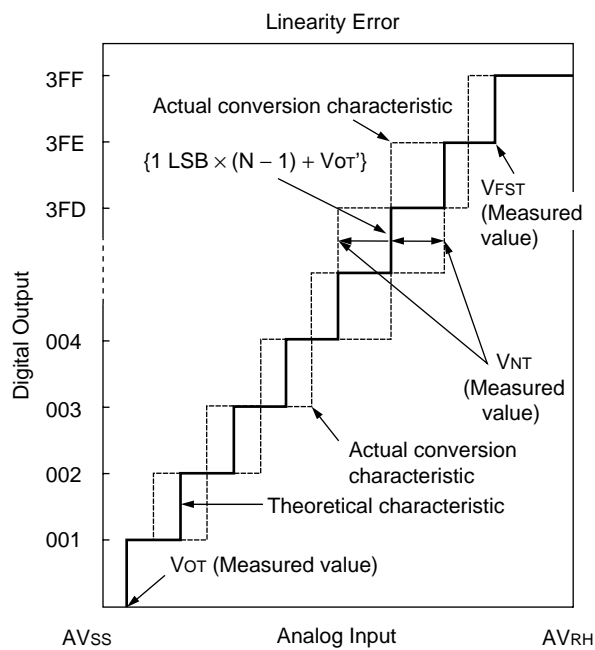
$$1 \text{ LSB}' (\text{Theoretical}) = \frac{AV_{RH} - AV_{SS}}{1024} [V]$$

$$\text{Total error for digital output } N = \frac{V_{NT} - \{1 \text{ LSB}' \times (N - 1) + 0.5 \text{ LSB}'\}}{1 \text{ LSB}'}$$

$$V_{OT}' (\text{Theoretical}) = AV_{SS} + 0.5 \text{ LSB}' [V]$$

$$V_{FST}' (\text{Theoretical}) = AV_{RH} - 1.5 \text{ LSB}' [V]$$

V<sub>NT</sub> : Voltage at which digital output changes from (N + 1) to N



$$\text{Linearity error for digital output } N = \frac{V_{NT} - \{1 \text{ LSB} \times (N - 1) + V_{OT}\}}{1 \text{ LSB}} \quad [\text{LSB}]$$

$$\text{Differential linearity error for digital output } N = \frac{V_{(N+1)T} - V_{NT}}{1 \text{ LSB}} - 1 \text{ LSB} \quad [\text{LSB}]$$

$$V_{OT}' \text{ (Theoretical)} = \frac{V_{FST} - V_{OT}}{1022} \quad [\text{V}]$$

$V_{OT}$  : Voltage at which digital output changes from (000)<sub>H</sub> to (001)<sub>H</sub>.

$V_{FST}$  : Voltage at which digital output changes from (3FE)<sub>H</sub> to (3FF)<sub>H</sub>.

# MB91191/192 Series

## ■ ORDERING INFORMATION

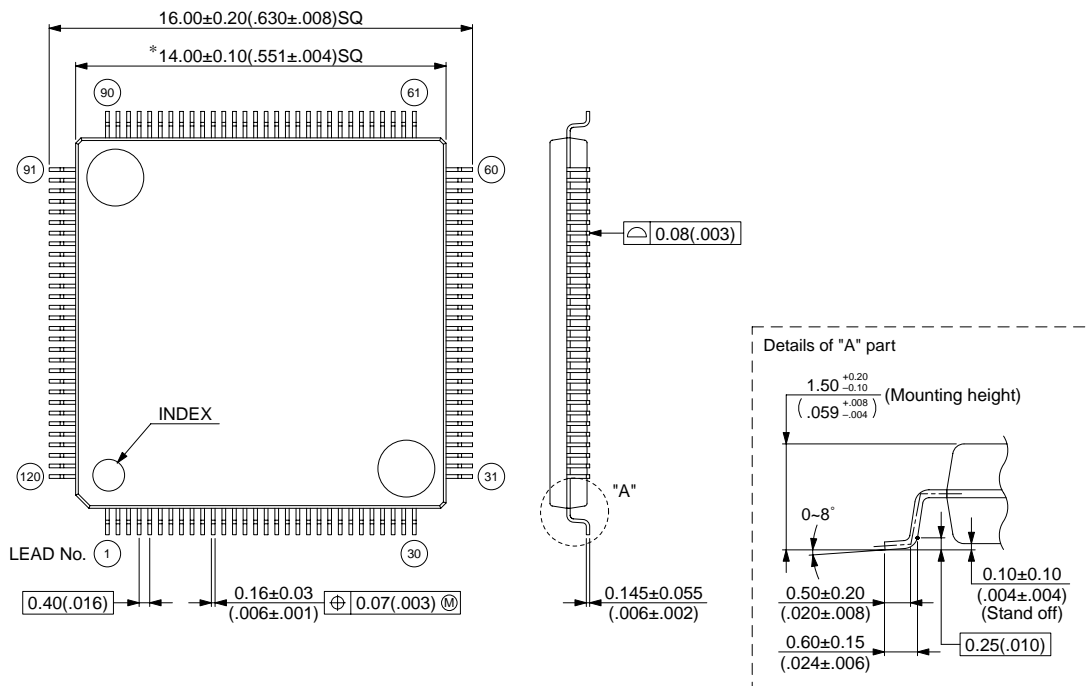
Part No.	Package	Remarks
MB91191RPFF MB91192PFF MB91F191APFF MB91F192PFF	Plastic LQFP, 120-pin (FPT-120P-M05)	
MB91192LGA MB91F192LGA	Plastic FLGA, 144-pin (LGA-144P-M02)	

# MB91191/192 Series

## PACKAGE DIMENSION

Plastic LQFP, 120-pin  
(FPT-120P-M05)

Note 1) \* : These dimensions do not include resin protrusion.  
 Note 2) Pins width and pins thickness include plating thickness.  
 Note 3) Pins width do not include tie bar cutting remainder.



© 2003 FUJITSU LIMITED F120006S-c-4-5

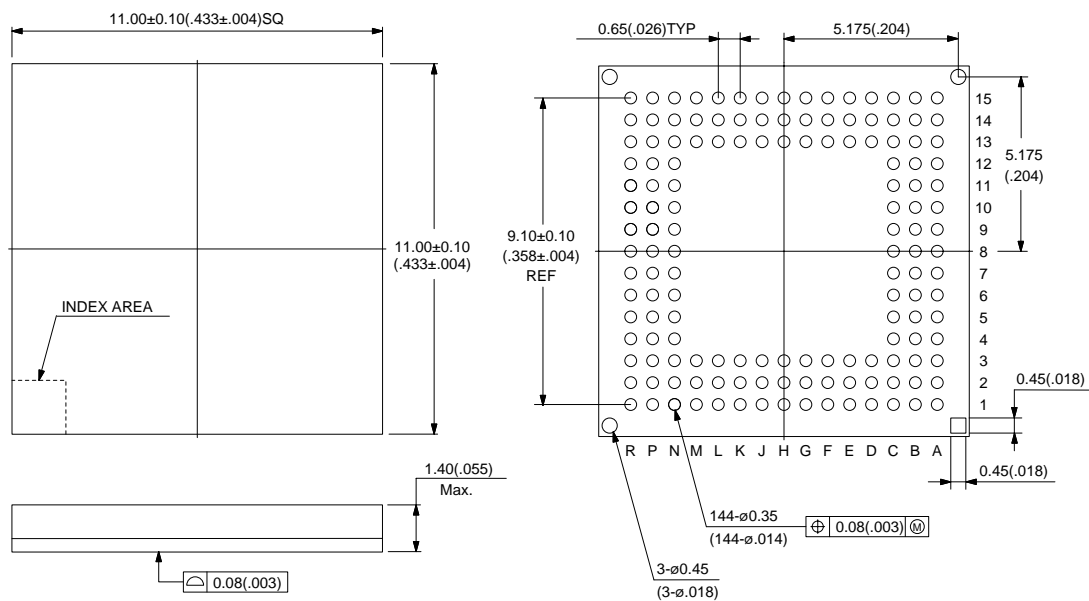
Dimensions in mm (inches).

(Continued)

# MB91191/192 Series

(Continued)

Plastic FLGA, 144-pin  
(LGA-144P-M02)



© 2001 FUJITSU LIMITED L144002S-c-1-1

Dimensions in mm (inches).



# MB91191/192 Series

## FUJITSU LIMITED

All Rights Reserved.

The contents of this document are subject to change without notice. Customers are advised to consult with FUJITSU sales representatives before ordering.

The information, such as descriptions of function and application circuit examples, in this document are presented solely for the purpose of reference to show examples of operations and uses of Fujitsu semiconductor device; Fujitsu does not warrant proper operation of the device with respect to use based on such information. When you develop equipment incorporating the device based on such information, you must assume any responsibility arising out of such use of the information. Fujitsu assumes no liability for any damages whatsoever arising out of the use of the information.

Any information in this document, including descriptions of function and schematic diagrams, shall not be construed as license of the use or exercise of any intellectual property right, such as patent right or copyright, or any other right of Fujitsu or any third party or does Fujitsu warrant non-infringement of any third-party's intellectual property right or other right by using such information. Fujitsu assumes no liability for any infringement of the intellectual property rights or other rights of third parties which would result from the use of information contained herein.

The products described in this document are designed, developed and manufactured as contemplated for general use, including without limitation, ordinary industrial use, general office use, personal use, and household use, but are not designed, developed and manufactured as contemplated (1) for use accompanying fatal risks or dangers that, unless extremely high safety is secured, could have a serious effect to the public, and could lead directly to death, personal injury, severe physical damage or other loss (i.e., nuclear reaction control in nuclear facility, aircraft flight control, air traffic control, mass transport control, medical life support system, missile launch control in weapon system), or (2) for use requiring extremely high reliability (i.e., submersible repeater and artificial satellite).

Please note that Fujitsu will not be liable against you and/or any third party for any claims or damages arising in connection with above-mentioned uses of the products.

Any semiconductor devices have an inherent chance of failure. You must protect against injury, damage or loss from such failures by incorporating safety design measures into your facility and equipment such as redundancy, fire protection, and prevention of over-current levels and other abnormal operating conditions.

If any products described in this document represent goods or technologies subject to certain restrictions on export under the Foreign Exchange and Foreign Trade Law of Japan, the prior authorization by Japanese government will be required for export of those products from Japan.

F0302

© FUJITSU LIMITED Printed in Japan