

32-Bit Microcontroller

CMOS

FR60 MB91307 Series

MB91306R/MB91307R

■ DESCRIPTION

The FUJITSU FR family of single-chip microcontrollers using a 32-bit high-performance RISC CPU, with a variety of built-in I/O resources and bus control mechanisms for built-in control applications requiring high-capability, high-speed CPU processing. External bus access is assumed in order to support the expanded address space accessible by the 32-bit CPU, and a 1K bytes cache memory plus large RAM are provided for high-speed execution of CPU instructions.

This microcontroller is ideal for built-in applications such as DVD players, navigation systems, high-capability FAX and printer control that demand high-capability CPU processing power.

The MB91307 series is a FR60 family product based on the FR30/40 family CPU with enhanced bus access for higher speed operation.

■ FEATURES

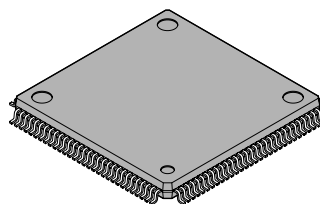
FR CPU

- 32-bit RISC, load/store architecture, 5-stage pipeline
- Operating frequency 66MHz [with PLL: base frequency 16.5 MHz]
- 16-bit fixed length instructions (basic instructions), 1 instruction per cycle
- Instructions for built-in applications: memory-to-memory transfer, bit processing, barrel shift etc.
- Instructions adapted for high-level languages: function input/output instructions, register contents multi-load/store instructions

(Continued)

■ PACKAGE

120-pin, plastic LQFP



(FPT-120P-M21)

MB91307 Series

- Easier assembler notation: register interlock function
- Built-in multiplier/instruction level support
 - Signed 32-bit multiplication: 5 cycles
 - Signed 16-bit multiplication: 3 cycles
- Interrupt (PC, PS removal): 6 cycles, 16 priority levels
- Harvard architecture for simultaneous execution of program access and data access
- CPU hold 4-word queue allows advanced instruction fetch function
- 4G bytes expanded memory space enables linear access
- Instruction compatible with FR30/40 family

Bus Interface

- Operating frequency: Max 33 MHz
- 8- or 16-bit data output
- Built-in pre-fetch buffer
- Unused data/address pins can be used as general-purpose input/output ports
- Fully independent 8-area chip select outputs, can be set in minimum 64K bytes units
- Interface support for many memory types
 - SRAM, ROM/Flash
 - Page mode flash ROM, page mode ROM interface
 - Burst mode flash ROM (select burst length 1, 2, 4, 8)
- Basic bus cycle: 2 cycles
- Programmable by area with automatic wait cycle generation to enable wait insert
- RDY input for external wait cycles
- DMA supports fly-by transfer with independent I/O wait control

Built-in RAM

- 128K bytes (MB91307R), 64K bytes (MB91306R)
- Accepts writing of data and instruction codes, enabling use as instruction RAM

Instruction cache

- 1K bytes capacity
- 2-way set associative
- 4-words (16 bytes) per set
- Lock function enables permanent program storage
- Areas not used for instruction cache can be used for RAM

DMAC (DMA controller)

- 5-channel (3-channel external-to-external)
- 3 transfer sources (external pin, internal peripheral, software)
- Addressing mode with 32-bit full address indication (increment, decrement, fixed)
- Transfer mode (demand transfer / burst transfer / step transfer / block transfer)
- Fly-by transfer support (3 channels between external I/O and external memory)
- Transfer data size selection 8/16/32-bit

Bit search module (using REALOS)

- Searches words from MSB for first bit position of a 1/0 change

Reload timer (includes 1 channel for REALOS)

- 16-bit timer: 3 channels
- Internal clock multiplier choice of x2, x8, x32

(Continued)

(Continued)

UART

- Full duplex double buffer
- 3-channel
- Parity/no parity selection
- Asynchronous (start-stop synchronized), CLK-synchronized communications selection
- Built-in exclusive baud rate timer
- External clock can be used as transfer clock
- Variety of error detection functions (parity, frame, overrun)

I²C* interface

- Master/slave sending and receiving
- Clock synchronization function
- Transfer direction detection function
- Bus error detection function
- Operates in standard mode (Max 100 Kbps) or high speed mode (Max 400 Kbps)
- Arbitration function
- Slave address/general call address detection function
- Start condition repeat generator and detection function
- 10-bit/7-bit slave address

Interrupt controller

- Total of 9 external interrupts: 1 non-maskable interrupt pin ($\overline{\text{NMI}}$) and 8 normal interrupt pins INT7-INT0
- Interrupt from internal peripheral devices
- Programmable priority settings (16 levels) enabled, except for non-maskable interrupt
- Can be used for wake-up from stop mode

A/D converter

- 10-bit resolution, 4-channel
- Sequential comparator type, conversion time approx. 5.4 μs
- Conversion modes: single conversion mode, continuous conversion mode
- Startup source: software / external trigger / timer output signal

Other interval timers

- 16-bit timer with 3 channels (U-timer)
- Watchdog timer

I/O port

- Maximum 69 ports

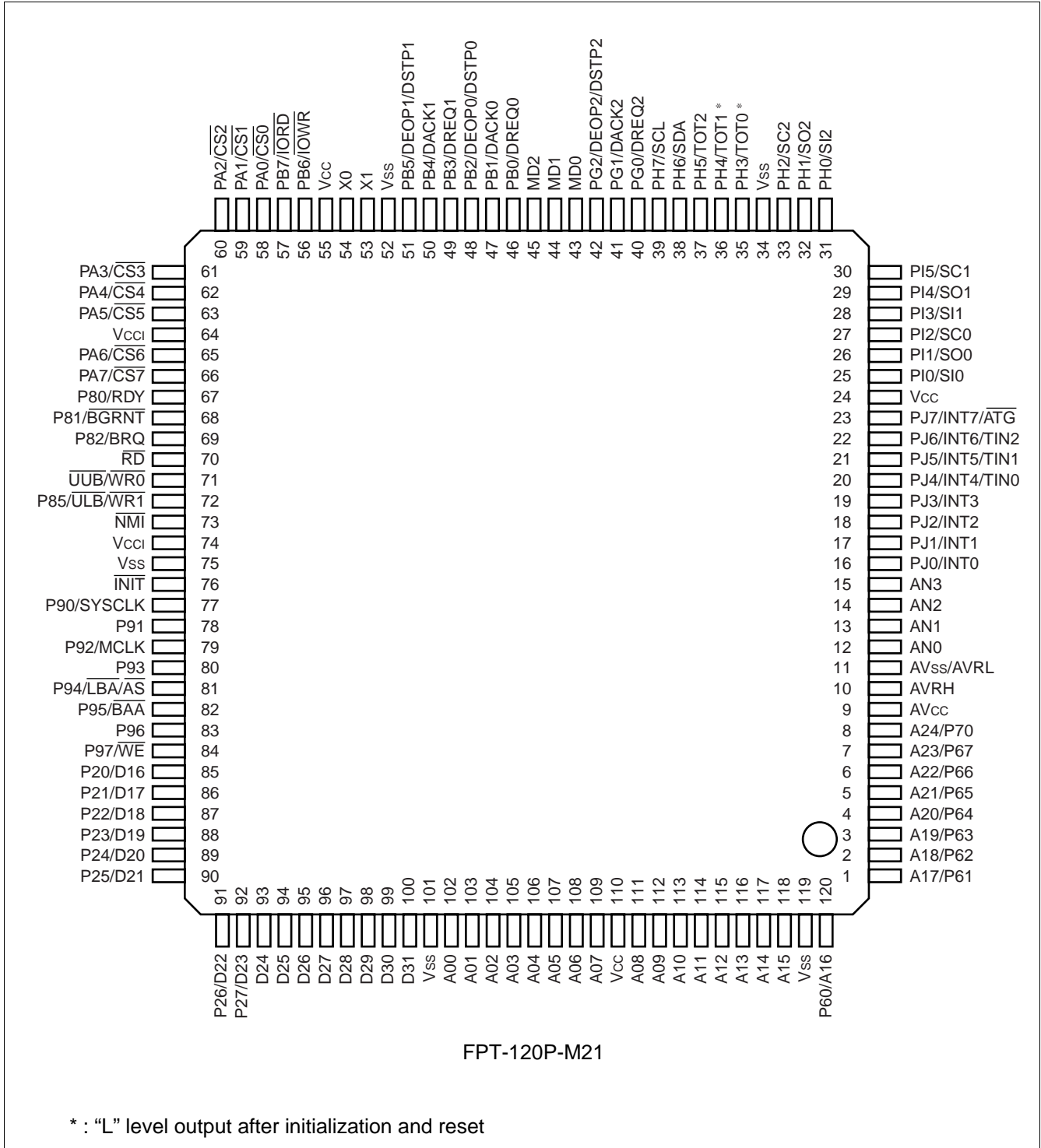
Other features

- Built-in oscillator circuit for clock source, PLL multiplier selection enabled
- $\overline{\text{INIT}}$ reset pin
- Also included: watchdog timer reset, software reset
- Power-saving modes: stop mode, sleep mode supported
- Gear functions
- Built-in time base timer
- Packages: LQFP-120 (FPT-120P-M21) : MB91306R, MB91307R
: MB91V307R (Evaluation products)
- CMOS technology : 0.25 μm : MB91V307R, 0.18 μm : MB91306R, MB91307R
- Supply voltage : MB91V307R : 3.3 V \pm 0.3 V (built-in regulator 3.3 V \rightarrow 2.5 V)
: MB91306R, MB91307R : 3.3 V \pm 0.3 V, 1.8V \pm 0.15 V dual power supplies

*: Purchase of Fujitsu I²C components conveys a license under the Philips I²C Patent rights to use, these components in an I²C system provided that the system conforms to the I²C Standard Specification as defined by Philips.

MB91307 Series

■ PIN ASSIGNMENT



■ PIN DESCRIPTIONS

Pin no.	Pin name	I/O circuit type	Description
85 to 92	D16 to D23	C	External data bus bit 16 to bit 23 Valid only in external bus 16-bit mode.
	P20 to P27		These pins can be used as ports in external bus 8-bit mode
93 to 100	D24 to D31	C	External data bus bit 24 to bit 31
102 to 109	A00 to A07	F	External address output bit0 to bit7
111 to 118	A08 to A15	F	External address output bit8 to bit15
120, 1 to 7	A16 to A23	F	External address output bit16 to bit23
	P60 to P67		These pins can be used as ports according to setting
8	A24	F	External data bus output bit24
	P70		This pin can be used as a port according to setting
9	AV _{cc}	—	Power supply pin. Analog power supply for A/D converter
10	AVRH	—	A/D converter reference voltage supply
11	AV _{ss} /AVRL	—	Power supply pin. Analog power supply for A/D converter
12 to 15	AN0 to AN3	D	A/D converter reference voltage supply. Analog input pin.
16 to 19	INT0 to INT3	I	External interrupt input. When the corresponding external interrupt is enabled, this input is in use at all times, so that output from other functions must be stopped unless used intentionally
	PJ0 to PJ3		General purpose input/output port
20 to 22	TIN0 to TIN2	I	Reload timer input. When the corresponding timer input is enabled, this input is in use at all times, so that output from other functions must be stopped unless used intentionally.
	INT4 to INT6		External interrupt input. When the corresponding external interrupt is enabled, this input is in use at all times, so that output from other functions must be stopped unless used intentionally.
	PJ4 to PJ6		General purpose input/output port
23	$\overline{\text{ATG}}$	I	A/D converter external trigger input. When selected as an A/D start source, this input is in use at all times, so that output from other functions must be stopped unless used intentionally.
	INT7		External interrupt input. When the corresponding external interrupt is enabled, this input is in use at all times, so that output from other functions must be stopped unless used intentionally.
	PJ7		General purpose input/output port
25	SI0	F	UART0 data input. When the UART0 channel is in input operation, this input is in use at all times, so that output from other functions must be stopped unless used intentionally.
	PI0		General purpose input/output port.
26	SO0	F	UART0 data output. This function is valid when the UART0 data output function setting is disabled.
	PI1		General purpose input/output port. This function is valid when the UART0 data output function setting is disabled.

MB91307 Series

Pin no.	Pin name	I/O circuit type	Description
27	SC0	F	UART0 clock output. The clock output is valid when the UART0 clock output function setting is enabled.
	PI2		General purpose input/output port. This function is valid when the UART0 clock output function is disabled.
28	SI1	F	UART1 data input. When UART1 is set for input operation, this input is in use at all times, so that output from other functions must be stopped unless used intentionally.
	PI3		General purpose input/output port.
29	SO1	F	UART1 data output. This function is enabled when the UART1 data output function setting is enabled.
	PI4		General purpose input/output port. This function is valid when the UART1 data output function setting is disabled.
30	SC1	F	UART1 clock input/output. The clock output is enabled when the UART1 clock output function setting is enabled.
	PI5		General purpose input/output port. This function is valid when the UART1 clock output function setting is disabled.
31	SI2	F	UART2 data input. When UART2 is set for input operation, this input is in use at all times, so that output from other functions must be stopped unless used intentionally.
	PH0		General purpose input/output port.
32	SO2	F	UART2 data output. This function is enabled when the UART2 data output function setting is enabled.
	PH1		General purpose input/output port. This function is enabled when the UART2 data output function setting is disabled.
33	SC2	F	UART2 clock input/output. The clock output is enabled when the UART2 clock output function setting is enabled.
	PH2		General purpose input/output port. This function is enabled when the UART2 clock output function is disabled.
35	TOT0	C	Timer output port. This function is valid when the timer output setting is enabled.
	PH3		General purpose input/output port. This pin outputs an "L" level signal at reset.
36	TOT1	C	Timer output port. This function is valid when the timer output setting is enabled.
	PH4		General purpose input/output port. This pin outputs an "L" level signal at reset.
37	TOT2	C	Timer output port. This function is valid when the timer output is enabled.
	PH5		General purpose input/output port.

(Continued)

Pin no.	Pin name	I/O circuit type	Description
38	SDA	Q	I ² C bus input/output port. This function is valid when I ² C operation is enabled. When the I ² C bus is in use, the port output must be set to Hi-Z level. When the I ² C bus is in use, this is an open drain pin.
	PH6		General purpose input/output port.
39	SCL	Q	I ² C bus input/output port. This function is valid when I ² C operation is enabled. When the I ² C bus is in use, the port output must be set to Hi-Z level. When the I ² C bus is in use, this is an open drain pin.
	PH7		General purpose input/output port.
40	DREQ2	F	DMA external transfer request input. When selected as a DMA startup source, this input is in use at all times, so that output from other functions must be stopped unless used intentionally.
	PG0		General purpose input/output port.
41	DACK2	F	DMA external transfer request acknowledge output. This function is valid when the DMA transfer request acknowledge output setting is enabled.
	PG1		General purpose input/output port. This function is valid when the DMA transfer request acknowledge output setting is enabled.
42	DEOP2	F	DMA external transfer end output. This function is valid when the DMA external transfer end output setting is enabled.
	DSTP2		DMA external transfer stop input. This function is valid when the DMA external transfer stop input setting is enabled.
	PG2		General purpose input/output port. This function is valid when the DMA external transfer end output selection and the DMA external transfer stop input selection are disabled.
43 to 45	MD2 to MD0	G	Mode pins 2 to 0. The setting of these two pins determines the basic operating mode. They should be connected to V _{CC} or V _{SS} .
46	DREQ0	F	DMA external transfer request input. When selected as a DMA startup source, this input is in use at all times, so that output from other functions must be stopped unless used intentionally.
	PB0		General purpose input/output port.
47	DACK0	F	DMA external transfer request acknowledge output. This function is valid when the DMA transfer request acknowledge output setting is enabled.
	PB1		General purpose input/output port. This function is enabled when the DMA transfer request acknowledge output setting is disabled.
48	DEOP0	F	DMA external transfer end output. This function is valid when the DMA external transfer end output setting is enabled.
	DSTP0		DMA external transfer stop input. This function is valid when the DMA external transfer stop input setting is enabled.
	PB2		General purpose input/output port. This function is valid when the DMA external transfer end output selection and the DMA external transfer stop input selection are disabled.

(Continued)

MB91307 Series

Pin no.	Pin name	I/O circuit type	Description
49	DREQ1	F	DMA external transfer request input. When selected as a DMA startup source, this input is in use at all times, so that output from other functions must be stopped unless used intentionally.
	PB3		General purpose input/output port.
50	DACK1	F	DMA external transfer request acknowledge output. This function is valid when the DMA transfer request acknowledge output setting is enabled.
	PB4		General purpose input/output port. This function is enabled when the DNA transfer request acknowledge output setting is disabled.
51	DEOP1	F	DMA external transfer end output. This function is valid when the DMA external transfer end output setting is enabled.
	DSTP1		DMA external transfer stop input. This function is valid when the DMA external transfer stop input setting is enabled.
	PB5		General purpose input/output port. This function is valid when the DMA external transfer end output selection and the DMA external transfer stop input selection are disabled.
53	X1	A	Clock (oscillator) output
54	X0		Clock (oscillator) input
56	$\overline{\text{IOWR}}$	F	Write strobe output for DMA fly-by transfer. This function is valid when the DMA fly-by transfer write strobe output setting is enabled.
	PB6		General purpose input/output port. This function is valid when the DMA fly-by transfer write strobe output setting is disabled.
57	$\overline{\text{IORD}}$	F	Read strobe output for DMA fly-by transfer. This function is valid when the DMA fly-by transfer read strobe output setting is enabled.
	PB7		General purpose input/output port. This function is valid when the DMA fly-by transfer read strobe output setting is disabled.
58	CS0	F	Chip select output. This function is valid when the chip select 0 output setting is enabled.
	PA1		General purpose input/output port. This function is valid when the chip select 0 output setting is disabled.
59	CS1	F	Chip select output. This function is valid when the chip select 1 output setting is enabled.
	PA1		General purpose input/output port. This function is valid when the chip select 1 output setting is disabled.
60	CS2	F	Chip select output. This function is valid when the chip select 2 output setting is enabled.
	PA2		General purpose input/output port. This function is valid when the chip select 2 output setting is disabled.
61	CS3	F	Chip select output. This function is valid when the chip select 3 output setting is enabled.
	PA3		General purpose input/output port. This function is valid when the chip select 3 output setting is disabled.

(Continued)

www.DataSheet4U.com

Pin no.	Pin name	I/O circuit type	Description
62	CS4	F	Chip select output. This function is valid when the chip select 4 output setting is enabled.
	PA4		General purpose input/output port. This function is valid when the chip select 4 output setting is disabled.
63	CS5	F	Chip select output. This function is valid when the chip select 5 output setting is enabled.
	PA5		General purpose input/output port. This function is valid when the chip select 5 output setting is disabled.
64	V _{cc1}	—	Internal Power supply pin (1.8 V power supply) .
65	CS6	F	Chip select output. This function is valid when the chip select 6 output setting is enabled.
	PA6		General purpose input/output port. This function is valid when the chip select 6 output setting is disabled.
66	CS7	F	Chip select output. This function is valid when the chip select 7 output setting is enabled.
	PA7		General purpose input/output port. This function is valid when the chip select 7 output setting is disabled.
67	RDY	C	External ready signal input. This function is valid when the external ready input setting is enabled.
	P80		General purpose input/output port. This function is valid when the external ready input setting is disabled.
68	$\overline{\text{BGRNT}}$	F	External bus open acknowledge output. This pin outputs an L level signal when the external bus is open. This function is valid when the output setting is enabled.
	P81		General purpose input/output port. This function is valid when the output setting is disabled.
69	BRQ	P	External bus open request input. The input value is "1" when the external bus is open. This function is valid when the input setting is enabled.
	P82		General purpose input/output port. This function is valid when the input setting is disabled.
70	$\overline{\text{RD}}$	M	External bus read strobe output.
71	$\overline{\text{WR0}}$ $\overline{\text{UUB}}$	F	External bus write strobe output. Upper side of the 16-bit SRAM input/output mask enable signal. It is valid when the external bus is set to SRAM use. ($\overline{\text{WE}}$ /P97 function as the write strobe.)
72	$\overline{\text{WR1}}$ $\overline{\text{ULB}}$	F	External bus write strobe output. Lower side of the 16-bit SRAM input/output mask enable signal. It is valid when the external bus is set to SRAM use. ($\overline{\text{WE}}$ /P97 function as the write strobe.)
	P85		General purpose input/output port. This function is valid when the enable output setting is disabled.

(Continued)

MB91307 Series

(Continued)

Pin no.	Pin name	I/O circuit type	Description
73	$\overline{\text{NMI}}$	H	$\overline{\text{NMI}}$ request input
74	V_{CCI}	H	Internal Power supply pin(1.8 V power supply)
76	$\overline{\text{INIT}}$	B	External reset input
77	SYSCLK	F	System clock output. This function is valid when the system clock output setting is enabled. The clock signal output is at the same frequency as the external bus operating frequency. Clock output halts in the stop mode or the hardware standby mode.
	P90		General purpose input/output port. This function is enabled when the system clock output setting is disabled.
78	P91	F	General purpose input/output port. This function is enabled when the SDRAM clock enable output setting is disabled.
79	MCLK	F	Memory clock output. Clock output halts in the sleep mode, the stop mode or the hardware standby mode.
	P92		General purpose input/output port. This function is enabled when the clock output setting is disabled.
80	P93	F	General purpose input/output port. This function is enabled when the SDRAM clock re-input setting is disabled.
81	$\overline{\text{AS}}$	F	Address strobe output. This function is valid when the address strobe output setting is disabled.
	$\overline{\text{LBA}}$		Burst flash ROM address load output. This function is valid when the address load output setting is enabled.
	P94		General purpose input/output port. This function is valid when the address load output and address strobe output settings are disabled.
82	$\overline{\text{BAA}}$	F	Burst flash ROM address advance output. This function is valid when the address advance output setting is enabled.
	P95		General purpose input/output port. This function is valid when the address advance output and column address strobe output settings are disabled.
83	P96	F	General purpose input/output port. This function is enabled when the column address strobe output setting is disabled.
84	$\overline{\text{WE}}$	F	Write strobe output for 16-bit SRAM. This function is enabled when the write strobe output setting is enabled.
	P97		General purpose input/output port. This function is enabled when the write strobe output setting is prohibited.
9	AV_{CC}	—	A/D converter power supply
10	AVRH	—	A/D converter power supply
11	$AV_{\text{SS}}/AV_{\text{RL}}$	—	A/D converter power supply (GND)
24, 55, 110	V_{CC}	—	Power supply pins
34, 52, 75, 101	V_{SS}	—	Power supply pins (GND)

■ I/O CIRCUIT TYPE

Type	Circuit	Remarks
A	<p>STANDBY CONTROL</p>	<ul style="list-style-type: none"> Oscillator feedback resistance approx. 1 MΩ
B	<p>digital input</p>	<ul style="list-style-type: none"> CMOS hysteresis input with pull-up resistance (25 kΩ)
C	<p>digital output</p> <p>digital output</p> <p>digital input</p> <p>STANDBY CONTROL</p>	<ul style="list-style-type: none"> CMOS level input/output with standby control
D	<p>analog input</p> <p>CONTROL</p>	<ul style="list-style-type: none"> Analog input with switch

(Continued)

MB91307 Series

Type	Circuit	Remarks
F	<p>digital output</p> <p>digital output</p> <p>digital input</p> <p>STANDBY CONTROL</p>	<ul style="list-style-type: none"> • CMOS level output • CMOS level hysteresis input with standby control
G	<p>digital input</p>	<ul style="list-style-type: none"> • CMOS level input without standby control
H	<p>digital input</p>	<ul style="list-style-type: none"> • CMOS level hysteresis input without standby control
I	<p>digital output</p> <p>digital output</p> <p>digital input</p>	<ul style="list-style-type: none"> • CMOS level input • CMOS level hysteresis input without standby control
M	<p>digital output</p> <p>digital output</p>	<ul style="list-style-type: none"> • CMOS level input

(Continued)

(Continued)

Type	Circuit	Remarks
P		<ul style="list-style-type: none"> • CMOS level input/output with standby control with pull-down resistance (25 kΩ)
Q		<ul style="list-style-type: none"> • Open drain output CMOS level hysteresis input with standby control

MB91307 Series

■ HANDLING DEVICES

○ MB91307 Series

• Preventing Latchup

When CMOS integrated circuit devices are subjected to applied voltages higher than V_{CC} at input and output pins (other than medium- and high-withstand voltage pins), or to voltages lower than V_{SS} , as well as when voltages in excess of rated levels are applied between V_{CC} and V_{SS} , a phenomenon known as latchup can occur. When a latchup condition occurs, supply current can increase dramatically and may destroy semiconductor elements. In using semiconductor devices, always take sufficient care to avoid exceeding maximum ratings.

• Treatment of unused pins

Do not leave an unused input pin open, since it may cause a malfunction. Handle by, using a pull-up or pull-down resistor.

• About power supply pins

In products with multiple V_{CC} or V_{SS} pins, the pins of the same potential are internally connected in the device to avoid abnormal operations including latch-up. However, you must connect the pins to external power supply and a ground line to lower the electro-magnetic emission level, to prevent abnormal operation of strobe signals caused by the rise in the ground level, and to conform to the total output current rating.

Moreover, connect the current supply source with the V_{CC} and V_{SS} pins of this device at the low impedance.

It is also advisable to connect a ceramic bypass capacitor of approximately 0.1 mF between V_{CC} and V_{SS} near this device.

• Notes on Power-ON/shut-down

Cautions to take when turning on/off V_{CCI} (1.8-V internal power supply) and V_{SS} (3.3-V external-pin power supply)

Do not apply V_{SS} (external) alone continuously (for over an indication of one minute) with V_{CCI} (internal) disconnected not to cause a reliability problem with the LSI.

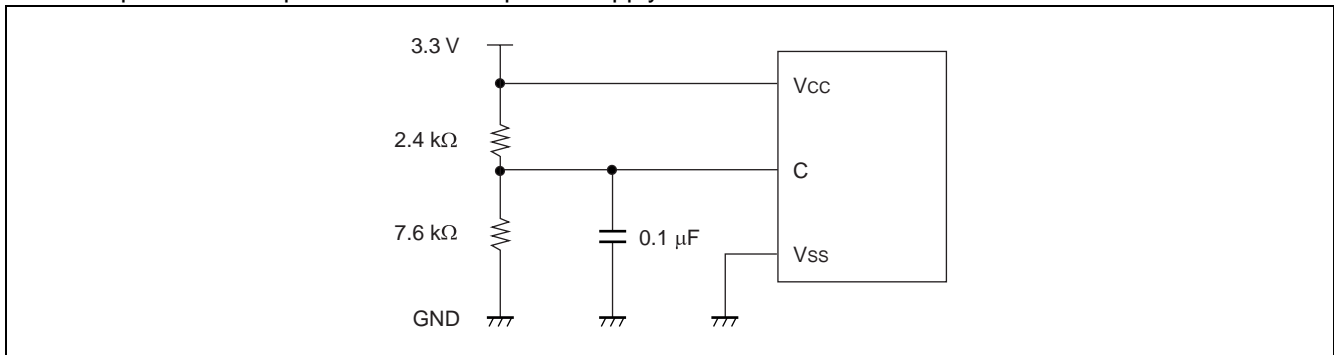
When V_{SS} (external) returns from the OFF state to the ON state, the circuit may fail to hold its internal state, for example, due to power supply noise.

When the power is turned on	V_{CCI} (internal) → V_{SS} (external) → Signal
When the power is turned off	Signal → V_{SS} (external) → V_{CCI} (internal)

• Precautions for use of stop mode

The built-in regulator in this device stops operating when the device is in stop mode. In such cases as when increased leak current (I_{CCH}) in stop mode, or abnormal operation or power fluctuation due to noise while in operating mode cause the regulator to stop, the internal 2.5 V power supply can fall below the voltage at which operation is assured. Therefore it is necessary when using the internal regulator and stop mode to assure that the external power supply does not fall below 3.3 V. And even if this should occur, the internal regulator can be set to restart when a reset is applied. (In this case the oscillator stabilization wait period should also be set to "L" level.)

- Sample use of Stop Mode with 3.3 V power supply



- About crystal oscillator circuit

Noise near the X0 and X1 pins may cause the device to malfunction. Design the printed circuit board so that X0, X1, the crystal oscillator (or ceramic oscillator), and the bypass capacitor to ground are located as close to the device as possible.

It is strongly recommended to design the PC board artwork with the X0 and X1 pins surrounded by ground plane because stable operation can be expected with such a layout.

- Treatment of NC pins

Any pins marked “NC” (not connected) must be left open.

- About mode pins (MD0 to MD2)

Mode pins (MD0 to MD2) should be connected directly to V_{CC} or V_{SS}.

To prevent the device erroneously switching to test mode due to noise, design the printed circuit board such that the distance between the mode pins and V_{CC} or V_{SS} is as short as possible and the connection impedance is low.

- Operation at startup

Immediately after a power-on startup, always apply a reset initialization (INIT) at the $\overline{\text{INIT}}$ pin. Also, in order to assure a wait period for the oscillator circuits to stabilize immediately after startup, be sure that the “L” level input to the $\overline{\text{INIT}}$ pin continues for the required stabilization wait interval. (The INIT cycle for the $\overline{\text{INIT}}$ pin includes only the minimum setting for the stabilization wait period.)

- Base oscillator input at startup

At power-on startup, always input a clock signal until the oscillator stabilization wait period is ended.

- Caution on Operations during PLL Clock Mode

If the PLL clock mode is selected, the microcontroller attempt to be working with the self-oscillating circuit even when there is no external oscillator or external clock input is stopped. Performance of this operation, however, cannot be guaranteed.

- Precaution on using ports 6 and 7

If one of P60/A15 to P70/A24, which are shared for output of external bus interface addresses, is used as a port, a grid voltage is applied to the port instantaneously when the status of another address output pin is changed. Therefore, add resistors or capacitors to those ports to prevent application of the grid voltage.

MB91307 Series

- Clock control block

For L-level input to the $\overline{\text{INIT}}$ pin, allow for the regulator settling time or oscillation settling time.

- Bit search module

The 0-detection, 1-detection, and transition-detection data registers (BSD0, BSD1, and BSDC) are only word-accessible.

- Prefetch

When accessing a prefetch-enabled little endian area, use word access only (access in 32 bits).

Byte or halfword access results in wrong data read.

- Setting of external bus

The MB91307 series is guaranteed at an external bus frequency of 33 MHz. As the external bus is capable of supporting 66 MHz for future enhancements, the initial value is the same rate as the base clock (determined by the PLL setting) . The external bus is set to 66 MHz if you set the base clock to 66 MHz with the external-bus base clock division setting register (DIVR1) containing the initial value. To change the base clock frequency, set the external bus frequency not exceeding 33 MHz and set the new base clock frequency.

- MCLK and SYSCLK

MCLK causes a stop in SLEEP/STOP mode while SYSCLK causes a stop only in STOP mode. Use either depending on each application.

- I²C input/output pin

The SDA and SCL pins of the MB91307 series are pseudo open-drain pins with the P-ch transistor turned off to prevent the "H" level from being output. As the circuit configuration has a diode added to the V_{CC} side, therefore, the communication voltage must be adjusted to the 3.3-V power supply of this model (pulled up to a voltage of 3.3 V) .

- Shared port function switching

To switch a pin that also serves as a port, use the port function register (PFR). Note, however, that bus pins are switched depending on external bus settings.

- Pull-up control

Connecting a pull-up resistor to the pin serving as an external bus pin cannot guarantee the AC standard.

Even the port for which a pull-up resistor has been set is invalid in stop mode with HIZ = 1 or in hardware standby mode.

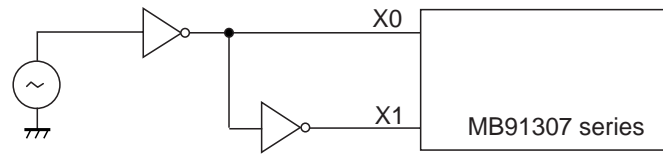
- I/O port access

Byte access only for access to port

- Remarks for the external clock operation

When selecting the external clock, active X0 pin generally. Also simultaneously the opposite phase clock to X0 must be supplied to X1 pin. When using the clock along with STOP (oscillation stopped) mode, the X1 pin stops when "H" is input in STOP mode. To prevent one output from competing against another, in this case, the stop mode must not be used.

www.DataSheet4U.com



Using external clock (normal)

Note : Stop mode (oscillation stop mode) cannot be used.

- Low-power consumption modes

- To enter the standby mode, use the synchronous standby mode (set with the SYNCS bit as bit 8 in the TBCR, or time-base counter control register) and be sure to use the following sequence:

```

(LDI  #value_of_standby, R0)
(LDI  #_STCR, R12)
STB   R0, @R12           ; Write to standby control register (STCR)
LDUB  @R12, R0          ; Read STCR for synchronous standby
LDUB  @R12, R0          ; Read STCR again for dummy read
NOP                    ; NOP x 5 for timing adjustment
NOP
NOP
NOP
NOP
NOP

```

Set the I-flag and the ILM and ICR registers to branch to an interrupt handler when the interrupt handler triggers the microcontroller to return from the standby mode.

- If you use the monitor debugger, follow the precautions below:

Do not set a breakpoint within the above array of instructions.
Do not single-step the above array of instructions.

- Current at power-on (only for MB91V307R)

About 300 mA of power supply current flows when the power is turned on with $\overline{\text{INIT}}$ set to 0.

Set $\overline{\text{INIT}}$ to 1 to stop the overcurrent flowing. After that, the overcurrent will not flow even if $\overline{\text{INIT}}$ is set to 0.

- Watchdog timer

The watchdog timer function of this model monitors that a program delays a reset within a certain period of time and resets the CPU if the program fails to delay it, for example, because the program runs out of control. Once the watchdog timer function is enabled, therefore, the watchdog timer continues to operate until a reset takes place.

An exception, for example during stop, sleep and DMA transfer modes, is the automatic delaying of a reset under a condition in which the CPU stops program execution.

Note, however, that a watchdog reset may not occur in the above state caused when the system runs out of control. If this is the case, use the external $\overline{\text{INIT}}$ pin to cause a reset (INIT).

MB91307 Series

- Terminal and timing control register (TCR) (0x00000683)

The terminal and timing control register (TCR) is a write-only register. Therefore, do not access TCR with a bit manipulation instruction.

If you intend to disable sharing of the bus by writing “0” to Bit 7 (BREN bit) of TCR when the bit is “1”, be sure to follow the procedure below. If the procedure is not followed, the device may hang up.

1. Write “0” to Bit 2 (BRQE bit) of the port 8 function register (PFR8).
2. Write “0” to Bit 7 (BREN bit) of TCR.

- $\overline{RD}/\overline{WR} \rightarrow \overline{CS}$ hold extension cycle

Assume that use of the $\overline{RD}/\overline{WR} \rightarrow \overline{CS}$ hold extension cycle is specified (Bit 0 of AWR is 1) for an area for which the normal memory/IO access type is set (the TYPE3 to TYPE0 bits of ACR are 0xxx). Even in this case, the hold extension cycle might not be inserted when the operation and settings are specified in a specific combination.

The hold extension cycle will not be inserted when the following conditions are met:

- Use of the $\overline{RD}/\overline{WR} \rightarrow \overline{CS}$ hold extension cycle is specified.
(Bit 0 [W00 bit] of AWR is 1.)
- A normal memory/IO access type is set for the area.
(Bits 3 to 0 [TYPE3 to TYPE0 bits] of ACR are 0xxx.)
Note: The MB91307 series allows only this type to be set.
- Disuse of the address $\rightarrow \overline{CS}$ delay cycle is specified.
(Bit 2 [W02 bit] of AWR is 0.)
- A setting (recovery enabled) other than 0 cycle is made for the write recovery cycle.
(Bits 5 and 4 [W05 and W04 bits] of AWR are other than 00.)
(Example: First word writing to an external bus 16-bit area)
- If an access is made to write data larger than the bus width to the relevant area under the above conditions, the $\overline{RD}/\overline{WR}$ - \overline{CS} hold extension cycle is not inserted in any cycle other than the last cycle to write divisions of the data. Therefore, the hold time becomes insufficient.
Note : This problem does not occur in the read cycle.

To use this function, make either of the following settings:

- Specify the use of the address $\rightarrow \overline{CS}$ delay cycle.
(Set 1 for Bit 2 [W02 bit] of AWR.)
- Specify 0 cycle for the write recovery cycle.
(Set 00 for Bits 5 and 4 [W05 and W04 bits] of AWR.)

- Signed DIVIDE statement (DIVOS)

When the instruction immediately before the instruction of DIVOS is an instruction by which the memory access is done, a correct calculation result might not be obtained.

This is generated under the following conditions.

- When the instruction performs memory accesses just before a DIVOS instruction.

Note : Instructions that performs relevant memory accesses (a total of 58 instructions)

ST Ri, @- R15	ST Rs, @- R15	ST PS, @- R15
STB Ri, @Rj	STB Ri, @ (R13, Rj)	DMOVB R13, @dir8
STB Ri, @ (R14, disp8)	LDUB @Rj, Ri	LD @ (R13, Rj), Ri
LDUH @ (R13, Rj), Ri	LDUB @ (R13, Rj), Ri	DMOV @dir10, R13
DMOVH @dir9, R13	DMOVB @dir8, R13	LD @ (R14, disp10), Ri

www.DataSheet4U.com

LDUH @ (R14, disp9), Ri	LDUB @ (R14, disp8), Ri	AND Rj, @Ri
ANDH Rj, @Ri	ANDB Rj, @Ri	ORB Rj, @Ri
EORB Rj, @Ri	DMOV @R13+, @dir10	DMOVH @R13+, @dir9
DMOVB @R13+, @dir8	DMOV @dir10, @R13+	DMOVH @dir9, @R13+
DMOVB @dir8, @R13+	DMOV @R15+, @dir10	DMOV @dir10, @- R15

- When full trace mode is specified as trace mode and the DIVOS and DIV1 instructions are not 4-byte aligned.
- Even if the DIVOS and DIV1 instructions are 4-byte aligned, perform a D-bus DMA transfer or specify the full trace mode as trace mode if a breakpoint is set in the DIV1 instruction.

Avoid this notes as follows:

- (1) Do not place an instruction that performs memory access before a DIVOS instruction.
- (2) Do not perform a DMA transfer to the D-bus or set full trace mode as trace made when a DIVOS instruction is specified.

To output the code for avoiding above (1) condition, specify "-@div0s 1" as the compiler option.

SOFTUNE compiler:

- In case of using the SOFTUNE V3: after the SOFTUNE compiler V30L07R07
- In case of using the SOFTUNE V5: after the SOFTUNE compiler V50L04
- In case of using the SOFTUNE V6: after the SOFTUNE compiler V60L01

- DMA demand transfer

In sleep mode, demand transfer is executed only once and processing does not go further. During normal operation, the efficiency of demand transfers may seem to be lowered.

This action occurs only in demand transfers (it does not occur in DREQ edge detection mode or the like).

This is occurred in the following cases:

- A demand transfer by DMAC is performed in sleep mode.
 - After a demand transfer is performed once, processing does not go further although DREQ is input successively.
 - A subsequent transfer is started if the device is released from sleep mode and an external bus operation other than a DMA transfer occurs.
- A demand transfer by DMAC is performed during normal operation.
 - After a demand transfer is performed once, a subsequent transfer is not performed until an external bus access other than a DMA transfer occurs.
 - A demand transfer does not progress while there is no external bus access because cache hitting is performed continuously or internal ROM operation continues.
- A subsequent demand transfer is not started even if an external bus access for prefetching occurs.

Avoid this notes as follows:

- Do not perform a demand transfer by DMAC in sleep mode.
- Do not use sleep mode during a demand transfer by DMAC.

MB91307 Series

- RMW instructions using R15

If one of the instructions listed below is executed, the value of SSP or USP* is not used as the value of R15 and, as a result, an incorrect value is written to memory. Therefore, the compiler does not generate the following instructions:

AND	R15,@Rj	ANDH	R15,@Rj	ANDB	R15,@Rj
OR	R15,@Rj	ORH	R15,@Rj	ORB	R15,@Rj
EOR	R15,@Rj	EORH	R15,@Rj	EORB	R15,@Rj
XCHB	@Rj,R15				

* : R15 is an insubstantial register. If R15 is accessed by a program, SSP or USP is accessed according to the state of the S flag of the PS register.

Avoid this notes as follows:

- When programming any of the above 10 instructions by an assembler, specify a general-purpose register in place of R15.
- Executing instructions on RAM
 - If instruction codes are placed in RAM, they should not be placed in the last 8 address bytes 0005 FFF8_H to 0005 FFFF_H. (Instruction code prohibited area)

- Notes on the PS register

Since some instructions manipulate the PS register earlier, the following exceptions may cause the interrupt handler to break or the PS flag to update its display setting when the debugger is being used. As the microcontroller is designed to carry out reprocessing correctly upon returning from such an EIT event, it performs operations before and after the EIT as specified in either case.

- The following operations may be performed when the instruction immediately followed by a DIVOU/DIVOS instruction is (a) halted by a user interrupt or NMI, (b) single-stepped, or (c) breaks in response to a data event or emulator menu:
 - (1) D0 and D1 flags are updated earlier.
 - (2) The EIT handler (user interrupt/NMI or emulator) is executed.
 - (3) Upon returning from the EIT, the DIVOU/DIVOS instruction is executed and the D0 and D1 flags are updated to the same values as those in (1) above.
- The following operations are performed when the ORCCR/STILM/MOV Ri and PS instructions are executed to enable interruptions when a user interrupt or NMI trigger event has occurred.
 - (1) The PS register is updated earlier.
 - (2) The EIT handler (user interrupt/NMI or emulator) is executed.
 - (3) Upon returning from the EIT, the above instructions are executed and the PS register is updated to the same value as that in (1) above.

- Notes on I-bus Memory

Do not access data in the instruction cache control register or the instruction cache RAM immediately before the RETI instruction.

○Unique to the evaluation chip MB91V307R

- Simultaneous occurrences of a software break and a user interrupt/NMI

When a software break and a user interrupt /NMI take place at the same time, the emulator debugger can cause the following phenomena:

- The debugger stops pointing to a location other than the programmed breakpoints.
- The halted program is not re-executed correctly.

If these phenomena occur, use a hardware break instead of the software break. If the monitor debugger has been used, avoid setting any break at the relevant location.

- Single-stepping the RETI instruction

If an interrupt occurs frequently during single stepping, execute only the relevant processing routine repeatedly after single-stepping RETI. This will prevent the main routine and low-interrupt-level programs from being executed. Do not single-step the RETI instruction for avoidance purposes. When the debugging of the relevant interrupt routine becomes unnecessary, perform debugging with that interrupt disabled.

- Break function

- If the address of a current system stack pointer or an area that includes a stack pointer is specified as an object address of a hardware break (including an event break), a break occurs after one instruction is executed. The break occurs although the relevant user program does not include an actual data access instruction. To avoid this problem, do not set the (word) access to an area that includes the address of a system stack pointer as a target of a hardware break (including an event break).
- If an instruction that causes a wait is executed between an instruction to read a branch destination address from memory and a branch instruction, an instruction alignment error occurs at a point where an instruction alignment error cannot occur originally. Then, an ICE break (CPU error break) occurs, and execution of instructions stops. Furthermore, even if an instruction break is set for the branch destination address at the point where the above error occurs, a break might not occur.

Example: LD @R1,R0 ; read F-bus RAM
LD @R2,R3 ; read F-bus RAM
CALL @R0 ; An incorrect alignment error may occur or a break might not occur.

To avoid the incorrect alignment error as described above, turn off the alignment error function in debugger function setup.

To perform the instruction break correctly, do not specify use of a hardware break, but specify use of a software break in debugger function setup.

- Trace mode

If the trace mode for debugging is set to full trace mode, which uses internal FIFO memory as the output buffer, the current may increase or DMA access to the D-bus may be lost.

This is occurred if:

- A DMA transfer to the D-bus or standby mode occurs in full trace mode.

Use internal trace mode to avoid this notes.

MB91307 Series

- Alignment error (emulator debugger)

Assume that instruction alignment error break is enabled and an instruction that causes a wait is executed between an instruction to read a branch destination address from memory and a branch instruction. Under these conditions, an instruction alignment error occurs at a point where an instruction alignment error cannot occur originally, an ICE break occurs, and execution of instructions stops. Then, a message indicating an unknown break factor or a CPU error break is output.

Furthermore, even if an instruction break is set for the branch destination address at the point where the above error occurs, a break might not occur.

This problem occurs if the following three types of instructions are executed successively:

(1) LD or DMOV instructions causing a wait (reading a branch destination address)

LD @Rj,Ri	LDUH @Rj,Ri	
LD @(R13,Rj)Ri	LDUH @(R13,Rj),Ri	LDUB @(R13,Rj),Ri
LD @(R14,disp10),Ri	LDUH @(R14,disp9),Ri	LDUB @(R14,disp8),Ri
LD @R15+,Ri	LD @R15+,Rs	LD @R15+,PS
DMOV @dir10,R13	DMOVH @dir9,R13	DMOVB @dir8,R13

(2) Instructions causing a wait (reading F-bus RAM or external memory)

(3) Branch instructions such as JMP @Ri, JMP: D @Ri, CALL @Ri, CALL: D @Ri, RET, and RET: D

Example: LD@R1,R0 ;read F-bus RAM
LD@R2,R3 ;read F-bus RAM
CALL @R0

Avoid this notes as follows:

Assume that instruction alignment error break is enabled and an instruction that causes a wait is executed between an instruction to read a branch destination address from memory and a branch instruction. Under these conditions, an instruction alignment error occurs at a point where an instruction alignment error cannot occur originally, an ICE break occurs, and execution of instructions stops. Then, a message indicating an unknown break factor or a CPU error break is output.

Furthermore, even if an instruction break is set for the branch destination address at the point where the above error occurs, a break might not occur.

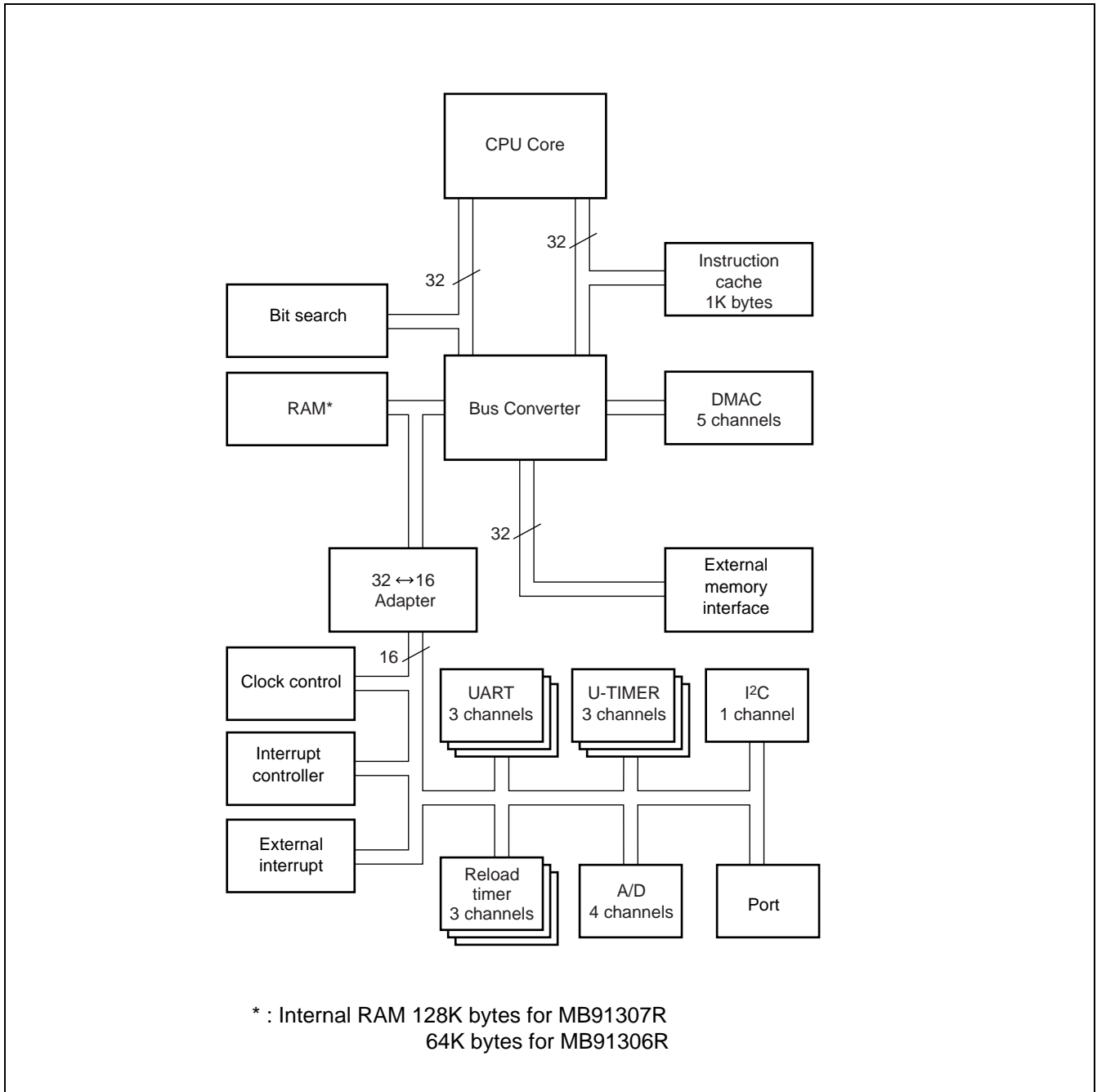
Avoid this problem as follows:

- To avoid the incorrect alignment error as described above, turn off the alignment error function in debugger function setup.
- To perform the instruction break correctly, set the break point in an address other than the branch destination address.

- Operand break

A stack pointer placed in an area set for a DSU operand break can cause a malfunction. Do not apply a data event break to access to the area containing the address of a system stack pointer.

■ BLOCK DIAGRAM



MB91307 Series

■ CPU AND CONTROL BLOCK

Internal Architecture

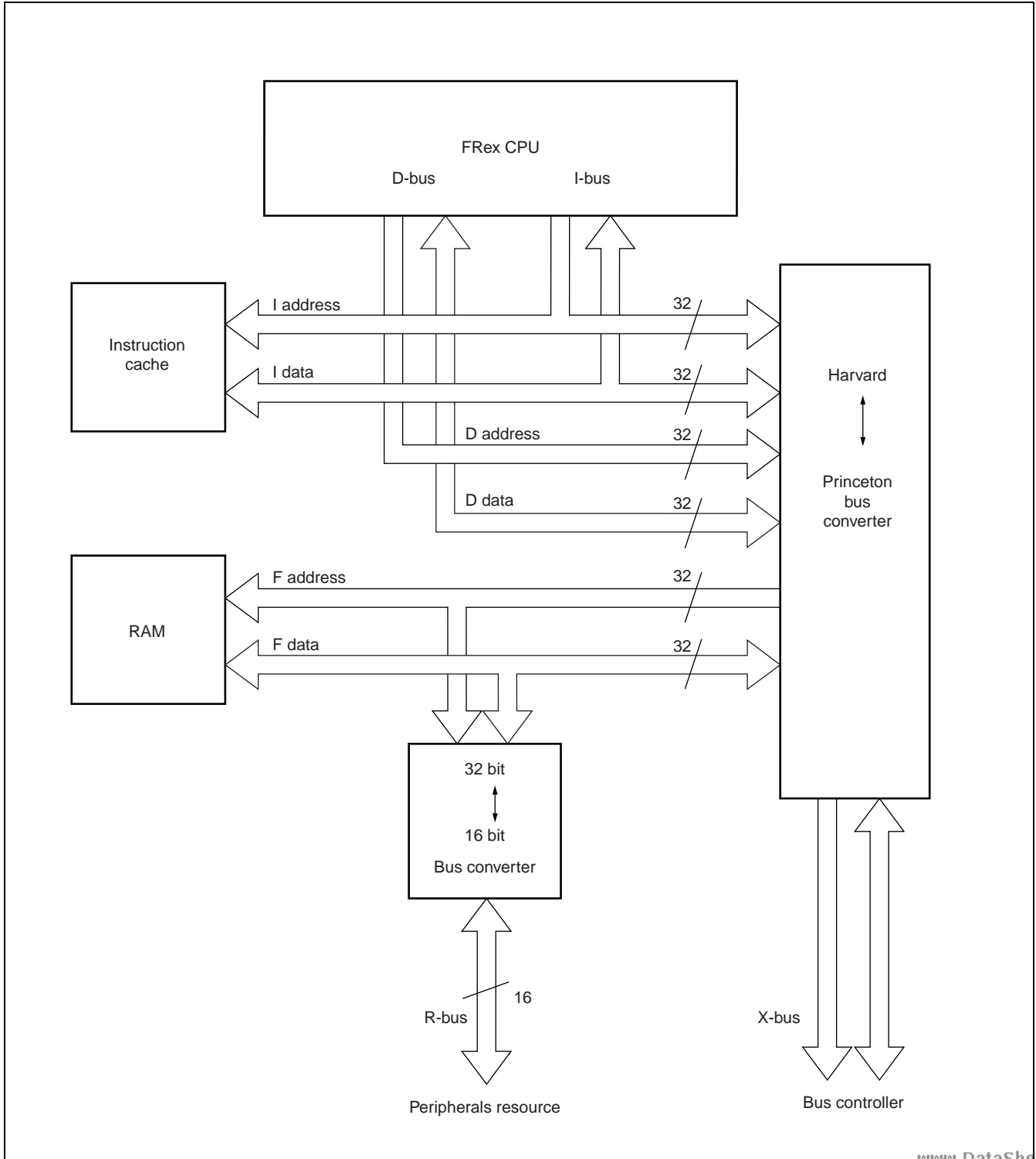
The FR series CPU is a high-performance core using RISC architecture with a high-capability instruction set intended for built-in applications.

1. Features

- Uses of RISC Architecture
Basic instruction set: 1 instruction to 1 cycle.
- 32-bit architecture
General-purpose registers: 32-bits × 16 registers
- 4G bytes linear memory space
- Built-in multipliers
32-bit × 32-bit multiplication: 5 cycles
16-bit × 16-bit multiplication: 3 cycles
- Enhanced interrupt processing
High-speed response (6 cycles)
Multiple interrupt support
Level masking functions (16 levels)
- Enhanced I/O operating instructions
Memory-to-memory transfer instructions
Bit processing instructions
- High code efficiency
Basic instruction length: 16 bits
- Low power consumption
Sleep mode, stop mode
- Gear function

2. Internal Architecture

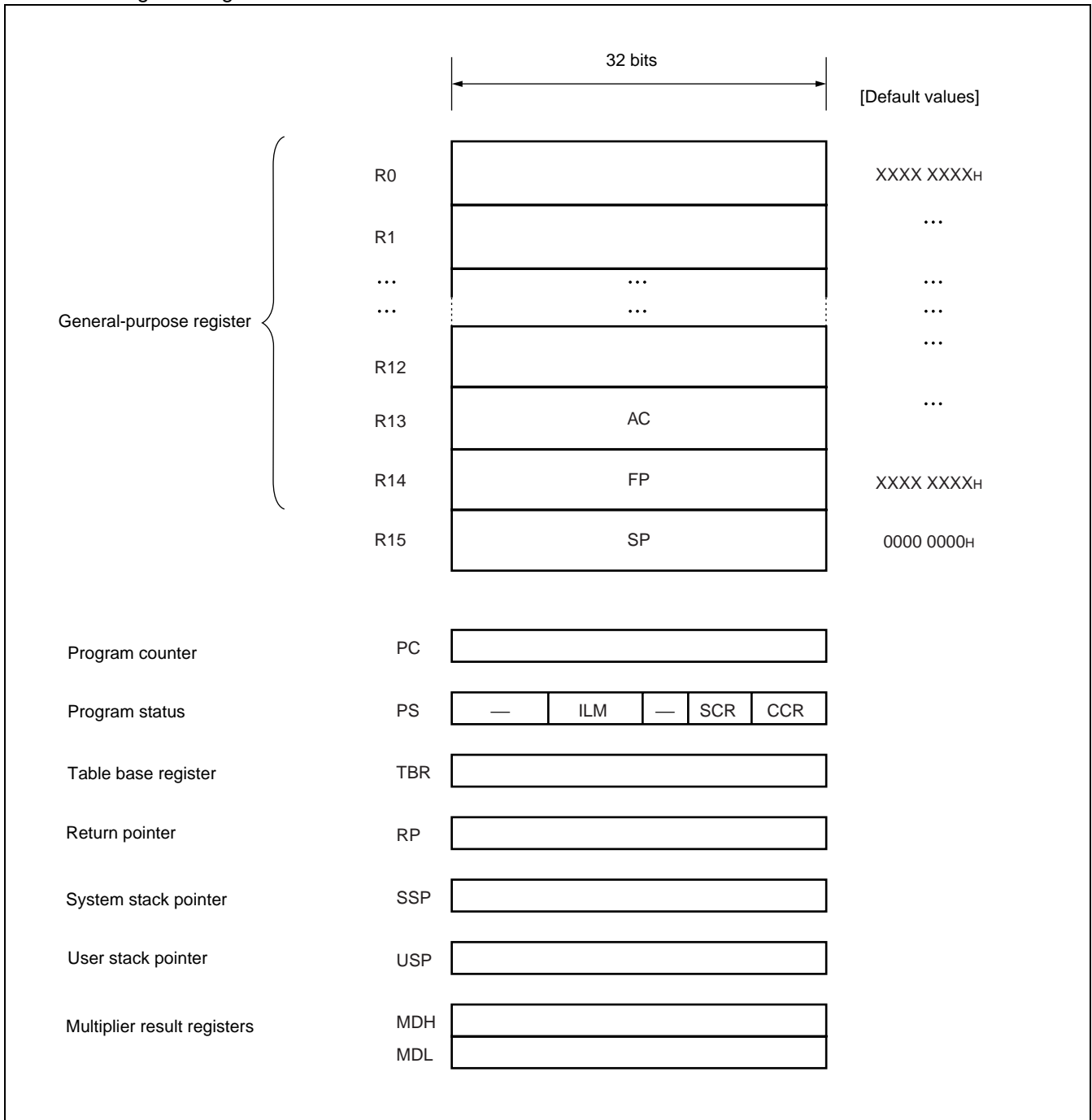
The FR series CPU uses a Harvard architecture with independent instruction bus and data bus. The instruction bus (I-bus) is connected to an on-chip instruction cache. a 32-bit \leftrightarrow 16-bit bus converter is connected to the bus (F-bus) to provide an interface between the CPU and peripheral resources. The Harvard \leftrightarrow Princeton bus converter is connected to the both the I-bus and D-bus as an interface between the CPU and bus controller.



MB91307 Series

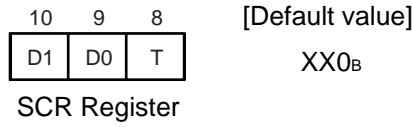
3. Programming Model

• Basic Programming Model



MB91307 Series

- SCR (System Condition code Register)



Stepwise division flags

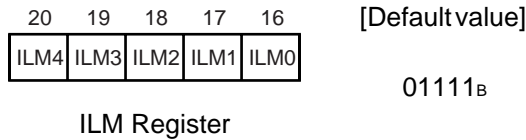
These flags store interim data during execution of stepwise division.

Step trace trap flag

Indicates whether the step trace trap is enabled or disabled.

The step trace trap function is used by emulators. When an emulator is in use, it cannot be used in execution of user programs.

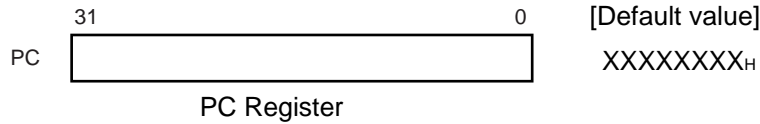
- ILM(Interrupt Level Mask Register)



This register stores interrupt level mask values, for use in level masking.

The register is initialized to value 15 (01111_B) at reset.

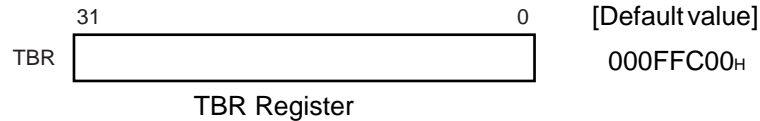
- PC (Program Counter Register)



The program counter indicates the address of the instruction that is executing.

The default value at reset is undefined.

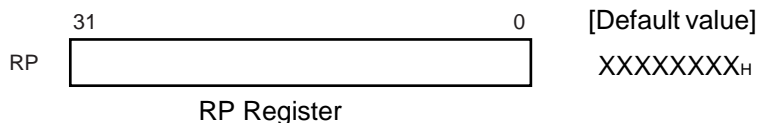
- TBR (Table Base Register)



The table base register stores the starting address of the vector table used in EIT processing.

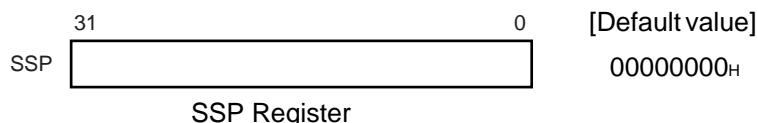
The default value at reset is 000FFC00_H.

- RP (Return Pointer)



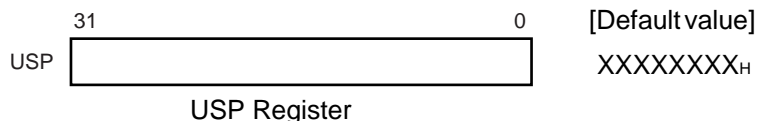
The return register stores the address for return from subroutines.
 During execution of a CALL instruction, the PC value is transferred to this RP register.
 During execution of a RET instruction, the contents of the RP register are transferred to this PC register.
 The default value at reset is undefined.

- SSP (System Stack Pointer)



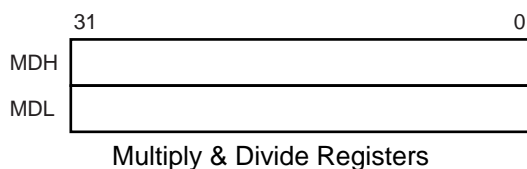
The SSP register is the system stack pointer.
 When the S flag is “0,” this register functions as the R15 register.
 The SSP register can also be explicitly specified.
 This register is also used as a stack pointer to indicate the stack to which the PS and PC are removed when an EIT occurs.
 The default value at reset is 00000000_H.

- USP (User Stack Pointer)



The USP register is the user stack pointer.
 When the S flag is “1,” this register functions as the R15 register.
 The USP register can also be explicitly specified.
 The default value at reset is undefined.
 This register cannot be used with RETI instructions.

- Multiply & Divide registers



The multiply and divide registers are each 32 bits in length.
 The default value at reset is undefined.

MB91307 Series

■ SETTING MODE

In the FR family, the mode pins (MD2, MD1, MD0) and the mode register (MODR) are used to set the operating mode.

1. Mode Pins

The three pins MD2, MD1, MD0 are used in mode vector fetch instructions, and also to make settings in test mode.

Mode pin			Mode name	Reset vector access area	Remarks
MD2	MD1	MD0			
0	0	1	External ROM mode vector	Outside	Bus width is set by mode register.

2. Mode Register (MODR)

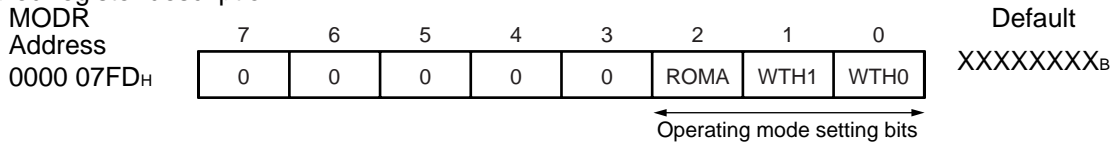
The mode data fetch instruction writes data to the address "0000 07FD_H" called the mode data.

The area "0000 07FD_H" is the mode register (MODR). When a setting is made to this register, the device will operate the mode corresponding to that setting.

The mode register can only be set by a reset source at the INIT level. It is not possible to write to this register from a user program.

Note : No data exists at the FR family mode register address (0000 07FF_H).

< Detailed register description >



[bit7 to bit3] Reserved bits

These bits should always be set to "00000." If set to any other value, stable operation is not assured.

[bit2] ROMA (Internal RAM enable bit)

This bit indicates whether internal RAM is enabled.

ROMA	Function	Remarks
0	External ROM mode	The built-in RAM area functions as external area.
1	Internal RAM mode	The built-in RAM area is enabled. The 128K bytes built-in RAM can be used.

[bit1, 0] WTH1, WTH0 (Bus width indicator bits)

In external bus mode, these bits determine the bus width setting.

In external bus mode, the value of these bits sets the BW1, 0 bits in the AMD0 register (CS0 area).

WTH1	WTH0	Bus width
0	0	8-bit
0	1	16-bit
1	0	Setting prohibited
1	1	Setting prohibited

www.DataSheet4U.com

■ MEMORY SPACE

1. Memory Space

The FR family has 4G bytes (2^{32} addresses) of logical address space with linear access from the CPU.

•Direct Addressing Areas

The following areas of address space are used for I/O operations.

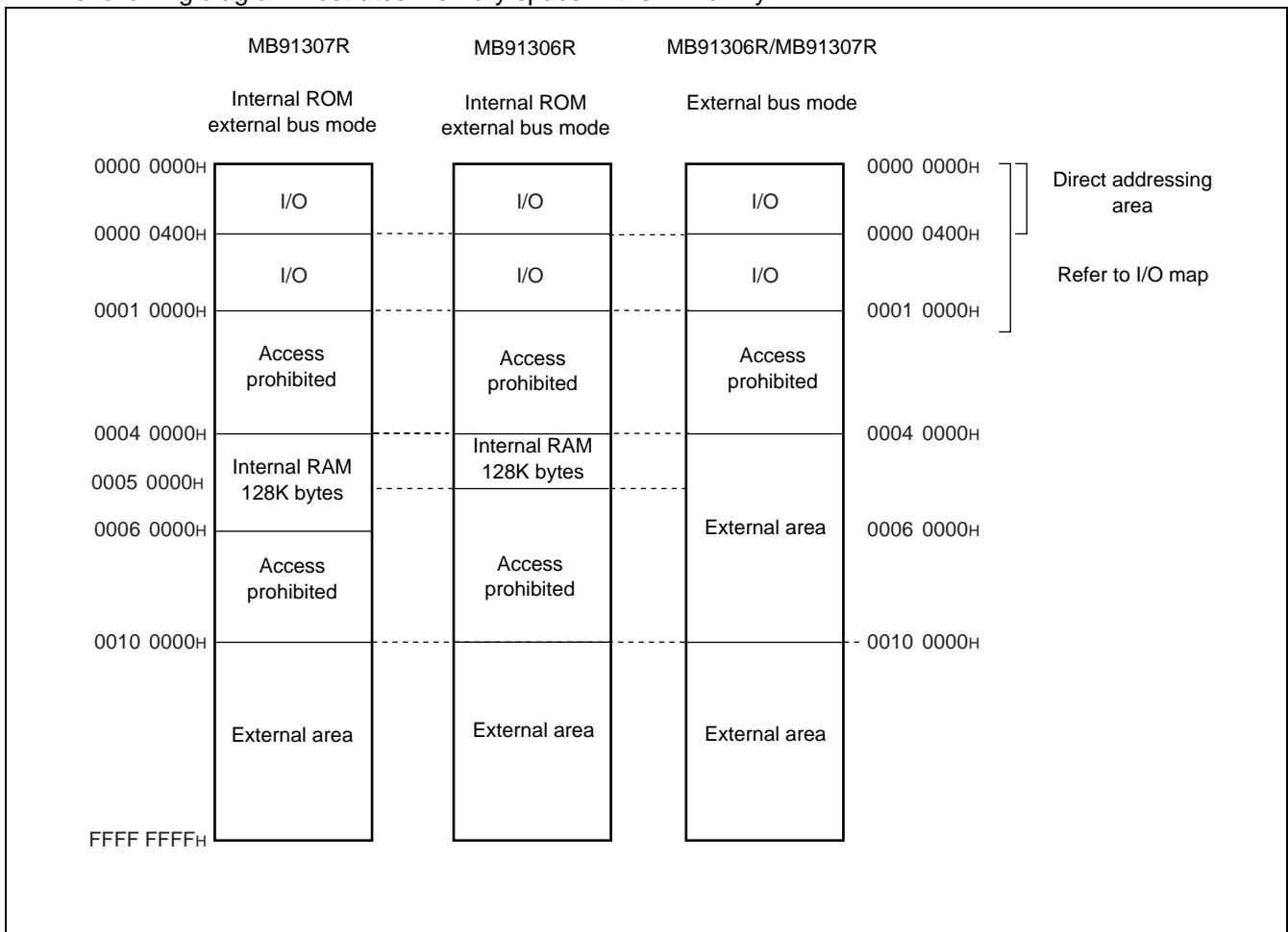
These areas are called direct addressing areas, in which the address of an operand can be specified directly during an instruction.

The direct areas differ according to the size of the data accessed, as follows.

- byte data access : 000H to 0FFH
- half word data access : 000H to 1FFH
- word data access : 000H to 3FFH

2. Memory Map

The following diagram illustrates memory space in the FR family.



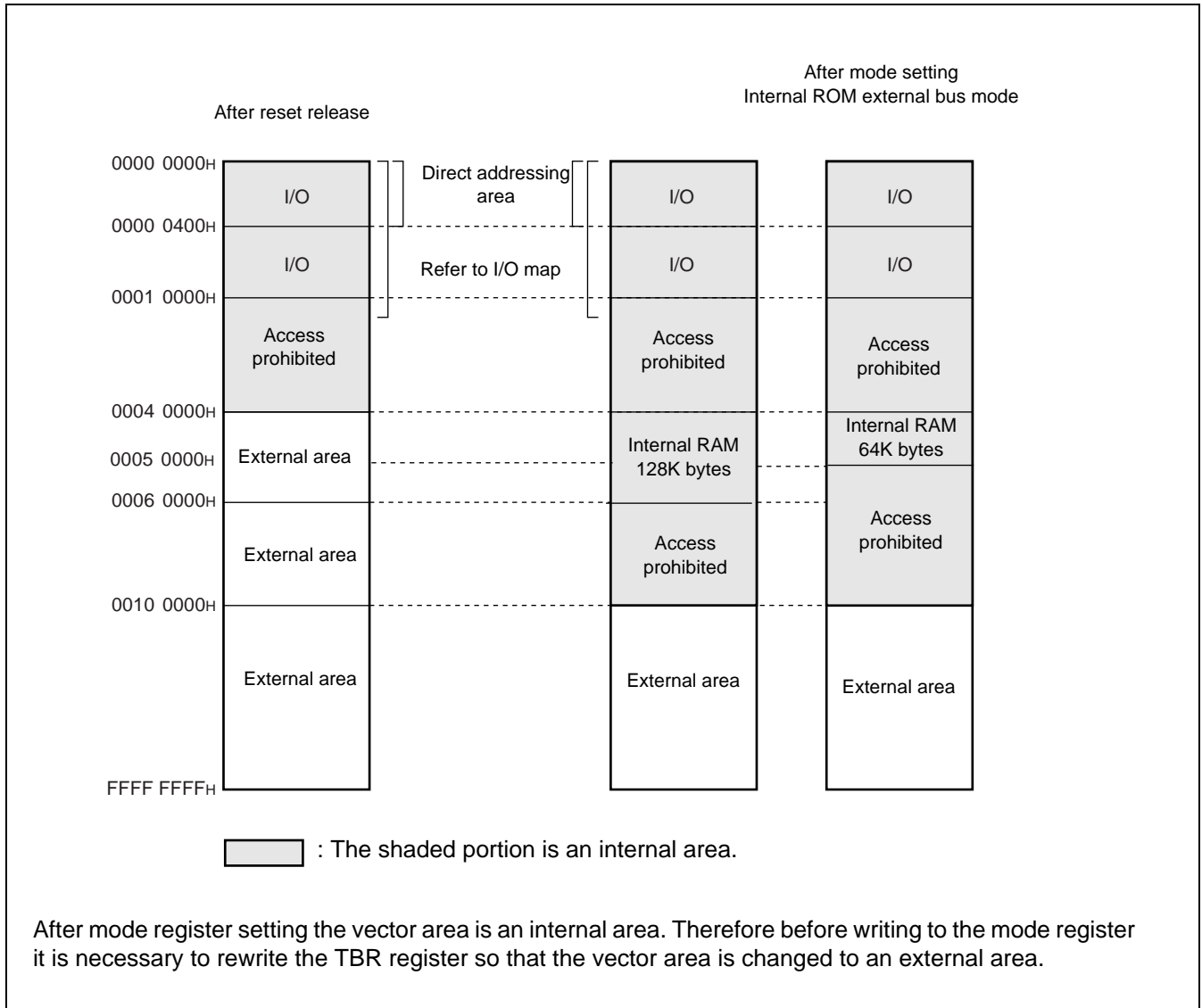
MB91307 Series

•Use of Built-in RAM

The MB91307R contains 128K bytes of internal RAM, and MB91306R contains 64K bytes of internal RAM. To enable use of this RAM, the mode register must be set to internal ROM external bus mode (ROMA=1).

Precautions for use of this model

- The reset vector is fixed at 000F FFFCH.
- For the MB91307R, the 128K bytes RAM area is from 0004 0000H to 0005 FFFFH and for the MB91306R, the 64K bytes RAM area is from 0004 0000H to 0004 FFFFH. The area from 0006 0000H to 000F FFFFH is access prohibited.
- In order to use RAM the mode register must be set to internal ROM external bus mode.
- In internal ROM external bus mode the built-in RAM area can be used, but the vector area 000F FFXXH is an internal area and cannot be accessed externally. Please refer to the following explanation.
- When placing instruction code in RAM, nothing should be placed in the last 8 bytes of the area 0005 FFF8H to 0005 FFFFH. (This is an instruction code prohibited area.)

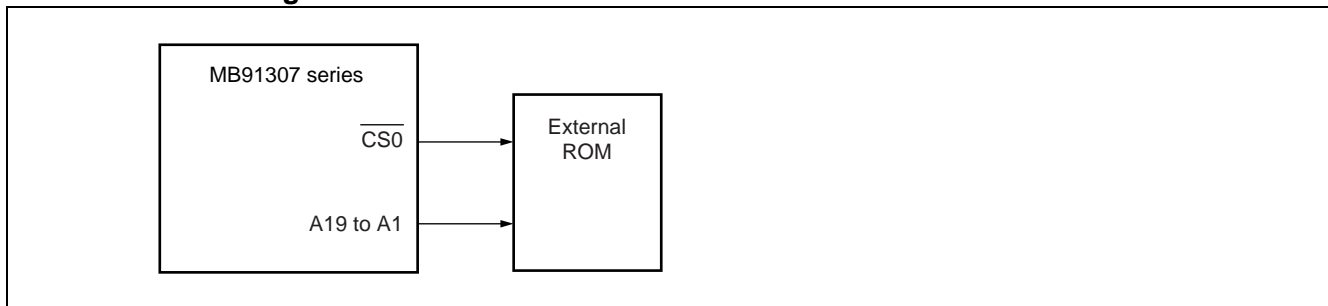


■ USER PROGRAM INITIALIZATION

The following sequence describes an example using built-in RAM.

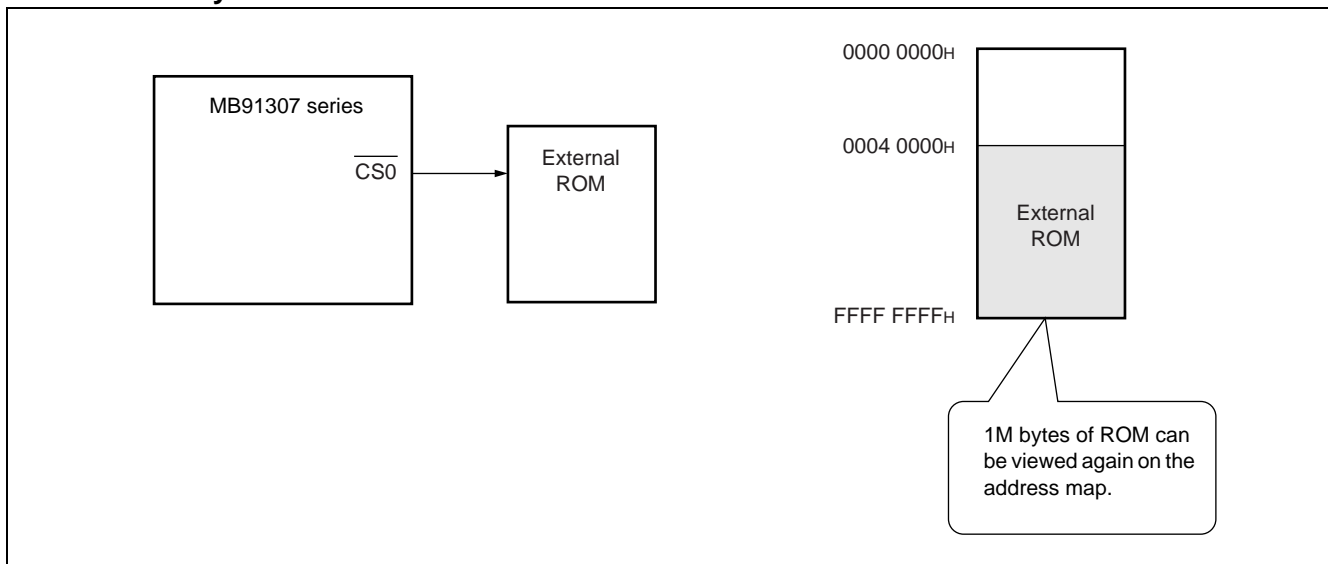
For the MB91306R, only the internal RAM area is different but the setting is same.

1. Hardware Setting Conditions



- 1) Assume that 1M bytes of external ROM is placed beginning at 0010 0000_H. Place the program at this location in the linker. (The following description can apply to other addresses than this one as well.)
- 2) Connect addresses A19 to A1 (1M bytes) to ROM, other addresses will use $\overline{CS0}$.
- 3) Set the mode pins (MD2, MD1, MD0) to external vectors.
- 4) Write the reset vector to 001F FFFC_H. Likewise write the mode vector to 001F FFF8_H.

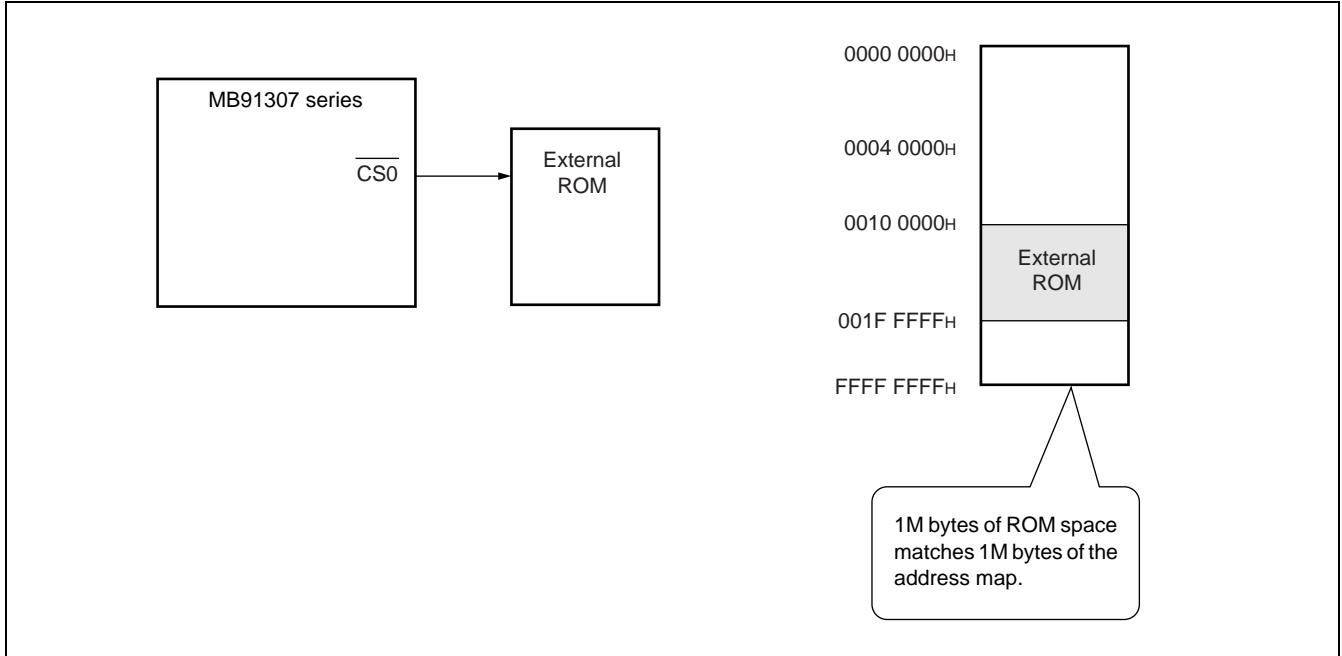
2. Immediately After Reset Release



- 1) After reset release, the CPU will attempt to load a mode vector from 000F FFF8_H, a reset vector from 000F FFFC_H, however because this will be an external vector, the CPU will have to go externally. However the $\overline{CS0}$ default value causes 1M bytes of external ROM to be repeated in external space, so that the mode vector and the reset vector itself will load the contents written at 001F FFF8_H and 001F FFFC_H in external ROM.
- 2) The branch destination is set in the linker to an address in the area 001X XXXX_H, so that subsequent program execution will be in this area.

MB91307 Series

3. User Program Initialization Steps



- 1) Set the TBR register so that the interrupt table is 001F FFXX_H, then perform initialization. This process also includes a chip select setting, and at the same time the $\overline{CS0}$ address is set to be valid at 001X XXXX_H. The $\overline{CS0}$ decoding result is the same before and after the setting, so that the CPU can continue to run programs on external ROM.
- 2) If necessary, initialize the contents of RAM.
- 3) Now initialization is complete, and the application program can be executed.

■ I/O MAP

This map shows the correlation between areas of memory space and individual registers in peripheral resources.

[How to read the map]

Address	Register				Block
	+0	+1	+2	+3	
000000 _H	PDR0 [R/W] XXXXXXXX	PDR1 [R/W] XXXXXXXX	PDR2 [R/W] XXXXXXXX	PDR3 [R/W] XXXXXXXX	T-unit Port Data Register

Read/write attributes

Register default value after reset

Register name
(1-column registers at address 4n, 2-column registers at address 4n + 2...)

Left most register address
(for word access, the first column of the register contains the MSB end of the data)

Note: Default register bit values are indicated as follows:

- "1" : Default value "1"
- "0" : Default value "0"
- "X" : Default value "X"
- "-" : No physical register at this location

MB91307 Series

Address	Register				Block
	+0	+1	+2	+3	
000000H	—	—	PDR2 [R/W] XXXXXXXX	—	T-unit Port Data Register
000004H	—	—	PDR6 [R/W] XXXXXXXX	PDR7 [R/W] -----X	
000008H	PDR8 [R/W] --X--XXX	PDR9 [R/W] XXXXXXXX-	PDRA [R/W] XXXXXXXX	PDRB [R/W] XXXXXXXX	
00000CH	—				
000010H	PDRG [R/W] ----XXX	PDRH [R/W] XXX00XXX	PDRI [R/W] ---XXXX	PDRJ [R/W] XXXXXXXX	R-bus Port Data Register
000018H to 00001CH	—				
000020H to 00003CH	—				Reserved
000040H	EIRR [R/W] 00000000	ENIR [R/W] 00000000	ELVR [R/W] 00000000		Ext int
000044H	DICR [R/W] -----0	HRCL [R/W] 0--11111	—		DLYI/I-unit
000048H	TMRLR [W] XXXXXXXX XXXXXXXX		TMR [R] XXXXXXXX XXXXXXXX		Reload Timer 0
00004CH	—		TMCSR [R/W] ----0000 00000000		
000050H	TMRLR [W] XXXXXXXX XXXXXXXX		TMR [R] XXXXXXXX XXXXXXXX		Reload Timer 1
000054H	—		TMCSR [R/W] ----0000 00000000		
000058H	TMRLR [W] XXXXXXXX XXXXXXXX		TMR [R] XXXXXXXX XXXXXXXX		Reload Timer 2
00005CH	—		TMCSR [R/W] ----0000 00000000		
000060H	SSR [R/W] 00001-00	SIDR [R/W] XXXXXXXX	SCR [R/W] 00000100	SMR [R/W] 00--0-0-	UART0
000064H	UTIM [R] 00000000	(UTIMR [W]) 00000000	DRCL [W] -----	UTIMC [R/W] 0--00001	U-TIMER 0
000068H	SSR [R/W] 00001-00	SIDR [R/W] XXXXXXXX	SCR [R/W] 00000100	SMR [R/W] 00--0-0-	UART1

(Continued) et4U.com

MB91307 Series

Address	Register				Block
	+0	+1	+2	+3	
00006C _H	UTIM [R] 00000000	(UTIMR [W]) 00000000	DRCL [W] -----	UTIMC [R/W] 0--00001	U-TIMER 1
000070 _H	SSR [R/W] 00001-00	SIDR [R/W] XXXXXXXX	SCR [R/W] 00000100	SMR [R/W] 00--0-0-	UART2
000074 _H	UTIM [R] 00000000	(UTIMR [W]) 00000000	DRCL [W] -----	UTIMC [R/W] 0--00001	U-TIMER 2
000078 _H	ADCR [R] -----XX XXXXXXXX		ADCS [R/W] 00000000 00000000		A/D Converter sequential comparator
00007C _H	—				Reserved
000080 _H	—				Reserved
000084 _H	—				Reserved
000088 _H	—				Reserved
00008C _H	—				Reserved
000090 _H	—				Reserved
000094 _H	IBCR [R/W] 00000000	IBSR [R/W] 00000000	ITBA [R/W] -----00 00000000		I ² C interface
000098 _H	ITMK [R/W] 00----11 11111111		ISMK [R/W] 01111111	ISBA [R/W] 00000000	
00009C _H	—	IDAR [R/W] 00000000	ICCR [R/W] 0-011111	IDBL [R/W] -----0	
0000A0 _H	—				Reserved
0000A4 _H	—				Reserved
0000A8 _H	—				Reserved
0000AC _H	—				Reserved
0000B0 _H	—				Reserved

(Continued)
www.DataSheet4U.com

MB91307 Series

Address	Register				Block	
	+0	+1	+2	+3		
000200 _H	DMACA0 [R/W] 00000000 0000XXXX XXXXXXXX XXXXXXXX				DMAC	
000204 _H	DMACB4 [R/W] 00000000 00000000 00000000 00000000					
000208 _H	DMACA1 [R/W] 00000000 0000XXXX XXXXXXXX XXXXXXXX					
00020C _H	DMACB4 [R/W] 00000000 00000000 00000000 00000000					
000210 _H	DMACA2 [R/W] 00000000 0000XXXX XXXXXXXX XXXXXXXX					
000214 _H	DMACB4 [R/W] 00000000 00000000 00000000 00000000					
000218 _H	DMACA3 [R/W] 00000000 0000XXXX XXXXXXXX XXXXXXXX					
00021C _H	DMACB4 [R/W] 00000000 00000000 00000000 00000000					
000220 _H	DMACA4 [R/W] 00000000 0000XXXX XXXXXXXX XXXXXXXX					
000224 _H	DMACB4 [R/W] 00000000 00000000 00000000 00000000					
000228 _H	—					
00022C _H to 00023C _H	—					Reserved
000240 _H	DMACR [R/W] 0XX00000 XXXXXXXX XXXXXXXX XXXXXXXX					DMAC
000244 _H to 000274 _H	—					Reserved
000278 _H	—				Reserved	
00027C _H	—				Reserved	
000280 _H to 0002FC _H	—				Reserved	

(Continued)

www.DataSheet4U.com

MB91307 Series

Address	Register				Block
	+0	+1	+2	+3	
000300H	—				Reserved
000304H	—		ISIZE [R/W] -----00		Instruction Cache
000308H to 0003E0H	—				Reserved
0003E4H	—		ICHRC [R/W] 0 - 000000		Instruction Cache
0003E8H to 0003ECH	—				Reserved
0003F0H	BSD0 [W] XXXXXXXX XXXXXXXX XXXXXXXX XXXXXXXX				Bit Search Module
0003F4H	BSD1 [R/W] XXXXXXXX XXXXXXXX XXXXXXXX XXXXXXXX				
0003F8H	BSDC [W] XXXXXXXX XXXXXXXX XXXXXXXX XXXXXXXX				
0003FCH	BSRR [R] XXXXXXXX XXXXXXXX XXXXXXXX XXXXXXXX				
000400H	DDRG [R/W] ----000	DDRH [R/W] 00011000	DDRI [R/W] --000000	DDRJ [R/W] 00000000	R-bus Port Direction Register
000404H	—				
000408H	—				
00040CH	—				
000410H	PFRG [R/W] ----0000	PFRH [R/W] 0000000-	PFRI [R/W] --00-00-	—	R-bus Port Function Register
000414H	—				
000418H	—				
00041CH	—				
000420H to 00043CH	—				Reserved

www.DataSheet4U.com
(Continued)

MB91307 Series

Address	Register				Block
	+0	+1	+2	+3	
000440 _H	ICR00 [R/W] ---11111	ICR01 [R/W] ---11111	ICR02 [R/W] ---11111	ICR03 [R/W] ---11111	Interrupt Control unit
000444 _H	ICR04 [R/W] ---11111	ICR05 [R/W] ---11111	ICR06 [R/W] ---11111	ICR07 [R/W] ---11111	
000448 _H	ICR08 [R/W] ---11111	ICR09 [R/W] ---11111	ICR10 [R/W] ---11111	ICR11 [R/W] ---11111	
00044C _H	ICR12 [R/W] ---11111	ICR13 [R/W] ---11111	ICR14 [R/W] ---11111	ICR15 [R/W] ---11111	
000450 _H	ICR16 [R/W] ---11111	ICR17 [R/W] ---11111	ICR18 [R/W] ---11111	ICR19 [R/W] ---11111	Interrupt Control unit
000454 _H	ICR20 [R/W] ---11111	ICR21 [R/W] ---11111	ICR22 [R/W] ---11111	ICR23 [R/W] ---11111	
000458 _H	ICR24 [R/W] ---11111	ICR25 [R/W] ---11111	ICR26 [R/W] ---11111	ICR27 [R/W] ---11111	
00045C _H	ICR28 [R/W] ---11111	ICR29 [R/W] ---11111	ICR30 [R/W] ---11111	ICR31 [R/W] ---11111	
000460 _H	ICR32 [R/W] ---11111	ICR33 [R/W] ---11111	ICR34 [R/W] ---11111	ICR35 [R/W] ---11111	
000464 _H	ICR36 [R/W] ---11111	ICR37 [R/W] ---11111	ICR38 [R/W] ---11111	ICR39 [R/W] ---11111	
000468 _H	ICR40 [R/W] ---11111	ICR41 [R/W] ---11111	ICR42 [R/W] ---11111	ICR43 [R/W] ---11111	
00046C _H	ICR44 [R/W] ---11111	ICR45 [R/W] ---11111	ICR46 [R/W] ---11111	ICR47 [R/W] ---11111	
000470 _H to 00047C _H	—				—
000480 _H	RSRR [R/W] 10000000 *2	STCR [R/W] 00110011 *2	TBCR [R/W] 00XXXX00 *1	CTBR [W] XXXXXXXX	Clock Control unit
000484 _H	CLKR [R/W] 00000000 *1	WPR [W] XXXXXXXX	DIVR0 [R/W] 00000011 *1	DIVR1 [R/W] 00000000 *1	
000488 _H to 0005FC _H	—				Reserved

*1: These registers have different default values at reset level. The value shown is the INIT level value.

*2: These registers have different default values at reset level. The value shown is the INIT level value from the $\overline{\text{INIT}}$ pin.

(Continued)
www.DataSheet4U.com

MB91307 Series

Address	Register				Block
	+0	+1	+2	+3	
000600 _H	—	—	DDR2 [R/W] 00000000	—	T-unit Port Direction Register
000604 _H	—	—	DDR6 [R/W] 00000000	DDR7 [R/W] 00000000	
000608 _H	DDR8 [R/W] --0--000	DDR9 [R/W] 00000000	DDRA [R/W] 00000000	DDRB [R/W] 00000000	
00060C _H	—				
000610 _H	—	—	—	—	T-unit Port Function Register
000614 _H	—	—	PFR6 [R/W] 11111111	PFR7 [R/W] -----1	
000618 _H	PFR8 [R/W] --1--0--	PFR9 [R/W] 1111111-	PFRA [R/W] 0-001101	PFRB1 [R/W] 00000000	
00061C _H	PFRB2 [R/W] 00-----	—			
000620 _H	—				
000624 _H	—				
000628 _H to 00063F _H	—				Reserved
000640 _H	ASR0 [R/W] 00000000 00000000		ACR0 [R/W] 1111XX00 00000000		T-unit
000644 _H	ASR1 [R/W] XXXXXXXX XXXXXXXX		ACR1 [R/W] XXXXXXXX XXXXXXXX		
000648 _H	ASR2 [R/W] XXXXXXXX XXXXXXXX		ACR2 [R/W] XXXXXXXX XXXXXXXX		
00064C _H	ASR3 [R/W] XXXXXXXX XXXXXXXX		ACR3 [R/W] XXXXXXXX XXXXXXXX		
000650 _H	ASR4 [R/W] XXXXXXXX XXXXXXXX		ACR4 [R/W] XXXXXXXX XXXXXXXX		
000654 _H	ASR5 [R/W] XXXXXXXX XXXXXXXX		ACR5 [R/W] XXXXXXXX XXXXXXXX		

(Continued)
www.DataSheet4U.com

MB91307 Series

Address	Register				Block
	+0	+1	+2	+3	
000658 _H	ASR6 [R/W] XXXXXXXX XXXXXXXX		ACR6 [R/W] XXXXXXXX XXXXXXXX		T-unit
00065C _H	ASR7 [R/W] XXXXXXXX XXXXXXXX		ACR7 [R/W] XXXXXXXX XXXXXXXX		
000660 _H	AWR0 [R/W] 01111111 11111111		AWR1 [R/W] XXXXXXXX XXXXXXXX		
000664 _H	AWR2 [R/W] XXXXXXXX XXXXXXXX		AWR3 [R/W] XXXXXXXX XXXXXXXX		
000668 _H	AWR4 [R/W] XXXXXXXX XXXXXXXX		AWR5 [R/W] XXXXXXXX XXXXXXXX		
00066C _H	AWR6 [R/W] XXXXXXXX XXXXXXXX		AWR7 [R/W] XXXXXXXX XXXXXXXX		
000670 _H	—				
000674 _H	—				
000678 _H	IOWR0 [R/W] XXXXXXXX	IOWR1 [R/W] XXXXXXXX	IOWR2 [R/W] XXXXXXXX	—	
00067C _H	—				
000680 _H	CSER [R/W] 00000001	CHER [R/W] 11111111	—	TCR [R/W] 00000000	
000684 _H	—				
000684 _H to 0007F8 _H	—				Reserved
0007FC _H	—				—
000800 _H to 000AFC _H	—				Reserved
000B00 _H	ESTS0 [R/W] X0000000	ESTS1 [R/W] XXXXXXXX	ESTS2 [R] 1XXXXXXXX	—	DSU
000B04 _H	ECTL0 [R/W] 0X000000	ECTL1 [R/W] 00000000	ECTL2 [W] 000X0000	ECTL3 [R/W] 00X00X11	

(Continued)
www.DataSheet4U.com

Address	Register				Block
	+0	+1	+2	+3	
000B08 _H	ECNT0 [W] XXXXXXXX	ECNT1 [W] XXXXXXXX	EUSA [W] XXX00000	EDTC [W] 0000XXXX	DSU
000B0C _H	EWPT [R] 00000000 00000000		—		
000B10 _H	EDTR0 [W] XXXXXXXX XXXXXXXX		EDTR1 [W] XXXXXXXX XXXXXXXX		
000B14 _H to 000B1C _H	—				
000B20 _H	EIA0 [W] XXXXXXXX XXXXXXXX XXXXXXXX XXXXXXXX				
000B24 _H	EIA1 [W] XXXXXXXX XXXXXXXX XXXXXXXX XXXXXXXX				
000B28 _H	EIA2 [W] XXXXXXXX XXXXXXXX XXXXXXXX XXXXXXXX				
000B2C _H	EIA3 [W] XXXXXXXX XXXXXXXX XXXXXXXX XXXXXXXX				
000B30 _H	EIA4 [W] XXXXXXXX XXXXXXXX XXXXXXXX XXXXXXXX				
000B34 _H	EIA5 [W] XXXXXXXX XXXXXXXX XXXXXXXX XXXXXXXX				
000B38 _H	EIA6 [W] XXXXXXXX XXXXXXXX XXXXXXXX XXXXXXXX				
000B3C _H	EIA7 [W] XXXXXXXX XXXXXXXX XXXXXXXX XXXXXXXX				
000B40 _H	EDTA [R/W] XXXXXXXX XXXXXXXX XXXXXXXX XXXXXXXX				
000B44 _H	EDTM [R/W] XXXXXXXX XXXXXXXX XXXXXXXX XXXXXXXX				
000B48 _H	EOA0 [W] XXXXXXXX XXXXXXXX XXXXXXXX XXXXXXXX				
000B4C _H	EOA1 [W] XXXXXXXX XXXXXXXX XXXXXXXX XXXXXXXX				
000B50 _H	EPCR [R/W] XXXXXXXX XXXXXXXX XXXXXXXX XXXXXXXX				

www.datasheet4U.com
(Continued)

MB91307 Series

(Continued)

Address	Register				Block
	+0	+1	+2	+3	
000B54H	EPSR [R/W] XXXXXXXX XXXXXXXX XXXXXXXX XXXXXXXX				DSU
000B58H	EIAM0 [W] XXXXXXXX XXXXXXXX XXXXXXXX XXXXXXXX				
000B5CH	EIAM1 [W] XXXXXXXX XXXXXXXX XXXXXXXX XXXXXXXX				
000B60H	EOAM0/EODM0 [W] XXXXXXXX XXXXXXXX XXXXXXXX XXXXXXXX				
000B64H	EOAM1/EODM1 [W] XXXXXXXX XXXXXXXX XXXXXXXX XXXXXXXX				
000B68H	EOD0 [W] XXXXXXXX XXXXXXXX XXXXXXXX XXXXXXXX				
000B6CH	EOD1 [W] XXXXXXXX XXXXXXXX XXXXXXXX XXXXXXXX				
000B70H to 000FFCH	—				Reserved
001000H	DMASA0 [R/W] XXXXXXXX_XXXXXXXX_XXXXXXXX_XXXXXXXX				DMAC
001004H	DMADA0 [R/W] XXXXXXXX_XXXXXXXX_XXXXXXXX_XXXXXXXX				
001008H	DMASA1 [R/W] XXXXXXXX_XXXXXXXX_XXXXXXXX_XXXXXXXX				
00100CH	DMADA1 [R/W] XXXXXXXX_XXXXXXXX_XXXXXXXX_XXXXXXXX				
001010H	DMASA2 [R/W] XXXXXXXX_XXXXXXXX_XXXXXXXX_XXXXXXXX				
001014H	DMADA2 [R/W] XXXXXXXX_XXXXXXXX_XXXXXXXX_XXXXXXXX				
001018H	DMASA3 [R/W] XXXXXXXX_XXXXXXXX_XXXXXXXX_XXXXXXXX				
00101CH	DMADA3 [R/W] XXXXXXXX_XXXXXXXX_XXXXXXXX_XXXXXXXX				
001020H	DMASA4 [R/W] XXXXXXXX_XXXXXXXX_XXXXXXXX_XXXXXXXX				
001024H	DMADA4 [R/W] XXXXXXXX_XXXXXXXX_XXXXXXXX_XXXXXXXX				

■ INTERRUPT SOURCES AND INTERRUPT VECTORS

Interrupt source	Interrupt number		Interrupt level	Offset	TBR default address
	Decimal	Hex			
Reset	0	00	—	3FC _H	000FFFFC _H
Mode vector	1	01	—	3F8 _H	000FFFF8 _H
System reserved	2	02	—	3F4 _H	000FFFF4 _H
System reserved	3	03	—	3F0 _H	000FFFF0 _H
System reserved	4	04	—	3EC _H	000FFFE _C
System reserved	5	05	—	3E8 _H	000FFFE8 _H
System reserved	6	06	—	3E4 _H	000FFFE4 _H
Coprocessor absent trap	7	07	—	3E0 _H	000FFFE0 _H
Coprocessor error trap	8	08	—	3DC _H	000FFFD _C
INTE instruction	9	09	—	3D8 _H	000FFFD8 _H
Instruction break exception	10	0A	—	3D4 _H	000FFFD4 _H
Operand break trap	11	0B	—	3D0 _H	000FFFD0 _H
Step trace trap	12	0C	—	3CC _H	000FFFC _C
NMI request (tool)	13	0D	—	3C8 _H	000FFFC8 _H
Undefined instruction exception	14	0E	—	3C4 _H	000FFFC4 _H
NMI requ	15	0F	15 (F _H)	3C0 _H	000FFFC0 _H
External interrupt 0	16	10	ICR00	3BC _H	000FFFB _C
External interrupt 1	17	11	ICR01	3B8 _H	000FFFB8 _H
External interrupt 2	18	12	ICR02	3B4 _H	000FFFB4 _H
External interrupt 3	19	13	ICR03	3B0 _H	000FFFB0 _H
External interrupt 4	20	14	ICR04	3AC _H	000FFFA _C
External interrupt 5	21	15	ICR05	3A8 _H	000FFFA8 _H
External interrupt 6	22	16	ICR06	3A4 _H	000FFFA4 _H
External interrupt 7	23	17	ICR07	3A0 _H	000FFFA0 _H
Reload timer 0	24	18	ICR08	39C _H	000FFF9 _C
Reload timer 1	25	19	ICR09	398 _H	000FFF98 _H
Reload timer 2	26	1A	ICR10	394 _H	000FFF94 _H
UART0(RX completed)	27	1B	ICR11	390 _H	000FFF90 _H
UART1(RX completed)	28	1C	ICR12	38C _H	000FFF8 _C
UART2(RX completed)	29	1D	ICR13	388 _H	000FFF88 _H
UART0(TX completed)	30	1E	ICR14	384 _H	000FFF84 _H
UART1(TX completed)	31	1F	ICR15	380 _H	000FFF80 _H
UART2(TX completed)	32	20	ICR16	37C _H	000FFF7 _C
DMAC0(end, error)	33	21	ICR17	378 _H	000FFF78 _H

www.DataSheet4U.com
(Continued)

MB91307 Series

Interrupt source	Interrupt number		Interrupt level	Offset	TBR default address
	Decimal	Hex			
DMAC1(end, error)	34	22	ICR18	374 _H	000FFF74 _H
DMAC2(end, error)	35	23	ICR19	370 _H	000FFF70 _H
DMAC3(end, error)	36	24	ICR20	36C _H	000FFF6C _H
DMAC4(end, error)	37	25	ICR21	368 _H	000FFF68 _H
A/D	38	26	ICR22	364 _H	000FFF64 _H
I ² C	39	27	ICR23	360 _H	000FFF60 _H
System reserved	40	28	ICR24	35C _H	000FFF5C _H
System reserved	41	29	ICR25	358 _H	000FFF58 _H
System reserved	42	2A	ICR26	354 _H	000FFF54 _H
System reserved	43	2B	ICR27	350 _H	000FFF50 _H
U-TIMER0	44	2C	ICR28	34C _H	000FFF4C _H
U-TIMER1	45	2D	ICR29	348 _H	000FFF48 _H
U-TIMER2	46	2E	ICR30	344 _H	000FFF44 _H
Time base timer overflow	47	2F	ICR31	340 _H	000FFF40 _H
System reserved	48	30	ICR32	33C _H	000FFF3C _H
System reserved	49	31	ICR33	338 _H	000FFF38 _H
System reserved	50	32	ICR34	334 _H	000FFF34 _H
System reserved	51	33	ICR35	330 _H	000FFF30 _H
System reserved	52	34	ICR36	32C _H	000FFF2C _H
System reserved	53	35	ICR37	328 _H	000FFF28 _H
System reserved	54	36	ICR38	324 _H	000FFF24 _H
System reserved	55	37	ICR39	320 _H	000FFF20 _H
System reserved	56	38	ICR40	31C _H	000FFF1C _H
System reserved	57	39	ICR41	318 _H	000FFF18 _H
System reserved	58	3A	ICR42	314 _H	000FFF14 _H
System reserved	59	3B	ICR43	310 _H	000FFF10 _H
System reserved	60	3C	ICR44	30C _H	000FFF0C _H
System reserved	61	3D	ICR45	308 _H	000FFF08 _H
System reserved	62	3E	ICR46	304 _H	000FFF04 _H
Delay interrupt source bit	63	3F	ICR47	300 _H	000FFF00 _H
System reserved (REALOS use)	64	40	—	2FC _H	000FFEFC _H
System reserved (REALOS use)	65	41	—	2F8 _H	000FFE8 _H
System reserved	66	42	—	2F4 _H	000FFE4 _H
System reserved	67	43	—	2F0 _H	000FEF0 _H
System reserved	68	44	—	2EC _H	000FEEC _H

DataSheet4U.com
(Continued)

(Continued)

Interrupt source	Interrupt number		Interrupt level	Offset	TBR default address
	Decimal	Hex			
System reserved	69	45	—	2E8 _H	000FFEE8 _H
System reserved	70	46	—	2E4 _H	000FFEE4 _H
System reserved	71	47	—	2E0 _H	000FFEE0 _H
System reserved	72	48	—	2DC _H	000FFEDC _H
System reserved	73	49	—	2D8 _H	000FFED8 _H
System reserved	74	4A	—	2D4 _H	000FFED4 _H
System reserved	75	4B	—	2D0 _H	000FFED0 _H
System reserved	76	4C	—	2CC _H	000FFEC _H
System reserved	77	4D	—	2C8 _H	000FFEC8 _H
System reserved	78	4E	—	2C4 _H	000FFEC4 _H
System reserved	79	4F	—	2C0 _H	000FFEC0 _H
Used by INT instructions	80 to 255	50 to FF	—	2BC _H to 000 _H	000FFEBC _H to 000FFC00 _H

■ PERIPHERAL RESOURCES

1. Interrupt Controller

(1) Overview

The interrupt controller receives and processes arbitration of interrupts.

•Hardware Configuration

This module is configured from the following elements.

- ICR register
- Interrupt priority determination circuit
- Interrupt level and interrupt number (vector) generator
- Hold request removal request generator

•Principal Functions

This module primarily provides the following functions.

- NMI request / interrupt request detection
- Order of priority determination (according to level and number)
- Notification (to CPU) of interrupt level of source according to determination
- Notification (to CPU) of interrupt number of source according to determination
- Instruction (to CPU) to recover from stop mode when an interrupt other than NMI/interrupt level "11111" is generated
- Generation of hold request removal requests to the bus master

(2) Register List

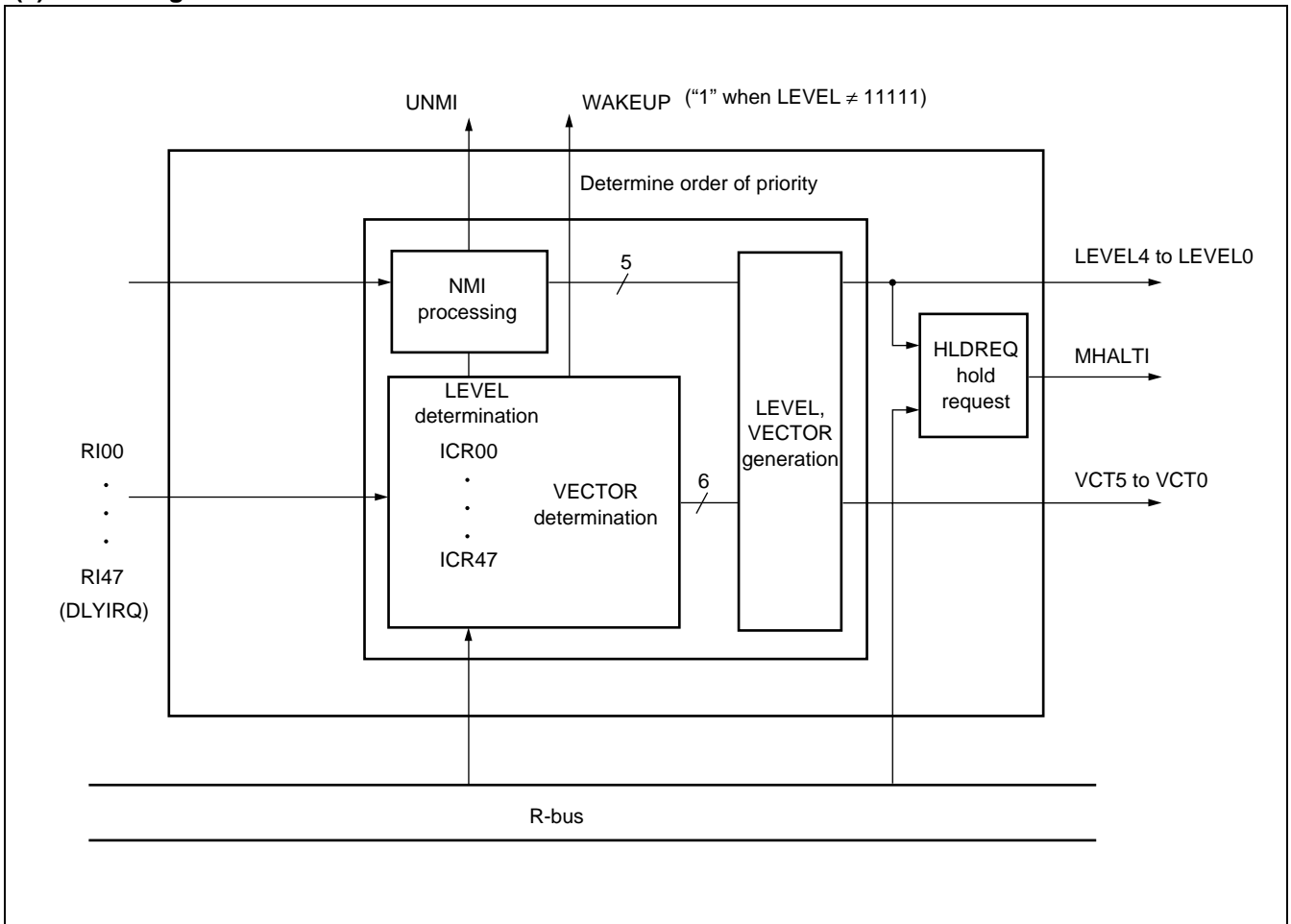
	bit 7	6	5	4	3	2	1	0	
Address: 00000440H	—	—	—	ICR4	ICR3	ICR2	ICR1	ICR0	ICR00
Address: 00000441H	—	—	—	ICR4	ICR3	ICR2	ICR1	ICR0	ICR01
Address: 00000442H	—	—	—	ICR4	ICR3	ICR2	ICR1	ICR0	ICR02
Address: 00000443H	—	—	—	ICR4	ICR3	ICR2	ICR1	ICR0	ICR03
Address: 00000444H	—	—	—	ICR4	ICR3	ICR2	ICR1	ICR0	ICR04
Address: 00000445H	—	—	—	ICR4	ICR3	ICR2	ICR1	ICR0	ICR05
Address: 00000446H	—	—	—	ICR4	ICR3	ICR2	ICR1	ICR0	ICR06
Address: 00000447H	—	—	—	ICR4	ICR3	ICR2	ICR1	ICR0	ICR07
Address: 00000448H	—	—	—	ICR4	ICR3	ICR2	ICR1	ICR0	ICR08
Address: 00000449H	—	—	—	ICR4	ICR3	ICR2	ICR1	ICR0	ICR09
Address: 0000044AH	—	—	—	ICR4	ICR3	ICR2	ICR1	ICR0	ICR10
Address: 0000044BH	—	—	—	ICR4	ICR3	ICR2	ICR1	ICR0	ICR11
Address: 0000044CH	—	—	—	ICR4	ICR3	ICR2	ICR1	ICR0	ICR12
Address: 0000044DH	—	—	—	ICR4	ICR3	ICR2	ICR1	ICR0	ICR13
Address: 0000044EH	—	—	—	ICR4	ICR3	ICR2	ICR1	ICR0	ICR14
Address: 0000044FH	—	—	—	ICR4	ICR3	ICR2	ICR1	ICR0	ICR15
Address: 00000450H	—	—	—	ICR4	ICR3	ICR2	ICR1	ICR0	ICR16
Address: 00000451H	—	—	—	ICR4	ICR3	ICR2	ICR1	ICR0	ICR17
Address: 00000452H	—	—	—	ICR4	ICR3	ICR2	ICR1	ICR0	ICR18
Address: 00000453H	—	—	—	ICR4	ICR3	ICR2	ICR1	ICR0	ICR19
Address: 00000454H	—	—	—	ICR4	ICR3	ICR2	ICR1	ICR0	ICR20
Address: 00000455H	—	—	—	ICR4	ICR3	ICR2	ICR1	ICR0	ICR21
Address: 00000456H	—	—	—	ICR4	ICR3	ICR2	ICR1	ICR0	ICR22
Address: 00000457H	—	—	—	ICR4	ICR3	ICR2	ICR1	ICR0	ICR23
Address: 00000458H	—	—	—	ICR4	ICR3	ICR2	ICR1	ICR0	ICR24
Address: 00000459H	—	—	—	ICR4	ICR3	ICR2	ICR1	ICR0	ICR25
Address: 0000045AH	—	—	—	ICR4	ICR3	ICR2	ICR1	ICR0	ICR26
Address: 0000045BH	—	—	—	ICR4	ICR3	ICR2	ICR1	ICR0	ICR27
Address: 0000045CH	—	—	—	ICR4	ICR3	ICR2	ICR1	ICR0	ICR28
Address: 0000045DH	—	—	—	ICR4	ICR3	ICR2	ICR1	ICR0	ICR29
Address: 0000045EH	—	—	—	ICR4	ICR3	ICR2	ICR1	ICR0	ICR30
Address: 0000045FH	—	—	—	ICR4	ICR3	ICR2	ICR1	ICR0	ICR31
				R	R/W	R/W	R/W	R/W	

MB91307 Series

(Continued)

	bit 7	6	5	4	3	2	1	0	
Address: 00000460H	—	—	—	ICR4	ICR3	ICR2	ICR1	ICR0	ICR32
Address: 00000461H	—	—	—	ICR4	ICR3	ICR2	ICR1	ICR0	ICR33
Address: 00000462H	—	—	—	ICR4	ICR3	ICR2	ICR1	ICR0	ICR34
Address: 00000463H	—	—	—	ICR4	ICR3	ICR2	ICR1	ICR0	ICR35
Address: 00000464H	—	—	—	ICR4	ICR3	ICR2	ICR1	ICR0	ICR36
Address: 00000465H	—	—	—	ICR4	ICR3	ICR2	ICR1	ICR0	ICR37
Address: 00000466H	—	—	—	ICR4	ICR3	ICR2	ICR1	ICR0	ICR38
Address: 00000467H	—	—	—	ICR4	ICR3	ICR2	ICR1	ICR0	ICR39
Address: 00000468H	—	—	—	ICR4	ICR3	ICR2	ICR1	ICR0	ICR40
Address: 00000469H	—	—	—	ICR4	ICR3	ICR2	ICR1	ICR0	ICR41
Address: 0000046AH	—	—	—	ICR4	ICR3	ICR2	ICR1	ICR0	ICR42
Address: 0000046BH	—	—	—	ICR4	ICR3	ICR2	ICR1	ICR0	ICR43
Address: 0000046CH	—	—	—	ICR4	ICR3	ICR2	ICR1	ICR0	ICR44
Address: 0000046DH	—	—	—	ICR4	ICR3	ICR2	ICR1	ICR0	ICR45
Address: 0000046EH	—	—	—	ICR4	ICR3	ICR2	ICR1	ICR0	ICR46
Address: 0000046FH	—	—	—	ICR4	ICR3	ICR2	ICR1	ICR0	ICR47
				R	R/W	R/W	R/W	R/W	
Address: 00000045H	MHALTI	—	—	LVL4	LVL3	LVL2	LVL1	LVL0	HRCL
	R/W			R	R/W	R/W	R/W	R/W	

(3) Block Diagram



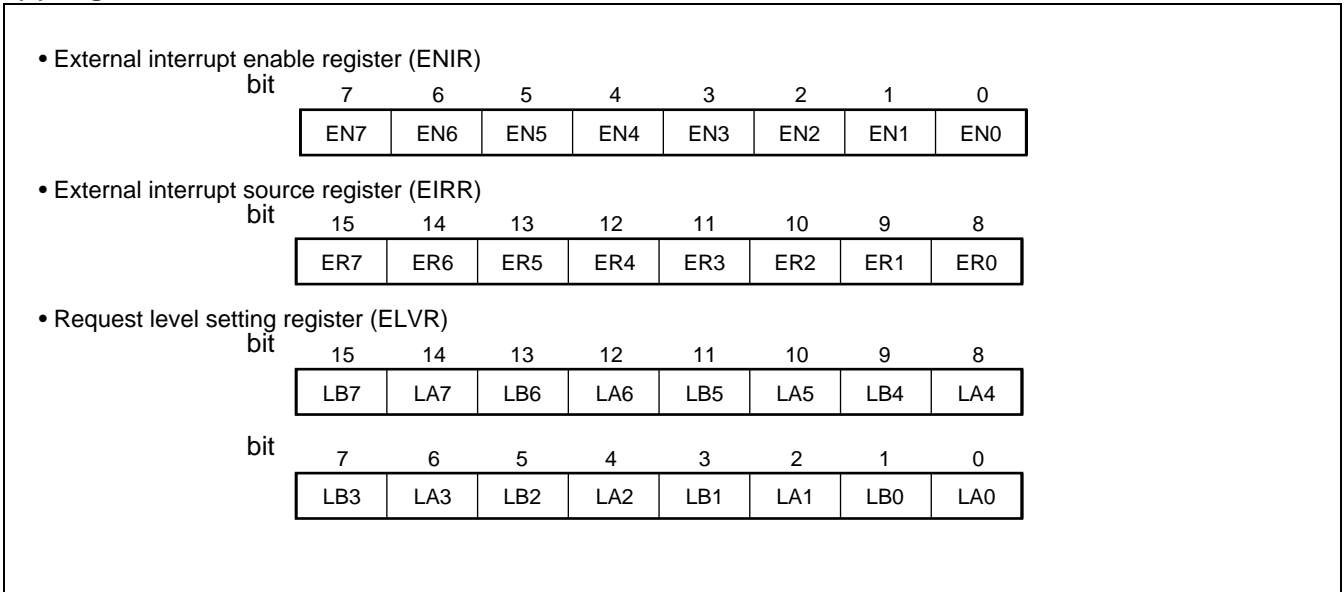
MB91307 Series

2. External Interrupt - NMI Control Block

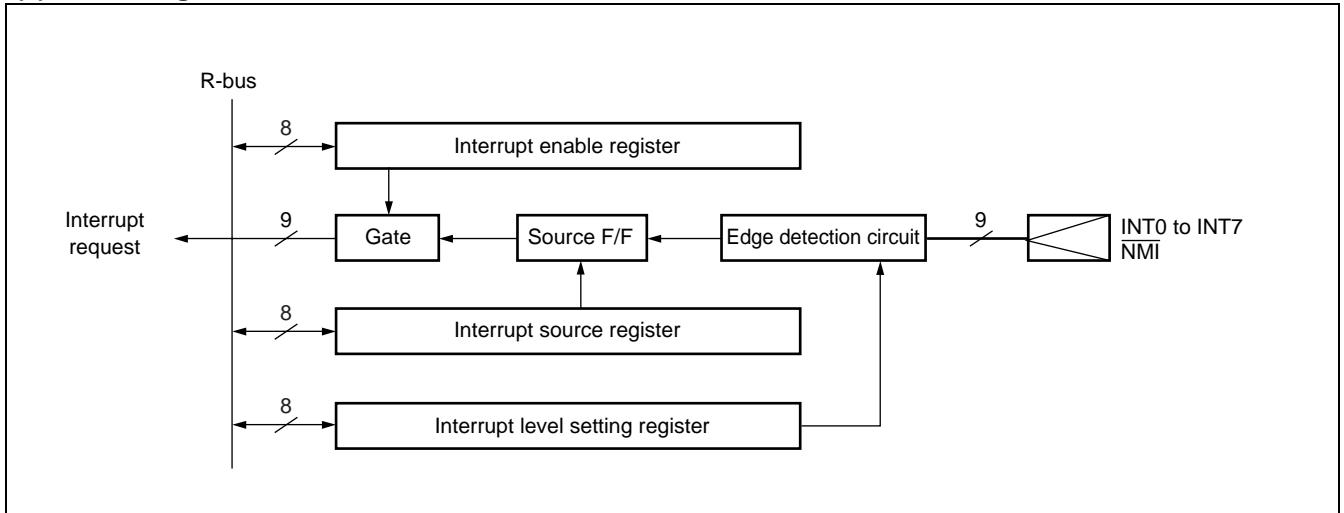
(1) Overview

The External Interrupt-control block controls external interrupt requests input at the $\overline{\text{NMI}}$ and INT0 to INT7 pins. The request level can be selected from “H,” “L,” “rising edge,” or “falling edge” detection (except for NMI).

(2) Register List



(3) Block Diagram



3. REALOS Related Hardware

REALOS related hardware is used by the REALOS operating system. Therefore, when REALOS is in use, these resources cannot be used by user programs.

• Delay Interrupt Module

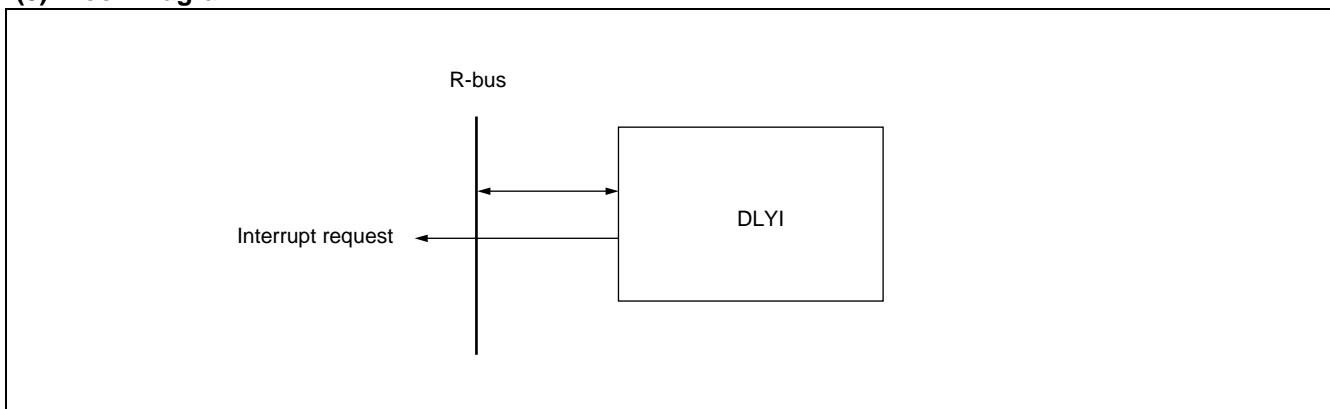
(1) Overview

The delay interrupt module is a module that generates interrupts for task switching. This module can be used with software instructions to generate and cancel interrupts to the CPU.

(2) Register List

	bit	7	6	5	4	3	2	1	0	
Address :	00000044H	—	—	—	—	—	—	—	DLYI	DICR
									[R/W]	

(3) Block Diagram



MB91307 Series

• Bit Search Module

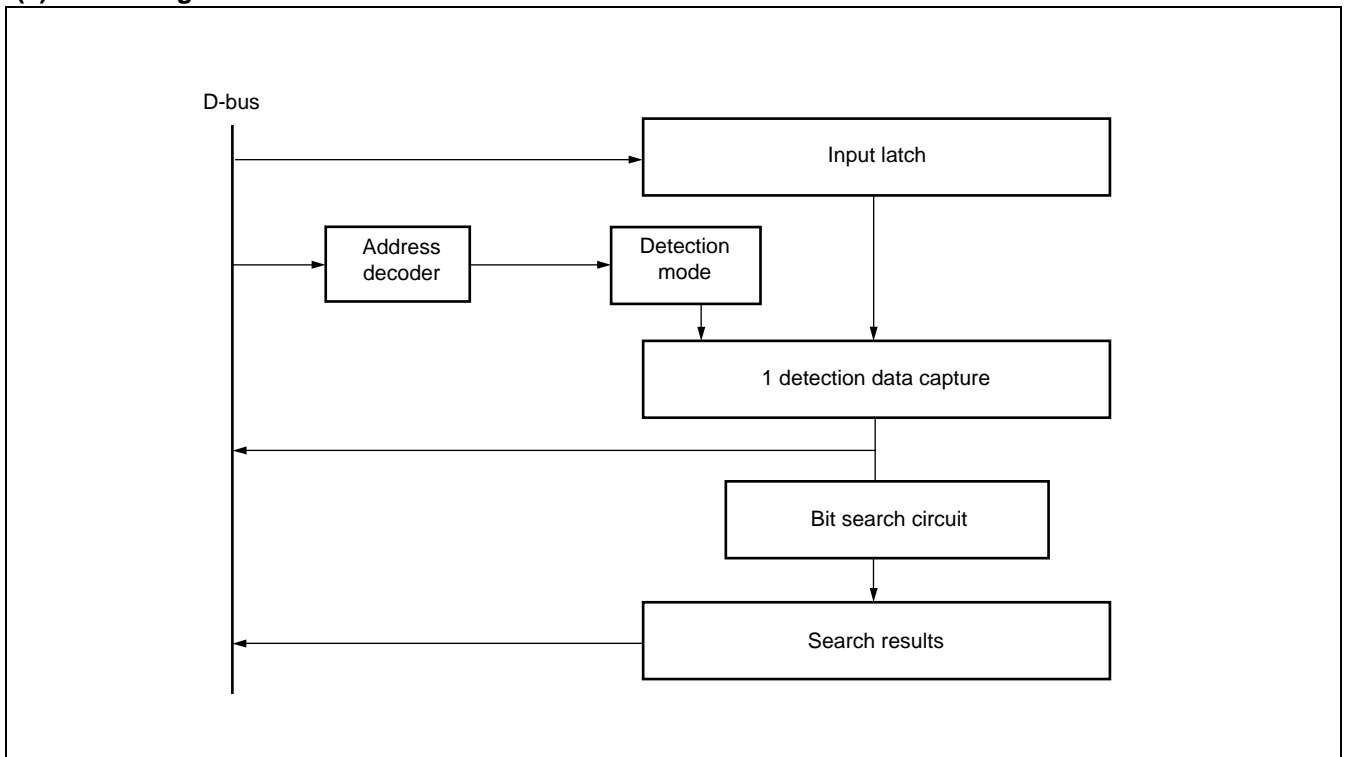
(1) Overview

Searches data written to input registers for “0” or “1” or change points, and outputs the value of the detected bits.

(2) Register List

Address :	000003F0H	31	0	BSD0	0 detection data register
Address :	000003F4H			BSD1	1 detection data register
Address :	000003F8H			BSDC	Change point detection register
Address :	000003FCH			BSRR	Detection results register

(3) Block Diagram



4. 16-bit Reload Timer

(1) Overview

The 16-bit timer is configured from a 16-bit down-counter, 16-bit reload register, prescaler for internal count clock generation, and a control register.

For the input clock signal, a selection of three internal clock signals (machine clock multiplied by 2, 8, or 32) or external clock is provided.

The output pin (TOUT) produces a toggle output waveform at every underflow in reload mode, and a square wave indicating counting in progress in one-shot mode.

The input pin (TIN) can be used for event input in external event count mode, and trigger input or gate input in internal clock mode.

The external event count function can be used in reload mode or as a frequency multiplier in external clock mode.

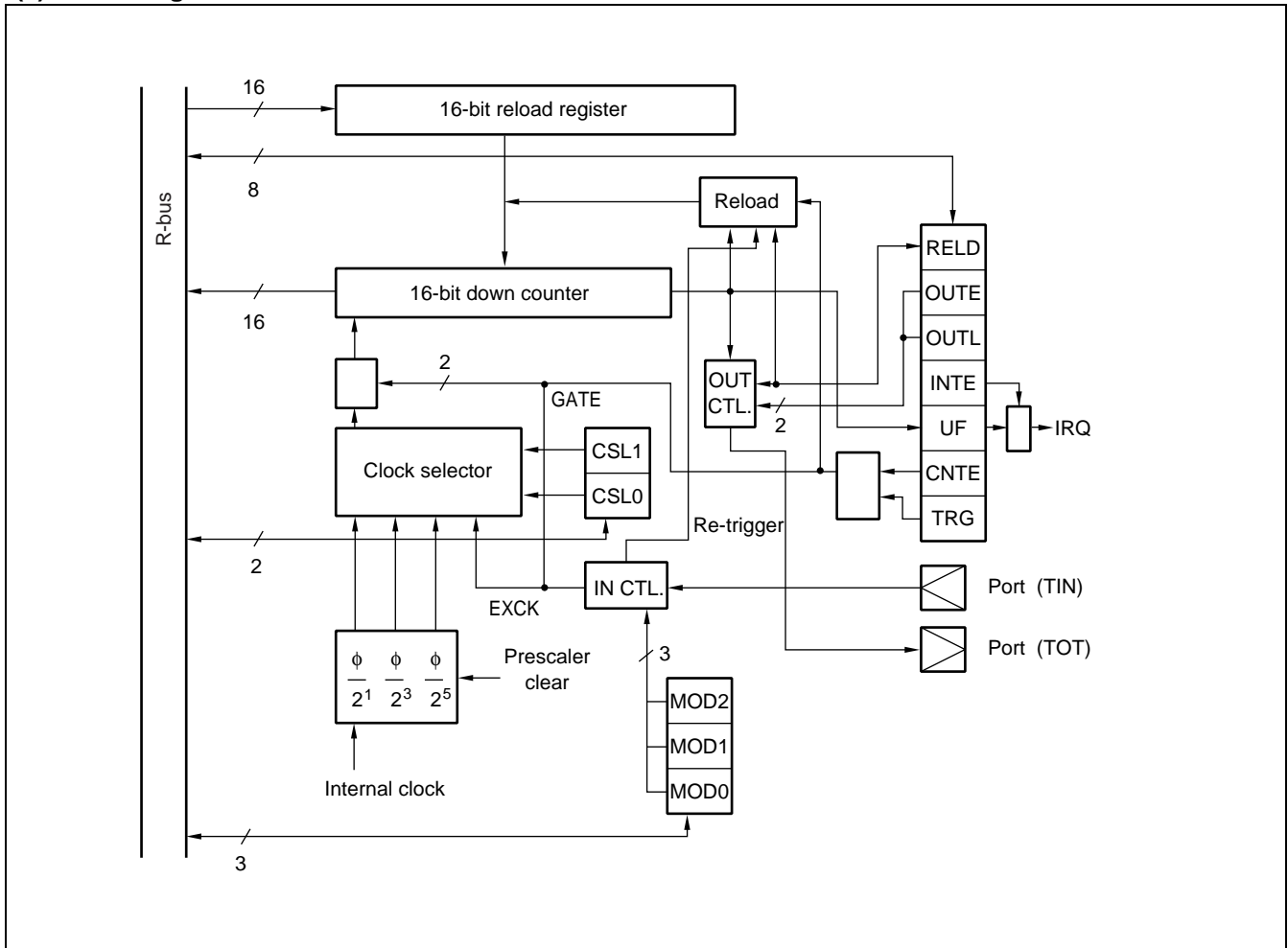
The MB91306R/MB91307R contain 3 channels (0 to 2) of this timer.

(2) Register List

• Control status register (TMCSR)																																	
	<table border="1"> <thead> <tr> <th>15</th> <th>14</th> <th>13</th> <th>12</th> <th>11</th> <th>10</th> <th>9</th> <th>8</th> </tr> </thead> <tbody> <tr> <td>—</td> <td>—</td> <td>—</td> <td>—</td> <td>CSL1</td> <td>CSL0</td> <td>MOD2</td> <td>MOD1</td> </tr> <tr> <th>7</th> <th>6</th> <th>5</th> <th>4</th> <th>3</th> <th>2</th> <th>1</th> <th>0</th> </tr> <tr> <td>MOD0</td> <td>—</td> <td>OUTL</td> <td>RELD</td> <td>INTE</td> <td>UF</td> <td>CNTE</td> <td>TRG</td> </tr> </tbody> </table>	15	14	13	12	11	10	9	8	—	—	—	—	CSL1	CSL0	MOD2	MOD1	7	6	5	4	3	2	1	0	MOD0	—	OUTL	RELD	INTE	UF	CNTE	TRG
15	14	13	12	11	10	9	8																										
—	—	—	—	CSL1	CSL0	MOD2	MOD1																										
7	6	5	4	3	2	1	0																										
MOD0	—	OUTL	RELD	INTE	UF	CNTE	TRG																										
• 16-bit timer register (TMR)																																	
	<table border="1"> <thead> <tr> <th>15</th> <th>0</th> </tr> </thead> <tbody> <tr> <td colspan="2" style="height: 20px;"></td> </tr> </tbody> </table>	15	0																														
15	0																																
• 16-bit reload register (TMRLR)																																	
	<table border="1"> <thead> <tr> <th>15</th> <th>0</th> </tr> </thead> <tbody> <tr> <td colspan="2" style="height: 20px;"></td> </tr> </tbody> </table>	15	0																														
15	0																																

MB91307 Series

(3) Block Diagram



5. U-TIMER (16 bit timer for UART baud rate generation)

(1) Overview

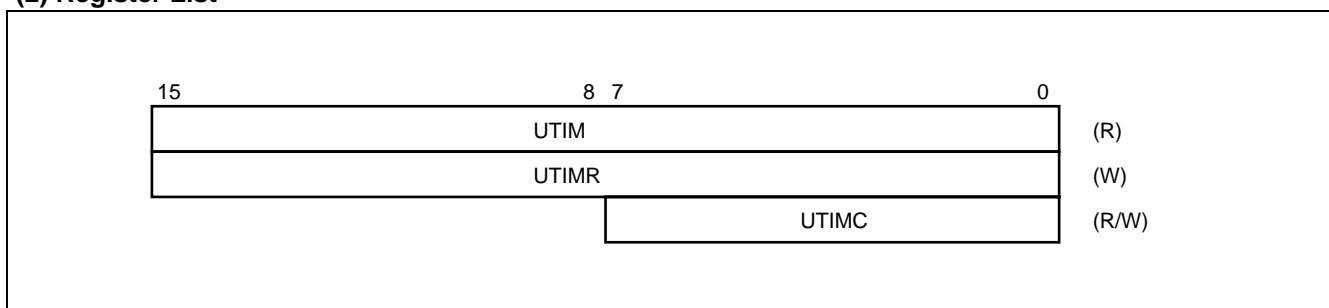
The U-TIMER is a 16-bit timer used to generate the baud rate for the UART. Any desired baud rate can be set using the combination of chip operating frequency and U-TIMER reload value.

The U-TIMER can also be used as an interval timer by generating an interrupt from a count underflow event.

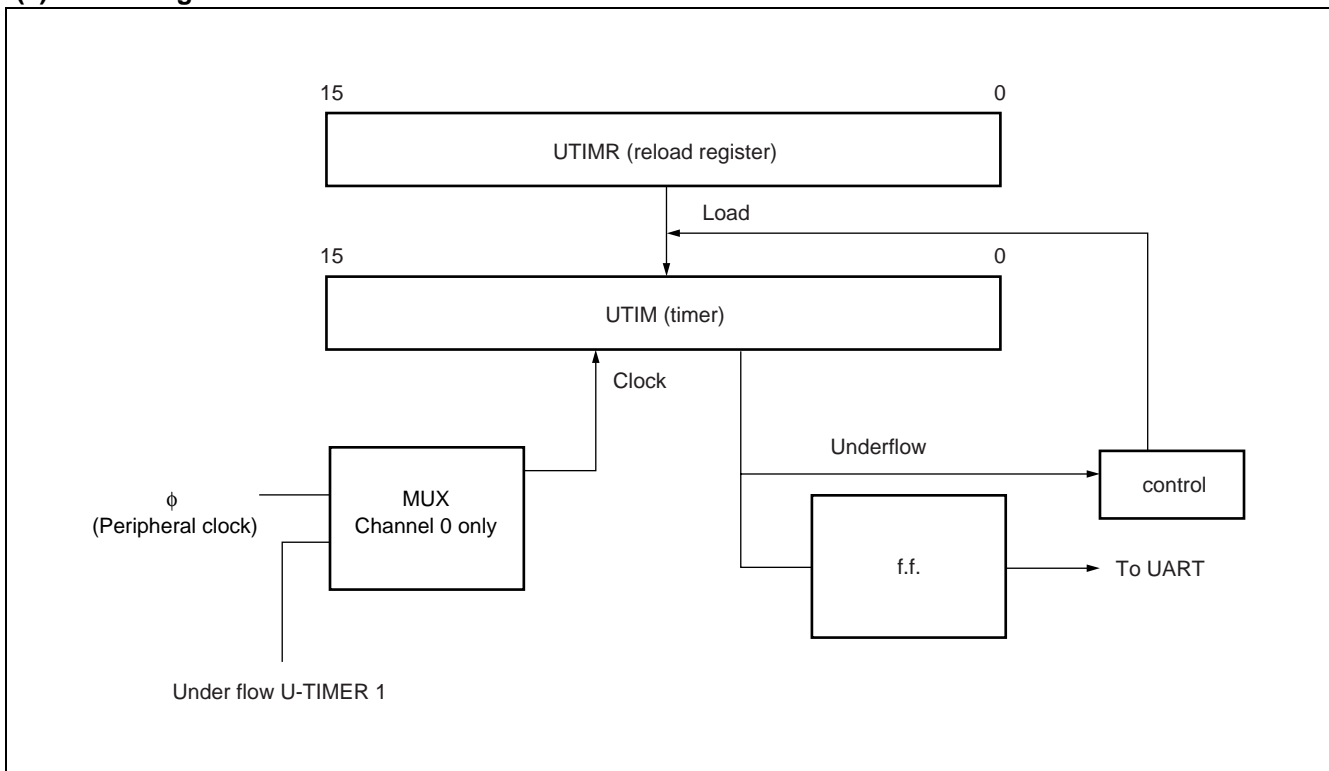
This device features a 3-channel built-in U-TIMER. By connecting two U-TIMER channels used as interval timers in a cascade connection, it is possible to count intervals up to a maximum of $2^{32} \times \phi$.

The available case connections are channel 0 to channel 1, and channel 1 to channel 2.

(2) Register List



(3) Block Diagram



MB91307 Series

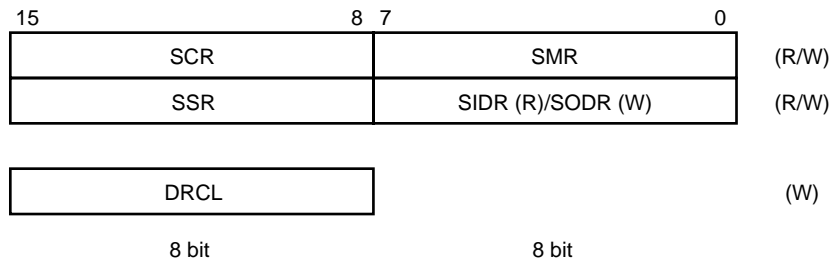
6. UART

(1) Overview

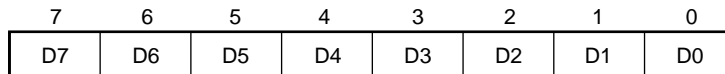
The UART is an I/O port for asynchronous (start-stop synchronized) or CLK synchronized transmission, providing the following features. This device features a 3-channel built-in UART.

- Full duplex double buffer
- Asynchronous (start-stop synchronized) or CLK synchronized transmission enabled
- Supports multi-processor mode
- Fully programmable baud rate
Built-in timer can be set to any desired baud rate (see U-TIMER description)
- Independent baud rate setting from external clock enabled.
- Error detection functions (parity, framing, overrun)
- Transfer signal NRZ encoded
- DMA transfer start from interrupt enabled
- DMAC interrupt source cleared by write operation to DRCL register.

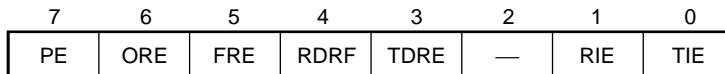
(2) Register List



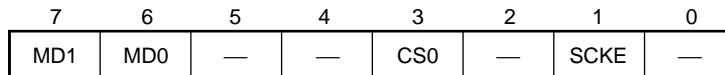
- Serial input register/Serial output register (SIDR/SODR)



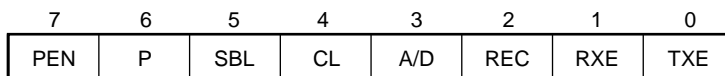
- Serial status register (SSR)



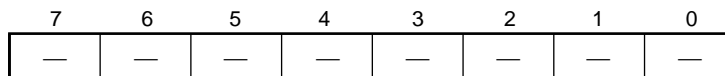
- Serial mode register (SMR)



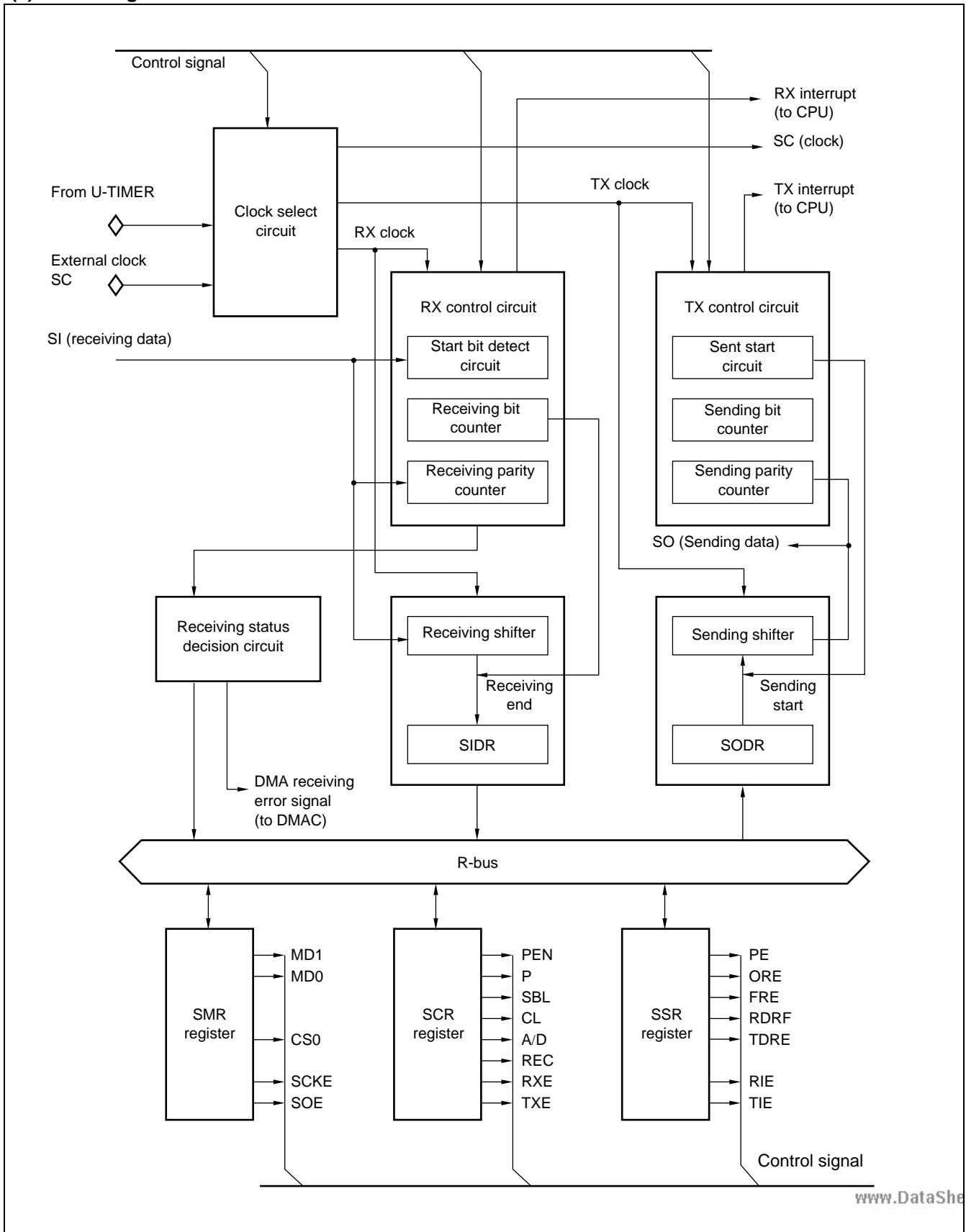
- Serial control register (SCR)



- DRCL register (DRCL)



(3) Block Diagram



MB91307 Series

7. A/D Converter (Sequential comparison type)

(1) Overview

This A/D converter is a module that converts analog input voltages to digital values, and provides the following features.

- Minimum conversion time 5.4 μ s/ch (at machine clock 33 MHz-CKLP)
- Built-in sample & hold circuit
- Resolution 10 bits (8-bit accuracy)
- Analog input: 4 channels by program selection
 - Single conversion mode: Conversion on 1 select channel
 - Scan conversion mode: Select continuous multiple channels. Up to 4 channels can be selected by program.
 - Continuous conversion mode: Continuous conversion on selected channel
 - Stop conversion mode: 1-channel conversion then pause and wait until the next start is applied (enables synchronized conversion start)
- DMA transfer start from interrupt enabled
- Start sources can be selected from software, external trigger (falling edge), reload timer (rising edge).

(2) Register List

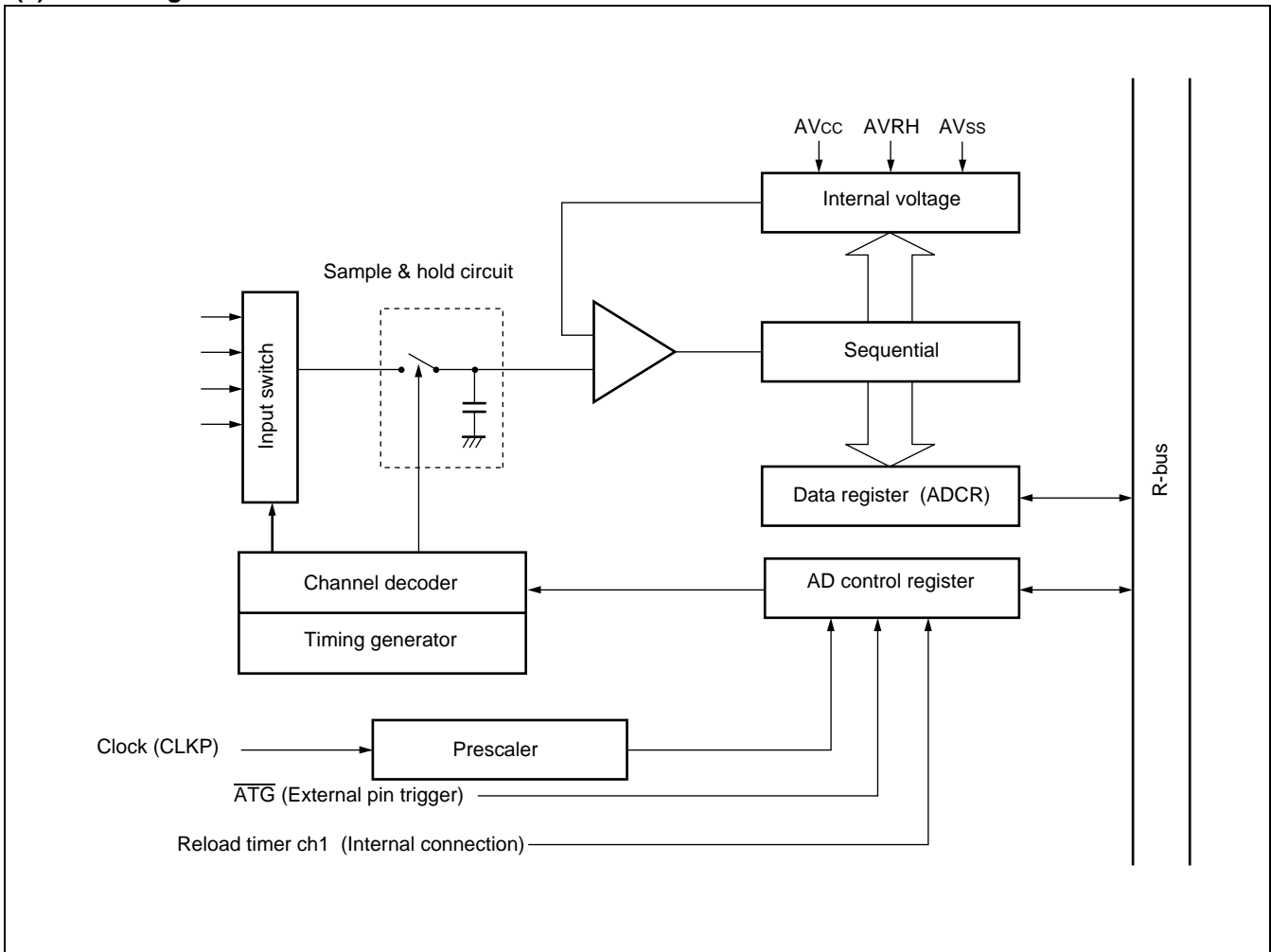
• Control status register (ADCS)

bit	15	14	13	12	11	10	9	8
	BUSY	INT	INTE	PAUS	STS1	STS0	STRT	—
bit	7	6	5	4	3	2	1	0
	MD1	MD0	ANS2	ANS1	ANS0	ANE2	ANE1	ANE0

• Data register (ADCR)

bit	15	14	13	12	11	10	9	8
	—	—	—	—	—	—	9	8
bit	7	6	5	4	3	2	1	0
	7	6	5	4	3	2	1	0

(3) Block Diagram



(4) Precautions for Use:

When the A/D converter is started from an external trigger or internal timer, the ADCS register A/D start source bits STS1, STS0 are set, and at this time the input values for the external trigger and internal timer should be set to the inactive side. If these values are set to the active side, abnormal operation may result.

When setting the STS1, STS0 bits, set $\overline{ATG} = "1"$ input, reload timer (channel 2) = "0" output.

Note : If internal impedance is higher than the specified value, it may not be possible to obtain analog input value sampling within the specified sampling time, so that proper results will not be obtained.

MB91307 Series

8. I²C Interface

(1) Overview

The I²C interface operates as a master/slave device on the I²C bus at serial I/O ports with IC bus support. The following features are provided.

- Master/slave sending and receiving
- Arbitration function
- Clock synchronization function
- Slave address/general call address detection function
- Transfer direction detection function
- Start condition repeat generation and detection function
- Bus error detection function
- 10-bit/7-bit master/slave addressing
- Compatible with standard mode (Max 100 Kbps) or high speed mode (Max 400 Kbps)
- Transfer end interrupt/bus error interrupt generation

(2) Register List

• Bus Control Register (IBCR)

Address : 000094 _H	15	14	13	12	11	10	9	8
	BER	BEIE	SCC	MSS	ACK	GCAA	INTE	INT
Default value →	R/W 0	R/W 0	R/W 0	R/W 0	R/W 0	R/W 0	R/W 0	R/W 0

• Bus Status Register (IBSR)

Address : 000095 _H	7	6	5	4	3	2	1	0
	BB	RSC	AL	LRB	TRX	AAS	GCA	ADT
Default value →	R 0	R 0	R 0	R 0	R 0	R 0	R 0	R 0

• 10-Bit Slave Address Register

Address : 000096 _H	15	14	13	12	11	10	9	8
	—	—	—	—	—	—	TA9	TA8
Default value →	—	—	—	—	—	—	R/W 0	R/W 0

Address : 000097 _H	7	6	5	4	3	2	1	0
	TA7	TA6	TA5	TA4	TA3	TA2	TA1	TA0
Default value →	R/W 0	R/W 0	R/W 0	R/W 0	R/W 0	R/W 0	R/W 0	R/W 0

(Continued)

(Continued)

• 10-Bit Slave Address Mask Register (ITMK)

Address : 000098 _H	15	14	13	12	11	10	9	8
	ENTB	RAL	—	—	—	—	TM9	TM8
Default value →	R/W 0	R 0	—	—	—	—	R/W 1	R/W 1

Address : 000099 _H	7	6	5	4	3	2	1	0
	TM7	TM6	TM5	TM4	TM3	TM2	TM1	TM0
Default value →	R/W 1	R/W 1	R/W 1	R/W 1	R/W 1	R/W 1	R/W 1	R/W 1

• 7-Bit Slave Address Register (ISBA)

Address : 00009B _H	7	6	5	4	3	2	1	0
	—	SA6	SA5	SA4	SA3	SA2	SA1	SA0
Default value →	—	R/W 0	R/W 0	R/W 0	R/W 0	R/W 0	R/W 0	R/W 0

• 7-Bit Slave Address Mask Register (ISMK)

Address : 00009A _H	15	14	13	12	11	10	9	8
	ENSB	SM6	SM5	SM4	SM3	SM2	SM1	SM0
Default value →	R/W 0	R/W 1	R/W 1	R/W 1	R/W 1	R/W 1	R/W 1	R/W 1

• Data Register (IDAR)

Address : 00009D _H	7	6	5	4	3	2	1	0
	D7	D6	D5	D4	D3	D2	D1	D0
Default value →	R/W 0	R/W 0	R/W 0	R/W 0	R/W 0	R/W 0	R/W 0	R/W 0

• Clock Control Register (ICCR)

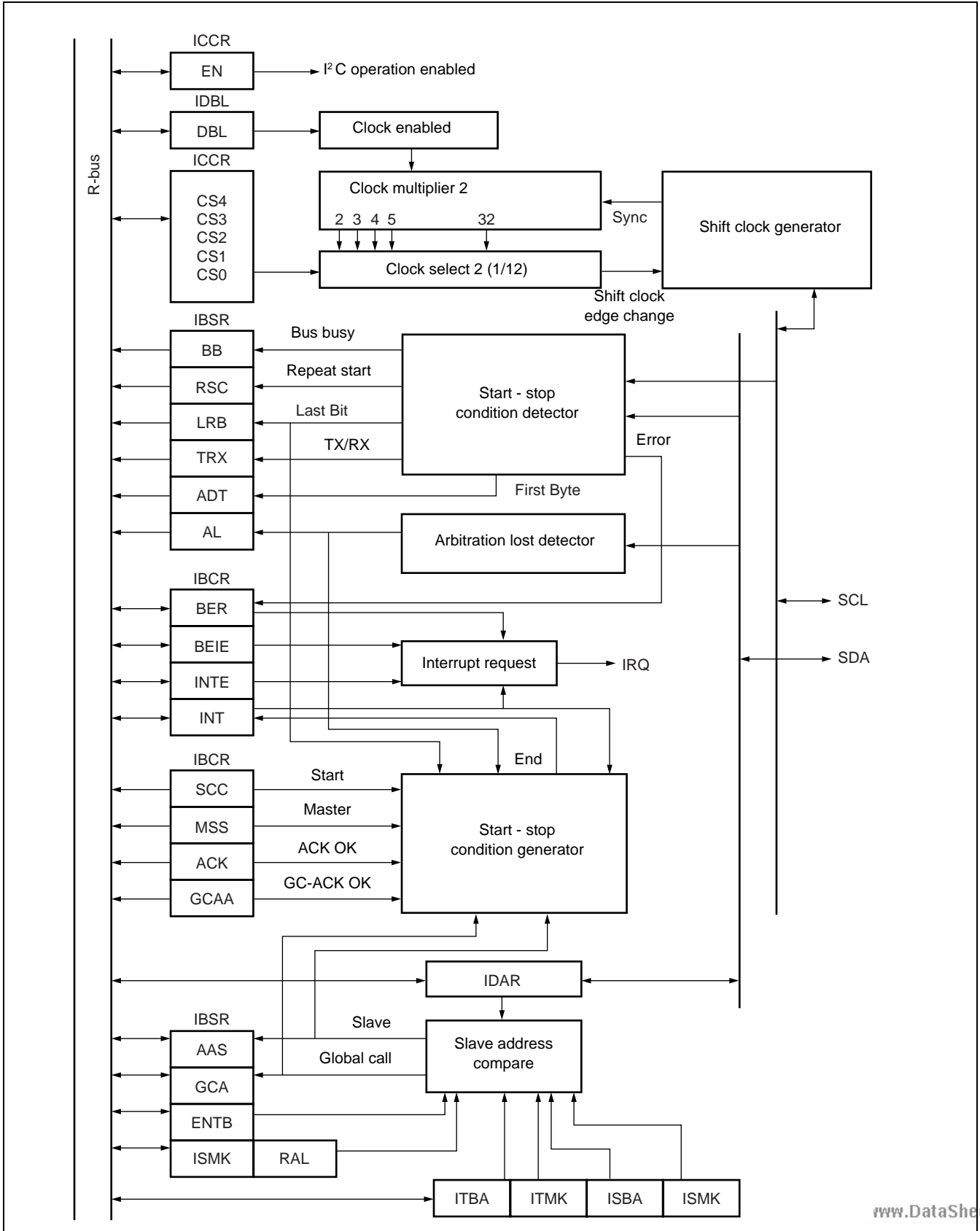
Address : 00009E _H	15	14	13	12	11	10	9	8
	TEST	—	EN	CS4	CS3	CS2	CS1	CS0
Default value →	W 0	—	R/W 0	R/W 1	R/W 1	R/W 1	R/W 1	R/W 1

• Clock Disable Register (IDBL)

Address : 00009F _H	7	6	5	4	3	2	1	0
	—	—	—	—	—	—	—	DBL
Default value →	—	—	—	—	—	—	—	R/W 0

MB91307 Series

(3) Block Diagram



9. DMAC (DMA Controller)

(1) Overview

This module is used to accomplish DMA (Direct Memory Access) transfer on FR family devices.

DMA transfer controlled by this module increases system performance by enabling high speed transfer of many types of data without going through the CPU.

•Hardware Configuration

This module is principally configured from the following units:

- Five independent DMA channels
- 5 channels independent access control circuit
- 32-bit address registers (reload enabled: 2 per channel)
- 16-bit transfer count registers (reload enabled: 2 per channel)
- 4-bit block count registers (1 per channel)
- External transfer request input pins: DREQ0,DREQ1,DREQ2 (ch0, ch1, ch2 only)
- External transfer request acknowledge output pins: DACK0,DACK1,DACK2 (ch0, ch1, ch2 only)
- DMA output completed pins: DEOP0,DEOP1,DEOP2 (ch0, ch1, ch2 only)
- Fly-by transfer (memory to I/O, memory to memory) (ch0, ch1, ch2 only)
- Two-cycle transfer

•Principal Functions

Data transfer using the DMAC module primarily involves the following functions:

- Supports independent data transfer on multiple channels (5 channels)

(1) Order of priority (ch0 > ch1 > ch2 > ch3 > ch4)

(2) The order can be reversed between ch0 and ch1.

(3) DMAC startup sources

- Input from an external-only pin (edge detection/level detection, ch0, ch1, ch2 only)
- Request from a built-in peripheral (shared interrupt request, including external interrupts)
- Software request (register write)

(4) Transfer modes

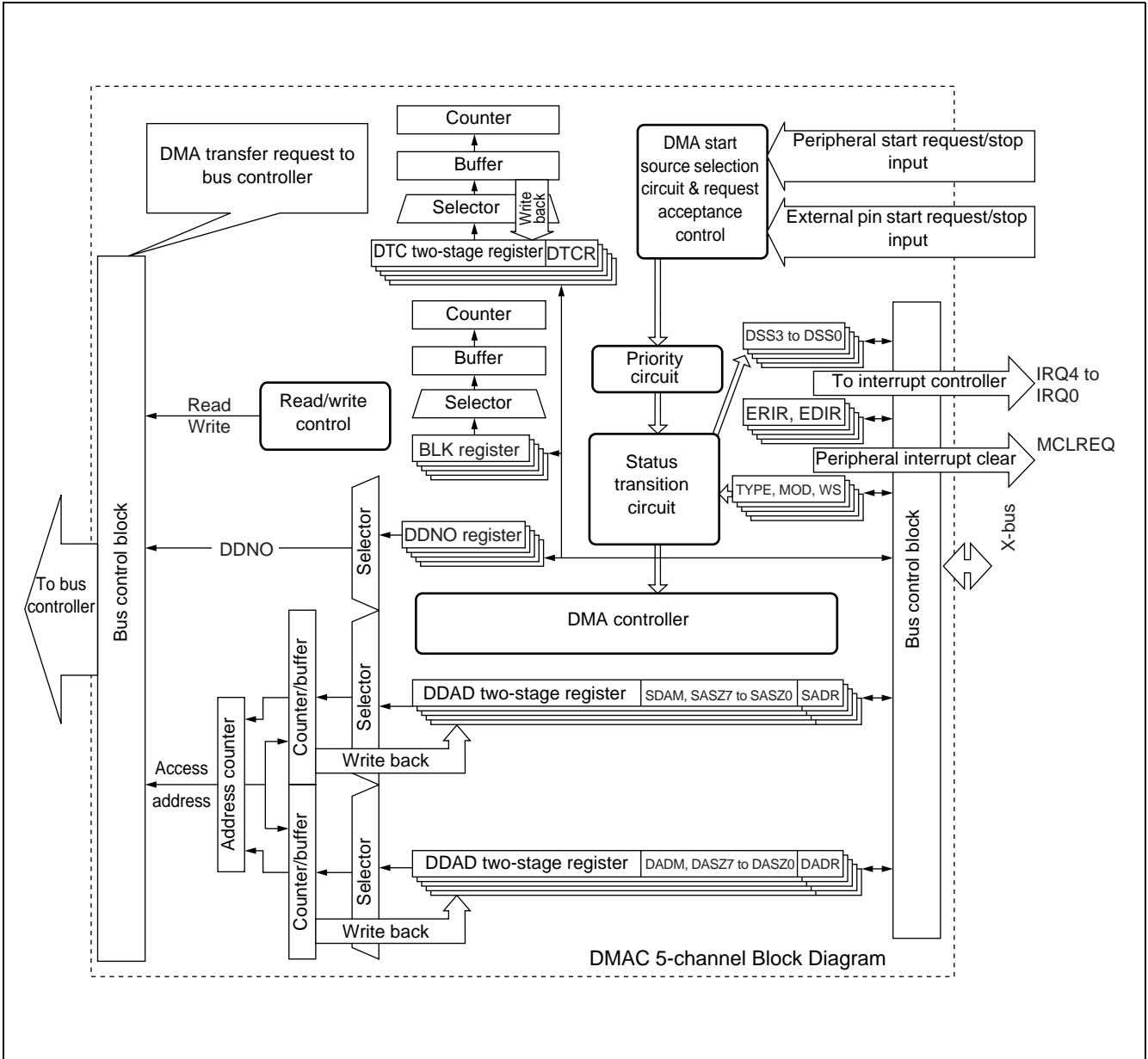
- Demand transfer / burst transfer / step transfer / block transfer
- Addressing mode 32-bit full address designation (increment/decrement/fixed)
(address increment can be specified up to -255 to +255)
- Data type, byte / half-word / word length
- Single-shot / reload selection available

MB91307 Series

(2) Register Descriptions

	(bit)	31	24	23	16	15	08	07	00
ch0 Control/status register A	DMACA0	0000200H	<input type="text"/>						
ch0 Control/status register B	DMACB0	0000204H	<input type="text"/>						
ch1 Control/status register A	DMACA1	0000208H	<input type="text"/>						
ch1 Control/status register B	DMACB1	000020CH	<input type="text"/>						
ch2 Control/status register A	DMACA2	0000210H	<input type="text"/>						
ch2 Control/status register B	DMACB2	0000214H	<input type="text"/>						
ch3 Control/status register A	DMACA3	0000218H	<input type="text"/>						
ch3 Control/status register B	DMACB3	000021CH	<input type="text"/>						
ch4 Control/status register A	DMACA4	0000220H	<input type="text"/>						
ch4 Control/status register B	DMACB4	0000224H	<input type="text"/>						
Overall control register	DMACR	0000240H	<input type="text"/>						
ch0 Transfer source address register	DMASA0	0001000H	<input type="text"/>						
ch0 Transfer source address register	DMADA0	0001004H	<input type="text"/>						
ch1 Transfer source address register	DMASA1	0001008H	<input type="text"/>						
ch1 Transfer source address register	DMADA1	000100CH	<input type="text"/>						
ch2 Transfer source address register	DMASA2	0001010H	<input type="text"/>						
ch2 Transfer source address register	DMADA2	0001014H	<input type="text"/>						
ch3 Transfer source address register	DMASA3	0001018H	<input type="text"/>						
ch3 Transfer source address register	DMADA3	000101CH	<input type="text"/>						
ch4 Transfer source address register	DMASA4	0001020H	<input type="text"/>						
ch4 Transfer source address register	DMADA4	0001024H	<input type="text"/>						

(3) Block Diagram



10. External Interface

(1) Overview

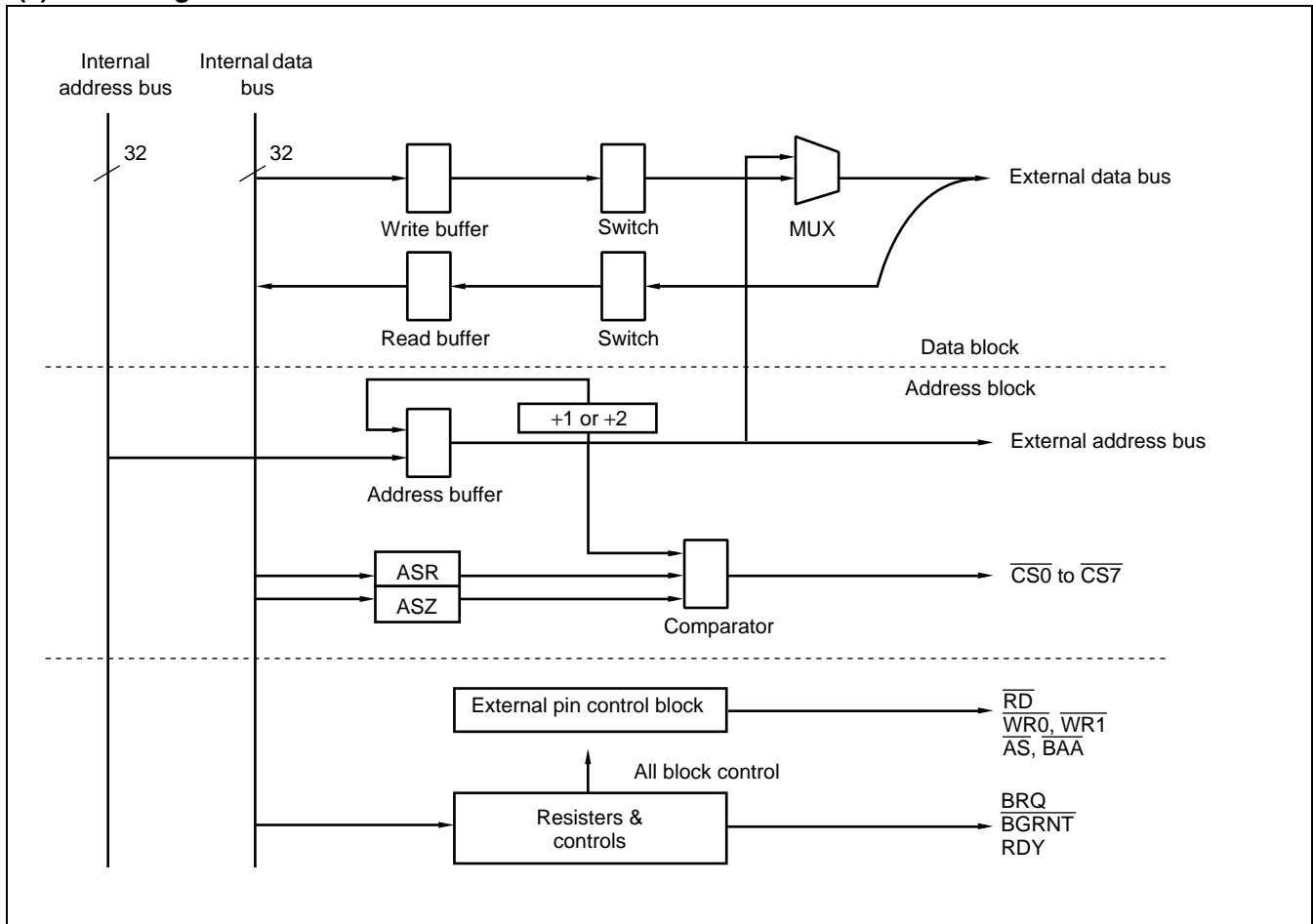
The external interface controller controls the interface between the LSI's internal bus and external memory or I/O devices.

This section describes the functions of the external interface.

(2) Features

- Up to 32 bit-length (4G bytes space) address output.
- Connects directly to many external memory (8 bit/16 bit) devices, allows control of multiple access timings.
Asynchronous SRAM, asynchronous ROM/Flash memory (multiple write strobe type or byte enable type)
Page mode ROM/flash memory (2/4/8 page size enabled)
Burst ROM/Flash memory (MBM29BL160D/161D/162D etc.)
Address/data multiplexed bus (8 bit/16 bit width only)
Synchronous memory* (ASIC built-in memory etc.)
*: Does not connect to synchronous SRAM.
- 8 independent bank (chip select area) settings, each with corresponding chip select output available
Each area size can be set in multiples of 64K bytes (from 64K bytes to 2G bytes per chip select area).
Each area can be set in any desired area of logic address space (boundaries limited by area size).
- The following functions can be independently set for each chip select area.
Chip select area enable/disable (no access to prohibited areas)
Access timing type for each area, etc.
Detailed access timing settings (individual access type settings for wait cycle, etc.)
Data bus width setting (8 bit/16 bit)
Byte ordering endian setting* (big or little).
*: $\overline{CS0}$ area available with big endian only.
Write prohibited setting (read-only areas)
Internal cache loading enable/disable settings
Pre-fetch function enable/disable settings
Maximum burst length setting (1,2,4,8)
- Different detailed timing settings for each access timing type
Different settings can be used for each chip select area even for the same access timing type.
Auto wait setting up to 15 cycles (asynchronous SRAM, ROM, Flash, I/O areas)
Bus cycle extension with external RDY input enabled (asynchronous SRAM, ROM, Flash, I/O areas)
First access wait and page wait settings enabled (burst, page mode ROM/FLASH areas)
Different idle, recovery cycles setup delay insertion etc. enabled
- Fly-by transfer with DMA enabled
Transfer between memory and I/O with 1 access
Memory wait cycle can be synchronized with I/O wait cycle during fly-by
Hold time can be obtained by delaying transfer access only
Specific idle/recovery cycles can be set for fly-by transfer
- External bus arbitration using BRQ and \overline{BGRNT} enabled
- Pins not used in external interface can be set for use as general purpose I/O ports

(3) Block Diagram



(4) I/O Pins

These are the external interface pins. (Some pins have dual functions.)

< Normal bus interface >

A24 to A0, D31 to D16

$\overline{CS0}$, $\overline{CS1}$, $\overline{CS2}$, $\overline{CS3}$, $\overline{CS4}$, $\overline{CS5}$, $\overline{CS6}$, $\overline{CS7}$

\overline{AS} , SYSCLK, MCLK

\overline{RD}

\overline{WE} , $\overline{WR0}$ (UUB), $\overline{WR1}$ (ULB)

RDY, BRQ, \overline{BGRNT}

< Memory interface >

MCLK

\overline{LBA} (= \overline{AS}), \overline{BAA}^*

*: For burst ROM, Flash use

MB91307 Series

< DMA interface >

$\overline{\text{IOWR}}$, $\overline{\text{IORD}}$

DACK0, DACK1, DACK2

DREQ0, DREQ1, DREQ2

DEOP0/DSTP0, DEOP1/DSTP1, DEOP2/DSTP2

(5) Register List

Address	31	24	23	16	15	08	07	00
00000640 _H	ASR0			ACR0				
00000644 _H	ASR1			ACR1				
00000648 _H	ASR2			ASR2				
0000064C _H	ASR3			ACR3				
00000650 _H	ASR4			ACR4				
00000654 _H	ASR5			ACR5				
00000658 _H	ASR6			ACR6				
0000065C _H	ASR7			ACR7				
00000660 _H	AWR0			AWR1				
00000664 _H	AWR2			AWR3				
00000668 _H	AWR4			AWR5				
0000066C _H	AWR6			AWR7				
00000670 _H	Reserved	Reserved		Reserved	Reserved			
00000674 _H	Reserved	Reserved		Reserved	Reserved			
00000678 _H	IOWR0	IOWR1		IOWR2	Reserved			
0000067C _H	Reserved	Reserved		Reserved	Reserved			
00000680 _H	CSEr	CHER		Reserved	TCR			
00000684 _H	Reserved	Reserved		Reserved	Reserved			
00000688 _H	Reserved	Reserved		Reserved	Reserved			
0000068C _H	Reserved	Reserved		Reserved	Reserved			
...			
000007F8 _H	Reserved	Reserved		Reserved	Reserved			
000007FC _H	Reserved	(MODR)		Reserved	Reserved			

Reserved: This address is reserved, and should always be set to "0."

MODR: Cannot be accessed from user programs.

■ ELECTRICAL CHARACTERISTICS

1. Absolute Maximum Ratings

Parameter	Symbol	Rating		Unit	Remarks
		Min	Max		
Supply voltage*1	V_{CC}	$V_{SS} - 0.5$	$V_{SS} + 4.0$	V	*2
Internal supply voltage	V_{CCI}	$V_{SS} - 0.5$	$V_{SS} + 2.2$	V	*2
Analog supply voltage	AV_{CC}	$V_{SS} - 0.5$	$V_{SS} + 4.0$	V	*3
Analog reference voltage	$AVRH$	$V_{SS} - 0.5$	$V_{SS} + 4.0$	V	*3
Input voltage*1	V_I	$V_{SS} - 0.3$	$V_{CC} + 0.3$	V	*8
Analog pin input voltage	V_{IA}	$V_{SS} - 0.3$	$AV_{CC} + 0.3$	V	
Output voltage*1	V_O	$V_{SS} - 0.3$	$V_{CC} + 0.3$	V	*8
Maximum clamp current	I_{CLAMP}	-2.0	2.0	mA	*7
Total maximum clamp current	$\Sigma I_{CLAMP} $	—	20	mA	*7
L level maximum output current	I_{OL}	—	10	mA	*4
L level average output current	I_{OLAV}	—	8	mA	*5
L level maximum total output current	ΣI_{OL}	—	100	mA	
L level average total output current	ΣI_{OLAV}	—	50	mA	*6
H level maximum output current	I_{OH}	—	-10	mA	*4
H level average output current	I_{OHAV}	—	-4	mA	*5
H level maximum total output current	ΣI_{OH}	—	-50	mA	
H level average total output current	ΣI_{OHAV}	—	-20	mA	*6
Power consumption	P_D	—	750	mW	
Operating temperature	T_A	0	+70	°C	
Storage temperature	T_{STG}	—	+150	°C	

*1 : The parameter is based on $V_{SS} = AV_{SS} = 0$ V.

*2 : V_{CC} must not be lower than $V_{SS} - 0.3$ V.

*3 : AV_{CC} and $AVRH$ shall never exceed $V_{CC} + 0.3$ V. Also $AVRH$ shall never exceed AV_{CC} .

*4 : Maximum output current determines the peak value of any one of the corresponding pins.

*5 : Average output current is defined as the value of the average current flowing over 100 ms at any one of the corresponding pins.

*6 : Average total output current is defined as the value of the average current flowing over 100 ms at all of the corresponding pins.

*7 : • Applicable to pins : P20 to P27, P60 to P67, P70, PJ0 to PJ7, PI0 to PI5, PH0 to PH7, PB0 to PB5, PA0 to PA7, P80 to P82, P85, P90 to P97, AN0 to AN3

• Use within recommended operating conditions.

• Use at DC voltage (current) .

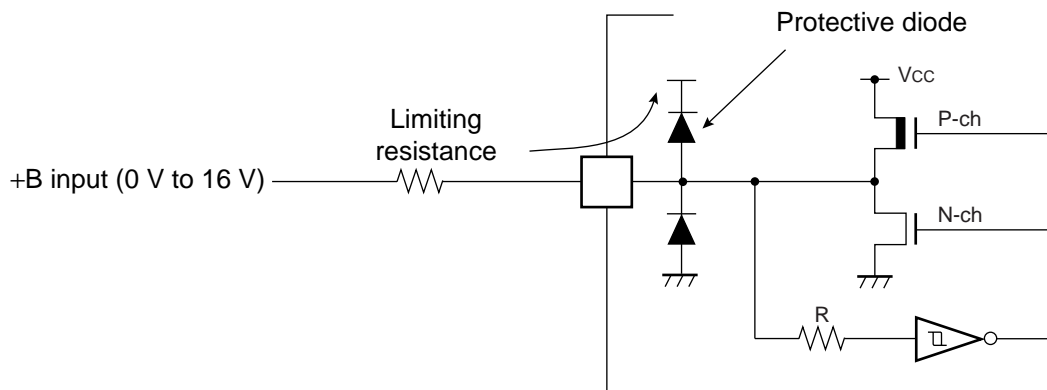
• The +B signal should always be applied with a limiting resistance placed between the +B signal and the microcontroller.

• The value of the limiting resistance should be set so that when the +B signal is applied the input current to the microcontroller pin does not exceed rated values, either instantaneously or for prolonged periods.

MB91307 Series

- Note that when the microcontroller drive current is low, such as in the power saving modes, the +B input potential may pass through the protective diode and increase the potential at the VCC pin, and this may affect other devices.
- Note that if a +B signal is input when the microcontroller current is off (not fixed at 0 V), the power supply is provided from the pins, so that incomplete operation may result.
- Note that if the +B input is applied during power-on, the power supply is provided from the pins and the resulting supply voltage may not be sufficient to operate the power-on reset.
- Care must be taken not to leave the +B input pin open.
- Note that analog system input/output pins other than the A/D input pins (LCD drive pins, comparator input pins, etc.) cannot accept +B signal input.
- Sample recommended circuits :

•Input/Output Equivalent circuits



*8 : V_I and V_O must never exceed $V_{CC} + 0.3$ V. However if the maximum current to/from an input is limited by some means with external components, the I_{CLAMP} rating supersedes the V_I rating.

WARNING: Semiconductor devices can be permanently damaged by application of stress (voltage, current, temperature, etc.) in excess of absolute maximum ratings. Do not exceed these ratings.

2. Recommended Operating Conditions

($V_{SS} = AV_{SS} = 0\text{ V}$)

Parameter	Symbol	Value		Unit	Remarks
		Min	Max		
Supply voltage	V_{CC}	3.0	3.6	V	
	V_{CCI}	1.65	1.95	V	
Analog supply voltage	AV_{CC}	$V_{SS} - 0.3$	$V_{SS} + 3.6$	V	
Analog reference voltage	AV_{RH}	AV_{SS}	AV_{CC}	V	
Operating temperature	T_A	0	+70	°C	

WARNING: The recommended operating conditions are required in order to ensure the normal operation of the semiconductor device. All of the device's electrical characteristics are warranted when the device is operated within these ranges.

Always use semiconductor devices within their recommended operating condition ranges. Operation outside these ranges may adversely affect reliability and could result in device failure.

No warranty is made with respect to uses, operating conditions, or combinations not represented on the data sheet. Users considering application outside the listed conditions are advised to contact their FUJITSU representatives beforehand.

MB91307 Series

3. DC Characteristics

($V_{CCI} = 1.65\text{ V to }1.95\text{ V}$, $V_{CC} = 3.0\text{ V to }3.6\text{ V}$, $V_{SS} = AV_{SS} = 0\text{ V}$, $T_A = 0\text{ }^\circ\text{C to }+70\text{ }^\circ\text{C}$)

Parameter	Symbol	Pin name	Condition	Value			Unit	Remarks
				Min	Typ	Max		
“H” level input voltage	V_{IH}	See note *	—	$0.7 \times V_{CC}$	—	$V_{CC} + 0.3$	V	
	V_{HIS}	Input pins other than *	—	$0.8 \times V_{CC}$	—	$V_{CC} + 0.3$	V	Hysteresis input
“L” level input voltage	V_{IL}	See note *	—	V_{SS}	—	$0.25 \times V_{CC}$	V	
	V_{ILS}	Input pins other than *	—	V_{SS}	—	$0.2 \times V_{CC}$	V	Hysteresis input
“H” level output voltage	V_{OH}	D16 to D31 A00 to A25 P6 to PH	$V_{CC} = 3.0\text{ V}$ $I_{OH} = -4.0\text{ mA}$	$V_{CC} - 0.5$	—	V_{CC}	V	
“L” level output voltage	V_{OL}	D16 to D31 A00 to A25 P6 to PH	$V_{CC} = 3.0\text{ V}$ $I_{OL} = 8.0\text{ mA}$	V_{SS}	—	0.4	V	
Input leak current (Hi-Z output leak current)	I_{LI}	D16 to D31 A00 to A25 P8 to PH	$V_{CC} = 3.6\text{ V}$ $0.45\text{ V} < V_I < V_{CC}$	-5	—	+5	μA	
Pull-up resistance	R_{UP}	\overline{INIT}	$V_{CC} = 3.6\text{ V}$ $V_I = 0.45\text{ V}$	12	25	100	$\text{k}\Omega$	
Pull-down resistance	R_{DOWN}	P82/BRQ	$V_{CC} = 3.6\text{ V}$ $V_I = 3.3\text{ V}$	12	25	100	$\text{k}\Omega$	
Supply current	I_{CC}	$V_{CC} + V_{CCI}$	$f_c = 16.5\text{ MHz}$ $V_{CC} = 3.3\text{ V}$ $V_{CCI} = 1.8\text{ V}$	—	150	—	mA	(4x multiplied) 66 MHz operation
	I_{CCS}		$f_c = 16.5\text{ MHz}$ $V_{CC} = 3.3\text{ V}$ $V_{CCI} = 1.8\text{ V}$	—	50	—	mA	Sleep mode
	I_{CCH}		$T_A = 25\text{ }^\circ\text{C}$ $V_{CC} = 3.3\text{ V}$ $V_{CCI} = 1.8\text{ V}$	—	150	—	μA	Stop mode
Input capacitance	C_{IN}	Other than: V_{CC} V_{SS} AV_{CC} AV_{SS}	—	—	5	15	pF	

* : Pins without hysteresis input pins: D16 to D31, RDY, BRQ, \overline{INIT}

4. AC Characteristics

(1) Clock Timing Standards

($V_{CCI} = 1.65 \text{ V to } 1.95 \text{ V}$, $V_{CC} = 3.0 \text{ V to } 3.6 \text{ V}$, $V_{SS} = AV_{SS} = 0 \text{ V}$, $T_A = 0 \text{ }^\circ\text{C to } +70 \text{ }^\circ\text{C}$)

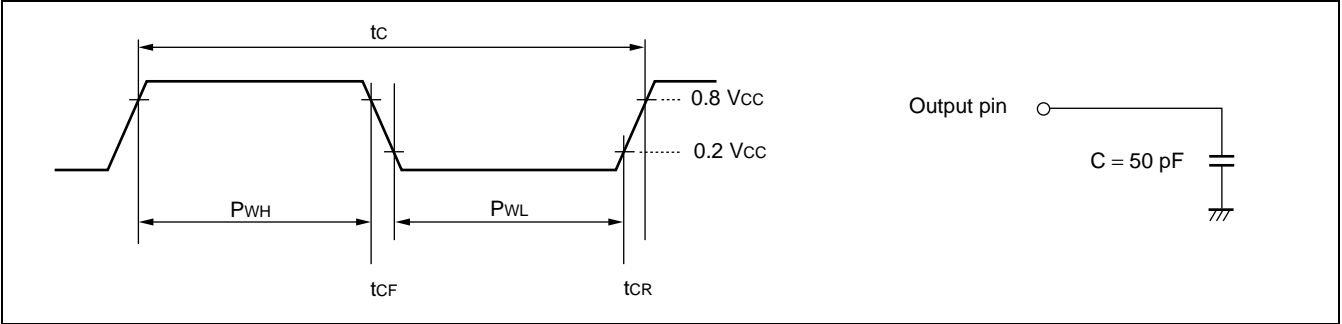
Parameter	Symbol	Pin name	Condition	Value		Unit	Remarks
				Min	Max		
Clock frequency (1)	f_c	X0 X1	—	12.5	16.5	MHz	PLL system*1 (self oscillation 16.5MHz, multiplied x4, maximum internal operation 66MHz)
Clock cycle time	t_c	X0 X1		—	60.6	ns	
Clock frequency (2)	f_c	X0 X1	—	10	33	MHz	Self oscillation (x1/2 frequency input)
Clock frequency (3)	f_c	X0 X1		10	33	MHz	External clock
Clock cycle time	t_c	X0 X1		40	100	ns	
Input clock pulse width	P_{WH} P_{WL}	X0 X1		16	—	ns	
Input clock rise, fall time	t_{CR} t_{CF}	X0 X1		—	8	ns	
Internal operating clock frequency	f_{CP}	—		—	0.78^{*2}	66	MHz
	f_{CPP}		0.78^{*2}		33	MHz	Peripheral system
	f_{CPT}		0.78^{*2}		66	MHz	External bus system
Internal operating clock cycle time	t_{CP}		15.2		1280^{*2}	ns	CPU system
	t_{CPP}		30.3		1280^{*2}	ns	Peripheral system
	t_{CPT}		15.2		1280^{*2}	ns	External bus system

*1 : When using the PLL, the clock frequency should be around 12.5 to 16.5 MHz.

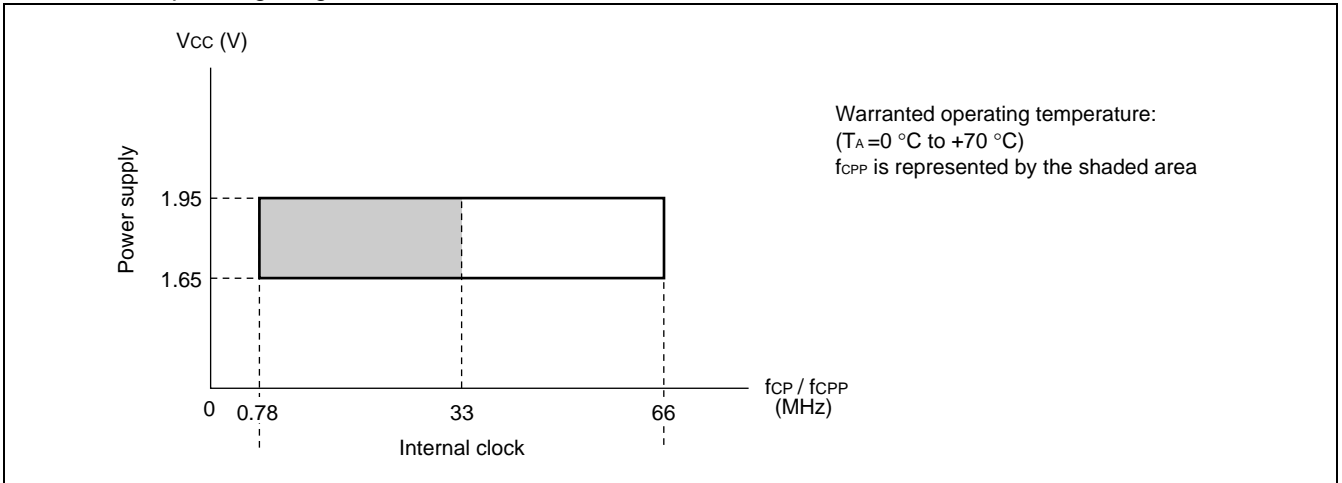
*2 : The values shown represent a minimum clock frequency of 12.5 MHz input at the X0 pin, using the oscillator circuit PLL and a gear ratio of 1/16.

MB91307 Series

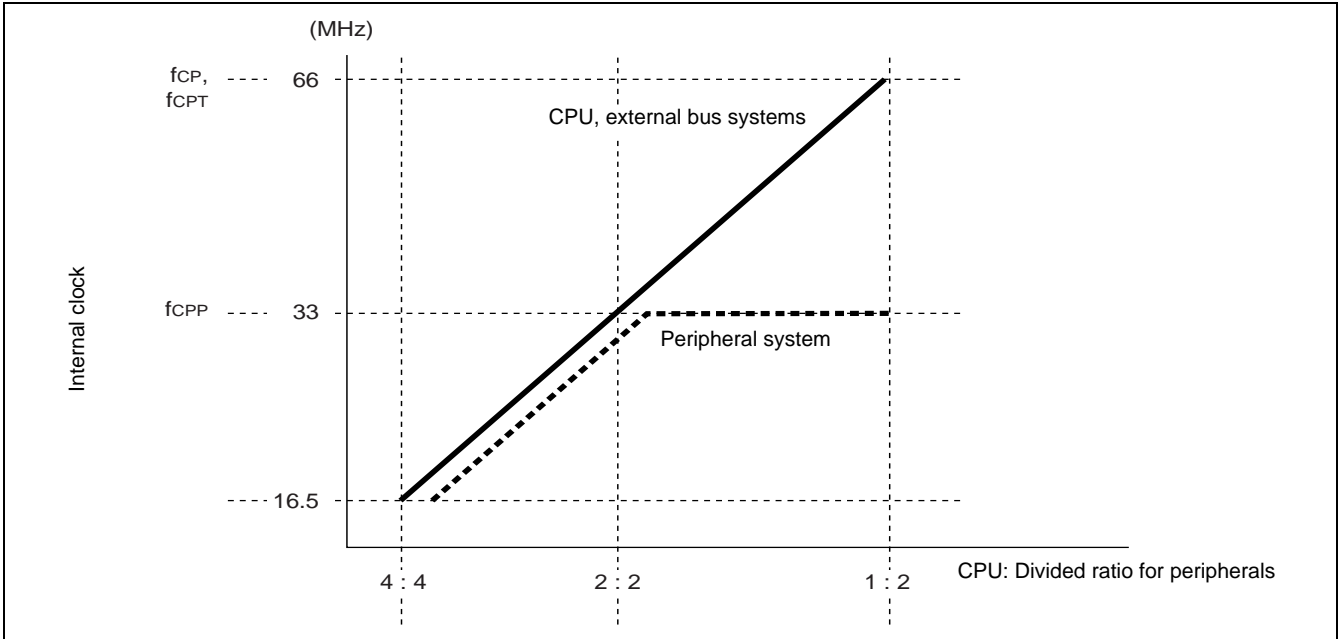
• Clock timing measurement conditions:



• Warranted operating range



• External/internal clock setting range



Notes : • When using the PLL, the external clock input should be around 16.5 MHz.

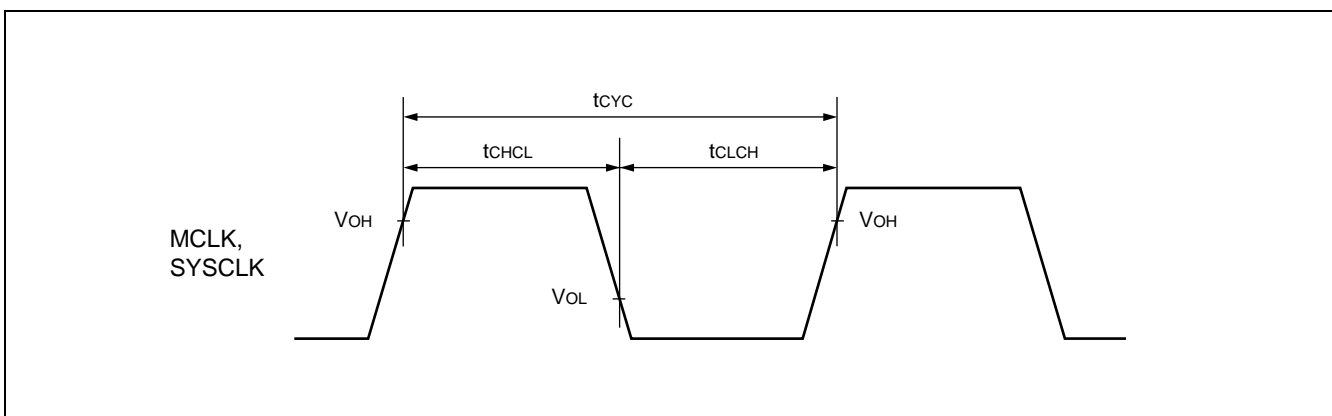
• Set PLL oscillator stabilization time > 300 μ s.

• The internal clock gear setting should be within the values shown in (1) clock timing standards.

(2) Clock Output Timing

($V_{CCI} = 1.65\text{ V to }1.95\text{ V}$, $V_{CC} = 3.0\text{ V to }3.6\text{ V}$, $V_{SS} = AV_{SS} = 0\text{ V}$, $T_A = 0\text{ }^\circ\text{C to }+70\text{ }^\circ\text{C}$)

Parameter	Symbol	Pin name	Conditions	Value		Unit	Remarks
				Min	Max		
Cycle time	t_{CYC}	MCLK, SYSCLK	—	t_{CPT}	—	ns	*1
MCLK \uparrow →MCLK \downarrow SYSCLK \uparrow →SYSCLK \downarrow	t_{CHCL}	MCLK, SYSCLK		$1/2 \times t_{CYC} - 3$	$1/2 \times t_{CYC} + 3$	ns	*2
MCLK \downarrow →MCLK \uparrow SYSCLK \downarrow →SYSCLK \uparrow	t_{CLCL}	MCLK, SYSCLK		$1/2 \times t_{CYC} - 3$	$1/2 \times t_{CYC} + 3$	ns	*3



*1 : t_{CYC} represents the frequency of one clock cycle including the gear period.

*2 : The values shown represent standards for $\times 1$ gear period.

For gear period settings of 1/2, 1/4, 1/8, use the following formula replacing n with the value 1/2, 1/4, 1/8 respectively.

$$(1/2 \times 1/n) \times t_{CYC} - 10$$

*3 : The values shown represent standards for $\times 1$ gear period.

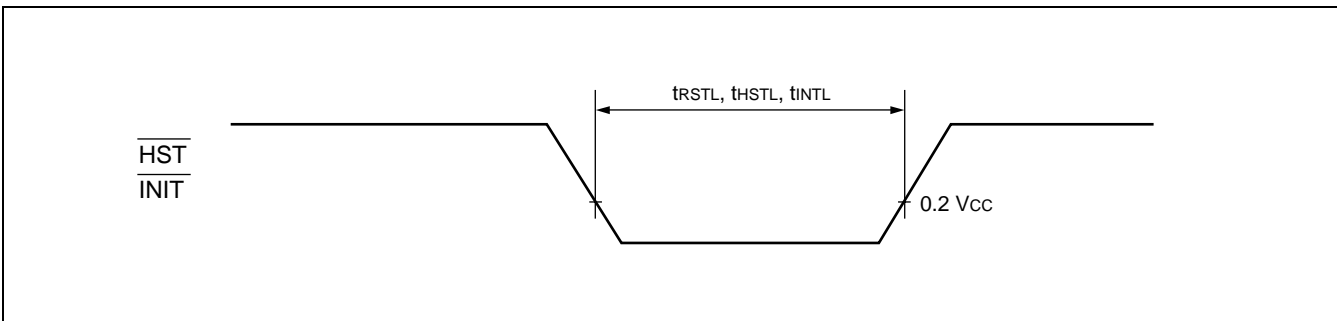
Note : t_{CPT} indicates the internal operating clock time. See “ (1) Clock Timing Standards”.

MB91307 Series

(3) Reset and Hardware Standby Input Standards

($V_{CCI} = 1.65 \text{ V to } 1.95 \text{ V}$, $V_{CC} = 3.0 \text{ V to } 3.6 \text{ V}$, $V_{SS} = AV_{SS} = 0 \text{ V}$, $T_A = 0 \text{ }^\circ\text{C to } +70 \text{ }^\circ\text{C}$)

Parameter	Symbol	Pin name	Conditions	Value		Unit	Remarks
				Min	Max		
Hardware standby input time	t_{HSTL}	V_{CCI}	—	$t_{CP} \times 5$	—	ns	
INIT input time (power-on)	t_{INTL}	$\overline{\text{INIT}}$		*	—	ns	
INIT input time (other than power-on)				$t_{CP} \times 5$	—	ns	



* : INIT input time (at power-on)

FAR, Ceralock : $\phi \times 2^{15}$ or greater recommended

Crystal : $\phi \times 2^{21}$ or greater recommended

ϕ : Power on \rightarrow X0/X1 period $\times 2$

Note : t_{CP} indicates the clock cycle time. See “(1) Clock Timing Standards”.

(4) Normal Bus Access Read/Write Operation

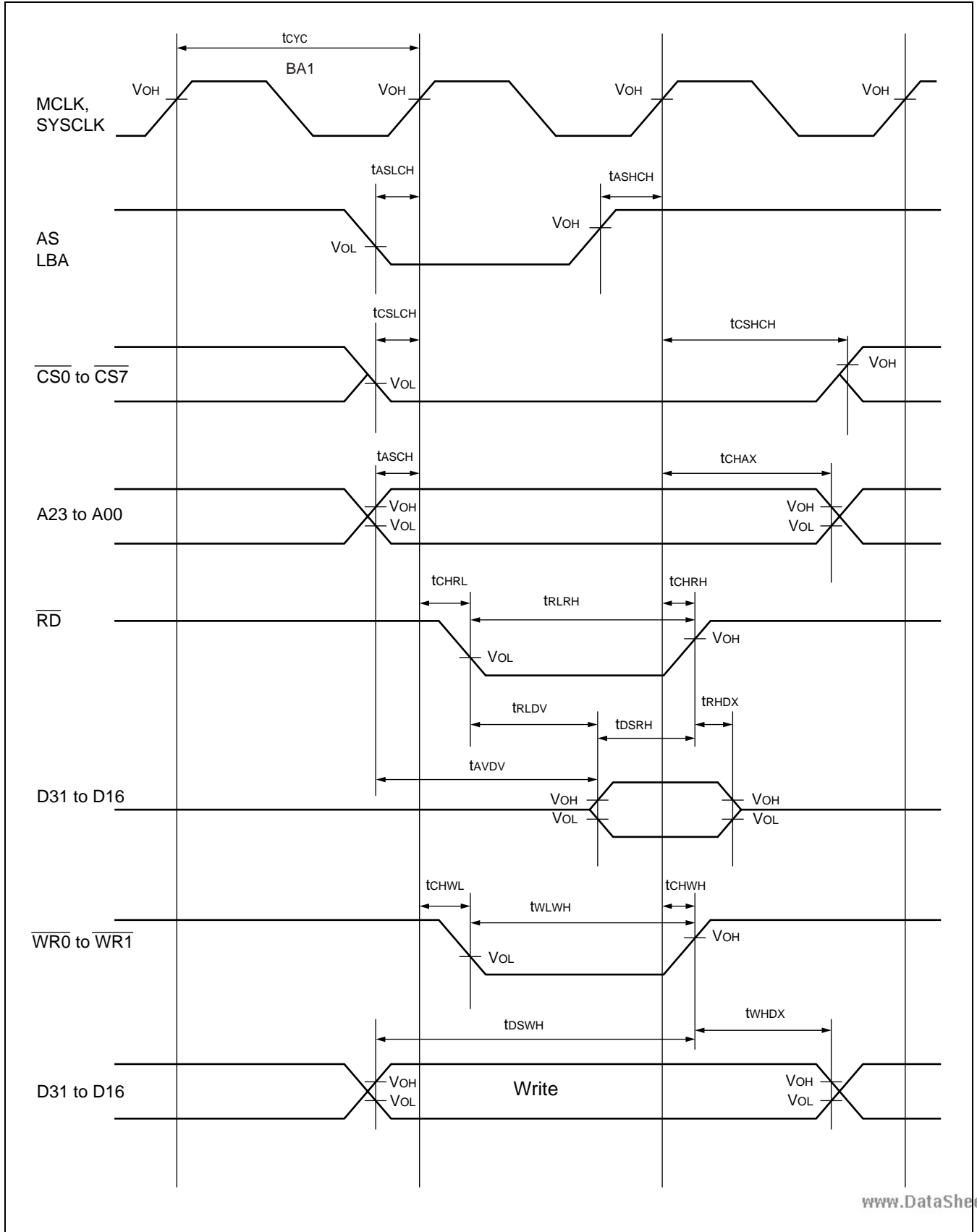
($V_{CCI} = 1.65\text{ V to }1.95\text{ V}$, $V_{CC} = 3.0\text{ V to }3.6\text{ V}$, $V_{SS} = AV_{SS} = 0\text{ V}$, $T_A = 0\text{ }^\circ\text{C to }+70\text{ }^\circ\text{C}$)

Parameter	Symbol	Pin name	Condition	Value		Unit	Remarks
				Min	Max		
$\overline{CS0}$ to $\overline{CS7}$ setup	t_{CSLCH}	MCLK, SYSCLK, $\overline{CS0}$ to $\overline{CS7}$	—	3	—	ns	
$\overline{CS0}$ to $\overline{CS7}$ hold	t_{CSHCH}			3	$t_{CYC}/2 + 6$	ns	
Address setup	t_{ASCH}	MCLK, SYSCLK, A23 to A00		3	—	ns	
Address hold	t_{CHAX}	MCLK, SYSCLK, A23 to A00		3	$t_{CYC}/2 + 6$	ns	
Valid address → valid data input time	t_{AVDV}	A23 to A00, D31 to D16		—	$3/2 \times$ $t_{CYC} - 11$	ns	*
$\overline{WR0}$ to $\overline{WR1}$ delay time	t_{CHWL}	MCLK, SYSCLK, $\overline{WR0}$ to $\overline{WR1}$		—	6	ns	
	t_{CHWH}			—	6	ns	
$\overline{WR0}$ to $\overline{WR1}$ minimum pulse width	t_{WLWH}	$\overline{WR0}$ to $\overline{WR1}$		$t_{CYC} - 3$	—	ns	
Data setup → $\overline{WRx}\uparrow$	t_{DSWH}	$\overline{WR0}$ to $\overline{WR1}$, D31 to D16	—	t_{CYC}	—	ns	
$\overline{WRx}\uparrow$ → data hold time	t_{WHDX}			5	—	ns	
\overline{RD} delay time	t_{CHRL}	MCLK, SYSCLK, \overline{RD}		—	6	ns	
	t_{CHRH}			—	6	ns	
$\overline{RD}\downarrow$ → valid data input time	t_{RLDV}	\overline{RD} , D31 to D16		—	$t_{CYC} - 10$	ns	*
Data setup → $\overline{RD}\uparrow$ time	t_{DSRH}			10	—	ns	
$\overline{RD}\uparrow$ → data hold time	t_{RHDX}			0	—	ns	
\overline{RD} minimum pulse width	t_{RLRH}			$t_{CYC} - 3$	—	ns	
\overline{AS} setup	t_{ASLCH}	MCLK, SYSCLK, \overline{AS}		3	—	ns	
\overline{AS} hold	t_{ASHCH}			3	—	ns	

* : To extend bus time by automatic wait insertion or RDY input, add to this value ($t_{CYC} \times$ number of extended cycles).

Note : t_{CYC} indicates the cycle time. See “(2) Clock Output Timing”.

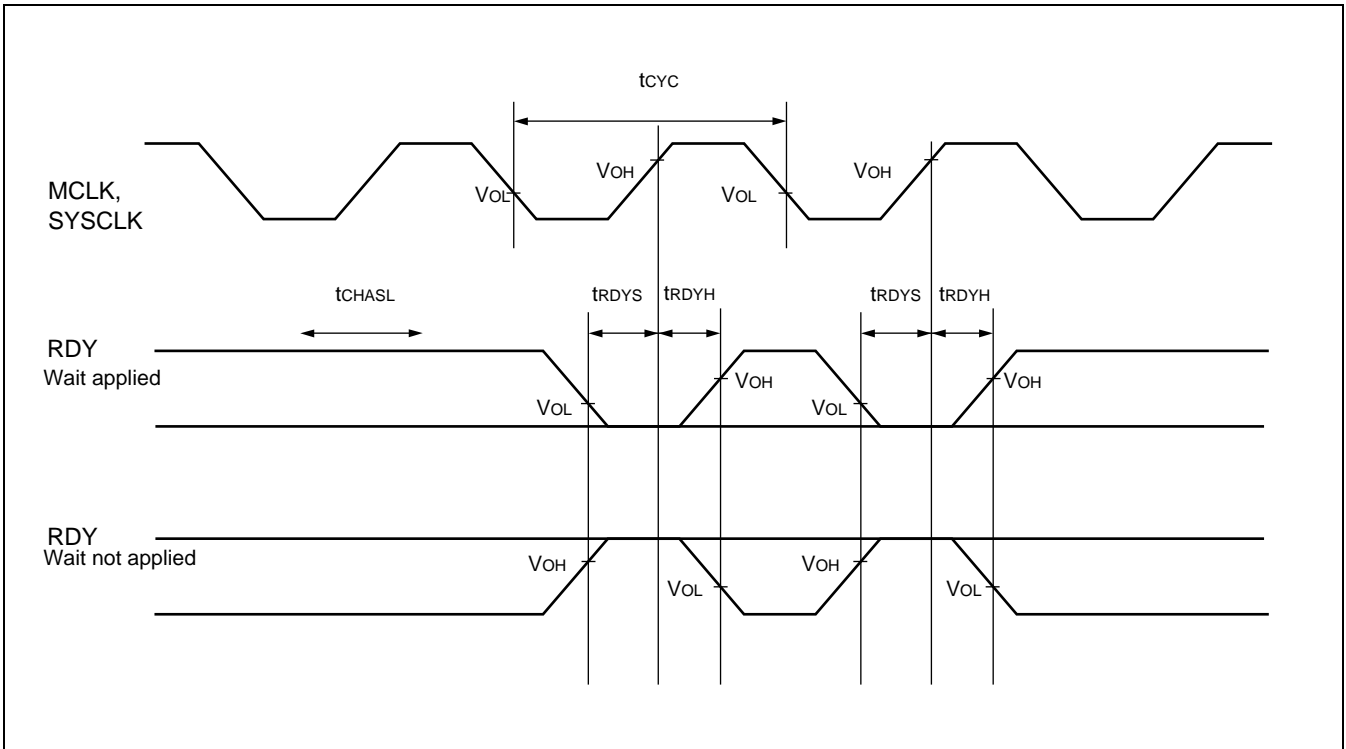
MB91307 Series



(5) Ready Input Timing

($V_{CCI} = 1.65\text{ V to }1.95\text{ V}$, $V_{CC} = 3.0\text{ V to }3.6\text{ V}$, $V_{SS} = AV_{SS} = 0\text{ V}$, $T_A = 0\text{ }^\circ\text{C to }+70\text{ }^\circ\text{C}$)

Parameter	Symbol	Pin name	Condition	Value		Unit	Remarks
				Min	Max		
RDY setup time → MCLK↑, SYSCLK↑	t_{RDYS}	MCLK, SYSCLK, RDY	—	10	—	ns	
MCLK↑, SYSCLK↑ RDY hold time	t_{RDYH}	MCLK, SYSCLK, RDY	—	0	—	ns	



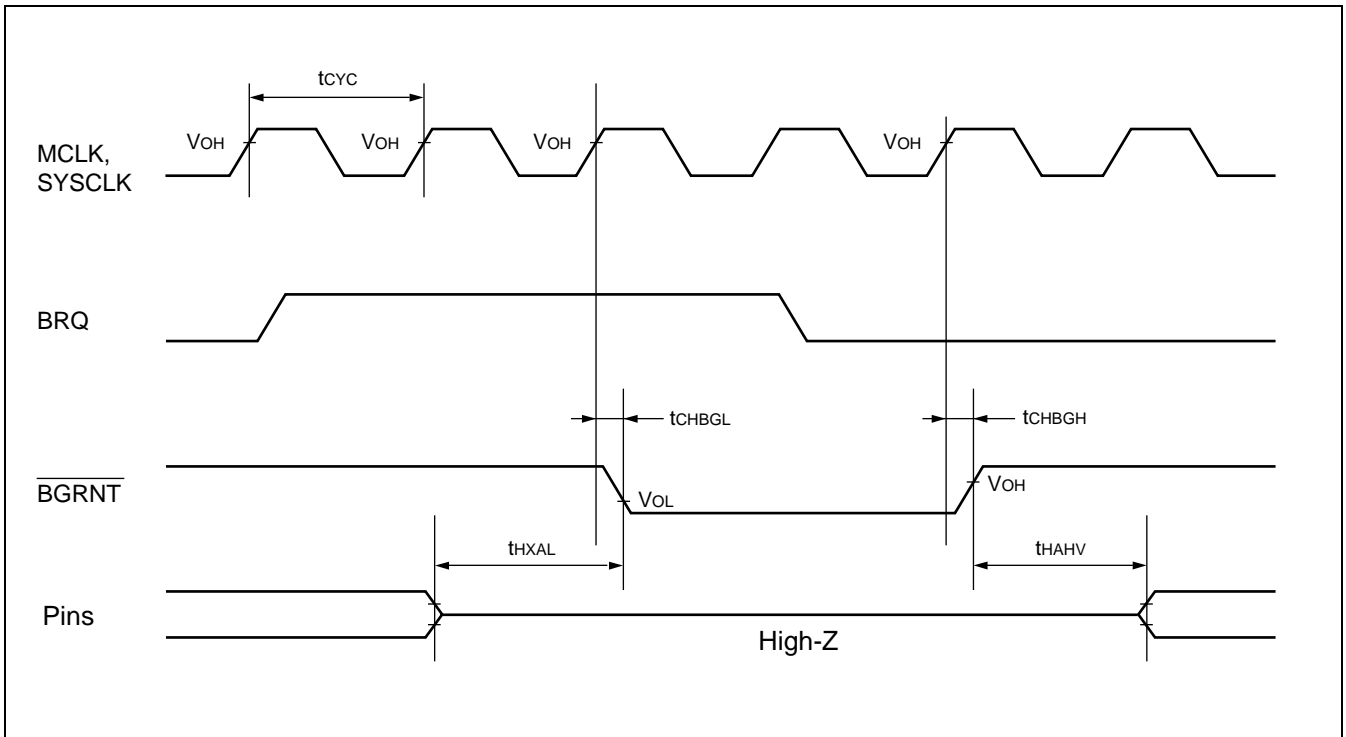
MB91307 Series

(6) Hold Timing

($V_{CCI} = 1.65 \text{ V to } 1.95 \text{ V}$, $V_{CC} = 3.0 \text{ V to } 3.6 \text{ V}$, $V_{SS} = AV_{SS} = 0 \text{ V}$, $T_A = 0 \text{ }^\circ\text{C to } +70 \text{ }^\circ\text{C}$)

Parameter	Symbol	Pin name	Condition	Value		Unit	Remarks
				Min	Max		
$\overline{\text{BGRNT}}$ delay time	t_{CHBGL}	MCLK, SYSCLK, $\overline{\text{BGRNT}}$	—	3	13.5	ns	
	t_{CHBGH}			3	13.5	ns	
Pin floating → $\overline{\text{BGRNT}}$ ↓ time	t_{XHAL}	$\overline{\text{BGRNT}}$		$t_{\text{CYC}} - 10$	$t_{\text{CYC}} + 10$	ns	
$\overline{\text{BGRNT}}$ ↑ → valid time	t_{HAHV}			$t_{\text{CYC}} - 10$	$t_{\text{CYC}} + 10$	ns	

Note: After a BRQ is accepted, a minimum of 1 cycle is required before $\overline{\text{BGRNT}}$ changes.



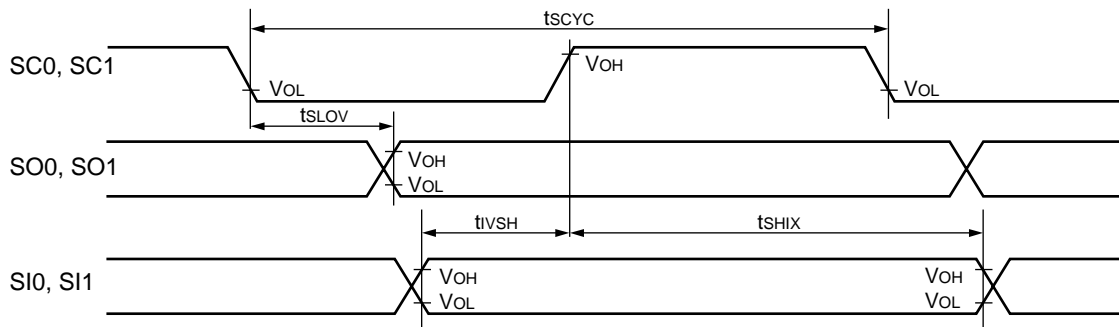
(7) UART Timing

($V_{CCI} = 1.65\text{ V to }1.95\text{ V}$, $V_{CC} = 3.0\text{ V to }3.6\text{ V}$, $V_{SS} = AV_{SS} = 0\text{ V}$, $T_A = 0\text{ }^\circ\text{C to }+70\text{ }^\circ\text{C}$)

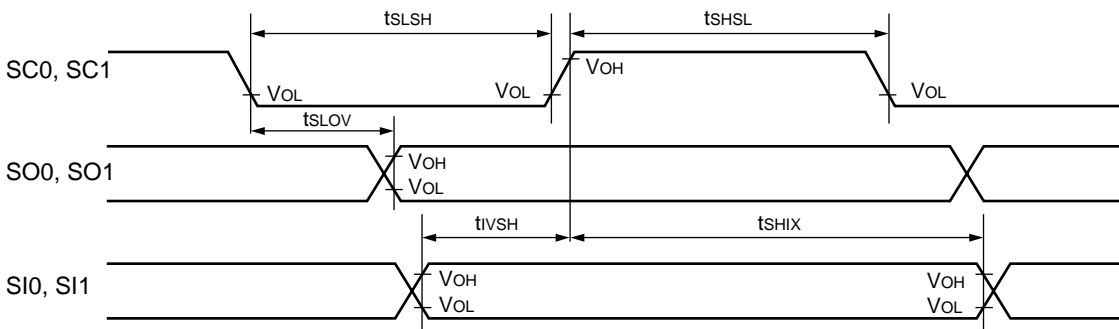
Parameter	Symbol	Pin name	Condition	Value		Unit	Remarks
				Min	Max		
Serial clock cycle time	t_{SCYC}	SC0 to SC2	Internal shift lock mode	$8 t_{CPP}$	—	ns	
SCLK↓ → SOUT delay time	t_{SLOV}	SC0 to SC2, SO0 to SO2		-80	80	ns	
Valid SIN → SCLK↑	t_{IVSH}	SC0 to SC2, SI0 to SI2		100	—	ns	
SCLK↑ → valid SIN hold time	t_{SHIX}	SC0 to SC2, SI0 to SI2		60	—	ns	
Serial clock "H" pulse width	t_{SHSL}	SC0 to SC2	External shift lock mode	$4 t_{CPP}$	—	ns	
Serial clock "L" pulse width	t_{SLSH}	SC0 to SC2		$4 t_{CPP}$	—	ns	
SCLK↓ → SOUT delay time	t_{SLOV}	SC0 to SC2, SO0 to SO2		—	150	ns	
Valid SIN → SCLK↑	t_{IVSH}	SC0 to SC2, SI0 to SI2		60	—	ns	
SCLK↑ → valid SIN hold time	t_{SHIX}	SC0 to SC2, SI0 to SI2		60	—	ns	

Notes: • Above ratings are for operation in CLK synchronized mode.
• t_{CPP} is the cycle time of the peripheral system clock.

• Internal Shift Clock Mode



• External Shift Clock Mode



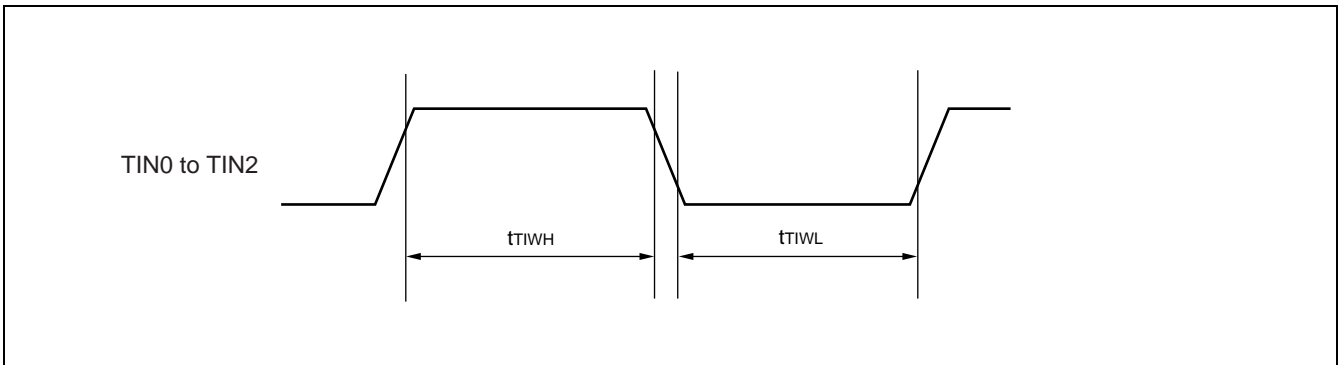
MB91307 Series

(8) Timer Clock Input Timing

($V_{CCI} = 1.65\text{ V to }1.95\text{ V}$, $V_{CC} = 3.0\text{ V to }3.6\text{ V}$, $V_{SS} = AV_{SS} = 0\text{ V}$, $T_A = 0\text{ }^\circ\text{C to }+70\text{ }^\circ\text{C}$)

Parameter	Symbol	Pin name	Condition	Value		Unit	Remarks
				Min	Max		
Input pulse width	t_{TIWH} t_{TIWL}	TIN0 to TIN2	—	$2 t_{CYCP}$	—	ns	

Note: t_{CYCP} is the cycle time of the peripheral system clock.

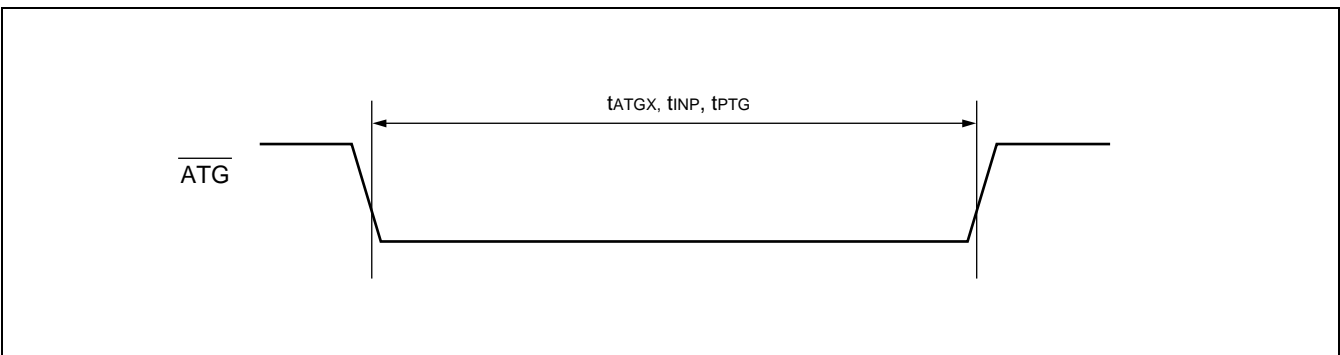


(9) Trigger Input Timing

($V_{CCI} = 1.65\text{ V to }1.95\text{ V}$, $V_{CC} = 3.0\text{ V to }3.6\text{ V}$, $V_{SS} = AV_{SS} = 0\text{ V}$, $T_A = 0\text{ }^\circ\text{C to }+70\text{ }^\circ\text{C}$)

Parameter	Symbol	Pin name	Condition	Value		Unit	Remarks
				Min	Max		
A/D startup trigger input time	t_{ATGX}	\overline{ATG}	—	$5 t_{CYCP}$	—	ns	

Note: t_{CYCP} is the cycle time of the peripheral system clock.

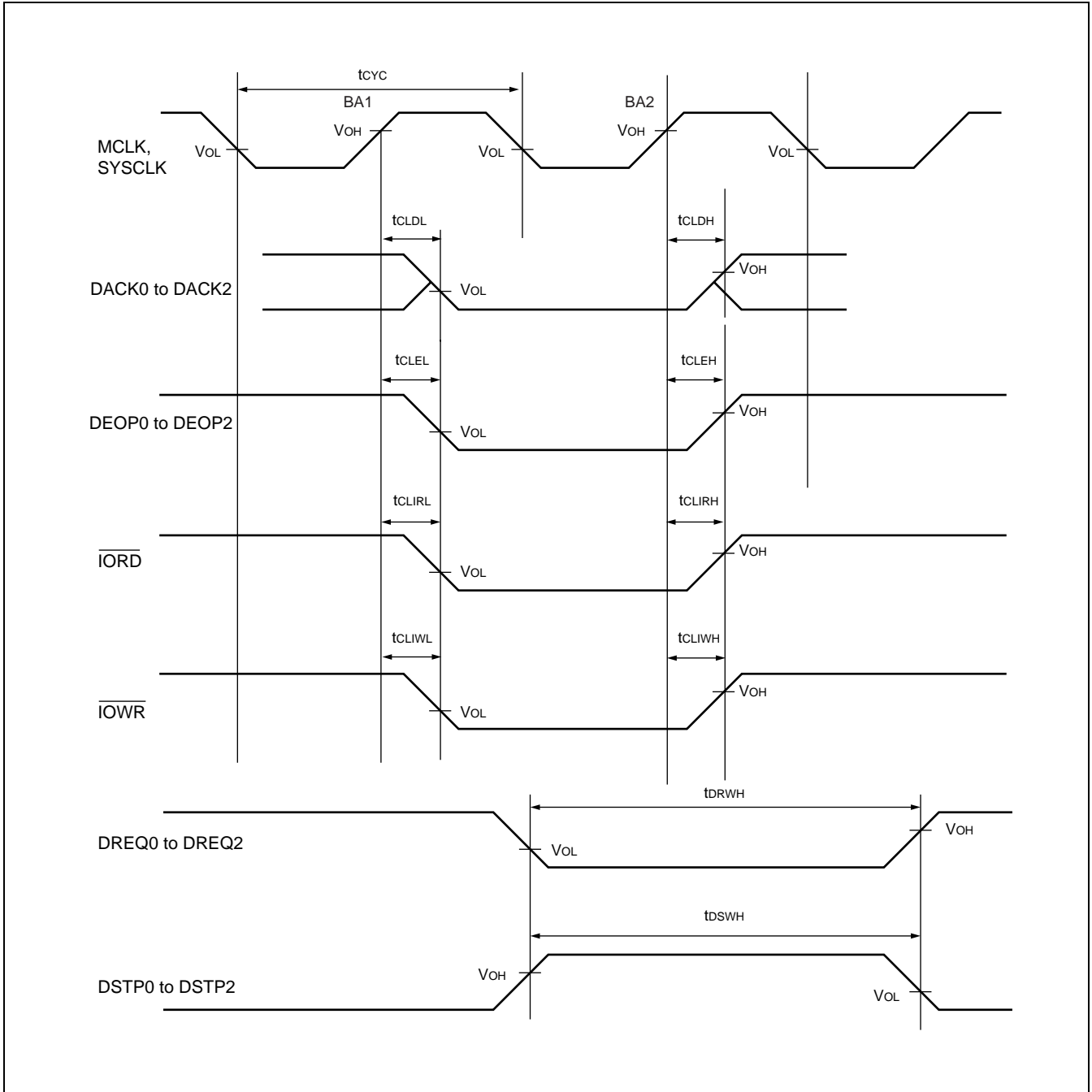


(10) DMA Controller Timing

($V_{CCI} = 1.65\text{ V to }1.95\text{ V}$, $V_{CC} = 3.0\text{ V to }3.6\text{ V}$, $V_{SS} = AV_{SS} = 0\text{ V}$, $T_A = 0\text{ }^\circ\text{C to }+70\text{ }^\circ\text{C}$)

Parameter	Symbol	Pin name	Condition	Value		Unit	Remarks
				Min	Max		
DREQ input pulse width	t_{DRWH}	DREQ 0 to DREQ2	—	$5 t_{CYC}$	—	ns	
DSTP input pulse width	t_{DSWH}	DSTP 0 to DSTP2		$5 t_{CYC}$	—	ns	
DACK delay time	t_{CLDL}	MCLK, SYSCLK, DACK0 to DACK2		—	6	ns	
	t_{CLDH}			—	6		
DEOP delay time	t_{CLEL}	MCLK, SYSCLK, DEOP 0 to DEOP2		—	6	ns	
	t_{CLEH}			—	6		
\overline{IORD} delay time	t_{CLIRL}	MCLK, SYSCLK		—	6	ns	
	t_{CLIRH}			—	6		
\overline{IOWR} delay time	t_{CLIWL}	MCLK, SYSCLK		—	6	ns	
	t_{CLIWH}			—	6		

MB91307 Series



(11) I²C Timing

(V_{CCI} = 1.65 V to 1.95 V, V_{CC} = 3.0 V to 3.6 V, V_{SS} = AV_{SS} = 0 V, T_A = 0 °C to +70 °C)

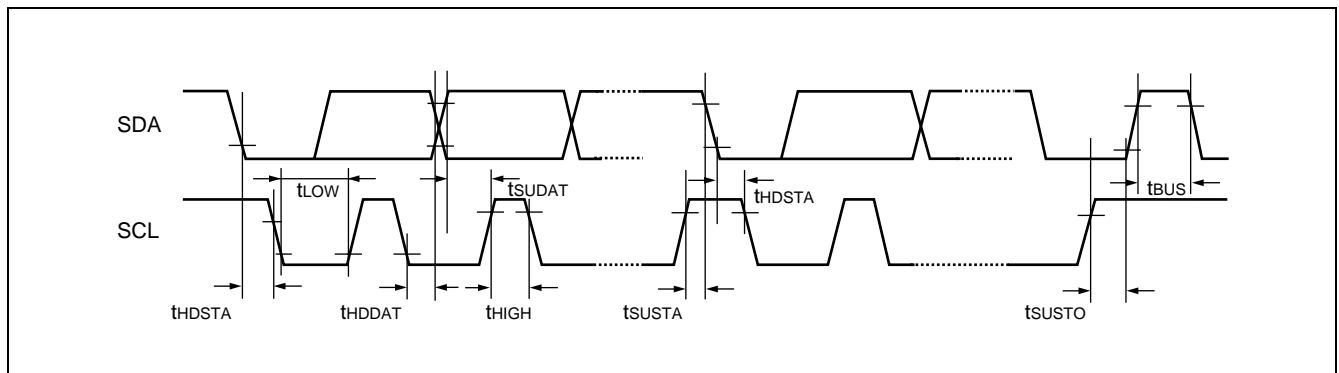
Parameter	Symbol	Condition	Standard mode		High-speed mode*4		Unit
			Min	Max	Min	Max	
SCL clock frequency	f _{SCL}	R = 1.0 kΩ, C = 50 pF*1	0	100	0	400	kHz
(Repeat) "start" condition hold time SDA ↓ → SCL ↓	t _{HDSTA}		4.0	—	0.6	—	μs
SCL clock "L" width	t _{LOW}		4.7	—	1.3	—	μs
SCL clock "H" width	t _{HIGH}		4.0	—	0.6	—	μs
Repeat "start" condition setup time SCL ↑ → SDA ↓	t _{SUSTA}		4.7	—	0.6	—	μs
Data hold time SCL ↓ → SDA ↓ ↑	t _{HDDAT}		0	3.45*2	0	0.9*3	μs
Data setup time SDA ↓ ↑ → SCL ↑	t _{SUDAT}		250	—	100	—	ns
"Stop" condition setup time SCL ↑ → SDA ↑	t _{SUSTO}		4.0	—	0.6	—	μs
Bus free time between "stop" and "start" conditions	t _{BUS}		4.7	—	1.3	—	μs

*1 : R, C : Pull-up resistor and load capacitor of the SCL and SDA lines.

*2 : The maximum t_{HDDAT} only has to be met if the device does not stretch the "L" width (t_{LOW}) of the SCL signal.

*3 : A Fast-mode I²C-bus device can be used in a Standard-mode I²C-bus system, but the requirement t_{SUDAT} ≥ 250 ns must then be met.

*4 : For use at over 100 kHz, set the resource clock to at least 6 MHz.



MB91307 Series

5. A/D Converter Electrical Characteristics

($V_{CC1} = 1.65 \text{ V to } 1.95 \text{ V}$, $V_{CC} = +3.0 \text{ V to } +3.6 \text{ V}$, $V_{SS} = AV_{SS} = 0 \text{ V}$, $T_A = 0 \text{ }^\circ\text{C to } +70 \text{ }^\circ\text{C}$)

Parameter	Symbol	Pin name	Value			Unit
			Min	Typ	Max	
Resolution	—	—	—	10	10	BIT
Total error	—	—	—	—	± 4.5	LSB
Linear error	—	—	—	—	± 3.0	LSB
Differential linear error	—	—	—	—	± 2.5	LSB
Zero transition error	V_{OT}	AN0 to AN3	- 1.5	+ 0.5	+ 4.5	LSB
Full scale transition error	V_{FST}	AN0 to AN3	$AVRH - 4.5$	$AVRH - 1.5$	$AVRH + 4.5$	LSB
Conversion time	—	—	5.4 *1	—	—	μs
Analog port input current	I_{AIN}	AN0 to AN3	—	0.1	10	μA
Analog input voltage	V_{AIN}	AN0 to AN3	AV_{SS}	—	$AVRH$	V
Reference voltage	—	$AVRH$	AV_{SS}	—	AV_{CC}	V
Supply current	I_A	AV_{CC}	—	600	—	μA
	I_{AH}		—	—	10 *2	μA
Reference voltage supply current	I_R	$AVRH$	—	600	—	μA
	I_{RH}		—	—	10 *2	μA
Inter-channel variation	—	AN0 to AN3	—	—	5	LSB

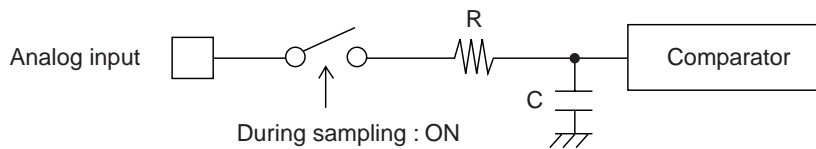
*1 : At $V_{CC} = AV_{CC} = 3.0 \text{ V to } 3.6 \text{ V}$, $V_{CC1} = 1.65 \text{ V to } 1.95 \text{ V}$ machine clock 33 MHz.

*2 : Current in CPU stop mode with A/D converter not operating (at $V_{CC} = AV_{CC} = AVRH = 3.6 \text{ V}$, $V_{CC1} = 1.95 \text{ V}$)

• About the external impedance of the analog input and its sampling time

- A/D converter with sample and hold circuit. If the external impedance is too high to keep sufficient sampling time, the analog voltage charged to the internal sample and hold capacitor is insufficient, adversely affecting A/D conversion precision.

• Analog input circuit model

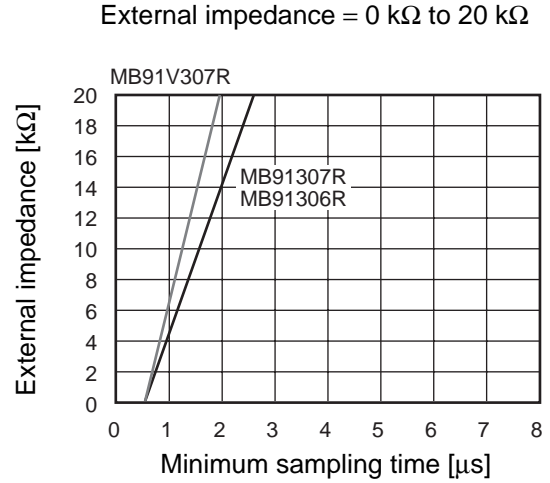
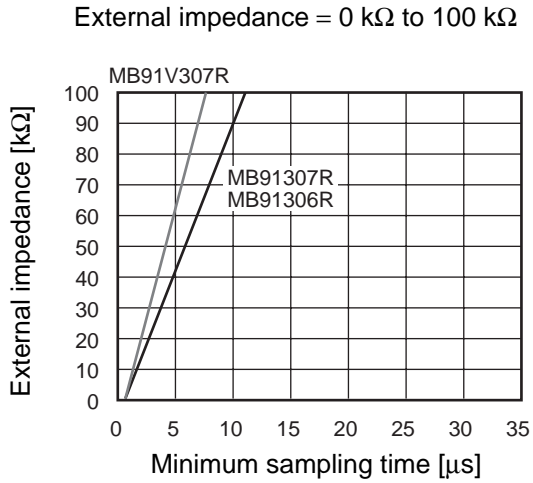


Note : The values are reference values.

	R	C
MB91307R/306R	5.0 k Ω (Max)	15 pF (Max)
MB91V307R	8.1 k Ω (Max)	10 pF (Max)

- To satisfy the A/D conversion precision standard, consider the relationship between the external impedance and minimum sampling time and either adjust the operating frequency or decrease the external impedance so that the sampling time is longer than the minimum value.

- The relationship between external impedance and minimum sampling time



- If the sampling time cannot be sufficient, connect a capacitor of about 0.1 mF to the analog input pin.

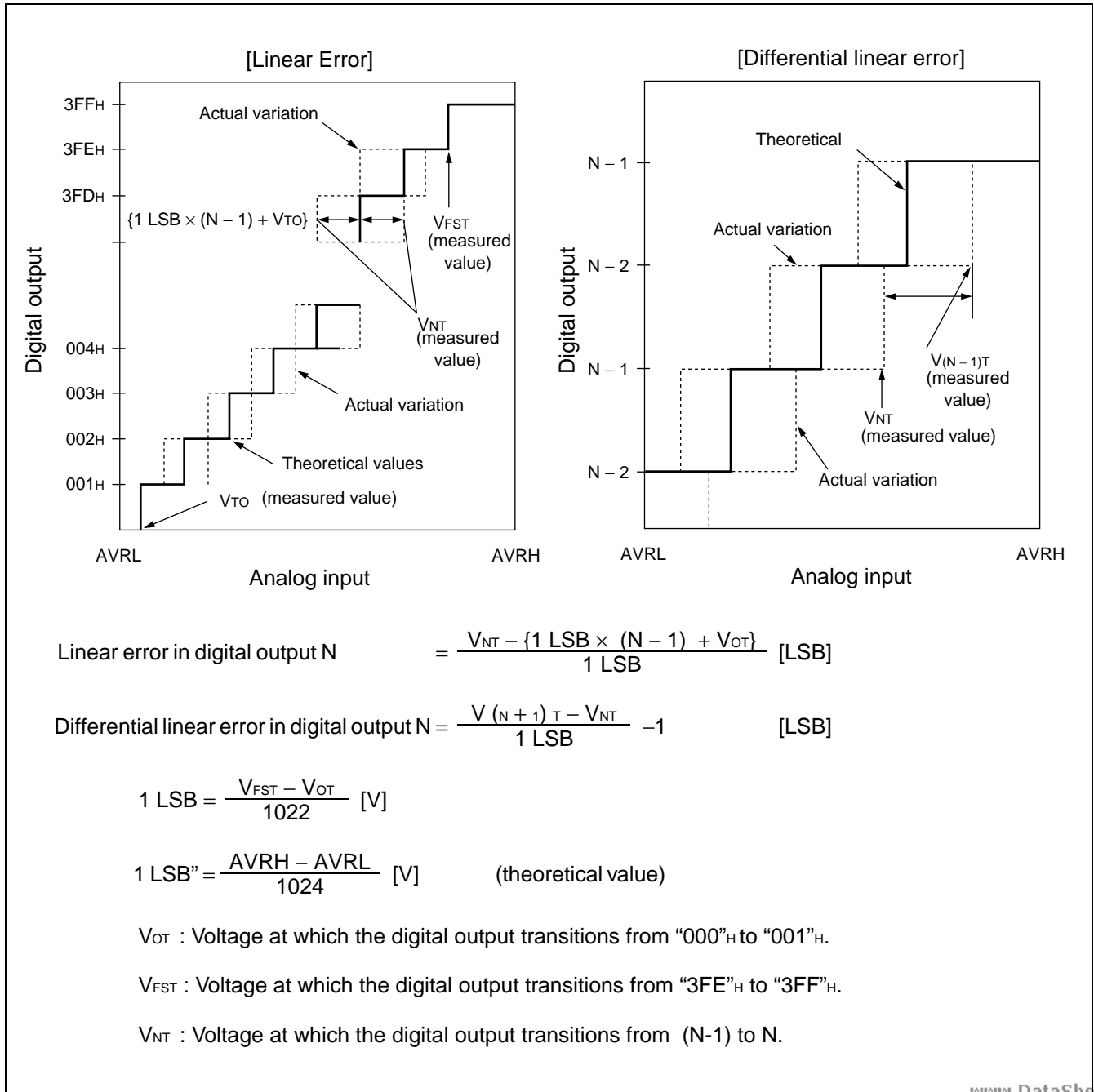
• About errors

As $|AVRH|$ becomes smaller, values of relative errors grow larger.

MB91307 Series

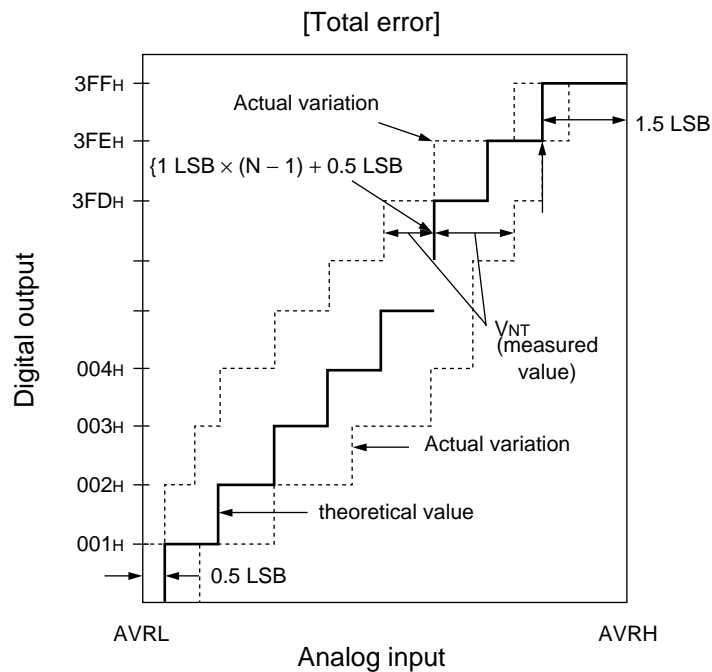
Definition of A/D Converter Terms

- Resolution
Indicates the ability of the A/D converter to discriminate analog variation
- Linear error
Expresses the deviation between actual conversion characteristics and a straight line connecting the device's zero transition point (00 0000 0000 \longleftrightarrow 00 0000 0001) and full scale transition point (11 1111 1110 \longleftrightarrow 11 1111 1111)
- Differential linear error
Expresses the deviation of the logical value of input voltage required to create a variation of 1 LSB in output code.



- Total error

Expresses the difference between actual and theoretical values as error, including zero transition error, full-scale error, and linearity error.



$$\text{Total error in digital output } N = \frac{V_{NT} - \{1 \text{ LSB} \times (N - 1) + 0.5 \text{ LSB}\}}{1 \text{ LSB}} \text{ [LSB]}$$

$$V_{OT} \text{ (theoretical value)} = AVRL + 0.5 \text{ LSB} \text{ [V]}$$

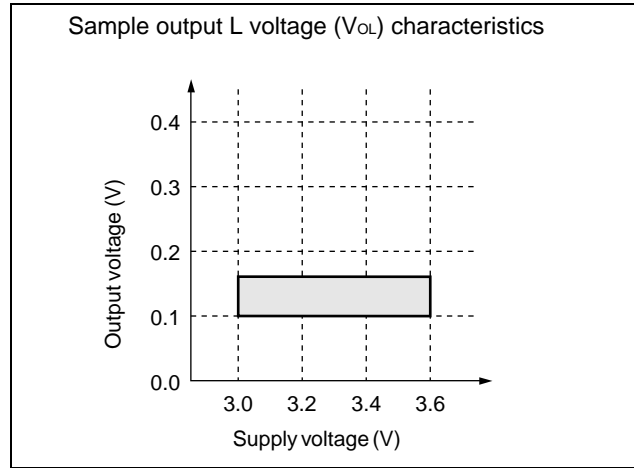
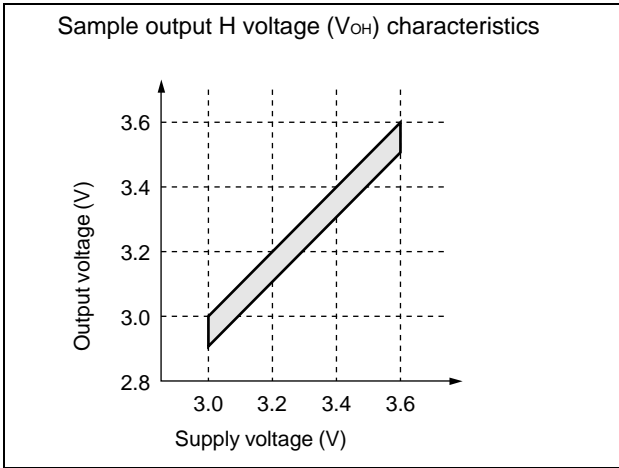
$$V_{FST} \text{ (theoretical value)} = AVRH - 1.5 \text{ LSB} \text{ [V]}$$

V_{NT} : Voltage at which digital output transitions from (N-1) to N.

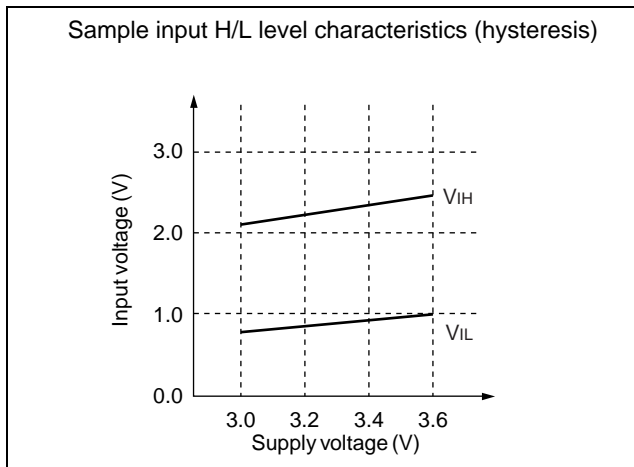
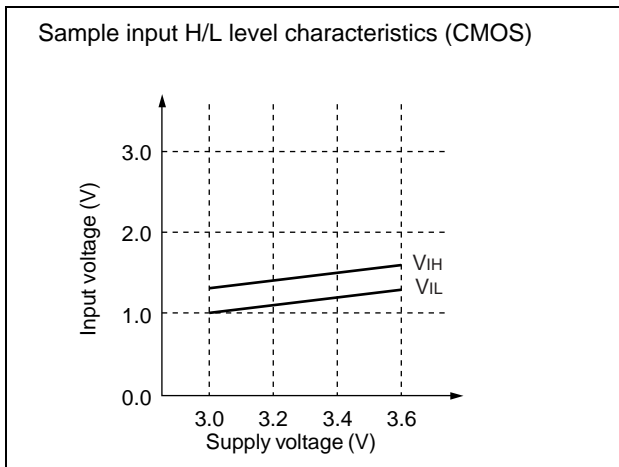
MB91307 Series

EXAMPLE CHARACTERISTICS

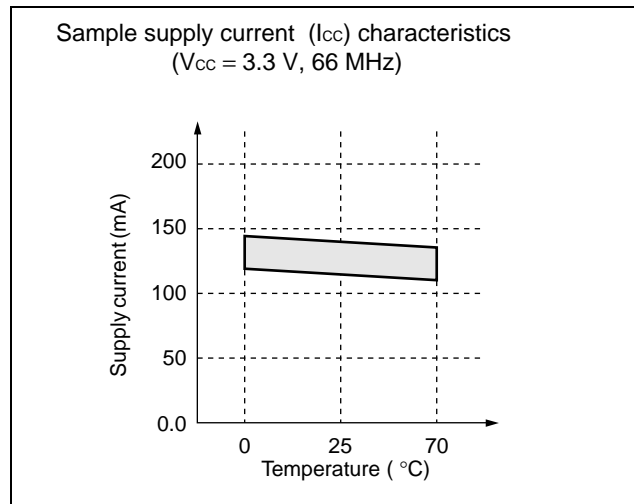
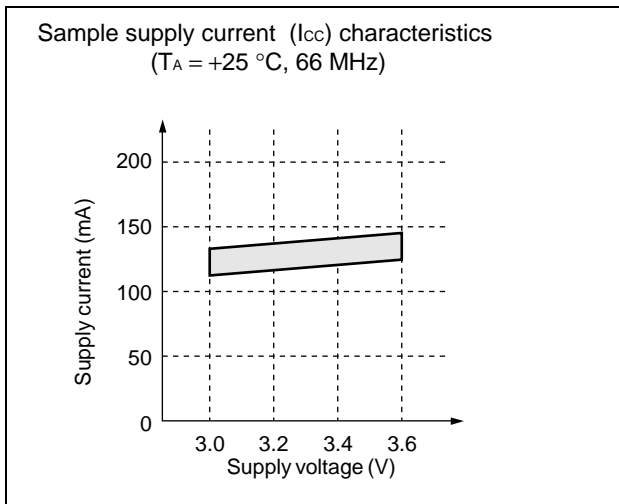
(1) Sample output voltage characteristics ($T_A = +25\text{ }^\circ\text{C}$)



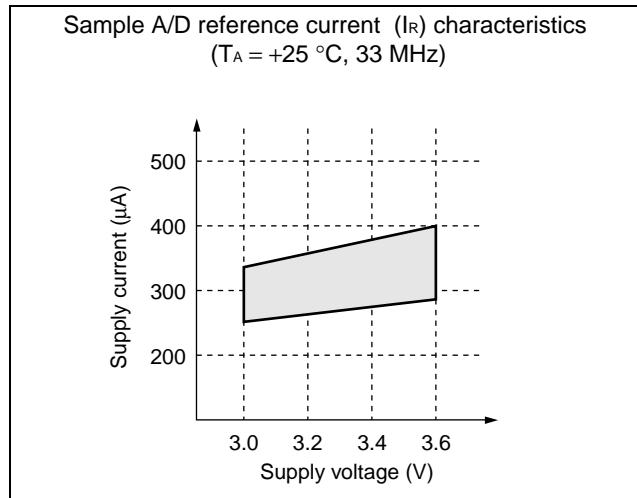
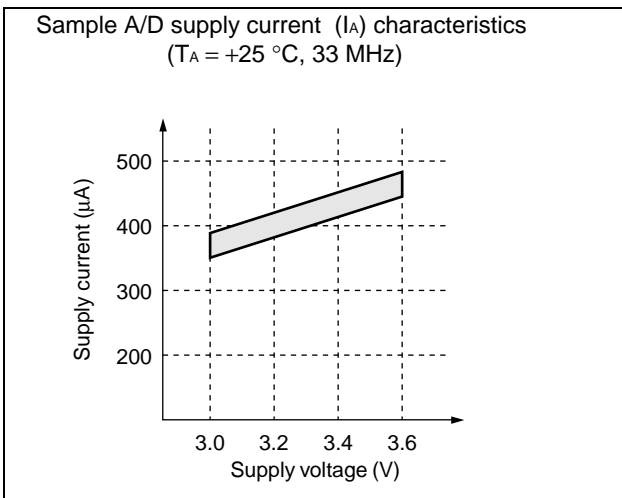
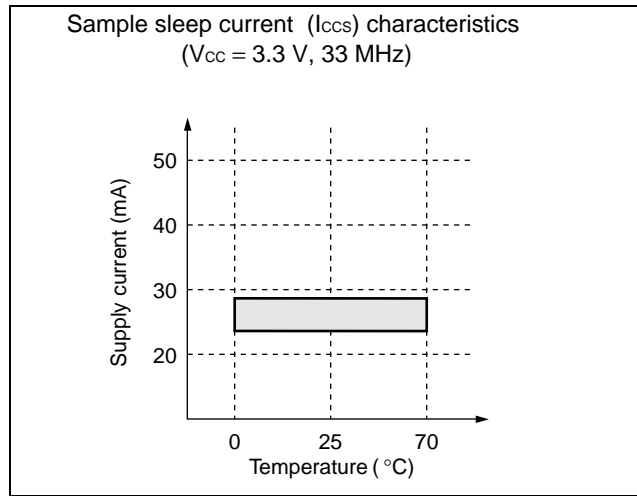
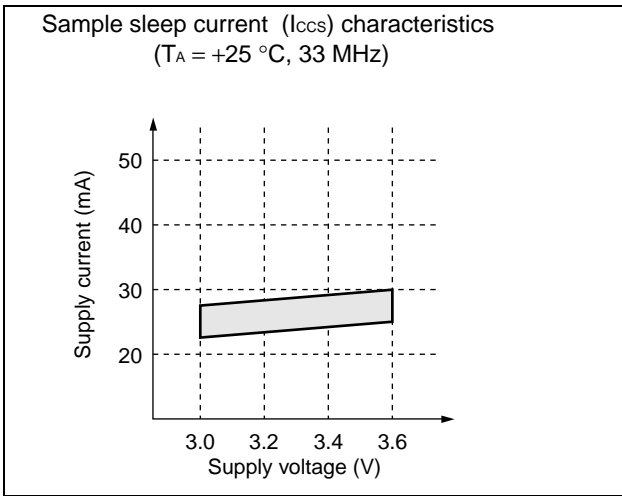
(2) Sample input voltage characteristics ($T_A = +25\text{ }^\circ\text{C}$)



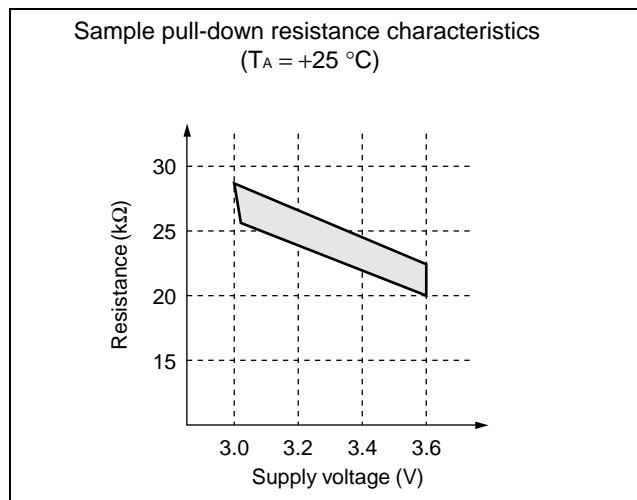
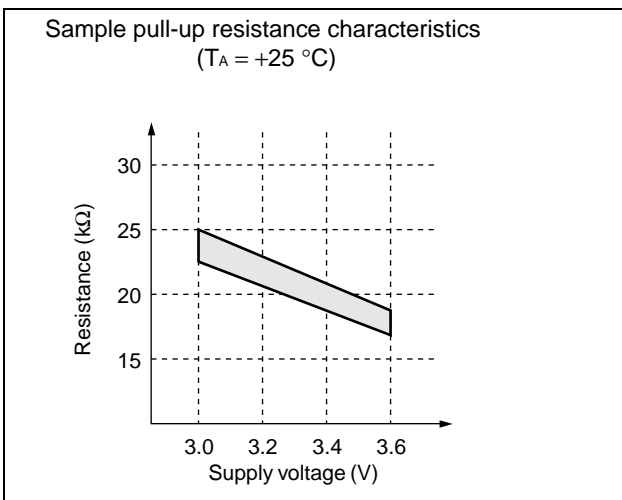
(3) Sample supply current characteristics



(Continued)



(4) Port resistance characteristics



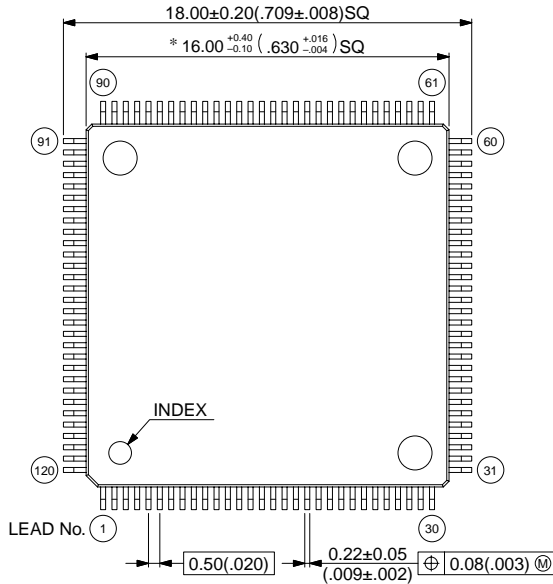
MB91307 Series

■ ORDERING INFORMATION

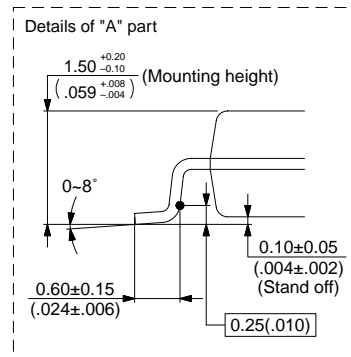
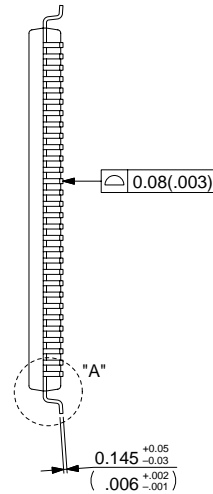
Part number	Package	Remarks
MB91306RPFV MB91307RPFV	120-pin, Plastic LQFP (FPT-120P-M21)	Lead-free package
MB91V307RCR	135-pin, Ceramic PGA (PGA-135C-A02)	For development tool use

■ PACKAGE DIMENSION

120-pin, Plastic LQFP
(FPT-120P-M21)



- Note 1) * : These dimensions do not include resin protrusion.
Resin protrusion is $+0.25$ (.010) MAX(each side).
Note 2) Pins width and pins thickness include plating thickness.
Note 3) Pins width do not include tie bar cutting remainder.



© 2002 FUJITSU LIMITED F120033S-c-4-4

Dimensions in mm (inches)

Note : The values in parentheses are reference values.

FUJITSU LIMITED

All Rights Reserved.

The contents of this document are subject to change without notice. Customers are advised to consult with FUJITSU sales representatives before ordering.

The information, such as descriptions of function and application circuit examples, in this document are presented solely for the purpose of reference to show examples of operations and uses of Fujitsu semiconductor device; Fujitsu does not warrant proper operation of the device with respect to use based on such information. When you develop equipment incorporating the device based on such information, you must assume any responsibility arising out of such use of the information. Fujitsu assumes no liability for any damages whatsoever arising out of the use of the information.

Any information in this document, including descriptions of function and schematic diagrams, shall not be construed as license of the use or exercise of any intellectual property right, such as patent right or copyright, or any other right of Fujitsu or any third party or does Fujitsu warrant non-infringement of any third-party's intellectual property right or other right by using such information. Fujitsu assumes no liability for any infringement of the intellectual property rights or other rights of third parties which would result from the use of information contained herein.

The products described in this document are designed, developed and manufactured as contemplated for general use, including without limitation, ordinary industrial use, general office use, personal use, and household use, but are not designed, developed and manufactured as contemplated (1) for use accompanying fatal risks or dangers that, unless extremely high safety is secured, could have a serious effect to the public, and could lead directly to death, personal injury, severe physical damage or other loss (i.e., nuclear reaction control in nuclear facility, aircraft flight control, air traffic control, mass transport control, medical life support system, missile launch control in weapon system), or (2) for use requiring extremely high reliability (i.e., submersible repeater and artificial satellite).

Please note that Fujitsu will not be liable against you and/or any third party for any claims or damages arising in connection with above-mentioned uses of the products.

Any semiconductor devices have an inherent chance of failure. You must protect against injury, damage or loss from such failures by incorporating safety design measures into your facility and equipment such as redundancy, fire protection, and prevention of over-current levels and other abnormal operating conditions.

If any products described in this document represent goods or technologies subject to certain restrictions on export under the Foreign Exchange and Foreign Trade Law of Japan, the prior authorization by Japanese government will be required for export of those products from Japan.

F0502
© 2005 FUJITSU LIMITED Printed in Japan