

# 32-bit RISC Microcontroller

CMOS

## FR50 Family MB91360G Series

# MB91FV360GA/F362GA/F369GA

### ■ DESCRIPTION

The Fujitsu MB91360G series is a standard microcontroller containing a wide range of I/O peripherals and bus control functions. The MB91360G series features a 32-bit RISC CPU (FR50 series) core and is suitable for embedded control applications requiring high-performance and high-speed CPU processing. The MB91360G series also contains up to 4 Kbytes instruction cache memory and other internal memories to improve the execution speed of the CPU.

### ■ FEATURES

- Execution time : down to 15.6 ns (64 MHz)
- FR50 series CPU : RISC architecture

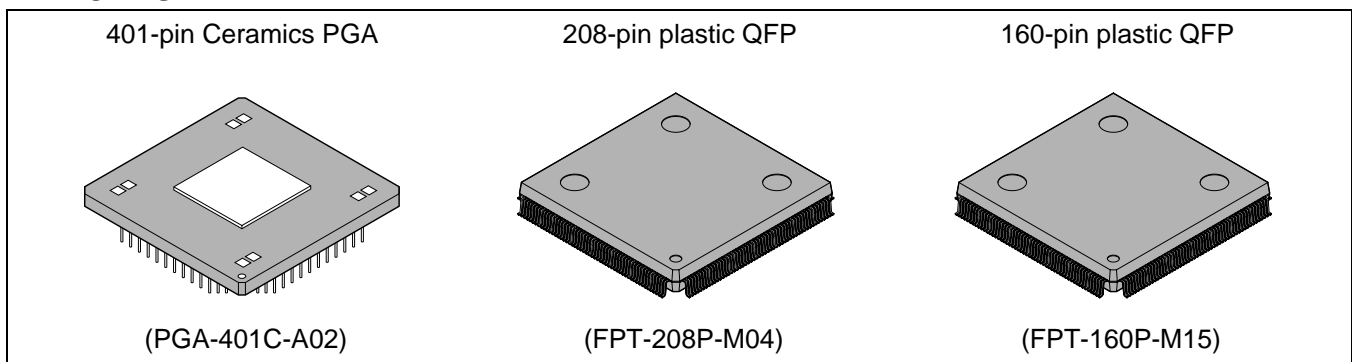
The CPU has a general-purpose register architecture with improved numeric implementation whereby a wide range of delayed branch instructions reduces losses in execution time due to pipeline breaks.

Bit manipulation instructions and memory access instructions have been enhanced resulting in improved code efficiency and execution speed for control implementation.

- A five-stage pipeline structure provides high-speed processing (one instruction per cycle)
- 32-bit linear address space : 4 Gbytes
- Fixed 16-bit instruction size (basic instructions)
- High-speed multiplication/step division
- High-speed interrupt processing (6 cycles)
- General-purpose registers : 16 × 32 bits

(Continued)

### ■ PACKAGE



# MB91360G Series

(Continued)

- **External bus interface unit with a wide range of functions**

Divides the external memory space into a maximum of eight areas. Chip select signal setting, data bus width selection (8, 16, 32-bit) , and area size can be specified for each area.

- Address bus up to 32 bit wide
- Programmable auto-wait function

- **Internal instruction cache**

The MB91360G series contains up to 4-Kbyte instruction cache to improve the execution speed of external programs.

- Two-way set associative caching

- **DMAC**

Direct memory access (DMA) can be used to perform various types of data transfer without going via the CPU. This improves system performance.

- Eight channels (including up to 3 external channels)
- Three transfer modes supported : single/block, burst, continuous transfer

- **Power consumption control mechanisms**

The MB91360G series contains a number of functions for controlling the operating clock to reduce power consumption.

- Software control : Sleep and stop/real time clock functions
- Hardware control : Hardware standby function
- Gear (divider) function : The CPU and peripheral clock frequencies can be set independently.

- **Contains a range of peripheral functions**

- UART, U-timer
- Real Time Clock (with optional subclock operation and subclock calibration module)
- Stepper Motor Control
- Sound Generator
- Serial IO (SIO) , SIO-Prescaler
- Power Down Reset
- Alarm Comparator
- IO-Timer
- I<sup>2</sup>C Interface
- 10 Bit D/A Converter
- CAN Interface
- 10-bit A/D converter
- 16-bit reload timer
- 16-bit PWM timer
- Watchdog timer
- Bit search module
- Interrupt controller
- External interrupt inputs
- I/O port function

- **Interrupt levels**

“16 maskable interrupt levels”

- **Other**

- Power supply voltage
- 5 V power supply used, the internal regulator creates internal supply of 3.3 V
- Package : MB91FV360GA uses a PGA401 package, MB91F362GA is delivered in a QFP208 package, and MB91F369GA in QFP160 package.

# MB91360G Series

## ■ PRODUCT LINEUP

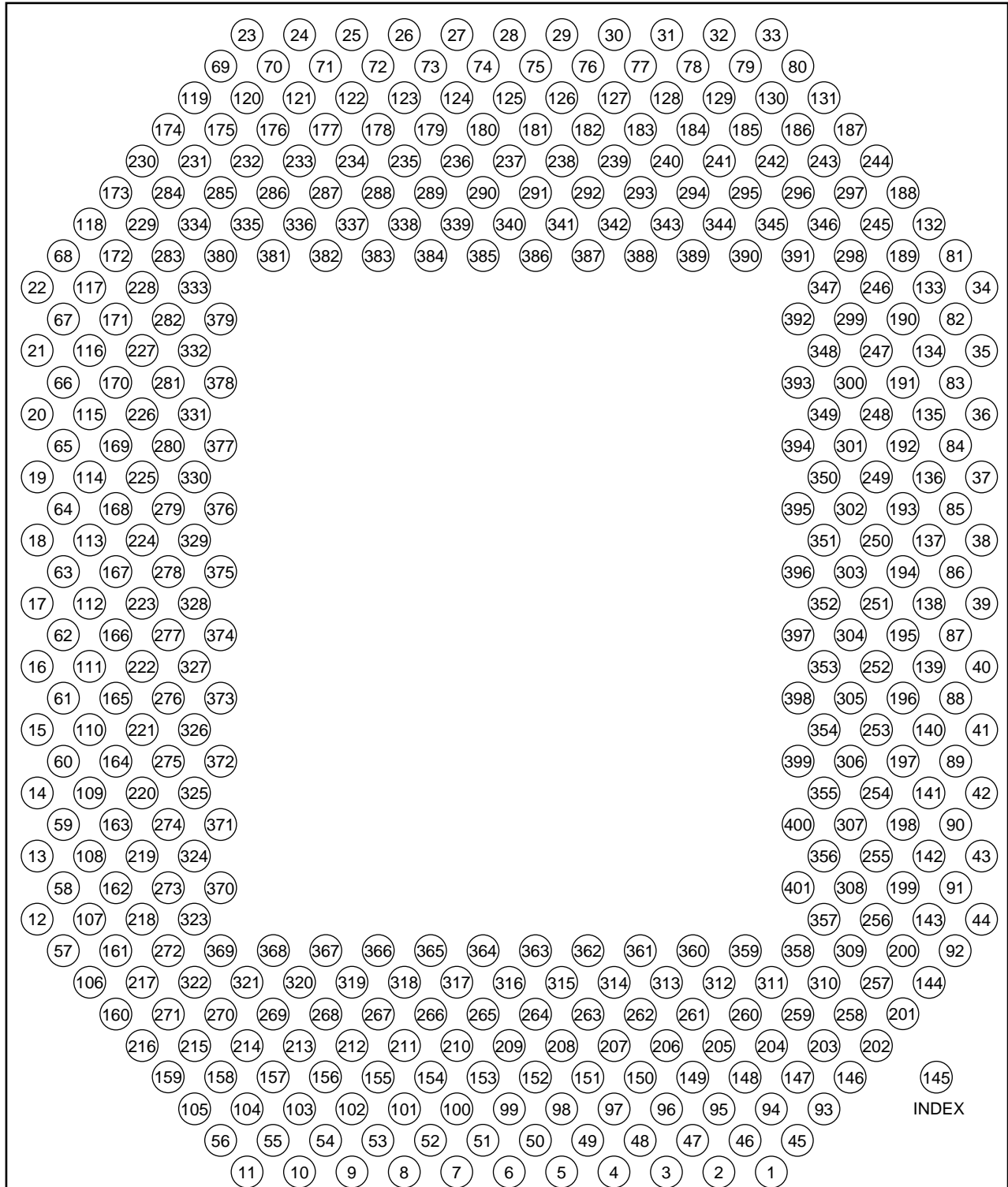
Resource Channels Memory Size	MB91FV360GA	MB91F362GA	MB91F369GA
Cache/Instruction RAM	4 KB / 4 KB	- / 4 KB	- / 4 KB
D-bus RAM	16 KB	12 KB	16 KB
F-bus RAM	16 KB	4 KB	16 KB
Flash/ROM	512 KB on F-bus	512 KB on F-bus	512 KB on F-bus
Boot ROM	2 KB	2 KB	2 KB
CAN	4 ch	3 ch	2 ch
Stepper Motor Control	4 ch	4 ch	—
Sound Generator	1 ch	1 ch	1 ch
PPG	8 ch	8 ch	4 ch
Input Capture	4 ch	4 ch	—
Output Compare	4 ch	4 ch	—
Free Running Timer	2 ch	2 ch	—
D/A Converter	2 ch	2 ch	—
A/D Converter	16 ch	16 ch	10 ch
I <sup>2</sup> C 100 kHz I <sup>2</sup> C 400 kHz	1 ch	1 ch	1 ch
Alarm Comparator	1 ch	1 ch	1 ch
SIO/SIO prescaler	2 ch	2 ch	2 ch
UART/U-Timer	3 ch	3 ch	1 ch
16-bit Reload Timer	6 ch	6 ch	6 ch
Ext. Interrupt	8 ch	8 ch	8 ch
Non maskable Interrupt	1	—	—
Real Time Clock	1	1	1
32 kHz subclock option for RTC	yes	no	no
subclock calibration	yes	no	no
LED port	8 bit	8 bit	—
Power down Reset	1	1	1
Bit search Module	1	1	1
Watchdog timer	1	1	1
Ext. Address Bus	32 bit	21 bit	up to 24 bit
Ext. Data Bus	32 bit	32 bit	32 bit
Ext. DMA	3 ch	1 ch	1 ch
Max operating frequency	64 MHz	64 MHz	64 MHz

# MB91360G Series

## ■ PIN ASSIGNMENTS

### ● MB91FV360GA

(BOTTOM VIEW)

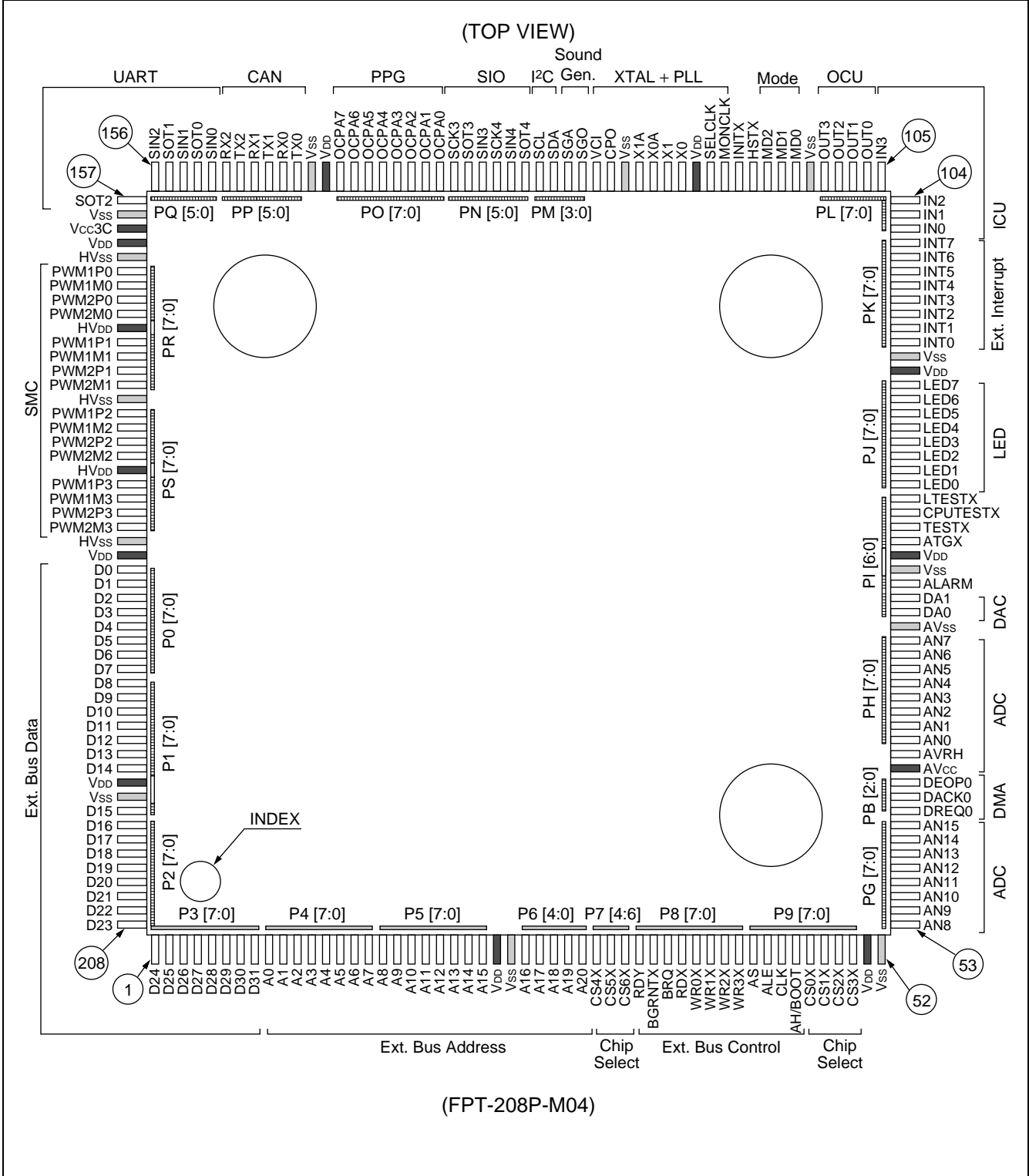


(PGA-401C-A02)

www.DataSheet4U.com

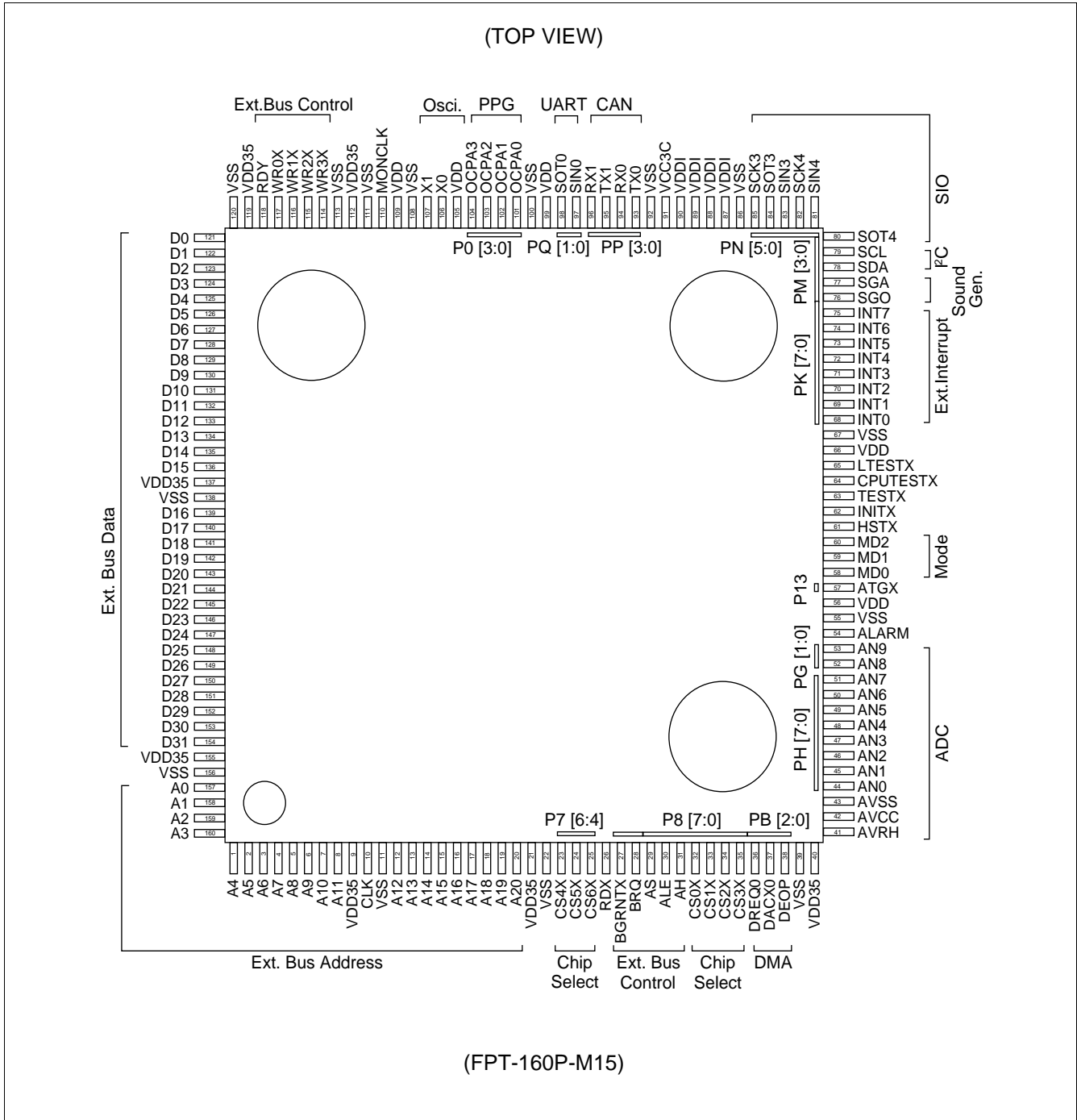
# MB91360G Series

• MB91F362GA



# MB91360G Series

## • MB91F369GA



## ■ PIN DESCRIPTIONS

- MB91FV360GA I/O Pins and Their Functions

Pin No.	Pin Name	I/O	General Purpose IO Port	Circuit Type	Function
1	D18	I/O	—	Q	Ext. Bus Data Bit 18
2	D11	I/O	—	Q	Ext. Bus Data Bit 11
3	D2	I/O	—	Q	Ext. Bus Data Bit 2
4	not connected				
5	HVSS	—	—	—	—
6	HVDD5B	—	—	—	—
7	PWM2M1	I/O	PR7	M	SMC 1
8	PWM1M1	I/O	PR5	K	SMC 1
9	PWM1P0	I/O	PR0	K	SMC 0
10	VDD5R	—	—	—	—
11	VDD5P	—	—	—	—
12	SCK4	I/O	PN2	A	SIO Clock
13	VDD5J	—	—	—	—
14	EXRAM	I	—	P	Trace Control
15	TWRX	O	—	X	Trace Control
16	TAD9	O	—	X	Trace Address
17	TAD5	O	—	X	Trace Address
18	TAD3	O	—	X	Trace Address
19	TDT68	I/O	—	W	Trace Data
20	TDT63	I/O	—	W	Trace Data
21	TDT57	I/O	—	W	Trace Data
22	TDT49	I/O	—	W	Trace Data
23	TDT23	I/O	—	W	Trace Data
24	TDT16	I/O	—	W	Trace Data
25	TDT7	I/O	—	W	Trace Data
26	TDT2	I/O	—	W	Trace Data
27	ICD0	I/O	—	N	ICE Data
28	ICLK	I/O	—	L	ICE Clock
29	X0	—	—	H	4 MHz Oscillator Pin
30	INTX	I	—	U	Initial Pin
31	MD1	I	—	T	Mode Pin 1
32	IN3	I/O	PL3	A	ICU Input 3
33	INT3	I/O	PK3	A	Ext. Interrupt 3

(Continued) [www.DataSheet4U.com](http://www.DataSheet4U.com)

# MB91360G Series

Pin No.	Pin Name	I/O	General Purpose IO Port	Circuit Type	Function
34	AN3	I/O	PH3	B	ADC Input 3
35	DACK2	I/O	PB6	A	DMA Acknowledge 2
36	AN13	I/O	PG5	B	ADC Input 13
37	AN8	I/O	PG0	B	ADC Input 8
38	ALE	I/O	P91	A	Ext. Bus Control
39	WR1X	I/O	P85	S	Ext. Bus Control
40	RDX	I/O	P83	S	Ext. Bus Control
41	CS7X	I/O	—	A	Chip Select 7 (CANs)
42	A26	I/O	—	Q	Ext. Bus Address Bit 26
43	A20	I/O	—	Q	Ext. Bus Address Bit 20
44	A12	I/O	—	Q	Ext. Bus Address Bit 12
45	D21	I/O	—	Q	Ext. Bus Data Bit 21
46	D16	I/O	—	Q	Ext. Bus Data Bit 16
47	D13	I/O	—	Q	Ext. Bus Data Bit 13
48	D7	I/O	—	Q	Ext. Bus Data Bit 7
49	D3	I/O	—	Q	Ext. Bus Data Bit 3
50	VSS	—	—	—	—
51	PWM2P2	I/O	PS2	K	SMC 2
52	PWM2P1	I/O	PR6	K	SMC 1
53	PWM1P1	I/O	PR4	K	SMC 1
54	not connected				
55	SIN1	I/O	PQ2	A	UART 1 Input
56	TX3	I/O	PP6	Q	CAN 3 TX
57	SOT3	I/O	PN4	A	SIO Output
58	SOT4	I/O	PN0	A	SIO Output
59	not connected				
60	not connected				
61	SGO	I/O	PM0	A	Sound Generator SGO
62	TOEX	O	—	X	Trace Control
63	TAD8	O	—	X	Trace Address
64	TAD2	O	—	X	Trace Address
65	TDT67	I/O	—	W	Trace Data
66	TDT60	I/O	—	W	Trace Data

(Continued)



# MB91360G Series

Pin No.	Pin Name	I/O	General Purpose IO Port	Circuit Type	Function
67	TDT54	I/O	—	W	Trace Data
68	TDT48	I/O	—	W	Trace Data
69	TDT26	I/O	—	W	Trace Data
70	TDT21	I/O	—	W	Trace Data
71	TDT18	I/O	—	W	Trace Data
72	TDT12	I/O	—	W	Trace Data
73	TDT8	I/O	—	W	Trace Data
74	TDT3	I/O	—	W	Trace Data
75	ICS2	O	—	G	ICE Status
76	VDD5F	—	—	—	—
77	RSTX	I	—	E	Reset Pin
78	OUT2	I/O	PL6	A	OCU Output 2
79	IN0	I/O	PL0	A	ICU Input 0
80	INT2	I/O	PK2	A	Ext. Interrupt 2
81	AN6	I/O	PH6	B	ADC Input 6
82	AN1	I/O	PH1	B	ADC Input 1
83	AVCC	—	—	—	Analog VCC
84	DEOP0	I/O	PB2	A	DMA EOP 0
85	AN14	I/O	PG6	B	ADC Input 14
86	AN9	I/O	PG1	B	ADC Input 9
87	AS	I/O	P90	A	Ext. Bus Control
88	BRQ	I/O	P82	A	Ext. Bus Control
89	CS6X	I/O	P76	A	Chip Select 6
90	A23	I/O	—	Q	Ext. Bus Address Bit 23
91	A17	I/O	—	Q	Ext. Bus Address Bit 17
92	A11	I/O	—	Q	Ext. Bus Address Bit 11
93	D27	I/O	—	Q	Ext. Bus Data Bit 27
94	D22	I/O	—	Q	Ext. Bus Data Bit 22
95	D17	I/O	—	Q	Ext. Bus Data Bit 17
96	D6	I/O	—	Q	Ext. Bus Data Bit 16
97	VDD5S	—	—	—	—
98	PWM1M3	I/O	PS5	K	SMC 3
99	PWM2M3	I/O	PS7	M	SMC 3
100	HVDD5A		—	—	—

(Continued)  
www.DataSheet4U.com

# MB91360G Series

Pin No.	Pin Name	I/O	General Purpose IO Port	Circuit Type	Function
101	PWM2P0	I/O	PR2	K	SMC0
102	VCC3/C	—	—	C	Bypass Capacitor Pin
103	SOT1	I/O	PQ3	A	UART 1 Output
104	SIN0	I/O	PQ0	A	UART 0 Input
105	TX1	I/O	PP2	Q	CAN 1 TX
106	OCPA2	I/O	PO2	A	PPG Output
107	SCK3	I/O	PN5	A	SIO Clock
108	SIN4	I/O	PN1	A	SIO Input
109	SCL	I/O	PM3	Y	I <sup>2</sup> C SCL
110	TCLK	I/O	—	W	Trace Control
111	TAD12	O	—	X	Trace Address
112	TAD15	O	—	X	Trace Address
113	TAD1	O	—	X	Trace Address
114	TDT65	I/O	—	W	Trace Data
115	TDT59	I/O	—	W	Trace Data
116	TDT55	I/O	—	W	Trace Data
117	TDT51	I/O	—	W	Trace Data
118	TDT42	I/O	—	W	Trace Data
119	TDT32	I/O	—	W	Trace Data
120	TDT27	I/O	—	W	Trace Data
121	TDT22	I/O	—	W	Trace Data
122	TDT11	I/O	—	W	Trace Data
123	TDT4	I/O	—	W	Trace Data
124	ICD3	I/O	—	N	ICE Data
125	TDT1	I/O	—	W	Trace Data
126	SELCLK	I	—	F	Clock Selection
127	NMIX	I	—	E	Non maskable Interrupt
128	OUT1	I/O	PL5	A	OCU Output 1
129	IN1	I/O	PL1	A	ICU Input 1
130	INT5	I/O	PK5	A	Ext. Interrupt 5
131	LED4	I/O	PJ4	J	LED Port 4
132	ALARM	I	—	D	Alarm Comparator Input
133	AN7	I/O	PH7	B	ADC Input 7
134	AN2	I/O	PH2	B	ADC Input 2

(Continued)  
www.DataSheet4U.com

# MB91360G Series

Pin No.	Pin Name	I/O	General Purpose IO Port	Circuit Type	Function
135	DACK0	I/O	PB1	A	DMA acknowledge 0
136	AN10	I/O	PG2	B	ADC Input 10
137	CS0X	I/O	P94	A	Chip select 0
138	CS3X	I/O	P97	A	Chip select 3
139	BGRNTX	I/O	P81	A	Ext. Bus Control
140	CS4X	I/O	P74	A	Chip select 4
141	A22	I/O	—	Q	Ext. Bus Address Bit 22
142	A18	I/O	—	Q	Ext. Bus Address Bit 18
143	A14	I/O	—	Q	Ext. Bus Address Bit 14
144	A5	I/O	—	Q	Ext. Bus Address Bit 5
145	INDEX	—	—	—	—
146	D30	I/O	—	Q	Ext. Bus Data Bit 30
147	D26	I/O	—	Q	Ext. Bus Data Bit 26
148	D19	I/O	—	Q	Ext. Bus Data Bit 19
149	D10	I/O	—	Q	Ext. Bus Data Bit 10
150	D9	I/O	—	Q	Ext. Bus Data Bit 9
151	D5	I/O	—	Q	Ext. Bus Data Bit 5
152	PWM2M2	I/O	PS3	M	SMC 2
153	PWM1P3	I/O	PS4	K	SMC 3
154	PWM2M0	I/O	PR3	M	SMC 0
155	VSS	—	—	—	—
156	SOT2	I/O	PQ5	A	UART 2 Output
157	SOT0	I/O	PQ1	A	UART 0 Output
158	VDD50	—	—	—	—
159	OCPA7	I/O	PO7	A	PPG Output
160	OCPA5	I/O	PO5	A	PPG Output
161	OCPA1	I/O	PO1	A	PPG Output
162	VDD5K	—	—	—	—
163	X1A	O	—	I	32 kHz Oscillator Pin
164	X0A	I	—	I	32 kHz Oscillator Pin
165	SDA	I/O	PM2	Y	I <sup>2</sup> C SDA
166	TAD10	O	—	X	Trace Address
167	TAD11	O	—	X	Trace Address
168	TDT66	I/O	—	W	Trace Data

(Continued)  
www.DataSheet4U.com

# MB91360G Series

Pin No.	Pin Name	I/O	General Purpose IO Port	Circuit Type	Function
169	TDT61	I/O	—	W	Trace Data
170	TDT58	I/O	—	W	Trace Data
171	TDT52	I/O	—	W	Trace Data
172	TDT45	I/O	—	W	Trace Data
173	TDT39	I/O	—	W	Trace Data
174	TDT35	I/O	—	W	Trace Data
175	TDT31	I/O	—	W	Trace Data
176	TDT24	I/O	—	W	Trace Data
177	TDT15	I/O	—	W	Trace Data
178	TDT14	I/O	—	W	Trace Data
179	TDT10	I/O	—	W	Trace Data
180	ICD1	I/O	—	N	ICE Data
181	ICD2	I/O	—	N	ICE Data
182	HSTX	I	—	E	Hardware Standby
183	OUT3	I/O	PL7	A	OCU Output 3
184	OUT0	I/O	PL4	A	OCU Output 0
185	INT6	I/O	PK6	A	Ext. Interrupt 6
186	LED7	I/O	PJ7	J	LED Port 7
187	LED1	I/O	PJ1	J	LED Port 1
188	CPUTESTX	I	—	E	Test Input
189	DA1	O	—	C	DAC Output
190	AN4	I/O	PH4	B	ADC Input 4
191	DEOP1	I/O	PB5	A	DMA EOP 1
192	DACK1	I/O	PB4	A	DMA Acknowledge 1
193	DREQ0	I/O	PB0	A	DMA Request 0
194	CLK	I/O	P92	A	Ext. Bus Clock
195	AH/BOOT	I/O	P93	A	Ext. Bus Control/Boot Signal
196	CS5X	I/O	P75	A	Chip Select 5
197	A24	I/O	—	Q	Ext. Bus Address Bit 24
198	A21	I/O	—	Q	Ext. Bus Address Bit 21
199	A15	I/O	—	Q	Ext. Bus Address Bit 15
200	A8	I/O	—	Q	Ext. Bus Address Bit 8
201	A2	I/O	—	Q	Ext. Bus Address Bit 2
202	A0	I/O	—	Q	Ext. Bus Address Bit 0

(Continued)  
www.DataSheet4U.com

# MB91360G Series

Pin No.	Pin Name	I/O	General Purpose IO Port	Circuit Type	Function
203	D29	I/O	—	Q	Ext. Bus Address Bit 29
204	D25	I/O	—	Q	Ext. Bus Address Bit 25
205	D20	I/O	—	Q	Ext. Bus Address Bit 20
206	D15	I/O	—	Q	Ext. Bus Address Bit 15
207	D4	I/O	—	Q	Ext. Bus Address Bit 4
208	HVDD5C	—	—	—	—
209	PWM1M2	I/O	PS1	K	SMC2
210	PWM1P2	I/O	PS0	K	SMC2
211	PWM1M0	I/O	PR1	K	SMC0
212	SIN2	I/O	PQ4	A	UART 2 Input
213	RX3	I/O	PP7	Q	CAN 3 RX
214	VSS	—	—	—	—
215	RX0	I/O	PP1	Q	CAN 0 RX
216	VDD5N	—	—	—	—
217	OCPA4	I/O	PO4	A	PPG Output
218	OCPA0	I/O	PO0	A	PPG Output
219	SIN3	I/O	PN3	A	SIO Input
220	VSS	—	—	—	—
221	SGA	I/O	PM1	A	Sound Generator SGA
222	TAD13	O	—	X	Trace Address
223	TAD7	O	—	X	Trace Address
224	TAD6	O	—	X	Trace Address
225	TDT64	I/O	—	W	Trace Data
226	TDT56	I/O	—	W	Trace Data
227	TDT50	I/O	—	W	Trace Data
228	TDT44	I/O	—	W	Trace Data
229	TDT41	I/O	—	W	Trace Data
230	TDT37	I/O	—	W	Trace Data
231	TDT34	I/O	—	W	Trace Data
232	TDT30	I/O	—	W	Trace Data
233	TDT25	I/O	—	W	Trace Data
234	TDT20	I/O	—	W	Trace Data
235	TDT9	I/O	—	W	Trace Data
236	BREAK	I	—	O	ICE Break

(Continued)  
www.DataSheet4U.com

# MB91360G Series

Pin No.	Pin Name	I/O	General Purpose IO Port	Circuit Type	Function
237	ICS1	O	—	G	ICE Status
238	ICS0	O	—	G	ICE Status
239	MD2	I	—	T	Mode Pin 2
240	IN2	I/O	PL2	A	ICU Input 2
241	INT4	I/O	PK4	A	Ext. Interrupt 4
242	LED6	I/O	PJ6	J	LED Port 6
243	LED3	I/O	PJ3	J	LED Port 3
244	not connected				
245	TESTX	I	—	E	Test Input
246	DA0	O	—	C	DAC Output
247	AN5	I/O	PH5	B	ADC Input 5
248	AN0	I/O	PH0	B	ADC Input 0
249	AN15	I/O	PG7	B	ADC Input 15
250	CS1X	I/O	P95	A	Chip select 1
251	WR3X	I/O	P87	S	Ext. Bus Control
252	WR2X	I/O	P86	S	Ext. Bus Control
253	DREQ2	I/O	P73	A	DMA Request 2
254	A19	I/O	—	Q	Ext. Bus Address Bit 19
255	A13	I/O	—	Q	Ext. Bus Address Bit 13
256	A7	I/O	—	Q	Ext. Bus Address Bit 7
257	A4	I/O	—	Q	Ext. Bus Address Bit 4
258	D31	I/O	—	Q	Ext. Bus Data Bit 31
259	D28	I/O	—	Q	Ext. Bus Data Bit 28
260	D23	I/O	—	Q	Ext. Bus Data Bit 23
261	D14	I/O	—	Q	Ext. Bus Data Bit 14
262	D8	I/O	—	Q	Ext. Bus Data Bit 8
263	D1	I/O	—	Q	Ext. Bus Data Bit 1
264	D0	I/O	—	Q	Ext. Bus Data Bit 0
265	not connected				
266	HVSS	—	—	—	—
267	not connected				
268	VSS	—	—	—	—
269	RX2	I/O	PP5	Q	CAN 2 RX
270	RX1	I/O	PP3	Q	CAN 1 RX

(Continued)  
www.DataSheet4U.com

# MB91360G Series

Pin No.	Pin Name	I/O	General Purpose IO Port	Circuit Type	Function
271	VSS	—	—	—	—
272	OCPA3	I/O	PO3	A	PPG Output
273	VSS	—	—	—	—
274	not connected				
275	VDD5I	—	—	—	—
276	TADSCX	O	—	X	Trace Control
277	TCE1X	O	—	X	Trace Control
278	TAD4	O	—	X	Trace Address
279	TAD0	O	—	X	Trace Address
280	TDT62	I/O	—	W	Trace Data
281	TDT53	I/O	—	W	Trace Data
282	TDT47	I/O	—	W	Trace Data
283	TDT43	I/O	—	W	Trace Data
284	TDT36	I/O	—	W	Trace Data
285	TDT33	I/O	—	W	Trace Data
286	TDT28	I/O	—	W	Trace Data
287	TDT19	I/O	—	W	Trace Data
288	TDT13	I/O	—	W	Trace Data
289	TDT6	I/O	—	W	Trace Data
290	TDT5	I/O	—	W	Trace Data
291	X1	—	—	H	4 MHz Oscillator Pin
292	MONCLK	O	—	G	Clock Output for test purposes
293	MD0	I	—	T	Mode Pin 0
294	INT7	I/O	PK7	A	Ext. Interrupt 7
295	INT1	I/O	PK1	A	Ext. Interrupt 1
296	LED5	I/O	PJ5	J	LED Port 5
297	LTESTX	I	—	E	Test Input
298	ATGX	I/O	PI3	A	Analog Reference Low
299	AVRL	—	—	R	Analog Reference High
300	AVRH	—	—	R	DMA Request 1
301	DREQ1	I/O	PB3	A	ADC Input 12
302	AN12	I/O	PG4	B	ADC Input 11
303	AN11	I/O	PG3	B	Ext. Bus Control
304	WR0X	I/O	P84	S	Ext. Bus Control

(Continued)  
www.DataSheet4U.com

# MB91360G Series

Pin No.	Pin Name	I/O	General Purpose IO Port	Circuit Type	Function
305	RDY	I/O	—	S	Ext. Bus Control
306	A25	I/O	—	Q	Ext. Bus Address Bit 25
307	A16	I/O	—	Q	Ext. Bus Address Bit 16
308	A10	I/O	—	Q	Ext. Bus Address Bit 10
309	A6	I/O	—	Q	Ext. Bus Address Bit 6
310	A1	I/O	—	Q	Ext. Bus Address Bit 1
311	not connected				
312	D24	I/O	—	Q	Ext. Bus Data Bit 24
313	D12	I/O	—	Q	Ext. Bus Data Bit 12
314	not connected				
315	PWM2P3	I/O	PS6	K	SMC 3
316	HVSS	—	—	—	—
317	HVSS	—	—	—	—
318	not connected				
319	VDD5Q	—	—	—	—
320	TX2	I/O	PP4	Q	CAN 2 TX
321	TX0	I/O	PP0	Q	CAN 0 TX
322	OCPA6	I/O	PO6	A	PPG Output
323	VDD5M	—	—	—	—
324	VDD5L	—	—	—	—
325	not connected				
326	VDD5H	—	—	—	—
327	TAD14	O	—	X	Trace Address
328	VSS3	—	—	—	—
329	VSS3	—	—	—	—
330	not connected				
331	VDD3C	—	—	—	—
332	TDT46	I/O	—	W	Trace Data
333	TDT40	I/O	—	W	Trace Data
334	TDT38	I/O	—	W	Trace Data
335	VDD3B	—	—	—	—
336	TDT29	I/O	—	W	Trace Data
337	TDT17	I/O	—	W	Trace Data
338	VDD3A	—	—	—	—

(Continued)  
www.DataSheet4U.com



# MB91360G Series

Pin No.	Pin Name	I/O	General Purpose IO Port	Circuit Type	Function
339	TDT0	I/O	—	W	Trace Data
340	VSS	—	—	—	—
341	VSS	—	—	—	—
342	not connected				
343	VDD5E	—	—	—	—
344	INT0	I/O	PK0	A	Ext. Interrupt 0
345	LED2	I/O	PJ2	J	LED Port 2
346	LED0	I/O	PJ0	J	LED Port 0
347	VDD5D	—	—	—	—
348	AVSS	—	—	—	Analog VSS
349	DEOP2	I/O	PB7	A	DMA EOP 2
350	VDD5C	—	—	—	—
351	CS2X	I/O	P96	A	Chip select 2
352	VSS	—	—	—	—
353	VSS	—	—	—	—
354	VDD5B	—	—	—	—
355	not connected				
356	A9	I/O	—	Q	Ext. Bus Address Bit 9
357	A3	I/O	—	Q	Ext. Bus Address Bit 3
358	VSS	—	—	—	—
359	VSS	—	—	—	—
360	VDD5T	—	—	—	—
361	VSS	—	—	—	—
362	VSS	—	—	—	—
363	VSS	—	—	—	—
364	not connected				
365	HVSS	—	—	—	—
366	VSS	—	—	—	—
367	VSS	—	—	—	—
368	not connected				
369	VSS	—	—	—	—
370	VSS	—	—	—	—
371	not connected				
372	VSS	—	—	—	—

(Continued)  
www.DataSheet4U.com

# MB91360G Series

(Continued)

Pin No.	Pin Name	I/O	General Purpose IO Port	Circuit Type	Function
373	VSS	—	—	—	—
374	VSS	—	—	—	—
375	VDD3D	—	—	—	—
376	VSS3	—	—	—	—
377	VSS3	—	—	—	—
378	VSS3	—	—	—	—
379	not connected				
380	VSS3	—	—	—	—
381	VSS3	—	—	—	—
382	not connected				
383	VSS3	—	—	—	—
384	VSS3	—	—	—	—
385	VSS3	—	—	—	—
386	VDD5G	—	—	—	—
387	VSS	—	—	—	—
388	VSS	—	—	—	—
389	VSS	—	—	—	—
390	not connected				
391	VSS	—	—	—	—
392	VSS	—	—	—	—
393	not connected				
394	VSS	—	—	—	—
395	VSS	—	—	—	—
396	VSS	—	—	—	—
397	not connected				
398	VSS	—	—	—	—
399	VSS	—	—	—	—
400	VSS	—	—	—	—
401	VDD5A	—	—	—	—

# MB91360G Series

• MB91FV362GA I/O Pins and Their Functions

Pin No.	Pin Name	I/O	General Purpose IO Port	Circuit Type	Function
1	D24	I/O	—	Q	Ext. Bus Data Bit 24
2	D25	I/O	—	Q	Ext. Bus Data Bit 25
3	D26	I/O	—	Q	Ext. Bus Data Bit 26
4	D27	I/O	—	Q	Ext. Bus Data Bit 27
5	D28	I/O	—	Q	Ext. Bus Data Bit 28
6	D29	I/O	—	Q	Ext. Bus Data Bit 29
7	D30	I/O	—	Q	Ext. Bus Data Bit 30
8	D31	I/O	—	Q	Ext. Bus Data Bit 31
9	A0	I/O	—	Q	Ext. Bus Address Bit 0
10	A1	I/O	—	Q	Ext. Bus Address Bit 1
11	A2	I/O	—	Q	Ext. Bus Address Bit 2
12	A3	I/O	—	Q	Ext. Bus Address Bit 3
13	A4	I/O	—	Q	Ext. Bus Address Bit 4
14	A5	I/O	—	Q	Ext. Bus Address Bit 5
15	A6	I/O	—	Q	Ext. Bus Address Bit 6
16	A7	I/O	—	Q	Ext. Bus Address Bit 7
17	A8	I/O	—	Q	Ext. Bus Address Bit 8
18	A9	I/O	—	Q	Ext. Bus Address Bit 9
19	A10	I/O	—	Q	Ext. Bus Address Bit 10
20	A11	I/O	—	Q	Ext. Bus Address Bit 11
21	A12	I/O	—	Q	Ext. Bus Address Bit 12
22	A13	I/O	—	Q	Ext. Bus Address Bit 13
23	A14	I/O	—	Q	Ext. Bus Address Bit 14
24	A15	I/O	—	Q	Ext. Bus Address Bit 15
25	VDD35	—	—	—	Separated Ext. Bus VDD, 3.3 V or 5.0 V
26	VSS	—	—	—	—
27	A16	I/O	—	Q	Ext. Bus Address Bit 16
28	A17	I/O	—	Q	Ext. Bus Address Bit 17
29	A18	I/O	—	Q	Ext. Bus Address Bit 18
30	A19	I/O	—	Q	Ext. Bus Address Bit 19
31	A20	I/O	—	Q	Ext. Bus Address Bit 20
32	CS4X	I/O	P74	A	Chip select 4
33	CS5X	I/O	P75	A	Chip select 5

(Continued)

# MB91360G Series

Pin No.	Pin Name	I/O	General Purpose IO Port	Circuit Type	Function
34	CS6X	I/O	P76	A	Chip select 6
35	RDY	I/O	—	S	Ext. Bus Control
36	BGRNT	I/O	P81	A	Ext. Bus Control
37	BRQ	I/O	P82	A	Ext. Bus Control
38	RDX	I/O	—	S	Ext. Bus Control
39	WROX	I/O	—	S	Ext. Bus Control
40	WR1X	I/O	—	S	Ext. Bus Control
41	WR2X	I/O	—	S	Ext. Bus Control
42	WR3X	I/O	—	S	Ext. Bus Control
43	AS	I/O	P90	A	Ext. Bus Control
44	ALE	I/O	P91	A	Ext. Bus Control
45	CLK	I/O	—	A	Ext. Bus Clock
46	AH	I/O	P93	A	Ext. Bus Control Signal
47	CS0X	I/O	P94	A	Chip select 0
48	CS1X	I/O	P95	A	Chip select 1
49	CS2X	I/O	P96	A	Chip select 2
50	CS3X	I/O	P97	A	Chip select 3
51	VDD35	—	—	—	separated Ext. Bus VDD, 3.3 or 5.0 V
52	VSS	—	—	—	—
53	AN8	I/O	PG0	B	ADC Input 8
54	AN9	I/O	PG1	B	ADC Input 9
55	AN10	I/O	PG2	B	ADC Input 10
56	AN11	I/O	PG3	B	ADC Input 11
57	AN12	I/O	PG4	B	ADC Input 12
58	AN13	I/O	PG5	B	ADC Input 13
59	AN14	I/O	PG6	B	ADC Input 14
60	AN15	I/O	PG7	B	ADC Input 15
61	DREQ0	I/O	PB0	A	DMR Request 0
62	DACK0	I/O	PB1	A	DMA Acknowledge 0
63	DEOP0	I/O	PB2	A	DMA EOP 0
64	AVCC	—	—	—	Analog VCC
65	AVRH	—	—	R	Analog Reference High
66	AN0	I/O	PH0	B	ADC Input 0

(Continued)

# MB91360G Series

Pin No.	Pin Name	I/O	General Purpose IO Port	Circuit Type	Function
67	AN1	I/O	PH1	B	ADC Input 1
68	AN2	I/O	PH2	B	ADC Input 2
69	AN3	I/O	PH3	B	ADC Input 3
70	AN4	I/O	PH4	B	ADC Input 4
71	AN5	I/O	PH5	B	ADC Input 5
72	AN6	I/O	PH6	B	ADC Input 6
73	AN7	I/O	PH7	B	ADC Input 7
74	AVSS, AVRL	—	—	—	Analog VSS, Analog Reference Low
75	DA0	O	—	C	DAC Output
76	DA1	O	—	C	DAC Output
77	ALARM	I	—	D	Alarm Comparator Input
78	VSS	—	—	—	—
79	VDD	—	—	—	—
80	ATGX	I/O	PI3	A	ADC Trigger Input
81	TESTX	I	—	E	Test Input (should be connected to VDD)
82	CPUTESTX	I	—	E	Test Input (should be connected to VDD)
83	LTESTX	I	—	E	Test Input (should be connected to VDD)
84	LED0	I/O	PJ0	J	LED Port 0
85	LED1	I/O	PJ1	J	LED Port 1
86	LED2	I/O	PJ2	J	LED Port 2
87	LED3	I/O	PJ3	J	LED Port 3
88	LED4	I/O	PJ4	J	LED Port 4
89	LED5	I/O	PJ5	J	LED Port 5
90	LED6	I/O	PJ6	J	LED Port 6
91	LED7	I/O	PJ7	J	LED Port 7
92	VDD	—	—	—	—
93	VSS	—	—	—	—
94	INT0	I/O	PK0	A	Ext. Interrupt 0
95	INT1	I/O	PK1	A	Ext. Interrupt 1
96	INT2	I/O	PK2	A	Ext. Interrupt 2
97	INT3	I/O	PK3	A	Ext. Interrupt 3
98	INT4	I/O	PK4	A	Ext. Interrupt 4
99	INT5	I/O	PK5	A	Ext. Interrupt 5
100	INT6	I/O	PK6	A	Ext. Interrupt 6

www.DataSheet4U.com  
(Continued)

# MB91360G Series

Pin No.	Pin Name	I/O	General Purpose IO Port	Circuit Type	Function
101	INT7	I/O	PK7	A	Ext. Interrupt 7
102	IN0	I/O	PL0	A	ICU Input 0
103	IN1	I/O	PL1	A	ICU Input 1
104	IN2	I/O	PL2	A	ICU Input 2
105	IN3	I/O	PL3	A	ICU Input 3
106	OUT0	I/O	PL4	A	OCU Output 0
107	OUT1	I/O	PL5	A	OCU Output 1
108	OUT2	I/O	PL6	A	OCU Output 2
109	OUT3	I/O	PL7	A	OCU Output 3
110	VSS	—	—	—	—
111	MD0	I	—	T	Mode Pin 0
112	MD1	I	—	T	Mode Pin 1
113	MD2	I	—	T	Mode Pin 2
114	HSTX	I	—	E	Hardware Standby
115	INITX	I	—	U	Initial Pin
116	MONCLK	O	—	G	System Clock Output for evaluation purposes
117	SELCLK	I	—	F	Clock Selection, must be connected to VDD
118	VDD	—	—	—	—
119	X0	—	—	H	4 MHz Oscillator Pin
120	X1	—	—	H	4 MHz Oscillator Pin
121	X0A	I	—	I	reserved-must be connected to VSS
122	X1A	O	—	I	reserved-should be left open
123	VSS	—	—	—	—
124	CPO	—	—	C	reserved-should be left open
125	VCI	—	—	D	reserved-must be connected to VSS
126	SGO	I/O	PM0	A	Sound Generator SGO
127	SGA	I/O	PM1	A	Sound Generator SGA
128	SDA	I/O	PM2	Y	I <sup>2</sup> C SDA
129	SCL	I/O	PM3	Y	I <sup>2</sup> C SCL
130	SOT4	I/O	PN0	A	SIO Output
131	SIN4	I/O	PN1	A	SIO Input
132	SCK4	I/O	PN2	A	SIO Clock
133	SIN3	I/O	PN3	A	SIO Input
134	SOT3	I/O	PN4	A	SIO Output

www.DataSheet4U.com

(Continued)

# MB91360G Series

Pin No.	Pin Name	I/O	General Purpose IO Port	Circuit Type	Function
135	SCK3	I/O	PN5	A	SIO Clock
136	OCPA 0	I/O	PO0	A	PPG Output
137	OCPA 1	I/O	PO1	A	PPG Output
138	OCPA 2	I/O	PO2	A	PPG Output
139	OCPA 3	I/O	PO3	A	PPG Output
140	OCPA 4	I/O	PO4	A	PPG Output
141	OCPA 5	I/O	PO5	A	PPG Output
142	OCPA 6	I/O	PO6	A	PPG Output
143	OCPA 7	I/O	PO7	A	PPG Output
144	VDD	—	—	—	—
145	VSS	—	—	—	—
146	TX0	I/O	PP0	Q	CAN 0 TX
147	RX0	I/O	PP1	Q	CAN 0 RX
148	TX1	I/O	PP2	Q	CAN 1 TX
149	RX1	I/O	PP3	Q	CAN 1 RX
150	TX2	I/O	PP4	Q	CAN 2 TX
151	RX2	I/O	PP5	Q	CAN 2 RX
152	SIN0	I/O	PQ0	A	UART 0 Input
153	SOT0	I/O	PQ1	A	UART 0 Output
154	SIN1	I/O	PQ2	A	UART 1 Input
155	SOT1	I/O	PQ3	A	UART 1 Output
156	SIN2	I/O	PQ4	A	UART 2 Input
157	SOT2	I/O	PQ5	A	UART 2 Output
158	VSS	—	—	—	—
159	VCC3/C	—	—	C	Bypass Capacitor Pin
160	VDD	—	—	—	—
161	HVSS	—	—	—	—
162	PWM1P0	I/O	PR0	K	SMC 0
163	PWM1M0	I/O	PR1	K	SMC 0
164	PWM2P0	I/O	PR2	K	SMC 0
165	PWM2M0	I/O	PR3	M	SMC 0
166	HVDD	—	—	—	—
167	PWM1P1	I/O	PR4	K	SMC 1
168	PWM1M1	I/O	PR5	K	SMC 1

(Continued)  
www.DataSheet4U.com

# MB91360G Series

Pin No.	Pin Name	I/O	General Purpose IO Port	Circuit Type	Function
169	PWM2P1	I/O	PR6	K	SMC 1
170	PWM2M1	I/O	PR7	M	SMC 1
171	HVSS	—	—	—	—
172	PWM1P2	I/O	PS0	K	SMC 2
173	PWM1M2	I/O	PS1	K	SMC 2
174	PWM2P2	I/O	PS2	K	SMC 2
175	PWM2M2	I/O	PS3	M	SMC 2
176	HVDD	—	—	—	—
177	PWM1P3	I/O	PS4	K	SMC 3
178	PWM1M3	I/O	PS5	K	SMC 3
179	PWM2P3	I/O	PS6	K	SMC 3
180	PWM2M3	I/O	PS7	M	SMC 3
181	HVSS	—	—	—	—
182	VDD35	—	—	—	separated Ext. Bus VDD, 3.3 or 5.0 V
183	D0	I/O	—	Q	Ext. Bus Data Bit 0
184	D1	I/O	—	Q	Ext. Bus Data Bit 1
185	D2	I/O	—	Q	Ext. Bus Data Bit 2
186	D3	I/O	—	Q	Ext. Bus Data Bit 3
187	D4	I/O	—	Q	Ext. Bus Data Bit 4
188	D5	I/O	—	Q	Ext. Bus Data Bit 5
189	D6	I/O	—	Q	Ext. Bus Data Bit 6
190	D7	I/O	—	Q	Ext. Bus Data Bit 7
191	D8	I/O	—	Q	Ext. Bus Data Bit 8
192	D9	I/O	—	Q	Ext. Bus Data Bit 9
193	D10	I/O	—	Q	Ext. Bus Data Bit 10
194	D11	I/O	—	Q	Ext. Bus Data Bit 11
195	D12	I/O	—	Q	Ext. Bus Data Bit 12
196	D13	I/O	—	Q	Ext. Bus Data Bit 13
197	D14	I/O	—	Q	Ext. Bus Data Bit 14
198	VDD35	—	—	—	separated Ext. Bus VDD, 3.3 or 5.0 V
199	VSS	—	—	—	—
200	D15	I/O	—	Q	Ext. Bus Data Bit 15
201	D16	I/O	—	Q	Ext. Bus Data Bit 16
202	D17	I/O	—	Q	Ext. Bus Data Bit 17

(Continued)  
www.DataSheet4U.com



# MB91360G Series

(Continued)

Pin No.	Pin Name	I/O	General Purpose IO Port	Circuit Type	Function
203	D18	I/O	—	Q	Ext. Bus Data Bit 18
204	D19	I/O	—	Q	Ext. Bus Data Bit 19
205	D20	I/O	—	Q	Ext. Bus Data Bit 20
206	D21	I/O	—	Q	Ext. Bus Data Bit 21
207	D22	I/O	—	Q	Ext. Bus Data Bit 22
208	D23	I/O	—	Q	Ext. Bus Data Bit 23

Note : If pins VDD35 (25, 51, 182, 198) are connected to 3.3 V then the external bus interface (pins 1-52, 182-208) can be operated at 3.3 V levels.

# MB91360G Series

• MB91F369GA I/O Pins and Their Functions

Pin No.	Pin Name	I/O	General Purpose IO Port	Circuit Type	Function
1	A4	I/O	—	Q	Ext. Bus Address Bit 4
2	A5	I/O	—	Q	Ext. Bus Address Bit 5
3	A6	I/O	—	Q	Ext. Bus Address Bit 6
4	A7	I/O	—	Q	Ext. Bus Address Bit 7
5	A8	I/O	—	Q	Ext. Bus Address Bit 8
6	A9	I/O	—	Q	Ext. Bus Address Bit 9
7	A10	I/O	—	Q	Ext. Bus Address Bit 10
8	A11	I/O	—	Q	Ext. Bus Address Bit 11
9	VDD35	—	—	—	separated Ext. Bus VDD, 3.3 or 5.0 V
10	CLK	I/O	—	A	Ext. Bus Clock
11	VSS	—	—	—	—
12	A12	I/O	—	Q	Ext. Bus Address Bit 12
13	A13	I/O	—	Q	Ext. Bus Address Bit 13
14	A14	I/O	—	Q	Ext. Bus Address Bit 14
15	A15	I/O	—	Q	Ext. Bus Address Bit 15
16	A16	I/O	—	Q	Ext. Bus Address Bit 16
17	A17	I/O	—	Q	Ext. Bus Address Bit 17
18	A18	I/O	—	Q	Ext. Bus Address Bit 18
19	A19	I/O	—	Q	Ext. Bus Address Bit 19
20	A20	I/O	—	Q	Ext. Bus Address Bit 20
21	VDD35	—	—	—	separated Ext. Bus VDD, 3.3 or 5.0 V
22	VSS	—	—	—	—
23	CS4X	I/O	P74	A	Chip Select 4
24	CS5X	I/O	P75	A	Chip Select 5
25	CS6X	I/O	P76	A	Chip Select 6
26	RDX	I/O	—	S	Ext. Bus Control
27	BGRNTX	I/O	P81	A	Ext. Bus Control
28	BRQ	I/O	P82	A	Ext. Bus Control
29	AS	I/O	P90	A	Ext. Bus Control
30	ALE	I/O	P91	A	Ext. Bus Control
31	AH	I/O	P93	A	Ext. Bus Control Signal
32	CS0X	I/O	P94	A	Chip select 0
33	CS1X	I/O	P95	A	Chip select 1

(Continued)

# MB91360G Series

Pin No.	Pin Name	I/O	General Purpose IO Port	Circuit Type	Function
34	CS2X	I/O	P96	A	Chip select 2
35	CS3X	I/O	P97	A	Chip select 3
36	DREQ0	I/O	PB0	A	DMA Request 0
37	DACK0	I/O	PB1	A	DMA Acknowledge 0
38	DEOP0	I/O	PB2	A	DMA EOP 0
39	VSS	—	—	—	—
40	VDD35	—	—	—	separated Ext. Bus VDD, 3.3 or 5.0 V
41	AVRH	—	—	R	Analog Reference High
42	AVCC	—	—	—	Analog VCC
43	AVSS, AVRL	—	—	—	Analog VSS, Analog Reference Low
44	AN0	I/O	PH0	B	ADC Input 0
45	AN1	I/O	PH1	B	ADC Input 1
46	AN2	I/O	PH2	B	ADC Input 2
47	AN3	I/O	PH3	B	ADC Input 3
48	AN4	I/O	PH4	B	ADC Input 4
49	AN5	I/O	PH5	B	ADC Input 5
50	AN6	I/O	PH6	B	ADC Input 6
51	AN7	I/O	PH7	B	ADC Input 7
52	AN8	I/O	PG0	B	ADC Input 8
53	AN9	I/O	PG1	B	ADC Input 9
54	ALARM	I	—	D	Alarm Comparator Input
55	VSS	—	—	—	—
56	VDD	—	—	—	—
57	ATGX	I/O	P13	A	ADC Trigger Input
58	MD0	I	—	T	Mode Pin 0
59	MD1	I	—	T	Mode Pin 1
60	MD2	I	—	T	Mode Pin 2
61	HSTX	I	—	E	Hardware Standby
62	INITX	I	—	U	Initial Pin
63	TESTX	I	—	E	Test Input (should be connected to VDD)
64	CPUTESTX	I	—	E	Test Input (should be connected to VDD)
65	LTESTX	I	—	E	Test Input (should be connected to VDD)
66	VDD	—	—	—	—

www.DataSheet4U.com  
(Continued)

# MB91360G Series

Pin No.	Pin Name	I/O	General Purpose IO Port	Circuit Type	Function
67	VSS	—	—	—	—
68	INT0	I/O	PK0	A	Ext. Interrupt 0
69	INT1	I/O	PK1	A	Ext. Interrupt 1
70	INT2	I/O	PK2	A	Ext. Interrupt 2
71	INT3	I/O	PK3	A	Ext. Interrupt 3
72	INT4	I/O	PK4	A	Ext. Interrupt 4
73	INT5	I/O	PK5	A	Ext. Interrupt 5
74	INT6	I/O	PK6	A	Ext. Interrupt 6
75	INT7	I/O	PK7	A	Ext. Interrupt 7
76	SGO	I/O	PM0	A	Sound Generator SGO
77	SGA	I/O	PM1	A	Sound Generator SGA
78	SDA	I/O	PM2	Y	I <sup>2</sup> C SDA
79	SCL	I/O	PM3	Y	I <sup>2</sup> C SCL
80	SOT4	I/O	PN0	A	SIO Output
81	SIN4	I/O	PN1	A	SIO Input
82	SCK4	I/O	PN2	A	SIO Clock
83	SIN3	I/O	PN3	A	SIO Input
84	SOT3	I/O	PN4	A	SIO Output
85	SCK3	I/O	PN5	A	SIO Clock
86	VSS	—	—	—	—
87	VDDI	—	—	—	Supply voltage for internal regulator
88	VDDI	—	—	—	Supply voltage for internal regulator
89	VDDI	—	—	—	Supply voltage for internal regulator
90	VDDI	—	—	—	Supply voltage for internal regulator
91	VCC3C	—	—	—	Capacitor pin for internal regulator
92	VSS	—	—	—	—
93	TX0	I/O	PP0	Q	CAN 0 TX
94	RX0	I/O	PP1	Q	CAN 0 RX
95	TX1	I/O	PP2	Q	CAN 1 TX
96	RX1	I/O	PP3	Q	CAN 1 RX
97	SIN0	I/O	PQ0	A	UART 0 Input
98	SOT0	I/O	PQ1	A	UART 0 Output
99	VDD	—	—	—	—
100	VSS	—	—	—	—

(Continued)

# MB91360G Series

Pin No.	Pin Name	I/O	General Purpose IO Port	Circuit Type	Function
101	OCPA0	I/O	PO0	A	PPG Output
102	OCPA1	I/O	PO1	A	PPG Output
103	OCPA2	I/O	PO2	A	PPG Output
104	OCPA3	I/O	PO3	A	PPG Output
105	VDDX	—	—	—	—
106	X0	—	—	H	4 MHz Oscillator Pin
107	X1	—	—	H	4 MHz Oscillator Pin
108	VSS	—	—	—	—
109	VDD	—	—	—	—
110	MONCLK	O	—	Q1	System Clock Output
111	VSS	—	—	—	—
112	VDD35	—	—	—	separated Ext. Bus VDD, 3.3 or 5.0 V
113	VSS	—	—	—	—
114	WR3X	I/O	—	S	Ext. Bus Control
115	WR2X	I/O	—	S	Ext. Bus Control
116	WR1X	I/O	—	S	Ext. Bus Control
117	WR0X	I/O	—	S	Ext. Bus Control
118	RDY	I/O	—	S	Ext. Bus Control
119	VDD35	—	—	—	separated Ext. Bus VDD, 3.3 or 5.0 V
120	VSS	—	—	—	—
121	D0	I/O	—	Q	Ext. Bus Data Bit 0
122	D1	I/O	—	Q	Ext. Bus Data Bit 1
123	D2	I/O	—	Q	Ext. Bus Data Bit 2
124	D3	I/O	—	Q	Ext. Bus Data Bit 3
125	D4	I/O	—	Q	Ext. Bus Data Bit 4
126	D5	I/O	—	Q	Ext. Bus Data Bit 5
127	D6	I/O	—	Q	Ext. Bus Data Bit 6
128	D7	I/O	—	Q	Ext. Bus Data Bit 7
129	D8	I/O	—	Q	Ext. Bus Data Bit 8
130	D9	I/O	—	Q	Ext. Bus Data Bit 9
131	D10	I/O	—	Q	Ext. Bus Data Bit 10
132	D11	I/O	—	Q	Ext. Bus Data Bit 11
133	D12	I/O	—	Q	Ext. Bus Data Bit 12
134	D13	I/O	—	Q	Ext. Bus Data Bit 13

(Continued)  
www.DataSheet4U.com

# MB91360G Series

(Continued)

Pin No.	Pin Name	I/O	General Purpose IO Port	Circuit Type	Function
135	D14	I/O	—	Q	Ext. Bus Data Bit 14
136	D15	I/O	—	Q	Ext. Bus Data Bit 15
137	VDD35	—	—	—	separated Ext. Bus VDD, 3.3 or 5.0 V
138	VSS	—	—	—	—
139	D16	I/O	—	Q	Ext. Bus Data Bit 16
140	D17	I/O	—	Q	Ext. Bus Data Bit 17
141	D18	I/O	—	Q	Ext. Bus Data Bit 18
142	D19	I/O	—	Q	Ext. Bus Data Bit 19
143	D20	I/O	—	Q	Ext. Bus Data Bit 20
144	D21	I/O	—	Q	Ext. Bus Data Bit 21
145	D22	I/O	—	Q	Ext. Bus Data Bit 22
146	D23	I/O	—	Q	Ext. Bus Data Bit 23
147	D24	I/O	—	Q	Ext. Bus Data Bit 24
148	D25	I/O	—	Q	Ext. Bus Data Bit 25
149	D26	I/O	—	Q	Ext. Bus Data Bit 26
150	D27	I/O	—	Q	Ext. Bus Data Bit 27
151	D28	I/O	—	Q	Ext. Bus Data Bit 28
152	D29	I/O	—	Q	Ext. Bus Data Bit 29
153	D30	I/O	—	Q	Ext. Bus Data Bit 30
154	D31	I/O	—	Q	Ext. Bus Data Bit 31
155	VDD35	—	—	—	separated Ext. Bus VDD, 3.3 or 5.0 V
156	VSS	—	—	—	—
157	A0	I/O	—	Q	Ext. Bus Address Bit 0
158	A1	I/O	—	Q	Ext. Bus Address Bit 1
159	A2	I/O	—	Q	Ext. Bus Address Bit 2
160	A3	I/O	—	Q	Ext. Bus Address Bit 3

Note : If pins VDD35 (9, 21, 40, 112, 119, 137, 155) are connected to a 3.3 V supply the external bus interface (pins 1-40, 112-160) can be operated at 3.3 V levels.

## ■ I/O CIRCUIT TYPE

Type	Circuit type	Remarks
A		<ul style="list-style-type: none"> <li>I/O, CMOS Automotive Schmitt-Trigger Input, STOP control, <math>I_{OH} = 4 \text{ mA}</math>, <math>I_{OL} = 4 \text{ mA}</math></li> </ul>
B		<ul style="list-style-type: none"> <li>I/O, CMOS Automotive Schmitt-Trigger Input, Analog Input, STOP control, <math>I_{OH} = 4 \text{ mA}</math>, <math>I_{OL} = 4 \text{ mA}</math></li> </ul>
C		<ul style="list-style-type: none"> <li>Analog output</li> </ul>
D		<ul style="list-style-type: none"> <li>Analog Input</li> </ul>

# MB91360G Series

Type	Circuit type	Remarks
E		<ul style="list-style-type: none"> <li>• CMOS Schmitt-Trigger Input, Pullup Resistor: 50 kΩ</li> </ul>
F		<ul style="list-style-type: none"> <li>• CMOS Schmitt-Trigger Input</li> </ul>
G		<ul style="list-style-type: none"> <li>• Tristate Output, <math>I_{OH} = 4 \text{ mA}</math>, <math>I_{OL} = 4 \text{ mA}</math></li> </ul>
H		<ul style="list-style-type: none"> <li>• 4 MHz Oscillator Pin</li> </ul>

(Continued)



Type	Circuit type	Remarks
I		<ul style="list-style-type: none"> <li>• 32 kHz Oscillator Pin</li> </ul>
J		<ul style="list-style-type: none"> <li>• I/O, CMOS Automotive Schmitt-Trigger Input, STOP control (LED) , <math>I_{OH} = 14\text{ mA}</math>, <math>I_{OL} = 24\text{ mA}</math></li> </ul>
K		<ul style="list-style-type: none"> <li>• I/O, CMOS Automotive Schmitt-Trigger Input, STOP control (SMC) , <math>I_{OH} = 30\text{ mA}</math>, <math>I_{OL} = 30\text{ mA}</math></li> <li>• Typ slew rate of 40 ns</li> </ul>
L		<ul style="list-style-type: none"> <li>• I/O, CMOS Input: 5 V or 3 V input, <math>I_{OH} = 4\text{ mA}</math>, <math>I_{OL} = 4\text{ mA}</math></li> </ul>

# MB91360G Series

Type	Circuit type	Remarks
M		<ul style="list-style-type: none"> <li>I/O, CMOS Automotive Schmitt-Trigger Input, Analog Input, STOP control (SMC), <math>I_{OH} = 30 \text{ mA}</math>, <math>I_{OL} = 30 \text{ mA}</math></li> <li>Typ slew rate of 40 ns</li> </ul>
N		<ul style="list-style-type: none"> <li>I/O, CMOS Input, Pulldown Resistor: 50 k<math>\Omega</math>, 5 V or 3 V input, <math>I_{OH} = 4 \text{ mA}</math>, <math>I_{OL} = 4 \text{ mA}</math></li> </ul>
O		<ul style="list-style-type: none"> <li>CMOS Input, Pulldown Resistor: 50 k<math>\Omega</math>, 5 V or 3 V input</li> </ul>
P		<ul style="list-style-type: none"> <li>CMOS Input: 3 V input</li> </ul>

Type	Circuit type	Remarks
Q/Q1		<ul style="list-style-type: none"> <li>• Q : I/O CMOS Input, STOP control, <math>I_{OH} = 4 \text{ mA}</math>, <math>I_{OL} = 4 \text{ mA}</math></li> <li>• Q1 : I/O CMOS Input, STOP control, <math>I_{OH} = 8 \text{ mA}</math>, <math>I_{OL} = 8 \text{ mA}</math></li> </ul>
S		<ul style="list-style-type: none"> <li>• I/O, CMOS Schmitt-Trigger Input, STOP control, Pullup Resistor : <math>10 \text{ k}\Omega</math>, <math>I_{OH} = 4 \text{ mA}</math>, <math>I_{OL} = 4 \text{ mA}</math></li> </ul>
T		<ul style="list-style-type: none"> <li>• CMOS Input</li> <li>• can withstand high <math>V_{ID}</math> for flash programming</li> </ul>
U		<ul style="list-style-type: none"> <li>• CMOS Schmitt-Trigger Input, Pullup Resistor: <math>50 \text{ k}\Omega</math>, 3 V and 5 V input to the core</li> </ul>

# MB91360G Series

(Continued)

Type	Circuit type	Remarks
V		<ul style="list-style-type: none"> <li>I/O, CMOS Schmitt-Trigger Input, STOP control, Pullup Resistor: 50 kΩ,, <math>I_{OH} = 4 \text{ mA}</math>, <math>I_{OL} = 4 \text{ mA}</math></li> </ul>
W		<ul style="list-style-type: none"> <li>I/O, CMOS Input: 3 V input</li> </ul>
X		<ul style="list-style-type: none"> <li>Tristate Output, 3 V</li> </ul>
Y		<ul style="list-style-type: none"> <li>I/O CMOS Input, STOP control, <math>I_{OH} = 3 \text{ mA}</math>, <math>I_{OL} = 3 \text{ mA}</math>, in I<sup>2</sup>C mode operating as open drain outputs</li> </ul>

Note : Symbols used in circuit types (Common to all circuit diagrams)

P : P channel transistor

N : N channel transistor

R : Diffusion resistor

Circuit Type	Description
A	I/O, $I_{OH} = 4 \text{ mA}$ / $I_{OL} = 4 \text{ mA}$ , CMOS Automotive Schmitt-Trigger Input, STOP control
B	I/O, $I_{OH} = 4 \text{ mA}$ / $I_{OL} = 4 \text{ mA}$ , CMOS Automotive Schmitt-Trigger Input, Analog Input, STOP control
C	Analog Output
D	Analog Input
E	CMOS Schmitt-Trigger Input, Pull-up Resistor: $50 \text{ k}\Omega$ ,
F	CMOS Schmitt-Trigger Input
G	Tristate Output, $I_{OH} = 4 \text{ mA}$ / $I_{OL} = 4 \text{ mA}$
H	4 MHz Oscillator Pin
I	32 kHz Oscillator pin
J	I/O, $I_{OH} = 14 \text{ mA}$ / $I_{OL} = 24 \text{ mA}$ , CMOS Automotive Schmitt-Trigger Input, STOP control (LED)
K	I/O, $I_{OH} = 30 \text{ mA}$ / $I_{OL} = 30 \text{ mA}$ , CMOS Automotive Schmitt-Trigger Input, STOP control, slew rate improved for EMC (SMC)
L	I/O, $I_{OH} = 4 \text{ mA}$ / $I_{OL} = 4 \text{ mA}$ , CMOS Input: 5 V or 3 V input
M	I/O, $I_{OH} = 30 \text{ mA}$ / $I_{OL} = 30 \text{ mA}$ , CMOS Automotive Schmitt-Trigger Input, Analog Input, STOP control, slew rate improved for EMC (SMC)
N	I/O, $I_{OH} = 4 \text{ mA}$ / $I_{OL} = 4 \text{ mA}$ , CMOS Input : 5 V or 3 V input, Pulldown Resistor: $50 \text{ k}\Omega$
O	CMOS Input : 5 V or 3 V input, Pulldown Resistor: $50 \text{ k}\Omega$
P	CMOS Input: 3 V input
Q	I/O, $I_{OH} = 4 \text{ mA}$ / $I_{OL} = 4 \text{ mA}$ , CMOS Input, STOP control
Q1	I/O, $I_{OH} = 8 \text{ mA}$ / $I_{OL} = 8 \text{ mA}$ , CMOS Input, STOP control
R	AVRL / AVRH Input
S	I/O, $I_{OH} = 4 \text{ mA}$ / $I_{OL} = 4 \text{ mA}$ , CMOS Input, STOP control, Pull-up Resistor: $10 \text{ k}\Omega$ ,
T	CMOS Input, can withstand $V_{ID}$ for flash programming
U	CMOS Schmitt-Trigger Input, Pull-up Resistor: $50 \text{ k}\Omega$ , 3.3 V and 5 V inputs to core
W	I/O, $I_{OH} = 4 \text{ mA}$ / $I_{OL} = 4 \text{ mA}$ , CMOS Input: 3 V input
X	Tristate Output, $I_{OH} = 4 \text{ mA}$ / $I_{OL} = 4 \text{ mA}$ , 3 V
Y	I/O, $I_{OH} = 3 \text{ mA}$ / $I_{OL} = 3 \text{ mA}$ ( $I^2C$ ) , CMOS Input, STOP control

# MB91360G Series

## ■ HANDLING DEVICES

### 1. Preventing latch-up

Latch-up may occur in a CMOS IC if a voltage greater than  $V_{DD}$  or less than  $V_{SS}$  is applied to an input or output pin or if the voltage applied between  $V_{DD}$  and  $V_{SS}$  exceeds the rating. If latch-up occurs, the power supply current increases rapidly resulting in thermal damage to circuit elements. Therefore, ensure that maximum ratings are not exceeded in circuit operation.

### 2. Connecting unused pins

Leaving unused input pins open may result in misbehavior or latch up and possible permanent damage of the device. Therefore they must be tied to  $V_{DD}$  or  $V_{SS}$  through resistors. In this case those resistors should be more than 2 KOhm.

Unused bidirectional pins should be set to the output state and can be left open, or the input state with the above described connection.

The resistor of more than 2 KOhm is used to limit currents through the protection diodes. In case of voltages at the not used pin of 0.3 V or more below  $V_{SS}$  or 0.3 V or more above  $V_{DD}$  currents which could cause latch-up will flow through those diodes.

### 3. External reset input

When inputting an “L” level to the INITX pin, hold this low level at the INITX pin long enough so that after release of the low level at INITX and the passing of the built in waiting time stable oscillation of the oscillation circuit is achieved. INITX must be pulled low for at least 8 cycles of the 4 MHz oscillation clock.

### 4. Power supply pins

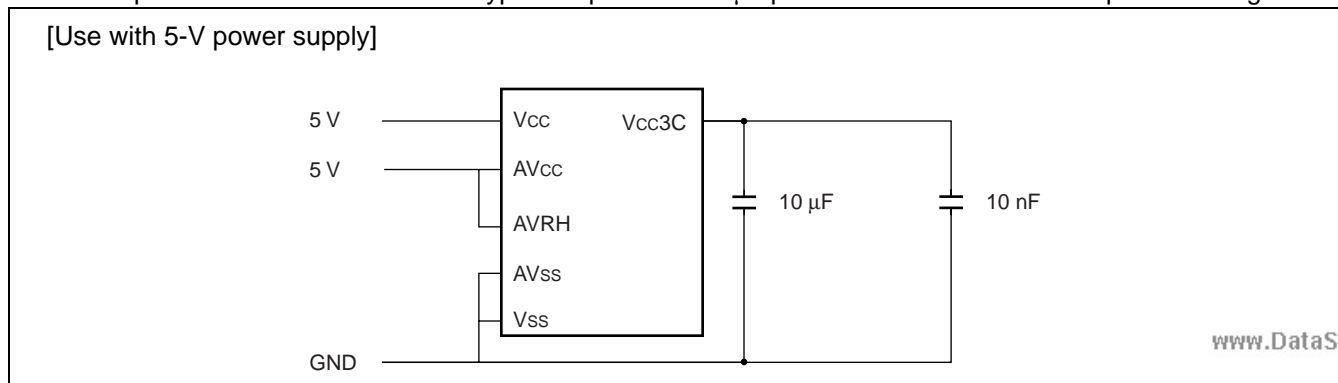
All  $V_{DD}$  pins should be connected to the same potential (exception can be the external bus interface on F362GA and F369GA) . The analogue supply voltage ( $AV_{CC}$ ) must not be turned on before the digital supply voltage. If the external bus interface is supplied with 3.3 V this voltage also must not be turned on before the 5 V digital voltage has been switched on. If the supply voltage to the external bus interface is switched off (it may not be tristate but should be pulled low) it must be made sure that all related signals do not have a voltage higher than this pulled down supply.

When multiple  $V_{DD}$  and  $V_{SS}$  pins are provided, be sure to connect all  $V_{DD}$  and  $V_{SS}$  pins to the power supply or ground externally. Although pins at the same potential are connected together in the internal device design so as to prevent malfunctions such as latch-up, connecting all  $V_{DD}$  and  $V_{SS}$  pins appropriately minimizes unwanted radiation, prevents malfunction of strobe signals due to increases in the ground level, and keeps the overall output current rating.

Also, take care to connect  $V_{DD}$  and  $V_{SS}$  to current source in the lowest possible impedance.

Connection of a ceramic bypass capacitor of approximately 0.1  $\mu\text{F}$  between  $V_{DD}$  and  $V_{SS}$  close to the device is recommended.

The MB91360G series contains a regulator. To use the device with the 5-V power supply, supply 5-V power to the  $V_{CC}$  pins and be sure to connect a bypass capacitor of 10  $\mu\text{F}$  parallel to 10 nF to the  $V_{CC3C}$  pin for the regulator.



## 5. Crystal oscillator circuit

Noise in the vicinity of the X0 and X1 pins can be a cause of device malfunction. Design the circuit board so that X0, X1, the crystal oscillator (or ceramic oscillator) , and the bypass capacitor to ground are located as close to the device as possible.

A printed circuit board design that surrounds the X0 and X1 pins with ground provides for stable operation and is strongly recommended.

## 6. Mode pins

Connect the mode pins (MD0 to MD2) directly to  $V_{DD}$  or  $V_{SS}$ .

To prevent the device unintentionally entering test mode due to noise, lay out the printed circuit board so as to minimize the distance from the mode pins to  $V_{DD}$  or  $V_{SS}$  and to provide a low-impedance connection.

## 7. Turning the power supply on

Immediately after power on always execute INIT at the INITX pin (start with a low level at the INITX pin) . Hold this low level at the INITX pin long enough so that after release of the low level at INITX and the passing of the built in waiting time stable oscillation of the oscillation circuit is achieved. INITX must be pulled low for at least 8 cycles of the 4 MHz oscillation clock.

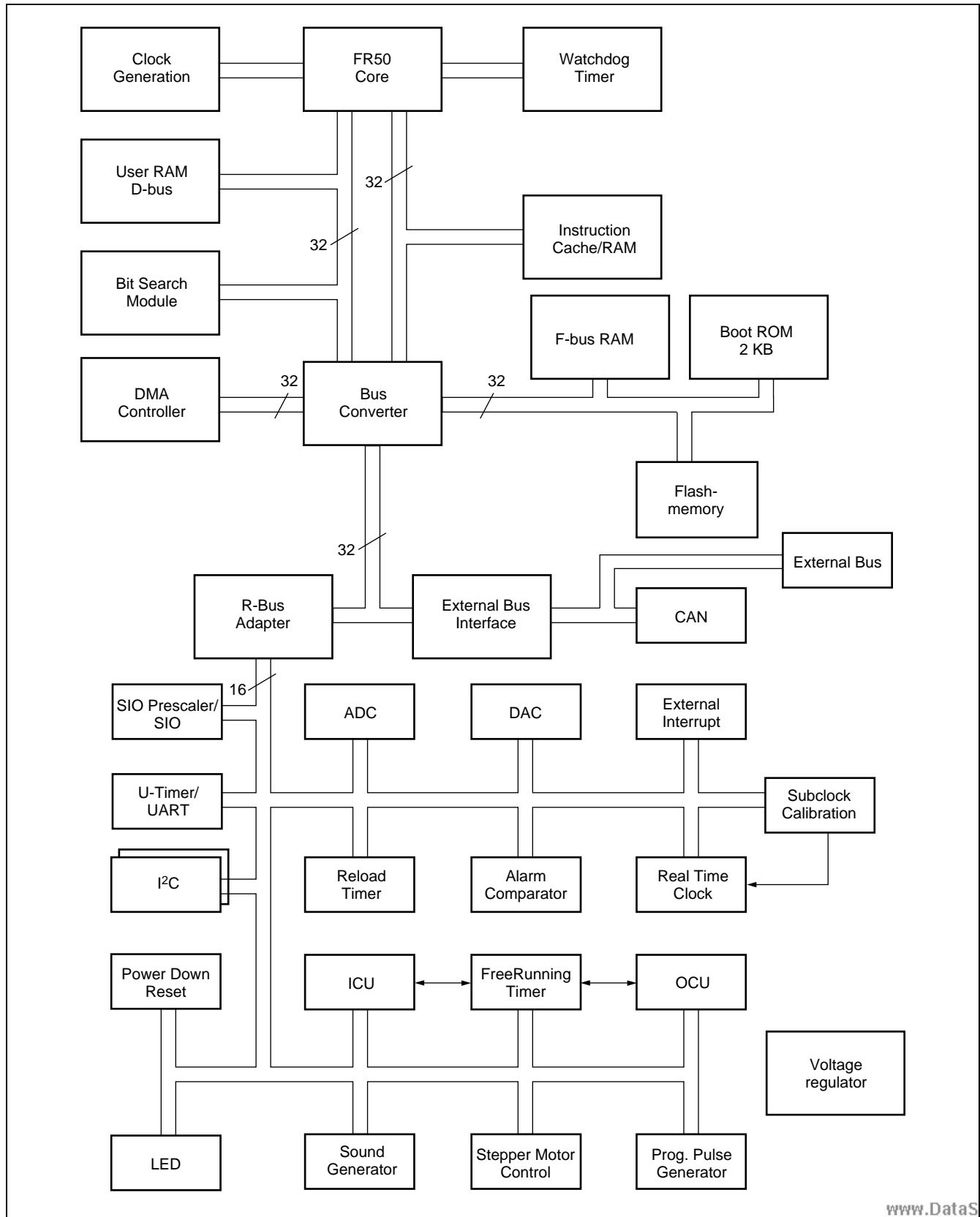
The analogue supply voltage ( $AV_{CC}$ ) must not be turned on before the digital supply voltage. If the external bus interface is supplied with 3.3 V this voltage also must not be turned on before the 5 V digital voltage has been switched on.

## 8. A state in turning power on

As long as the minimum operating voltage has not been reached during power-on the output pin levels are not guaranteed.

# MB91360G Series

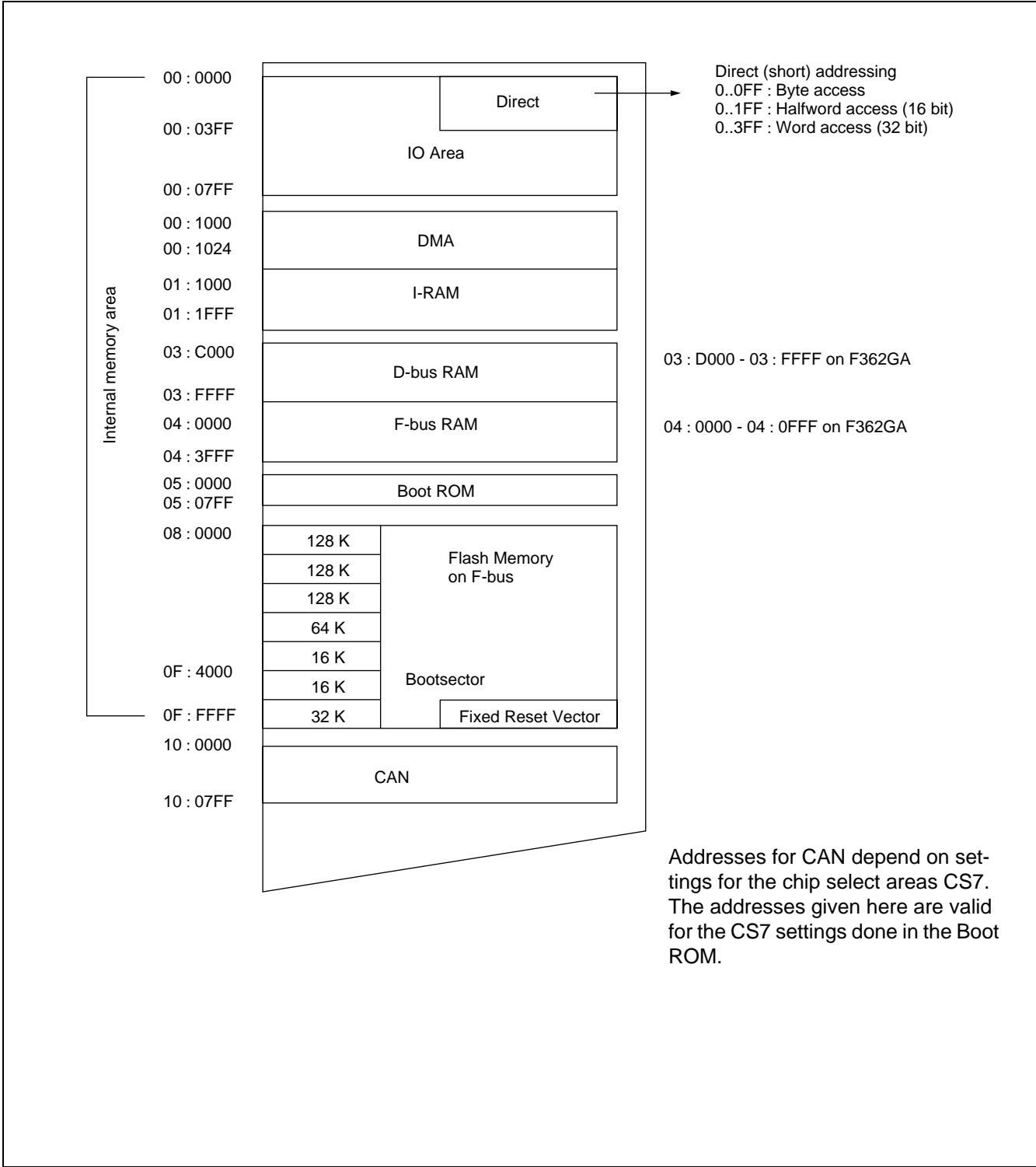
## ■ BLOCK DIAGRAM





## ■ CPU CORE

### 1. Memory Space



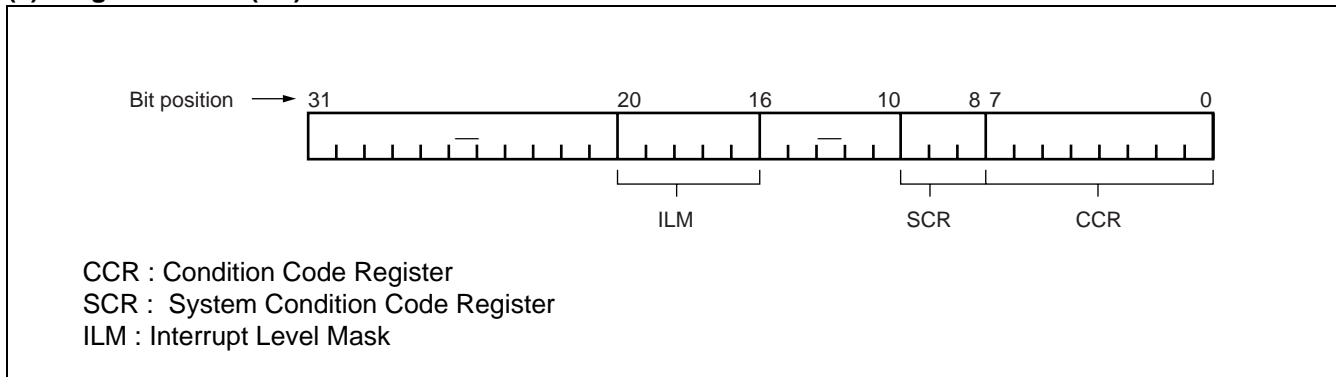
# MB91360G Series

## 2. Dedicated Registers

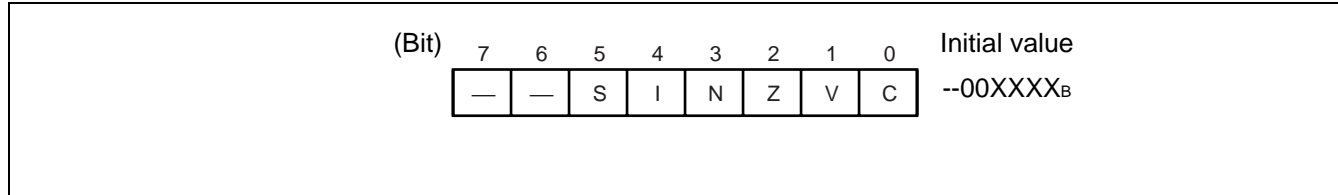
Each of the dedicated registers is used for a particular purpose. The dedicated registers consist of the program counter (PC), program status (PS), table base register (TBR), return pointer (RP), system stack pointer (SSP), user stack pointer (USP), and multiplication and division result registers (MDH/MDL).

	← 32 bits →	Initial value
Program counter	PC	XXXX XXXXH (Indeterminate)
Program status	PS	
Table base register	TBR	000F FC00H
Return pointer	RP	XXXX XXXXH (Indeterminate)
System stack pointer	SSP	0000 0000H
User stack pointer	USP	XXXX XXXXH (Indeterminate)
Multiplication and division results registers	MDH	XXXX XXXXH (Indeterminate)
	MDL	XXXX XXXXH (Indeterminate)

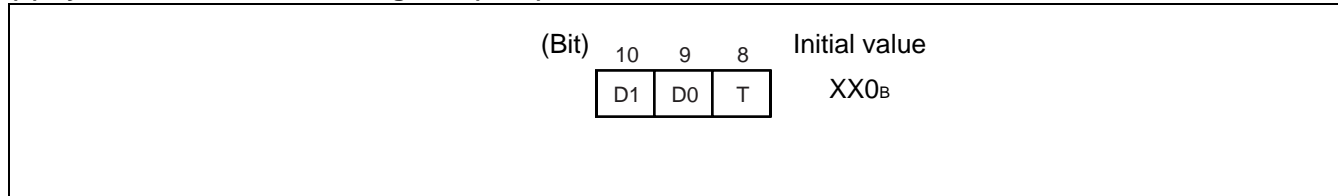
### (1) Program status (PS)



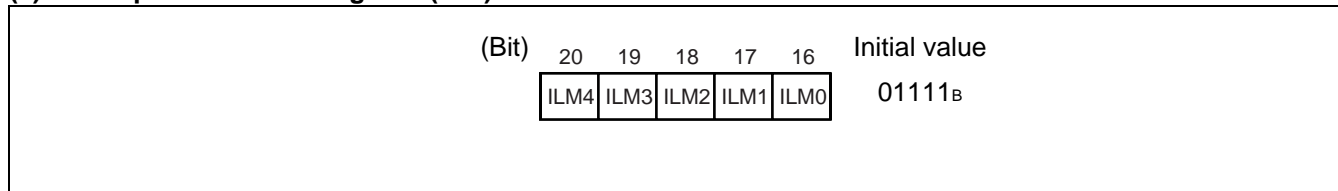
## (2) Condition Code Register (CCR)



## (3) System Condition Code Register (SCR)



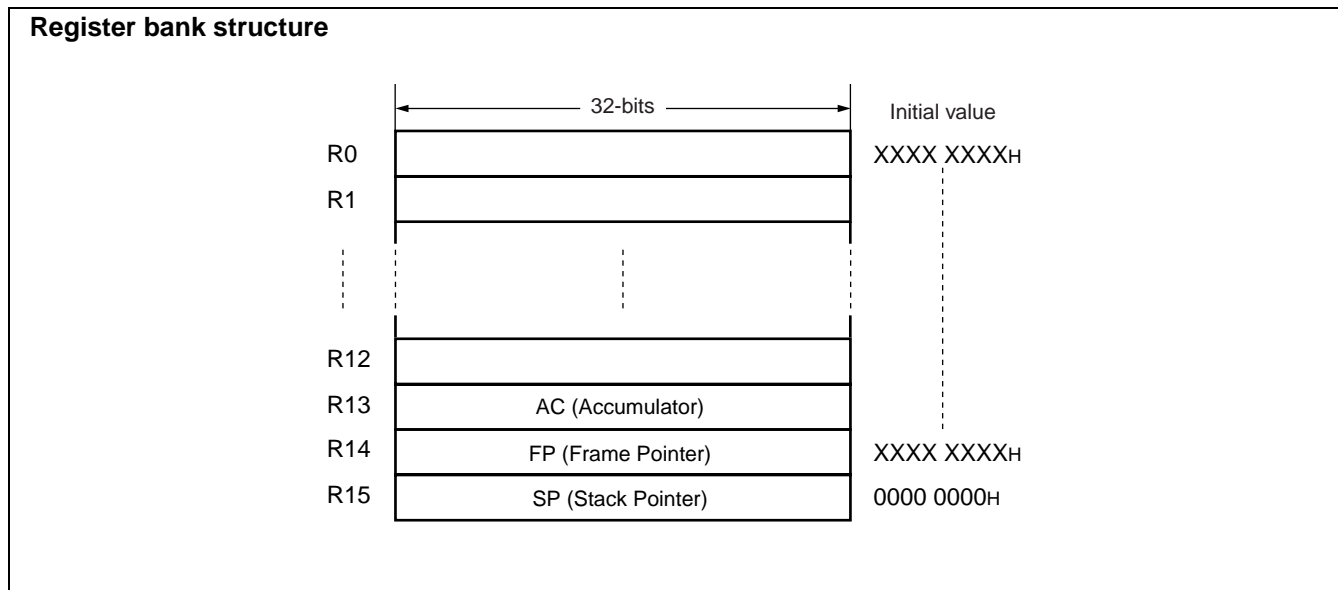
## (4) Interrupt Level Mask Register (ILM)



# MB91360G Series

## 3. General-Purpose Registers

The general-purpose registers are CPU registers R0 to R15. The registers are used as the accumulator for operations and as pointers (a field indicating an address) for memory access. The user can specify the purpose for which the general-purpose registers are used.



Among 16 general-purpose registers, the following registers assume a special purpose. This enhances some instructions.

- R13 : Virtual accumulator (AC)
- R14 : Frame pointer (FP)
- R15 : Stack pointer (SP)

The initial value of R0 to R14 after a reset is indeterminate. The initial value of R15 is 00000000<sub>H</sub> (SSP value).

## MODE SETTING

The FR50 series of devices uses mode pins (MD2 to MD0) and a mode register (MODR) to set the operation mode.

### (1) Mode Pins

Three mode pins (MD2 to MD0) are used to specify the reset mode vector access area.

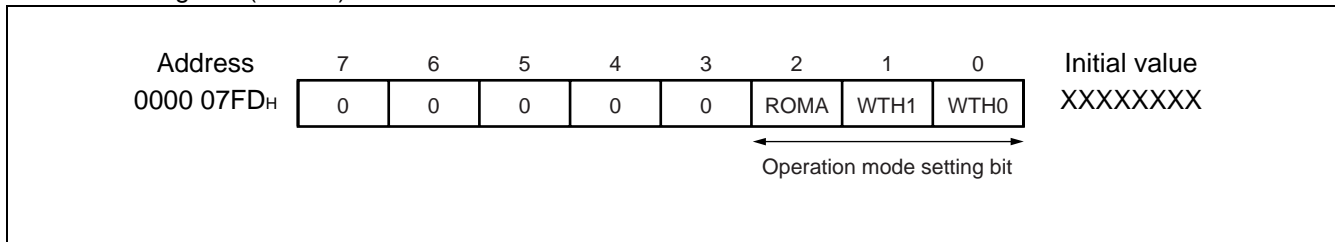
Mode Pins			Mode name	Reset vector access area	Remarks
MD2	MD1	MD0			
0	0	0	Internal ROM mode vector	Internal	
0	0	1	External ROM mode vector	External	The mode register is used to set the bus width.
remaining settings			—	—	Reserved

### (2) Mode Register (MODR)

The data to be written to 0000\_7FDH using mode vector fetch is called mode data.

MODR is located at 0000\_07FDH. After an operation mode has been set in MODR, the device operates in this operation mode. MODR is set only when a reset factor (INIT level) occurs. User programs cannot write data to MODR.

< Mode Register (MODR) >



[Bits 7 to 3] : (Reserved bits)

Always set 00000 at bits 7 to 3. Operation is not guaranteed when other values are set.

[Bit 2] : ROMA (internal ROM enable bit)

The ROMA bit is used to set whether to validate the internal ROM area (Fbus memory area) .

ROMA	Function	Remarks
0	External ROM mode	Access to the Fbus area is external.
1	Internal ROM mode	

# MB91360G Series

[Bits 1 and 0] : WTH1 and WTH0 (bus width/single chip mode specifying bits)

The WTH1 and WTH0 bits are used to set the bus width (valid when operation mode is external bus mode) and the single chip mode. When the operation mode is the external bus mode, this value is set at the BW1 and BW0 bits of AMD0 (CS0 area) .

WTH1	WTH0	Function	Remarks
0	0	8-bit bus width	External bus mode
0	1	16-bit bus width	External bus mode
1	0	32-bit bus width	External bus mode
1	1	Single chip mode	

### (3) Fixed Vector

If MB91360 series devices are started in mode MD[2 : 0] = 000, the internal fixed mode vector (FMV = 0x06) and the fixed reset vector are used. The fixed reset vector points to the start address of the internal Boot ROM.

This enables access to the F-bus area, to the internal CAN modules and the internal flash memory.

See also section Boot ROM.

## ■ I/O MAP

- How to Read the I/O Map

Address	Register				Internal peripheral
	+0	+1	+2	+3	
000014 <sub>H</sub>	PDRG[R/W] ----- XXXXXXXX	PDRH[R/W] ----- XXXXXXXX	PDRI[R/W] ----- ---- XXXX	—	Port data register

Read/Write attribute

Register initial value after a reset (bit initial values)

“1” : initial value “1”, “0” : initial value “0”,

“x” : initial value “X” (indeterminate) ,

“—” indicates non-existent bits

Register name (The register in column 1 is at location 4n, the register in column 2 at 4n+1, and so on.)

Location of far left of register (+0) . +1+2, and+3 each increment the location by one. When performing word access, the register in column 1 is placed at the MSB end of the data.

### Precautions :

- Do not use RMW instructions on registers containing write-only (W) bits.

RMW instructions (RMW : read-modify-write)

AND Rj, @Ri    OR Rj, @Ri    EOR Rj, @Ri

ANDH Rj, @Ri    ORH Rj, @Ri    EORH Rj, @Ri

ANDB Rj, @Ri    ORB Rj, @Ri    EORB Rj, @Ri

BANDL #u4, @Ri    BORL #u4, @Ri    BEORL #u4, @Ri

BANDH #u4, @Ri    BORH #u4, @Ri    BEORH #u4, @Ri

- The data in reserved areas and areas marked “—” is indeterminate. Do not use those areas !

# MB91360G Series

Address	Register				Block
	+0	+1	+2	+3	
000000 <sub>H</sub>	Reserved	Reserved	Reserved	Reserved	T-unit Port Data Register
000004 <sub>H</sub>	Reserved	Reserved	Reserved	PDR7 [R/W] -111 ----	
000008 <sub>H</sub>	PDR8 [R/W] XXXXXXXX	PDR9 [R/W] XXXXXXXX1	—	PDRB [R/W] ----- XXX	
00000C <sub>H</sub>	—				
000010 <sub>H</sub>	PDRG [R/W] XXXXXXXX	PDRH [R/W] XXXXXXXX	PDRI [R/W] X --- X ---	PDRJ [R/W] XXXXXXXX	R-bus Port Data Register
000014 <sub>H</sub>	PDRK [R/W] XXXXXXXX	PDRL [R/W] XXXXXXXX	PDRM [R/W] ---- XXXX	PDRN [R/W] -- XXXXXX	
000018 <sub>H</sub>	PDRO [R/W] XXXXXXXX	PDRP [R/W] -- XXXXX	PDRQ [R/W] -- XXXXX	PDRR [R/W] XXXXXXXX	
00001C <sub>H</sub>	PDRS [R/W] XXXXXXXX	—	—	—	
000020 <sub>H</sub> to 00003C <sub>H</sub>	—				Reserved
000040 <sub>H</sub>	EIRR [R/W] 00000000	ENIR [R/W] 00000000	ELVR [R/W] 00000000 00000000		Ext int/NMI
000044 <sub>H</sub>	DICR [R/W] ----- 0	HRCL [R/W, R] 0 -- 11111	CLKR2 [R/W] ----- 000	reserved	DLYI/I-unit RTC
000048 <sub>H</sub>	TMRLR0 [W] XXXXXXXX XXXXXXXX		TMR0 [R] XXXXXXXX XXXXXXXX		Reload Timer 0
00004C <sub>H</sub>	—		TMCSR0 [R/W] ---- 0000 --- 00000		
000050 <sub>H</sub>	TMRLR1 [W] XXXXXXXX XXXXXXXX		TMR1 [R] XXXXXXXX XXXXXXXX		Reload Timer 1
000054 <sub>H</sub>	—		TMCSR1 [R/W] ---- 0000 --- 00000		
000058 <sub>H</sub>	TMRLR2 [W] XXXXXXXX XXXXXXXX		TMR2 [R] XXXXXXXX XXXXXXXX		Reload Timer 2
00005C <sub>H</sub>	—		TMCSR2 [R/W] ---- 0000 --- 00000		
000060 <sub>H</sub>	SSR0 [R/W] 00001 - 00	SIDR0 [R/W] XXXXXXXX	SCR0 [R/W, W] 00000100	SMR0 [R/W, W] 00 - - 0 - 0 -	UART0
000064 <sub>H</sub>	ULS0 [R/W] ---- 0000	—	—	—	

(Continued)



# MB91360G Series

Address	Register				Block
	+0	+1	+2	+3	
000068H	UTIM0/UTIMR0 [R/W] 00000000 00000000		DRCL0 [W] -----	UTIMC0 [R/W] 0 - - - 0 - 01	U-TIMER 0
00006CH	SSR1 [R/W, R] 00001 - 00	SIDR1 [R/W] XXXXXXXXXX	SCR1 [R/W, W] 00000100	SMR1 [R/W, W] 00 - - 0 - 0 -	UART1
000070H	ULS1 [R/W] ---- 0000	—	—	—	
000074H	UTIM1/UTIMR1 [R/W] 00000000 00000000		DRCL1 [W] -----	UTIMC1 [R/W] 0 - - - - - 01	U-TIMER 1
000078H	SSR2 [R/W, R] 00001 - 00	SIDR2 [R/W] XXXXXXXXXX	SCR2 [R/W, W] 00000100	SMR2 [R/W, W] 00 - - 0 - 0 -	UART2
00007CH	ULS2 [R/W] ---- 0000	—	—	—	
000080H	UTIM2/UTIMR2 [R/W] 00000000 00000000		DRCL2 [W] -----	UTIMC2 [R/W] 0 - - - 0 - 01	U-TIMER2
000084H	SMCS0 [R/W, R] 00000010 - - - - 00-0		SES0 [R/W] ----- 00	SDR0 [R/W] 00000000	SIO 0
000088H	SMCS1 [R/W, R] 00000010 - - - - 00 - 0		SES1 [R/W] ----- 00	SDR1 [R/W] 00000000	SIO 1
00008CH	CDCR0 [R/W] 0 - - - 1111	Reserved	CDCR1 [R/W] 0 - - - 1111	Reserved	SIO 0/1 Prescaler
000090H	—				Reserved
000094H	IBCR [R/W] 00000000	IBSR [R] 00000000	IADR [R/W] -XXXXXXXX	ICCR [R/W] -- 0XXXXX	I <sup>2</sup> C (old)
000098H	—	IDAR [R/W] XXXXXXXXXX	—	IDBL [R/W] ----- 0	→ new I <sup>2</sup> C from addr 0x184
00009CH	ADMD [R/W, W] --- X0000	ADCH [R/W] 00000000	—	ADCS [R/W, W] 0000 - - 00	A/D Converter
0000A0H	ADCD [R/W] 000000XX XXXXXXXX		—	ADBL [R/W] ----- 0	
0000A4H	—	DACR [R/W] ----- 000	DADR0 [R/W] ----- XX XXXXXXXX		DAC
0000A8H	DADR1 [R/W] ----- XX XXXXXXXX		—	DDBL [R/W] ----- 0	
0000ACH	IOTDBL0 [R/W] ----- 000	ICS01 [R/W] 00000000	IOTDBL1 [R/W] ----- 000	ICS23 [R/W] 00000000	Input Capture 0, 1, 2, 3
0000B0H	IPCP0 [R] XXXXXXXXXX XXXXXXXX		IPCP1 [R] XXXXXXXXXX XXXXXXXX		
0000B4H	IPCP2 [R] XXXXXXXXXX XXXXXXXX		IPCP3 [R] XXXXXXXXXX XXXXXXXX		

(Continued)

www.DataSheet4U.com

# MB91360G Series

Address	Register				Block
	+0	+1	+2	+3	
0000B8 <sub>H</sub>	OCS01 [R/W] --- 0 -- 00 0000 -- 00		reserved		Output Compare 0, 1, 2, 3
0000BC <sub>H</sub>	OCCP0 [R/W] XXXXXXXX XXXXXXXX		OCCP1 [R/W] XXXXXXXX XXXXXXXX		
0000C0 <sub>H</sub>	OCCP2 [R/W] XXXXXXXX XXXXXXXX		OCCP3 [R/W] XXXXXXXX XXXXXXXX		
0000C4 <sub>H</sub>	—				Reserved
0000C8 <sub>H</sub>	TCDT0 [R/W] XXXXXXXX XXXXXXXX		—	TCCS0 [R/W] - 0000000	Free Running Counter 0 for ICU/OCU
0000CC <sub>H</sub>	TCDT1 [R/W] XXXXXXXX XXXXXXXX		—	TCCS1 [R/W] - 0000000	Free Running Counter 1 for ICU/OCU
0000D0 <sub>H</sub>	ZPD0 [R/W] 00000010	PWC0 [R/W] -- 000 -- 0	ZPD1 [R/W] 00000010	PWC1 [R/W] 00000 -- 0	SMC 0, 1
0000D4 <sub>H</sub>	ZPD2 [R/W] 00000010	PWC2 [R/W] -- 000 -- 0	ZPD3 [R/W] 00000010	PWC3 [R/W] 00000 -- 0	SMC 2, 3
0000D8 <sub>H</sub>	PWC20 [R/W] XXXXXXXX	PWC10 [R/W] XXXXXXXX	PWS20 [R/W] - 0000000	PWS10 [R/W] -- 000000	SMC 0
0000DC <sub>H</sub>	PWC21 [R/W] XXXXXXXX	PWC11 [R/W] XXXXXXXX	PWS21 [R/W] - 0000000	PWS11 [R/W] -- 000000	SMC 1
0000E0 <sub>H</sub>	PWC22 [R/W] XXXXXXXX	PWC12 [R/W] XXXXXXXX	PWS22 [R/W] - 0000000	PWS12 [R/W] -- 000000	SMC 2
0000E4 <sub>H</sub>	PWC23 [R/W] XXXXXXXX	PWC13 [R/W] XXXXXXXX	PWS23 [R/W] - 0000000	PWS13 [R/W] -- 000000	SMC 3
0000E8 <sub>H</sub>	SMDBL0 [R/W] ----- 0	SMDBL1 [R/W] ----- 0	SMDBL2 [R/W] ----- 0	SMDBL3 [R/W] ----- 0	SMC 0, 1, 2, 3
0000EC <sub>H</sub>	—	SGDBL [R/W] ----- 0	SGCR [R/W, R] 0 ----- 00 000 -- 000		Sound generator
0000F0 <sub>H</sub>	SGAR [R/W] 00000000	SGFR [R/W] XXXXXXXX	SGTR [R/W] XXXXXXXX	SGDR [R/W] XXXXXXXX	
0000F4 <sub>H</sub>	—	WTDBL [R/W] ----- 0	WTCR [R/W, R] 00000000 000 - 0000		Real Time Clock (WatchTimer)
0000F8 <sub>H</sub>	—	WTBR [R/W] -- XXXXXX XXXXXXXX XXXXXXXX			
0000FC <sub>H</sub>	WTHR [R/W] --- 00000	WTMR [R/W] -- 000000	WTSR [R/W] -- 000000	—	
000100 <sub>H</sub>	TMRLR3 [W] XXXXXXXX XXXXXXXX		TMR3 [R] XXXXXXXX XXXXXXXX		Reload Timer 3
000104 <sub>H</sub>	—		TMCSR3 [R/W] ---- XX -- --- XXXXX		

www.DataSheet4U.com

(Continued)

# MB91360G Series

Address	Register				Block
	+0	+1	+2	+3	
000108 <sub>H</sub>	TMRLR4 [W] XXXXXXXX XXXXXXXX		TMR4 [R] XXXXXXXX XXXXXXXX		Reload Timer 4
00010C <sub>H</sub>	—		TMCSR4 [R/W] ----XX -- ---XXXXX		
000110 <sub>H</sub>	TMRLR5 [W] XXXXXXXX XXXXXXXX		TMR5 [R] XXXXXXXX XXXXXXXX		Reload Timer 5
000114 <sub>H</sub>	—		TMCSR5 [R/W] ----XX -- ---XXXXX		
000118 <sub>H</sub>	GCN10 [R/W] 00110010 00010000		PDBL0 [R/W] ---00000	GCN20 [R/W] ----0000	PWM Control 0
00011C <sub>H</sub>	GCN11 [R/W] 00110010 00010000		PDBL1 [R/W] ---00000	GCN21 [R/W] ----0000	PWM Control 1
000120 <sub>H</sub>	PTMR0 [R] 11111111 11111111		PCSR0 [W] XXXXXXXX XXXXXXXX		PWM0
000124 <sub>H</sub>	PDUT0 [W] XXXXXXXX XXXXXXXX		PCNH0 [R/W] 0000000 -	PCNL0 [R/W] 000000 - 0	
000128 <sub>H</sub>	PTMR1 [R] 11111111 11111111		PCSR1 [W] XXXXXXXX XXXXXXXX		PWM1
00012C <sub>H</sub>	PDUT1 [W] XXXXXXXX XXXXXXXX		PCNH1 [R/W] 0000000 -	PCNL1 [R/W] 000000 - 0	
000130 <sub>H</sub>	PTMR2 [R] 11111111 11111111		PCSR2 [W] XXXXXXXX XXXXXXXX		PWM2
000134 <sub>H</sub>	PDUT2 [W] XXXXXXXX XXXXXXXX		PCNH2 [R/W] 0000000 -	PCNL2 [R/W] 000000 - 0	
000138 <sub>H</sub>	PTMR3 [R] 11111111 11111111		PCSR3 [W] XXXXXXXX XXXXXXXX		PWM3
00013C <sub>H</sub>	PDUT3 [W] XXXXXXXX XXXXXXXX		PCNH3 [R/W] 0000000 -	PCNL3 [R/W] 000000 - 0	
000140 <sub>H</sub>	PTMR4 [R] 11111111 11111111		PCSR4 [W] XXXXXXXX XXXXXXXX		PWM4
000144 <sub>H</sub>	PDUT4 [W] XXXXXXXX XXXXXXXX		PCNH4 [R/W] 0000000 -	PCNL4 [R/W] 000000 - 0	
000148 <sub>H</sub>	PTMR5 [R] 11111111 11111111		PCSR5 [W] XXXXXXXX XXXXXXXX		PWM5
00014C <sub>H</sub>	PDUT5 [W] XXXXXXXX XXXXXXXX		PCNH5 [R/W] 0000000 -	PCNL5 [R/W] 000000 - 0	
000150 <sub>H</sub>	PTMR6 [R] 11111111 11111111		PCSR6 [W] XXXXXXXX XXXXXXXX		PWM6
000154 <sub>H</sub>	PDUT 6 [W] XXXXXXXX XXXXXXXX		PCNH6 [R/W] 0000000 -	PCNL6 [R/W] 000000 - 0	

(Continued) [DataSheet4U.com](http://www.DataSheet4U.com)

# MB91360G Series

Address	Register				Block
	+0	+1	+2	+3	
000158H	PTMR7 [R] 11111111 11111111		PCSR7 [W] XXXXXXXX XXXXXXXX		PWM7
00015CH	PDUT7 [W] XXXXXXXX XXXXXXXX		PCNH7 [R/W] 0000000 -	PCNL7 [R/W] 000000 - 0	
000160H	—				Reserved
000164H	CMCR [R/W] 11111111 0000000		CMPR [R/W] ----1001 1--0001		Clock Modulation
000168H	CMLS0 [R/W] 01110111 1111111		CMLS1 [R/W] 01110111 1111111		
00016CH	CMLS2 [R/W] 01110111 1111111		CMLS3 [R/W] 01110111 1111111		
000170H	CMLT0 [R/W, R] -----100 00000010		CMLT1 [R/W, R] 11110100 00000010		
000174H	CMLT2 [R/W] -----100 00000010		CMLT3 [R/W, R] -----100 00000010		
000178H	CMAC [R/W] 11111111 1111111		CMTS [R] -000001 0111111		
00017CH	—	PDRCR [R/W] -----000	—	—	
000180H	ACCDL[R/W] -----0	ACSR [R/W, R] ---XXX00	—	—	Alarm comparator
000184H	IBCR2 [R/W] 00000000	IBSR2 [R] 00000000	ITBAH [R/W] -----00	ITBAL [R/W] 00000000	I <sup>2</sup> C (new)  (* ) old and new I <sup>2</sup> C share this bit !
000188H	ITMKH [R/W, R] 00----11	ITMKL [R/W] 11111111	ISMK [R/W] 01111111	ISBA [R/W] -0000000	
00018CH	IDARH [-] 00000000	IDAR2 [R/W] 00000000	ICCR2 [R/W] -0011111	IDBL2 (*) [R/W] -----0	
000190H	CUCR [R/W, R] -----0--00		CUTD [R/W] 10000000 00000000		Calibration Unit of 32 kHz oscillator
000194H	CUTR1 [R] -----00000000		CUTR2 [R] 00000000 00000000		
000198H to 0001F8H	—				Reserved
0001FCH	—	—	F362MD [R/W] 00000000	—	F362 Mode Register
000200H	DMACA0 [R/W] 00000000 0000XXXX XXXXXXXX XXXXXXXX				DMAC
000204H	DMACB0 [R/W] 00000000 00000000 XXXXXXXX XXXXXXXX				

\* : Old and new I<sup>2</sup>C share this bit.

# MB91360G Series

Address	Register				Block
	+0	+1	+2	+3	
000208 <sub>H</sub>	DMACA1 [R/W] 00000000 0000XXXX XXXXXXXX XXXXXXXX				DMAC
00020C <sub>H</sub>	DMACB1 [R/W] 00000000 00000000 XXXXXXXX XXXXXXXX				
000210 <sub>H</sub>	DMACA2 [R/W] 00000000 0000XXXX XXXXXXXX XXXXXXXX				
000214 <sub>H</sub>	DMACB2 [R/W] 00000000 00000000 XXXXXXXX XXXXXXXX				
000218 <sub>H</sub>	DMACA3 [R/W] 00000000 0000XXXX XXXXXXXX XXXXXXXX				
00021C <sub>H</sub>	DMACB3 [R/W] 00000000 00000000 XXXXXXXX XXXXXXXX				
000220 <sub>H</sub>	DMACA4 [R/W] 00000000 0000XXXX XXXXXXXX XXXXXXXX				
000224 <sub>H</sub>	DMACB4 [R/W] 00000000 00000000 XXXXXXXX XXXXXXXX				
000228 <sub>H</sub> to 00023C <sub>H</sub>	—				
000240 <sub>H</sub>	DMACR [R/W] 00 -- 0000 - - - - - - - - - - - - - - - -				
000244 <sub>H</sub> to 0002FC <sub>H</sub>	—				Reserved
000300 <sub>H</sub>	IRBS [R/W, R] 00000000 00000001 00100000 - - - - - - - -				Instruction Cache
000304 <sub>H</sub>	—		ISIZE [R/W] - - - - - - - 11		
000308 <sub>H</sub> to 0003E0 <sub>H</sub>	—				Reserved
0003E4 <sub>H</sub>	—		ICHRC [R/W] 0-000000		Instruction Cache
0003E8 <sub>H</sub> to 0003EC <sub>H</sub>	—				Reserved

(Continued)

# MB91360G Series

Address	Register				Block
	+0	+1	+2	+3	
0003F0 <sub>H</sub>	BSD0 [W] XXXXXXXX XXXXXXXX XXXXXXXX XXXXXXXX				Bit Search Module
0003F4 <sub>H</sub>	BSD1 [R/W] XXXXXXXX XXXXXXXX XXXXXXXX XXXXXXXX				
0003F8 <sub>H</sub>	BSDC [W] XXXXXXXX XXXXXXXX XXXXXXXX XXXXXXXX				
0003FC <sub>H</sub>	BSRR [R] XXXXXXXX XXXXXXXX XXXXXXXX XXXXXXXX				
000400 <sub>H</sub>	DDRG [R/W] 00000000	DDRH [R/W] 00000000	DDRJ [R/W] ---0---	DDRJ [R/W] 00000000	R-bus Port Direction Register
000404 <sub>H</sub>	DDRK [R/W] 00000000	DDRL [R/W] 00000000	DDRM [R/W] ---0000	DDRN [R/W] -000000	
000408 <sub>H</sub>	DDRO [R/W] 00000000	DDRP [R/W] ---0000	DDRQ [R/W] -000000	DDRR [R/W] 00000000	
00040C <sub>H</sub>	DDRS [R/W] 00000000	—	—	—	
000410 <sub>H</sub>	PFRG [R/W] 00000000	PFRH [R/W] 00000000	PFRI [R/W] ---0---	PFRJ [R/W] 00000000	R-bus Port Function Register
000414 <sub>H</sub>	PFRK [R/W] 00000000	PFRL [R/W] 00000000	PFRM [R/W] ---0000	PFRN [R/W] -000000	
000418 <sub>H</sub>	PFRO [R/W] 00000000	PFRP [R/W] 00000000	PFRQ [R/W] -000000	PFRR [R/W] 00000000	
00041C <sub>H</sub>	PFRS [R/W] 00000000	—	—	—	
000420 <sub>H</sub> to 00043C <sub>H</sub>	—				Reserved
000440 <sub>H</sub>	ICR00 [R/W, R] ---11111	ICR01 [R/W, R] ---11111	ICR02 [R/W, R] ---11111	ICR03 [R/W, R] ---11111	Interrupt Control unit
000444 <sub>H</sub>	ICR04 [R/W, R] ---11111	ICR05 [R/W, R] ---11111	ICR06 [R/W, R] ---11111	ICR07 [R/W, R] ---11111	
000448 <sub>H</sub>	ICR08 [R/W, R] ---11111	ICR09 [R/W, R] ---11111	ICR10 [R/W, R] ---11111	ICR11 [R/W, R] ---11111	
00044C <sub>H</sub>	ICR12 [R/W, R] ---11111	ICR13 [R/W, R] ---11111	ICR14 [R/W, R] ---11111	ICR15 [R/W, R] ---11111	
000450 <sub>H</sub>	ICR16 [R/W, R] ---11111	ICR17 [R/W, R] ---11111	ICR18 [R/W, R] ---11111	ICR19 [R/W, R] ---11111	
000454 <sub>H</sub>	ICR20 [R/W, R] ---11111	ICR21 [R/W, R] ---11111	ICR22 [R/W, R] ---11111	ICR23 [R/W, R] ---11111	
000458 <sub>H</sub>	ICR24 [R/W, R] ---11111	ICR25 [R/W, R] ---11111	ICR26 [R/W, R] ---11111	ICR27 [R/W, R] ---11111	

# MB91360G Series

Address	Register				Block
	+0	+1	+2	+3	
00045C <sub>H</sub>	ICR28 [R/W, R] ---11111	ICR29 [R/W, R] ---11111	ICR30 [R/W, R] ---11111	ICR31 [R/W, R] ---11111	Interrupt Control unit
000460 <sub>H</sub>	ICR32 [R/W, R] ---11111	ICR33 [R/W, R] ---11111	ICR34 [R/W, R] ---11111	ICR35 [R/W, R] ---11111	
000464 <sub>H</sub>	ICR36 [R/W, R] ---11111	ICR37 [R/W, R] ---11111	ICR38 [R/W, R] ---11111	ICR39 [R/W, R] ---11111	
000468 <sub>H</sub>	ICR40 [R/W, R] ---11111	ICR41 [R/W, R] ---11111	ICR42 [R/W, R] ---11111	ICR43 [R/W, R] ---11111	
00046C <sub>H</sub>	ICR44 [R/W, R] ---11111	ICR45 [R/W, R] ---11111	ICR46 [R/W, R] ---11111	ICR47 [R/W, R] ---11111	
000470 <sub>H</sub> to 00047C <sub>H</sub>	—				Reserved
000480 <sub>H</sub>	RSRR [R/W, R] 10000000	STCR [R/W] 00110011	TBCR [R/W] X0000X00	CTBR [W] XXXXXXXXX	Clock Control unit
000484 <sub>H</sub>	CLKR [R/W] 00000000	WPR [W] XXXXXXXXX	DIVR0 [R/W] 00000011	DIVR1 [R/W] 00000000	
000488 <sub>H</sub> to 0005FC <sub>H</sub>	—				Reserved
000600 <sub>H</sub>	—	—	—	—	T-unit Port Direction Register
000604 <sub>H</sub>	—	—	—	DDR7 [R/W] 00000000	
000608 <sub>H</sub>	DDR8 [R/W] 00000000	DDR9 [R/W] 00000000	—	DDRB [R/W] 00000000	
00060C <sub>H</sub>	—				
000610 <sub>H</sub>	—	—	—	—	T-unit Port Function Register
000614 <sub>H</sub>	—	—	—	PFR7 [R/W] 00001111	
000618 <sub>H</sub>	PFR8 [R/W] 111110-0	PFR9 [R/W] 11110101	—	PFRB [R/W] 00000000	
00061C <sub>H</sub>	—				
000620 <sub>H</sub>	—				
000624 <sub>H</sub>	—			PFR27 [R/W] 1111-00-	
000628 <sub>H</sub> to 00063F <sub>H</sub>	—				Reserved

(Continued)

# MB91360G Series

Address	Register				Block
	+0	+1	+2	+3	
000640 <sub>H</sub>	ASR0 [W] 00000000 00000000		AMR0 [W] 11111000 11111111		T-unit
000644 <sub>H</sub>	ASR1 [W] 00000000 00000000		AMR1 [W] 00000000 00000000		
000648 <sub>H</sub>	ASR2 [W] 00000000 00000000		AMR2 [W] 00000000 00000000		
00064C <sub>H</sub>	ASR3 [W] 00000000 00000000		AMR3 [W] 00000000 00000000		
000650 <sub>H</sub>	ASR4 [W] 00000000 00000000		AMR4 [W] 00000000 00000000		
000654 <sub>H</sub>	ASR5 [W] 00000000 00000000		AMR5 [W] 00000000 00000000		
000658 <sub>H</sub>	ASR6 [W] 00000000 00000000		AMR6 [W] 00000000 00000000		
00065C <sub>H</sub>	ASR7 [W] 00000000 00000000		AMR7 [W] 00000000 00000000		
000660 <sub>H</sub>	AMD0 [R/W] -00XX111	AMD1 [R/W] -XXXXXXX	AMD2 [R/W] --XXXXXX	AMD3 [R/W] --XXXXXX	
000664 <sub>H</sub>	AMD4 [R/W] --XXXXXX	AMD5 [R/W] --XXXXXX	AMD6 [R/W] -XXXXXXX	AMD7 [R/W] -XXXXXXX	
000668 <sub>H</sub>	CSE 11000011	—	—	—	
00066C <sub>H</sub>	—		—		
000670 <sub>H</sub>	CHE 11111111	—	—		
000674 <sub>H</sub> to 0007F8 <sub>H</sub>	—				Reserved
0007FC <sub>H</sub>	—	MODR [W] XXXXXXXX	—	—	Mode Register
000800 <sub>H</sub> to 000AFC <sub>H</sub>	—				Reserved

(Continued)



# MB91360G Series

Address	Register				Block
	+0	+1	+2	+3	
000B00 <sub>H</sub>	ESTS0 X0000000	ESTS1 XXXXXXXX	ESTS2 XXXXXXXX	—	DSU
000B04 <sub>H</sub>	ECTL0 0X000000	ECTL1 00000000	ECTL2 000X0000	ECTL3 00000X11	
000B08 <sub>H</sub>	ECNT0 XXXXXXXX	ECNT1 XXXXXXXX	EUSA XXX0000X	EDTC 0000XXXX	
000B0C <sub>H</sub>	EWPT XXXXXXXX XXXXXXXX		—		
000B10 <sub>H</sub>	EDTR0 XXXXXXXX XXXXXXXX		EDTR1 XXXXXXXX XXXXXXXX		
000B14 <sub>H</sub> to 000B1C <sub>H</sub>	—				
000B20 <sub>H</sub>	EIA0 XXXXXXXX XXXXXXXX XXXXXXXX XXXXXXXX				
000B24 <sub>H</sub>	EIA1 XXXXXXXX XXXXXXXX XXXXXXXX XXXXXXXX				
000B28 <sub>H</sub>	EIA2 XXXXXXXX XXXXXXXX XXXXXXXX XXXXXXXX				
000B2C <sub>H</sub>	EIA3 XXXXXXXX XXXXXXXX XXXXXXXX XXXXXXXX				
000B30 <sub>H</sub>	EIA4 XXXXXXXX XXXXXXXX XXXXXXXX XXXXXXXX				
000B34 <sub>H</sub>	EIA5 XXXXXXXX XXXXXXXX XXXXXXXX XXXXXXXX				
000B38 <sub>H</sub>	EIA6 XXXXXXXX XXXXXXXX XXXXXXXX XXXXXXXX				
000B3C <sub>H</sub>	EIA7 XXXXXXXX XXXXXXXX XXXXXXXX XXXXXXXX				
000B40 <sub>H</sub>	EDTA XXXXXXXX XXXXXXXX XXXXXXXX XXXXXXXX				
000B44 <sub>H</sub>	EDTM XXXXXXXX XXXXXXXX XXXXXXXX XXXXXXXX				
000B48 <sub>H</sub>	EOA0 XXXXXXXX XXXXXXXX XXXXXXXX XXXXXXXX				
000B4C <sub>H</sub>	EOA1 XXXXXXXX XXXXXXXX XXXXXXXX XXXXXXXX				
000B50 <sub>H</sub>	EPCR XXXXXXXX XXXXXXXX XXXXXXXX XXXXXXXX				
000B54 <sub>H</sub>	EPSR XXXXXXXX XXXXXXXX XXXXXXXX XXXXXXXX				

# MB91360G Series

Address	Register				Block	
	+0	+1	+2	+3		
000B58 <sub>H</sub>	EIAM0 XXXXXXXX XXXXXXXX XXXXXXXX XXXXXXXX				DSU	
000B5C <sub>H</sub>	EIAM1 XXXXXXXX XXXXXXXX XXXXXXXX XXXXXXXX					
000B60 <sub>H</sub>	EOAM0/EODM0 XXXXXXXX XXXXXXXX XXXXXXXX XXXXXXXX					
000B64 <sub>H</sub>	EOAM1/EODM1 XXXXXXXX XXXXXXXX XXXXXXXX XXXXXXXX					
000B68 <sub>H</sub>	EOD0 XXXXXXXX XXXXXXXX XXXXXXXX XXXXXXXX					
000B6C <sub>H</sub>	EOD1 XXXXXXXX XXXXXXXX XXXXXXXX XXXXXXXX					
001000 <sub>H</sub>	DMASA0 [R/W] XXXXXXXX XXXXXXXX XXXXXXXX XXXXXXXX				DMAC	
001004 <sub>H</sub>	DMADA0 [R/W] XXXXXXXX XXXXXXXX XXXXXXXX XXXXXXXX					
001008 <sub>H</sub>	DMASA1 [R/W] XXXXXXXX XXXXXXXX XXXXXXXX XXXXXXXX					
00100C <sub>H</sub>	DMADA1 [R/W] XXXXXXXX XXXXXXXX XXXXXXXX XXXXXXXX					
001010 <sub>H</sub>	DMASA2 [R/W] XXXXXXXX XXXXXXXX XXXXXXXX XXXXXXXX					
001014 <sub>H</sub>	DMADA2 [R/W] XXXXXXXX XXXXXXXX XXXXXXXX XXXXXXXX					
001018 <sub>H</sub>	DMASA3 [R/W] XXXXXXXX XXXXXXXX XXXXXXXX XXXXXXXX					
00101C <sub>H</sub>	DMADA3 [R/W] XXXXXXXX XXXXXXXX XXXXXXXX XXXXXXXX					
001020 <sub>H</sub>	DMASA4 [R/W] XXXXXXXX XXXXXXXX XXXXXXXX XXXXXXXX					
001024 <sub>H</sub>	DMADA4 [R/W] XXXXXXXX XXXXXXXX XXXXXXXX XXXXXXXX					
001028 <sub>H</sub> to 003FFC <sub>H</sub>	—					Reserved
004000 <sub>H</sub> to 006FFF <sub>H</sub>	—					Reserved

(Continued)

# MB91360G Series

Address	Register				Block
	+0	+1	+2	+3	
007000 <sub>H</sub>	FMCS [R/W] 1110X000	—	—	—	Flash Memory Control Register
007004 <sub>H</sub>	FMWT [R/W] --000011	—	—	—	
007008 <sub>H</sub> to 00FFFC <sub>H</sub>	—				Reserved
010000 <sub>H</sub> to 010FFC <sub>H</sub>	(for exact address range see chapter about I-cache) on F362GA and F369GA no cache, but 4 K I-RAM are available				I-Cache 4 KB
011000 <sub>H</sub> to 011FFC <sub>H</sub>	—				Reserved
012000 <sub>H</sub> to 01FFFC <sub>H</sub>	—				Reserved
020000 <sub>H</sub> to 03BFFC <sub>H</sub>	—				Reserved
03C000 <sub>H</sub> to 03FFFC <sub>H</sub>	Only first 12 KB are available on F362GA				User RAM 16 KB (D-Bus)
040000 <sub>H</sub> to 043FFC <sub>H</sub>	Only first 4 K are available on F362GA				Fast RAM 16 KB (F-Bus)
044000 <sub>H</sub> to 0FEFFC	—				Reserved
050000 <sub>H</sub> to 0507FC <sub>H</sub>	—				Boot ROM 2 KB (F-Bus)
050800 <sub>H</sub> to 07FFF4 <sub>H</sub>	—				reserved

(Continued)

# MB91360G Series

Address	Register				Block
	+0	+1	+2	+3	
080000 <sub>H</sub> to 09FFFC <sub>H</sub>	Sector 0 64 KB		Sector 7 64 KB		Flash Memory 512 K on F-Bus
0A0000 <sub>H</sub> to 0BFFFC	Sector 1 64 KB		Sector 8 64 KB		
0C0000 <sub>H</sub> to 0DFFFC	Sector 2 64 KB		Sector 9 64 KB		
0E0000 <sub>H</sub> to 0EFFFF	Sector 3 32 KB		Sector 10 32 KB		
0F0000 <sub>H</sub> to 0F3FFC <sub>H</sub>	Sector 4 8 KB		Sector 11 8 KB		
0F4000 <sub>H</sub> to 0F7FFC <sub>H</sub>	Sector 5 8 KB		Sector 12 8 KB		
0F8000 <sub>H</sub> to 0FFFF4 <sub>H</sub>	Sector 6 16 KB		Sector 13 16 KB		
0FFFF8 <sub>H</sub>	FMV [R] 06 00 00 00 <sub>H</sub>				Fixed Reset/Mode Vector
0FFFFC <sub>H</sub>	FRV [R] 00 05 00 00 <sub>H</sub>				

Write operations to address 0FFFF8<sub>H</sub> and 0FFFFC<sub>H</sub> are not possible. When reading these addresses, the values shown above will be read.

(Continued)

# MB91360G Series

Address	Register				Block
	+0	+1	+2	+3	
10000H	BVALR0 [R/W] 00000000 00000000		TREQR0 [R/W] 00000000 00000000		CAN 0  Remark : Address range for CAN 0 to CAN 3 depends on chip select range. Mentioned addresses are default values, determined by boot ROM contents.
10004H	TCANR0 [W] 00000000 00000000		TCR0 [R/W] 00000000 00000000		
10008H	RCR0 [R/W] 00000000 00000000		RRTRR0 [R/W] 00000000 00000000		
1000CH	ROVRR0 [R/W] 00000000 00000000		RIER0 [R/W] 00000000 00000000		
10010H	CSR0 [R/W, R] 00000000 00000001		—	LEIR0 [R/W] 000-0000	
10014H	RTEC0 [R] 00000000 00000000		BTR0 [R/W] -1111111 11111111		
10018H	IDER0 [R/W] XXXXXXXX XXXXXXXX		TRTRR0 [R/W] 00000000 00000000		
1001CH	RFWTR0 [R/W] XXXXXXXX XXXXXXXX		TIER0 [R/W] 00000000 00000000		
10020H	AMSR0 [R/W] XXXXXXXX XXXXXXXX XXXXXXXX XXXXXXXX				
10024H	AMR00 [R/W] XXXXXXXX XXXXXXXX XXXXX --- XXXXXXXX				
10028H	AMR10 [R/W] XXXXXXXX XXXXXXXX XXXXX --- XXXXXXXX				
1002CH to 10048H	GENERAL PURPOSE RAM [R/W]				
1004CH	IDR00 [R/W] XXXXXXXX XXXXXXXX XXXXX --- XXXXXXXX				
10050H	IDR10 [R/W] XXXXXXXX XXXXXXXX XXXXX --- XXXXXXXX				
10054H	IDR20 [R/W] XXXXXXXX XXXXXXXX XXXXX --- XXXXXXXX				
10058H	IDR30 [R/W] XXXXXXXX XXXXXXXX XXXXX --- XXXXXXXX				
1005CH	IDR40 [R/W] XXXXXXXX XXXXXXXX XXXXX --- XXXXXXXX				
10060H	IDR50 [R/W] XXXXXXXX XXXXXXXX XXXXX --- XXXXXXXX				
10064H	IDR60 [R/W] XXXXXXXX XXXXXXXX XXXXX --- XXXXXXXX				
10068H	IDR70 [R/W] XXXXXXXX XXXXXXXX XXXXX --- XXXXXXXX				

# MB91360G Series

Address	Register				Block
	+0	+1	+2	+3	
10006C <sub>H</sub>	IDR80 [R/W] XXXXXXXX XXXXXXXX XXXXX --- XXXXXXXX				CAN 0
100070 <sub>H</sub>	IDR90 [R/W] XXXXXXXX XXXXXXXX XXXXX --- XXXXXXXX				
100074 <sub>H</sub>	IDR100 [R/W] XXXXXXXX XXXXXXXX XXXXX --- XXXXXXXX				
100078 <sub>H</sub>	IDR110 [R/W] XXXXXXXX XXXXXXXX XXXXX --- XXXXXXXX				
10007C <sub>H</sub>	IDR120 [R/W] XXXXXXXX XXXXXXXX XXXXX --- XXXXXXXX				
100080 <sub>H</sub>	IDR130 [R/W] XXXXXXXX XXXXXXXX XXXXX --- XXXXXXXX				
100084 <sub>H</sub>	IDR140 [R/W] XXXXXXXX XXXXXXXX XXXXX --- XXXXXXXX				
100088 <sub>H</sub>	IDR150 [R/W] XXXXXXXX XXXXXXXX XXXXX --- XXXXXXXX				
10008C <sub>H</sub>	DLCR00 [R/W] -----XXXX		DLCR10 [R/W] -----XXXX		
100090 <sub>H</sub>	DLCR20 [R/W] -----XXXX		DLCR30 [R/W] -----XXXX		
100094 <sub>H</sub>	DLCR40 [R/W] -----XXXX		DLCR50 [R/W] -----XXXX		
100098 <sub>H</sub>	DLCR60 [R/W] -----XXXX		DLCR70 [R/W] -----XXXX		
10009C <sub>H</sub>	DLCR80 [R/W] -----XXXX		DLCR90 [R/W] -----XXXX		
1000A0 <sub>H</sub>	DLCR100 [R/W] -----XXXX		DLCR110 [R/W] -----XXXX		
1000A4 <sub>H</sub>	DLCR120 [R/W] -----XXXX		DLCR130 [R/W] -----XXXX		
1000A8 <sub>H</sub>	DLCR140 [R/W] -----XXXX		DLCR150 [R/W] -----XXXX		
1000AC <sub>H</sub>	DTR00 [R/W] XXXXXXXX XXXXXXXX XXXXXXXX XXXXXXXX XXXXXXXX XXXXXXXX XXXXXXXX XXXXXXXX				
1000B4 <sub>H</sub>	DTR10 [R/W] XXXXXXXX XXXXXXXX XXXXXXXX XXXXXXXX XXXXXXXX XXXXXXXX XXXXXXXX XXXXXXXX				
1000BC <sub>H</sub>	DTR20 [R/W] XXXXXXXX XXXXXXXX XXXXXXXX XXXXXXXX XXXXXXXX XXXXXXXX XXXXXXXX XXXXXXXX				

# MB91360G Series

Address	Register				Block
	+0	+1	+2	+3	
1000C4 <sub>H</sub>	DTR30 [R/W] XXXXXXXX XXXXXXXX XXXXXXXX XXXXXXXX XXXXXXXX XXXXXXXX XXXXXXXX XXXXXXXX				CAN 0
1000CC <sub>H</sub>	DTR40 [R/W] XXXXXXXX XXXXXXXX XXXXXXXX XXXXXXXX XXXXXXXX XXXXXXXX XXXXXXXX XXXXXXXX				
1000D4 <sub>H</sub>	DTR50 [R/W] XXXXXXXX XXXXXXXX XXXXXXXX XXXXXXXX XXXXXXXX XXXXXXXX XXXXXXXX XXXXXXXX				
1000DC <sub>H</sub>	DTR60 [R/W] XXXXXXXX XXXXXXXX XXXXXXXX XXXXXXXX XXXXXXXX XXXXXXXX XXXXXXXX XXXXXXXX				
1000E4 <sub>H</sub>	DTR70 [R/W] XXXXXXXX XXXXXXXX XXXXXXXX XXXXXXXX XXXXXXXX XXXXXXXX XXXXXXXX XXXXXXXX				
1000EC <sub>H</sub>	DTR80 [R/W] XXXXXXXX XXXXXXXX XXXXXXXX XXXXXXXX XXXXXXXX XXXXXXXX XXXXXXXX XXXXXXXX				
1000F4 <sub>H</sub>	DTR90 [R/W] XXXXXXXX XXXXXXXX XXXXXXXX XXXXXXXX XXXXXXXX XXXXXXXX XXXXXXXX XXXXXXXX				
1000FC <sub>H</sub>	DTR100 [R/W] XXXXXXXX XXXXXXXX XXXXXXXX XXXXXXXX XXXXXXXX XXXXXXXX XXXXXXXX XXXXXXXX				
100104 <sub>H</sub>	DTR110 [R/W] XXXXXXXX XXXXXXXX XXXXXXXX XXXXXXXX XXXXXXXX XXXXXXXX XXXXXXXX XXXXXXXX				
10010C <sub>H</sub>	DTR120 [R/W] XXXXXXXX XXXXXXXX XXXXXXXX XXXXXXXX XXXXXXXX XXXXXXXX XXXXXXXX XXXXXXXX				
100114 <sub>H</sub>	DTR130 [R/W] XXXXXXXX XXXXXXXX XXXXXXXX XXXXXXXX XXXXXXXX XXXXXXXX XXXXXXXX XXXXXXXX				
10011C <sub>H</sub>	DTR140 [R/W] XXXXXXXX XXXXXXXX XXXXXXXX XXXXXXXX XXXXXXXX XXXXXXXX XXXXXXXX XXXXXXXX				
100124 <sub>H</sub>	DTR150 [R/W] XXXXXXXX XXXXXXXX XXXXXXXX XXXXXXXX XXXXXXXX XXXXXXXX XXXXXXXX XXXXXXXX				
10012C <sub>H</sub>	CREG0 [R/W] 00000000 00000110		—		

*(Continued)*

# MB91360G Series

Address	Register				Block
	+0	+1	+2	+3	
100200 <sub>H</sub>	BVALR1 [R/W] 00000000 00000000	—	TREQR1 [R/W] 00000000 00000000	—	CAN 1  Remark : Address range for CAN 0 to CAN 3 depends on chip select range. Mentioned addresses are default values, determined by boot ROM contents.
100204 <sub>H</sub>	TCANR1 [W] 00000000 00000000		TCR1 [R/W] 00000000 00000000		
100208 <sub>H</sub>	RCR1 [R/W] 00000000 00000000		RRTRR1 [R/W] 00000000 00000000		
10020C <sub>H</sub>	ROVRR1 [R/W] 00000000 00000000		RIER1 [R/W] 00000000 00000000		
100210 <sub>H</sub>	CSR1 [R/W, R] 00000000 00000001		—	LEIR1 [R/W] 000-0000	
100214 <sub>H</sub>	RTEC1 [R] 00000000 00000000		BTR1 [R/W] -1111111 11111111		
100218 <sub>H</sub>	IDER1 [R/W] XXXXXXXX XXXXXXXX		TRTRR1 [R/W] 00000000 00000000		
10021C <sub>H</sub>	RFWTR1 [R/W] XXXXXXXX XXXXXXXX		TIER1 [R/W] 00000000 00000000		
100220 <sub>H</sub>	AMSR1 [R/W] XXXXXXXX XXXXXXXX XXXXXXXX XXXXXXXX				
100224 <sub>H</sub>	AMR01 [R/W] XXXXXXXX XXXXXXXX XXXXX --- XXXXXXXX				
100228 <sub>H</sub>	AMR11 [R/W] XXXXXXXX XXXXXXXX XXXXX --- XXXXXXXX				
10022C <sub>H</sub> to 100248 <sub>H</sub>	GENERAL PURPOSE RAM [R/W]				
10024C <sub>H</sub>	IDR01 [R/W] XXXXXXXX XXXXXXXX XXXXX --- XXXXXXXX				
100250 <sub>H</sub>	IDR11 [R/W] XXXXXXXX XXXXXXXX XXXXX --- XXXXXXXX				
100254 <sub>H</sub>	IDR21 [R/W] XXXXXXXX XXXXXXXX XXXXX --- XXXXXXXX				
100258 <sub>H</sub>	IDR31 [R/W] XXXXXXXX XXXXXXXX XXXXX --- XXXXXXXX-				
10025C <sub>H</sub>	IDR41 [R/W] XXXXXXXX XXXXXXXX XXXXX --- XXXXXXXX				
100260 <sub>H</sub>	IDR51 [R/W] XXXXXXXX XXXXXXXX XXXXX --- XXXXXXXX				
100264 <sub>H</sub>	IDR61 [R/W] XXXXXXXX XXXXXXXX XXXXX --- XXXXXXXX				

(Continued) [www.DataSheet4U.com](http://www.DataSheet4U.com)



# MB91360G Series

Address	Register				Block
	+0	+1	+2	+3	
100268H	IDR71 [R/W] XXXXXXXX XXXXXXXX XXXXX --- XXXXXXXX				CAN 1
10026CH	IDR81 [R/W] XXXXXXXX XXXXXXXX XXXXX --- XXXXXXXX				
100270H	IDR91 [R/W] XXXXXXXX XXXXXXXX XXXXX --- XXXXXXXX				
100274H	IDR101 [R/W] XXXXXXXX XXXXXXXX XXXXX --- XXXXXXXX				
100278H	IDR111 [R/W] XXXXXXXX XXXXXXXX XXXXX --- XXXXXXXX				
10027CH	IDR121 [R/W] XXXXXXXX XXXXXXXX XXXXXXXX XXXXX ---				
100280H	IDR131 [R/W] XXXXXXXX XXXXXXXX XXXXX --- XXXXXXXX				
100284H	IDR141 [R/W] XXXXXXXX XXXXXXXX XXXXX --- XXXXXXXX				
100288H	IDR151 [R/W] XXXXXXXX XXXXXXXX XXXXX --- XXXXXXXX				
10028CH	DLCR01 [R/W] -----XXXX		DLCR11 [R/W] -----XXXX		
100290H	DLCR21 [R/W] -----XXXX		DLCR31 [R/W] -----XXXX		
100294H	DLCR41 [R/W] -----XXXX		DLCR51 [R/W] -----XXXX		
100298H	DLCR61 [R/W] -----XXXX		DLCR71 [R/W] -----XXXX		
10029CH	DLCR81 [R/W] -----XXXX		DLCR91 [R/W] -----XXXX		
1002A0H	DLCR101 [R/W] -----XXXX		DLCR111 [R/W] -----XXXX		
1002A4H	DLCR121 [R/W] -----XXXX		DLCR131 [R/W] -----XXXX		
1002A8H	DLCR141 [R/W] -----XXXX		DLCR151 [R/W] -----XXXX		
1002ACH	DTR01 [R/W] XXXXXXXX XXXXXXXX XXXXXXXX XXXXXXXX XXXXXXXX XXXXXXXX XXXXXXXX XXXXXXXX				

(Continued)

# MB91360G Series

Address	Register				Block
	+0	+1	+2	+3	
1002B4 <sub>H</sub>	DTR11 [R/W] XXXXXXXX XXXXXXXX XXXXXXXX XXXXXXXX XXXXXXXX XXXXXXXX XXXXXXXX XXXXXXXX				CAN 1
1002BC <sub>H</sub>	DTR21 [R/W] XXXXXXXX XXXXXXXX XXXXXXXX XXXXXXXX XXXXXXXX XXXXXXXX XXXXXXXX XXXXXXXX				
1002C4 <sub>H</sub>	DTR31 [R/W] XXXXXXXX XXXXXXXX XXXXXXXX XXXXXXXX XXXXXXXX XXXXXXXX XXXXXXXX XXXXXXXX				
1002CC <sub>H</sub>	DTR41 [R/W] XXXXXXXX XXXXXXXX XXXXXXXX XXXXXXXX XXXXXXXX XXXXXXXX XXXXXXXX XXXXXXXX				
1002D4 <sub>H</sub>	DTR51 [R/W] XXXXXXXX XXXXXXXX XXXXXXXX XXXXXXXX XXXXXXXX XXXXXXXX XXXXXXXX XXXXXXXX				
1002DC <sub>H</sub>	DTR61 [R/W] XXXXXXXX XXXXXXXX XXXXXXXX XXXXXXXX XXXXXXXX XXXXXXXX XXXXXXXX XXXXXXXX				
1002E4 <sub>H</sub>	DTR71 [R/W] XXXXXXXX XXXXXXXX XXXXXXXX XXXXXXXX XXXXXXXX XXXXXXXX XXXXXXXX XXXXXXXX				
1002EC <sub>H</sub>	DTR81 [R/W] XXXXXXXX XXXXXXXX XXXXXXXX XXXXXXXX XXXXXXXX XXXXXXXX XXXXXXXX XXXXXXXX				
1002F4 <sub>H</sub>	DTR91 [R/W] XXXXXXXX XXXXXXXX XXXXXXXX XXXXXXXX XXXXXXXX XXXXXXXX XXXXXXXX XXXXXXXX				
1002FC <sub>H</sub>	DTR101 [R/W] XXXXXXXX XXXXXXXX XXXXXXXX XXXXXXXX XXXXXXXX XXXXXXXX XXXXXXXX XXXXXXXX				
100304 <sub>H</sub>	DTR111 [R/W] XXXXXXXX XXXXXXXX XXXXXXXX XXXXXXXX XXXXXXXX XXXXXXXX XXXXXXXX XXXXXXXX				
10030C <sub>H</sub>	DTR121 [R/W] XXXXXXXX XXXXXXXX XXXXXXXX XXXXXXXX XXXXXXXX XXXXXXXX XXXXXXXX XXXXXXXX				
100314 <sub>H</sub>	DTR131 [R/W] XXXXXXXX XXXXXXXX XXXXXXXX XXXXXXXX XXXXXXXX XXXXXXXX XXXXXXXX XXXXXXXX				
10031C <sub>H</sub>	DTR141 [R/W] XXXXXXXX XXXXXXXX XXXXXXXX XXXXXXXX XXXXXXXX XXXXXXXX XXXXXXXX XXXXXXXX				

(Continued)  
www.DataSheet4U.com

# MB91360G Series

Address	Register				Block
	+0	+1	+2	+3	
100324 <sub>H</sub>	DTR151 [R/W] XXXXXXXX XXXXXXXX XXXXXXXX XXXXXXXX XXXXXXXX XXXXXXXX XXXXXXXX XXXXXXXX				CAN 1
10032C <sub>H</sub>	CREG1 [R/W] 00000000 00000110		—		
100400 <sub>H</sub>	BVALR2 [R/W] 00000000 00000000		TREQR2 [R/W] 00000000 00000000		CAN 2  Remark : Address range for CAN 0 to CAN 3 depends on chip select range. Mentioned addresses are default values, determined by boot ROM contents.
100404 <sub>H</sub>	TCANR2 [W] 00000000 00000000		TCR2 [R/W] 00000000 00000000		
100408 <sub>H</sub>	RCR2 [R/W] 00000000 00000000		RRTRR1 [R/W] 00000000 00000000		
10040C <sub>H</sub>	ROVRR2 [R/W] 00000000 00000000		RIER2 [R/W] 00000000 00000000		
100410 <sub>H</sub>	CSR2 [R/W, R] 00000000 00000001		—	LEIR2 [R/W] 000-0000	
100414 <sub>H</sub>	RTEC2 [R] 00000000 00000000		BTR2 [R/W] -1111111 11111111		
100418 <sub>H</sub>	IDER2 [R/W] XXXXXXXX XXXXXXXX		TRTRR2 [R/W] 00000000 00000000		
10041C <sub>H</sub>	RFWTR2 [R/W] XXXXXXXX XXXXXXXX		TIER2 [R/W] 00000000 00000000		
100420 <sub>H</sub>	AMSR2 [R/W] XXXXXXXX XXXXXXXX XXXXXXXX XXXXXXXX				
100424 <sub>H</sub>	AMR02 [R/W] XXXXXXXX XXXXXXXX XXXXX --- XXXXXXXX				
100428 <sub>H</sub>	AMR12 [R/W] XXXXXXXX XXXXXXXX XXXXX --- XXXXXXXX				
10042C <sub>H</sub> to 100448 <sub>H</sub>	GENERAL PURPOSE RAM [R/W]				
10044C <sub>H</sub>	IDR02 [R/W] XXXXXXXX XXXXXXXX XXXXX --- XXXXXXXX				
100450 <sub>H</sub>	IDR12 [R/W] XXXXXXXX XXXXXXXX XXXXX --- XXXXXXXX				
100454 <sub>H</sub>	IDR22[R/W] XXXXXXXX XXXXXXXX XXXXX --- XXXXXXXX				
100458 <sub>H</sub>	IDR32 [R/W] XXXXXXXX XXXXXXXX XXXXX --- XXXXXXXX-				
10045C <sub>H</sub>	IDR42 [R/W] XXXXXXXX XXXXXXXX XXXXX --- XXXXXXXX				

(Continued)  
[www.DataSheet4U.com](http://www.DataSheet4U.com)

# MB91360G Series

Address	Register				Block
	+0	+1	+2	+3	
100460H	IDR52 [R/W] XXXXXXXX XXXXXXXX XXXXX --- XXXXXXXX				CAN 2
100464H	IDR62 [R/W] XXXXXXXX XXXXXXXX XXXXX --- XXXXXXXX				
100468H	IDR72 [R/W] XXXXXXXX XXXXXXXX XXXXX --- XXXXXXXX				
10046CH	IDR82 [R/W] XXXXXXXX XXXXXXXX XXXXX --- XXXXXXXX				
100470H	IDR92 [R/W] XXXXXXXX XXXXXXXX XXXXX --- XXXXXXXX				
100474H	IDR102 [R/W] XXXXXXXX XXXXXXXX XXXXX --- XXXXXXXX				
100478H	IDR112 [R/W] XXXXXXXX XXXXXXXX XXXXX --- XXXXXXXX				
10047CH	IDR122 [R/W] XXXXXXXX XXXXXXXX XXXXXXXX XXXXX ---				
100480H	IDR132 [R/W] XXXXXXXX XXXXXXXX XXXXX --- XXXXXXXX				
100484H	IDR142 [R/W] XXXXXXXX XXXXXXXX XXXXX --- XXXXXXXX				
100488H	IDR152 [R/W] XXXXXXXX XXXXXXXX XXXXX --- XXXXXXXX				
10048CH	DLCR02 [R/W] -----XXXX		DLCR12 [R/W] -----XXXX		
100490H	DLCR22 [R/W] -----XXXX		DLCR32 [R/W] -----XXXX		
100494H	DLCR42 [R/W] -----XXXX		DLCR52 [R/W] -----XXXX		
100498H	DLCR62 [R/W] -----XXXX		DLCR72 [R/W] -----XXXX		
10049CH	DLCR82 [R/W] -----XXXX		DLCR92 [R/W] -----XXXX		
1004A0H	DLCR102 [R/W] -----XXXX		DLCR112 [R/W] -----XXXX		
1004A4H	DLCR122 [R/W] -----XXXX		DLCR132 [R/W] -----XXXX		
1004A8H	DLCR142 [R/W] -----XXXX		DLCR152 [R/W] -----XXXX		

(Continued)

# MB91360G Series

Address	Register				Block
	+0	+1	+2	+3	
1004AC <sub>H</sub>	DTR02 [R/W] XXXXXXXX XXXXXXXX XXXXXXXX XXXXXXXX XXXXXXXX XXXXXXXX XXXXXXXX XXXXXXXX				CAN 2
1004B4 <sub>H</sub>	DTR12 [R/W] XXXXXXXX XXXXXXXX XXXXXXXX XXXXXXXX XXXXXXXX XXXXXXXX XXXXXXXX XXXXXXXX				
1004BC <sub>H</sub>	DTR22 [R/W] XXXXXXXX XXXXXXXX XXXXXXXX XXXXXXXX XXXXXXXX XXXXXXXX XXXXXXXX XXXXXXXX				
1004C4 <sub>H</sub>	DTR32 [R/W] XXXXXXXX XXXXXXXX XXXXXXXX XXXXXXXX XXXXXXXX XXXXXXXX XXXXXXXX XXXXXXXX				
1004CC <sub>H</sub>	DTR42 [R/W] XXXXXXXX XXXXXXXX XXXXXXXX XXXXXXXX XXXXXXXX XXXXXXXX XXXXXXXX XXXXXXXX				
1004D4 <sub>H</sub>	DTR52 [R/W] XXXXXXXX XXXXXXXX XXXXXXXX XXXXXXXX XXXXXXXX XXXXXXXX XXXXXXXX XXXXXXXX				
1004DC <sub>H</sub>	DTR62 [R/W] XXXXXXXX XXXXXXXX XXXXXXXX XXXXXXXX XXXXXXXX XXXXXXXX XXXXXXXX XXXXXXXX				
1004E4 <sub>H</sub>	DTR72 [R/W] XXXXXXXX XXXXXXXX XXXXXXXX XXXXXXXX XXXXXXXX XXXXXXXX XXXXXXXX XXXXXXXX				
1004EC <sub>H</sub>	DTR82 [R/W] XXXXXXXX XXXXXXXX XXXXXXXX XXXXXXXX XXXXXXXX XXXXXXXX XXXXXXXX XXXXXXXX				
1004F4 <sub>H</sub>	DTR92 [R/W] XXXXXXXX XXXXXXXX XXXXXXXX XXXXXXXX XXXXXXXX XXXXXXXX XXXXXXXX XXXXXXXX				
1004FC <sub>H</sub>	DTR102 [R/W] XXXXXXXX XXXXXXXX XXXXXXXX XXXXXXXX XXXXXXXX XXXXXXXX XXXXXXXX XXXXXXXX				
100504 <sub>H</sub>	DTR112 [R/W] XXXXXXXX XXXXXXXX XXXXXXXX XXXXXXXX XXXXXXXX XXXXXXXX XXXXXXXX XXXXXXXX				
10050C <sub>H</sub>	DTR122 [R/W] XXXXXXXX XXXXXXXX XXXXXXXX XXXXXXXX XXXXXXXX XXXXXXXX XXXXXXXX XXXXXXXX				
100514 <sub>H</sub>	DTR132 [R/W] XXXXXXXX XXXXXXXX XXXXXXXX XXXXXXXX XXXXXXXX XXXXXXXX XXXXXXXX XXXXXXXX				

(Continued)  
[www.DataSheet4U.com](http://www.DataSheet4U.com)

# MB91360G Series

Address	Register				Block
	+0	+1	+2	+3	
10051C <sub>H</sub>	DTR142 [R/W] XXXXXXXX XXXXXXXX XXXXXXXX XXXXXXXX XXXXXXXX XXXXXXXX XXXXXXXX XXXXXXXX				CAN 2
100524 <sub>H</sub>	DTR152 [R/W] XXXXXXXX XXXXXXXX XXXXXXXX XXXXXXXX XXXXXXXX XXXXXXXX XXXXXXXX XXXXXXXX				
10052C <sub>H</sub>	CREG2 [R/W] 00000000 00000110		—		
100600 <sub>H</sub>	BVALR3 [R/W] 00000000 00000000		TREQR3 [R/W] 00000000 00000000		CAN 3  Remark : Address range for CAN 0 to CAN 3 depends on chip select range. Mentioned addresses are default values, determined by boot ROM contents.
100604 <sub>H</sub>	TCANR3 [W] 00000000 00000000		TCR3 [R/W] 00000000 00000000		
100608 <sub>H</sub>	RCR3 [R/W] 00000000 00000000		RRTRR31 [R/W] 00000000 00000000		
10060C <sub>H</sub>	ROVRR3 [R/W] 00000000 00000000		RIER3 [R/W] 00000000 00000000		
100610 <sub>H</sub>	CSR3 [R/W, R] 00000000 00000001		—	LEIR3 [R/W] 000-0000	
100614 <sub>H</sub>	RTEC3 [R] 00000000 00000000		BTR3 [R/W] -1111111 11111111		
100618 <sub>H</sub>	IDER3 [R/W] XXXXXXXX XXXXXXXX		TRTRR3 [R/W] 00000000 00000000		
10061C <sub>H</sub>	RFWTR3 [R/W] XXXXXXXX XXXXXXXX		TIER3 [R/W] 00000000 00000000		
100620 <sub>H</sub>	AMSR3 [R/W] XXXXXXXX XXXXXXXX XXXXXXXX XXXXXXXX				
100624 <sub>H</sub>	AMR03 [R/W] XXXXXXXX XXXXXXXX XXXXX --- XXXXXXXX				
100628 <sub>H</sub>	AMR13 [R/W] XXXXXXXX XXXXXXXX XXXXX --- XXXXXXXX				
10062C <sub>H</sub> to 100648 <sub>H</sub>	GENERAL PURPOSE RAM [R/W]				
10064C <sub>H</sub>	IDR03 [R/W] XXXXXXXX XXXXXXXX XXXXX --- XXXXXXXX				
100650 <sub>H</sub>	IDR13 [R/W] XXXXXXXX XXXXXXXX XXXXX --- XXXXXXXX				
100654 <sub>H</sub>	IDR23[R/W] XXXXXXXX XXXXXXXX XXXXX --- XXXXXXXX				
100658 <sub>H</sub>	IDR33 [R/W] XXXXXXXX XXXXXXXX XXXXX --- XXXXXXXX-				

# MB91360G Series

Address	Register				Block
	+0	+1	+2	+3	
10065C <sub>H</sub>	IDR43 [R/W] XXXXXXXX XXXXXXXX XXXXX --- XXXXXXXX				CAN 3
100660 <sub>H</sub>	IDR53 [R/W] XXXXXXXX XXXXXXXX XXXXX --- XXXXXXXX				
100664 <sub>H</sub>	IDR63 [R/W] XXXXXXXX XXXXXXXX XXXXX --- XXXXXXXX				
100668 <sub>H</sub>	IDR73 [R/W] XXXXXXXX XXXXXXXX XXXXX --- XXXXXXXX				
10066C <sub>H</sub>	IDR83 [R/W] XXXXXXXX XXXXXXXX XXXXX --- XXXXXXXX				
100670 <sub>H</sub>	IDR93 [R/W] XXXXXXXX XXXXXXXX XXXXX --- XXXXXXXX				
100674 <sub>H</sub>	IDR103 [R/W] XXXXXXXX XXXXXXXX XXXXX --- XXXXXXXX				
100678 <sub>H</sub>	IDR113 [R/W] XXXXXXXX XXXXXXXX XXXXX --- XXXXXXXX				
10067C <sub>H</sub>	IDR123 [R/W] XXXXXXXX XXXXXXXX XXXXXXXX XXXXX ---				
100680 <sub>H</sub>	IDR133 [R/W] XXXXXXXX XXXXXXXX XXXXX --- XXXXXXXX				
100684 <sub>H</sub>	IDR143 [R/W] XXXXXXXX XXXXXXXX XXXXX --- XXXXXXXX				
100688 <sub>H</sub>	IDR153 [R/W] XXXXXXXX XXXXXXXX XXXXX --- XXXXXXXX				
10068C <sub>H</sub>	DLCR032 [R/W] -----XXXX		DLCR13 [R/W] -----XXXX		
100690 <sub>H</sub>	DLCR232 [R/W] -----XXXX		DLCR33 [R/W] -----XXXX		
100694 <sub>H</sub>	DLCR43 [R/W] -----XXXX		DLCR53 [R/W] -----XXXX		
100698 <sub>H</sub>	DLCR63 [R/W] -----XXXX		DLCR733 [R/W] -----XXXX		
10069C <sub>H</sub>	DLCR83[R/W] -----XXXX		DLCR93 [R/W] -----XXXX		
1006A0 <sub>H</sub>	DLCR103 [R/W] -----XXXX		DLCR113 [R/W] -----XXXX		
1006A4 <sub>H</sub>	DLCR123 [R/W] -----XXXX		DLCR133 [R/W] -----XXXX		
1006A8 <sub>H</sub>	DLCR143 [R/W] -----XXXX		DLCR153 [R/W] -----XXXX		

(Continued) [heet4U.com](http://www.heet4U.com)

# MB91360G Series

Address	Register				Block
	+0	+1	+2	+3	
1006AC <sub>H</sub>	DTR03 [R/W] XXXXXXXX XXXXXXXX XXXXXXXX XXXXXXXX XXXXXXXX XXXXXXXX XXXXXXXX XXXXXXXX				CAN 3
1006B4 <sub>H</sub>	DTR13 [R/W] XXXXXXXX XXXXXXXX XXXXXXXX XXXXXXXX XXXXXXXX XXXXXXXX XXXXXXXX XXXXXXXX				
1006BC <sub>H</sub>	DTR23 [R/W] XXXXXXXX XXXXXXXX XXXXXXXX XXXXXXXX XXXXXXXX XXXXXXXX XXXXXXXX XXXXXXXX				
1006C4 <sub>H</sub>	DTR33 [R/W] XXXXXXXX XXXXXXXX XXXXXXXX XXXXXXXX XXXXXXXX XXXXXXXX XXXXXXXX XXXXXXXX				
1006CC <sub>H</sub>	DTR43 [R/W] XXXXXXXX XXXXXXXX XXXXXXXX XXXXXXXX XXXXXXXX XXXXXXXX XXXXXXXX XXXXXXXX				
1006D4 <sub>H</sub>	DTR53 [R/W] XXXXXXXX XXXXXXXX XXXXXXXX XXXXXXXX XXXXXXXX XXXXXXXX XXXXXXXX XXXXXXXX				
1006DC <sub>H</sub>	DTR63 [R/W] XXXXXXXX XXXXXXXX XXXXXXXX XXXXXXXX XXXXXXXX XXXXXXXX XXXXXXXX XXXXXXXX				
1006E4 <sub>H</sub>	DTR73 [R/W] XXXXXXXX XXXXXXXX XXXXXXXX XXXXXXXX XXXXXXXX XXXXXXXX XXXXXXXX XXXXXXXX				
1006EC <sub>H</sub>	DTR83 [R/W] XXXXXXXX XXXXXXXX XXXXXXXX XXXXXXXX XXXXXXXX XXXXXXXX XXXXXXXX XXXXXXXX				
1006F4 <sub>H</sub>	DTR93 [R/W] XXXXXXXX XXXXXXXX XXXXXXXX XXXXXXXX XXXXXXXX XXXXXXXX XXXXXXXX XXXXXXXX				
1006FC <sub>H</sub>	DTR103 [R/W] XXXXXXXX XXXXXXXX XXXXXXXX XXXXXXXX XXXXXXXX XXXXXXXX XXXXXXXX XXXXXXXX				
100704 <sub>H</sub>	DTR113 [R/W] XXXXXXXX XXXXXXXX XXXXXXXX XXXXXXXX XXXXXXXX XXXXXXXX XXXXXXXX XXXXXXXX				
10070C <sub>H</sub>	DTR123 [R/W] XXXXXXXX XXXXXXXX XXXXXXXX XXXXXXXX XXXXXXXX XXXXXXXX XXXXXXXX XXXXXXXX				
100714 <sub>H</sub>	DTR133 [R/W] XXXXXXXX XXXXXXXX XXXXXXXX XXXXXXXX XXXXXXXX XXXXXXXX XXXXXXXX XXXXXXXX				

(Continued)  
www.DataSheet4U.com



(Continued)

Address	Register				Block
	+0	+1	+2	+3	
10071CH	DTR143 [R/W] XXXXXXXX XXXXXXXX XXXXXXXX XXXXXXXX XXXXXXXX XXXXXXXX XXXXXXXX XXXXXXXX				CAN 3
100724H	DTR153 [R/W] XXXXXXXX XXXXXXXX XXXXXXXX XXXXXXXX XXXXXXXX XXXXXXXX XXXXXXXX XXXXXXXX				
10072CH	CREG3 [R/W] 00000000 00000110		—		

# MB91360G Series

## ■ INTERRUPT CAUSES, INTERRUPT VECTORS, AND INTERRUPT CONTROL REGISTER

Interrupt	Interrupt number		Interrupt level <sup>*1</sup>		Interrupt vector <sup>*2</sup>		RN
	Decimal	Hexa-decimal	Setting Register	Register address	Offset	Default Vector address	
Reset	0	00	—	—	0x3FC	0x000FFFFC	—
Mode vector	1	01	—	—	0x3F8	0x000FFF8	—
System reserved	2	02	—	—	0x3F4	0x000FFF4	—
System reserved	3	03	—	—	0x3F0	0x000FFF0	—
System reserved	4	04	—	—	0x3EC	0x000FFFE4	—
System reserved	5	05	—	—	0x3E8	0x000FFFE8	—
System reserved	6	06	—	—	0x3E4	0x000FFFE4	—
Co-processor fault trap <sup>*4</sup>	7	07	—	—	0x3E0	0x000FFFE0	—
Co-processor error trap <sup>*4</sup>	8	08	—	—	0x3DC	0x000FFFD8	—
INTE instruction <sup>*4</sup>	9	09	—	—	0x3D8	0x000FFFD8	—
Instruction break exception <sup>*4</sup>	10	0A	—	—	0x3D4	0x000FFFD4	—
Operand break trap <sup>*4</sup>	11	0B	—	—	0x3D0	0x000FFFD0	—
Step trace trap <sup>*4</sup>	12	0C	—	—	0x3CC	0x000FFFC8	—
NMI interrupt (tool) <sup>*4</sup>	13	0D	—	—	0x3C8	0x000FFFC8	—
Undefined instruction exception	14	0E	—	—	0x3C4	0x000FFFC4	—
NMI request	15	0F	F <sub>H</sub> fixed		0x3C0	0x000FFFC0	—
External Interrupt 0	16	10	ICR00	0x440	0x3BC	0x000FFFB8	4
External Interrupt 1	17	11	ICR01	0x441	0x3B8	0x000FFFB8	5
External Interrupt 2	18	12	ICR02	0x442	0x3B4	0x000FFFB4	8
External Interrupt 3	19	13	ICR03	0x443	0x3B0	0x000FFFB0	9
External Interrupt 4	20	14	ICR04	0x444	0x3AC	0x000FFFA8	—
External Interrupt 5	21	15	ICR05	0x445	0x3A8	0x000FFFA8	—
External Interrupt 6	22	16	ICR06	0x446	0x3A4	0x000FFFA4	—
External Interrupt 7	23	17	ICR07	0x447	0x3A0	0x000FFFA0	—
Reload Timer 0	24	18	ICR08	0x448	0x39C	0x000FFF9C	6
Reload Timer 1	25	19	ICR09	0x449	0x398	0x000FFF98	7
Reload Timer 2	26	1A	ICR10	0x44A	0x394	0x000FFF94	—
CAN 0 RX	27	1B	ICR11	0x44B	0x390	0x000FFF90	—
CAN 0 TX/NS	28	1C	ICR12	0x44C	0x38C	0x000FFF8C	—
CAN 1 RX	29	1D	ICR13	0x44D	0x388	0x000FFF88	—
CAN 1 TX/NS	30	1E	ICR14	0x44E	0x384	0x000FFF84	—

(Continued)  
www.DataSheet4U.com

# MB91360G Series

Interrupt	Interrupt number		Interrupt level <sup>*1</sup>		Interrupt vector <sup>*2</sup>		RN
	Decimal	Hexa-decimal	Setting Register	Register address	Offset	Default Vector address	
CAN 2 RX	31	1F	ICR15	0x44F	0x380	0x000FFF80	—
CAN 2 TX/NS	32	20	ICR16	0x450	0x37C	0x000FFF7C	—
CAN 3 RX <sup>*5</sup>	33	21	ICR17	0x451	0x378	0x000FFF78	—
CAN 3 TX/NS <sup>*5</sup>	34	22	ICR18	0x452	0x374	0x000FFF74	—
PPG 0/1	35	23	ICR19	0x453	0x370	0x000FFF70	—
PPG 2/3	36	24	ICR20	0x454	0x36C	0x000FFF6C	—
PPG 4/5	37	25	ICR21	0x455	0x368	0x000FFF68	—
PPG 6/7	38	26	ICR22	0x456	0x364	0x000FFF64	—
Reload Timer 3	39	27	ICR23	0x457	0x360	0x000FFF60	—
Reload Timer 4	40	28	ICR24	0x458	0x35C	0x000FFF5C	—
Reload Timer 5	41	29	ICR25	0x459	0x358	0x000FFF58	—
ICU 0/1	42	2A	ICR26	0x45A	0x354	0x000FFF54	—
OCU 0/1	43	2B	ICR27	0x45B	0x350	0x000FFF50	—
ICU 2/3	44	2C	ICR28	0x45C	0x34C	0x000FFF4C	—
OCU 2/3	45	2D	ICR29	0x45D	0x348	0x000FFF48	—
ADC	46	2E	ICR30	0x45E	0x344	0x000FFF44	14
Timebase Overflow	47	2F	ICR31	0x45F	0x340	0x000FFF40	—
Free Running Counter 0	48	30	ICR32	0x460	0x33C	0x000FFF3C	—
Free Running Counter 1	49	31	ICR33	0x461	0x338	0x000FFF38	—
SIO 0 <sup>*6</sup>	50	32	ICR34	0x462	0x334	0x000FFF34	12
SIO 1 <sup>*6</sup>	51	33	ICR35	0x463	0x330	0x000FFF30	15
Sound Generator	52	34	ICR36	0x464	0x32C	0x000FFF2C	—
UART 0 RX	53	35	ICR37	0x465	0x328	0x000FFF28	0
UART 0 TX	54	36	ICR38	0x466	0x324	0x000FFF24	1
UART 1 RX	55	37	ICR39	0x467	0x320	0x000FFF20	2
UART 1 TX	56	38	ICR40	0x468	0x31C	0x000FFF1C	3
UART 2 RX	57	39	ICR41	0x469	0x318	0x000FFF18	10
UART 2 TX	58	3A	ICR42	0x46A	0x314	0x000FFF14	11
I <sup>2</sup> C <sup>*7</sup>	59	3B	ICR43	0x46B	0x310	0x000FFF10	13
Alarm Comparator	60	3C	ICR44	0x46C	0x30C	0x000FFF0C	—
RTC (Watchtimer) / Calibration Unit	61	3D	ICR45	0x46D	0x308	0x000FFF08	—
DMA	62	3E	ICR46	0x46E	0x304	0x000FFF04	—

(Continued)

www.DataSheet4U.com

# MB91360G Series

(Continued)

Interrupt	Interrupt number		Interrupt level *1		Interrupt vector *2		RN
	Decimal	Hexa-decimal	Setting Register	Register address	Offset	Default Vector address	
Delayed interrupt activation bit	63	3F	ICR47	0x46F	0x300	0x000FFF00	— —
System reserved *3	64	40	—	—	0x2FC	0x000FFEFC	—
System reserved *3	65	41	—	—	0x2F8	0x000FFEFC	—
Security vector	66	42	—	—	0x2F4	0x000FEFC4	—
System reserved	67	43	(ICR51)	0x473	0x2F0	0x000FEFC0	—
System reserved	68	44	(ICR52)	0x474	0x2EC	0x000FEFC4	—
System reserved	69	45	(ICR53)	0x475	0x2E8	0x000FEFC8	—
System reserved	70	46	(ICR54)	0x476	0x2E4	0x000FEFC8	—
System reserved	71	47	(ICR55)	0x477	0x2E0	0x000FEFC0	—
System reserved	72	48	(ICR56)	0x478	0x2DC	0x000FEFC4	—
System reserved	73	49	(ICR57)	0x479	0x2D8	0x000FEFC8	—
System reserved	74	4A	(ICR58)	0x47A	0x2D4	0x000FEFC0	—
System reserved	75	4B	(ICR59)	0x47B	0x2D0	0x000FEFC4	—
System reserved	76	4C	(ICR60)	0x47C	0x2CC	0x000FEFC8	—
System reserved	77	4D	(ICR61)	0x47D	0x2C8	0x000FEFC0	—
System reserved	78	4E	(ICR62)	0x47E	0x2C4	0x000FEFC4	—
System reserved	79	4F	(ICR63)	0x47F	0x2C0	0x000FEFC0	—
Used by the INT instruction.	80 to 255	50 to FF	—	—	0x2BC to 0x000	0x000FEFC0 to 0x000FFC00	— — —

\*1 : The ICRs are located in the interrupt controller and set the interrupt level for each interrupt request. An ICR is provided for each interrupt request.

\*2 : The vector address for each EIT (exception, interrupt or trap) is calculated by adding the listed offset to the table base register value (TBR) . The TBR specifies the top of the EIT vector table. The addresses listed in the table are for the default TBR value (0x000FFC00) . The TBR is initialized to this value by a reset. After execution of the internal boot ROM TBR is set to 0x00FFC00.

\*3 : Used by REALOS

\*4 : System reserved

\*5 : Only available on MB91FV360GA

\*6 : DMA to/from SIO only implemented on F369GA.

\*7 : DMA to/from I<sup>2</sup>C is not implemented on MB91F362GA.

## Remarks :

The 1-Kbyte area from the address specified in TRB is the EIT vector area.

Each vector consists of four bytes. The following formula shows the relationship between the vector number and vector address.

$$\begin{aligned} \text{vector} &= \text{TBR} + \text{vctofs} \\ &= \text{TBR} + (3\text{FC}_{\text{H}} - 4 \times \text{vct}) \\ \text{vctadr} &: \text{Vector address} \\ \text{vctofs} &: \text{Vector offset} \\ \text{vct} &: \text{Vector number} \end{aligned}$$

**■ PERIPHERAL RESOURCES**

**1. INSTRUCTION CACHE**

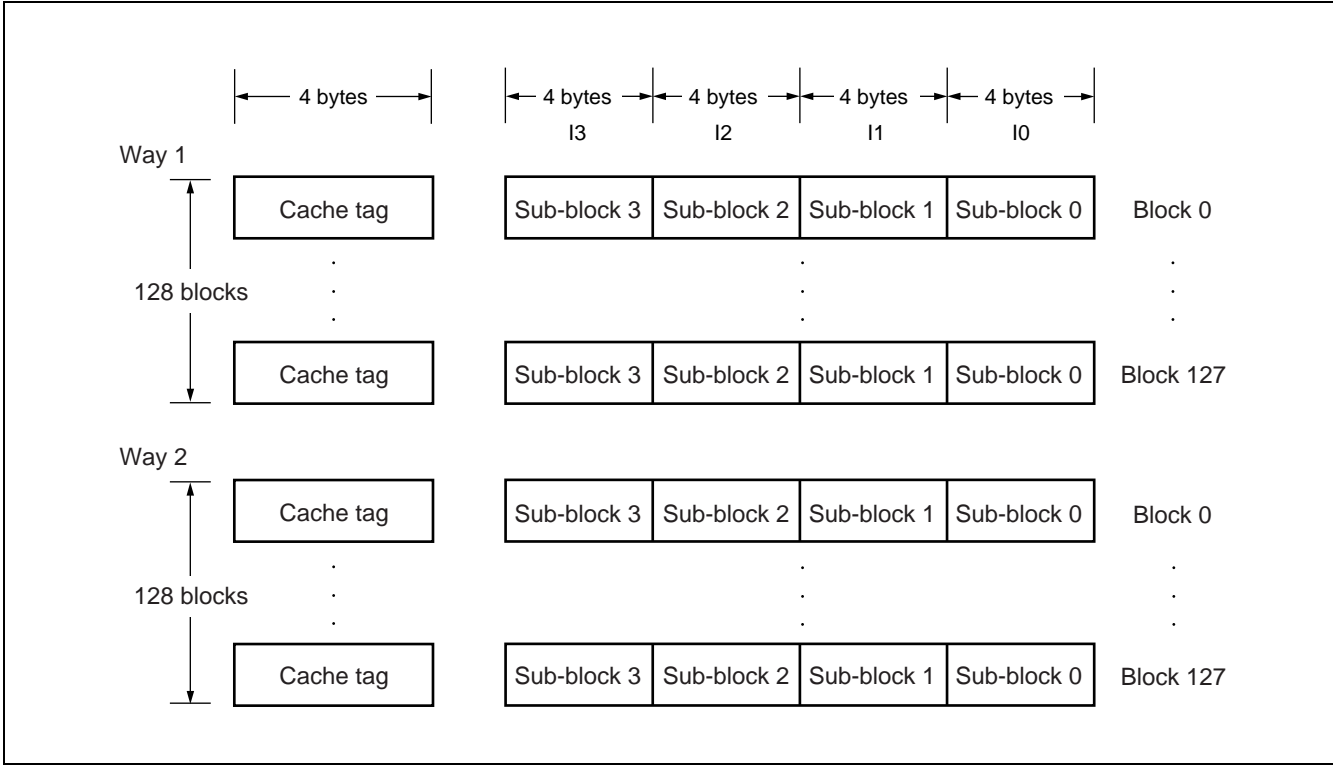
This section describes the instruction cache memory included in FR50 Family members and its operation. This only applies to MB91FV360GA.

**(1) General Description**

The instruction cache is temporary memory. When an external low-speed memory accesses an instruction code, the instruction cache stores the single-accessed code to increase the second and subsequent access speeds. Setting this memory to the RAM mode enables software to directly read and write instruction cache data RAM and tag RAM.

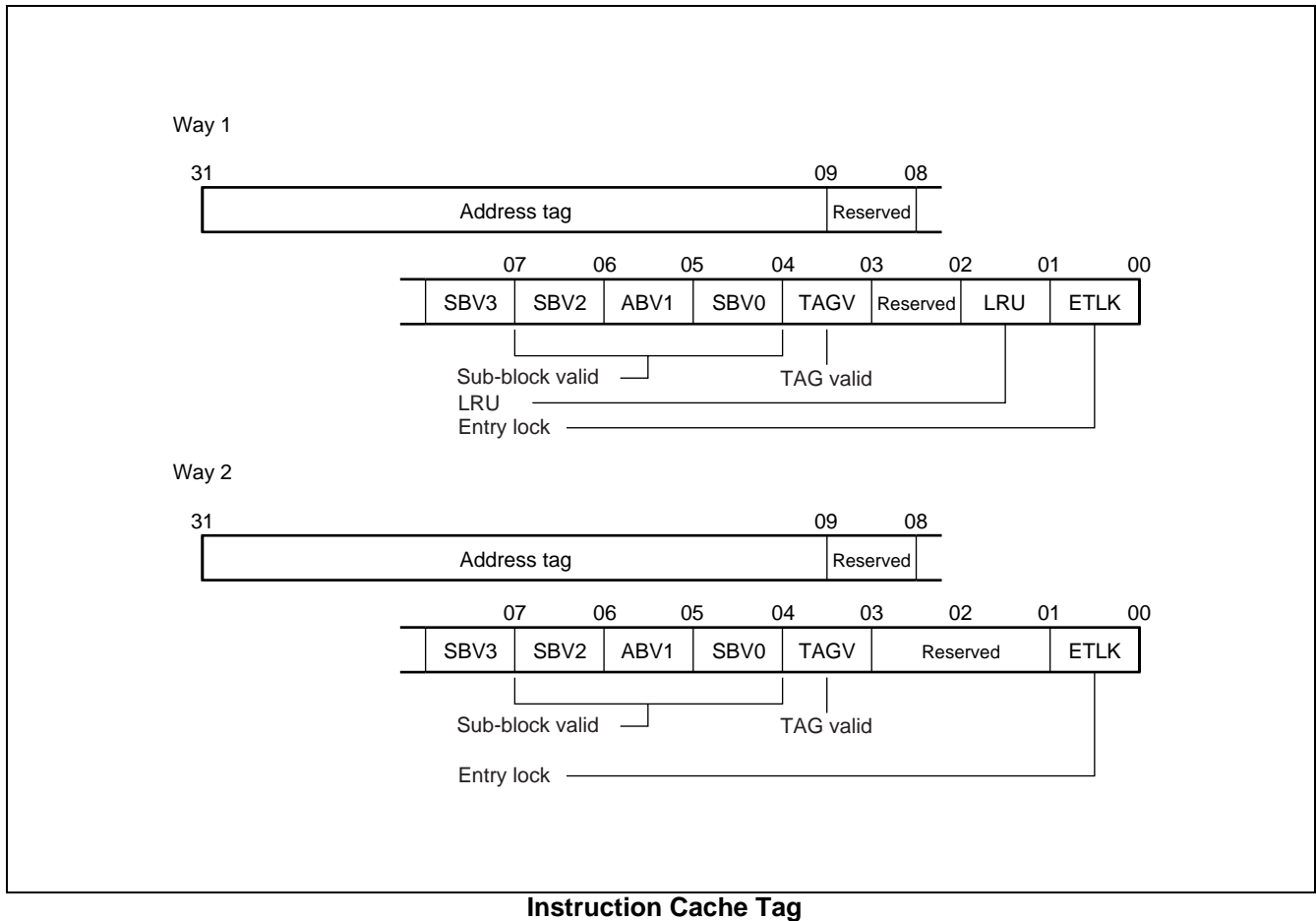
**(2) Main Body Structure**

- FR basic instruction length : 2 bytes
- Block arrangement system : 2-way set associative system
- Block
  - One way consists of 128 blocks.
  - One block consists of 16 bytes (= 4 sub-blocks) .
  - One sub-block consists of 4 bytes (= 1 bus access unit) .



**Instruction Cache Structure**

# MB91360G Series



## (3) Control Register Structure

IRBS (32 bits) Address : 00000300 <sub>H</sub>	31	30	29	28	27	26	25	24	Initial value 00000000 <sub>B</sub>
	0	0	0	0	0	0	0	0	
	R	R	R	R	R	R	R	R	

	23	22	21	20	19	18	17	16	Initial value 00000001 <sub>B</sub> ICR26
	0	0	0	0	0	0	0	1	
	R	R	R	R	R	R	R	R	

Address : 00000302 <sub>H</sub>	15	14	13	12	11	10	9	8	Initial value 0010 - - - - <sub>B</sub>
	IRBS	IRBS	IRBS	IRBS	—	—	—	—	
	R/W	R/W	R/W	R/W	—	—	—	—	

	7	6	5	4	3	2	1	0	Initial value - - - - - - - <sub>B</sub>
	—	—	—	—	—	—	—	—	
	—	—	—	—	—	—	—	—	

IRBS [bits 15 to 12] These bits are used to set the base address of cache RAM at access in the RAM mode. Align cache RAM in units of 4 K bytes. These bits are initialized by INIT. The initial value is the 00012000<sub>H</sub> address.

ISIZE (8 bits)									Initial value
00000307 <sub>H</sub>	7	6	5	4	3	2	1	0	- - - - - 11 <sub>B</sub>
	—	—	—	—	—	—	SIZE1	SIZE0	
	—	—	—	—	—	—	R/W	R/W	

The ICHCR (I-CacHe Control Register) controls the instruction cache operations. Writing to the ICHCR does not affect caching of instructions fetched within three subsequent cycles.

ICHCR (8 bits)									Initial value
000003E7 <sub>H</sub>	7	6	5	4	3	2	1	0	0 - 000000 <sub>B</sub>
	RAM	—	GBLK	ALFL	EOLK	ELKR	FLSH	ENAB	
	R/W	—	R/W	R/W	R/W	R/W	R/W	R/W	

# MB91360G Series

## 2. BOOT ROM

The Boot ROM is a fixed start-up routine which is located at FF000 (Reset entry) and will therefore be executed after every RST or INIT. The purpose of this ROM is to configure the device after a reset and to provide a simple serial bootloader for programming the embedded Flash memories.

The Boot ROM contains three logical parts :

### (1) Chip Initializations

Immediately after each reset, the following settings will be made :

CS0 : 200000...2FFFFFF, 32 Bit Bus, 1 wait-state (default external access)

CS7 : 100000...10FFFFF, 16 Bit Bus, 1 wait-state (CAN)

In addition, the Table-Base Register will be initialized to 1FFC00 (F361GA only) and the synchronous reset (see TBCR) will be enabled.

### (2) Check for Bootcondition

After the chip initialization, the "Security-Vector" will be checked (Vector #66) . The purpose of this feature is to disable the bootstraploader due to security reasons.

The RSRR (reset cause register) will be read and saved. If no power-on reset (external INITX input, RSRR = 0x80) is indicated, a branch to the user application will be initiated (Branch to 1F4000) .

If INITX was detected and the "Security-Vector" check okay, the following conditions must be met in order to start the Bootstraploader :

Within a certain time, the start-up character "V" must be received via UART0 (9600, 8N1) . The time-out is set to 200 ms.

### (3) Bootstraploader

If the Bootcondition was met, an acknowledge character "F" will be transmitted via UART0 to indicate that the Bootloader is ready to accept commands. 4 different commands are possible :

- Receive and write to a specified memory block
- Dump the contents of a specified memory block
- Initiate a "CALL" to a certain location
- Re-dump a calculated checksum for verification

### (4) Configuration Register (F362Mode Register F362MD)

This register is used to control which pins of the external bus interface are active, where the pins for the external DMA channel are located and which I<sup>2</sup>C module is used.

address	bit 15	bit 14	bit 13	bit 12	bit 11	bit 10	bit 9	bit 8
00001FE <sub>H</sub>	ADRSWAP	ASYMCLKT	HIZ_D_A	HIZ_ECLK	HIZ_D_23_16	HIZ_D_15_0	DMASWP	IICSEL
access	R/W	R/W	R/W	R/W	R/W	R/W	R/W	R/W
Initial value	0	0	0	0	0	0	0	0



### 3. CLOCK MODULATOR

An important property of MCUs and other electronic devices is their electromagnetic compatibility - EMC. Besides a low susceptibility against external interferences, a low radiated emission is desired to avoid interference of adjacent devices.

Particularly the system clock and derived signals such as data- and address busses contribute significantly to the radiated emission. The purpose of the clock modulator is to spread the energy of these signals over a wide range of frequencies and thus reducing the amplitudes of the fundamental and harmonic frequencies.

With the use of an advanced frequency modulation algorithm, the Fujitsu built in clock modulator can achieve an attenuation of up to 20-25 dB compared to non modulated clock operation. Since the modulator is highly configurable, it can be optimally adjusted to the actual application in order to achieve minimal electromagnetic interference.

By default, the modulator is disabled and the MCU is running with unmodulated clock.

If you plan to use this feature, please contact Fujitsu.

## 4. I/O PORTS

The I/O port registers consist of the “port data registers (PDR)”, the “data direction registers (DDR)” and the “port function registers (PFR)”.

The bits in PDRs correspond to the bits in DDRs and PFRs. Similarly, the register bits correspond to the port pins.

The port data registers contain the port I/O data and the data direction registers specify whether the corresponding bits (pins) are inputs or outputs. Bits set to “0” are inputs and bits set to “1” are outputs. The port function registers specify whether the port is used as peripheral port or as “I/O” port. Usually bits set to “0” mean I/O port and bits set to “1” mean functional port.

In case of analog peripherals there is additional circuitry to ensure that the digital logic is not disturbed by the analog signals. If the analog input function e.g. ADC is enabled the digital input is fixed to “0”.

- Input mode (DDR = “0”)  
PDR read : Reads the level on the corresponding external pin.  
PDR write : writes the PDR setting value.
- Output mode (DDR = “1”)  
PDR read : Reads the PDR value.  
PDR write : Outputs the PDR value to the corresponding external pins.

## (1) Register configuration

### Port Data Register

PDR7		7	6	5	4	3	2	1	0	Initial value	Access
Address : 00000007 <sub>H</sub>		P77	P76	P75	P74	P73	P72	P71	P70	1111XXXX <sub>B</sub>	R/W
PDR8		7	6	5	4	3	2	1	0	Initial value	Access
Address : 00000008 <sub>H</sub>		P87	P86	P85	P84	P83	P82	P81	P80	XXXXXXXX <sub>B</sub>	R/W
PDR9		7	6	5	4	3	2	1	0	Initial value	Access
Address : 00000009 <sub>H</sub>		P97	P96	P95	P94	P93	P92	P91	P90	XXXXXXXX1 <sub>B</sub>	R/W
PDRB		7	6	5	4	3	2	1	0	Initial value	Access
Address : 0000000B <sub>H</sub>		PB7	PB6	PB5	PB4	PB3	PB2	PB1	PB0	XXXXXXXX <sub>B</sub>	R/W
PDRG		7	6	5	4	3	2	1	0	Initial value	Access
Address : 00000010 <sub>H</sub>		PG7	PG6	PG5	PG4	PG3	PG2	PG1	PG0	XXXXXXXX <sub>B</sub>	R/W
PDRH		7	6	5	4	3	2	1	0	Initial value	Access
Address : 00000011 <sub>H</sub>		PH7	PH6	PH5	PH4	PH3	PH2	PH1	PH0	XXXXXXXX <sub>B</sub>	R/W
PDRI		7	6	5	4	3	2	1	0	Initial value	Access
Address : 00000012 <sub>H</sub>		P17	—	—	—	PI3	—	—	—	X - - - X - - - <sub>B</sub>	R/W
PDRJ		7	6	5	4	3	2	1	0	Initial value	Access
Address : 00000013 <sub>H</sub>		PJ7	PJ6	PJ5	PJ4	PJ3	PJ2	PJ1	PJ0	XXXXXXXX <sub>B</sub>	R/W
PDRK		7	6	5	4	3	2	1	0	Initial value	Access
Address : 00000014 <sub>H</sub>		PK7	PK6	PK5	PK4	PK3	PK2	PK1	PK0	XXXXXXXX <sub>B</sub>	R/W
PDRL		7	6	5	4	3	2	1	0	Initial value	Access
Address : 00000015 <sub>H</sub>		PL7	PL6	PL5	PL4	PL3	PL2	PL1	PL0	XXXXXXXX <sub>B</sub>	R/W
PDRM		7	6	5	4	3	2	1	0	Initial value	Access
Address : 00000016 <sub>H</sub>		—	—	—	—	PM3	PM2	PM1	PM0	- - - - XXXX <sub>B</sub>	R/W
PDRN		7	6	5	4	3	2	1	0	Initial value	Access
Address : 00000017 <sub>H</sub>		—	—	PN5	PN4	PN3	PN2	PN1	PN0	- - XXXXXX <sub>B</sub>	R/W
PDRO		7	6	5	4	3	2	1	0	Initial value	Access
Address : 00000018 <sub>H</sub>		PO7	PO6	PO5	PO4	PO3	PO2	PO1	PO0	XXXXXXXX <sub>B</sub>	R/W

(Continued)heet4U.com

# MB91360G Series

(Continued)

PDRP		7	6	5	4	3	2	1	0	Initial value	Access
Address: 00000019 <sub>H</sub>		PP7	PP6	PP5	PP4	PP3	PP2	PP1	PP0	XXXXXXXX <sub>B</sub>	R/W
PDRQ		7	6	5	4	3	2	1	0	Initial value	Access
Address: 0000001A <sub>H</sub>		—	—	PQ5	PQ4	PQ3	PQ2	PQ1	PQ0	--XXXXXX <sub>B</sub>	R/W
PDRR		7	6	5	4	3	2	1	0	Initial value	Access
Address: 0000001B <sub>H</sub>		PR7	PR6	PR5	PR4	PR3	PR2	PR1	PR0	XXXXXXXX <sub>B</sub>	R/W
PDRS		7	6	5	4	3	2	1	0	Initial value	Access
Address: 0000001C <sub>H</sub>		PS7	PS6	PS5	PS4	PS3	PS2	PS1	PS0	XXXXXXXX <sub>B</sub>	R/W

## Data directon Register

DDR7	7	6	5	4	3	2	1	0	Initial value	Access
Address : 00000607 <sub>H</sub>	P77	P76	P75	P74	P73	P72	P71	P70	00000000 <sub>B</sub>	R/W
DDR8	7	6	5	4	3	2	1	0	Initial value	Access
Address : 00000608 <sub>H</sub>	P87	P86	P85	P84	P83	P82	P81	P80	00000000 <sub>B</sub>	R/W
DDR9	7	6	5	4	3	2	1	0	Initial value	Access
Address : 00000609 <sub>H</sub>	P97	P96	P95	P94	P93	P92	P91	P90	00000000 <sub>B</sub>	R/W
DDRB	7	6	5	4	3	2	1	0	Initial value	Access
Address : 0000600B <sub>H</sub>	PB7	PB6	PB5	PB4	PB3	PB2	PB1	PB0	00000000 <sub>B</sub>	R/W
DDRG	7	6	5	4	3	2	1	0	Initial value	Access
Address : 00000400 <sub>H</sub>	PG7	PG6	PG5	PG4	PG3	PG2	PG1	PG0	00000000 <sub>B</sub>	R/W
DDRH	7	6	5	4	3	2	1	0	Initial value	Access
Address : 00000401 <sub>H</sub>	PH7	PH6	PH5	PH4	PH3	PH2	PH1	PH0	00000000 <sub>B</sub>	R/W
DDRI	7	6	5	4	3	2	1	0	Initial value	Access
Address : 00000402 <sub>H</sub>	—	—	—	—	PI3	—	—	—	--- 0 --- <sub>B</sub>	R/W
DDRJ	7	6	5	4	3	2	1	0	Initial value	Access
Address : 00000403 <sub>H</sub>	PJ7	PJ6	PJ5	PJ4	PJ3	PJ2	PJ1	PJ0	00000000 <sub>B</sub>	R/W
DDRK	7	6	5	4	3	2	1	0	Initial value	Access
Address : 00000404 <sub>H</sub>	PK7	PK6	PK5	PK4	PK3	PK2	PK1	PK0	00000000 <sub>B</sub>	R/W
DDRL	7	6	5	4	3	2	1	0	Initial value	Access
Address : 00000405 <sub>H</sub>	PL7	PL6	PL5	PL4	PL3	PL2	PL1	PL0	00000000 <sub>B</sub>	R/W
DDRM	7	6	5	4	3	2	1	0	Initial value	Access
Address : 00000406 <sub>H</sub>	—	—	—	—	PM3	PM2	PM1	PM0	--- 0000 <sub>B</sub>	R/W
DDRN	7	6	5	4	3	2	1	0	Initial value	Access
Address : 00000407 <sub>H</sub>	—	—	PN5	PN4	PN3	PN2	PN1	PN0	--00000 <sub>B</sub>	R/W
DDRO	7	6	5	4	3	2	1	0	Initial value	Access
Address : 00000408 <sub>H</sub>	PO7	PO6	PO5	PO4	PO3	PO2	PO1	PO0	00000000 <sub>B</sub>	R/W

(Continued)

# MB91360G Series

(Continued)

DDRP	7	6	5	4	3	2	1	0	Initial value	Access
Address: 00000409 <sub>H</sub>	PP7	PP6	PP5	PP4	PP3	PP2	PP1	PP0	00000000 <sub>B</sub>	R/W
DDRQ	7	6	5	4	3	2	1	0	Initial value	Access
Address: 0000040A <sub>H</sub>	—	—	PQ5	PQ4	PQ3	PQ2	PQ1	PQ0	--000000 <sub>B</sub>	R/W
DDRR	7	6	5	4	3	2	1	0	Initial value	Access
Address: 0000040B <sub>H</sub>	PR7	PR6	PR5	PR4	PR3	PR2	PR1	PR0	00000000 <sub>B</sub>	R/W
DDRS	7	6	5	4	3	2	1	0	Initial value	Access
Address: 0000040C <sub>H</sub>	PS7	PS6	PS5	PS4	PS3	PS2	PS1	PS0	00000000 <sub>B</sub>	R/W

## Port function registers (PFR)

PFR7	7	6	5	4	3	2	1	0	Initial value	Access
Address: 00000617 <sub>H</sub>	P77	P76	P75	P74	P73	P72	P71	P70	00001111 <sub>B</sub>	R/W
PFR8	7	6	5	4	3	2	1	0	Initial value	Access
Address: 00000618 <sub>H</sub>	P87	P86	P85	P84	P83	P82	—	—	111110 -- <sub>B</sub>	R/W
PFR9	7	6	5	4	3	2	1	0	Initial value	Access
Address: 00000619 <sub>H</sub>	P97	P96	P95	P94	P93	P92	P91	P90	11110101 <sub>B</sub>	R/W
PFRB	7	6	5	4	3	2	1	0	Initial value	Access
Address: 0000061B <sub>H</sub>	PB7	PB6	PB5	PB4	PB3	PB2	PB1	PB0	00000000 <sub>B</sub>	R/W
PFR27	7	6	5	4	3	2	1	0	Initial value	Access
Address: 00000627 <sub>H</sub>	P277	P276	P275	P274	P273	P272	P271	P270	1111 -00 - <sub>B</sub>	R/W
PFRG	7	6	5	4	3	2	1	0	Initial value	Access
Address: 00000410 <sub>H</sub>	PG7	PG6	PG5	PG4	PG3	PG2	PG1	PG0	00000000 <sub>B</sub>	R/W
PFRH	7	6	5	4	3	2	1	0	Initial value	Access
Address: 00000411 <sub>H</sub>	PH7	PH6	PH5	PH4	PH3	PH2	PH1	PH0	00000000 <sub>B</sub>	R/W
PFRI	7	6	5	4	3	2	1	0	Initial value	Access
Address: 00000412 <sub>H</sub>	—	—	—	—	PI3	—	—	—	----0 --- <sub>B</sub>	R/W
PFRJ	7	6	5	4	3	2	1	0	Initial value	Access
Address: 00000413 <sub>H</sub>	PJ7	PJ6	PJ5	PJ4	PJ3	PJ2	PJ1	PJ0	00000000 <sub>B</sub>	R/W
PFRK	7	6	5	4	3	2	1	0	Initial value	Access
Address: 00000414 <sub>H</sub>	PK7	PK6	PK5	PK4	PK3	PK2	PK1	PK0	00000000 <sub>B</sub>	R/W
PFRL	7	6	5	4	3	2	1	0	Initial value	Access
Address: 00000415 <sub>H</sub>	PL7	PL6	PL5	PL4	PL3	PL2	PL1	PL0	00000000 <sub>B</sub>	R/W
PFRM	7	6	5	4	3	2	1	0	Initial value	Access
Address: 00000416 <sub>H</sub>	—	—	—	—	PM3	PM2	PM1	PM0	----0000 <sub>B</sub>	R/W
PFRN	7	6	5	4	3	2	1	0	Initial value	Access
Address: 00000417 <sub>H</sub>	—	—	PN5	PN4	PN3	PN2	PN1	PN0	--000000 <sub>B</sub>	R/W

(Continued)

# MB91360G Series

(Continued)

PFR0	7	6	5	4	3	2	1	0	Initial value	Access
Address: 00000418 <sub>H</sub>	PO7	PO6	PO5	PO4	PO3	PO2	PO1	PO0	00000000 <sub>B</sub>	R/W
PFRP	7	6	5	4	3	2	1	0	Initial value	Access
Address: 00000419 <sub>H</sub>	PP7	PP6	PP5	PP4	PP3	PP2	PP1	PP0	00000000 <sub>B</sub>	R/W
PFRQ	7	6	5	4	3	2	1	0	Initial value	Access
Address: 0000041A <sub>H</sub>	—	—	PQ5	PQ4	PQ3	PQ2	PQ1	PQ0	-- 000000 <sub>B</sub>	R/W
PFRR	7	6	5	4	3	2	1	0	Initial value	Access
Address: 0000041B <sub>H</sub>	PR7	PR6	PR5	PR4	PR3	PR2	PR1	PR0	00000000 <sub>B</sub>	R/W
PFRS	7	6	5	4	3	2	1	0	Initial value	Access
Address: 0000041C <sub>H</sub>	PS7	PS6	PS5	PS4	PS3	PS2	PS1	PS0	00000000 <sub>B</sub>	R/W



## 5. DMA CONTROLLER (DMAC)

The DMAC module is used to implement direct memory access (DMA) transfer in FR50 series devices.

In a DMA transfer controlled by this module, various types of data can be transferred at high speed without involving the CPU, thus increasing system performance.

### (1) Hardware Configuration

The following are the main components of the DMAC module :

- Five independent DMA channels
- 5-channel independent access control circuit
- 32-bit address registers (Reload can be specified : Two registers for each channel.)
- 16-bit transfer count registers (Reload can be specified : One register for each channel.)
- 4-bit block count registers (One register for each channel)
- External transfer request input pins DREQ0, DREQ1, and DREQ2 (only channels 0, 1, and 2)
- External transfer request acceptance output pins DACK0, DACK1, and DACK2 (only channels 0, 1, and 2)
- DMA termination output pins DEOP0, DEOP1, and DEOP2 (only channels 0, 1, and 2)
- Two-cycle transfer

### (2) Main Functions

The following are the main functions of data transfer performed by the module :

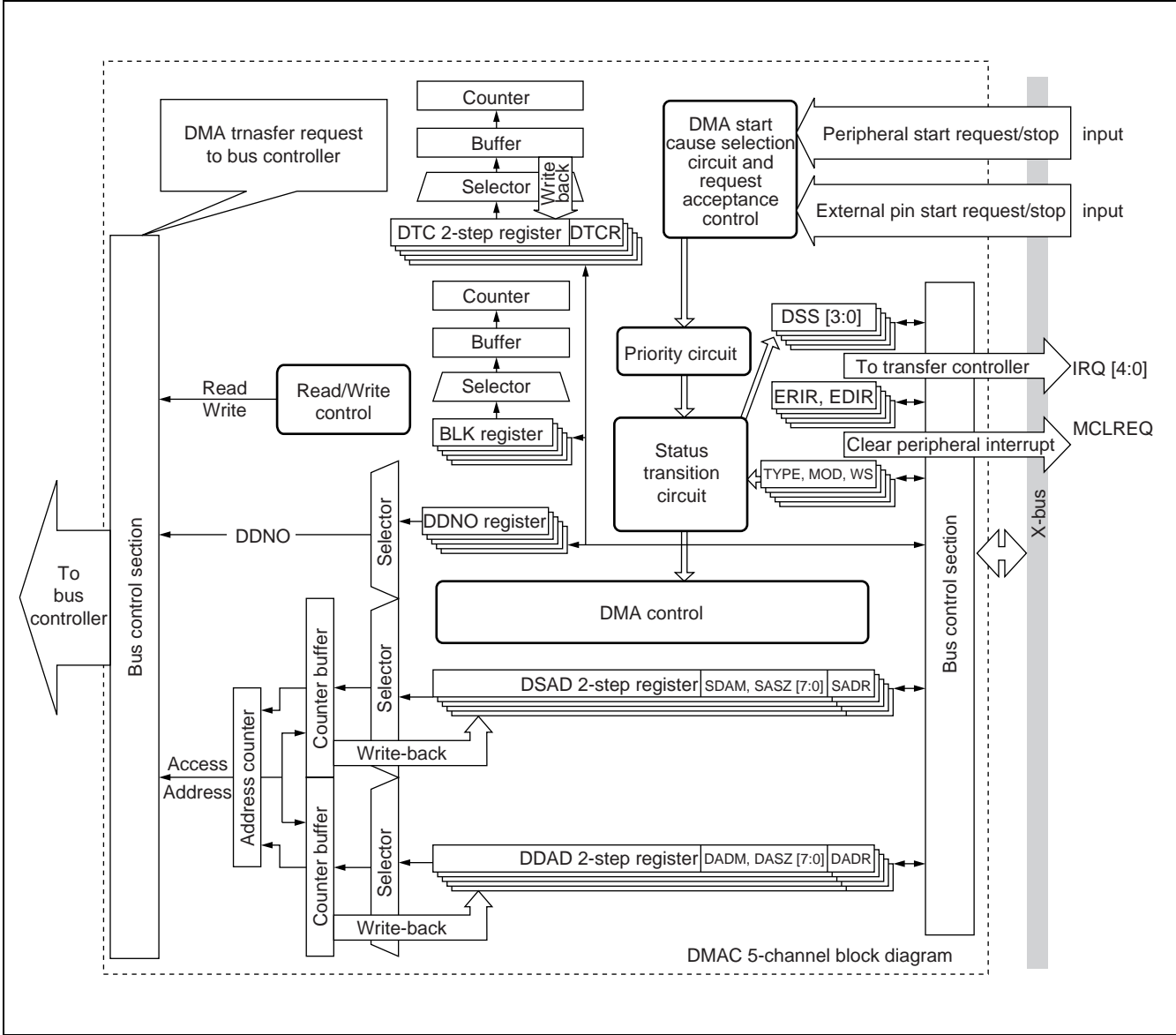
- Independent data transfer in multiple channels is enabled (5 channels) .
  - a : Priority (channel 0 > channel 1 > channel 2 > channel 3 > channel 4)
  - b : Priority can be alternated between channel 0 and channel 1.
  - c : DMAC start cause
    - External-only pin input (edge detection/level detection channels 0 to 2 only)
    - Internal peripheral request (interrupt request is shared, including external interrupts)
    - Software request (register write)
  - d : Transfer mode
    - Demand transfer, burst transfer, step transfer, block transfer
    - Addressing mode 32-bit full address specification (increase, decrease, fixed)  
(An address increment/decrement size of -255 to +255 can be specified.)
    - Data types of byte, halfword, and word lengths
    - Single-shot/reload selectable

# MB91360G Series

## (3) Registers Configuration

Channel 0 control/status register A	DMACA0 0000200H	<input type="text"/>
Channel 0 control/status register B	DMACB0 0000204H	<input type="text"/>
Channel 1 control/status register A	DMACA1 0000208H	<input type="text"/>
Channel 1 control/status register B	DMACB1 000020CH	<input type="text"/>
Channel 2 control/status register A	DMACA2 0000210H	<input type="text"/>
Channel 2 control/status register B	DMACB2 0000214H	<input type="text"/>
Channel 3 control/status register A	DMACA3 0000218H	<input type="text"/>
Channel 3 control/status register B	DMACB3 000021CH	<input type="text"/>
Channel 4 control/status register A	DMACA4 0000220H	<input type="text"/>
Channel 4 control/status register B	DMACB4 0000224H	<input type="text"/>
Overall control register	DMACR 0000240H	<input type="text"/>
Channel 0 transfer source address register	DMASA0 0001000H	<input type="text"/>
Channel 0 transfer destination address register	DMADA0 0001004H	<input type="text"/>
Channel 1 transfer source address register	DMASA1 0001008H	<input type="text"/>
Channel 1 transfer destination address register	DMADA1 000100CH	<input type="text"/>
Channel 2 transfer source address register	DMASA2 0001010H	<input type="text"/>
Channel 2 transfer destination address register	DMADA2 0001014H	<input type="text"/>
Channel 3 transfer source address register	DMASA3 0001018H	<input type="text"/>
Channel 3 transfer destination address register	DMADA3 000101CH	<input type="text"/>
Channel 4 transfer source address register	DMASA4 0001020H	<input type="text"/>
Channel 4 transfer destination address register	DMADA4 0001028H	<input type="text"/>

**(4) Block Diagram**



## 6. UART

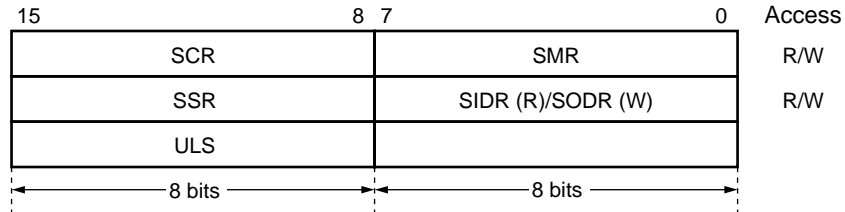
The UART is a serial I/O port for performing asynchronous (stop-start synchronization) communications. The MB91360G series contains three UART channels.

### (1) Features

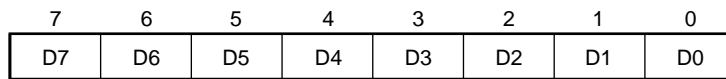
- Full-duplex, double buffering
- Supports asynchronous (stop-start synchronization) communications
- Supports multi-processor mode
- Fully programmable baud rate  
The baud rate can be set using an internal timer. (See the U-TIMER section.)
- Supports flexible baud rate setting using an external clock
- Error detection function (parity, framing, overrun)
- Non return to zero (NRZ) transfer signal
- Supports DMA transfer activation using an interrupt

## (2) Register Configuration

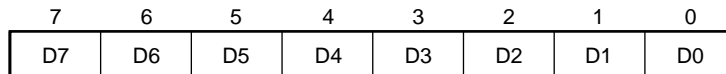
Register structure



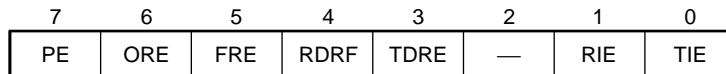
Serial input register (SIDR)



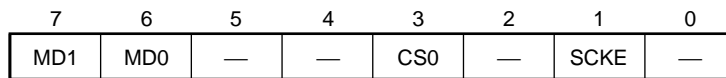
Serial output register (SODR)



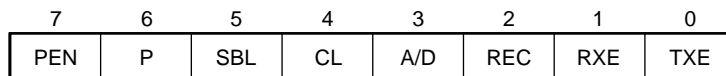
Serial status register (SSR)



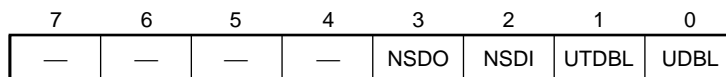
Serial mode register (SMR)



Serial control register (SCR)



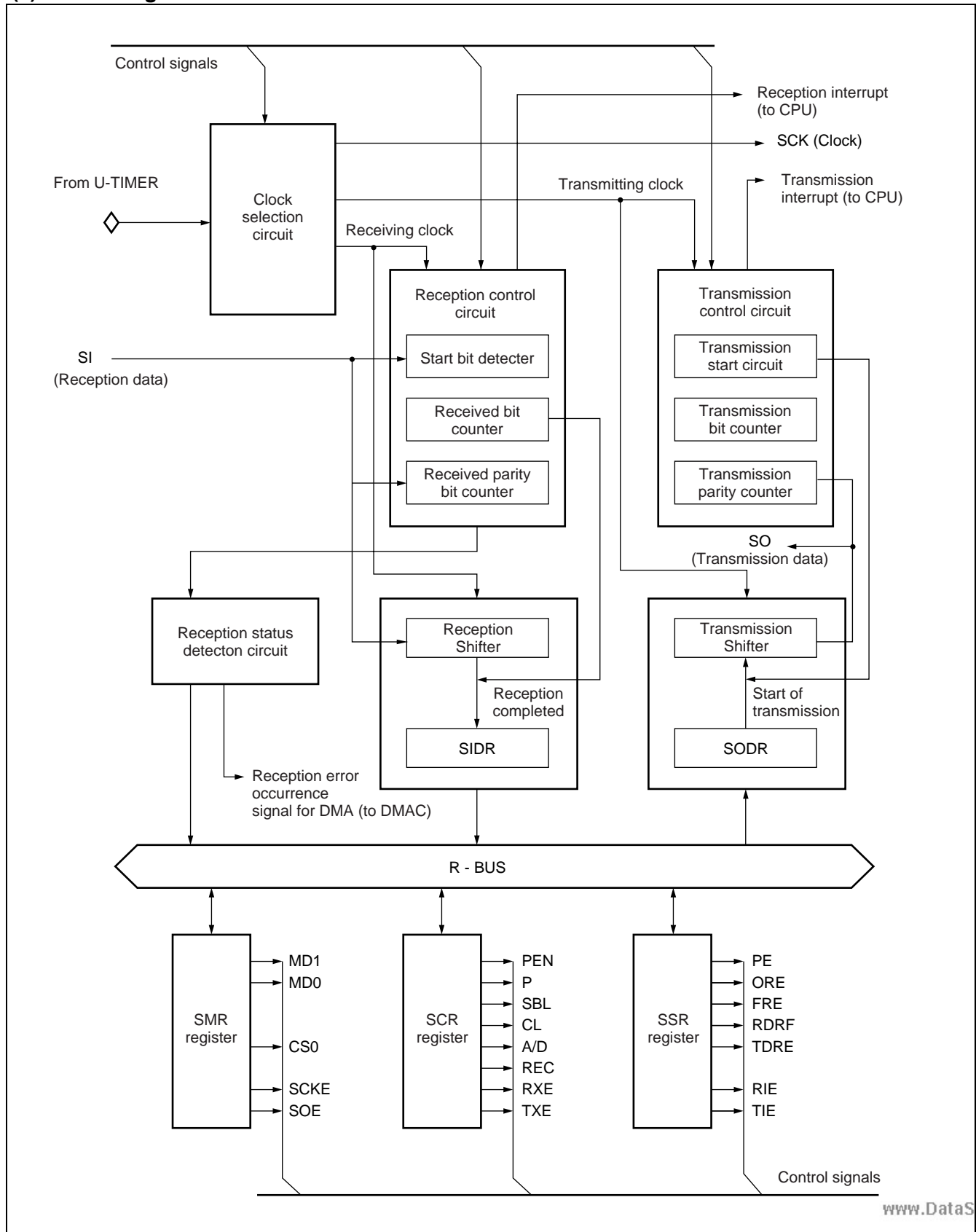
UART level select register (ULS)



SMR	Address	Bits	7	6	5	4	3	2	1	0	Initial value 00--0-00 <sub>B</sub> ← Access
	0000 0063 <sub>H</sub>		MD1	MD2	Reserved	Reserved	CS0	Reserved	Reserved	Reserved	
	0000 006F <sub>H</sub> 0000 007B <sub>H</sub>		R/W	R/W			W				
SCR	Address	Bits	7	6	5	4	3	2	1	0	Initial value 00000100 <sub>B</sub> ← Access
	0000 0062 <sub>H</sub>		PEN	P	SBL	CL	A/D	REC	RXE	TXE	
	0000 006E <sub>H</sub> 0000 007A <sub>H</sub>		R/W	R/W	R/W	R/W	R/W	W	R/W	R/W	

# MB91360G Series

## (3) Block Diagram

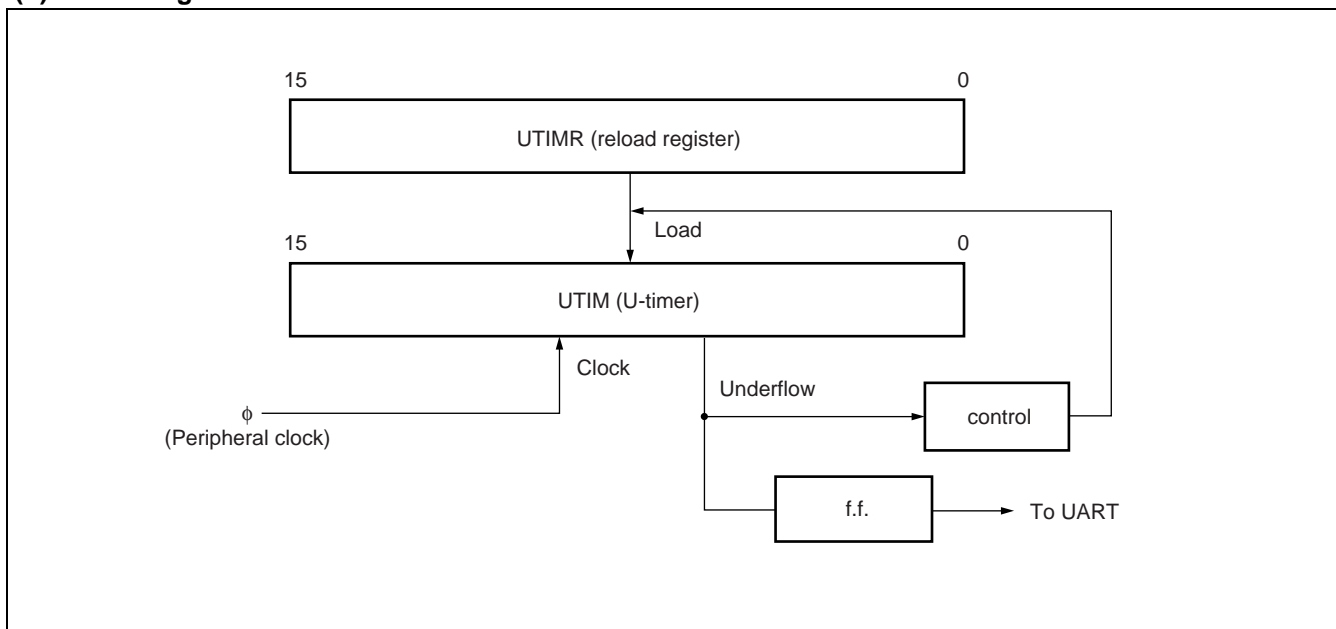


## 7. U-TIMER (16-bit Timer for UART Baud Rate Generation)

The U-timer (U-TIMER) is a 16-bit timer used to generate the baud rate for the UART. The operating frequency of the chip and the U-TIMER reload value can be combined to set a user-defined baud rate.

The MB91360G series contains three U-TIMER channels. The intervaltimers can count for a maximum of  $216 \times \phi$ .

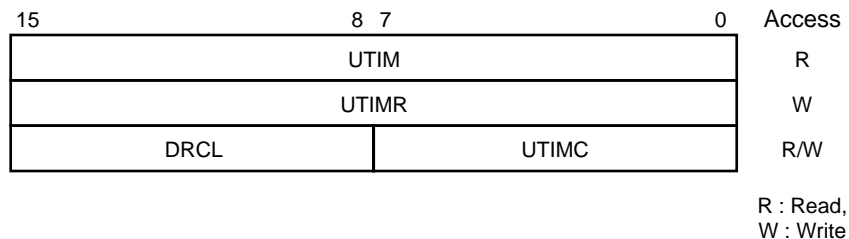
### (1) Block Diagram



# MB91360G Series

## (2) Register Configuration

Register structure



UTIM	Address	Bits	15	14	-----	2	1	0	Initial value	Access
0-ch	00000068H		b15	b14		b2	b1	b0	0	R
1-ch	00000074H									
2-ch	00000080H									

UTIMR Reload Register

UTIMR	Address	Bits	15	14	-----	2	1	0	Initial value	Access
0-ch	00000068H		b15	b14		b2	b1	b0	0	W
1-ch	00000074H									
2-ch	00000080H									

UTIMC U Timer Control Register

UTIMC	Address	7	6	5	4	3	2	1	0	Initial value	Access
0-ch	0000006BH	UCC1	—	—	—	UNDR	Reserved	UTST	UTCR	0---0001	R/W
1-ch	00000077H										
2-ch	00000083H										



## 8. PWM TIMER

The PWM (Pulse Width Modulation) timer can output high-precision pulse waves at an arbitrary cycle and pulse width (duty ratio) .

The MB91360G series contains eight PWM timer channels. Each of the channels consists of a 16-bit down-counter, cycle setting register, duty setting register, and pin controller.

The control status register for each channel is used to indicate the operation status of the PWM timer. General control registers 1 and 2 are common registers shared by four channels, serving for input and software triggering.

### (1) Features

- The count clock for the 16-bit down-counter can be selected from among the following four types :  
Internal clocks :  $\phi$ ,  $\phi/4$ ,  $\phi/16$ ,  $\phi/64$  ( $\phi$  : Machine clock for peripherals)
- The counter can be initialized to "FFFFH" by a reset or underflow.  
The 16-bit down-counter causes an underflow when it changes from "0000H" to "FFFFH".
- Each channel has PWM outputs.  
Eight channels : Eight output pins
- Registers  
Cycle setting register : Data reload register with buffer  
Data transfer from the buffer is performed either when an activation trigger is detected or when the down-counter causes an underflow (cycle match) . The output is inverted at a cycle match.  
Duty setting register : Compare register with buffer.  
The value set in this register is compared to the counter value. The output is inverted when the values match (duty match) .
- Pin control  
A duty match causes a reset to "1" (given priority) .  
An underflow causes a reset to "0".  
The output value fix mode enables output of all "L" or all "H".  
The polarity can also be specified.
- Interrupt requests can be generated by selecting the following interrupt sources :  
Activation of the PWM timer (software trigger or trigger input)  
Occurrence of an underflow (cycle match)  
Occurrence of a duty match  
Occurrence of an underflow (cycle match) or duty match
- You can set simultaneous activation of two or more channels using software or another interval timer. You can also set restarting the PWM timer during operation.

# MB91360G Series

## (2) Register Configuration for Channels 0 to 3

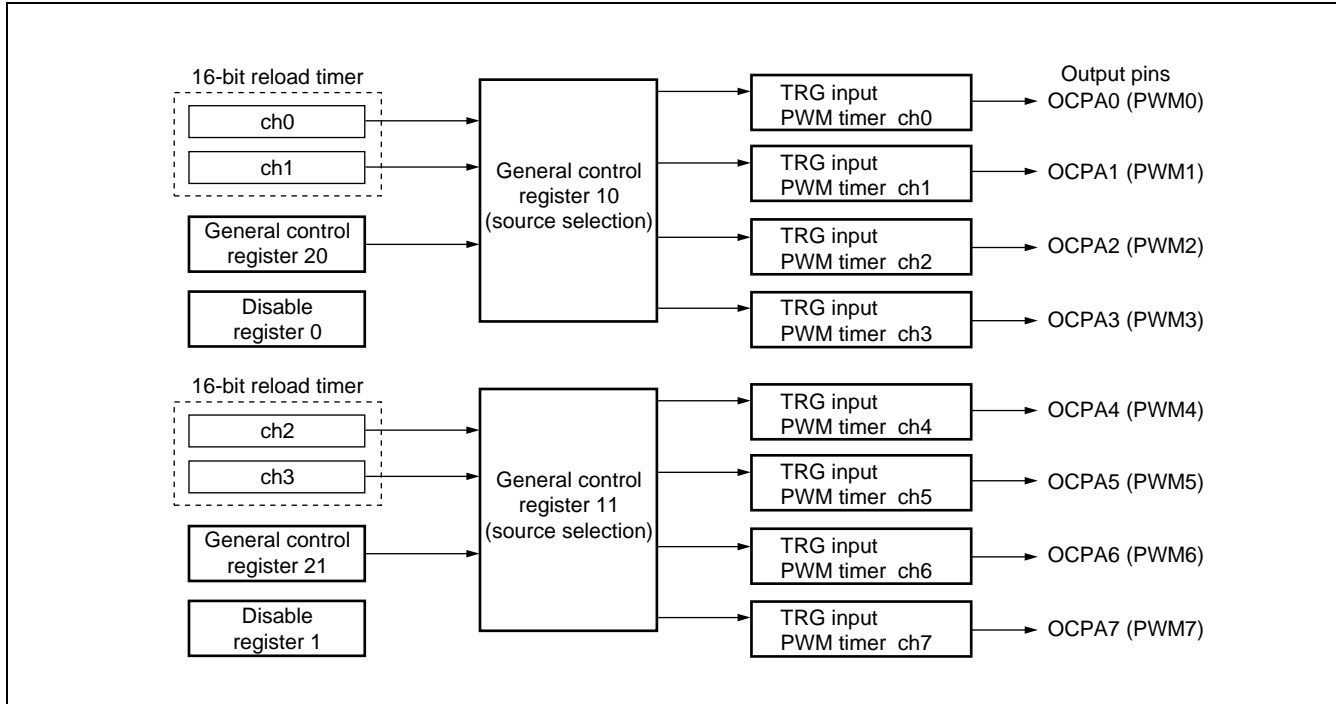
Address	Bits		Access	Register name
	15	8 7 0		
00000118H	GCN10		R/W	General control register 10
0000011AH	PDBL0	GCN20	R/W	Disable/General control register 20
-----				
PWM timer ch 0				
00000120H	PTMR		R	ch0 timer register
00000122H	PCSR		W	ch0 cycle setting register
00000124H	PDUT		W	ch0 duty setting register
00000126H	PCNH	PCNL	R/W	ch0 control status registers
-----				
PWM timer ch 1				
00000128H	PTMR		R	ch1 timer register
0000012AH	PCSR		W	ch1 cycle setting register
0000012CH	PDUT		W	ch1 duty setting register
0000012EH	PCNH	PCNL	R/W	ch1 control status registers
-----				
PWM timer ch 2				
00000130H	PTMR		R	ch2 timer register
00000132H	PCSR		W	ch2 cycle setting register
00000134H	PDUT		W	ch2 duty setting register
00000136H	PCNH	PCNL	R/W	ch2 control status registers
-----				
PWM timer ch 3				
00000138H	PTMR		R	ch3 timer register
0000013AH	PCSR		W	ch3 cycle setting register
0000013CH	PDUT		W	ch3 duty setting register
0000013EH	PCNH	PCNL	R/W	ch3 control status registers

## (3) PWM Timer Registers for Channels 4 to 7

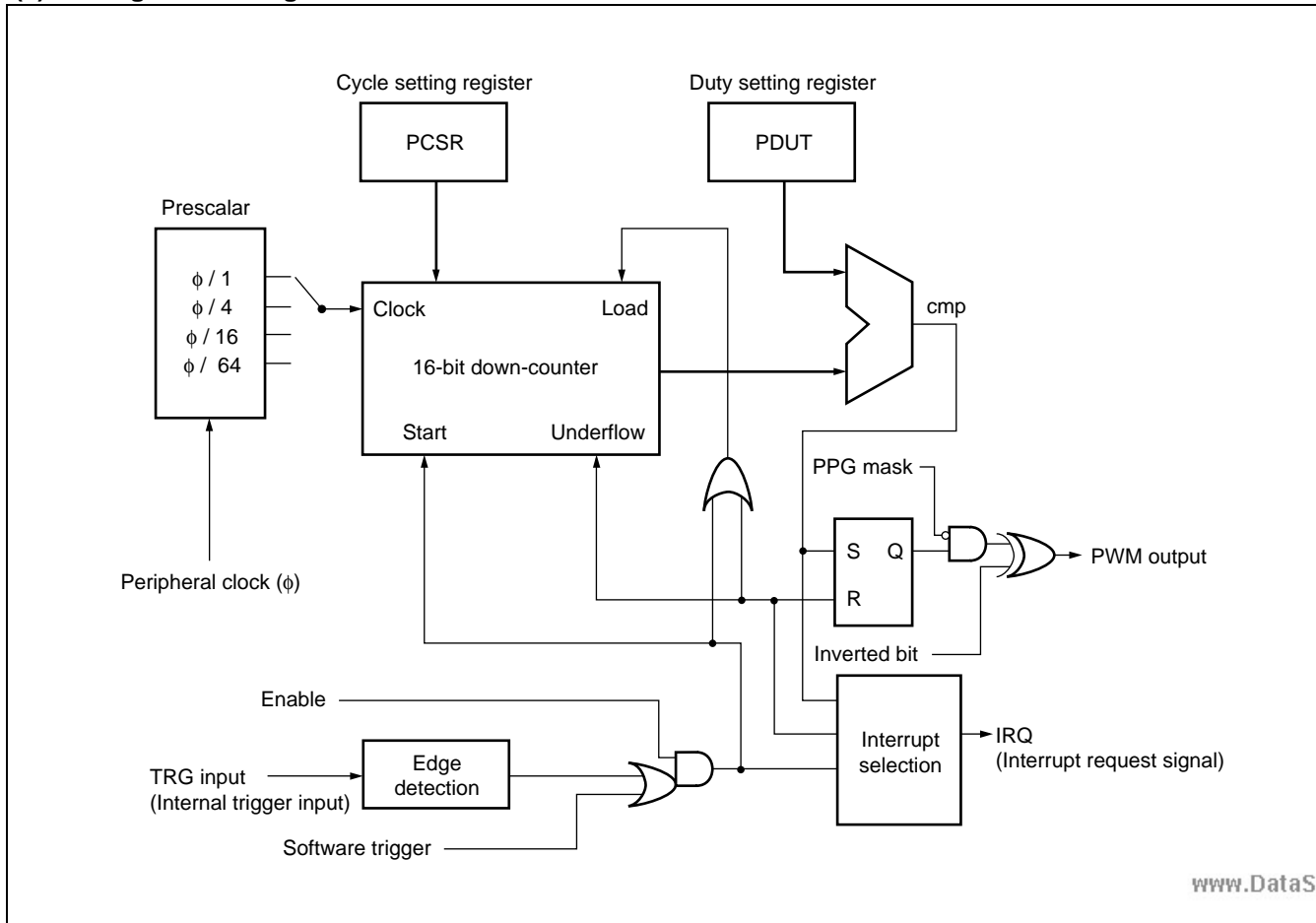
Address	Bits 15                      8 7                      0	Access	Register name
0000011CH	GCN11	R/W	General control register 11
0000011EH	PDBL1                      GCN21	R/W	Disable/General control register 21
-----			
PWM timer ch 4			
00000140H	PTMR	R	ch4 timer register
00000142H	PCSR	W	ch4 cycle setting register
00000144H	PDUT	W	ch4 duty setting register
00000146H	PCNH                      PCNL	R/W	ch4 control status registers
-----			
PWM timer ch 5			
00000148H	PTMR	R	ch5 timer register
0000014AH	PCSR	W	ch5 cycle setting register
0000014CH	PDUT	W	ch5 duty setting register
0000014EH	PCNH                      PCNL	R/W	ch5 control status registers
-----			
PWM timer ch 6			
00000150H	PTMR	R	ch6 timer register
00000152H	PCSR	W	ch6 cycle setting register
00000154H	PDUT	W	ch6 duty setting register
00000156H	PCNH                      PCNL	R/W	ch6 control status registers
-----			
PWM timer ch 7			
00000158H	PTMR	R	ch7 timer register
0000015AH	PCSR	W	ch7 cycle setting register
0000015CH	PDUT	W	ch7 duty setting register
0000015EH	PCNH                      PCNL	R/W	ch7 control status registers

# MB91360G Series

## (4) Configuration Diagram of the Entire PWM Timer



## (5) Configuration Diagram of PWM Timer 1 ch



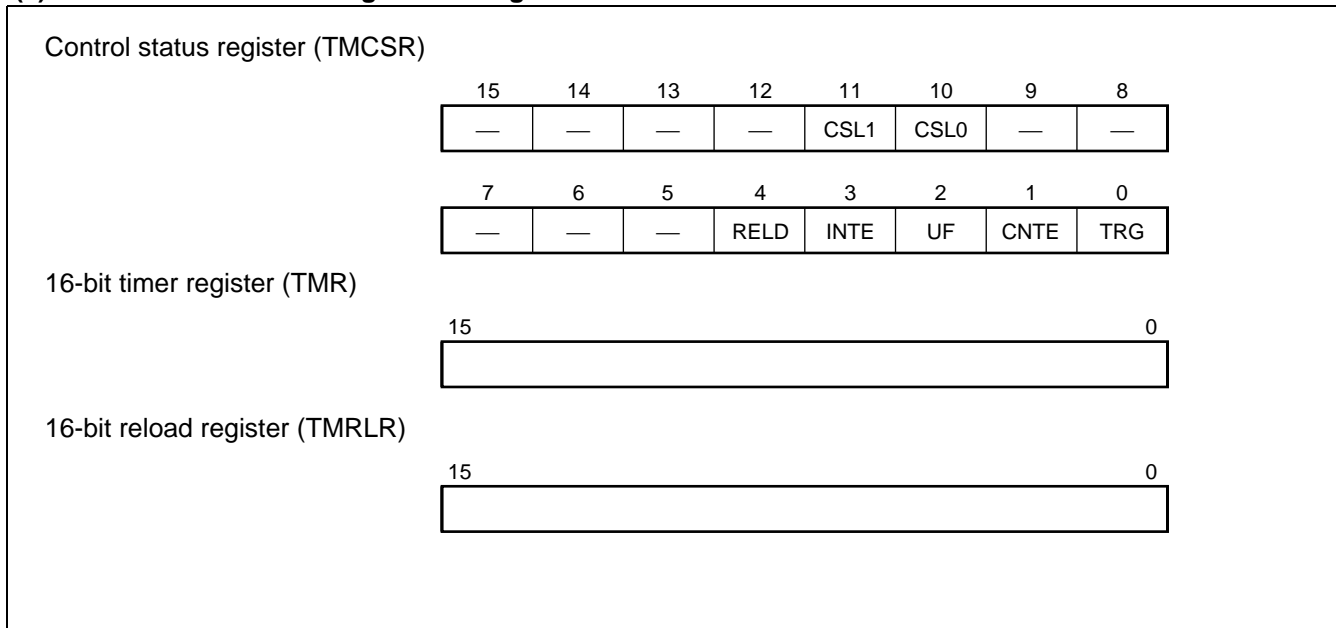
## 9. 16-BIT RELOAD TIMER

Each 16-bit reload timer consists of a 16-bit down-counter, a 16-bit reload register, a prescaler for generating the internal count clock, and a control register.

The 16-bit reload timer can also activate DMA transfer using interrupts.

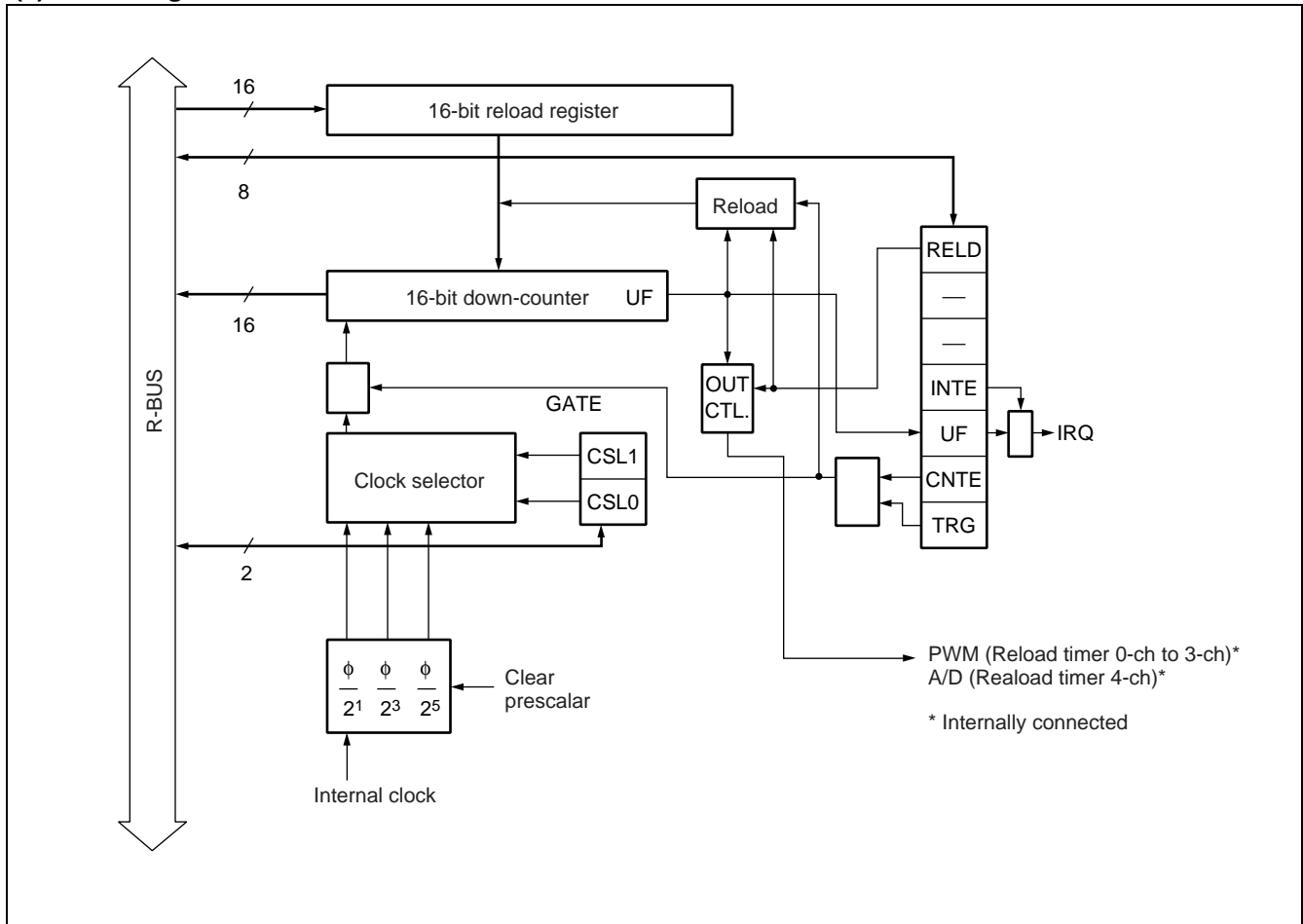
The MB91360G series contains six 16-bit reload timer channels.

### (1) 16 bit Reload Timer Register Configuration



# MB91360G Series

(2) Block diagram



## 10. BIT SEARCH MODULE

The bit search module searches for a "0", "1", or change-point in the data written to the input register and returns the position of the detected bit.

This section describes the data register for detecting zeros (BSD0), data register for detecting ones (BSD1), data register for detecting change-points (BSDC), and detection result register (BSRR).

### a : Data register for detecting zeros (BSD0)

Address	31	Register structure	0	Initial value	Access
0000 03F0H	[ ]			Indeterminate	W

### b : Date register for detecting ones (BSD1)

Address	31	Register structure	0	Initial value	Access
0000 03F4H	[ ]			Indeterminate	R/W

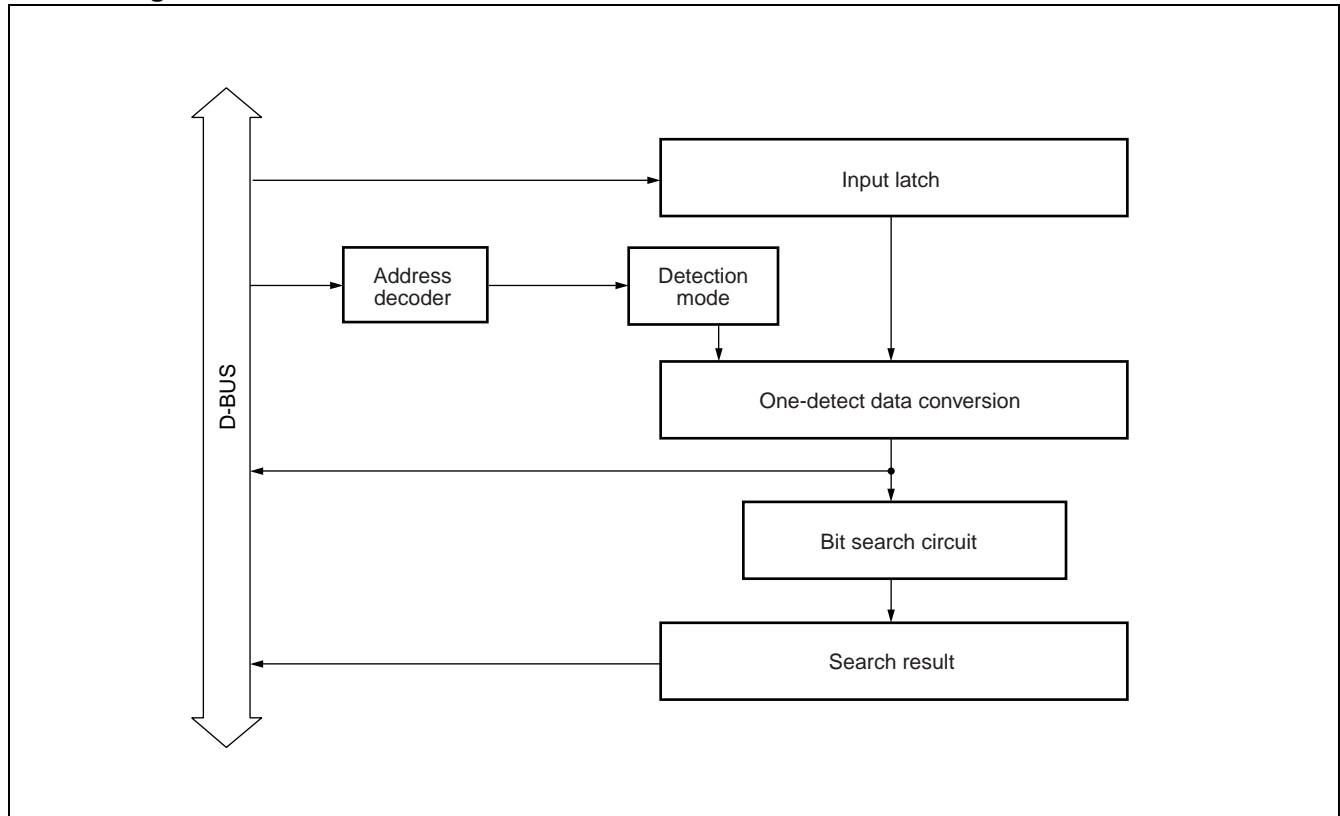
### c : Data register for detecting change points (BSDC)

Address	31	Register structure	0	Initial value	Access
0000 03F8H	[ ]			Indeterminate	W

### d : Detection Result Register (BSRR)

Address	31	Register structure	0	Initial value	Access
0000 03FCH	[ ]			Indeterminate	R

## • Block Diagram of the Bit Search Module





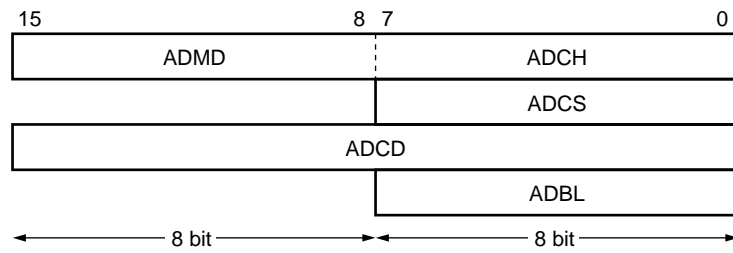
## 11. 10-BIT A/D CONVERTER (Successive Approximation Conversion Type)

This section provides an overview of the A/D converter, describes the register structure and functions, and describes the operation of the A/D converter.

A/D Converter converts analog input voltage into digital values, and provides the following features.

- Conversion time : minimum 178 cycles (32 MHz : 5.6  $\mu$ s, 24 MHz : 7.4  $\mu$ s, 16 MHz : 11.2  $\mu$ s) per channel
- RC type successive approximation conversion with sample & hold circuit
- 10-bit resolution
- Program selection analog input from 16 channels
  - Single conversion mode : conversion of one selected channel
  - Scan conversion mode : continuous conversion of multiple channels, programmable for up to 16 channels
  - Single conversion mode : Convert the specified channel once only.
- Continuous mode : Repeatedly convert the specified channels.
- Stop mode : Convert one channel then temporarily halt until the next activation.  
(Enables synchronization of the conversion start timing.)
- A/D conversion can be followed by an A/D conversion interrupt request to CPU. This interrupt, an option that is ideal for continuous processing can be used to start a DMA transfer of the results of A/D conversion to memory.
- Startup may be by software, external trigger (falling edge) or timer (rising edge)

# MB91360G Series



Channel setting register (ADCH)

bit	7	6	5	4	3	2	1	0
Address : 00009D <sub>H</sub>	ANS3	ANS2	ANS1	ANS0	ANE3	ANE2	ANE1	ANE0

Mode register (ADMD)

bit	15	14	13	12	11	10	9	8
Address : 00009C <sub>H</sub>	—	—	—	—	MOD1	MOD0	STS1	STS0

Control status register (ADCS)

bit	7	6	5	4	3	2	1	0
Address : 00009F <sub>H</sub>	BUSY	INT	INTE	PAUS	—	—	STRT	Reserved

Data register (ADCD)

bit	7	6	5	4	3	2	1	0
Address : 0000A1 <sub>H</sub>	D7	D6	D5	D4	D3	D2	D1	D0

bit	15	14	13	12	11	10	9	8
Address : 0000A0 <sub>H</sub>	—	—	—	—	—	—	D9	D8

Disable register (ADBL)

bit	15	14	13	12	11	10	9	8
Address : 0000A3 <sub>H</sub>	—	—	—	—	—	—	—	DBL



## 12. INTERRUPT CONTROLLER

An interrupt controller controls interrupt acceptance and arbitration processing.

Hardware configuration

This module consists of the following :

- ICR register
- Interrupt priority evaluation circuit
- Interrupt level and interrupt number (vector) generator
- Hold request cancel request generator

Major functions

This module has the following major functions :

- Detecting an NMI request or interrupt request
- Priority evaluation (using the level or number)
- Transferring the level of the interrupt cause in the evaluation result (to the CPU)
- Transferring the number of the interrupt cause in the evaluation result (to the CPU)
- Instructing recovery from stop mode due to an NMI or interrupt level other than 11111 (to the CPU)
- Generating a hold request cancel request for the bus master

## (1) Register Configuration

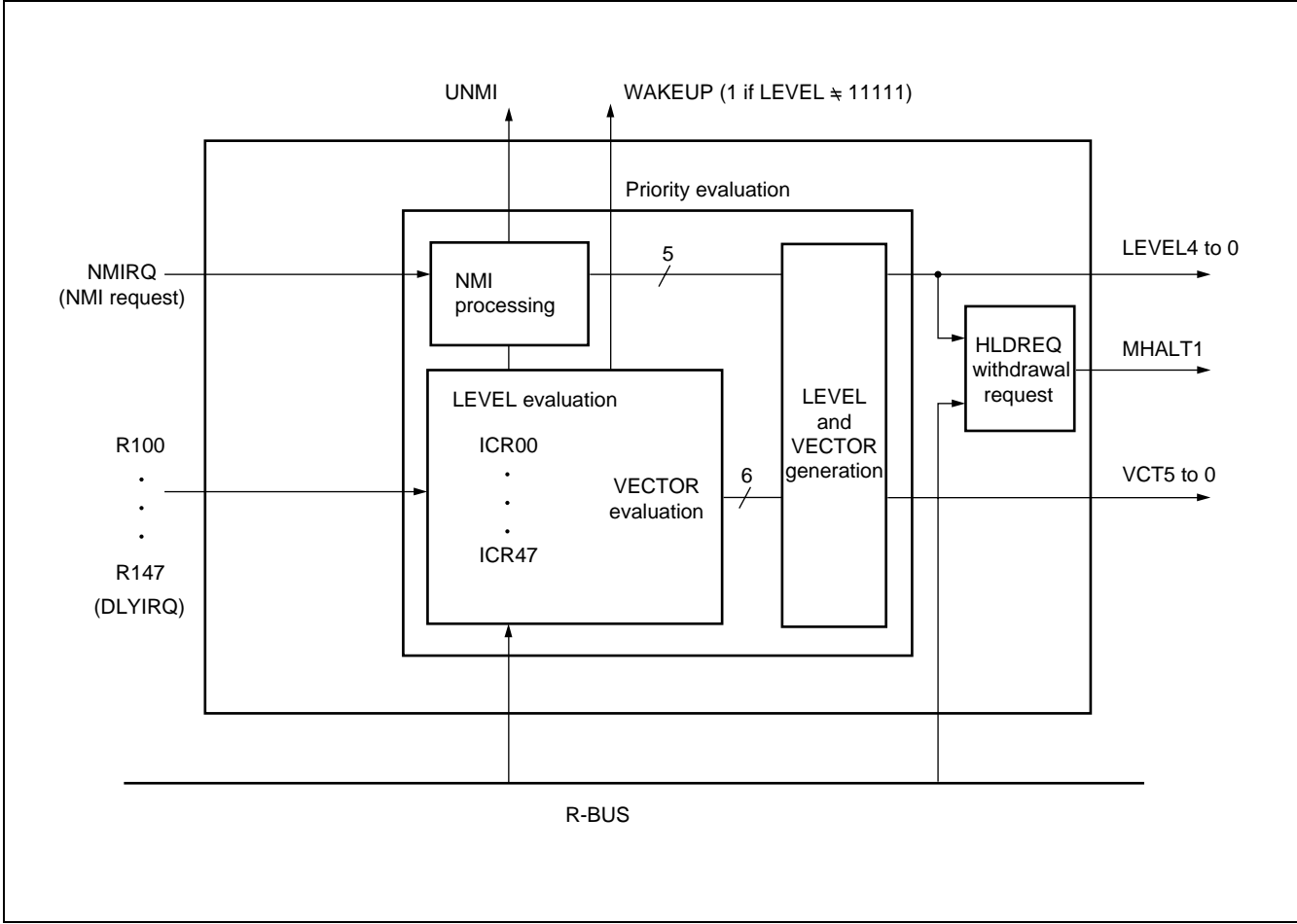
	bit 7	6	5	4	3	2	1	0	
Address : 00000440H	—	—	—	ICR4	ICR3	ICR2	ICR1	ICR0	ICR00
Address : 00000441H	—	—	—	ICR4	ICR3	ICR2	ICR1	ICR0	ICR01
Address : 00000442H	—	—	—	ICR4	ICR3	ICR2	ICR1	ICR0	ICR02
Address : 00000443H	—	—	—	ICR4	ICR3	ICR2	ICR1	ICR0	ICR03
Address : 00000444H	—	—	—	ICR4	ICR3	ICR2	ICR1	ICR0	ICR04
Address : 00000445H	—	—	—	ICR4	ICR3	ICR2	ICR1	ICR0	ICR05
Address : 00000446H	—	—	—	ICR4	ICR3	ICR2	ICR1	ICR0	ICR06
Address : 00000447H	—	—	—	ICR4	ICR3	ICR2	ICR1	ICR0	ICR07
Address : 00000448H	—	—	—	ICR4	ICR3	ICR2	ICR1	ICR0	ICR08
Address : 00000449H	—	—	—	ICR4	ICR3	ICR2	ICR1	ICR0	ICR09
Address : 0000044AH	—	—	—	ICR4	ICR3	ICR2	ICR1	ICR0	ICR10
Address : 0000044BH	—	—	—	ICR4	ICR3	ICR2	ICR1	ICR0	ICR11
Address : 0000044CH	—	—	—	ICR4	ICR3	ICR2	ICR1	ICR0	ICR12
Address : 0000044DH	—	—	—	ICR4	ICR3	ICR2	ICR1	ICR0	ICR13
Address : 0000044EH	—	—	—	ICR4	ICR3	ICR2	ICR1	ICR0	ICR14
Address : 0000044FH	—	—	—	ICR4	ICR3	ICR2	ICR1	ICR0	ICR15
Address : 00000450H	—	—	—	ICR4	ICR3	ICR2	ICR1	ICR0	ICR16
Address : 00000451H	—	—	—	ICR4	ICR3	ICR2	ICR1	ICR0	ICR17
Address : 00000452H	—	—	—	ICR4	ICR3	ICR2	ICR1	ICR0	ICR18
Address : 00000453H	—	—	—	ICR4	ICR3	ICR2	ICR1	ICR0	ICR19
Address : 00000454H	—	—	—	ICR4	ICR3	ICR2	ICR1	ICR0	ICR20
Address : 00000455H	—	—	—	ICR4	ICR3	ICR2	ICR1	ICR0	ICR21
Address : 00000456H	—	—	—	ICR4	ICR3	ICR2	ICR1	ICR0	ICR22
Address : 00000457H	—	—	—	ICR4	ICR3	ICR2	ICR1	ICR0	ICR23
Address : 00000458H	—	—	—	ICR4	ICR3	ICR2	ICR1	ICR0	ICR24
Address : 00000459H	—	—	—	ICR4	ICR3	ICR2	ICR1	ICR0	ICR25
Address : 0000045AH	—	—	—	ICR4	ICR3	ICR2	ICR1	ICR0	ICR26
Address : 0000045BH	—	—	—	ICR4	ICR3	ICR2	ICR1	ICR0	ICR27
Address : 0000045CH	—	—	—	ICR4	ICR3	ICR2	ICR1	ICR0	ICR28
Address : 0000045DH	—	—	—	ICR4	ICR3	ICR2	ICR1	ICR0	ICR29
Address : 0000045EH	—	—	—	ICR4	ICR3	ICR2	ICR1	ICR0	ICR30
Address : 0000045FH	—	—	—	ICR4	ICR3	ICR2	ICR1	ICR0	ICR31
				R	R/W	R/W	R/W	R/W	

# MB91360G Series

(Continued)

	bit 7	6	5	4	3	2	1	0	
Address : 00000460H	—	—	—	ICR4	ICR3	ICR2	ICR1	ICR0	ICR32
Address : 00000461H	—	—	—	ICR4	ICR3	ICR2	ICR1	ICR0	ICR33
Address : 00000462H	—	—	—	ICR4	ICR3	ICR2	ICR1	ICR0	ICR34
Address : 00000463H	—	—	—	ICR4	ICR3	ICR2	ICR1	ICR0	ICR35
Address : 00000464H	—	—	—	ICR4	ICR3	ICR2	ICR1	ICR0	ICR36
Address : 00000465H	—	—	—	ICR4	ICR3	ICR2	ICR1	ICR0	ICR37
Address : 00000466H	—	—	—	ICR4	ICR3	ICR2	ICR1	ICR0	ICR38
Address : 00000467H	—	—	—	ICR4	ICR3	ICR2	ICR1	ICR0	ICR39
Address : 00000468H	—	—	—	ICR4	ICR3	ICR2	ICR1	ICR0	ICR40
Address : 00000469H	—	—	—	ICR4	ICR3	ICR2	ICR1	ICR0	ICR41
Address : 0000046AH	—	—	—	ICR4	ICR3	ICR2	ICR1	ICR0	ICR42
Address : 0000046BH	—	—	—	ICR4	ICR3	ICR2	ICR1	ICR0	ICR43
Address : 0000046CH	—	—	—	ICR4	ICR3	ICR2	ICR1	ICR0	ICR44
Address : 0000046DH	—	—	—	ICR4	ICR3	ICR2	ICR1	ICR0	ICR45
Address : 0000046EH	—	—	—	ICR4	ICR3	ICR2	ICR1	ICR0	ICR46
Address : 0000046FH	—	—	—	ICR4	ICR3	ICR2	ICR1	ICR0	ICR47
				R	R/W	R/W	R/W	R/W	
Address : 00000045H	MHALTI	—	—	LVL4	LVL3	LVL2	LVL1	LVL0	HRCL
	R/W			R	R/W	R/W	R/W	R/W	

(2) Block Diagram



# MB91360G Series

## 13. EXTERNAL INTERRUPT/NMI CONTROL BLOCK

The external interrupt/NMI controller controls external interrupt requests input from the NMI and INT0 to INT7 pins.

Detection of “H” levels, “L” levels, rising edges, or falling edges can be selected (except for the NMI) .

The external interrupt/NMI controller can also be used for DMA requests.

This section lists the registers of the controller and provides its block diagram.

### (1) Register configuration of the External Interrupt NMI Controller

External interruption permission register (ENIR)

Bit	7	6	5	4	3	2	1	0
	EN7	EN6	EN5	EN4	EN3	EN2	EN1	EN0

External interruption factors register (EIRR)

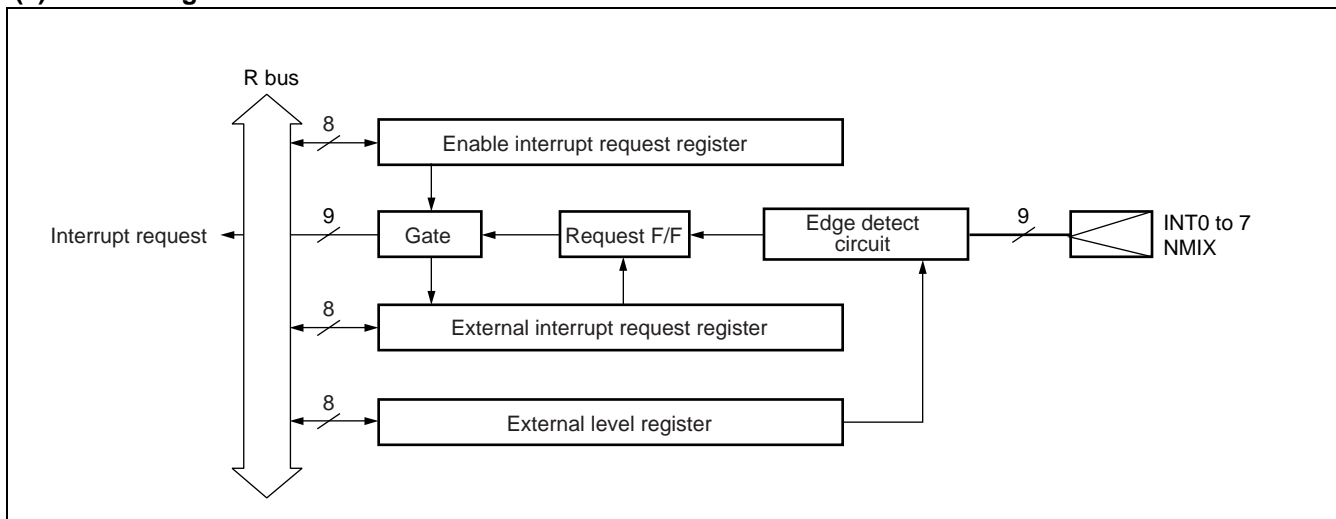
Bit	15	14	13	12	11	10	9	8
	ER7	ER6	ER5	ER4	ER3	ER2	ER1	ER0

Request level setting register (ELVR)

Bit	15	14	13	12	11	10	9	8
	LB7	LA7	LB6	LA6	LB5	LA5	LB4	LA4

Bit	7	6	5	4	3	2	1	0
	LB3	LA3	LB2	LA2	LB1	LA1	LB0	LA0

### (2) Block diagram



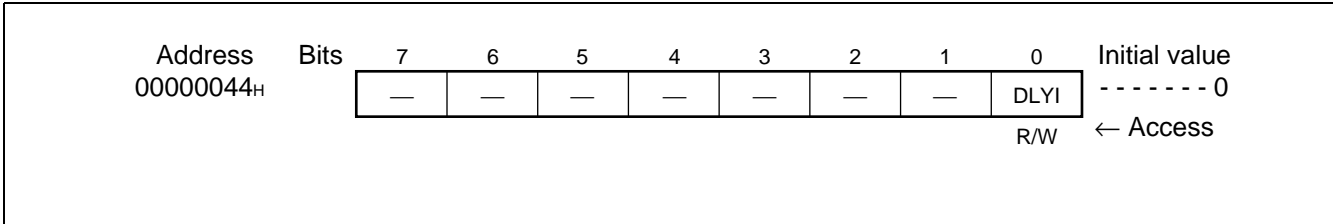


## 14. DELAYED INTERRUPT

### Delayed Interrupt Control Register (DICR)

The delayed interrupt control register (DICR) is a delayed interrupt generator register and is used to generate the task switching interrupt.

#### Structure of the DICR



# MB91360G Series

## 15. CLOCK GENERATION

The MB91V360 generates internal operating clocks as follows :

- Base clock generation : Device scales clock source input by 2 (X clock) or oscillates base clock with PLL to generate basic clock (PLL clock)
- Generation of each internal clock : Device scales base clock to generate clocks supplied to each block

Generation and control of each clock are explained below.

Some devices allow the operation of the RTC module based on a separate 32 kHz subclock. See the section about subclock operation for more details.

### (1) Register Configuration

#### RSRR : Reset Source Register, Watchdog Timer Control Register

bit	15	14	13	12	11	10	9	8
address : 00000480 <sub>H</sub>	INIT	HSTB	WDOG	ERST	SRST	—	WT1	WT0
access	R	R	R	R	R	—	R/W	R/W
Initial Value (INITX)	1	0	0	0	0	—	0	0
Initial Value (INIT)	*	*	*	X	X	—	0	0
Initial Value (RST)	X	X	X	*	*	—	0	0
After Boot ROM **	0	0	0	0	0	0	0	0

\* : varies with reset factor

x : not initialized

\*\* : After execution of the program in the internal boot ROM the reset source is visible

#### STCR : Standby Control Register

bit	7	6	5	4	3	2	1	0
address : 00000481 <sub>H</sub>	STOP	SLEEP	HIZ	SRST	OS1	OS0	OSCD2	OSCD1
access	R/W	R/W	R/W	R/W	R/W	R/W	R/W	R/W
Initial Value (INITX)	0	0	1	1	0	0	1	1
Initial Value (HSTX) *	0	0	1	1	1	1	1	1
Initial Value (INIT)	0	0	1	1	X	X	1	1
Initial Value (RST)	0	0	X	1	X	X	X	X

\* : Valid only when this initialization is performed simultaneously with initialization by INITX : others same as INIT.

(Continued)

## TBCR : Time-based counter control register

bit	15	14	13	12	11	10	9	8
address : 00000482 <sub>H</sub>	TBIF	TBIE	TBC2	TBC1	TBC0	—	SYNCR	SYNCS
Initial Value (INIT)	0	0	X	X	X	X	0	0
Initial Value (RST)	0	0	X	X	X	X	X	X
	R/W	R/W	R/W	R/W	R/W	R/W	R/W	R/W

## CTBR : Time-based counter clear register

bit	7	6	5	4	3	2	1	0
address : 00000483 <sub>H</sub>	D7	D6	D5	D4	D3	D2	D1	D0
Initial Value (INIT)	X	X	X	X	X	X	X	X
Initial Value (RST)	X	X	X	X	X	X	X	X
	W	W	W	W	W	W	W	W

## CLKR : Clock source control register

bit	15	14	13	12	11	10	9	8
address : 00000484 <sub>H</sub>	PLL2S0	PLL1S2	PLL1S1	PLL1S0	PLL2EN	PLL1EN	CLKS1	CLKS0
Initial Value (INIT)	R/W	R/W	R/W	R/W	R/W	R/W	R/W	R/W
Initial Value (RST)	0	0	0	0	0	0	0	0
	X	X	X	X	X	X	X	X

## WPR Watchdog reset generation postponement register

bit	7	6	5	4	3	2	1	0
address : 00000485 <sub>H</sub>	D7	D6	D5	D4	D3	D2	D1	D0
Initial Value (INIT)	R/W	R/W	R/W	R/W	R/W	R/W	R/W	R/W
Initial Value (RST)	X	X	X	X	X	X	X	X
	X	X	X	X	X	X	X	X

## DIVR0 : Base clock division setting register 0

bit	7	6	5	4	3	2	1	0
address : 00000486 <sub>H</sub>	B3	B2	B1	B0	P3	P2	P1	P0
Initial Value (INIT)	R/W	R/W	R/W	R/W	R/W	R/W	R/W	R/W
Initial Value (RST)	0	0	0	0	0	0	1	1
	X	X	X	X	X	X	X	X

## DIVR1 : Base clock division setting register 1

bit	7	6	5	4	3	2	1	0
address : 00000487 <sub>H</sub>	T3	T2	T1	T0	S3	S2	S1	S0
Initial Value (INIT)	R/W	R/W	R/W	R/W	R/W	R/W	R/W	R/W
Initial Value (RST)	0	0	0	0	0	0	0	0
	X	X	X	X	X	X	X	X

(Continued)

# MB91360G Series

(Continued)

## CMCR : Clock Control for CAN Modules

address	bit 15	bit 14	bit 13	bit 12	bit 11	bit 10	bit 9	bit 8	initial
0164H	PRE7	PRE6	PRE5	PRE4	PRE3	PRE2	PRE1	PRE0	11111111

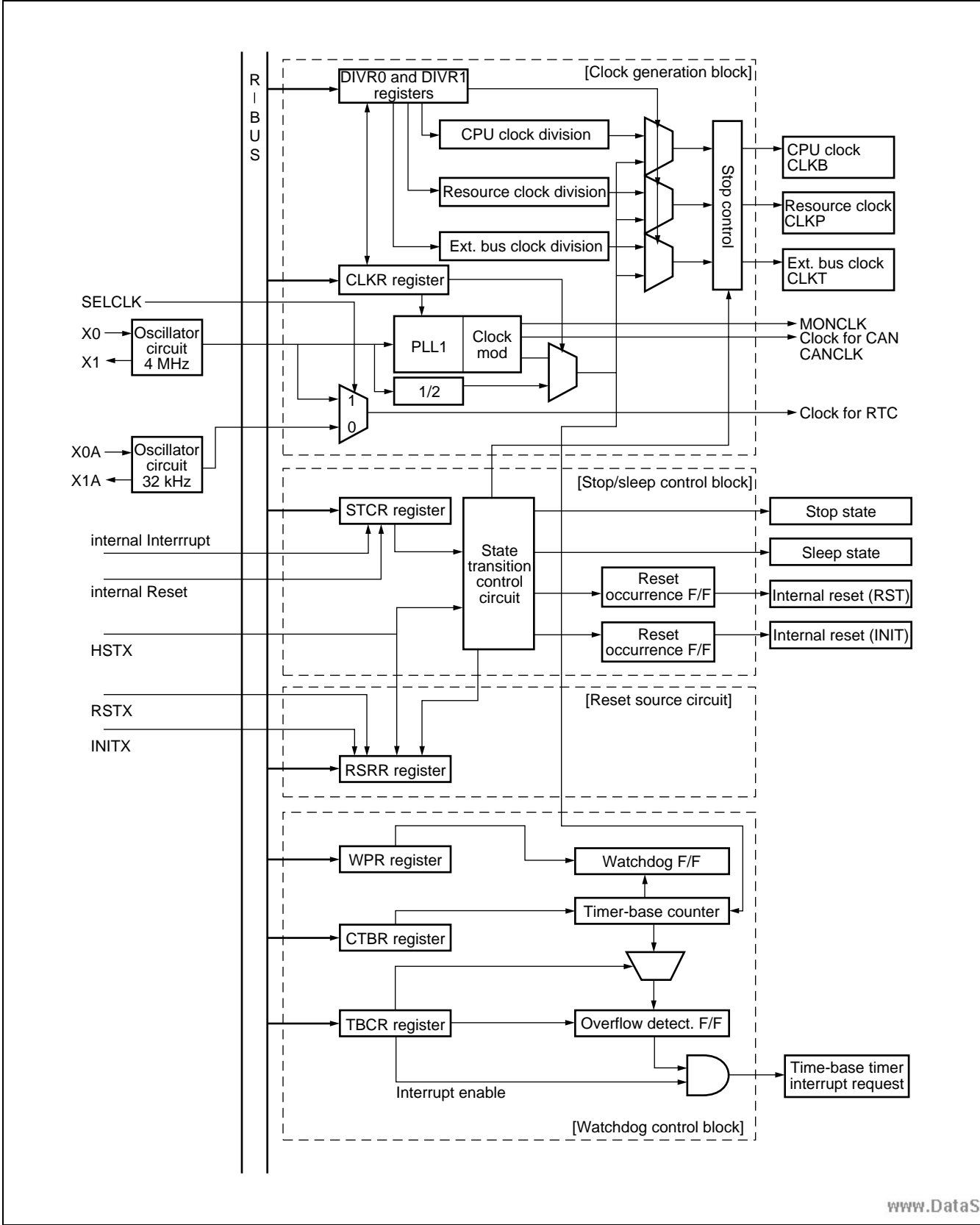
address	bit 7	bit 6	bit 5	bit 4	bit 3	bit 2	bit 1	bit 0	initial
0165H	PRES	—	—	—	—	—	—	—	00000000

## Subclock RTC32 (CLKR2)

This register is used to control the RTC32 mode bit for use in subclock system.

address	bit 15	bit 14	bit 13	bit 12	bit 11	bit 10	bit 9	bit 8
000046H	—	—	—	—	—	—	—	RTC32
access						R/W	R/W	R/W
initial value						0	0	0

## (2) Block Diagram



# MB91360G Series

## 16. BUS INTERFACE

The external bus interface controls the interfaces with the external memory and external I/Os.

- Up to 32-bit (4 GB) address output.
- Up to eight independent banks provided by chip-select function  
The banks can be set in 64-KB (minimum) at any position in the logic address space.  
Can be set to no area
- 32/16/8 bit bus width setup can be performed for each chip-select area.
- Programmable automatic memory wait (up to 7 cycles) insertion
- Unused address/data pins can be used as I/O ports. (But see notes below)

Note : Chip Select Area CS7 is used for the internal CAN modules. The necessary register settings are done by an internal boot routine. Take care not to overwrite register bits related to this CS area.

If the CAN macros which are connected internally to the external bus (also called User Logic Bus) are used, a certain number of data, address and control ports of the external bus interface cannot be configured as general purpose IO ports.

### (1) Register Configuration

Area select Registers (ASR0 to ASR7)							Initial value	Access		
ASR0	15	14	13	12	2	1	0	INIT	RST	
00000640 <sub>H</sub>	A31	A30	A29	.....	A18	A17	A16	0000 <sub>H</sub>	0000 <sub>H</sub>	W
ASR1	15	14	13	12	2	1	0	INIT	RST	
00000644 <sub>H</sub>	A31	A30	A29	.....	A18	A17	A16	0000 <sub>H</sub>	XXXX <sub>H</sub>	W
ASR2	15	14	13	12	2	1	0	INIT	RST	
00000648 <sub>H</sub>	A31	A30	A29	.....	A18	A17	A16	0000 <sub>H</sub>	XXXX <sub>H</sub>	W
ASR3	15	14	13	12	2	1	0	INIT	RST	
0000064C <sub>H</sub>	A31	A30	A29	.....	A18	A17	A16	0000 <sub>H</sub>	XXXX <sub>H</sub>	W
ASR4	15	14	13	12	2	1	0	INIT	RST	
00000650 <sub>H</sub>	A31	A30	A29	.....	A18	A17	A16	0000 <sub>H</sub>	XXXX <sub>H</sub>	W
ASR5	15	14	13	12	2	1	0	INIT	RST	
00000654 <sub>H</sub>	A31	A30	A29	.....	A18	A17	A16	0000 <sub>H</sub>	XXXX <sub>H</sub>	W
ASR6	15	14	13	12	2	1	0	INIT	RST	
00000658 <sub>H</sub>	A31	A30	A29	.....	A18	A17	A16	0000 <sub>H</sub>	XXXX <sub>H</sub>	W
ASR7	15	14	13	12	2	1	0	INIT	RST	
0000065C <sub>H</sub>	A31	A30	A29	.....	A18	A17	A16	0000 <sub>H</sub>	XXXX <sub>H</sub>	W

After execution of the code in the initial boot ROM ASR0 is set to "0x20", and ASR7 to "0x10".

(Continued)

(Continued)

### Area Mask Register (AMR0 to AMR7)

Register	15	14	13	12	...	2	1	0	Initial value	Access	
AMR0 00000642 <sub>H</sub>	A31	A30	A29	.....			A18	A17	A16	INIT RST FFFF <sub>H</sub> FFFF <sub>H</sub>	W
AMR1 00000646 <sub>H</sub>	A31	A30	A29	.....			A18	A17	A16	INIT RST 0000 <sub>H</sub> XXXX <sub>H</sub>	W
AMR2 0000064A <sub>H</sub>	A31	A30	A29	.....			A18	A17	A16	INIT RST 0000 <sub>H</sub> XXXX <sub>H</sub>	W
AMR3 0000064E <sub>H</sub>	A31	A30	A29	.....			A18	A17	A16	INIT RST 0000 <sub>H</sub> XXXX <sub>H</sub>	W
AMR4 0000652 <sub>H</sub>	A31	A30	A29	.....			A18	A17	A16	INIT RST 0000 <sub>H</sub> XXXX <sub>H</sub>	W
AMR5 00000656 <sub>H</sub>	A31	A30	A29	.....			A18	A17	A16	INIT RST 0000 <sub>H</sub> XXXX <sub>H</sub>	W
AMR6 0000065A <sub>H</sub>	A31	A30	A29	.....			A18	A17	A16	INIT RST 0000 <sub>H</sub> XXXX <sub>H</sub>	W
AMR7 0000065E <sub>H</sub>	A31	A30	A29	.....			A18	A17	A16	INIT RST 0000 <sub>H</sub> XXXX <sub>H</sub>	W

### Area Mode Registers (AMD0 to AMD7)

00000660 <sub>H</sub>	—	—	RDYE	BW1	BW0	WTC2	WTC1	WTC0	00000111 <sub>B</sub>	R / W
-----------------------	---	---	------	-----	-----	------	------	------	-----------------------	-------

### CHE (CaChE Enable register)

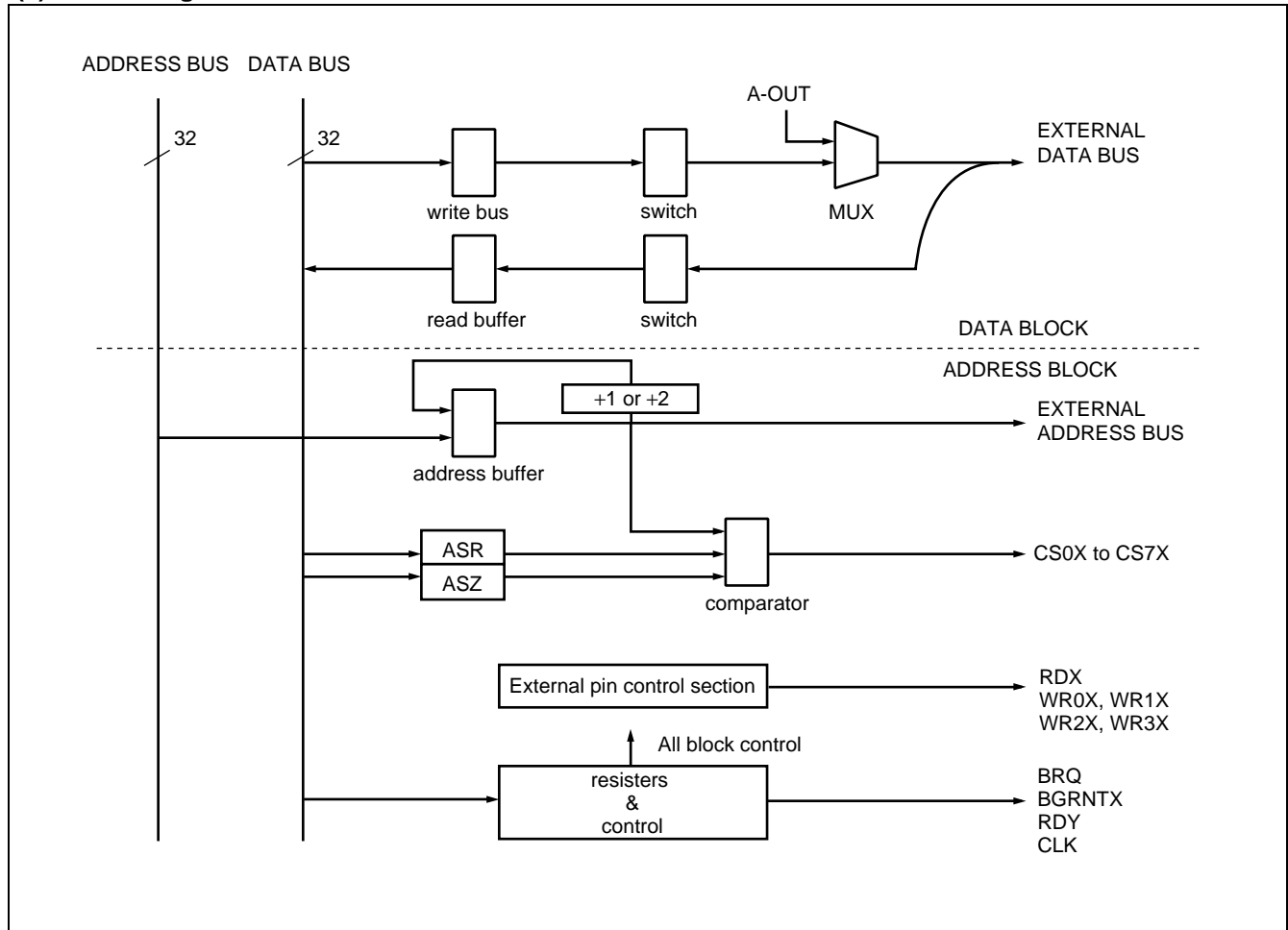
00000670 <sub>H</sub>	CHE7	CHE6	CHE5	CHE4	CHE3	CHE2	CHE1	CHE0	11111111 <sub>B</sub>	R / W
-----------------------	------	------	------	------	------	------	------	------	-----------------------	-------

### CSE (Chip Select Enable register)

00000668 <sub>H</sub>	CSE7	CSE6	CSE5	CSE4	CSE3	CSE2	CSE1	CSE0	00000001 <sub>B</sub>	R / W
-----------------------	------	------	------	------	------	------	------	------	-----------------------	-------

# MB91360G Series

## (2) Block Diagram





## 17. CAN CONTROLLER

This section provides an overview of the CAN Interface, describes the register structure and functions, and describes the operation of the CAN Interface.

The CAN controller is a module built into a MB91360G series. The CAN (Controller Area Network) is the standard protocol for serial communication between automobile controllers and is widely used in industrial applications.

The CAN controller has the following features :

- Conforms to CAN Specification Version 2.0 Part A and B
  - Supports transmission/reception in standard frame and extended frame formats
- Supports transmitting of data frames by receiving remote frames
- 16 transmitting/receiving message buffers
  - 29-bit ID and 8-byte data
  - Multi-level message buffer configuration
- Supports full-bit comparison, full-bit mask and partial bit mask filtering.
  - Two acceptance mask registers in either standard frame format or extended frame formats
- Bit rate programmable from 10 Kbits/s to 1 Mbits/s (when input clock is at 16 MHz)

The following sections only describe CAN 0. For the addresses of the registers of the other CAN channels see the IO-Map.

The address shown assume that the CS7 area is defined as described in the chapter about the internal Boot ROM.

# MB91360G Series

## (1) List of Control Registers

List of Control Registers (1)

Address	Register	Abbreviation	Access	Initial Value
CAN0				
10000H	Message buffer valid register	BVALR0	R/W	00000000 00000000
10001H				
10002H	Transmit request register	TREQR0	R/W	00000000 00000000
10003H				
10004H	Transmit cancel register	TCANR0	W	00000000 00000000
10005H				
10006H	Transmit complete register	TCR0	R/W	00000000 00000000
10007H				
10008H	Receive complete register	RCR0	R/W	00000000 00000000
10009H				
1000AH	Remote request receiving register	RRTRR0	R/W	00000000 00000000
1000BH				
1000CH	Receive overrun register	ROVRR0	R/W	00000000 00000000
1000DH				
1000EH	Receive interrupt enable register	RIER0	R/W	00000000 00000000
1000FH				
10010H	Control status register	CSR0	R/W, R	00 --- 000 0 ---- 0 - 1
10011H				
10012H	Last event indicator register	LEIR0	R/W	----- 000 - 0000
10013H				
10014H	Receive/transmit error counter	RTEC0	R	00000000 00000000
10015H				
10016H	Bit timing register	BTR0	R/W	-1111111 11111111
10017H				
10018H	IDE register	IDER0	R/W	XXXXXXXX XXXXXXXX
10019H				

**List of Control Registers (2)**

Address	Register	Abbreviation	Access	Initial Value
<b>CAN0</b>				
10001A <sub>H</sub>	Transmit RTR register	TRTRR0	R/W	00000000 00000000
10001B <sub>H</sub>				
10001C <sub>H</sub>	Remote frame receive waiting register	RFWTR0	R/W	XXXXXXXX XXXXXXXX
10001D <sub>H</sub>				
10001E <sub>H</sub>	Transmit interrupt enable register	TIER0	R/W	00000000 00000000
10001F <sub>H</sub>				
100020 <sub>H</sub>	Acceptance mask select register	AMSR0	R/W	XXXXXXXX XXXXXXXX
100021 <sub>H</sub>				XXXXXXXX XXXXXXXX
100022 <sub>H</sub>				XXXXXXXX XXXXXXXX
100023 <sub>H</sub>				XXXXXXXX XXXXXXXX
100024 <sub>H</sub>	Acceptance mask register 0	AMR00	R/W	XXXXXXXX XXXXXXXX
100025 <sub>H</sub>				XXXXXXXX XXXXXXXX
100026 <sub>H</sub>				XXXXX --- XXXXXXXX
100027 <sub>H</sub>				XXXXXXXX XXXXXXXX
100028 <sub>H</sub>	Acceptance mask register 1	AMR10	R/W	XXXXXXXX XXXXXXXX
100029 <sub>H</sub>				XXXXXXXX XXXXXXXX
10002A <sub>H</sub>				XXXXX --- XXXXXXXX
10002B <sub>H</sub>				XXXXXXXX XXXXXXXX

# MB91360G Series

## (2) Message Buffers

List of Message Buffers (ID Registers) (1)

Address	Register	Abbreviation	Access	Initial Value
CAN0				
10002C <sub>H</sub> to 10004B <sub>H</sub>	General-purpose RAM	—	R/W	XXXXXXXX to XXXXXXXX
10004C <sub>H</sub>	ID register 0	IDR00	R/W	XXXXXXXX XXXXXXXX
10004D <sub>H</sub>				XXXXX --- XXXXXXXX
10004E <sub>H</sub>				
10004F <sub>H</sub>				
100050 <sub>H</sub>	ID register 1	IDR10	R/W	XXXXXXXX XXXXXXXX
100051 <sub>H</sub>				XXXXX --- XXXXXXXX
100052 <sub>H</sub>				
100053 <sub>H</sub>				
100054 <sub>H</sub>	ID register 2	IDR20	R/W	XXXXXXXX XXXXXXXX
100055 <sub>H</sub>				XXXXX --- XXXXXXXX
100056 <sub>H</sub>				
100057 <sub>H</sub>				
100058 <sub>H</sub>	ID register 3	IDR30	R/W	XXXXXXXX XXXXXXXX
100059 <sub>H</sub>				XXXXX --- XXXXXXXX
10005A <sub>H</sub>				
10005B <sub>H</sub>				
10005C <sub>H</sub>	ID register 4	IDR40	R/W	XXXXXXXX XXXXXXXX
10005D <sub>H</sub>				XXXXX --- XXXXXXXX
10005E <sub>H</sub>				
10005F <sub>H</sub>				
100060 <sub>H</sub>	ID register 5	IDR50	R/W	XXXXXXXX XXXXXXXX
100061 <sub>H</sub>				XXXXX --- XXXXXXXX
100062 <sub>H</sub>				
100063 <sub>H</sub>				
100064 <sub>H</sub>	ID register 6	IDR60	R/W	XXXXXXXX XXXXXXXX
100065 <sub>H</sub>				XXXXX --- XXXXXXXX
100066 <sub>H</sub>				
100067 <sub>H</sub>				

**List of Message Buffers (ID Registers) (2)**

Address	Register	Abbreviation	Access	Initial Value
<b>CAN0</b>				
100068 <sub>H</sub>	ID register 7	IDR70	R/W	XXXXXXXX XXXXXXXX
100069 <sub>H</sub>				
10006A <sub>H</sub>				XXXXX --- XXXXXXXX
10006B <sub>H</sub>				
10006C <sub>H</sub>	ID register 8	IDR80	R/W	XXXXXXXX XXXXXXXX
10006D <sub>H</sub>				
10006E <sub>H</sub>				XXXXX --- XXXXXXXX
10006F <sub>H</sub>				
100070 <sub>H</sub>	ID register 9	IDR90	R/W	XXXXXXXX XXXXXXXX
100071 <sub>H</sub>				
100072 <sub>H</sub>				XXXXX --- XXXXXXXX
100073 <sub>H</sub>				
100074 <sub>H</sub>	ID register 10	IDR10	R/W	XXXXXXXX XXXXXXXX
100075 <sub>H</sub>				
100076 <sub>H</sub>				XXXXX --- XXXXXXXX
100077 <sub>H</sub>				
100078 <sub>H</sub>	ID register 11	IDR11	R/W	XXXXXXXX XXXXXXXX
100079 <sub>H</sub>				
10007A <sub>H</sub>				XXXXX --- XXXXXXXX
10007B <sub>H</sub>				
10007C <sub>H</sub>	ID register 12	IDR12	R/W	XXXXXXXX XXXXXXXX
10007D <sub>H</sub>				
10007E <sub>H</sub>				XXXXX --- XXXXXXXX
10007F <sub>H</sub>				
100080 <sub>H</sub>	ID register 13	IDR13	R/W	XXXXXXXX XXXXXXXX
100081 <sub>H</sub>				
100082 <sub>H</sub>				XXXXX --- XXXXXXXX
100083 <sub>H</sub>				
100084 <sub>H</sub>	ID register 14	IDR14	R/W	XXXXXXXX XXXXXXXX
100085 <sub>H</sub>				
100086 <sub>H</sub>				XXXXX --- XXXXXXXX
100087 <sub>H</sub>				

# MB91360G Series

List of Message Buffers (ID Registers) (3)

Address	Register	Abbreviation	Access	Initial Value
<b>CAN0</b>				
100088 <sub>H</sub>	ID register 15	IDR15	R/W	XXXXXXXX XXXXXXXX
100089 <sub>H</sub>				
10008A <sub>H</sub>				XXXXX --- XXXXXXXX
10008B <sub>H</sub>				

List of Message Buffers (DLC Registers and Data Registers) (1)

Address	Register	Abbreviation	Access	Initial Value
<b>CAN0</b>				
10008C <sub>H</sub>	DLC register 0	DLCR00	R/W	---- XXXX
10008D <sub>H</sub>				
10008E <sub>H</sub>	DLC register 1	DLCR10	R/W	---- XXXX
10008F <sub>H</sub>				
100090 <sub>H</sub>	DLC register 2	DLCR20	R/W	---- XXXX
100091 <sub>H</sub>				
100092 <sub>H</sub>	DLC register 3	DLCR30	R/W	---- XXXX
100093 <sub>H</sub>				
100094 <sub>H</sub>	DLC register 4	DLCR40	R/W	---- XXXX
100095 <sub>H</sub>				
100096 <sub>H</sub>	DLC register 5	DLCR50	R/W	---- XXXX
100097 <sub>H</sub>				
100098 <sub>H</sub>	DLC register 6	DLCR60	R/W	---- XXXX
100099 <sub>H</sub>				
10009A <sub>H</sub>	DLC register 7	DLCR70	R/W	---- XXXX
10009B <sub>H</sub>				
10009C <sub>H</sub>	DLC register 8	DLCR80	R/W	---- XXXX
10009D <sub>H</sub>				
10009E <sub>H</sub>	DLC register 9	DLCR90	R/W	---- XXXX
10009F <sub>H</sub>				
1000A0 <sub>H</sub>	DLC register 10	DLCR100	R/W	---- XXXX
1000A1 <sub>H</sub>				

List of Message Buffers (DLC Registers and Data Registers) (2)

Address	Register	Abbreviation	Access	Initial Value
<b>CAN0</b>				
1000A2 <sub>H</sub>	DLC register 11	DLCR110	R/W	----XXXX
1000A3 <sub>H</sub>				
1000A4 <sub>H</sub>	DLC register 12	DLCR120	R/W	----XXXX
1000A5 <sub>H</sub>				
1000A6 <sub>H</sub>	DLC register 13	DLCR130	R/W	----XXXX
1000A7 <sub>H</sub>				
1000A8 <sub>H</sub>	DLC register 14	DLCR140	R/W	----XXXX
1000A9 <sub>H</sub>				
1000AA <sub>H</sub>	DLC register 15	DLCR150	R/W	----XXXX
1000AB <sub>H</sub>				
1000AC <sub>H</sub> to 1000B3 <sub>H</sub>	Data register 0 (8 bytes)	DTR00	R/W	XXXXXXXX to XXXXXXXX
1000B4 <sub>H</sub> to 1000BB <sub>H</sub>	Data register 1 (8 bytes)	DTR10	R/W	XXXXXXXX to XXXXXXXX
1000BC <sub>H</sub> to 1000C3 <sub>H</sub>	Data register 2 (8 bytes)	DTR20	R/W	XXXXXXXX to XXXXXXXX
1000C4 <sub>H</sub> to 1000CB <sub>H</sub>	Data register 3 (8 bytes)	DTR30	R/W	XXXXXXXX to XXXXXXXX
1000CC <sub>H</sub> to 1000D3 <sub>H</sub>	Data register 4 (8 bytes)	DTR40	R/W	XXXXXXXX to XXXXXXXX
1000D4 <sub>H</sub> to 1000DB <sub>H</sub>	Data register 5 (8 bytes)	DTR50	R/W	XXXXXXXX to XXXXXXXX
1000DC <sub>H</sub> to 1000E3 <sub>H</sub>	Data register 6 (8 bytes)	DTR60	R/W	XXXXXXXX to XXXXXXXX
1000E4 <sub>H</sub> to 1000EB <sub>H</sub>	Data register 7 (8 bytes)	DTR70	R/W	XXXXXXXX to XXXXXXXX
1000EC <sub>H</sub> to 1000F3 <sub>H</sub>	Data register 8 (8 bytes)	DTR80	R/W	XXXXXXXX to XXXXXXXX
1000F4 <sub>H</sub> to 1000FB <sub>H</sub>	Data register 9 (8 bytes)	DTR90	R/W	XXXXXXXX to XXXXXXXX

# MB91360G Series

**List of Message Buffers (DLC Registers and Data Registers) (3)**

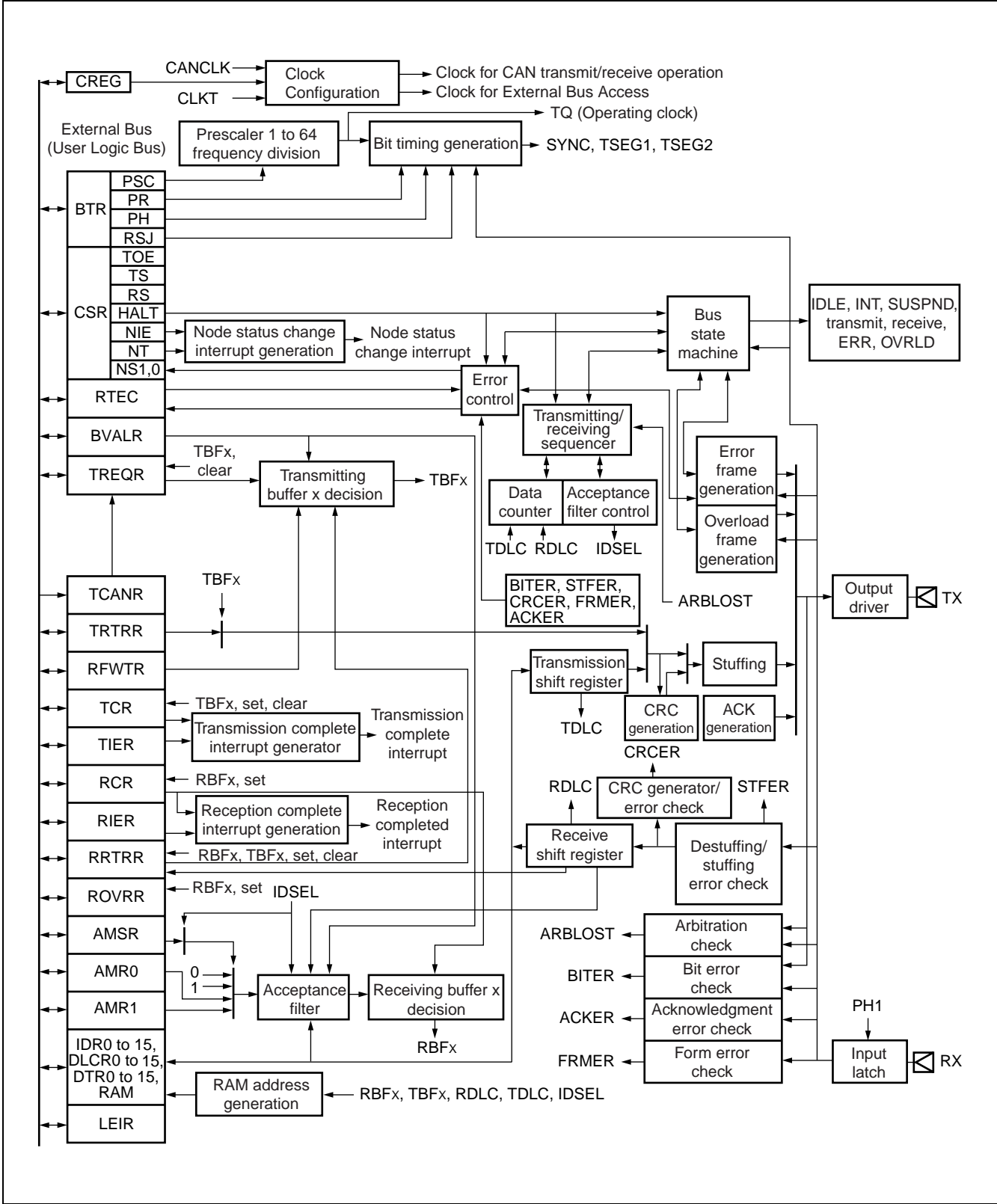
Address	Register	Abbreviation	Access	Initial Value
CAN0				
1000FC <sub>H</sub> to 100103 <sub>H</sub>	Data register 10 (8 bytes)	DTR100	R/W	XXXXXXXX to XXXXXXXX
100104 <sub>H</sub> to 10010B <sub>H</sub>	Data register 11 (8 bytes)	DTR110	R/W	XXXXXXXX to XXXXXXXX
10010C <sub>H</sub> to 100113 <sub>H</sub>	Data register 12 (8 bytes)	DTR120	R/W	XXXXXXXX to XXXXXXXX
100114 <sub>H</sub> to 10011B <sub>H</sub>	Data register 13 (8 bytes)	DTR130	R/W	XXXXXXXX to XXXXXXXX
10011C <sub>H</sub> to 100123 <sub>H</sub>	Data register 14 (8 bytes)	DTR140	R/W	XXXXXXXX to XXXXXXXX
100124 <sub>H</sub> to 10012B <sub>H</sub>	Data register 15 (8 bytes)	DTR150	R/W	XXXXXXXX to XXXXXXXX

**Configuration Register (CREG)**

Address	Register	Abbreviation	Access	Initial Value
CAN0				
10012C <sub>H</sub> 10012D <sub>H</sub>	Configuration register	CREG0	R/W	00000000 00000110



### (3) Block Diagram

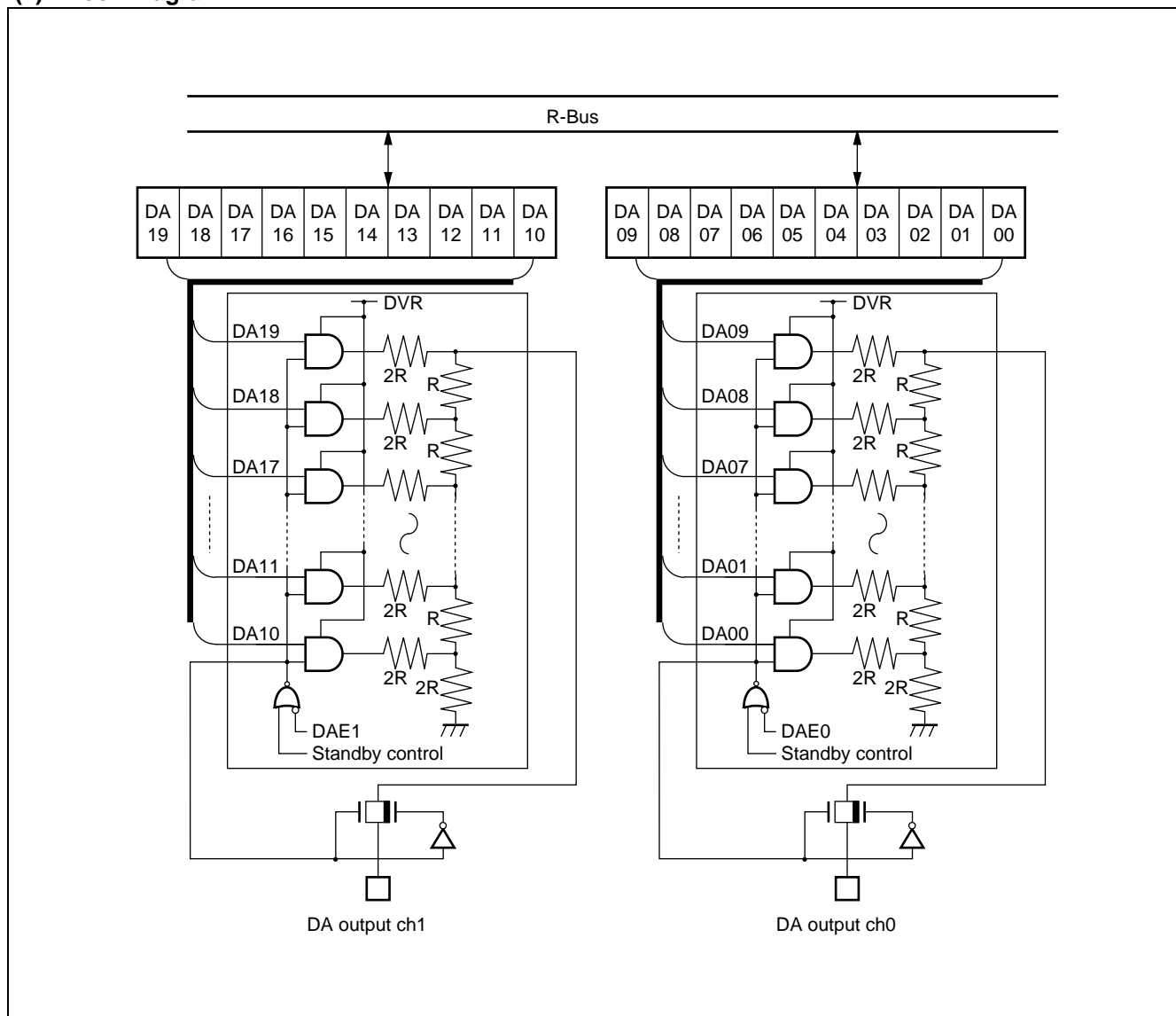


# MB91360G Series

## 18. D/A CONVERTER

This section provides an overview of the D/A converter, describes the register structure and functions, and describes the operation of D/A converter. This block is an R-2R format D/A converter, having ten-bit resolution. The D/A converter has two channels. Output control can be performed independently for the two channels using the D/A control register.

### (1) Block Diagram



## (2) Registers

D/A control register (DACR)

bit	7	6	5	4	3	2	1	0
Address: 0000A5H	—	—	—	—	—	MODE	DAE1	DAE0

D/A converter data register (ch 0) (DADR0)

bit	15	14	13	12	11	10	9	8
Address: 0000A6H	—	—	—	—	—	—	DA09	DA08

bit	7	6	5	4	3	2	1	0
Address: 0000A7H	DA07	DA06	DA05	DA04	DA03	DA02	DA01	DA00

D/A converter data register (ch 1) (DADR1)

bit	15	14	13	12	11	10	9	8
Address: 0000A8H	—	—	—	—	—	—	DA19	DA18

bit	7	6	5	4	3	2	1	0
Address: 0000A9H	DA17	DA16	DA15	DA14	DA13	DA12	DA11	DA10

D/A clock control (DDBL)

bit	7	6	5	4	3	2	1	0
Address: 0000ABH	—	—	—	—	—	—	—	DBL

## 19. 100 kHz I<sup>2</sup>C INTERFACE

This section describes the functions and operation of the MB91360G series basic I<sup>2</sup>C interface. This interface allows operation up to 100 kHz and 8-bit-addressing.

The I<sup>2</sup>C interface is a serial I/O port supporting the Inter IC bus, operating as a master/slave device on the I<sup>2</sup>C bus.

### (1) I<sup>2</sup>C Interface Features

The MB91360G series microcontroller includes a built-in one-channel I<sup>2</sup>C interface. The I<sup>2</sup>C interface has the following features.

- Master/slave sending and receiving functions
- Arbitration function
- Clock synchronization function
- Slave address/general call address detection function
- Transfer direction detection function
- Repeated start condition generation and detection function
- Bus error detection function

## (2) I<sup>2</sup>C Interface Registers

### a : Bus Status Register (IBSR)

	7	6	5	4	3	2	1	0	⇔ Bit no.
Address: 000095 <sub>H</sub>	BB	RSC	AL	LRB	TRX	AAS	GCA	FBT	
Read/write ⇨	(R)	(R)	(R)	(R)	(R)	(R)	(R)	(R)	
Default value ⇨	(0)	(0)	(0)	(0)	(0)	(0)	(0)	(0)	

### b : Bus Control Register (IBCR)

	15	14	13	12	11	10	9	8	⇔ Bit no.
Address: 000094 <sub>H</sub>	BER	BEIE	SCC	MSS	ACK	GCAA	INTE	INT	
Read/write ⇨	(R/W)	(R/W)	(R/W)	(R/W)	(R/W)	(R/W)	(R/W)	(R/W)	
Default value ⇨	(0)	(0)	(0)	(0)	(0)	(0)	(0)	(0)	

### c : Clock control register (ICCR)

	7	6	5	4	3	2	1	0	⇔ Bit no.
Address: 000097 <sub>H</sub>	—	—	EN	CS4	CS3	CS2	CS1	CS0	
Read/write ⇨	(—)	(—)	(R/W)	(R/W)	(R/W)	(R/W)	(R/W)	(R/W)	
Default value ⇨	(—)	(—)	(0)	(X)	(X)	(X)	(X)	(X)	

### d : Address Register (IADR)

	15	14	13	12	11	10	9	8	⇔ Bit no.
Address: 000096 <sub>H</sub>	—	A6	A5	A4	A3	A2	A1	A0	
Read/write ⇨	(—)	(R/W)	(R/W)	(R/W)	(R/W)	(R/W)	(R/W)	(R/W)	
Default value ⇨	(—)	(X)	(X)	(X)	(X)	(X)	(X)	(X)	

### e : Data Register (IDAR)

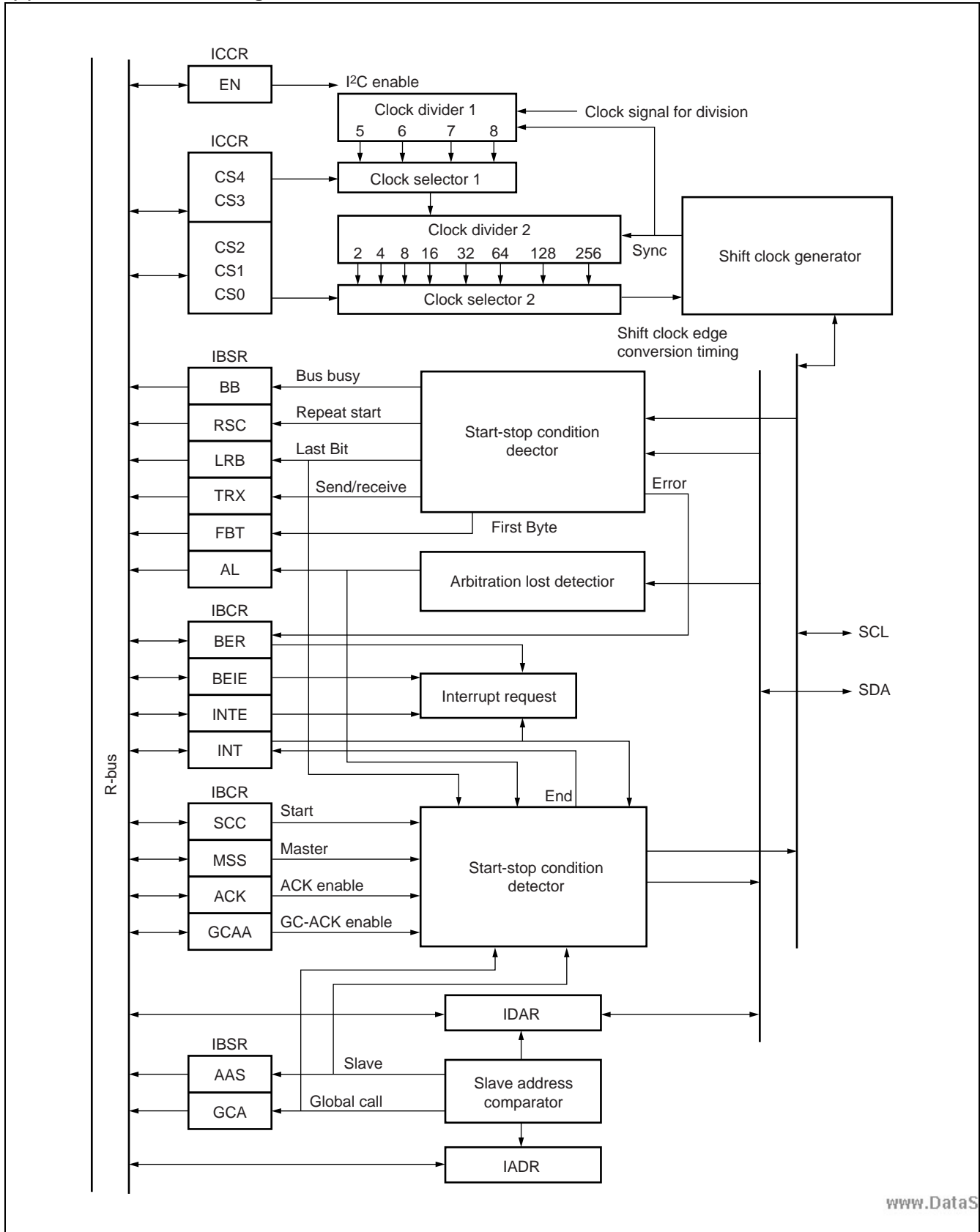
	7	6	5	4	3	2	1	0	⇔ Bit no.
Address: 000099 <sub>H</sub>	D7	D6	D5	D4	D3	D2	D1	D0	
Read/write ⇨	(R/W)	(R/W)	(R/W)	(R/W)	(R/W)	(R/W)	(R/W)	(R/W)	
Default value ⇨	(X)	(X)	(X)	(X)	(X)	(X)	(X)	(X)	

### f : Clock Disable Register (IDBL)

	7	6	5	4	3	2	1	0	⇔ Bit no.
Address: 00009B <sub>H</sub>	—	—	—	—	—	—	—	DBL	
Read/write ⇨	(—)	(—)	(—)	(—)	(—)	(—)	(—)	(R/W)	
Default value ⇨	(—)	(—)	(—)	(—)	(—)	(—)	(—)	(0)	

# MB91360G Series

(3) I<sup>2</sup>C Interface Block Diagram



## 20. 400 kHz I<sup>2</sup>C INTERFACE

This section describes the functions and operation of the fast I<sup>2</sup>C interface.

The I<sup>2</sup>C interface is a serial I/O port supporting the Inter IC bus, operating as a master/slave device on the I<sup>2</sup>C bus.

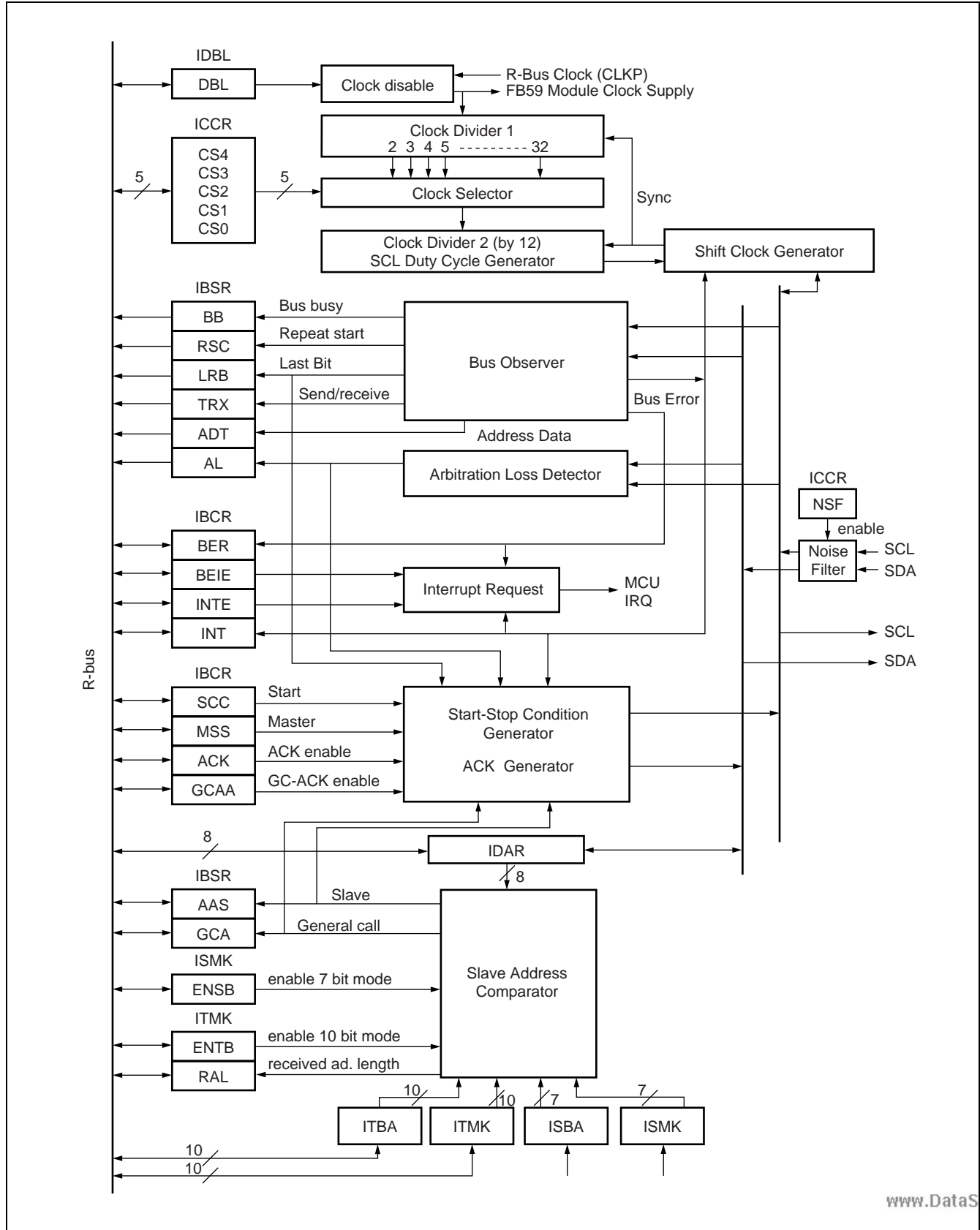
### (1) Features

- Master/slave transmitting and receiving functions
- Arbitration function
- Clock synchronization function
- General call addressing support
- Transfer direction detection function
- Repeated start condition generation and detection function
- Bus error detection function
- 7 bit addressing as master and slave
- 10 bit addressing as master and slave
- Possibility to give the interface a seven and a ten bit slave address
- Acknowledging upon slave address reception can be disabled (Master-only operation)
- Address masking to give interface several slave addresses (in 7 and 10 bit mode)
- Up to 400 KBit transfer rate
- Possibility to use built-in noise filters for SDA and SCL
- Can receive data at 400 KBit if R-Bus-Clock is higher than 6 MHz regardless of prescaler setting
- Can generate MCU interrupts on transmission and bus error events
- Supports being slowed down by a slave on bit and byte level

The I<sup>2</sup>C interface does not support SCL clock stretching on bit level since it can receive the full 400 KBit data rate if the R-Bus-Clock (CLKP) is higher than 6 MHz regardless of the prescaler setting. However, clock stretching on byte level is performed since SCL is pulled low during an interrupt (INT = "1" in IBCR register) .

# MB91360G Series

## (2) Block Diagram





## (3) I<sup>2</sup>C Interface Registers

### a : Bus Control Register (IBCR2)

	15	14	13	12	11	10	9	8	⇐ Bit no.
Address: 000184 <sub>H</sub>	BER	BEIE	SCC	MSS	ACK	GCAA	INTE	INT	...
Read/write ⇨	(R/W)	(R/W)	(W)	(R/W)	(R/W)	(R/W)	(R/W)	(R/W)	
Default value ⇨	(0)	(0)	(0)	(0)	(0)	(0)	(0)	(0)	

### b : Bus Status Register (IBSR2)

	7	6	5	4	3	2	1	0	⇐ Bit no.
Address: 000185 <sub>H</sub>	BB	RSC	AL	LRB	TRX	AAS	GCA	FBT	
Read/write ⇨	(R)	(R)	(R)	(R)	(R)	(R)	(R)	(R)	
Default value ⇨	(0)	(0)	(0)	(0)	(0)	(0)	(0)	(0)	

### c : Ten Bit slave Address register (ITBAH, ITBAL)

Ten Bit Address high byte

	15	14	13	12	11	10	9	8	⇐ Bit no.
Address: 000186 <sub>H</sub>	—	—	—	—	—	—	TA9	TA8	...
Read/write ⇨	(—)	(—)	(—)	(—)	(—)	(—)	(R/W)	(R/W)	
Default value ⇨	(0)	(0)	(0)	(0)	(0)	(0)	(0)	(0)	

Ten Bit Address low byte

	7	6	5	4	3	2	1	0	⇐ Bit no.
Address: 000187 <sub>H</sub>	TA7	TA6	TA5	TA4	TA3	TA2	TA1	TA0	
Read/write ⇨	(R/W)	(R/W)	(R/W)	(R/W)	(R/W)	(R/W)	(R/W)	(R/W)	
Default value ⇨	(0)	(0)	(0)	(0)	(0)	(0)	(0)	(0)	

### d : Ten bit slave address Mask register (ITMKH, ITMKL)

Ten Bit Address Mask high byte

	15	14	13	12	11	10	9	8	⇐ Bit no.
Address: 000188 <sub>H</sub>	ENTB	RAL	—	—	—	—	TM9	TM8	...
Read/write ⇨	(R/W)	(R)	(—)	(—)	(—)	(—)	(R/W)	(R/W)	
Default value ⇨	(0)	(0)	(1)	(1)	(1)	(1)	(1)	(1)	

Ten Bit Address Mask low byte

	7	6	5	4	3	2	1	0	⇐ Bit no.
Address: 000189 <sub>H</sub>	TM7	TM6	TM5	TM4	TM3	TM2	TM1	TM0	
Read/write ⇨	(R/W)	(R/W)	(R/W)	(R/W)	(R/W)	(R/W)	(R/W)	(R/W)	
Default value ⇨	(1)	(1)	(1)	(1)	(1)	(1)	(1)	(1)	

### e : Seven Bit slave Address register (ISBA)

	7	6	5	4	3	2	1	0	⇐ Bit no.
Address: 00018B <sub>H</sub>	—	SA6	SA5	SA4	SA3	SA2	SA1	SA0	
Read/write ⇨	(—)	(R/W)	(R/W)	(R/W)	(R/W)	(R/W)	(R/W)	(R/W)	
Default value ⇨	(0)	(0)	(0)	(0)	(0)	(0)	(0)	(0)	

# MB91360G Series

(Continued)

## f : Seven bit slave address Mask register (ISMK)

	15	14	13	12	11	10	9	8	↔ Bit no.
Address: 00018AH	ENSB	SM6	SM5	SM4	SM3	SM2	SM1	SM0	...
Read/write ⇒	(R/W)	(R/W)	(R/W)	(R/W)	(R/W)	(R/W)	(R/W)	(R/W)	
Default value ⇒	(0)	(1)	(1)	(1)	(1)	(1)	(1)	(1)	

## g : Data Register (IDARH, IDAR2)

Data register high byte

	15	14	13	12	11	10	9	8	↔ Bit no.
Address: 00018CH	—	—	—	—	—	—	—	—	...
Read/write ⇒	(—)	(—)	(—)	(—)	(—)	(—)	(—)	(—)	
Default value ⇒	(0)	(0)	(0)	(0)	(0)	(0)	(0)	(0)	

Data register

	7	6	5	4	3	2	1	0	↔ Bit no.
Address: 00018DH	D7	D6	D5	D4	D3	D2	D1	D0	...
Read/write ⇒	(R/W)	(R/W)	(R/W)	(R/W)	(R/W)	(R/W)	(R/W)	(R/W)	
Default value ⇒	(0)	(0)	(0)	(0)	(0)	(0)	(0)	(0)	

## h : Clock control register (ICCR2)

	15	14	13	12	11	10	9	8	↔ Bit no.
Address: 00018EH	—	NSF	EN	CS4	CS3	CS2	CS1	CS0	...
Read/write ⇒	(—)	(R/W)	(R/W)	(R/W)	(R/W)	(R/W)	(R/W)	(R/W)	
Default value ⇒	(0)	(0)	(0)	(1)	(1)	(1)	(1)	(1)	

## i : Clock Disable Register (IDBL2)

	7	6	5	4	3	2	1	0	↔ Bit no.
Address: 00018FH	—	—	—	—	—	—	—	DBL	...
Read/write ⇒	(—)	(—)	(—)	(—)	(—)	(—)	(—)	(R/W)	
Default value ⇒	(0)	(0)	(0)	(0)	(0)	(0)	(0)	(0)	

## 21. 16-BIT I/O TIMER

The MB91360G Series contains two 16-bit free-running timer modules, two output compare modules, and two input capture modules and supports four input channels and four output channels. The following sections only describes the 16-bit free-running timer, Output Compare 0/1 and Input Capture 0/1.

The remaining modules have the identical functions and the register addresses should be found in the I/O map.

### (1) Function Overview

#### a : 16-bit free-running timer

The 16-bit free-run timer consists of a 16-bit up counter, control register, and prescaler. The values output from this timer counter are used as the base timer for input capture and output compare.

- Four counter clocks are available.  
Internal clock :  $\phi/4$ ,  $\phi/16$ ,  $\phi/32$ ,  $\phi/64$
- An interrupt can be generated upon a counter overflow or a match with compare register 0.
- The counter value can be initialized to "0000H" upon a reset, software clear, or match with compare register 0.

#### b : Output compare (2 channels per one module)

The output compare module consists of two 16-bit compare registers, compare output latch, and control register.

When the 16-bit free-running timer value matches the compare register value, the output level is reversed and an interrupt is issued.

- The two compare registers can be used independently.  
Output pins and interrupt flags corresponding to compare registers
- Output pins can be controlled based on pairs of the two compare registers.  
Output pins can be reversed by using the two compare registers.
- Initial values for output pins can be set.
- Interrupts can be generated upon a compare match.

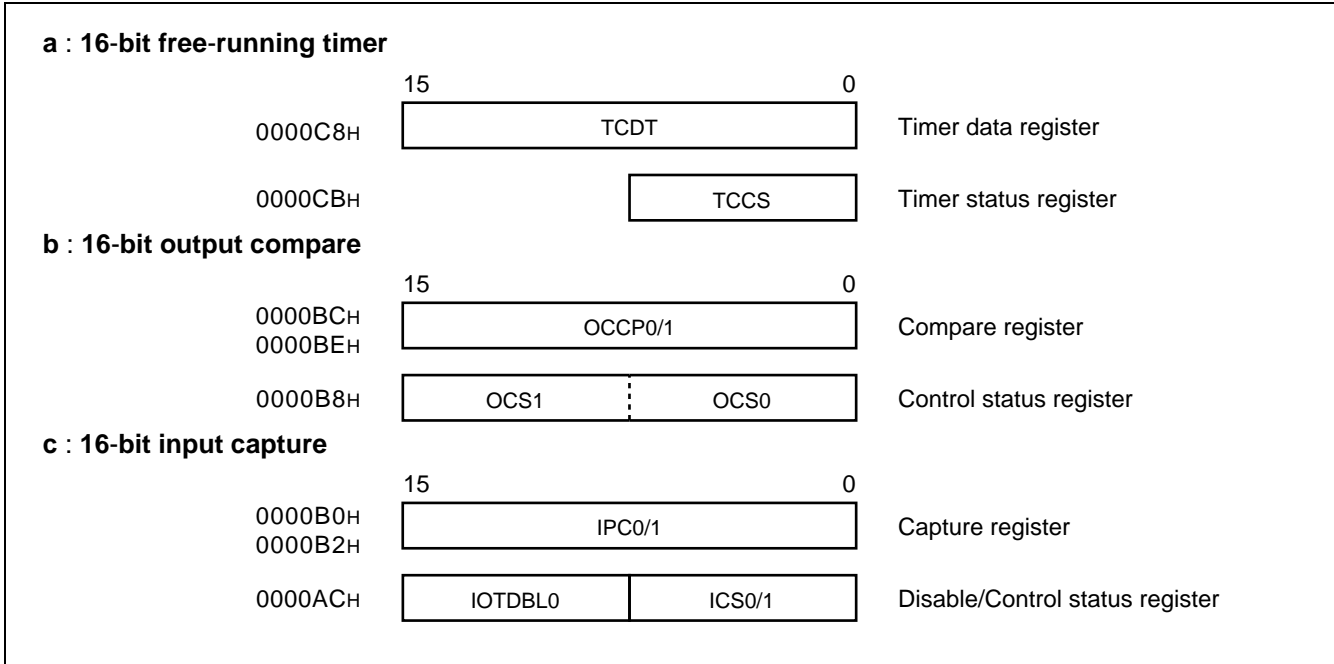
#### c : Input capture (2 channels per one module)

The input capture module consists of two 16-bit capture registers and control registers corresponding to two independent external input pins. The 16-bit free-running timer value can be stored in the capture register and an interrupt is issued simultaneously upon detection of an edge of a signal input from an external input pin.

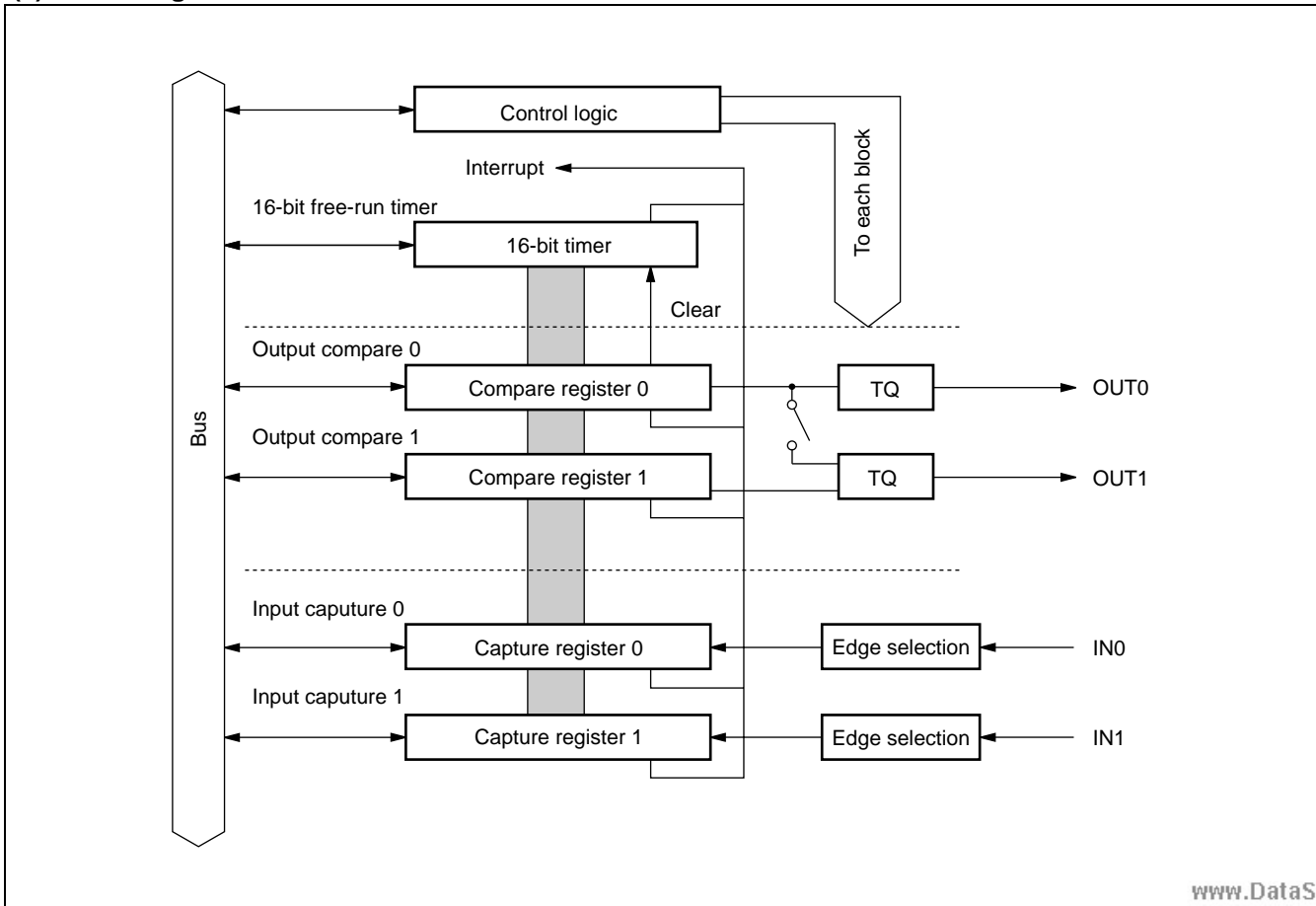
- The detection edge of an external input signal can be specified.  
Rising, falling, or both edges
- Two input channels can operate independently.
- An interrupt can be issued upon a valid edge of an external input signal.

# MB91360G Series

## (2) Registers



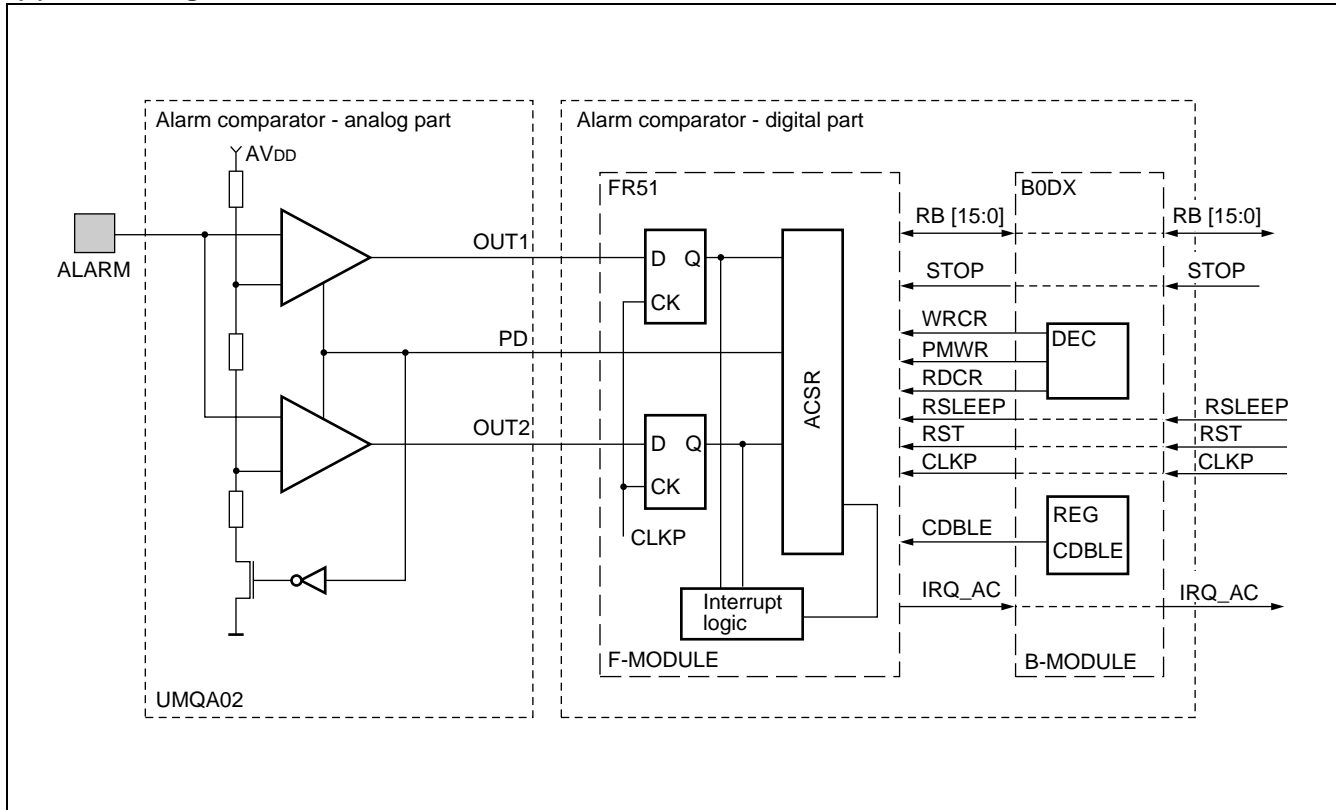
## (3) Block Diagram



## 22. ALARM COMPARATOR

This section provides an overview of the Alarm Comparator (Also called Under/Overvoltage Detection) , describes the register structure and functions, and describes the operation of the Alarm Comparator.

### (1) Block Diagram



### (2) Registers

#### Alarm Comparator Clock Disable Register (ACCDBL)

Address	Bits	7	6	5	4	3	2	1	0	Initial value
00000180 <sub>H</sub>		—	—	—	—	—	—	—	CDBLE	----- 0 <sub>B</sub>
									R/W	← Access

#### Alarm Comparator Status Disable Register (ACSR)

Address	Bits	7	6	5	4	3	2	1	0	Initial value
00000181 <sub>H</sub>		—	OV_EN	UV-EN	OUT2	OUT1	IRQ	IEN	PD	-11xx00 <sub>B</sub>
			R/W	R/W	R	R	R/W	R/W	R/W	← Access

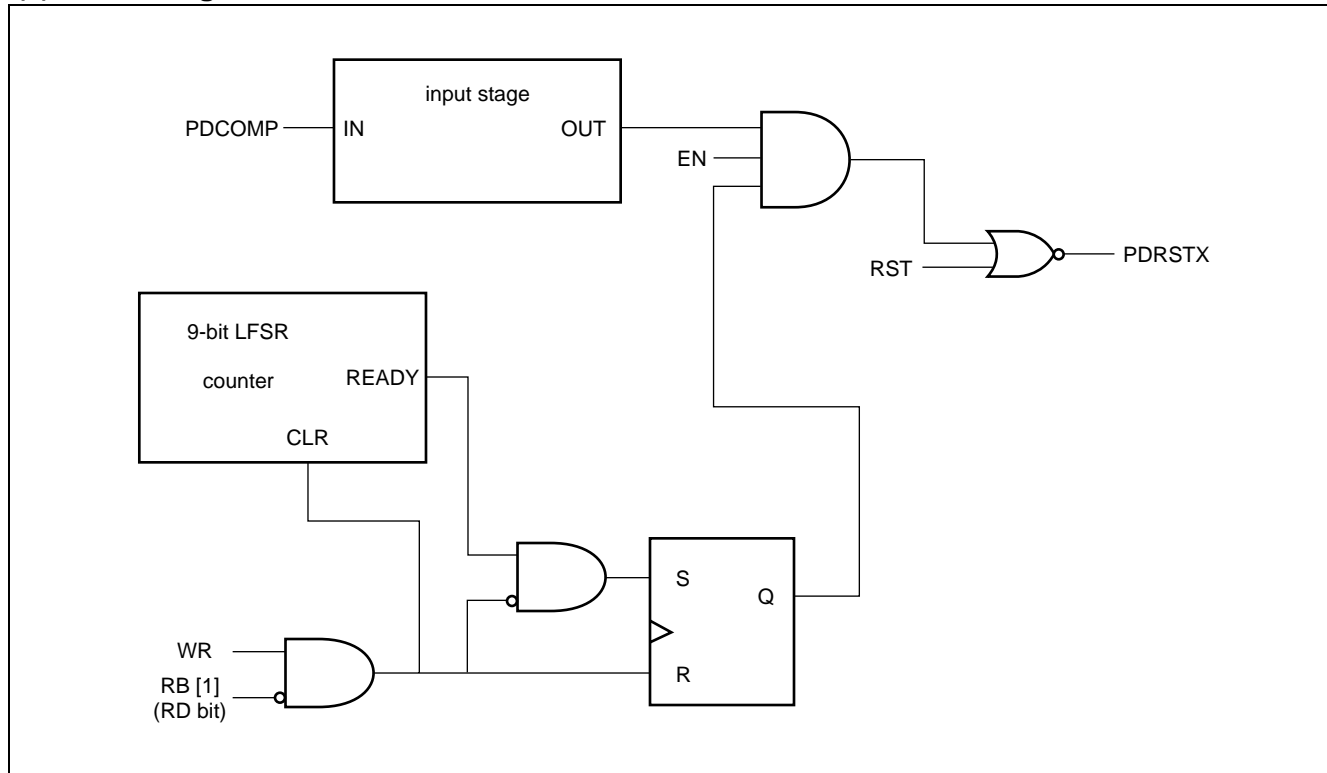
# MB91360G Series

## 23. POWER DOWN RESET

This section provides an overview of the Power Down Reset, and describes the register structure.

The power down reset module performs a system reset when  $V_{CC}$  goes below a threshold voltage. The reset signal is disabled and enabled by setting the power down reset control register PDRCR. For low power applications the digital and the analog part of the power down reset control circuit can be disabled.

### (1) Block Diagram



### (2) Register

	7	6	5	4	3	2	1	0
PDRCR	—	—	—	—	—	CDSBLE	PD	EN
access	—	—	—	—	—	R/W	R/W	R/W
initial value (INIT)	—	—	—	—	—	0	0	0
initial value (RST)	X	X	X	X	X	X	X	X

## 24. SERIAL I/O INTERFACE (SIO)

This section provides an overview of the Serial I/O Interface (SIO) , and describes the register structure.

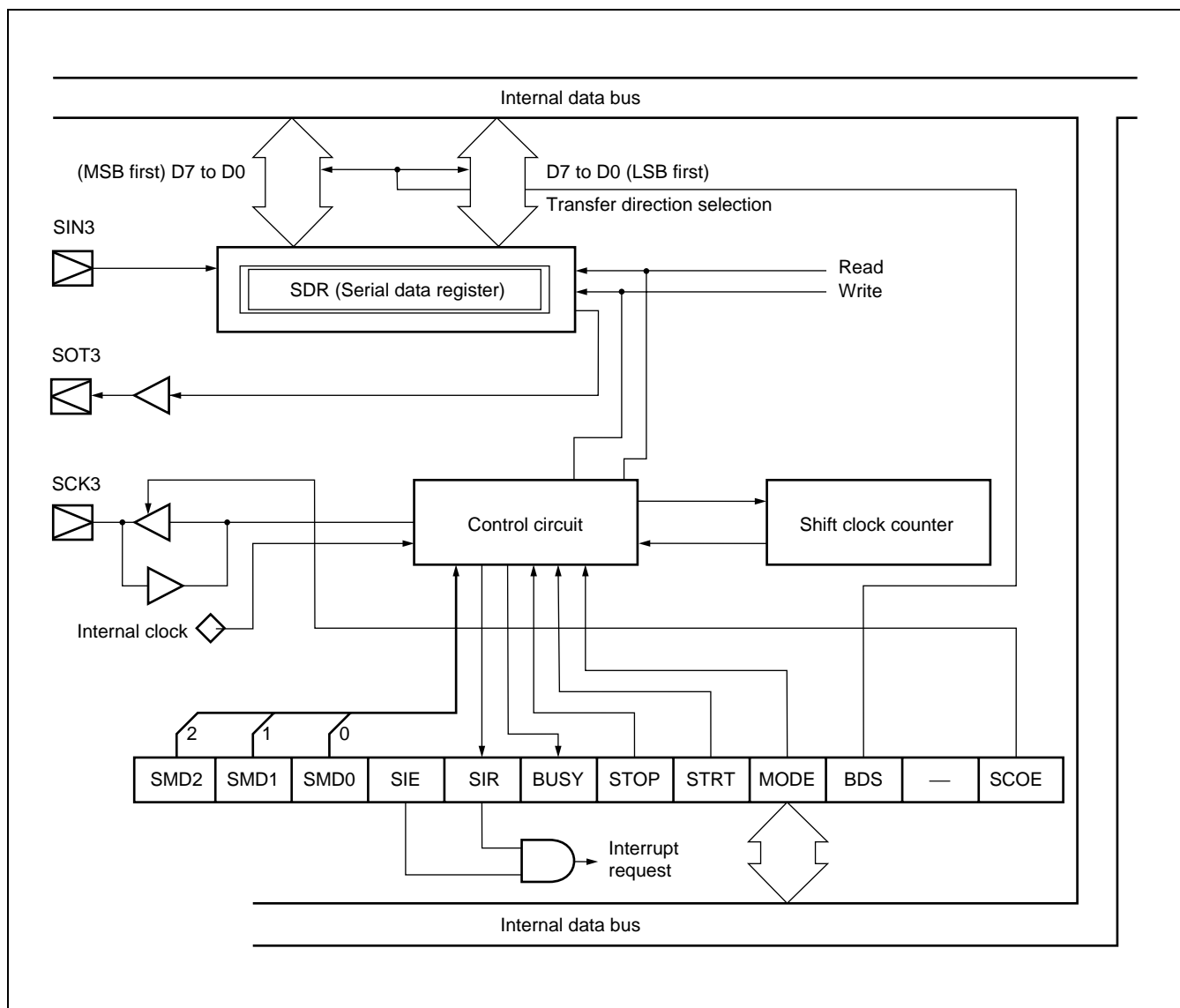
### (1) Block Diagram

This block is a serial I/O interface that allows data transfer using clock synchronization. The interface consists of a single eight-bit channel. Data can be transferred from the LSB or MSB.

MB91360G series contains two Serial I/O units SIO0 and SIO1. This section only describes SIO0. Please see the IO-Map for the register addresses of SIO1.

The serial I/O interface operates in two modes :

- Internal shift clock mode : Data is transferred in synchronization with the internal clock.
- External shift clock mode : Data is transferred in synchronization with the clock supplied via the external pin (SCK) . By manipulating the general-purpose port sharing the external pin (SCK) , data can also be transferred by a CPU instruction in this mode.



# MB91360G Series

## (2) Registers

Serial mode control status register (SMCS)

	15	14	13	12	11	10	9	8
Address : 000084H	SMD2	SMD1	SMD0	SIE	SIR	BUSY	STOP	STRT

	7	6	5	4	3	2	1	0
Address : 000085H	—	—	—	—	MODE	BDS	—	SCOE

SIO edge selection/clock disable register (SES)

	15	14	13	12	11	10	9	8
Address : 000086H	—	—	—	—	—	—	DBL	NEG

Serial data register (SDR)

	7	6	5	4	3	2	1	0
Address : 000087H	D7	D6	D5	D4	D3	D2	D1	D0



## 25. SOUND GENERATOR

This section provides an overview of the Sound Generator, and describes the register structure.

The Sound Generator consists of the Sound Control register, Frequency Data register, Amplitude Data register, Decrement Grade register, Tone Count register, Sound Disable register, PWM pulse generator, Frequency counter, Decrement counter and Tone Pulse counter.

### (1) Registers

#### Sound Control register (SGCR)

	7	6	5	4	3	2	1	0	↔ Bit no.
Address: 0000EF <sub>H</sub>	S1	S0	TONE	—	—	INTE	INT	ST	
Read/write ⇒	(R/W)	(R/W)	(R/W)	(—)	(—)	(R/W)	(R/W)	(R/W)	
Default value ⇒	(0)	(0)	(0)	(—)	(—)	(0)	(0)	(0)	

	15	14	13	12	11	10	9	8	↔ Bit no.
Address: 0000EE <sub>H</sub>	TST	—	—	—	—	—	BUSY	DEC	
Read/write ⇒	(R/W)	(—)	(—)	(—)	(—)	(—)	(R)	(R/W)	
Default value ⇒	(0)	(—)	(—)	(—)	(—)	(—)	(0)	(0)	

#### Frequency Data register (SGFR)

	7	6	5	4	3	2	1	0	↔ Bit no.
Address: 0000F1 <sub>H</sub>	D7	D6	D5	D4	D3	D2	D1	D0	
Read/write ⇒	(R/W)	(R/W)	(R/W)	(R/W)	(R/W)	(R/W)	(R/W)	(R/W)	
Default value ⇒	(X)	(X)	(X)	(X)	(X)	(X)	(X)	(X)	

#### Amplitude Data register (SGAR)

	15	14	13	12	11	10	9	8	↔ Bit no.
Address: 0000F0 <sub>H</sub>	D7	D6	D5	D4	D3	D2	D1	D0	
Read/write ⇒	(R/W)	(R/W)	(R/W)	(R/W)	(R/W)	(R/W)	(R/W)	(R/W)	
Default value ⇒	(0)	(0)	(0)	(0)	(0)	(0)	(0)	(0)	

#### Decrement Grade register (SGDR)

	7	6	5	4	3	2	1	0	↔ Bit no.
Address: 0000F3 <sub>H</sub>	D7	D6	D5	D4	D3	D2	D1	D0	
Read/write ⇒	(R/W)	(R/W)	(R/W)	(R/W)	(R/W)	(R/W)	(R/W)	(R/W)	
Default value ⇒	(X)	(X)	(X)	(X)	(X)	(X)	(X)	(X)	

#### Tone Count register (SGTR)

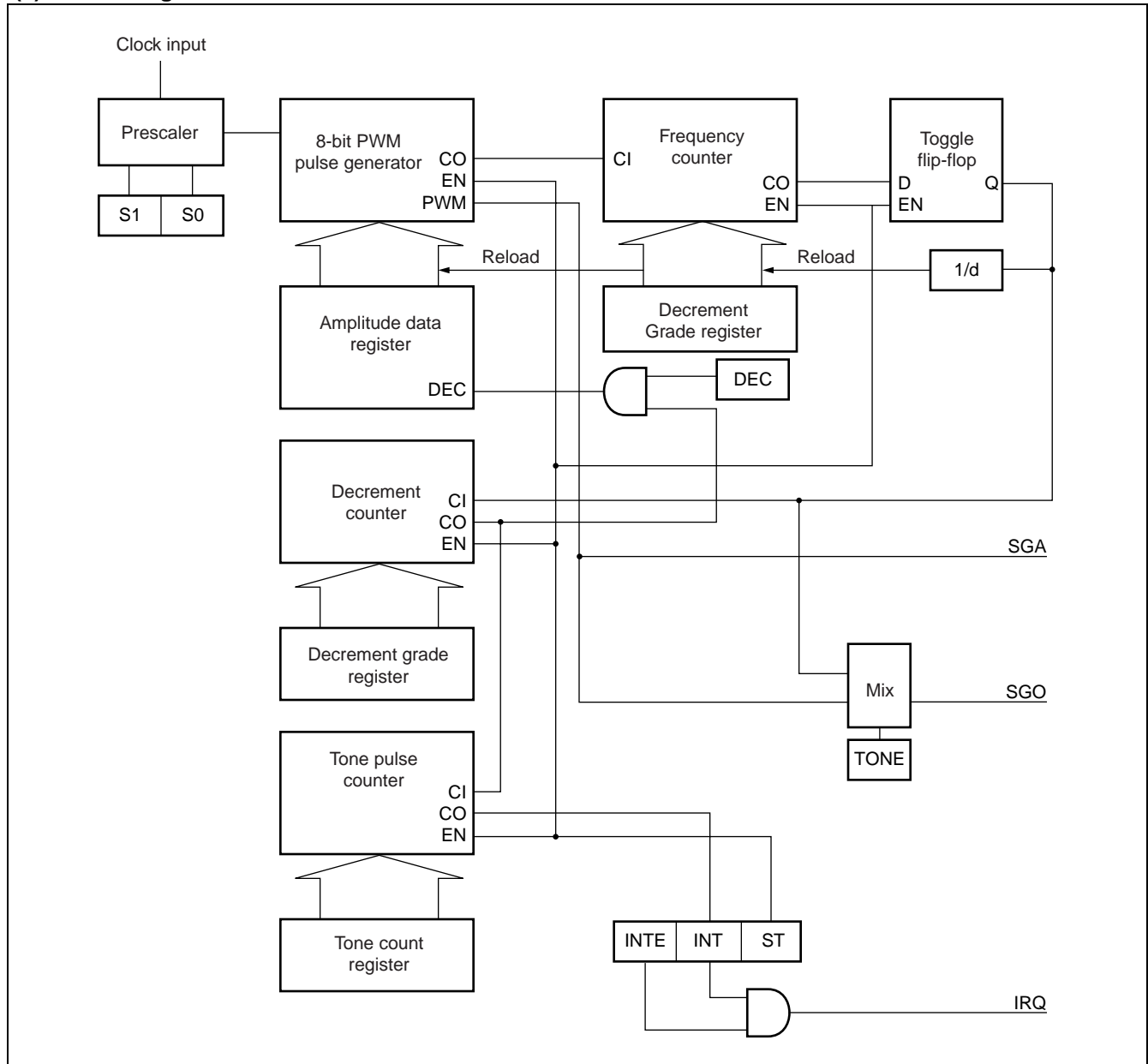
	15	14	13	12	11	10	9	8	↔ Bit no.
Address: 0000F2 <sub>H</sub>	D7	D6	D5	D4	D3	D2	D1	D0	
Read/write ⇒	(R/W)	(R/W)	(R/W)	(R/W)	(R/W)	(R/W)	(R/W)	(R/W)	
Default value ⇒	(X)	(X)	(X)	(X)	(X)	(X)	(X)	(X)	

#### Sound Disable register (SGDBL)

	7	6	5	4	3	2	1	0	↔ Bit no.
Address: 0000ED <sub>H</sub>	—	—	—	—	—	—	—	DBL	
Read/write ⇒	(—)	(—)	(—)	(—)	(—)	(—)	(—)	(R/W)	
Default value ⇒	(—)	(—)	(—)	(—)	(—)	(—)	(—)	(0)	

# MB91360G Series

## (2) Block Diagram



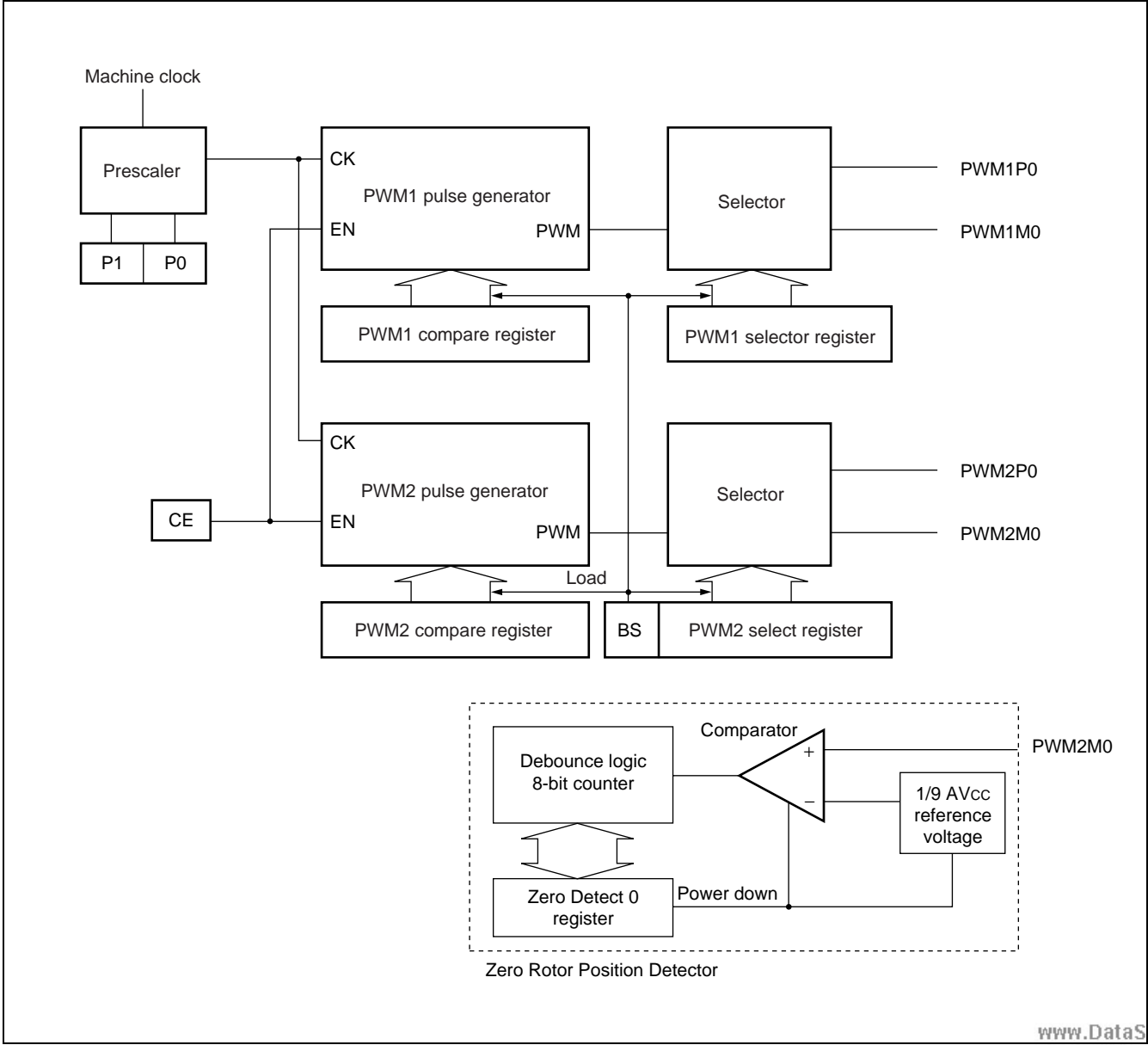
## 26. STEPPER MOTOR CONTROLLER

This section provides an overview of the Stepper Motor Control Module, and describe the register structure.

The Stepping Motor Controller consists of two PWM Pulse Generators, four motor drivers, Selector Logic and the Zero Rotor Position Detector. The four motor drivers have high output drive capabilities and they can be directly connected to the four ends of two motor coils. The combination of the PWM Pulse Generators and Selector Logic is designed to control the rotation of the motor. A Synchronization mechanism assures the synchronous operations of the two PWMs. The Zero Rotor Position Detector helps CPU obtain feed back information of the rotor movements. The following sections describe the Stepping Motor Controller 0 only. The other controllers have the same functions. The register addresses are found in the I/O map.

Note : The Rotor Zero Position Detection capability is protected by a patent from siemens VDO automatic AG and may only be used with VDO's prior approval.

### (1) Block Diagram



# MB91360G Series

## (2) Registers

### PWM Control 0 register (PWC0)

	7	6	5	4	3	2	1	0	⇐ Bit no.
Address: 0000D1H	—	—	P1	P0	CE	—	—	TST	
Read/write ⇨	(—)	(—)	(R/W)	(R/W)	(R/W)	(—)	(—)	(R/W)	
Default value ⇨	(—)	(—)	(0)	(0)	(0)	(—)	(—)	(0)	

### Zero Detect 0 register (ZPD0)

	15	14	13	12	11	10	9	8	⇐ Bit no.
Address: 0000D0H	S1	S0	TS	T2	T1	T0	PD	RS	
Read/write ⇨	(R/W)	(R/W)	(R/W)	(R/W)	(R/W)	(R/W)	(R/W)	(R/W)	
Default value ⇨	(0)	(0)	(0)	(0)	(0)	(0)	(1)	(0)	

### PWM1 Compare 0 register (PWC10)

	7	6	5	4	3	2	1	0	⇐ Bit no.
Address: 0000D9H	D7	D6	D5	D4	D3	D2	D1	D0	
Read/write ⇨	(R/W)	(R/W)	(R/W)	(R/W)	(R/W)	(R/W)	(R/W)	(R/W)	
Default value ⇨	(X)	(X)	(X)	(X)	(X)	(X)	(X)	(X)	

### PWM2 Compare 0 register (PWC20)

	15	14	13	12	11	10	9	8	⇐ Bit no.
Address: 0000D8H	D7	D6	D5	D4	D3	D2	D1	D0	
Read/write ⇨	(R/W)	(R/W)	(R/W)	(R/W)	(R/W)	(R/W)	(R/W)	(R/W)	
Default value ⇨	(X)	(X)	(X)	(X)	(X)	(X)	(X)	(X)	

### PWM1 Select register (PWS10)

	7	6	5	4	3	2	1	0	⇐ Bit no.
Address: 0000DBH	—	—	P2	P1	P0	M2	M1	M0	
Read/write ⇨	(—)	(—)	(R/W)	(R/W)	(R/W)	(R/W)	(R/W)	(R/W)	
Default value ⇨	(—)	(—)	(0)	(0)	(0)	(0)	(0)	(0)	

### PWM2 Select register (PWS20)

	15	14	13	12	11	10	9	8	⇐ Bit no.
Address: 0000DAH	—	BS	P2	P1	P0	M2	M1	M0	
Read/write ⇨	(—)	(R/W)	(R/W)	(R/W)	(R/W)	(R/W)	(R/W)	(R/W)	
Default value ⇨	(—)	(0)	(0)	(0)	(0)	(0)	(0)	(0)	

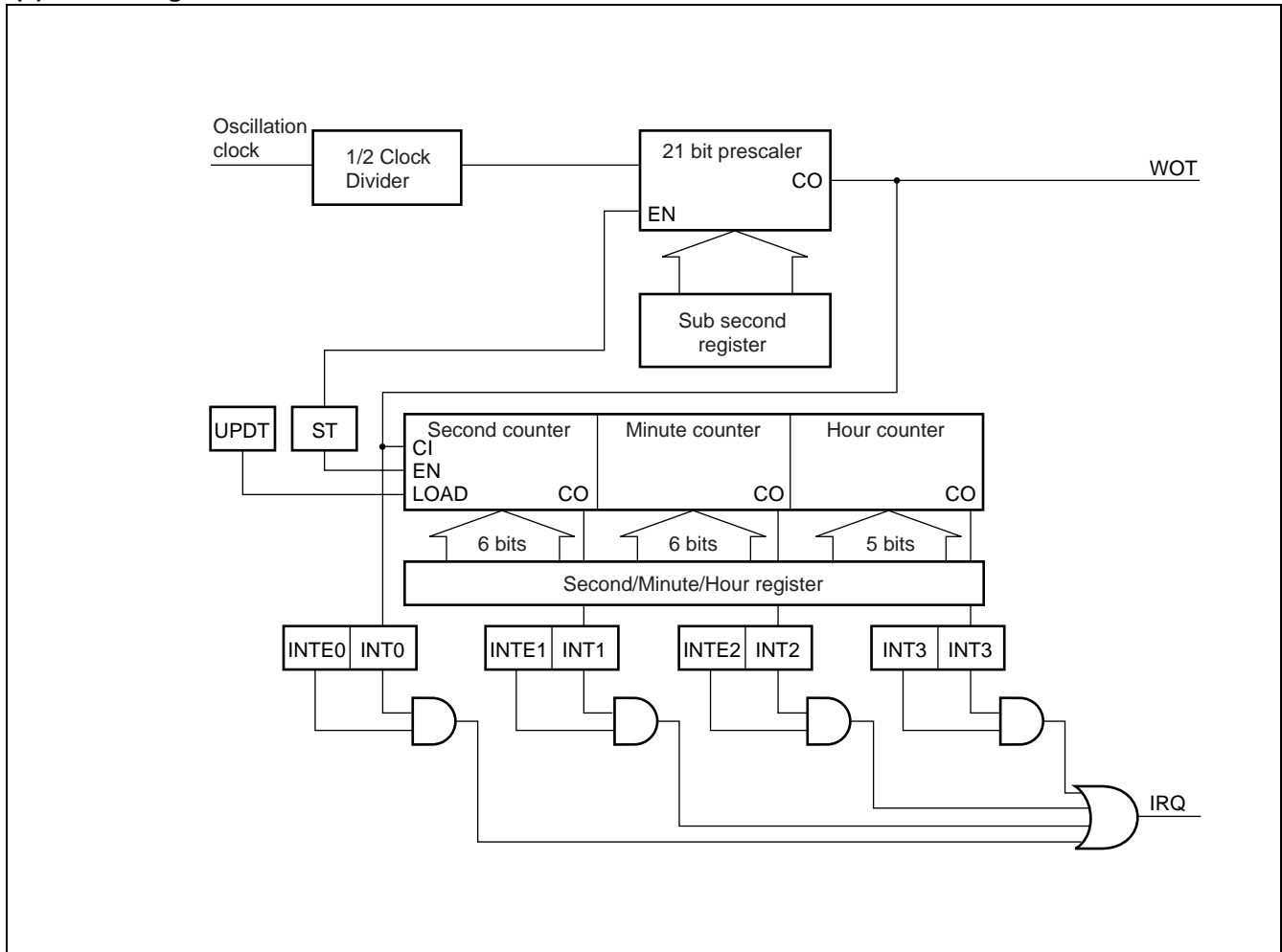
### PWM Clock Disable register (SMDBL0)

	7	6	5	4	3	2	1	0	⇐ Bit no.
Address: 0000E8H	—	—	—	—	—	—	—	DBL	
Read/write ⇨	(—)	(—)	(—)	(—)	(—)	(—)	(—)	(R/W)	
Default value ⇨	(—)	(—)	(—)	(—)	(—)	(—)	(—)	(0)	

## 27. REAL TIME CLOCK

This section provides an overview of the Real Time Clock (also called WatchTimer), describes the register structure and functions. The Real Time Clock (Watch Timer) consists of the Timer Control register, Sub-second register, Second/Minute/Hour registers, 1/2 clock divider, 21bit prescaler and Second/Minute/Hour counters. The Real Time Clock operates as the real-world timer and provides the real-world time information.

### (1) Block Diagram



# MB91360G Series

## (2) Registers

### Timer disable register (WTDBL)

	7	6	5	4	3	2	1	0	⇐ Bit no.
Address: 0000F5 <sub>H</sub>	—	—	—	—	—	—	—	DBL	
Read/write ⇨	(—)	(—)	(—)	(—)	(—)	(—)	(—)	(R/W)	
Default value ⇨	(—)	(—)	(—)	(—)	(—)	(—)	(—)	(0)	

### Timer control register (WTCR)

	7	6	5	4	3	2	1	0	⇐ Bit no.
Address: 0000F7 <sub>H</sub>	TST2	TST1	TST0	—	RUN	UPDT	—	ST	
Read/write ⇨	(R/W)	(R/W)	(R/W)	(—)	(R)	(R/W)	(—)	(R/W)	
Default value ⇨	(0)	(0)	(0)	(—)	(0)	(0)	(—)	(0)	

	15	14	13	12	11	10	9	8	⇐ Bit no.
Address: 0000F6 <sub>H</sub>	INTE3	INT3	INTE2	INT2	INTE1	INT1	INTE0	INT0	
Read/write ⇨	(R/W)	(R/W)	(R/W)	(R/W)	(R/W)	(R/W)	(R/W)	(R/W)	
Default value ⇨	(0)	(0)	(0)	(0)	(0)	(0)	(0)	(0)	

### Sub-second register (WTBR)

	7	6	5	4	3	2	1	0	⇐ Bit no.
Address: 0000FB <sub>H</sub>	D7	D6	D5	D4	D3	D2	D1	D0	
Read/write ⇨	(R/W)	(R/W)	(R/W)	(R/W)	(R/W)	(R/W)	(R/W)	(R/W)	
Default value ⇨	(X)	(X)	(X)	(X)	(X)	(X)	(X)	(X)	

	15	14	13	12	11	10	9	8	⇐ Bit no.
Address: 0000FA <sub>H</sub>	D15	D14	D13	D12	D11	D10	D9	D8	
Read/write ⇨	(R/W)	(R/W)	(R/W)	(R/W)	(R/W)	(R/W)	(R/W)	(R/W)	
Default value ⇨	(X)	(X)	(X)	(X)	(X)	(X)	(X)	(X)	

	7	6	5	4	3	2	1	0	⇐ Bit no.
Address: 0000F9 <sub>H</sub>	—	—	—	D20	D19	D18	D17	D16	
Read/write ⇨	(—)	(—)	(—)	(R/W)	(R/W)	(R/W)	(R/W)	(R/W)	
Default value ⇨	(—)	(—)	(—)	(X)	(X)	(X)	(X)	(X)	

### Second register (WTSR)

	15	14	13	12	11	10	9	8	⇐ Bit no.
Address: 0000FE <sub>H</sub>	—	—	S5	S4	S3	S2	S1	S0	
Read/write ⇨	(—)	(—)	(R/W)	(R/W)	(R/W)	(R/W)	(R/W)	(R/W)	
Default value ⇨	(—)	(—)	(X)	(X)	(X)	(X)	(X)	(X)	

(Continued)

(Continued)

Minute register (WTMR)

	7	6	5	4	3	2	1	0	⇐ Bit no.
Address: 0000FD <sub>H</sub>	—	—	M5	M4	M3	M2	M1	M0	
Read/write ⇨	(—)	(—)	(R/W)	(R/W)	(R/W)	(R/W)	(R/W)	(R/W)	
Default value ⇨	(—)	(—)	(X)	(X)	(X)	(X)	(X)	(X)	

Hour register (WTHR)

	15	14	13	12	11	10	9	8	⇐ Bit no.
Address: 0000FC <sub>H</sub>	—	—	—	H4	H3	H2	H1	H0	
Read/write ⇨	(—)	(—)	(—)	(R/W)	(R/W)	(R/W)	(R/W)	(R/W)	
Default value ⇨	(—)	(—)	(—)	(X)	(X)	(X)	(X)	(X)	

# MB91360G Series

## 28. SUBCLOCK

The Subclock System provides various power saving modes. The key of the concept is to supply the 32 kHz clock signal only to the Real Time Clock (RTC) Module, while the rest of the MCU is provided with 4 MHz clock signal in order to achieve lower power supply current in the RTC32K mode.

This behavior can be altered by the configuration input, SELCLK pin to switch the RTC module to operate with the 4 MHz clock. The following sections describe the operation with SELCLK connected to "0" and SELCLK connected to "1" respectively.

Note : On MB91F361GA and MB91F362GA SELCLK should always be connected to "1", subclock operation is not implemented on those devices.

### (1) Operation of Subclock (SELCLK = 0)

The next table summarizes the operation states of the components related to the Subclock System. To simplify this table SLEEP modes are not listed but the operation is the same as for RUN modes except that the CPU is stopped.

Mode	Power dissipation	Operation of components				
		4 M Osc.	32 K Osc.	RTC	CPU & Peripheral	PLL
RUN	High	Run	Run	Run	Run	Stop/Run
RTC4M32K	Medium Low	Run	Run	Run	Stop	Stop
RTC32K	Low	Stop	Run	Run	Stop	Stop
STOP	Lowest	Stop	Stop	Stop	Stop	Stop

The following table summarizes those operation modes and necessary software settings.

Mode	Software Setting					
	STOP	PLL1EN	PLL2EN	OSCD1	OSCD2	RTC32
RUN	0	0 or 1	1	Don't Care	Don't Care	Don't Care
RTC4M32K	1	Don't Care	1	0	0	Don't Care
RTC32K	1	Don't Care	1	1	0	1
STOP	1	Don't Care	Don't Care	1	1	Don't Care

It is recommended that PLL2EN is set to "1" after the initialization to start the 32 kHz oscillation and this bit should be kept at "1" during the operation. Otherwise the 32 kHz oscillator does not start. Also bits 9 and 10 of the CLKR register (address 0046H) should always be set to "0" during operation.



## (2) 4 MHz Real Time Clock Configuration (SELCLK = 1)

When the SELCLK pad is connected logic level 1, the 32 kHz oscillation is disabled regardless of the software setting. In this configuration, the Real Time Clock Module is supplied with the 4 MHz oscillation clock signal.

The following table summaries the modes available in this configuration.

Mode	Power dissipation	Operation of components				
		4 M Osc.	32 K Osc.	RTC	CPU & Peripheral	PLL
RUN	High	Run	Stop	Run	Run	Stop/Run
RTC4M	Medium Low	Run	Stop	Run	Stop	Stop
STOP	Lowest	Stop	Stop	Stop	Stop	Stop

Mode	Software Setting					
	STOP	PLL1EN	PLL2EN	OSCD1	OSCD2	RTC32
RUN	0	0 or 1	Don't Care	Don't Care	Don't Care	Don't Care
RTC4M	1	Don't Care	Don't Care	0	Don't Care	Don't Care
STOP	1	Don't Care	Don't Care	1	Don't Care	Don't Care

## (3) Use of Real Time Clock Module

There is some additional consideration needed to operate the RTC module to achieve the desired functionality.

Because the RTC module is directly connected to the 32 kHz oscillation clock, the oscillation stabilization time has to be taken care of by the software. This can be achieved by using another timer (e.g the Time Base Timer) to trigger the software to start the RTC module (Setting of ST bit to "1").

It is also important to stop the RTC module before entering the STOP mode. Otherwise, the reactivation from STOP mode results in unpredictable operation of the RTC module.

After the reactivation, the oscillation stabilization time has to be measured again by the software, then the RTC module can be restarted.

# MB91360G Series

## 29. 32 kHz CLOCK CALIBRATION UNIT

The 32 kHz Clock Calibration Module provides possibilities to calibrate the 32 kHz oscillation clock with respect to the 4 MHz oscillation clock.

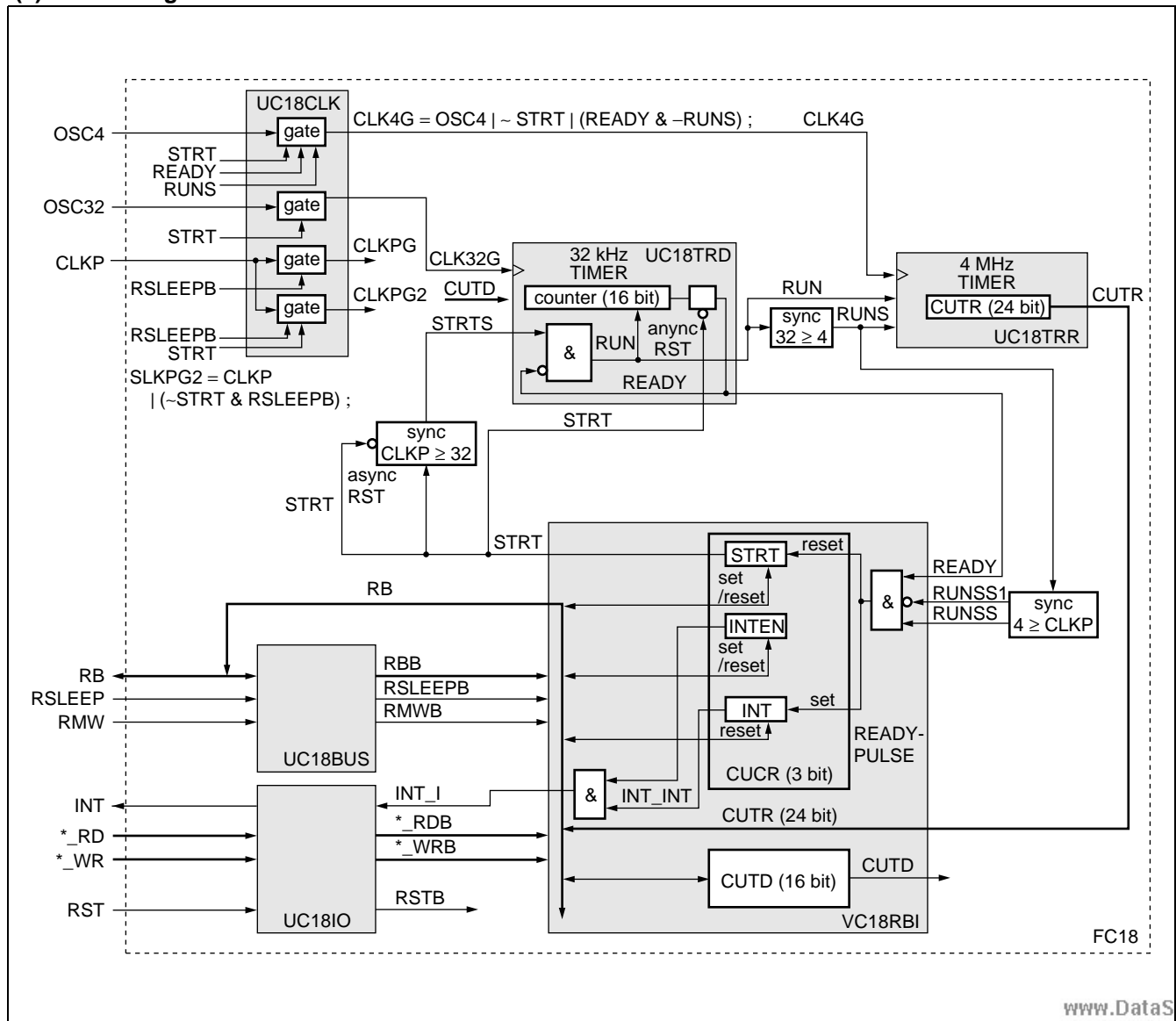
### (1) Description

This hardware allows the software to measure time generated by the 32 kHz clock with the 4 MHz clock.

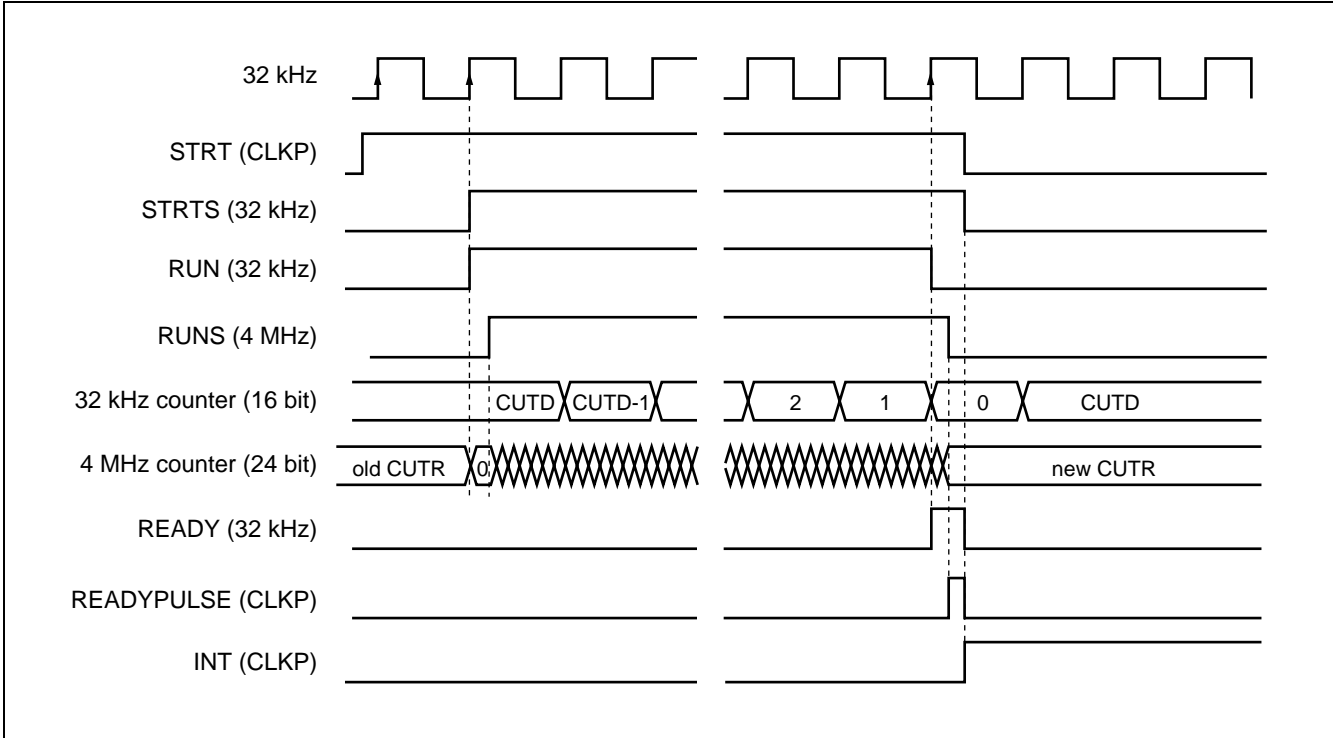
By utilizing this hardware in conjunction with software processing, the accuracy of the 32 kHz clock can come closer to that of the 4 MHz clock. The measurement result from the 32 kHz Clock Calibration Module can be processed by the software and the setting required for the Real Time Clock Module can be obtained.

This module consists of two timers, one operating with the 32 kHz clock and the other operating with the 4 MHz clock. The 32 kHz timer triggers the 4 MHz timer and resulting 4 MHz timer value is stored in a register. The value stored in this register can be used for the subsequent software processing to calculate the desired Real Time Clock module's setting.

### (2) Block Diagram



(3) Timing



# MB91360G Series

## (4) Clocks

The module operates with 3 different clocks : The 4 MHz clock OSC4, the 32 kHz clock OSC32 and the Rbus clock CLKP. Synchronization circuits adapt the different domains.

All 3 clocks are gated. The 32 kHz and the 4 MHz clock are switched off if STRT is 0. CLKPG is gated by RSLEEP and CLKPG2 by RSLEEP and STRT for the 2 bits, which are set/reset by hardware.

The clock frequencies have to fulfill the following requirements :

### 1.) Clock ratio

$$T_{OSC32} > 2 \times T_{OSC4} + 3 \times T_{CLKP}$$

$$T_{OSC4} < 1 / 2 \times T_{OSC32} - 3 / 2 \times T_{CLKP}$$

$$T_{CLKP} < 1 / 3 \times T_{OSC32} - 2 / 3 \times T_{OSC4}$$

2.) The input frequencies must not exceed the values given in next table.

### Maximum operation frequencies

	CLKP		OSC32		OSC4	
maximum	32 MHz	31.25 ns	4 MHz	250 ns	13 MHz	76.9 ns

### Examples of valid clock ratios which fulfill requirements 1 and 2

	OSC32		OSC4		CLKP	
maximum operation speed	4 MHz	250 ns	13 MHz	76.9 ns	32 MHz	31.25 ns
standard TDIR mode	500 kHz	2000 ns	4 MHz	250 ns	4 MHz	250 ns
normal operation	32 kHz	31.25 us	4 MHz	250 ns	> 2 MHz	500 ns

## (5) Register Description

### a : Calibration Unit Control Register (CUCR)

Control Register low byte (CUCRL)

	7	6	5	4	3	2	1	0	⇔ Bit no.
Address: 000191 <sub>H</sub>	—	—	—	STRT	—	—	INT	INTEN	
Read/write ⇨	(R)	(R)	(R)	(R/W)	(R)	(R/W)	(R/W)	(R/W)	
Default value ⇨	(0)	(0)	(0)	(0)	(0)	(0)	(0)	(0)	

### b : 32 kHz Timer Data Register (CUTD)

32 kHz Timer Data Register high byte (CUTDH)

	15	14	13	12	11	10	9	8	⇔ Bit no.
Address: 000192 <sub>H</sub>	TDD15	TDD14	TDD13	TDD12	TDD11	TDD10	TDD9	TDD8	
Read/write ⇨	(R/W)	(R/W)	(R/W)	(R/W)	(R/W)	(R/W)	(R/W)	(R/W)	
Default value ⇨	(1)	(0)	(0)	(0)	(0)	(0)	(0)	(0)	

32 kHz Timer Data Register low byte (CUTDL)

	7	6	5	4	3	2	1	0	⇔ Bit no.
Address: 000193 <sub>H</sub>	TDD7	TDD6	TDD5	TDD4	TDD3	TDD2	TDD1	TDD0	
Read/write ⇨	(R/W)	(R/W)	(R/W)	(R/W)	(R/W)	(R/W)	(R/W)	(R/W)	
Default value ⇨	(0)	(0)	(0)	(0)	(0)	(0)	(0)	(0)	

### c : 4 MHz Timer Data Register (CUTR)

4 MHz Timer Data Register1 high byte (CUTR1H)

	15	14	13	12	11	10	9	8	⇔ Bit no.
Address: 000194 <sub>H</sub>	—	—	—	—	—	—	—	—	
Read/write ⇨	(R)	(R)	(R)	(R)	(R)	(R)	(R)	(R)	
Default value ⇨	(0)	(0)	(0)	(0)	(0)	(0)	(0)	(0)	

4 MHz Timer Data Register1 low byte (CUTR1L)

	7	6	5	4	3	2	1	0	⇔ Bit no.
Address: 000195 <sub>H</sub>	TDR23	TDR22	TDR21	TDR20	TD19	TDR18	TDR17	TDR16	
Read/write ⇨	(R)	(R)	(R)	(R)	(R)	(R)	(R)	(R)	
Default value ⇨	(0)	(0)	(0)	(0)	(0)	(0)	(0)	(0)	

4 MHz Timer Data Register2 high byte (CUTR2H)

	15	14	13	12	11	10	9	8	⇔ Bit no.
Address: 000196 <sub>H</sub>	TDR15	TDR14	TDR13	TDR12	TDR11	TDR10	TDR9	TDR8	
Read/write ⇨	(R)	(R)	(R)	(R)	(R)	(R)	(R)	(R)	
Default value ⇨	(0)	(0)	(0)	(0)	(0)	(0)	(0)	(0)	

4 MHz Timer Data Register2 low byte (CUTR2L)

	7	6	5	4	3	2	1	0	⇔ Bit no.
Address: 000197 <sub>H</sub>	TDR7	TDR6	TDR5	TDR4	TD3	TDR2	TDR1	TDR0	
Read/write ⇨	(R)	(R)	(R)	(R)	(R)	(R)	(R)	(R)	
Default value ⇨	(0)	(0)	(0)	(0)	(0)	(0)	(0)	(0)	

# MB91360G Series

## 30. FLASH MEMORY

MB91360G series devices feature 512 K of embedded flash memory unit derived from the MB29LV400C and the FLASH Memory interface circuit.

### (1) Out Line of Flash Memory

The Flash Memory consists of a flash memory unit derived from the MBM29LV400C and a flash memory interface circuit.

Flash Memory :

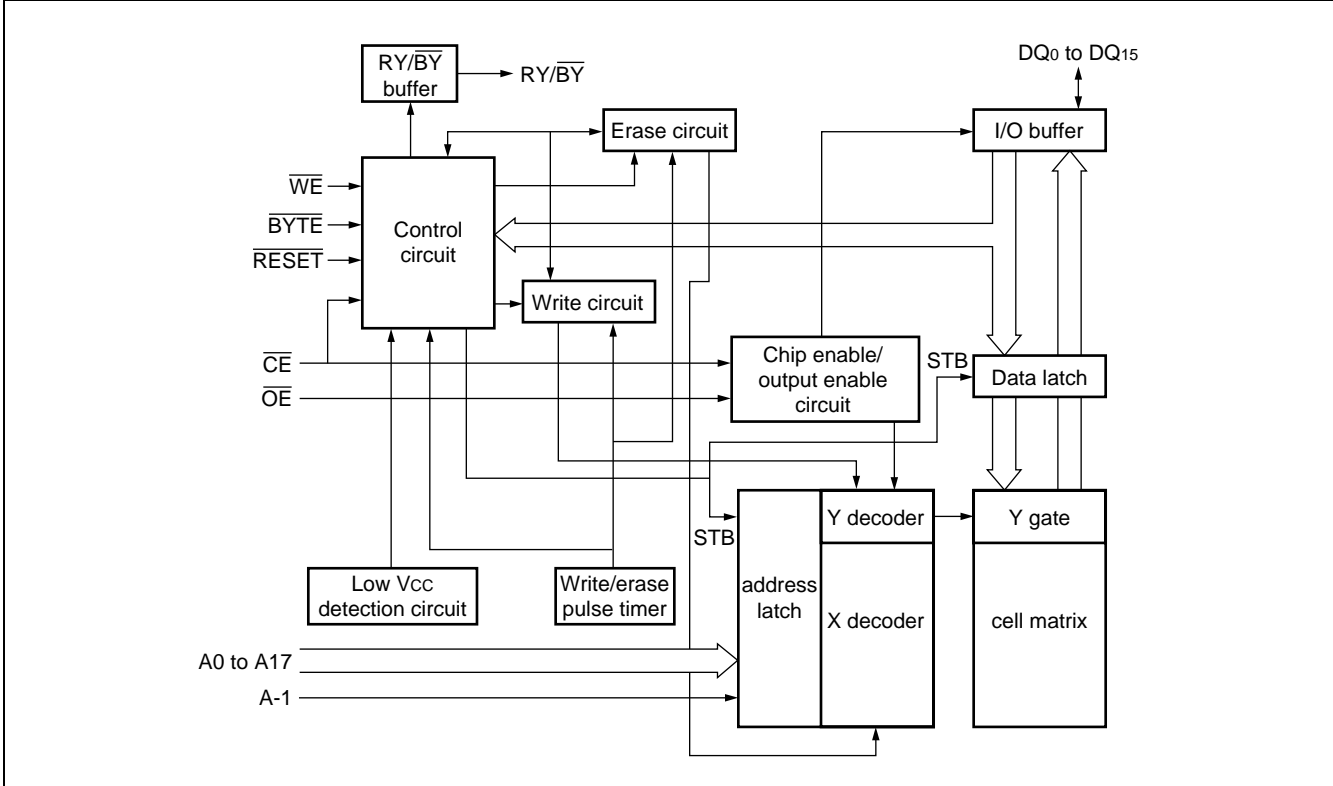
- 512 Kword × 8 bit/256 Kword × 16 bit/128 Kword × 32 bit  
(64 Kbyte×3 + 32 Kbyte + 8 Kbyte×2 + 16 Kbyte) sectors
- Uses automatic program algorithm (Embedded Algorithm™)
- Erase pause/restart function
- Detects completion of writing/erasing using data polling or toggle bit functions
- Detects completion of writing/erasing by RY/BY pin
- Compatible with JEDEC standard commands
- Performs minimum of 10,000 write/erase operations
- Sector erase function (any combination of sectors)
- Sector protect function
- Temporary sector protect cancellation function
- Allows flash memory interface circuit to write to/erase flash memory both under control of external pin by writer and under control of internal bus by CPU.

Embedded Algorithm™ is a registered trademark of Advanced Micro Devices, Inc.

**(2) Block diagrams of Flash Memory**

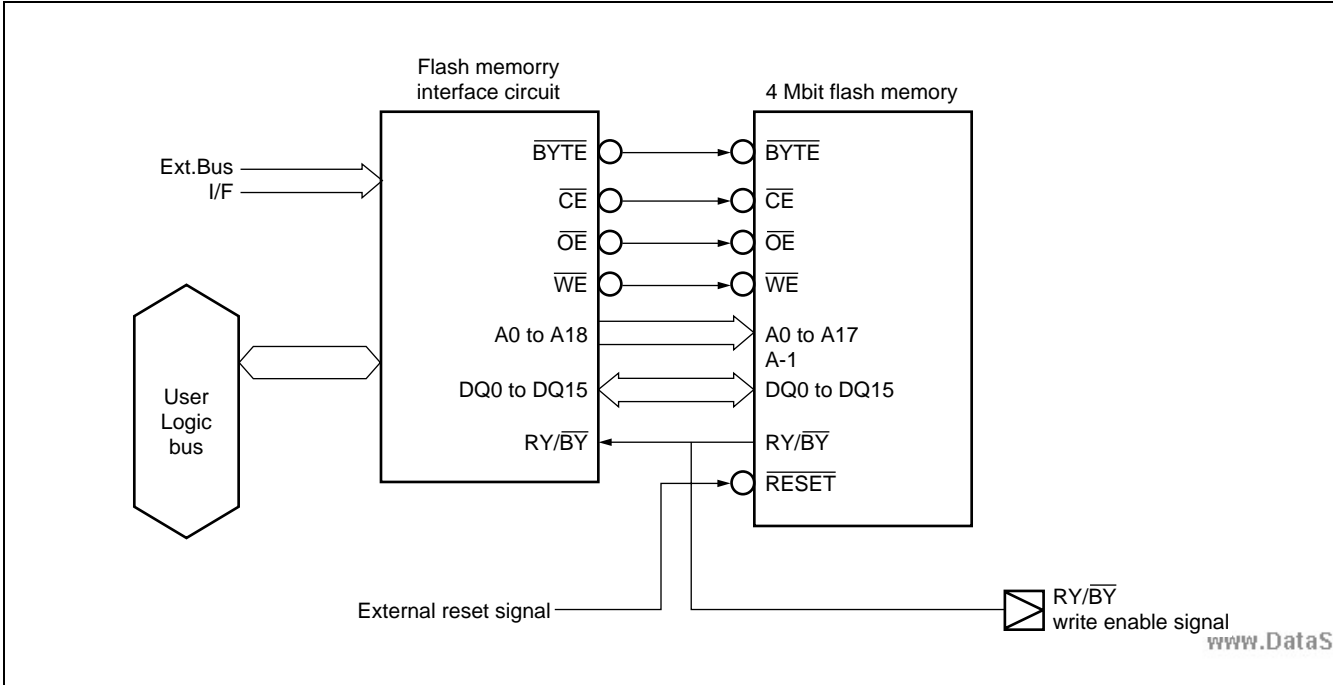
**a : Block diagram of Flash Memory**

Figure shows the block diagram of the flash memory unit, which has almost the same configuration as the MBM29LV400C.



**b : Entire block diagram of Flash Memory**

Figure shows the entire block diagram of the Flash Memory with the flash memory interface circuit.



# MB91360G Series

## c : Sector configuration

### i) write, byte read, half word read

		Flash Memory mode	Other modes
8 bit × 2		7FFFF <sub>H</sub>	FFFF <sub>H</sub>
Sector 13	16 KB	7C000 <sub>H</sub>	FC000 <sub>H</sub>
Sector 12	8 KB	7A000 <sub>H</sub>	FA000 <sub>H</sub>
Sector 11	8 KB	78000 <sub>H</sub>	F8000 <sub>H</sub>
Sector 10	32 KB	70000 <sub>H</sub>	F0000 <sub>H</sub>
Sector 9	64 KB	60000 <sub>H</sub>	E0000 <sub>H</sub>
Sector 8	64 KB	50000 <sub>H</sub>	D0000 <sub>H</sub>
Sector 7	64 KB	40000 <sub>H</sub>	C0000 <sub>H</sub>
Sector 6	16 KB	3C000 <sub>H</sub>	BC000 <sub>H</sub>
Sector 5	8 KB	3A000 <sub>H</sub>	BA000 <sub>H</sub>
Sector 4	8 KB	38000 <sub>H</sub>	B8000 <sub>H</sub>
Sector 3	32 KB	30000 <sub>H</sub>	B0000 <sub>H</sub>
Sector 2	64 KB	20000 <sub>H</sub>	A0000 <sub>H</sub>
Sector 1	64 KB	10000 <sub>H</sub>	90000 <sub>H</sub>
Sector 0	64 KB	00000 <sub>H</sub>	80000 <sub>H</sub>

### ii) long word read

MSB		LSB		Flash Memory mode	Other modes
8 bit × 2		8 bit × 2		7FFFF <sub>H</sub>	FFFF <sub>H</sub>
Sector 13	16 KB	Sector 6	16 KB	78000 <sub>H</sub>	F8000 <sub>H</sub>
Sector 12	8 KB	Sector 5	8 KB	74000 <sub>H</sub>	F4000 <sub>H</sub>
Sector 11	8 KB	Sector 4	8 KB	70000 <sub>H</sub>	F0000 <sub>H</sub>
Sector 10	32 KB	Sector 3	32 KB	60000 <sub>H</sub>	E0000 <sub>H</sub>
Sector 9	64 KB	Sector 2	64 KB	40000 <sub>H</sub>	C0000 <sub>H</sub>
Sector 8	64 KB	Sector 1	64 KB	20000 <sub>H</sub>	A0000 <sub>H</sub>
Sector 7	64 KB	Sector 0	64 KB	00000 <sub>H</sub>	80000 <sub>H</sub>



## (3) Write/Erase Modes

The flash memory can be accessed in two different ways; the flash memory mode allowing write/erase directly from the external pins, and the other modes allowing write/erase from the CPU via the internal bus. These modes are selected by the external mode pins.

### a : Flash Memory mode

The CPU stops when the mode pins are set to 111 while the INITX signal is asserted. The flash memory interface circuit is directly connected to the external bus interface, allowing direct control by the external pins. This mode makes the MCU seem like a standard flash memory at the external pins, and write/erase can be performed using a flash memory programmer.

In the flash memory mode all the operations supported by the flash memory automatic algorithm can be used.

### b : Other modes

The flash memory is located in the CS1X area of the CPU memory space and like ordinary mask ROM can be read-accessed and program-accessed from the CPU through the flash memory interface circuit.

Writing/erasing the flash memory is performed by instructions from the CPU via the flash memory interface circuit. Therefore, this mode allows rewriting even when the MCU is soldered on the target board.

The sector protect operations can not be performed in these modes.

### c : Control signals of flash memory

Next table lists the flash memory control signals in the flash memory mode.

There is almost a one-to-one correspondence between the flash memory control signals and the external pins of the MBM291V400TA. The  $V_{ID}$  (12 V) pins required by the sector protect operations are MD0, MD1 and MD2 instead of A9, RESET and OE for the MBM29LV400C.

In the flash memory mode, the width of the external data bus can be 8 or 16 bit.

# MB91360G Series

## Flash Control Signals

### • MB91F362GA

#### Pins used in flash memory mode

MB91F362GA			MBM29LV400C	Notes
Pin number	Normal function	Flash Memory mode		
1 to 8	D24 to D31	D24 to D31	DQ8 to DQ15	
9	A0	A0	A-1	
10 to 24	A1 to A15	A1 to A15	A0 to A14	
27 to 30	A16 to A18	A16 to A18	A15 to A17	
32	CS4X	CS4X	WE	
33	CS5X	CS5X	BYTE	
35	RDY	RDY	OE	
36	BGRNTX	BGRNTX	CE	
37	BRQ	BRQ	RY/ $\overline{\text{BY}}$	
111	MD0	VDA9	A9 ( $V_{\text{ID}}$ )	
112	MD1	VDRS	$\overline{\text{RESET}}$ ( $V_{\text{ID}}$ )	
113	MD2	VDOE	OE ( $V_{\text{ID}}$ )	
115	INITX	INITX	RESET	
201 to 208	D16 to D23	D16 to D23	DQ0 to DQ7	
183 to 197, 200	D0 to D15	Output when reading from flash	—	Pull up
34	CS6X	TMODEX	—	Must be pulled up
30 to 31	A19 to A20	A19 to A20	—	Pull up or pull down

A19, A20 should be pulled up,  $\overline{\text{INITX}}$  must be low during power on for at least 500 ns.

#### Pins not used in flash memory mode

MB91F362GA			Notes
Pin number	Normal function	Pin state	
75 to 76	DA0, DA1	output	leave open
77	ALARM	input	pull down
81 to 83	TESTX, CPUTESTX, LTESTX	input	pull up or leave open (internal pull-up)
114	HSTX	input	pull up or leave open (internal pull-up)
116	MONCLK	output	leave open
117	SELCLK	input	pull up
119, 121	X0, X0A	input	pull down
120, 122	X1, X1A	output	leave open
124	CPO	output	leave open
125	VCI	input	pull down
all other signals			Pull up

# MB91360G Series

## • MB91FV360GA

MB91FV360GA			MBM29LV400C
Pin number	Normal function	Flash Memory mode	
202	A0	A0	A-1
310	A1	A1	A0
201	A2	A2	A1
357	A3	A3	A2
257	A4	A4	A3
144	A5	A5	A4
309	A6	A6	A5
256	A7	A7	A6
200	A8	A8	A7
356	A9	A9	A8
308	A10	A10	A9
92	A11	A11	A10
44	A12	A12	A11
255	A13	A13	A12
143	A14	A14	A13
199	A15	A15	A14
307	A16	A16	A15
91	A17	A17	A16
142	A18	A18	A17
140	CS4X	CS4X	$\overline{WE}$
196	CS5X	CS5X	$\overline{BYTE}$
89	CS6X	TMODX	—
305	RDY	RDY	$\overline{OE}$
139	BGRNTX	BGRNTX	$\overline{CE}$
88	BRQ	BRQ	RY/ $\overline{BY}$
293	MD0	VDA9	A9 (V <sub>ID</sub> )
31	MD1	VDRS	$\overline{RESET}$ (V <sub>ID</sub> )
239	MD2	VDOE	$\overline{OE}$ (V <sub>ID</sub> )
30	INITX	INITX	$\overline{RESET}$
46	D16	D16	DQ0
95	D17	D17	DQ1
1	D18	D18	DQ2
148	D19	D19	DQ3
205	D20	D20	DQ4

(Continued) [heet4U.com](http://www.heet4U.com)

# MB91360G Series

(Continued)

MB91FV360GA			MBM29LV400C
Pin number	Normal function	Flash Memory mode	
45	D21	D21	DQ5
94	D22	D22	DQ6
260	D23	D23	DQ7
312	D24	D24	DQ8
204	D25	D25	DQ9
147	D26	D26	DQ10
93	D27	D27	DQ11
259	D28	D28	DQ12
203	D29	D29	DQ13
146	D30	D30	DQ14
258	D31	D31	DQ15

## • MB91F369GA

MB91F369GA				MBM29LV400C
Pin number	Normal function	Flash Memory mode	Function in Flash Memory mode	
58	MD0	HVDA9	High Volt. A9 <sup>(c)</sup>	A9 (V <sub>ID</sub> )
59	MD1	HVDR5	High Volt. RESET <sup>(c)</sup>	$\overline{\text{RESET}}$ (V <sub>ID</sub> )
60	MD2	HVDOE	High Volt. OE <sup>(c)</sup>	$\overline{\text{OE}}$ (V <sub>ID</sub> )
62	INTX	RSTX	Hardware Reset	$\overline{\text{RESET}}$
68	INT0	RY/BYX	Ready/Busy	RY/ $\overline{\text{BY}}$
69	INT1	CEX	Chip Enable	$\overline{\text{CE}}$
70	INT2	TSTX <sup>(a)</sup>	Flash Test	
71	INT3	BYTEX	switch 8/16 bit mode	$\overline{\text{BYTE}}$
72	INT4	WEX	Write Enable	$\overline{\text{WE}}$
73	INT5	OEX	Output Enable	$\overline{\text{OE}}$
74	INT6	ATDIN <sup>(b)</sup>	Access signal ATD	
75	INT7	EQIN <sup>(b)</sup>	Access signal EQ	
121 to 136	D0 to D15	AQ19 downto AQ4	Address input	A19 downto A4
139 to 154	D16 to D31	DQ16 to DQ31	Data input/output	DQ0 to DQ15
157 to 160	A0 to A3	AQ0 to AQ3	Address input	A0 to A3

- a. Pin 70 must be pulled high in Flash Memory Mode.
- b. Pins 74 and 75 must be pulled low in Flash Memory Mode.
- c. Functionality as described in the Data Sheet of MBM29LV400C.

AVRH must be tight to a high level, ALARM to a low level. All other Pins can be left open during Flash Memory Mode.

## (4) Flash Control Status Register (FMCS)

Flash Memory Macros used in devices :

Normal Flash Macro used in : MB91F362GA

Fast Flash Macro used in : MB91FV360GA

Address	bit 7	bit 6	bit 5	bit 4	bit 3	bit 2	bit 1	bit 0
FV360GA, F362GA : 00007000 <sub>H</sub>	FACCEN	—	—	RDYEG*	RDY	RDYI	WE	LPM
Access	R/W	R/W	R/W	R	R	R/W	R/W	R/W
Initial value	1	1	1	0	X	0	0	0
value after Boot ROM	0	1	1	0	X	0	0	0

\*: It is not allowed to use RDYEG.

# MB91360G Series

## (5) Read/Write Access

In the flash memory mode, read/write access to the flash memory must be under control of the external pins. However, with the CPU access, there are no special timing constraints on read/write access because the flash memory is controlled by the flash memory interface circuit.

In this section, “write access” does not directly mean “program flash memory”. It implies “activation of the flash commands”.

### a : Read/write access in flash memory mode

Next table gives the setting of pins for read/write access in the Flash Memory mode. There is no special problem with control of these pins if connected to a flash memory writer. However, in other cases, timing specifications must be met.

**Setting Conditions of Pins for Read/Write Access in Flash Memory Mode**

Operations	BGRNTX ( $\overline{CE}$ )	RDY ( $\overline{OE}$ )	CS4X ( $\overline{WE}$ )	A0 to A18	D16 to D31	$\overline{INIT}$
Read	L	L	H	Read address	D <sub>OUT</sub>	H
Write	L	H	L	Write address	D <sub>IN</sub>	H
Output disable	L	H	H	x	High-Z	H
Standby	H	x	x	x	High-Z	H
Hardware reset	x	x	x	x	High-Z	L

Note : This table uses pin names from F362GA. Check corresponding pin names of other devices.

### b : Read access with CPU

#### Flash Wait Control Register (FMWT)

Address	bit 7	bit 6	bit 5	bit 4	bit 3	bit 2	bit 1	bit 0
00007004 <sub>H</sub>	—	—	FAC1	FAC0	EQINH	WTC2	WTC1	WTC0
Access		R/W	R/W	R/W	R/W	R/W	R/W	R/W
Initial value								
value after Boot ROM		0	0	0	0	0	1	1
Normal Flash Macro		0	0	0	0	0	1	1
value after Boot ROM		0	0	1	0	0	1	1
Fast Flash Macro								

## Normal Flash Macro : Recommended settings

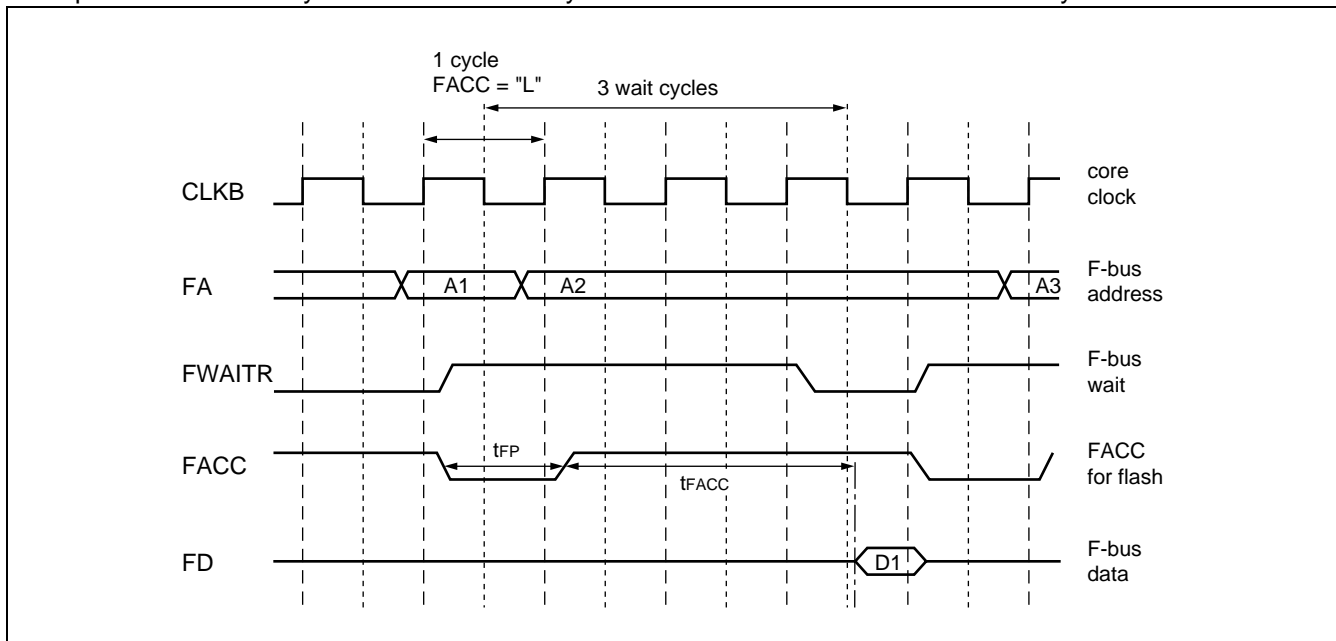
Without applying clock modulation

CLKB unmodulated core clock frequency [MHz]	FAC1	FAC0	EQINH	WTC2	WTC1	WTC0	FACC low cycles/wait cycles	FMWT
64	0	1	0	0	1	1	1 / 3	13 <sub>H</sub>
48	0	1	0	0	1	1	1 / 3	13 <sub>H</sub>
40	0	1	0	0	1	0	1 / 2	12 <sub>H</sub>
32	0	0	0	0	1	0	0.5 / 2	02 <sub>H</sub>
24	0	0	0	0	0	1	0.5 / 1	01 <sub>H</sub>
16	0	0	0	0	0	1	0.5 / 1	01 <sub>H</sub>

When applying clock modulation

CLKB core clock frequency [MHz]	Peak Max frequency	FAC1	FAC0	EQINH	WTC2	WTC1	WTC0	FACC low cycles/wait cycles	FMWT
48	64	0	1	0	0	1	1	1 / 3	13 <sub>H</sub>
32	48	0	1	0	0	1	1	1 / 3	13 <sub>H</sub>
24	40	0	1	0	0	1	0	1 / 2	12 <sub>H</sub>
24	32	0	0	0	0	1	0	0.5 / 2	02 <sub>H</sub>
16	24	0	0	0	0	0	1	0.5 / 1	01 <sub>H</sub>

Example for flash memory read access with 1 cycle for the low time of FACC and 3 wait cycles



The minimum value for  $t_{FP}$  is 15 ns, for  $t_{FACC}$  it is 40 ns.

# MB91360G Series

## Fast Flash Macro : Recommended settings

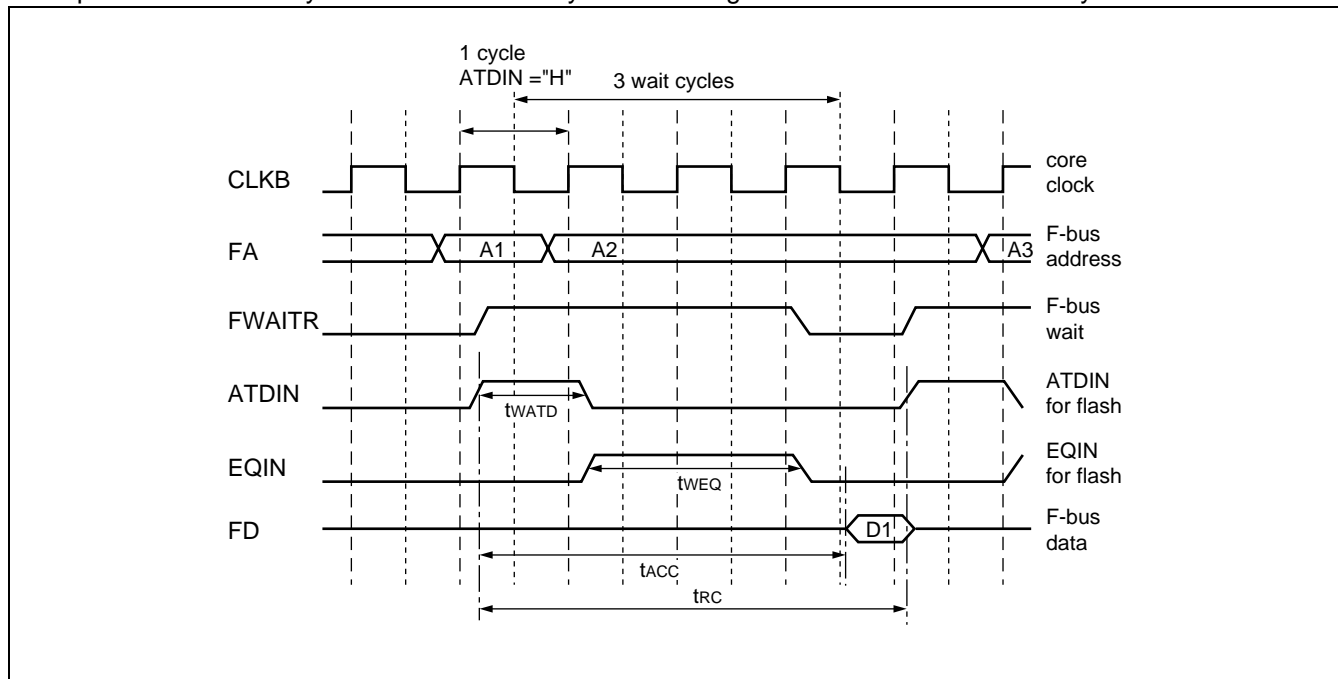
### Without applying clock modulation

CLKB unmodulated core clock frequency [MHz]	FAC1	FAC0	EQINH	WTC2	WTC1	WTC0	ATDIN high cycles/wait cycles	FMWT
64	0	1	0	0	1	1	1 / 3	13 <sub>H</sub>
48	0	0	0	0	1	0	0.5 / 2	02 <sub>H</sub>
40	0	0	0	0	1	0	0.5 / 2	02 <sub>H</sub>
32	0	0	1	0	0	1	0.5 / 1	09 <sub>H</sub>
24	0	0	0	0	0	1	0.5 / 1	01 <sub>H</sub>
16	0	0	0	0	0	1	0.5 / 1	01 <sub>H</sub>

### When applying clock modulation

CLKB core clock frequency [MHz]	Peak Max frequency	FAC1	FAC0	EQINH	WTC2	WTC1	WTC0	ATDIN high cycles/wait cycles	FMWT
48	64	0	1	0	0	1	1	1 / 3	13 <sub>H</sub>
32	48	0	0	0	0	1	0	0.5 / 2	02 <sub>H</sub>
24	40	0	0	0	0	1	0	0.5 / 2	12 <sub>H</sub>
24	32	0	0	1	0	0	1	0.5 / 1	09 <sub>H</sub>
16	24	0	0	0	0	0	1	0.5 / 1	01 <sub>H</sub>

Example for flash memory read access with 1 cycle for the high time of ATDIN and 3 wait cycles



The minimum value for  $t_{WATD}$  is 10 ns, the minimum value for  $t_{WEQ}$  is 20 ns.

The minimum value for  $t_{RC}$  is 40 ns.

The maximum value for  $t_{ACC}$  is  $t_{WATD} + t_{WEQ} + 5$  ns.



## c : Write access with CPU

Recommended settings for WTC2 to WTC0 for write access to the flash memory, FACCEN of FMCS should be set to 1 for writing, so FAC1, FAC0, EQINH register settings then have no meaning for the write operation

### Without applying clock modulation

CLKB unmodulated core clock frequency [MHz]	WTC2	WTC1	WTC0	Wait cycles	FMWT
64	setting not allowed for writing				
48	1	0	0	4	X4 <sub>H</sub>
40	1	0	0	4	X4 <sub>H</sub>
32	0	1	0	2	X2 <sub>H</sub>
24	0	1	0	2	X2 <sub>H</sub>
16	0	0	1	1	X1 <sub>H</sub>

### When applying clock modulation

CLKB core clock frequency [MHz]	Peak Max frequency	WTC2	WTC1	WTC0	Wait cycles	FMWT
48	64	setting not allowed for writing				
32	48	1	0	0	4	X4 <sub>H</sub>
24	40	1	0	0	4	X4 <sub>H</sub>
24	32	0	1	0	2	X2 <sub>H</sub>
16	24	0	1	0	2	X2 <sub>H</sub>

# MB91360G Series

## (6) Automatic Write/Erase

Irrespective of the Flash Memory mode or other modes, writing to/erasing the flash memory unit is performed by starting the flash memory automatic algorithm.

To start the automatic algorithm, various sequences of write accesses are executed in 1 to 6 cycles. They are called Flash commands.

### a : Flash Commands

There are four commands for starting the automatic algorithm of the Flash Memory unit; Read/Reset, Write, Chip Erase, and Sector Erase. There are also Erase Suspend and Erase Resume commands for the sector erase operation.

Next tables give the command sequence lists in the flash memory and other modes.

### b : Command sequence

Command Sequence List (CPU access)

Command Sequence	Write Cycle of Bus	Write Cycle of First Bus		Write Cycle of Second Bus		Write Cycle of Third Bus		Read/ Write Cycle of Fourth Bus		Write Cycle of Fifth Bus		Write Cycle of Sixth Bus	
		Ad- dress	Data	Ad- dress	Data	Ad- dress	Data	Ad- dress	Data	Ad- dress	Data	Ad- dress	Data
Read/Reset*	1	**xxxx	xxF0	—	—	—	—	—	—	—	—	—	—
Read/Reset*	4	**5554	xxAA	**aaa8	xx55	**5554	xxF0	RA	RD	—	—	—	—
Write	4	**5554	xxAA	**aaa8	xx55	**5554	xxA0	PA (even)	PD (half word)	—	—	—	—
Chip Erase	6	**5554	xxAA	**aaa8	xx55	**5554	xx80	**5554	xxAA	**aaa8	xx55	**5554	xx10
Sector Erase	6	**5554	xxAA	**aaa8	xx55	**5554	xx80	**5554	xxAA	**aaa8	xx55	SA (even)	xx30
Sector Erase Suspend	Input of address **xxxx or data (xxB0 <sub>H</sub> ) suspends sector erasing.												
Sector Erase Resume	Input of address **xxxx or data (xx30 <sub>H</sub> ) suspends and resumes sector erasing.												

Addresses in the table are the values in the CPU memory space. All addresses and data are hexadecimal values, where x is any value and \*\* may be 08 to 0F.

\* : Two Read/Reset commands reset Flash memory to the read mode.

**Command Sequence List (Flash Memory Mode)**

Command Sequence	Write Cycle of Bus	Write Cycle of First Bus		Write Cycle of Second Bus		Write Cycle of Third Bus		Read/ Write Cycle of Fourth Bus		Write Cycle of Fifth Bus		Write Cycle of Sixth Bus	
		Ad- dress	Data	Ad- dress	Data	Ad- dress	Data	Ad- dress	Data	Ad- dress	Data	Ad- dress	Data
Read/ Reset*	1	*xxxx	F0	—	—	—	—	—	—	—	—	—	—
Read/ Reset*	4	*aaaa	AA	*5554	55	*aaaa	F0	RA	RD	—	—	—	—
Write	4	*aaaa	AA	*5554	55	*aaaa	A0	PA (even)	PD (word)	—	—	—	—
Chip Erase	6	*aaaa	AA	*5554	55	*aaaa	80	*aaaa	AA	*5554	55	*aaaa	10
Sector Erase	6	*aaaa	AA	*5554	55	*aaaa	80	*aaaa	AA	*5554	55	SA (even)	30
Sector Erase Suspend	Input of address *xxxx or data (B0 <sub>H</sub> ) suspends sector erasing.												
Sector Erase Resume	Input of address *xxxx or data (30 <sub>H</sub> ) suspends and resumes sector erasing.												

Addresses in the table are values for writer addresses. All addresses and data are hexadecimal values, where x is any value and \* may be 0 to 7.

RA : Read address

PA : Write address. Only even addresses can be specified.

SA : Sector address (See next table) . Only even addresses can be specified.

RD : Read data

PD : Write data. Only word data can be specified.

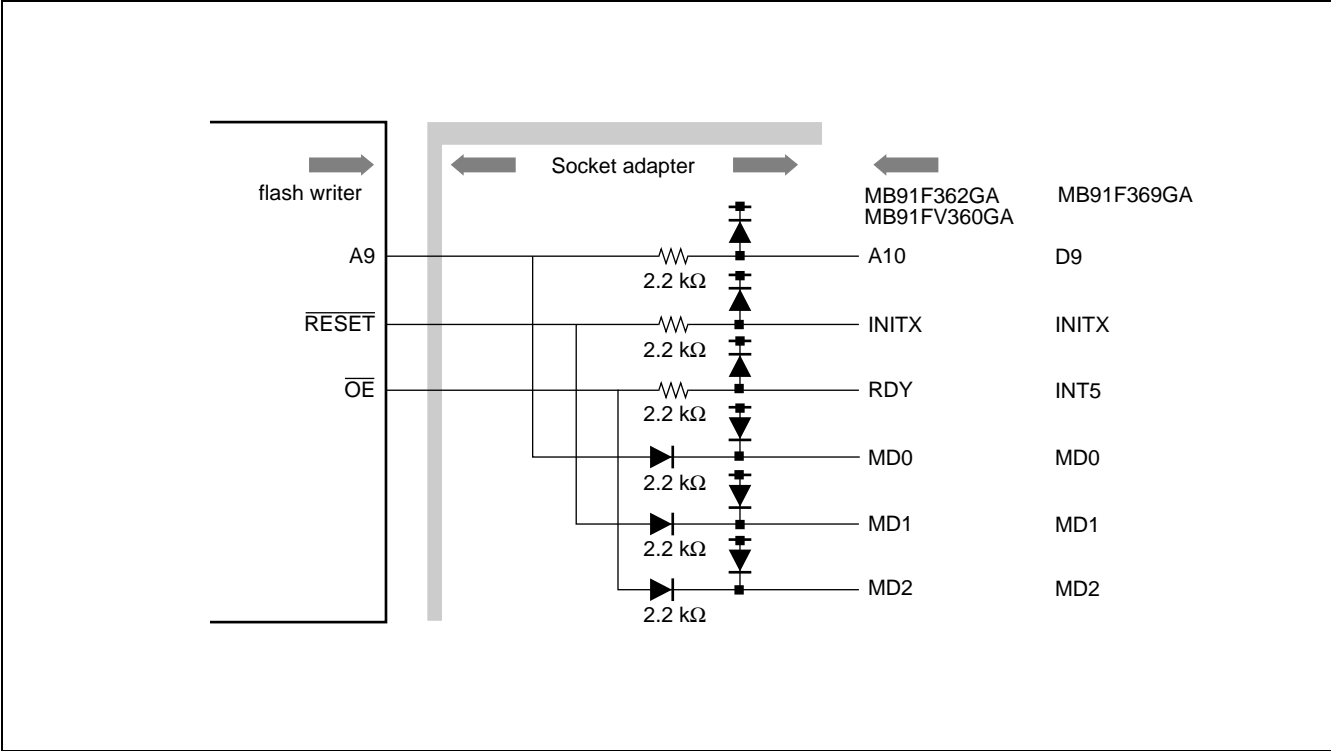
# MB91360G Series

Sector Address for half word mode

Sector	A18	A17	A16	A15	A14	A13	Address range
SA13	1	1	1	1	1	—	7C000 <sub>H</sub> to 7FFFF <sub>H</sub>
SA12	1	1	1	1	0	1	7A000 <sub>H</sub> to 7BFFF <sub>H</sub>
SA11	1	1	1	1	0	0	78000 <sub>H</sub> to 79FFF <sub>H</sub>
SA10	1	1	1	0	—	—	70000 <sub>H</sub> to 77FFF <sub>H</sub>
SA9	1	1	0	—	—	—	60000 <sub>H</sub> to 6FFFF <sub>H</sub>
SA8	1	0	1	—	—	—	50000 <sub>H</sub> to 5FFFF <sub>H</sub>
SA7	1	0	0	—	—	—	40000 <sub>H</sub> to 4FFFF <sub>H</sub>
SA6	0	1	1	1	1	—	3C000 <sub>H</sub> to 3FFFF <sub>H</sub>
SA5	0	1	1	1	0	1	3A000 <sub>H</sub> to 3BFFF <sub>H</sub>
SA4	0	1	1	1	0	0	38000 <sub>H</sub> to 39FFF <sub>H</sub>
SA3	0	1	1	0	—	—	30000 <sub>H</sub> to 37FFF <sub>H</sub>
SA2	0	1	0	—	—	—	20000 <sub>H</sub> to 2FFFF <sub>H</sub>
SA1	0	0	1	—	—	—	10000 <sub>H</sub> to 1FFFF <sub>H</sub>
SA0	0	0	0	—	—	—	00000 <sub>H</sub> to 0FFFF <sub>H</sub>

### (7) Connection to Flash Memory

The Flash Memory mode of the MB91360G series devices is intended mainly for external connection to a flash memory writer. As indicated in Table Flash Control Signals, there is a slight difference between the external pins of the MB91360G series devices and the MBM29LV400C (4 Mbit flash memory) . Connection to an MBM29LV400C writer requires the socket adapter.



## (8) Notes to Use of Flash Memory

Notes on the Flash Memory in MB91360G series devices are given below.

### a : Input of hardware reset (INITX)

To input a hardware reset when the automatic algorithm is not started, where reading is in progress, a minimum of 500 ns should be taken at a low-level width. In this case, a maximum of 500 ns is required until data can be read from the flash memory after a hardware reset has been activated.

Similarly, to input a hardware reset when the automatic algorithm is activated, where writing/erasing is in progress, a minimum of 50 ns should be taken in a low-level width. In this case, 20  $\mu$ s are required until data can be read after the executing operation has been terminated to initialize the flash memory.

A hardware reset during writing undefined data being written. A hardware reset during erasing may make the sector being erased unusable.

### b : Canceling software reset, watchdog timer reset, and hardware standby

When writing/erasing the flash memory with the CPU access and if reset conditions occur while the automatic algorithm is active, the CPU may run away. This occurs because these reset conditions cause the automatic algorithm to continue without initializing the flash memory unit, possibly preventing the flash memory unit from entering the read state when the CPU starts the sequence after the reset has been deasserted. These reset conditions should be inhibited during writing/erasing the Flash Memory.

### c : Program access to Flash Memory

When the automatic algorithm is operating, read access to the flash memory is disabled. With the memory access mode of the CPU set to the internal ROM mode, writing/erasing should be started after switching the program area to another area such as RAM.

In this case, when sectors containing interrupt vectors are erased, interrupt processing cannot be executed.

For the same reason, all interrupt sources should be disabled while the automatic algorithm is operating.

### d : Hold function

When the CPU accepts a hold request, the Write signal  $\overline{WE}$  of the flash memory unit may be skewed and many cause erroneous writing/erasing. When the acceptance of a hold request is enabled, ensure that the WE bit of the control status register (FMCS) is 0.

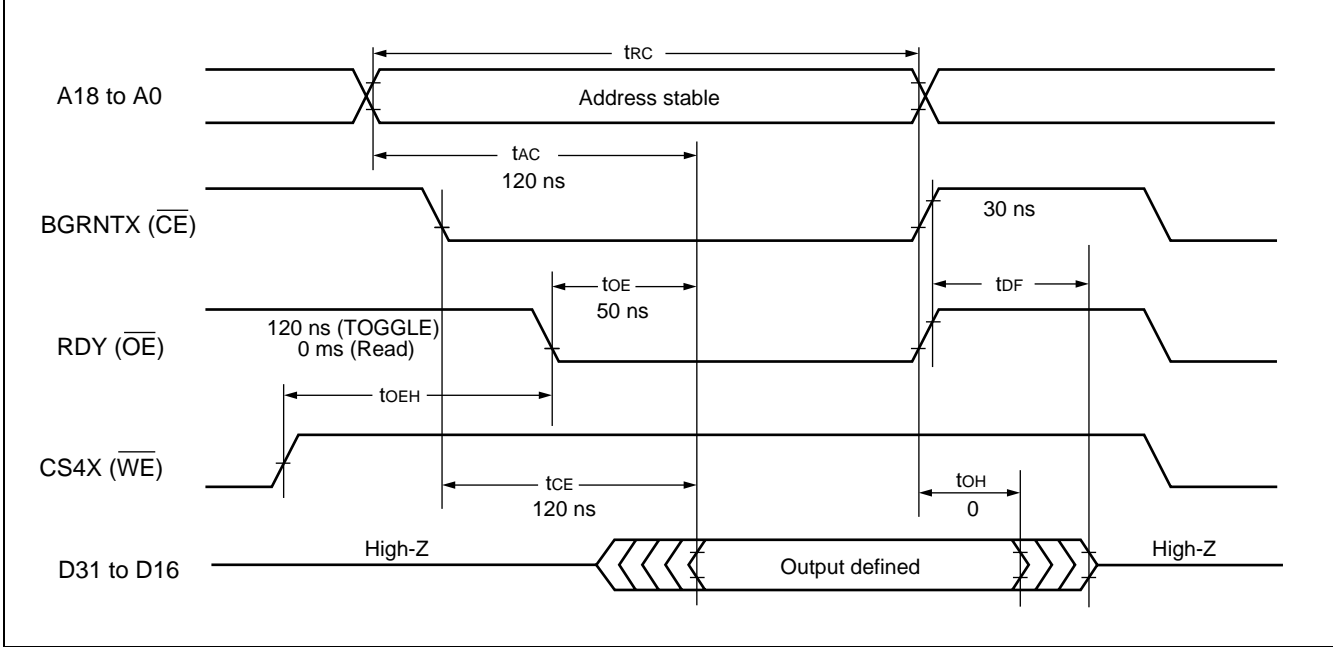
### e : Applying $V_{ID}$

Applying  $V_{ID}$  required for the sector protect operation should always be started and terminated when the supply voltage is on.

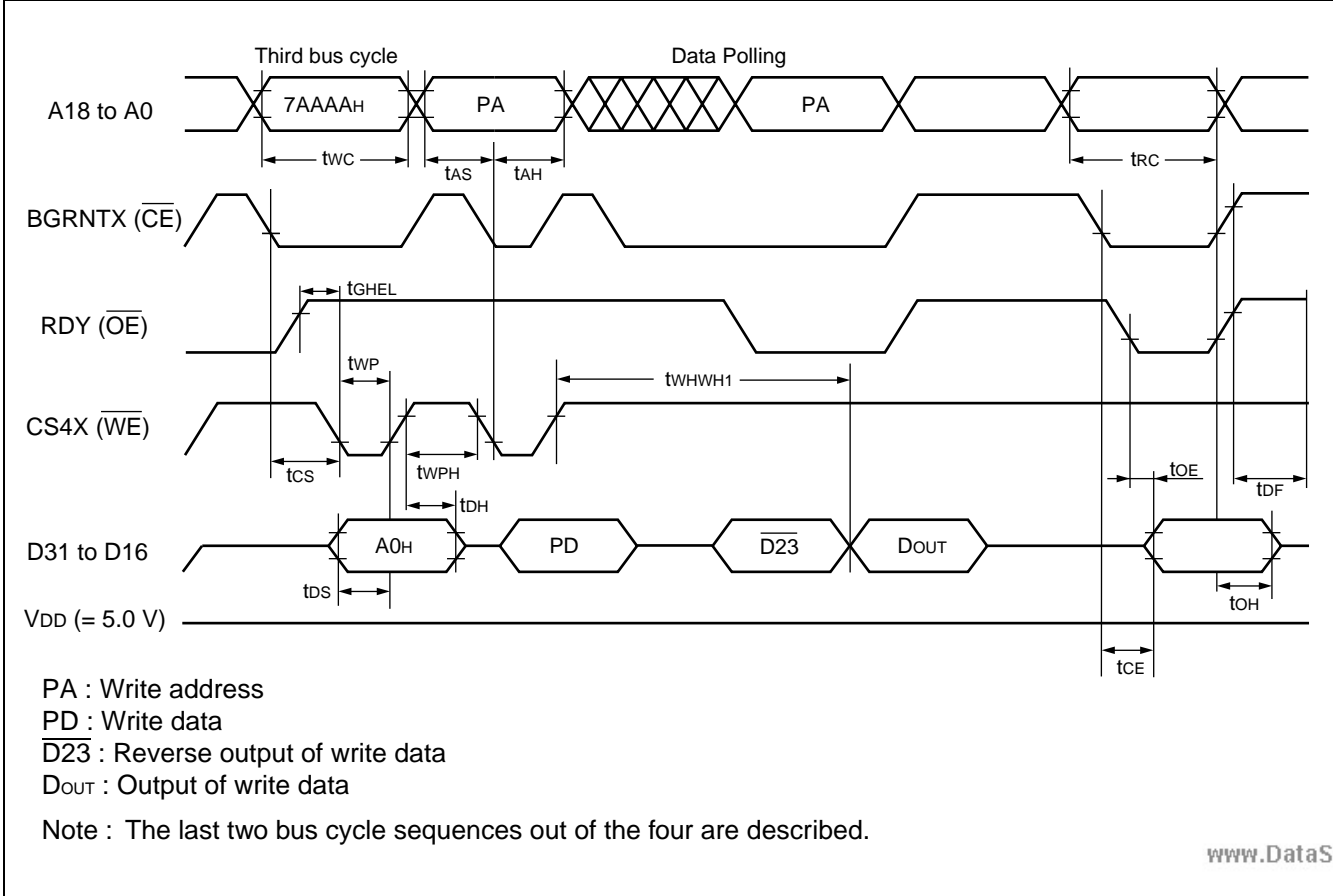
## (9) Timing Diagrams in Flash Mode

Each timing diagram for the external pins of the MB91360G series in the Flash Memory mode is shown below.

### a : Data read by read access

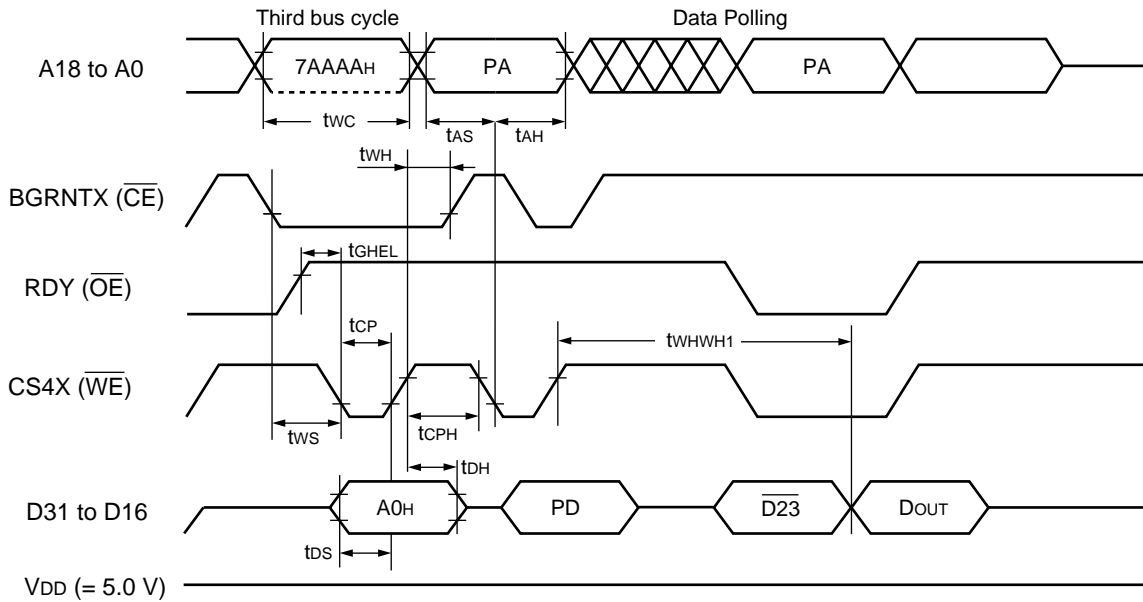


### b : Write Data polling Read ( $\overline{WE}$ control)



# MB91360G Series

## c : Write Data polling Read ( $\overline{CE}$ control)



PA : Write address

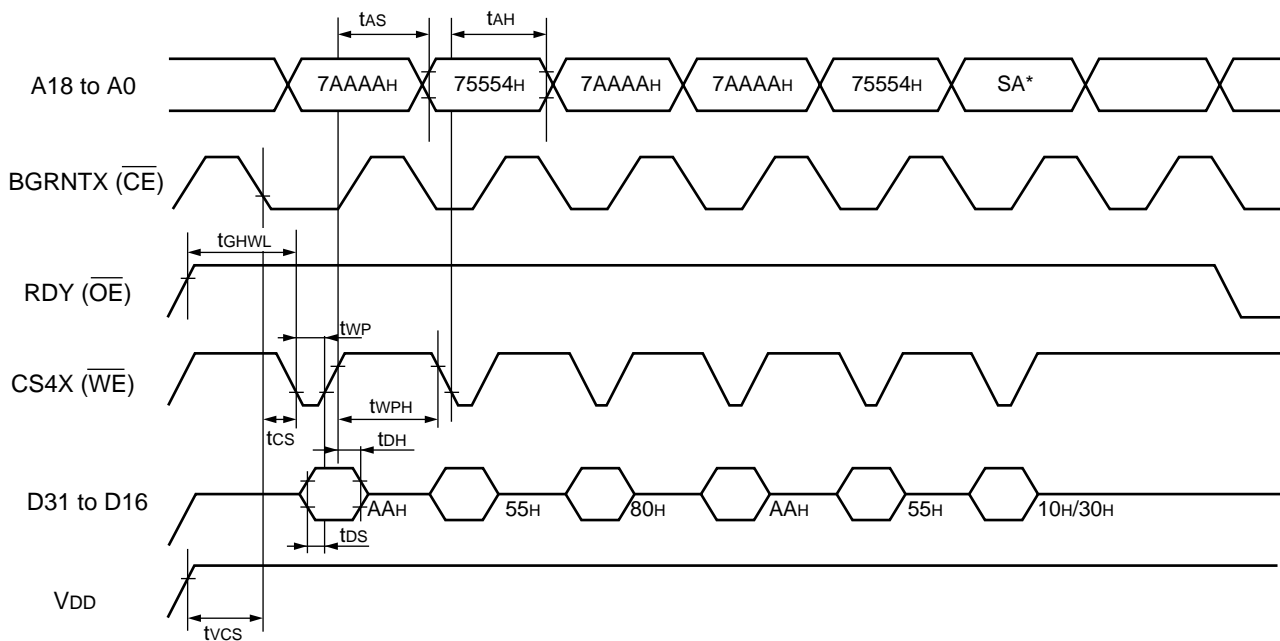
PD : Write data

$\overline{D23}$  : Reverse output of write data

DOUT : Output of write data

Note : The last two bus cycle sequences out of the four are described.

## d : Chip erase/sector erase command sequence

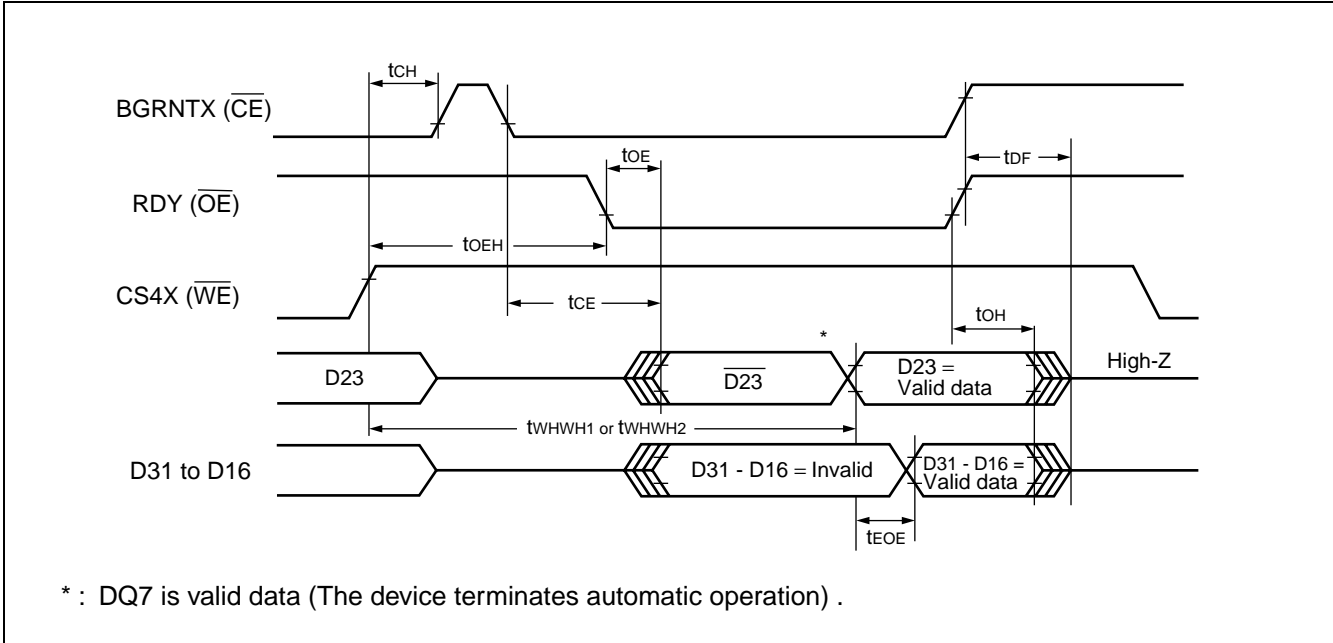


Note : SA is the sector address at sector erasing. 7AAAAH (or 6AAAAH) is the address at chip erasing.

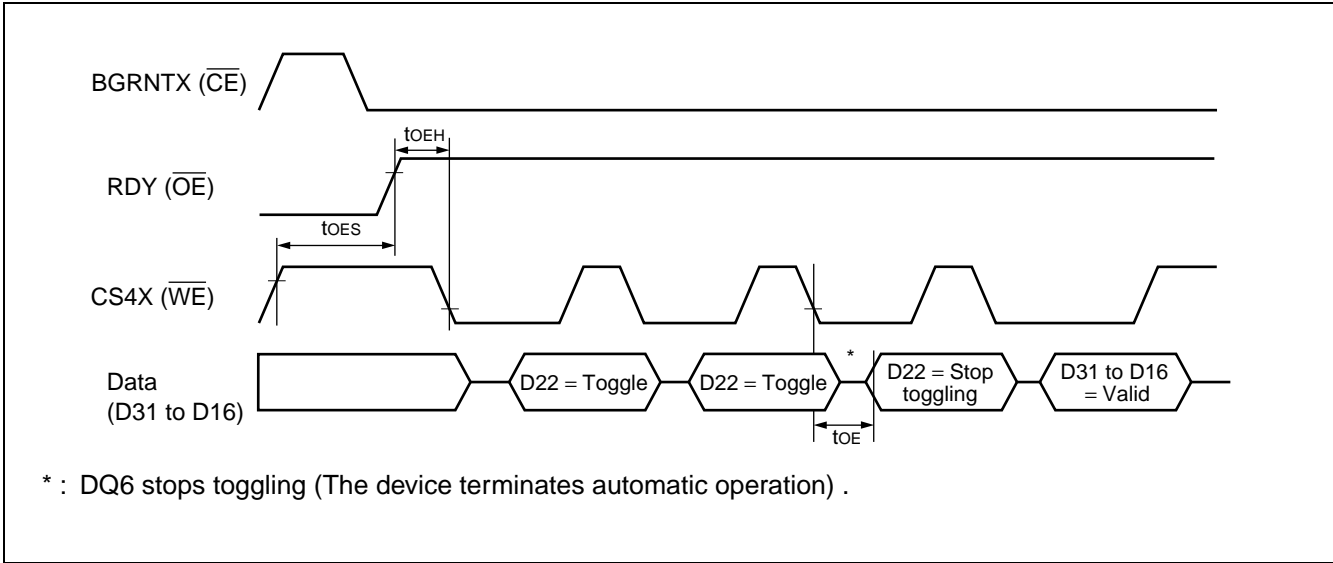
www.DataSheet4U.com



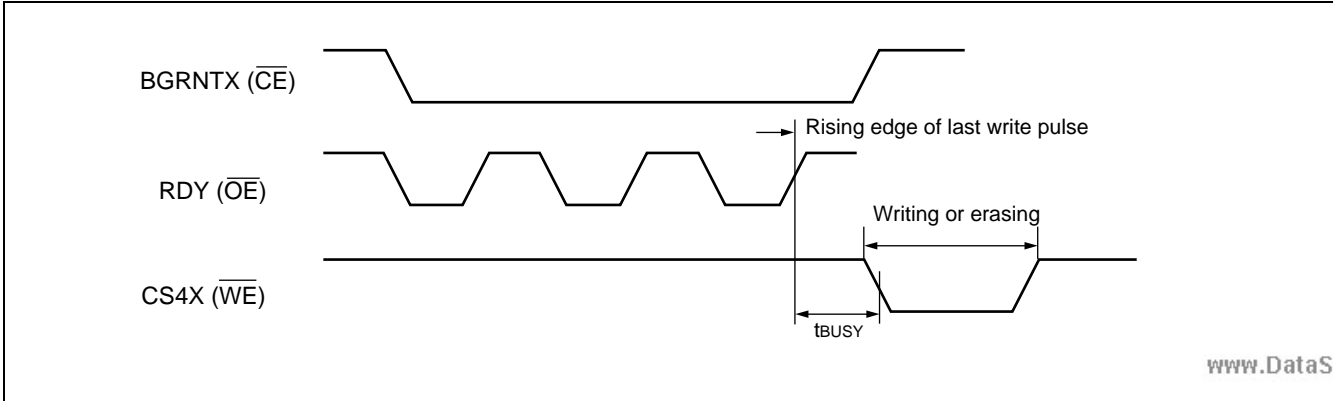
**e : Data polling**



**f : Toggle bit**

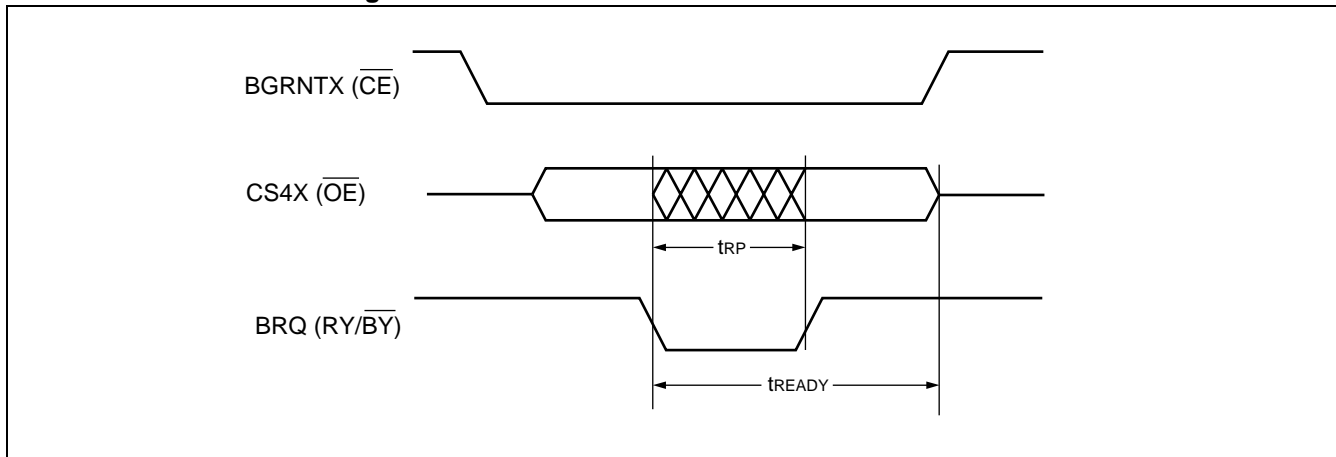


**g : RY/ $\overline{BY}$  timing during writing/erasing**

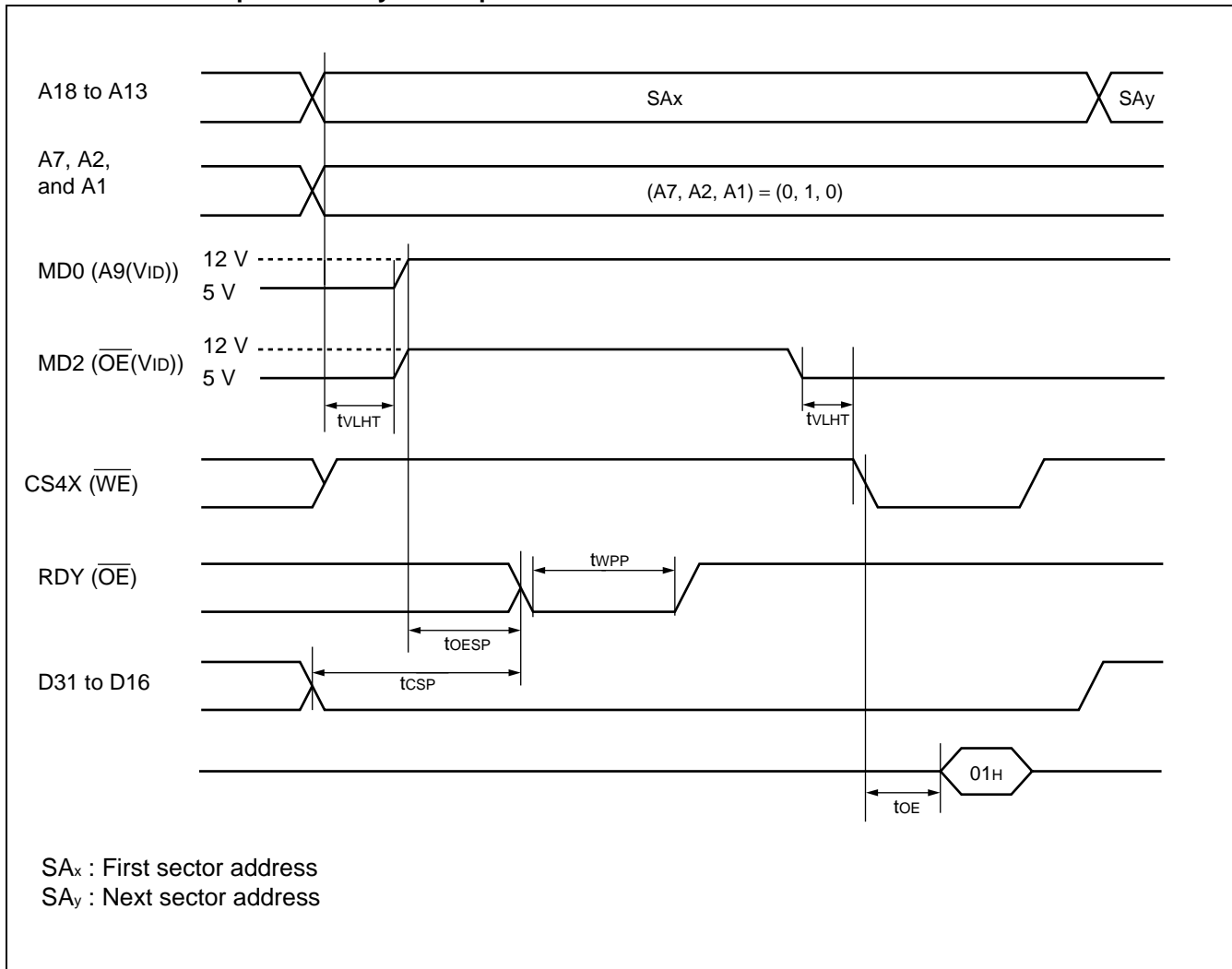


# MB91360G Series

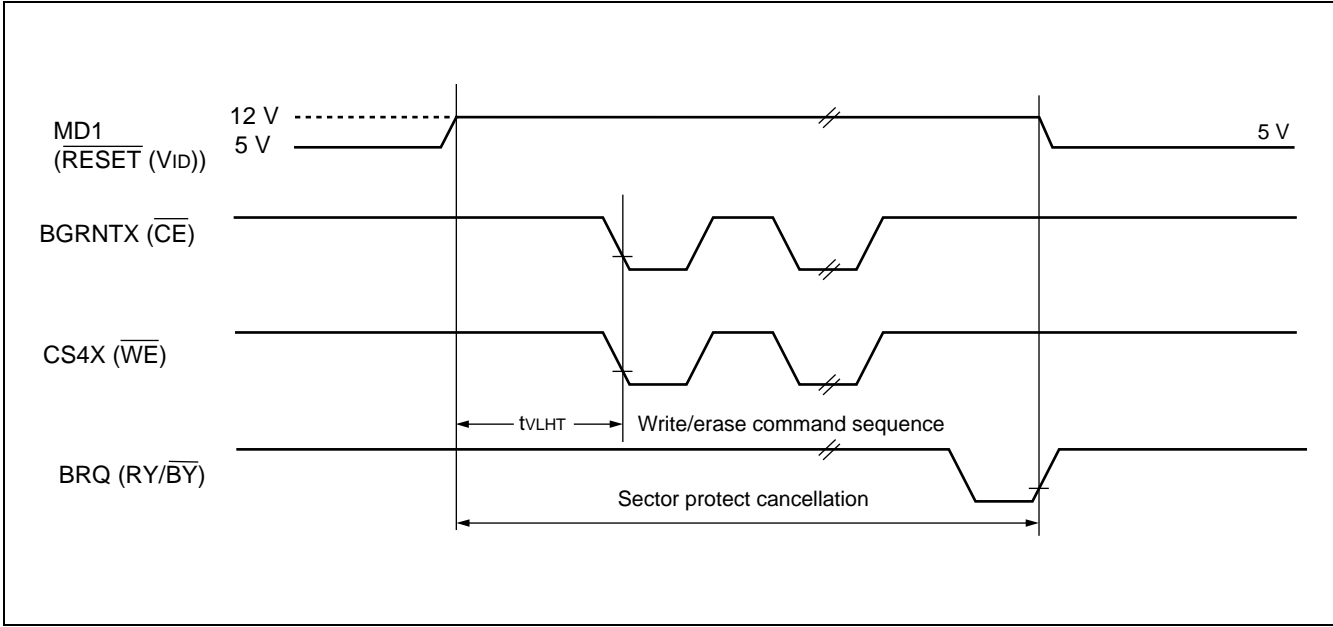
## h : INITX and RY/ $\overline{\text{BY}}$ timing



## i : Enable sector protect/verify sector protect



j : Temporary sector protect cancellation



# MB91360G Series

## (10) AC Characteristics in Flash Memory Mode

The AC specifications for the external pins of the MB91360G series in the Flash Memory mode are shown below. They apply to the case where the user performs read/write access in the Flash Memory mode. They are not needed for access in the normal mode and for use of a flash memory writer.

The values are subject to change without prior notice.

**a : Read access**

### AC Characteristics for Read Access

(Under recommended conditions)

Parameter	Symbol	Test Conditions	Value			Unit
			Min	Typ	Max	
Read cycle time	$t_{RC}$	—	120	—	—	ns
Address access time	$t_{ACC}$	$\overline{CE} = VIL$ $\overline{OE} = VIL$	—	—	120	ns
$\overline{CE}$ to data output	$t_{CE}$	$\overline{OE} = VIL$	—	—	120	ns
$\overline{OE}$ to data output	$t_{OE}$	—	—	—	50	ns
$\overline{CE}$ to output floating	$t_{DF}$	—	—	—	30	ns
$\overline{OE}$ to output floating	$t_{DF}$	—	—	—	30	ns
Previous cycle data output hold time	$t_{OH}$	—	0	—	—	ns
INITX pin to return to read mode	$t_{Ready}$	—	—	—	20	$\mu s$

Note : Sampled, not 100 % tested.

# MB91360G Series

b : Write [write/erase command] access ( $\overline{WE}$  control)

## AC Characteristics for Write Access ( $\overline{WE}$ Control)

(Under recommended conditions)

Parameter	Symbol	Value			Unit	
		Min	Typ	Max		
Write cycle time	$t_{WC}$	120	—	—	ns	
Address setup time	$t_{AS}$	0	—	—	ns	
Address hold time	$t_{AH}$	50	—	—	ns	
Data setup time	$t_{DS}$	50	—	—	ns	
Data hold time	$t_{DH}$	0	—	—	ns	
Output enable setup time	$t_{OES}$	0	—	—	ns	
Output enable hold time	Read Toggle and data polling	$t_{OEH}$	0	—	—	ns
			10	—	—	ns
Read recovery time before write	$t_{GHWL}$	0	—	—	ns	
$\overline{CE}$ setup time	$t_{CS}$	0	—	—	ns	
$\overline{CE}$ hold time	$t_{CH}$	0	—	—	ns	
Write pulse width	$t_{WP}$	50	—	—	ns	
Write pulse width High level	$t_{WPH}$	20	—	—	ns	
Write continuation time	$t_{WHWH1}$	—	8	—	$\mu$ s	
Sector erase continuation time*1	$t_{WHWH2}$	—	1	15	s	
V <sub>CC</sub> setup time	$t_{VCS}$	50	—	—	$\mu$ s	
Voltage transition time*2	$t_{VLHL}$	4	—	—	$\mu$ s	
Write pulse width*2	$t_{WPP}$	100	—	—	$\mu$ s	
OE setup time for validating $\overline{WE}$ *2	$t_{OESP}$	4	—	—	$\mu$ s	
CE setup time for validating $\overline{WE}$ *2	$t_{CSP}$	4	—	—	$\mu$ s	
$\overline{INIT}$ pulse width	$t_{RP}$	500	—	—	ns	
$\overline{RY}/\overline{BY}$ delay until write/erase is enabled	$t_{BUSY}$	50	—	—	ns	

\*1 : The internal preprogramming time before erasing is not included.

\*2 : Applies only to sector protection

Note : Sampled, not 100 % tested.

# MB91360G Series

c : Write [write/erase command] access ( $\overline{\text{CE}}$  control)

## AC Characteristics for Write Access ( $\overline{\text{CE}}$ Control)

(Under recommended conditions)

Parameter	Symbol	Value			Unit	
		Min	Typ	Max		
Write cycle time	t <sub>WC</sub>	120	—	—	ns	
Address setup time	t <sub>AS</sub>	0	—	—	ns	
Address hold time	t <sub>AH</sub>	50	—	—	ns	
Data setup time	t <sub>DS</sub>	50	—	—	ns	
Data hold time	t <sub>DH</sub>	0	—	—	ns	
Output enable setup time	t <sub>OES</sub>	0	—	—	ns	
Output enable hold time	Read	t <sub>OEH</sub>	0	—	—	ns
	Toggle and data polling		10	—	—	ns
Read recovery time before write	t <sub>GHWL</sub>	0	—	—	ns	
$\overline{\text{WE}}$ setup time	t <sub>WS</sub>	0	—	—	ns	
$\overline{\text{WE}}$ hold time	t <sub>WH</sub>	0	—	—	ns	
$\overline{\text{CE}}$ pulse width	t <sub>CP</sub>	50	—	—	ns	
$\overline{\text{CE}}$ pulse width High level	t <sub>CPH</sub>	20	—	—	ns	
Write continuation time	t <sub>WHWH1</sub>	—	16	—	μs	
Sector erase continuation time*	t <sub>WHWH2</sub>	—	1.5	30	s	
V <sub>CC</sub> setup time	t <sub>VCS</sub>	50	—	—	μs	
$\overline{\text{INIT}}$ pulse width	t <sub>RP</sub>	500	—	—	ns	
R <sub>Y</sub> / $\overline{\text{BY}}$ delay until write/erase is enabled	t <sub>BUSY</sub>	50	—	—	ns	

\* : The internal preprogramming time before erasing is not included.

Note : Sampled, not 100 % tested.

## ■ ELECTRICAL CHARACTERISTICS

### 1. Absolute Maximum Ratings

Parameter	Symbol	Rating		Unit	Condition
		Min	Max		
Digital supply voltage	$V_{DD}-V_{SS}$	-0.3	+6.0	V	
Stepper motor control supply voltage	$HV_{DD}-HV_{SS}$	-0.3	+6.5	V	
Storage temperature	Tstg	-55	+125	°C	
Power consumption	$P_{TOT}$	—	2500	mW	$T_A = +25^{\circ}\text{C}$
Digital input voltage	$V_{DIG}$	-0.3*1	+5.8	V	$V_{SS} = 0\text{ V}, V_{DD} = 5\text{ V}$
Analog input voltage	$V_{IA}$	-0.3	+5.8	V	$V_{SSA} = 0\text{ V}, V_{DDA} = 5\text{ V}$
Analog supply voltage	$V_{DDA}-V_{SSA}$	-0.3	+5.8	V	$V_{SSA} = 0\text{ V}$
Analog reference voltage	$V_{REFH/L}-V_{SSA}$	-0.3	+5.8	V	$V_{SSA} = 0\text{ V}$
Static DC current into digital I/O	$I_{I/ODC}$	-2.0	+2.0	mA	*2
Static total DC current into digital I/O	$\sum  I_{I/ODC} $	—	20	mA	*2

\*1 : Making full use of the allowed static DC current into digital I/O will lead to lower values for  $V_{DIG}$  Min.

\*2 : • Applicable to pins : D0 to D31, A0 to A20, CS0X to CS6X, RDY, BGRNTX, BRQ, RDX, WR0X to WR3X, AS, ALE, CLK, DREQ0, DACK0, DEOP0, INT0 to INT7, SGO, SGA, SDA, SCL, SOT0, SIN0, SCK0, OCPA0 to OCPA3, TX0, TX1, RX0, RX1, SOT3 to SOT4, SIN3 to SIN4, SCK3 to SCK4, LED0 to LED7 (MB91F362GA only) , IN0 to IN3 (MB91F362GA only) , OUT0 to OUT3 (MB91F362GA only) , OCPA4 to OCPA7 (MB91F362GA only) , SOT1 to SOT2 (MB91F362GA only) , SIH1 to SIH2 (MB91F362GA only) , SCK1 to SCK2 (MB91F362GA only) , PWM1P0 to PWM1P3 (MB91F362GA only) , PWM1M0 to PWM1M3 (MB91F362GA only) , PWM2P0 to PWM2P3 (MB91F362GA only) , PWM2M0 to PWM2M3 (MB91F362GA only)

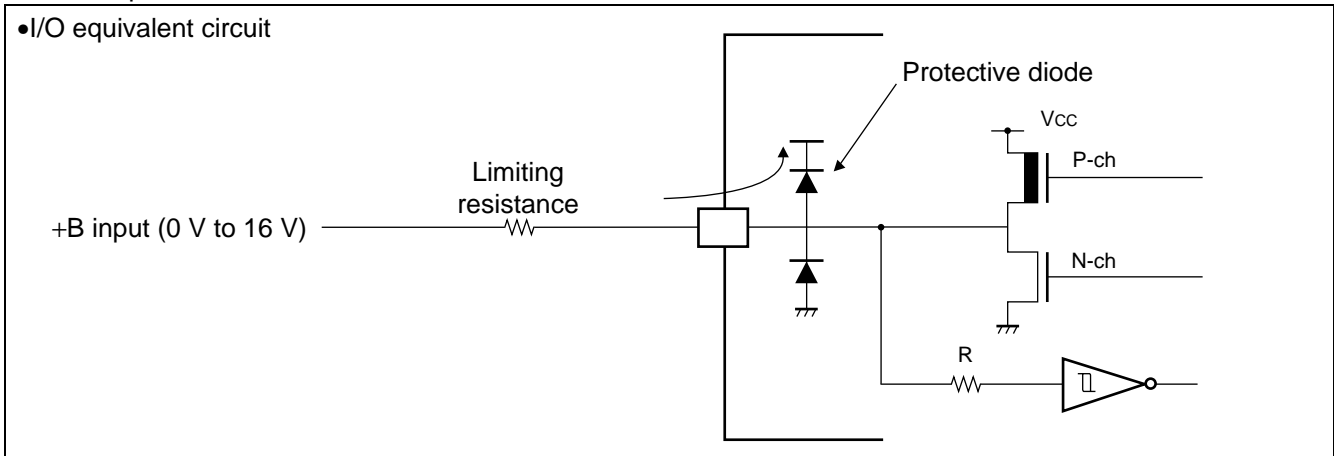
- Use within recommended operating conditions.
- Use at DC voltage (current).
- The +B signal should always be applied with a limiting resistance placed between the +B signal and the microcontroller.
- The value of the limiting resistance should be set so that when the +B signal is applied the input current to the microcontroller pin does not exceed rated values, either instantaneously or for prolonged periods.
- Note that when the microcontroller drive current is low, such as in the power saving modes, the +B input potential may pass through the protective diode and increase the potential at the VCC pin, and this may affect other devices.
- Note that if a +B signal is input when the microcontroller current is off (not fixed at 0 V) , the power supply is provided from the pins, so that incomplete operation may result.
- Note that if the +B input is applied during power-on, the power supply is provided from the pins and the resulting supply voltage may not be sufficient to operate the power-on reset.
- Care must be taken not to leave the +B input pin open.
- Note that analog system input/output pins other than the A/D input pins (LCD drive pins, comparator input pins, etc.) cannot accept +B signal input.

(Continued)

# MB91360G Series

(Continued)

- Sample recommended circuits



**WARNING:** Semiconductor devices can be permanently damaged by application of stress (voltage, current, temperature, etc.) in excess of absolute maximum ratings. Do not exceed these ratings.

## 2. Recommended Operating Conditions

Parameter	Symbol	Value			Unit	Condition	
		Min	Typ	Max			
Operating temperature	$T_A$	-40		+85	°C		
Supply voltage (Internal voltage regulator)	Digital supply	$V_{DD} - V_{SS}$	4.25*	5	5.25	V	$V_{DDCORE} = 3.3\text{ V}$
	Stepper motor control supply	$HV_{DD} - HV_{SS}$	4.75	5	5.25	V	$HV_{SS} = 0\text{ V}$
	Analog supply	$V_{DDA} - V_{SSA}$	4.9	5	5.1	V	$V_{SSA} = 0\text{ V}$
RAM data retention voltage	$V_{DD} - V_{SS}$	3.0	—	—	V		

\*: This is only valid if the integrated power-down reset circuit is switched-off, else a reset can be triggered at voltages less or equal than 4.5 V (see "23. POWER DOWN RESET").

**WARNING:** The recommended operating conditions are required in order to ensure the normal operation of the semiconductor device. All of the device's electrical characteristics are warranted when the device is operated within these ranges.

Always use semiconductor devices within their recommended operating condition ranges. Operation outside these ranges may adversely affect reliability and could result in device failure.

No warranty is made with respect to uses, operating conditions, or combinations not represented on the data sheet. Users considering application outside the listed conditions are advised to contact their FUJITSU representatives beforehand.



### 3. DC Characteristics

Parameter		Symbol	Value			Unit	Condition	
			Min	Typ	Max			
Current consumption	Run mode	$I_{srun}$	—	—	*1	mA	$T_A = 25\text{ }^\circ\text{C}$	
	RTC mode	$I_{sRTC}$	—	0.5	1.25	mA μA	$f_{clk} = 4\text{ MHz at } T_A = 25\text{ }^\circ\text{C}$ $f_{clk} = 32\text{ kHz at } T_A = 25\text{ }^\circ\text{C}$	
	Stop mode	$I_{sstop}$	—	10	200	μA	$f_{clk} = 0\text{ at } T_A = 25\text{ }^\circ\text{C}$	
Stepper motor control	H-port output voltage	$V_{OHH}$	$HV_{DD} - 500$	—	$HV_{DD} - 125$	mV	$I_{ol} = \pm 30\text{ mA, } T_C = 25\text{ }^\circ\text{C}$	
		$V_{OHL}$	$HV_{SS} + 125$	—	$HV_{SS} + 500$	mV	$I_{ol} = \pm 30\text{ mA, } T_C = 25\text{ }^\circ\text{C}$	
		$V_{OHH}$	$HV_{DD} - 500$	—	$HV_{DD} - 125$	mV	$I_{ol} = \pm 27\text{ mA, } T_C = 85\text{ }^\circ\text{C}$	
		$V_{OHL}$	$HV_{SS} + 125$	—	$HV_{SS} + 500$	mV	$I_{ol} = \pm 27\text{ mA, } T_C = 85\text{ }^\circ\text{C}$	
		$V_{OHH}$	$HV_{DD} - 500$	—	$HV_{DD} - 125$	mV	$I_{ol} = \pm 30\text{ mA, } T_C = -40\text{ }^\circ\text{C}$	
		$V_{OHL}$	$HV_{SS} + 125$	—	$HV_{SS} + 500$	mV	$I_{ol} = \pm 30\text{ mA, } T_C = -40\text{ }^\circ\text{C}$	
	SMC comparator threshold voltage	$V_{THcomp}$	$HV_{DD} / 9 - 70$	$HV_{DD} / 9$	$HV_{DD} / 9 + 70$	mV		
Slew rate	—	—	40	—	ns	$C_{load} = 0\text{ pF}$		
Alarm comparator	Threshold voltage	Over-voltage	$V_{TAH}$	$\frac{4}{5} V_{DDA} - 5\%$	$\frac{4}{5} V_{DDA}$	$\frac{4}{5} V_{DDA} + 5\%$	V	(external 4 : 1 divider)
		Under-voltage	$V_{TAL}$	$\frac{2}{5} V_{DDA} - 5\%$	$\frac{2}{5} V_{DDA}$	$\frac{2}{5} V_{DDA} + 5\%$	V	
	Switching hysteresis	$V_{TAHYS}$	12.5	25	50	mV		
	Alarm sense time	$t_{AS}$	—	—	10	μs		
	Input resistance	$R_{in}$	5	—	—	MΩ	at $V_{TAH}, V_{TAL}$	
Power down Reset	Threshold voltage	$V_{TPOR}$	3.5	4.0	4.5	V		
	Switching hysteresis	$V_{TPO-RHYS}$	20	50	80	mV		
	Reset sense time	$t_{RS}$	—	—	10	μs		
Digital outputs	Output "H" voltage	$V_{OH}$	$V_{DD} - 0.5$	—	$V_{DD}$	V	$I_{load} = 4\text{ mA}$	
	Output "L" voltage	$V_{OL}$	$V_{SS}$	—	$V_{SS} + 0.4$	V	$I_{load} = -4\text{ mA}$	

\*1 : See "4. Run Mode Current/Power Consumption".

(Continued)

# MB91360G Series

Parameter			Symbol	Value			Unit	Condition
				Min	Typ	Max		
Digital Inputs*2	CMOS (Type : Q, S, Y, T)	High voltage range	$V_{IH}$	$0.65 \times V_{DD}$	—	$V_{DD}$	V	
		Low voltage range	$V_{IL}$	$V_{SS}$	—	$0.25 \times V_{DD}$	V	
	CMOS Schmitt- Trigger (Types : E, F, U)	High voltage range	$V_{IH}$	$0.8 \times V_{DD}$	—	$V_{DD}$	V	
		Low voltage range	$V_{IL}$	$V_{SS}$	—	$0.2 \times V_{DD}$	V	
	CMOS Automotive Schmitt- Trigger (Types : A, B, K1, M1, J)	High voltage range	$V_{IH}$	$0.8 \times V_{DD}$	—	$V_{DD}$	V	
		Low voltage range	$V_{IL}$	$V_{SS}$	—	$0.5 \times V_{DD}$	V	
		hysteresis voltage	—	—	0.5	—	V	
	CMOS 3/5 V (Type : L, N, O)	High voltage range	$V_{IH}$	$0.65 \times V_{DD}$	—	$V_{DD}$	V	
		Low voltage range	$V_{IL}$	$V_{SS}$	—	$0.25 \times V_{DD}$	V	
	CMOS 3 V (Type : P, W)	High voltage range	$V_{IH}$	$0.65 \times V_{DD}$	—	$V_{DD}$	V	
		Low voltage range	$V_{IL}$	$V_{SS}$	—	$0.25 \times V_{DD}$	V	
		Input capaci- tance	$C_{IN}$	—	—	16	pF	
		Input leakage current	$I_{IL}$	-1	—	+1	$\mu A$	$T_A = 25\text{ }^\circ C$
		Pull up resistor	$R_{up1}$ $R_{up2}$	—	50 10	—	k $\Omega$ k $\Omega$	Types : E, U Type : S

(Continued)

\*2 : valid for bidirectional tristate I/O PAD cell

# MB91360G Series

(Continued)

Parameter	Symbol	Value			Unit	Condition	
		Min	Typ	Max			
ADC inputs	Reference voltage input	$V_{REFH}$ $V_{REFL}$	$V_{REFL} + 3$ $V_{SSA}$	—	$V_{DDA}$ $V_{REFH} - 3$	V V	
	Input voltage range	$V_{imax}$ $V_{imin}$	$V_{REFL}$ —	—	$V_{REFH}$ —	V V	
	Input resistance	$R_I$	—	—	3.6	k $\Omega$	
	Input capacitance	$C_I$	—	—	30	pF	
	Input leakage current	$I_{IL}$	-5	—	5	$\mu$ A	
	Impedance of external output driving the ADC input	—	—	—	4.0	k $\Omega$	at sampling time of 1.6 $\mu$ s
DAC analog outputs	Output voltage	$V_{out}$	$V_{SSA}$	—	$V_{DDA}$	V	
	Output impedance	$R_{out}$	—	2.9	—	k $\Omega$	external voltage follower required
	Output capacitance	$C_{out}$	—	—	20	pF	
Sound generator	Output voltage	$V_{outHIGH}$ $V_{outLOW}$	$V_{DD} - 0.5$ $V_{SS}$	—	$V_{DD}$ $V_{SS} + 0.4$	V V	
	Output current	$I_{out}$	4	—	—	mA	
PPG	Output voltage	$V_{outHIGH}$ $V_{outLOW}$	$V_{DD} - 0.5$ $V_{SS}$	—	$V_{DD}$ $V_{SS} + 0.4$	V V	
	Output current	$I_{out}$	4	—	—	mA	
LED	Output voltage	$V_{outHIGH}$ $V_{outLOW}$	$V_{DD} - 0.8$ —	—	— $V_{SS} + 0.8$	V V	$I_{outHIGH} = 14$ mA $I_{outLOW} = 24$ mA
I <sup>2</sup> C Bus Interface (Open Drain Output)	Output voltage	$V_{outHIGH}$ $V_{outLOW}$	— $V_{SS}$	—	$V_{DD}$ $V_{SS} + 0.4$	V V	open drain output
	Output current	$I_{out}$	3	—	—	mA	$I_{outLOW} = 3$ mA
Lock-up time PLL1 (4 MHz → 16 MHz to 64 MHz)	—	—	0.1	1	ms		
ESD Protection (Human body model MIL883-B compliant)	$V_{surge}$	2	—	—	kV	$R_{discharge} = 1.5$ k $\Omega$ $C_{discharge} = 100$ pF	

# MB91360G Series

## 4. Run Mode Current/Power Consumption

The power dissipation during normal operation is determined by the total power dissipation of the internal logic  $P_C$ , the dissipation from analog modules  $P_A$  and the power dissipation  $P_{IO}$  of the I/O buffers. Among the I/O buffers the dissipation caused by the stepper motor drivers  $P_{SMC}$  should be taken into special consideration.

So the overall power consumption  $P_D$  will be calculated as a sum of  $P_C + P_A + P_{SMC} + P_{IO}$ .

### (1) Logic Power Consumption

The following formula can be used to calculate the maximum core current consumption when the PLL is used depending on the frequency settings for the internal clocks :

$$I_{CC} = 3.45 \text{ [mA/MHz]} \times CLKB \text{ [MHz]} + 2.52 \text{ [mA/MHz]} \times CLKP \text{ [MHz]} + 0.72 \text{ [mA/MHz]} \times CLKT \text{ [MHz]} + 35.5 \text{ mA.}$$

If clock modulation is used the following value must be added to this result :  $0.24 \text{ [mA/MHz]} \times CLKB \text{ [MHz]}$ .

This results in the following values (higher clock settings are not allowed) :

Clock frequencies [MHz]			Maximum Core Current Consumption [mA]	Logic Power Consumption $P_C$ at 5.25 V [mW]	Remarks
CLKB	CLKP	CLKT			
64	16	16	308	1.70	no clock modulation possible
48	24	24	290	1.52	
48	16	16	264	1.40	
32	32	32	257	1.35	
32	16	16	205	1.08	
24	24	24	202	1.06	
24	12	12	163	0.86	
16	16	16	146	0.77	
2	2	2	40	0.21	no PLL, no clock modulation
0.125	0.125	0.125	30	0.16	no PLL, no clock modulation

In addition to this power consumption of the MCU core logic the following contributions to the overall power consumption have to be considered :

### (2) Analog Power Consumption

Module	Typical Current Consumption	Maximum Current Consumption	Remarks
DAC		1 mA / channel	current at AVCC
ADC	3 mA	7 mA	current at AVCC
	1.6 mA	2.6 mA	current at AVRH
Power down reset	0.26 mA	0.5 mA	current at Vdd
Alarm Comparator	0.31 mA	0.5 mA	current at AVCC
Zero point detection	0.13 mA	0.25 mA	current at AVCC

To calculate the analog power consumption  $P_A$ , the current contributions of the active modules have to be multiplied by the maximum analog supply voltage of 5.1 V-or by the maximum digital supply voltage as in case of the Power down reset.

### (3) I/O and SMC Power Consumption

SMC drivers :

The average current consumption per SMC channel is 38.2 mA, for four channels this results in 152.8 mA. At  $2 \times 0.5 \text{ V}$  this results in 153 mW power consumption  $P_{\text{SMC}}$  for four channels of stepper motor drivers.

Other I/O Buffers :

The power dissipation ( $P_{\text{IO}}$ ) (at 5.25 V) of the I/O buffers is represented as the sum of the dynamic power dissipation ( $P_{\text{AC}}$ ) and the static power consumption ( $P_{\text{DC}}$ ) .

$$P_{\text{IO}} = P_{\text{AC}} \times 1.1 + P_{\text{DC}}$$

The following table lists values for the calculation of  $P_{\text{AC5V}}$  and  $P_{\text{AC3V}}$  :

Buffer Type	Power Consumption $P_{\text{IB}}/P_{\text{OB}}$ @ 5V to calculate $P_{\text{AC5V}}$	Power Consumption $P_{\text{IB}}/P_{\text{OB}}$ @ 3.3V to calculate $P_{\text{AC3V}}$	Unit
Normal Input	12.4	12.4	$\mu\text{W}/\text{MHz}$ ( $C_L$ in pF)
Bidirectional Input			
4 mA Bidirectional Output	$194 + 25 C_L$	$85.5 + 11 C_L$	
4 mA Output			
8 mA Bidirectional Output	$353 + 25 C_L$	$154 + 11 C_L$	
8 mA Output			

$$P_{\text{AC}} = P_{\text{IB}} \times I_n \times f \times \text{operating rate} + P_{\text{OB}} \times O_n \times f \times \text{operating rate}$$

- $P_{\text{IB}}$  : Power Consumption of Input Buffers and Bidirectional Inputs
- $P_{\text{OB}}$  : Power Consumption of Output Buffers and Bidirectional Outputs
- $I_n$  : Total number of input buffers and bidirectional buffer inputs
- $O_n$  : Total number of output buffers and bidirectional buffer outputs
- $f$  : System frequency
- Operating rate : 1.0 if all buffers are switched simultaneously at system frequency

$P_{\text{DC}}$  is the caused by off chip loads which are drawing static currents.

$$P_{\text{DC}} = V_O \times I_O \times DC_N$$

- $V_O$  : Output voltage drop - usually 0.4 V
- $I_O$  : Output current - usually 4 mA
- $DC_N$  : Number of output buffers and bidirectional buffers driving off chip loads causing static currents.

# MB91360G Series

## 5. Clock Settings

Clock domain	Clock name	Max frequency setting	Remark
Core	CLKB	64 MHz	under normal operating conditions
		32 MHz	for supply voltage between 4.25 and 3.5 V
Resource bus	CLKP	32 MHz	
Ext. Bus	CLKT	32 MHz	
Clock for CAN	CANCLK	32 MHz	

Note : **F362GA** : If the maximum frequency of 64 MHz is set for CLKB and an odd division factor for CLKT (3, 5, 7, 9, 11, 13, 15) has been selected, then the option to create an asymmetrical CLKT must be used (set bit 14 of the F362MD register to "1") .

## 6. Converter Characteristics

- A/D Converter

Parameter	Symbol	Value			Unit	Remark
		Min	Typ	Max		
Resolution	—	—	—	10	Bit	
Conversion error	—	—	—	±5.0	LSB	overall error
Non-linearity	—	—	—	±2.5	LSB	
Differential Non-linearity	—	—	—	±1.9	LSB	
Zero Reading voltage	$V_{0T}$	AVRL - 3.5	AVRL + 0.5	AVRL + 4.5	LSB	
Full scale reading voltage	$V_{FST}$	AVRH - 5.5	AVRH - 1.5	AVRH + 2.5	LSB	
Input current	$I_{A@V_{DDA}}$	—	3.0	7.0	mA	
Reference voltage current	IR	—	1.6	2.6	mA	
Conversion time	—	178 cycles CLKP	—	1 ms		
Ripple of supply voltage	—	—	—	±5.0	mV	

- D/A Converter

Parameter	Symbol	Value			Unit	Remark
		Min	Typ	Max		
Resolution	—	—	—	10	Bit	
Differential linearity error	—	-0.9	—	+0.9	LSB	

## 7. A/D Converter Glossary

- **Resolution**

The smallest change in analog voltage detected by A/D converter.

- **Linearity error**

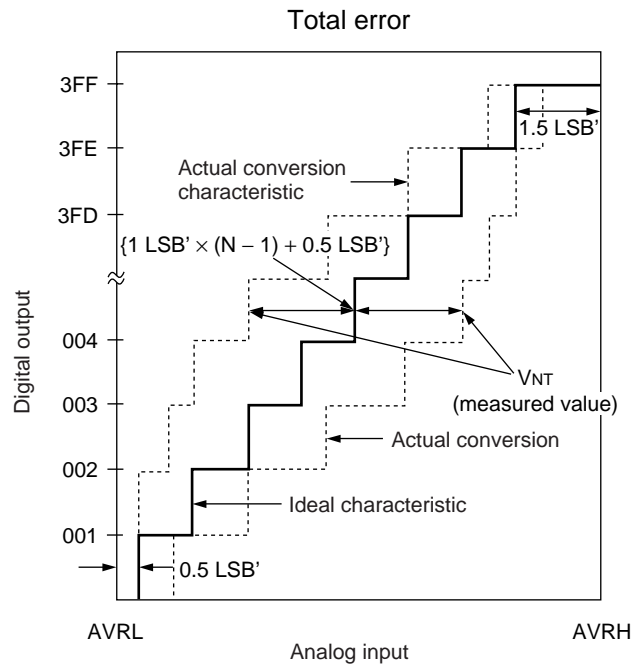
A deviation of actual conversion characteristic from a line connecting the zero-transition point (between “00 0000 0000” ↔ “00 0000 0001”) to the full-scale transition point (between “11 1111 1110” ↔ “11 1111 1111”) .

- **Differential linearity error**

A deviation of a step voltage for changing the LSB of output code from ideal input voltage.

- **Total error**

A difference between actual value and theoretical value. The overall error includes zero-transition error, full-scale transition error and linearity error.



$$\text{Total error of digital output } N = \frac{V_{NT} - \{1 \text{ LSB}' \times (N - 1) + 0.5 \text{ LSB}'\}}{1 \text{ LSB}'} \text{ [LSB]}$$

$$V_{OT}' \text{ (Ideal value)} = AVRL + 0.5 \text{ LSB}' \text{ [V]}$$

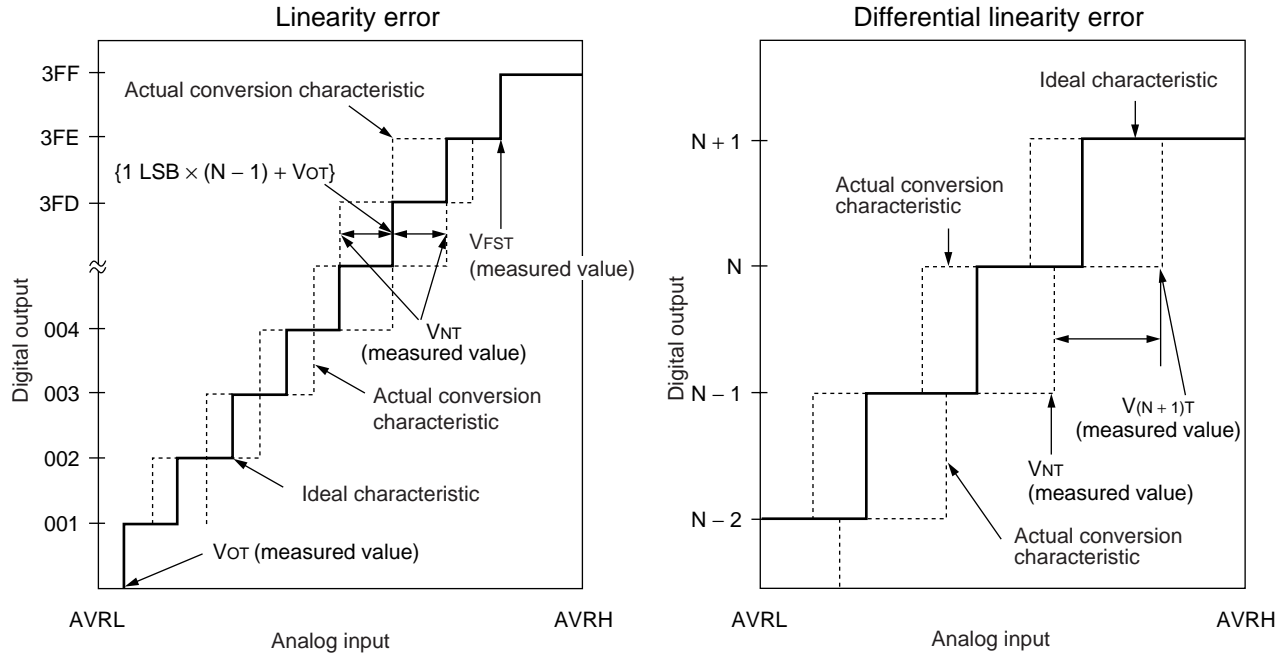
$$V_{FST}' \text{ (Ideal value)} = AVRH - 1.5 \text{ LSB}' \text{ [V]}$$

$V_{NT}$  : A voltage for causing transition of digital output from (N - 1) to N

(Continued)



(Continued)



$$\text{Linearity error of digital output } N = \frac{V_{NT} - \{1 \text{ LSB} \times (N - 1) + V_{OT}\}}{1 \text{ LSB}} \text{ [LSB]}$$

$$\text{Differential linearity error of digital output } N = \frac{V_{(N+1)T} - V_{NT}}{1 \text{ LSB}'} - 1 \text{ [LSB]}$$

$$1 \text{ LSB} = \frac{V_{FST} - V_{OT}}{1022} \text{ [V]}$$

$$1 \text{ LSB}' (\text{ideal value}) = \frac{AVRH - AVRL}{1023} \text{ [V]}$$

$V_{OT}$  : A voltage for causing transition of digital output from (000)<sub>H</sub> to (001)<sub>H</sub>

$V_{FST}$  : A voltage for causing transition of digital output from (3FE)<sub>H</sub> to (3FF)<sub>H</sub>

$V_{NT}$  : A voltage for causing transition of digital output from (N - 1)<sub>H</sub> to N

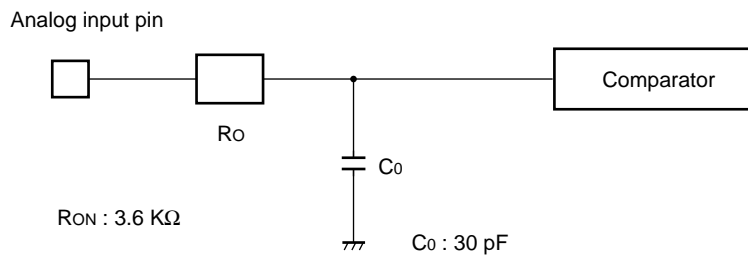
## 8. Notes on Using A/D Converter

Output impedance of external circuit of analog input under following conditions;

Output impedance of external circuit  $< 4 \text{ k}\Omega$

If output impedance of external circuit is too high, analog voltage sampling time may be too short for accurate sampling.

### • Analog input Equivalent Circuit

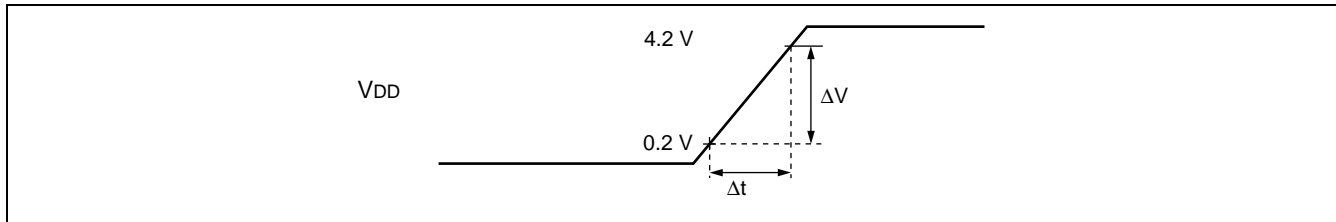


### • Error

As the absolute value of AVRH decreases, relative error increases.

## 9. The Time for Power Supply

Parameter	Symbol	Value			Unit
		Min	Typ	Max	
Power supply raising slope	$\Delta V/\Delta t$	—	—	0.05	V/ $\mu$ s
Power supply raising slope	$t_R$	80	—	—	$\mu$ s



## 10. Flash Memory

### • Erase and programming performance

Parameter	Condition	Value			Unit	Remarks
		Min	Typ	Max		
Sector erase time	$T_A = +25\text{ }^\circ\text{C}$ , $V_{DD} = 5.0\text{ V}$	—	1	15*	s	Excludes 00H programming prior erasure
Chip erase time		—	14	—	s	Excludes 00H programming prior erasure
Half word (16-bit) programming time		—	16	3,600*	$\mu$ s	Excludes system-level overhead
Erase/Program cycle	—	10,000	—	—	cycle	
Data retention time	—	100 K	—	—	h	

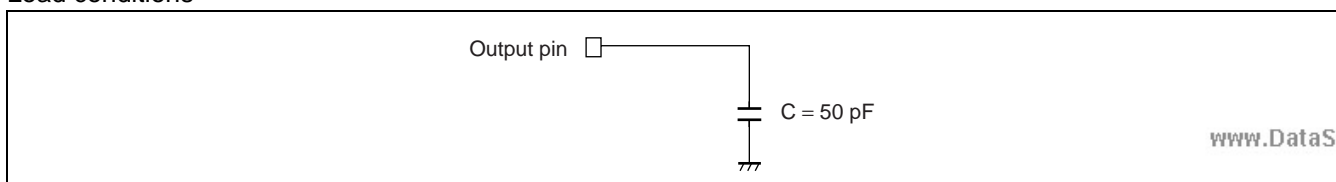
\* :  $T_A = +85\text{ }^\circ\text{C}$ ,  $V_{DD} = 5.0\text{ V}$

## 11. AC Characteristics

### • Measurement conditions

Parameter	Symbol	Value	Unit	Conditions
"H" level input voltage	$V_{IH}$	according to I/O spec	V	$V_{DD} = 4.25\text{ to }5.25\text{ V}$ , $T_A = -40\text{ to }+85\text{ }^\circ\text{C}$
"L" level input voltage	$V_{IL}$		V	
"H" level output voltage	$V_{OH}$	$0.5 \times V_{DD}$	V	
"L" level output voltage	$V_{OL}$	$0.5 \times V_{DD}$	V	
"H" level input voltage	$V_{IH}$	3.0	V	
"L" level input voltage	$V_{IL}$	0	V	
"H" level output voltage	$V_{OH}$	$0.5 \times V_{DD}$	V	
"L" level output voltage	$V_{OL}$	$0.5 \times V_{DD}$	V	

Load conditions



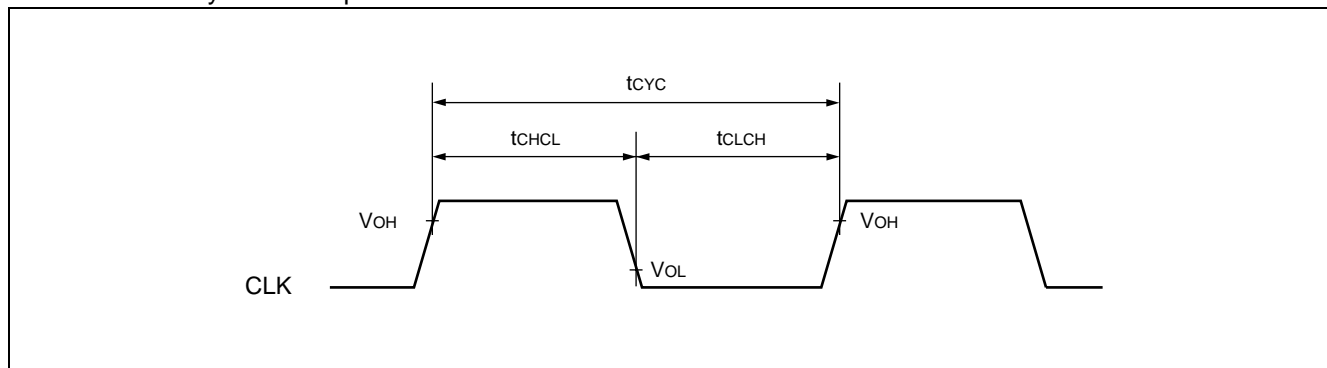
# MB91360G Series

• External bus clock

( $V_{DD} = 4.25\text{ V to }5.25\text{ V}$ ,  $T_A = -40\text{ }^{\circ}\text{C to }+85\text{ }^{\circ}\text{C}$ )

Signal	Symbol	Pin name	Value		Unit
			Min	Max	
CLK cycle	$t_{CYC}$	CLK	$t_{CPT}$	—	ns
CLK rise → CLK fall	$t_{CHCL}$	CLK	$t_{CYC} / 2 - 10$	$t_{CYC} / 2 + 10$	ns
CLK fall → CLK rise	$t_{CLCH}$	CLK	$t_{CYC} / 2 - 10$	$t_{CYC} / 2 + 10$	ns

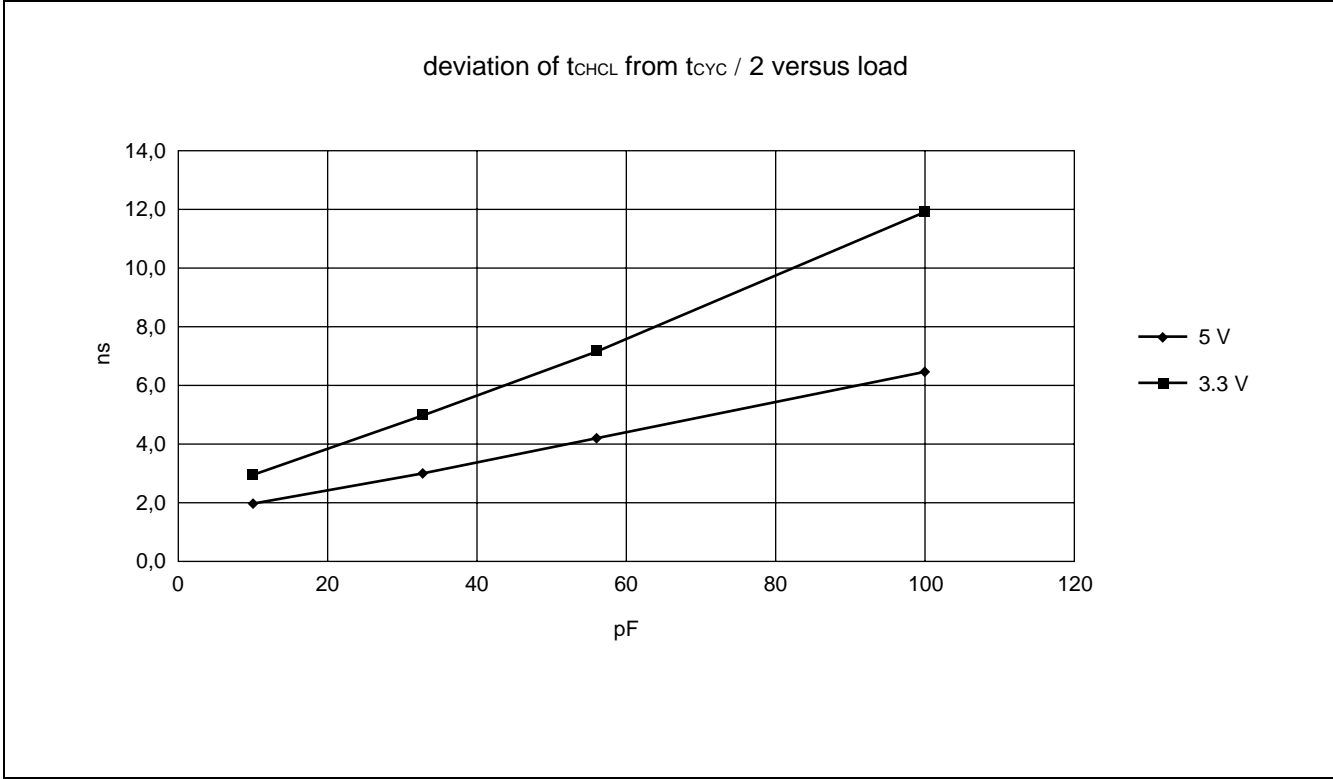
Note : This is only valid for operation without clock modulator



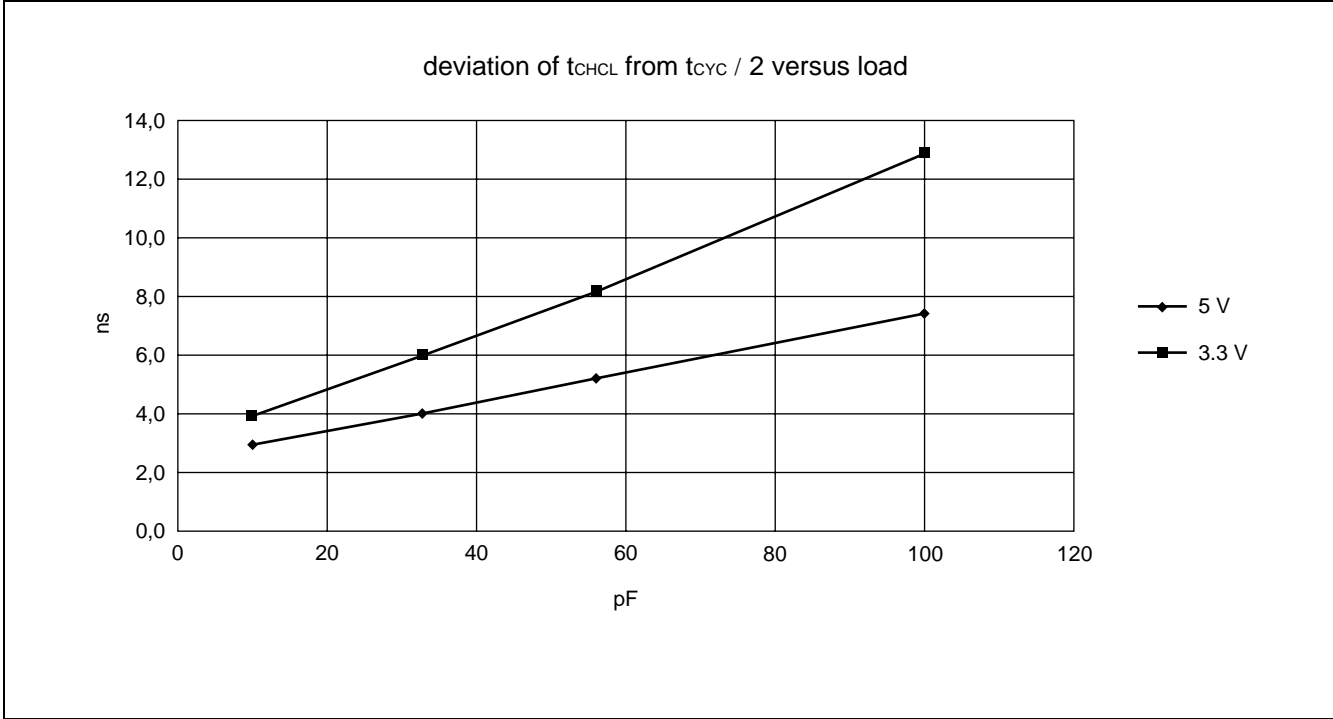
The values for  $t_{CHCL}$  and  $t_{CLCH}$  are heavily dependent on the load connected to the CLK pin. The following diagrams show this dependency for the worst case situation. The first diagram shows the situation for even division ratios between CLKB and CLKT, the second diagram shows this for odd division ratios between CLKB and CLKT (ASYMCLKT bit is not set) .

It has to note that when the combination of CLK frequency and load at CLK pin is such that rise or fall times are longer than  $t_{CYC} / 2$  the duty ratio can get worse.

### Even CLKB/CLKT division ratios :



### Odd CLKB/CLKT division ratios :

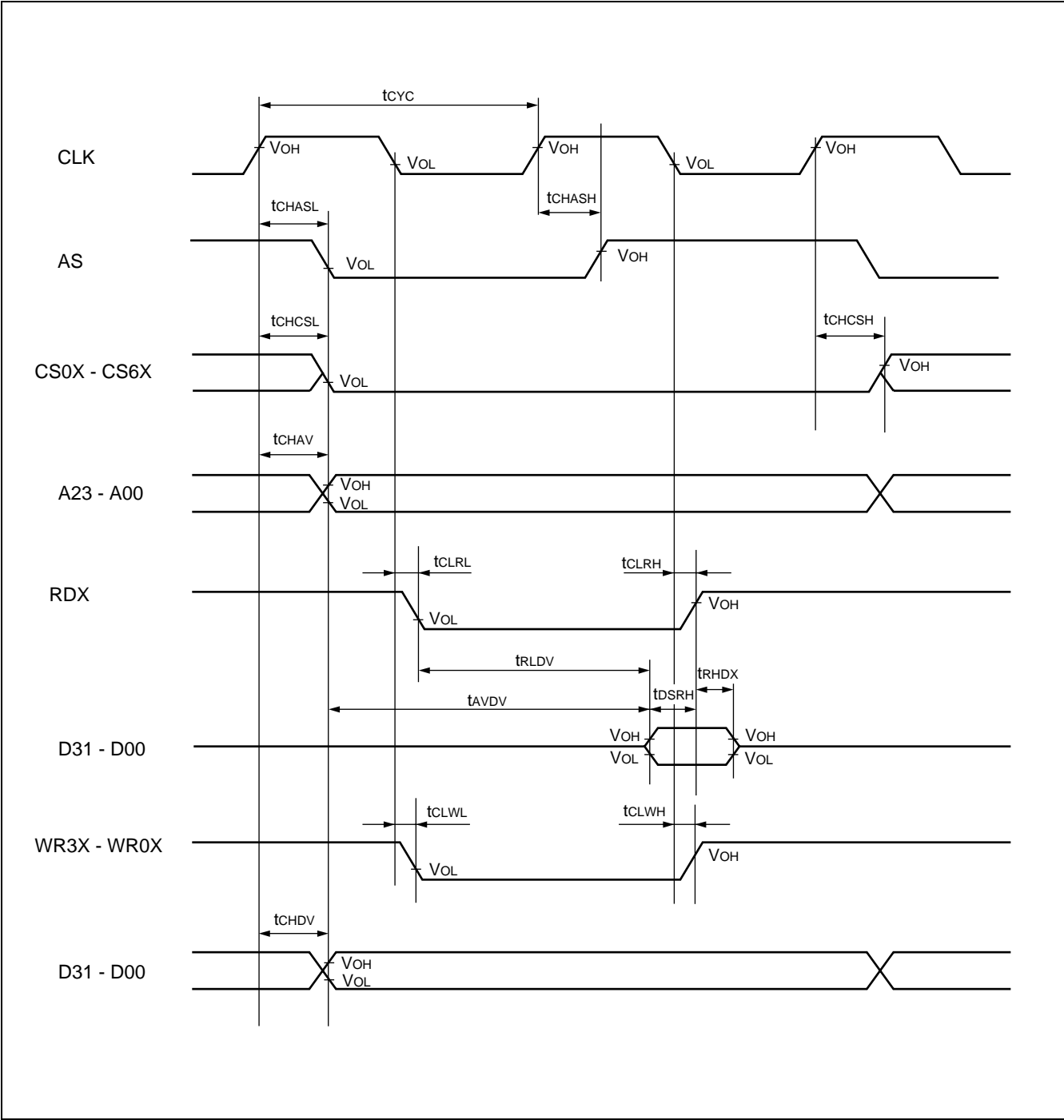


# MB91360G Series

## • External bus interface

(V<sub>DD</sub> = 4.25 V to 5.25 V, T<sub>A</sub> = -40 °C to +85 °C)

Signal	Symbol	Pin name	Value		Unit
			Min	Max	
CS6X to CS0X delay time	t <sub>CHCSL</sub>	CLK	—	15	ns
CS6X to CS0X delay time	t <sub>CHCSH</sub>	CS6X to CS0X	—	15	ns
Address delay time	t <sub>CHAV</sub>	CLK A20 to A0	—	20	ns
Data delay time	t <sub>CHDV</sub>	CLK D31 to D0	—	16	ns
RDX delay time	t <sub>CLRL</sub>	CLK	—	15	ns
RDX delay time	t <sub>CLRH</sub>	RDX	—	15	ns
WR3X to WR0X delay time	t <sub>CLWL</sub>	CLK	—	15	ns
WR3X to WR0X delay time	t <sub>CLWH</sub>	WR3X to WR0X	—	15	ns
Effective address ⇒ Effect data input time	t <sub>AVDV</sub>	A20 to A0 D31 to D0	—	3 / 2 × t <sub>cyC</sub> - 30	ns
RDX (fall) → Effect data input time	t <sub>RLDV</sub>	RDX D31 to D0	—	t <sub>cyC</sub> - 20	ns
Data set up → RDX (rise) time	t <sub>DSRH</sub>		25	—	ns
RDX (rise) → Data hold time	t <sub>RHDX</sub>		0	—	ns
AS delay time	t <sub>CHASL</sub>	AS	—	15	ns
AS delay time	t <sub>CHASH</sub>	AS	—	15	ns

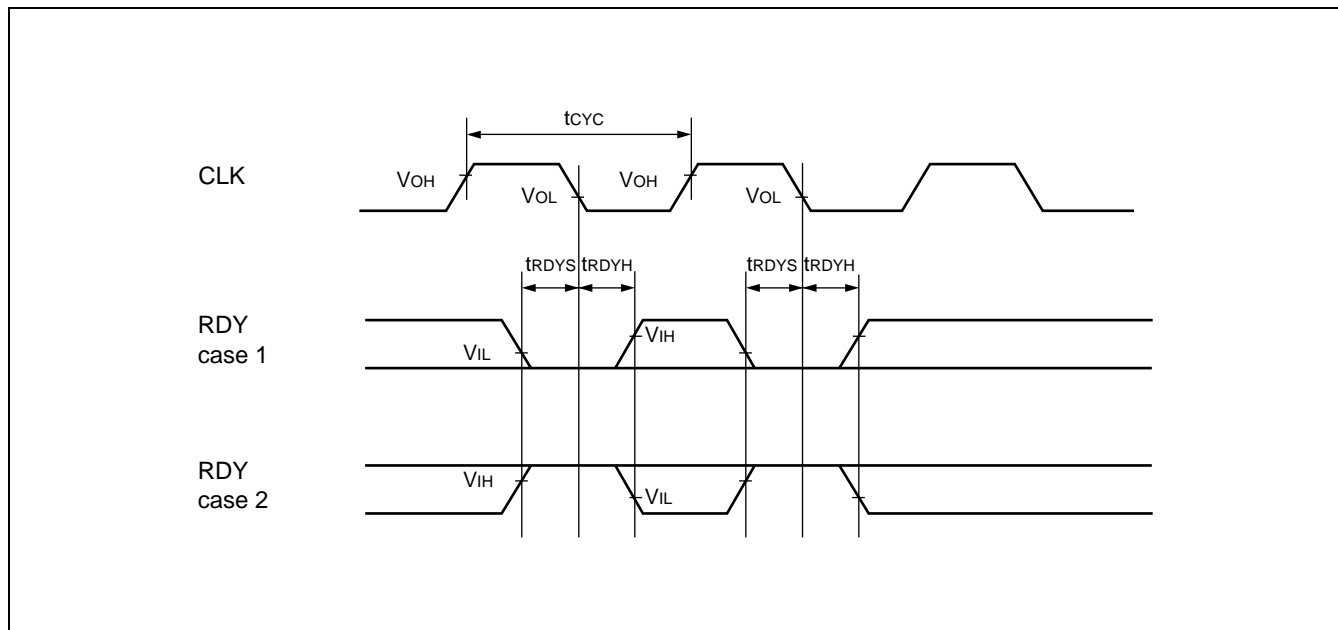


# MB91360G Series

• RDY

( $V_{DD} = 4.25\text{ V to }5.25\text{ V}$ ,  $T_A = -40\text{ }^\circ\text{C to }+85\text{ }^\circ\text{C}$ )

Signal	Symbol	Pin name	Value		Unit
			Min	Max	
RDY setup	$t_{RDYS}$	CLK RDY	16	—	ns
RDY hold	$t_{RDYH}$	CLK RDY	0	—	ns

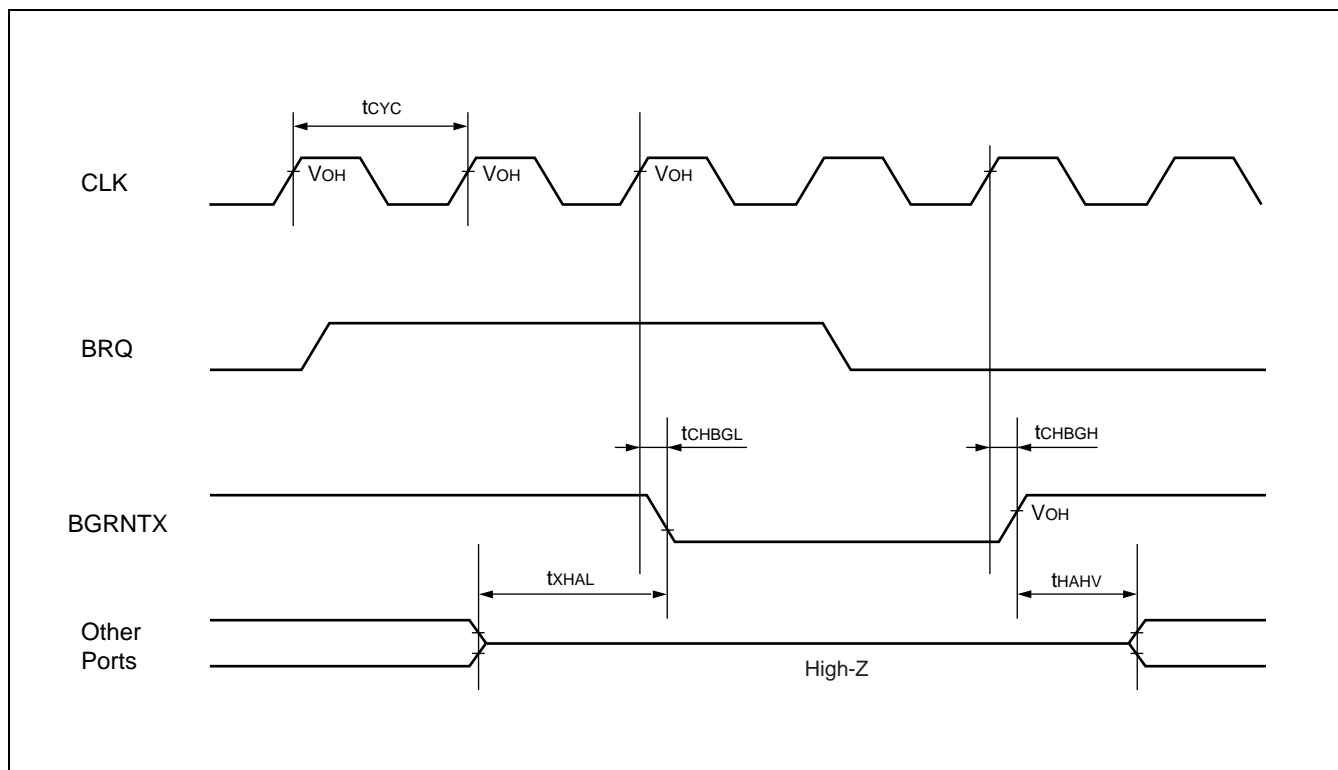




• BGRNTX

( $V_{DD} = 4.25\text{ V to }5.25\text{ V}$ ,  $T_A = -40\text{ }^\circ\text{C to }+85\text{ }^\circ\text{C}$ )

Signal	Symbol	Pin name	Value		Unit
			Min	Max	
BGRNTX	$t_{CHBGL}$	CLK BGRNTX	—	10	ns
BGRNTX	$t_{CHBGH}$		—	10	ns
Bus access enabled BGRNTX falling	$t_{XHAL}$	BGRNTX	$t_{cyc} - 15$	$t_{cyc} + 15$	ns
Bus access disabled BGRNTX rising	$t_{HAHV}$		$t_{cyc} - 15$	$t_{cyc} + 15$	ns

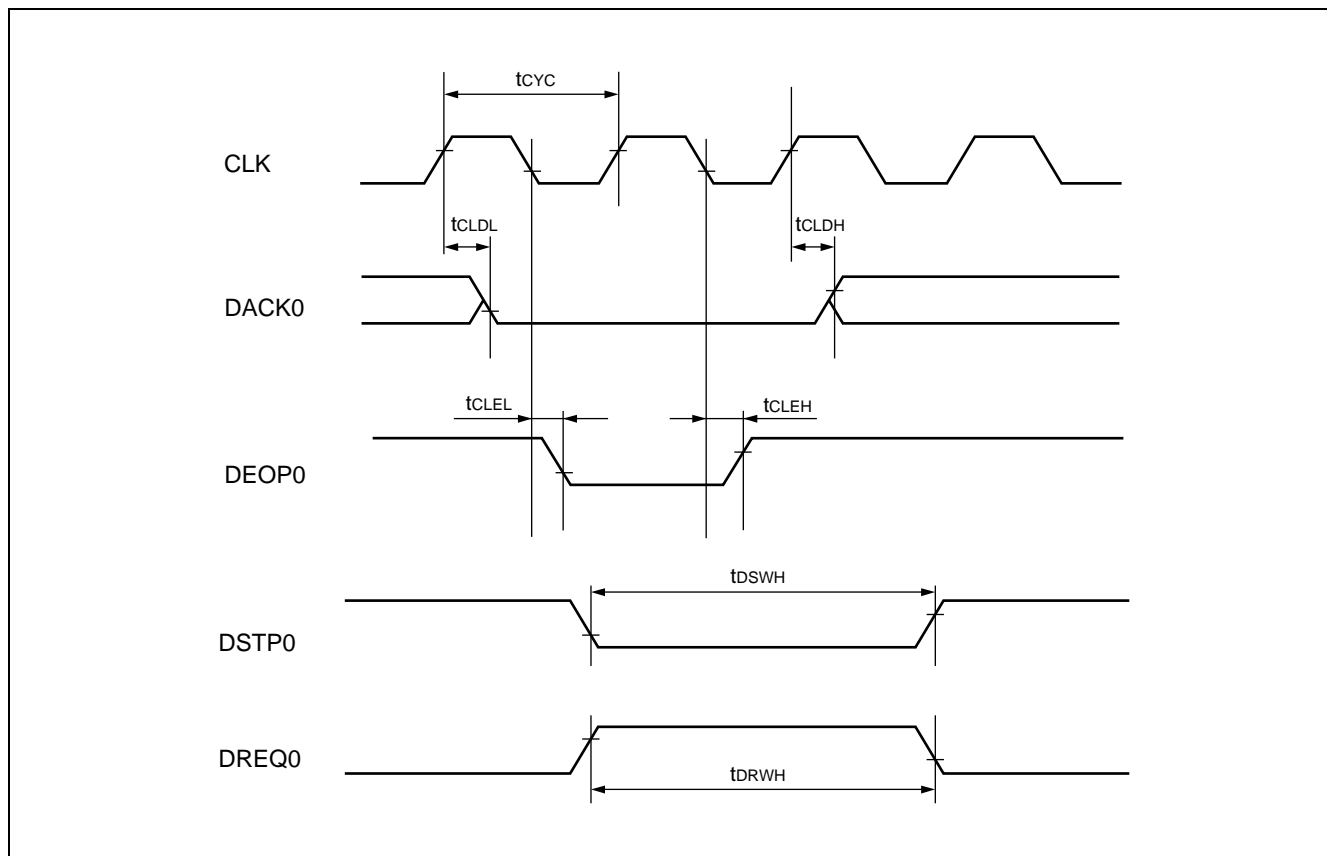


# MB91360G Series

## • DMA

( $V_{DD} = 4.25\text{ V to }5.25\text{ V}$ ,  $T_A = -40\text{ }^\circ\text{C to }+85\text{ }^\circ\text{C}$ )

Signal	Symbol	Pin name	Value		Unit
			Min	Max	
DREQ	$t_{DRWH}$	DREQ0	$5t_{CYC}$	—	ns
DSTP	$t_{DSWH}$	DSTP0*	$5t_{CYC}$	—	ns
DACK	$t_{CLDL}$	CLK	—	20	ns
	$t_{CLDH}$	DACK0	—	20	
DEOP	$t_{CLEL}$	CLK	—	20	ns
	$t_{CLEH}$	DEOP0	—	20	



\* : DSTP and DEOP share a pin. The pin is possible to change DSTP and DEOP functions using a port function register.

## ■ PACKAGE THERMAL RESISTANCE INFORMATION

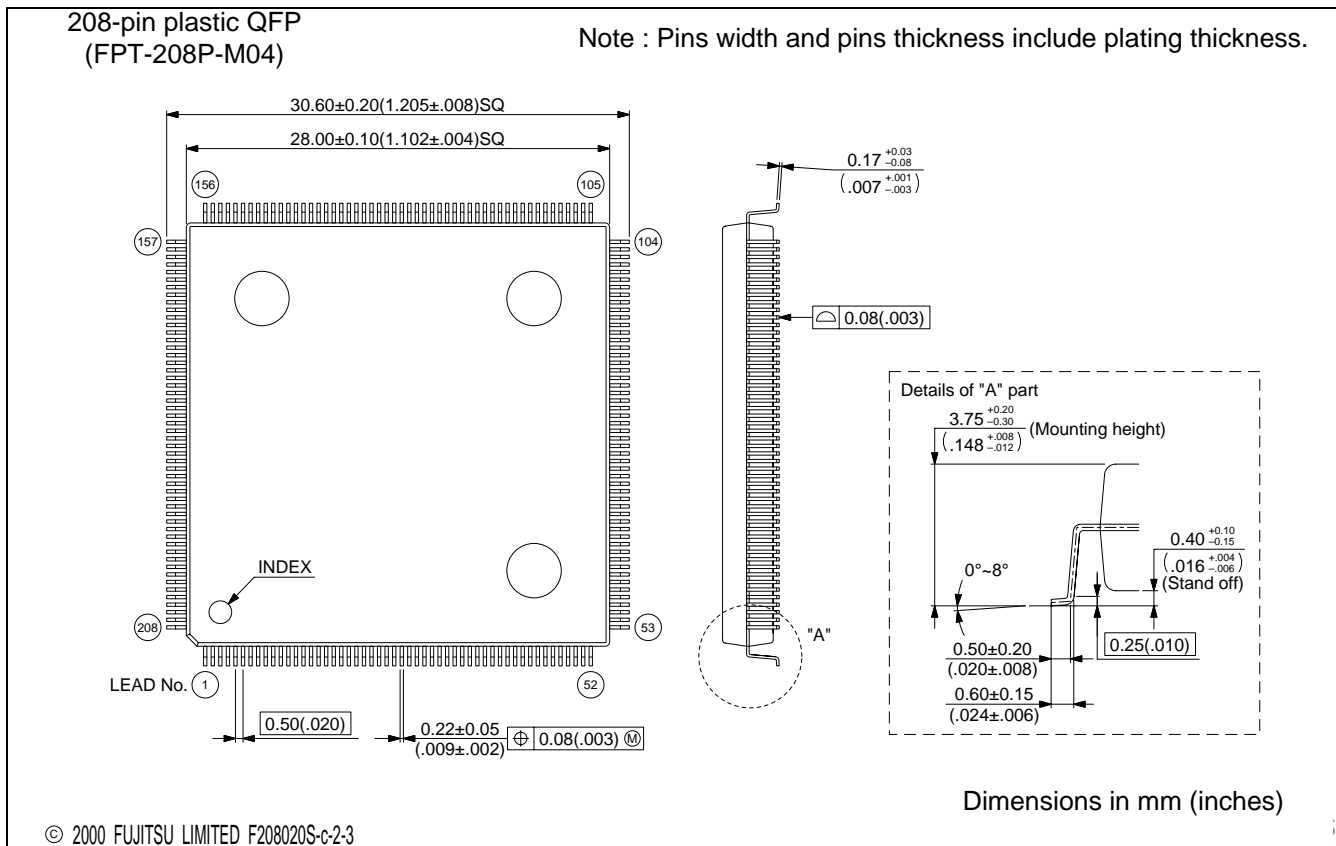
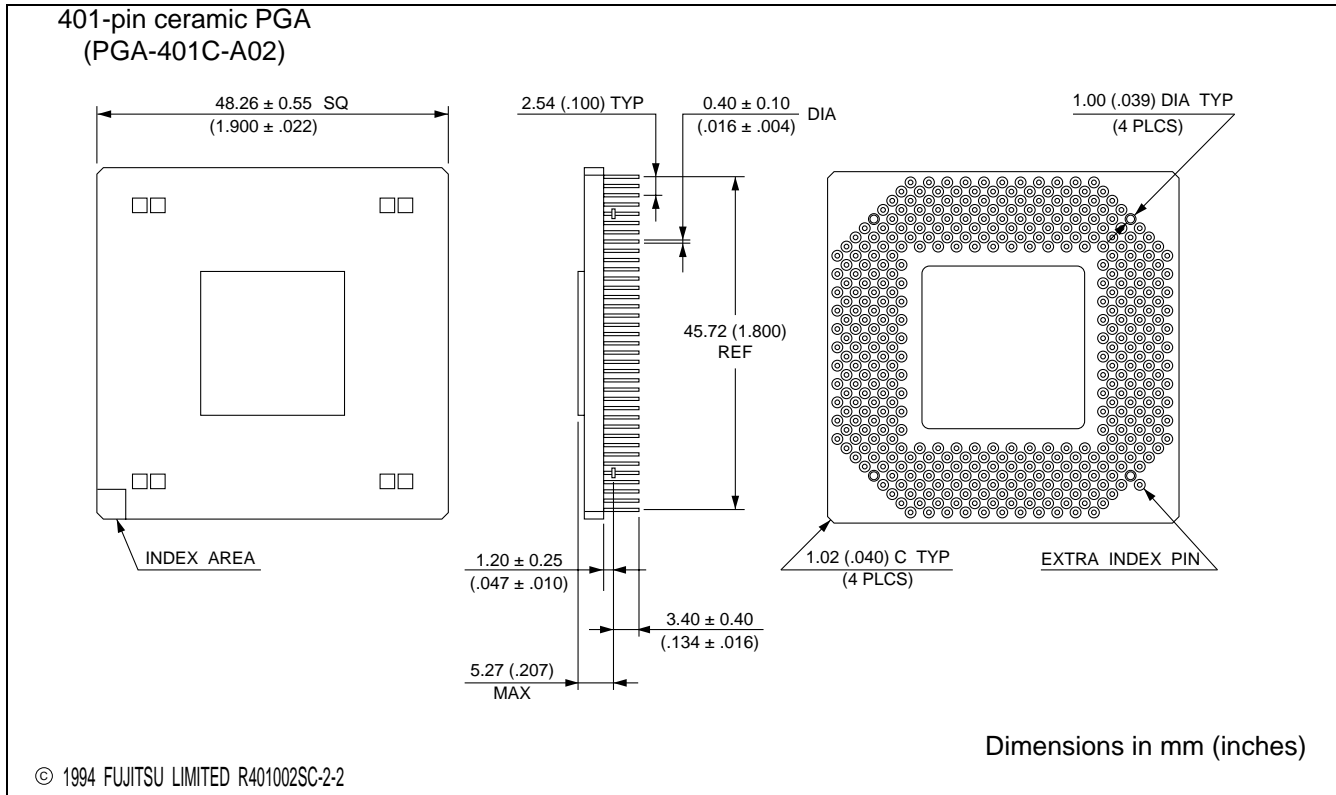
Package	Thermal Resistance [ °C/W]			
	Theta-ja			Theta-jc
	0 m/s	1 m/s	3 m/s	
FPT-208P-M04	16	13	11	2.5
PGA-401C-A02	16	8.5	5.5	—
FPT-160P-M15	16	13	11	2.5

## ■ ORDERING INFORMATION

Part number	Package	Remarks
MB91FV360GACR	401-pin Ceramic PGA (PGA-401C-A02)	
MB91F362GAPFVS	208-pin Plastic QFP (FPT-208P-M04)	
MB91F369GAPQS1	160-pin Plastic QFP (FPT-160P-M15)	

# MB91360G Series

## PACKAGE DIMENSIONS

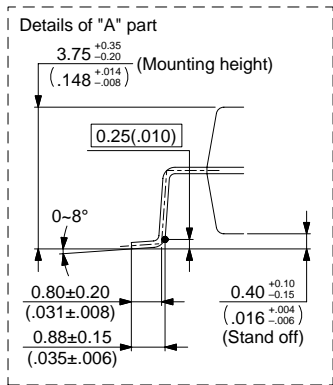
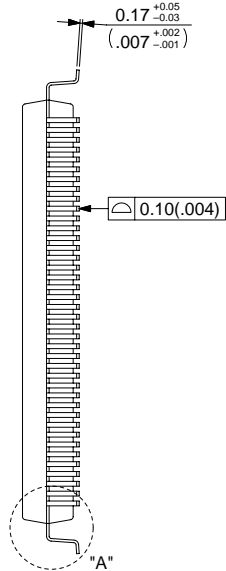
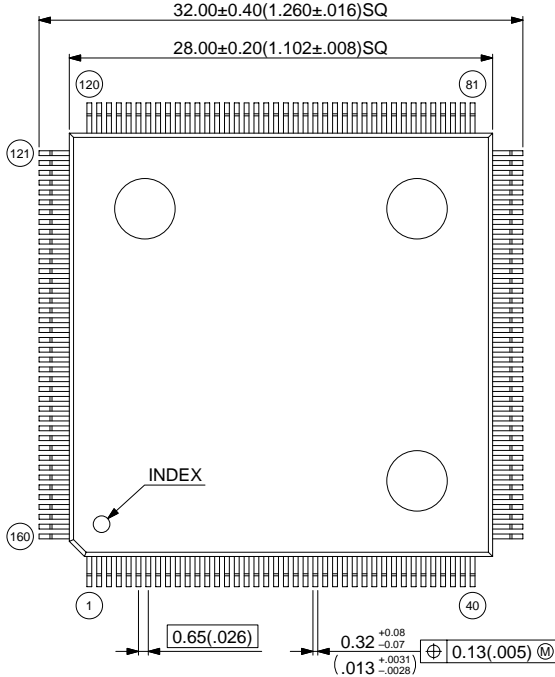


# MB91360G Series

(Continued)

160-pin plastic QFP  
(FPT-160P-M15)

Note : Pins width and pins thickness include plating thickness.



Dimensions in mm (inches)

© 2001 FUJITSU LIMITED F160037S-c-2-2

# MB91360G Series

## FUJITSU LIMITED

All Rights Reserved.

The contents of this document are subject to change without notice. Customers are advised to consult with FUJITSU sales representatives before ordering.

The information and circuit diagrams in this document are presented as examples of semiconductor device applications, and are not intended to be incorporated in devices for actual use. Also, FUJITSU is unable to assume responsibility for infringement of any patent rights or other rights of third parties arising from the use of this information or circuit diagrams.

The products described in this document are designed, developed and manufactured as contemplated for general use, including without limitation, ordinary industrial use, general office use, personal use, and household use, but are not designed, developed and manufactured as contemplated (1) for use accompanying fatal risks or dangers that, unless extremely high safety is secured, could have a serious effect to the public, and could lead directly to death, personal injury, severe physical damage or other loss (i.e., nuclear reaction control in nuclear facility, aircraft flight control, air traffic control, mass transport control, medical life support system, missile launch control in weapon system), or (2) for use requiring extremely high reliability (i.e., submersible repeater and artificial satellite).

Please note that Fujitsu will not be liable against you and/or any third party for any claims or damages arising in connection with above-mentioned uses of the products.

Any semiconductor devices have an inherent chance of failure. You must protect against injury, damage or loss from such failures by incorporating safety design measures into your facility and equipment such as redundancy, fire protection, and prevention of over-current levels and other abnormal operating conditions.

If any products described in this document represent goods or technologies subject to certain restrictions on export under the Foreign Exchange and Foreign Trade Law of Japan, the prior authorization by Japanese government will be required for export of those products from Japan.

F0201  
© FUJITSU LIMITED Printed in Japan