

16-bit Proprietary Microcontroller

CMOS

F²MC-16FX MB96330 Series

MB96F336 MB96F338

■ DESCRIPTION

MB96330 series is based on Fujitsu's advanced 16FX architecture (16-bit with instruction pipeline for RISC-like performance). The CPU uses the same instruction set as the established 16LX series - thus allowing for easy migration of 16LX Software to the new 16FX products. 16FX improvements compared to the previous generation include significantly improved performance - even at the same operation frequency, reduced power consumption and faster start-up time.

For highest processing speed at optimized power consumption an internal PLL can be selected to supply the CPU with up to 48MHz operation frequency from an external 4MHz resonator. The result is a minimum instruction cycle time of 20.8ns going together with excellent EMI behavior. An on-chip clock modulation circuit significantly reduces emission peaks in the frequency spectrum. The emitted power is minimized by the on-chip voltage regulator that reduces the internal CPU voltage. A flexible clock tree allows to select suitable operation frequencies for peripheral resources independent of the CPU speed.

Note: F²MC is the abbreviation of Fujitsu Flexible Microcontroller

For the information for microcontroller supports, see the following web site.

This web site includes the "**Customer Design Review Supplement**" which provides the latest cautions on system development and the minimal requirements to be checked to prevent problems before the system development.

<http://edevic.fujitsu.com/micom/en-support/>

MB96330 Series

■ FEATURES

Feature	Description
Technology	<ul style="list-style-type: none"> • 0.18μm CMOS
CPU	<ul style="list-style-type: none"> • F²MC-16FX CPU • Up to 48 MHz internal, 20.8 ns instruction cycle time • Optimized instruction set for controller applications (bit, byte, word and long-word data types; 23 different addressing modes; barrel shift; variety of pointers) • 8-byte instruction execution queue • Signed multiply (16-bit × 16-bit) and divide (32-bit/16-bit) instructions available
System clock	<ul style="list-style-type: none"> • On-chip PLL clock multiplier (x1 - x25, x1 when PLL stop) • 3 MHz - 16 MHz external crystal oscillator clock (maximum frequency when using ceramic resonator depends on Q-factor). • Up to 48 MHz external clock • 32-100 kHz subsystem quartz clock • 100kHz/2MHz internal RC clock for quick and safe startup, oscillator stop detection, watchdog • Clock source selectable from main- and subclock oscillator (part number suffix "W") and on-chip RC oscillator, independently for CPU and 2 clock domains of peripherals. • Low Power Consumption - 13 operating modes : (different Run, Sleep, Timer modes, Stop mode) • Clock modulator
On-chip voltage regulator	<ul style="list-style-type: none"> • Internal voltage regulator supports reduced internal MCU voltage, offering low EMI and low power consumption figures
Low voltage reset	<ul style="list-style-type: none"> • Reset is generated when supply voltage is below minimum.
Code Security	<ul style="list-style-type: none"> • Protects ROM content from unintended read-out
Memory Patch Function	<ul style="list-style-type: none"> • Replaces ROM content • Can also be used to implement embedded debug support
DMA	<ul style="list-style-type: none"> • Automatic transfer function independent of CPU, can be assigned freely to resources
Interrupts	<ul style="list-style-type: none"> • Fast Interrupt processing • 8 programmable priority levels • Non-Maskable Interrupt (NMI)
Timers	<ul style="list-style-type: none"> • Three independent clock timers (23-bit RC clock timer, 23-bit Main clock timer, 17-bit Sub clock timer) • Watchdog Timer

MB96330 Series

Feature	Description
CAN	<ul style="list-style-type: none"> • Supports CAN protocol version 2.0 part A and B • ISO16845 certified • Bit rates up to 1 Mbit/s • 32 message objects • Each message object has its own identifier mask • Programmable FIFO mode (concatenation of message objects) • Maskable interrupt • Disabled Automatic Retransmission mode for Time Triggered CAN applications • Programmable loop-back mode for self-test operation
USART	<ul style="list-style-type: none"> • Full duplex USARTs (SCI/LIN) • Wide range of baud rate settings using a dedicated reload timer • Special synchronous options for adapting to different synchronous serial protocols • LIN functionality working either as master or slave LIN device
I ² C	<ul style="list-style-type: none"> • Up to 400 kbps • Master and Slave functionality, 7-bit and 10-bit addressing
A/D converter	<ul style="list-style-type: none"> • SAR-type • 10-bit resolution • Signals interrupt on conversion end, single conversion mode, continuous conversion mode, stop conversion mode, activation by software, external trigger or reload timer
Reload Timers	<ul style="list-style-type: none"> • 16-bit wide • Prescaler with $1/2^1$, $1/2^2$, $1/2^3$, $1/2^4$, $1/2^5$, $1/2^6$ of peripheral clock frequency • Event count function
Free Running Timers	<ul style="list-style-type: none"> • Signals an interrupt on overflow, supports timer clear upon match with Output Compare (0, 4), Prescaler with 1, $1/2^1$, $1/2^2$, $1/2^3$, $1/2^4$, $1/2^5$, $1/2^6$, $1/2^7$, $1/2^8$ of peripheral clock frequency
Input Capture Units	<ul style="list-style-type: none"> • 16-bit wide • Signals an interrupt upon external event • Rising edge, falling edge or rising & falling edge sensitive
Output Compare Units	<ul style="list-style-type: none"> • 16-bit wide • Signals an interrupt when a match with 16-bit I/O Timer occurs • A pair of compare registers can be used to generate an output signal.
Programmable Pulse Generator	<ul style="list-style-type: none"> • 16-bit down counter, cycle and duty setting registers • Interrupt at trigger, counter borrow and/or duty match • PWM operation and one-shot operation • Internal prescaler allows 1, 1/4, 1/16, 1/64 of peripheral clock as counter clock and Reload timer underflow as clock input • Can be triggered by software or reload timer

MB96330 Series

Feature	Description
Real Time Clock	<ul style="list-style-type: none"> • Can be clocked either from sub oscillator (devices with part number suffix "W"), main oscillator or from the RC oscillator • Facility to correct oscillation deviation of Sub clock or RC oscillator clock (clock calibration) • Read/write accessible second/minute/hour registers • Can signal interrupts every half second/second/minute/hour/day • Internal clock divider and prescaler provide exact 1s clock
External Interrupts	<ul style="list-style-type: none"> • Edge sensitive or level sensitive • Interrupt mask and pending bit per channel • Each available CAN channel RX has an external interrupt for wake-up • Selected USART channels SIN have an external interrupt for wake-up
Non Maskable Interrupt	<ul style="list-style-type: none"> • Disabled after reset • Once enabled, can not be disabled other than by reset. • Level high or level low sensitive • Pin shared with external interrupt 0.
External bus interface	<ul style="list-style-type: none"> • 8-bit or 16-bit bidirectional data • Up to 24-bit addresses • 6 chip select signals • Multiplexed address/data lines • Non-multiplexed address/data lines • Wait state request • External bus master possible • Timing programmable
Alarm comparator	<ul style="list-style-type: none"> • Monitors an external voltage and generates an interrupt in case of a voltage lower or higher than the defined thresholds • Threshold voltages defined externally or generated internally • Status is readable, interrupts can be masked separately
I/O Ports	<ul style="list-style-type: none"> • Virtually all external pins can be used as general purpose I/O • All push-pull outputs (except when used as I2C SDA/SCL line) • Bit-wise programmable as input/output or peripheral signal • Bit-wise programmable input enable • Bit-wise programmable input levels: Automotive / CMOS-Schmitt trigger / TTL • Bit-wise programmable pull-up resistor • Bit-wise programmable output driving strength for EMI optimization
Package	<ul style="list-style-type: none"> • 144-pin plastic LQFP M08

MB96330 Series

Feature	Description
Flash Memory	<ul style="list-style-type: none">• Supports automatic programming, Embedded Algorithm• Write/Erase/Erase-Suspend/Resume commands• A flag indicating completion of the algorithm• Number of erase cycles: 10,000 times• Data retention time: 20 years• Erase can be performed on each sector individually• Sector protection• Flash Security feature to protect the content of the Flash• Low voltage detection during Flash erase
USB	<ul style="list-style-type: none">• USB function (corresponds to USB Full Speed)• USB Mini-HOST function• Supports up to 6 endpoints

MB96330 Series

■ PRODUCT LINEUP

Features		MB96V300	MB96(F)33xY/R	MB96(F)33xU
Product type		Evaluation sample	Flash product: MB96F33x Mask ROM product: MB9633x	
Product options				
YS		NA	Low voltage reset persistently on / Single clock devices	
RS			Low voltage reset can be disabled / Single clock devices	
YW			Low voltage reset persistently on / Dual clock devices	
RW			Low voltage reset can be disabled / Dual clock devices	
US			USB / Low voltage reset can be disabled / Single clock devices	
UW			USB / Low voltage reset can be disabled / Dual clock devices	
Flash/ ROM	RAM			
288KB	24KB	ROM/Flash memory emulation by external RAM, 92KB internal RAM		MB96F336U
544KB	32KB		MB96F338Y, MB96F338R	MB96F338U
Package		BGA416	FPT-144P-M08	
DMA		16 channels	10 channels	
USART		10 channels	8 channels	
I2C		2 channels		
A/D Converter		40 channels	40 channels	36 channels
A/D Converter Reference Voltage switch		yes	No	
16-bit Reload Timer		6 channels + 1 channel (for PPG)	4 channels + 1 channel (for PPG)	
16-bit Free-Running Timer		4 channels		
16-bit Output Compare		12 channels		
16-bit Input Capture		10 channels		
16-bit Programmable Pulse Generator		20 channels		
CAN Interface		5 channels	3 channels (1 channel for MB96F336U)	
USB		No	No	1 channel
External Interrupts		16 channels		
Non-Maskable Interrupt		1 channel		

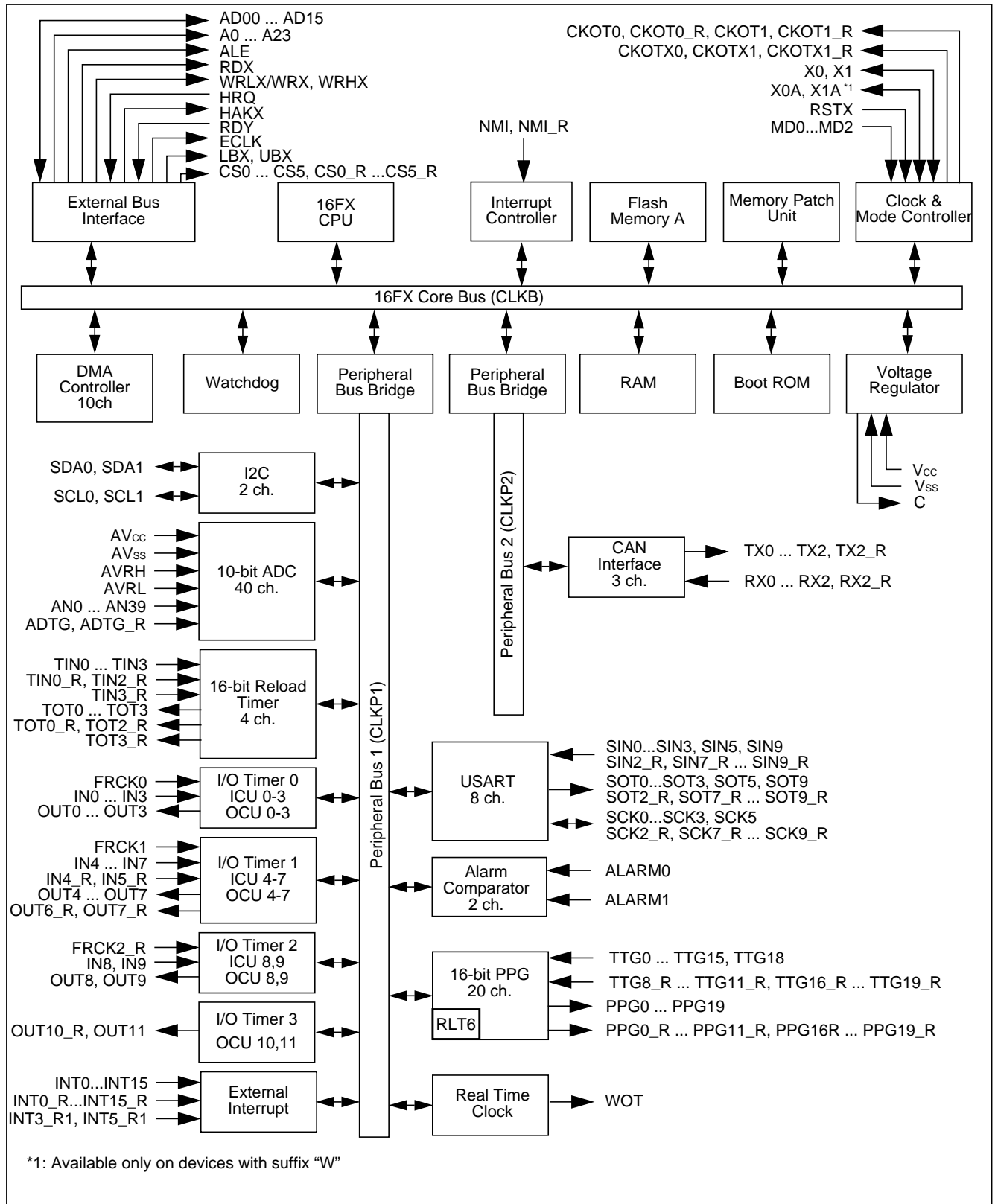
MB96330 Series

Features	MB96V300	MB96(F)33xY/R	MB96(F)33xU
Real Time Clock	1		
I/O Ports	136	122 for part number with suffix "W", 124 for part number with suffix "S"	118 for part number with suffix "W", 120 for part number with suffix "S"
Alarm comparator	2 channels		
External bus interface	Yes		
Chip select	6 signals		
Clock output function	2 channels		
Low voltage reset	Yes		
On-chip RC-oscillator	Yes		

MB96330 Series

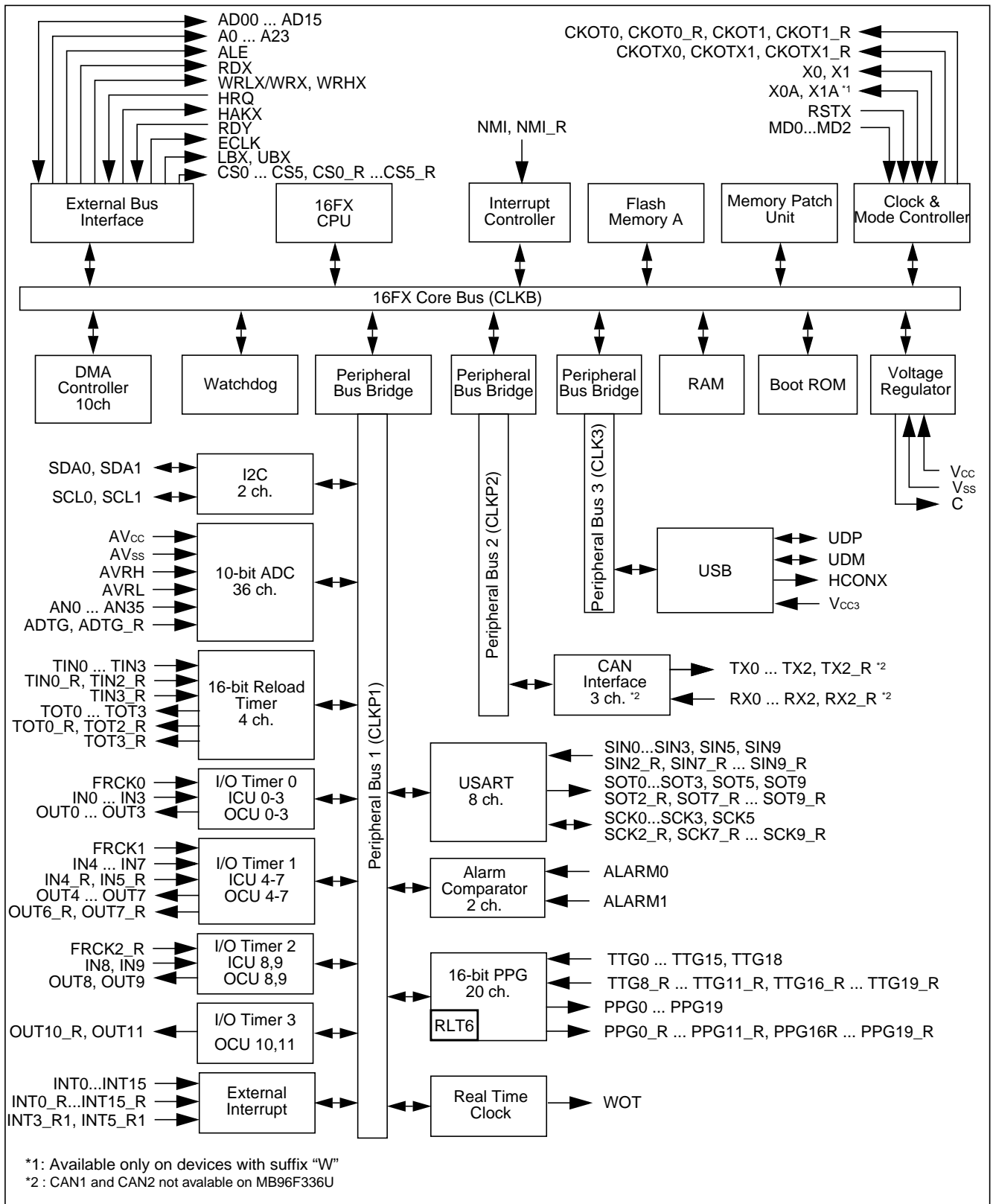
■ BLOCK DIAGRAM

Block diagram of MB96(F)33xY/R



MB96330 Series

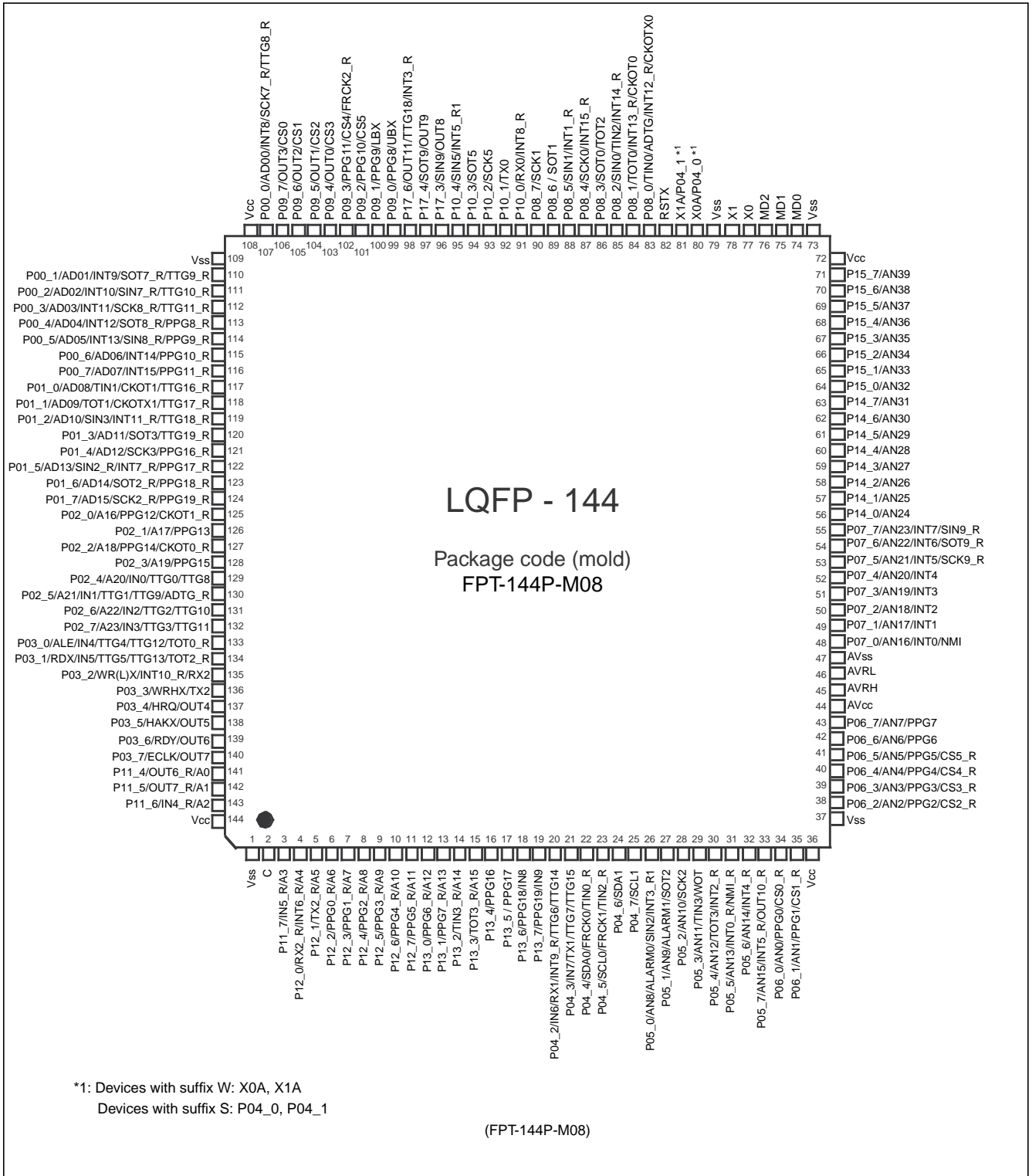
Block diagram of MB96(F)33xU



MB96330 Series

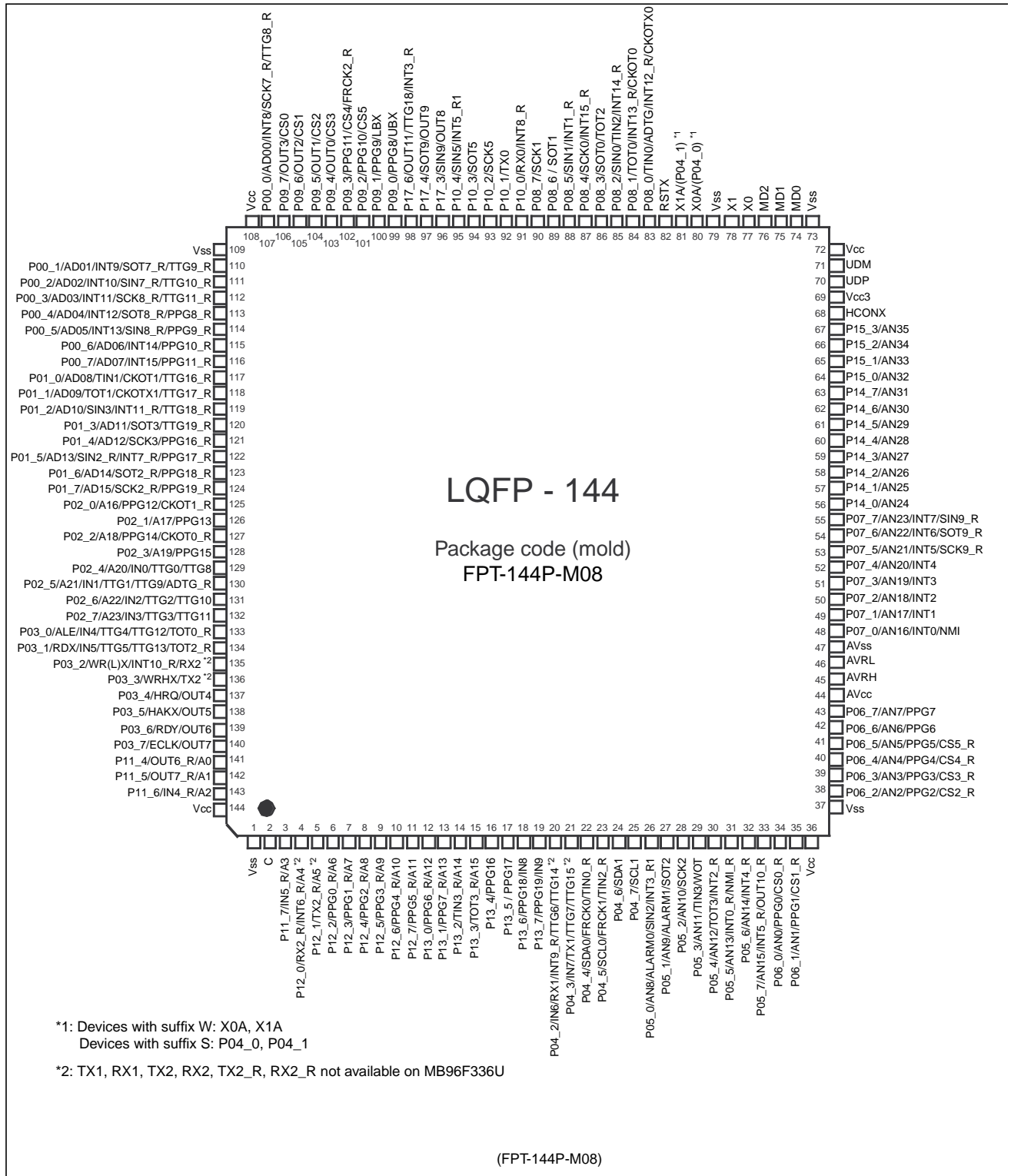
PIN ASSIGNMENTS

Pin assignment of M96F33xY/R (FPT-144P-M08)



MB96330 Series

Pin assignment of MB96F33xU (FPT-144P-M08) USB device



MB96330 Series

■ PIN FUNCTION DESCRIPTION

Pin Function description (1 of 3)

Pin name	Feature	Description
ADn	External bus	External bus interface (non multiplexed mode) data input/output. External bus interface (multiplexed mode) address output and data input/output
ADTG	ADC	A/D converter trigger input
ADTG_R	ADC	Relocated A/D converter trigger input
ALARMn	Alarm comparator	Alarm Comparator n input
ALE	External bus	External bus Address Latch Enable output
An	External bus	External bus non-multiplexed address output
ANn	ADC	A/D converter channel n input
AV _{cc}	Supply	Analog circuits power supply
AVRH	ADC	A/D converter high reference voltage input
AVRL	ADC	A/D converter low reference voltage input
AV _{ss}	Supply	Analog circuits power supply
C	Voltage regulator	Internally regulated power supply stabilization capacitor pin
CKOTn	Clock output function	Clock Output function n output
CKOTn_R	Clock output function	Relocated Clock Output function n output
CKOTXn	Clock output function	Clock Output function n inverted output
CKOTXn_R	Clock output function	Relocated Clock Output function n inverted output
ECLK	External bus	External bus clock output
CSn	External bus	External bus chip select n output
CSn_R	External bus	Relocated External bus chip select n output
FRCKn	Free Running Timer	Free Running Timer n input
FRCKn_R	Free Running Timer	Relocated Free Running Timer n input
HAKX	External bus	External bus Hold Acknowledge
HCONX	USB	USB connection to host or hub
HRQ	External bus	External bus Hold Request
INn	ICU	Input Capture Unit n input
INn_R	ICU	Relocated Input Capture Unit n input
INTn	External Interrupt	External Interrupt n input
INTn_R	External Interrupt	Relocated External Interrupt n input

MB96330 Series

Pin Function description (2 of 3)

Pin name	Feature	Description
LBX	External bus	External Bus Interface Lower Byte select strobe output
MDn	Core	Input pins for specifying the operating mode.
NMI	External Interrupt	Non-Maskable Interrupt input
NMI_R	External Interrupt	Relocated Non-Maskable Interrupt input
OUTn	OCU	Output Compare Unit n waveform output
OUTn_R	OCU	Relocated Output Compare Unit n waveform output
Pxx_n	GPIO	General purpose IO
PPGn	PPG	Programmable Pulse Generator n output
PPGn_R	PPG	Relocated Programmable Pulse Generator n output
RDX	External bus	External bus interface read strobe output
RDY	External bus	External bus interface external wait state request input
RSTX	Core	Reset input
RXn	CAN	CAN interface n RX input
RXn_R	CAN	Relocated CAN interface n RX input
SCKn	USART	USART n serial clock input/output
SCKn_R	USART	Relocated USART n serial clock input/output
SCLn	I2C	I2C interface n clock I/O input/output
SDAn	I2C	I2C interface n serial data I/O input/output
SINn	USART	USART n serial data input
SINn_R	USART	Relocated USART n serial data input
SOTn	USART	USART n serial data output
SOTn_R	USART	Relocated USART n serial data output
TINn	Reload Timer	Reload Timer n event input
TINn_R	Reload Timer	Relocated Reload Timer n event input
TOTn	Reload Timer	Reload Timer n output
TOTn_R	Reload Timer	Relocated Reload Timer n output
TTGn	PPG	Programmable Pulse Generator n trigger input
TTGn_R	PPG	Relocated Programmable Pulse Generator n trigger input
TXn	CAN	CAN interface n TX output
TXn_R	CAN	Relocated CAN interface n TX output

MB96330 Series

Pin Function description (3 of 3)

Pin name	Feature	Description
UBX	External bus	External Bus Interface Upper Byte select strobe output
UDM	USB	USB minus
UDP	USB	USB plus
V _{cc}	Supply	Power supply
V _{cc3}	Supply	USB Power supply
V _{ss}	Supply	Power supply
WOT	RTC	Real Timer clock output
WRHX	External bus	External bus High byte write strobe output
WRLX/WRX	External bus	External bus Low byte / Word write strobe output
X0	Clock	Oscillator input
X0A	Clock	Subclock Oscillator input (only for devices with suffix "W")
X1	Clock	Oscillator output
X1A	Clock	Subclock Oscillator output (only for devices with suffix "W")

MB96330 Series

■ PIN CIRCUIT TYPE

Pin no.	FPT-144P-M08	
	Circuit type *1	
	MB96(F)33xY/R	MB96(F)33xU (USB device)
1	Supply	
2	F	
3 to 21	H	
22 to 25	N	
26 to 35	I	
36, 37	Supply	
38 to 43	I	
44	Supply	
45	G	
46 to 47	Supply	
48 to 67	I	
68	I	O
69	I	Supply (3.3V)
70, 71	I	P
72, 73	Supply	
74 to 76	C	
77, 78	A	
79	Supply	
80, 81	B *2	
80, 81	H *3	
82	E	
83 to 107	H	
108, 109	Supply	
110 to 143	H	
144	Supply	

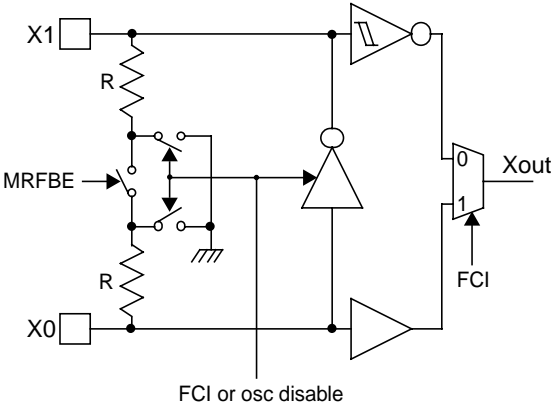
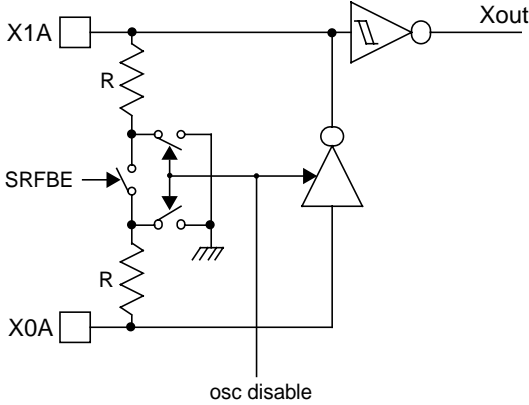
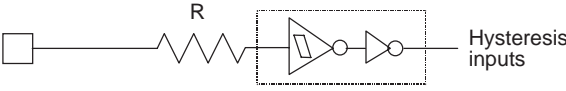
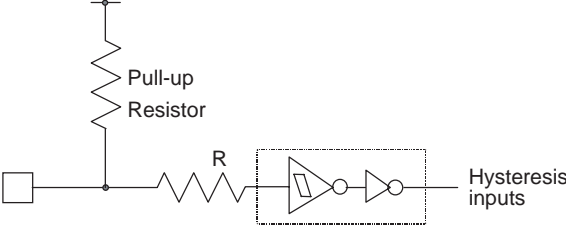
*1: Please refer to “■ I/O CIRCUIT TYPE” for details on the I/O circuit types

*2: Devices with suffix “W”

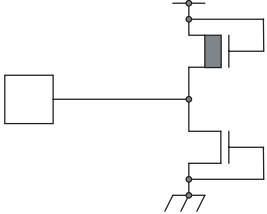
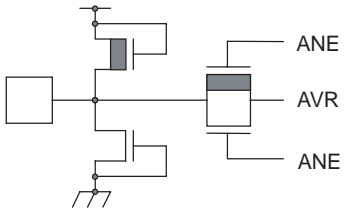
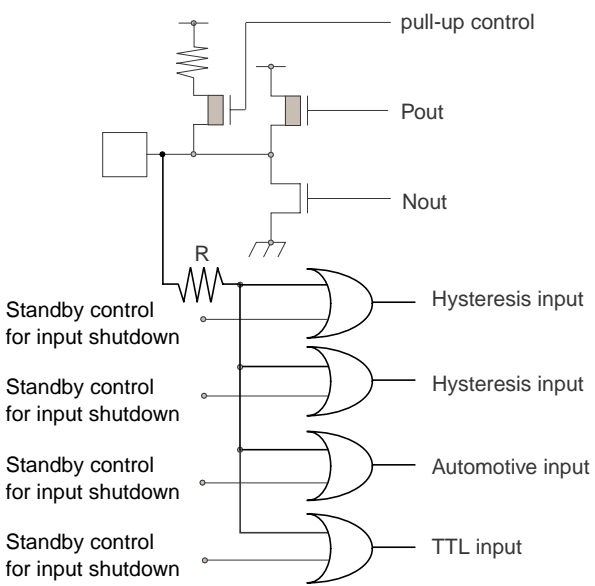
*3: Devices without suffix “W”

MB96330 Series

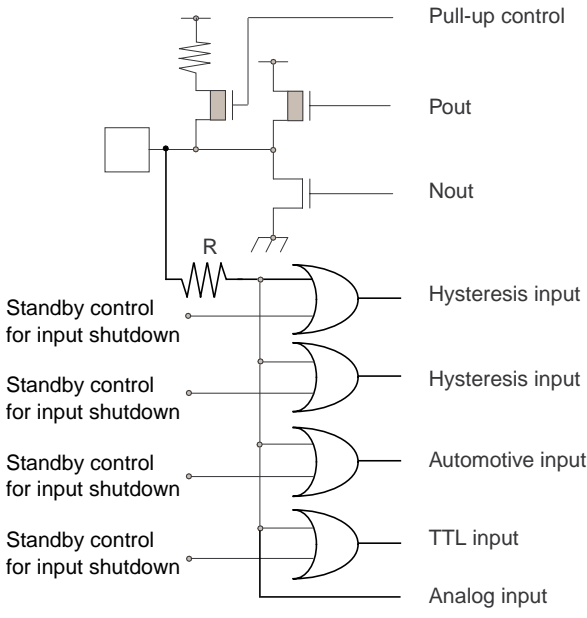
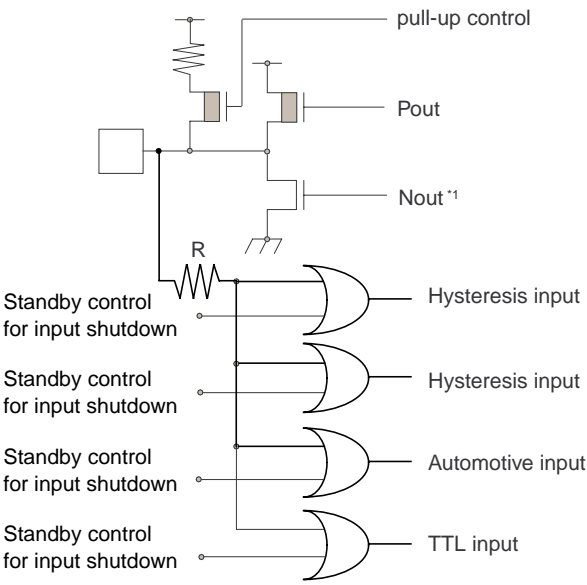
■ I/O CIRCUIT TYPE

Type	Circuit	Remarks
A		<p>High-speed oscillation circuit:</p> <ul style="list-style-type: none"> • Programmable between oscillation mode (external crystal or resonator connected to X0/X1 pins) and Fast external Clock Input (FCI) mode (external clock connected to X0 pin) • Programmable feedback resistor = approx. $2 * 0.5 \text{ M}\Omega$. Feedback resistor is grounded in the center when the oscillator is disabled or in FCI mode
B		<p>Low-speed oscillation circuit:</p> <ul style="list-style-type: none"> • Programmable feedback resistor = approx. $2 * 5 \text{ M}\Omega$. Feedback resistor is grounded in the center when the oscillator is disabled
C		<ul style="list-style-type: none"> • Mask ROM and EVA device: CMOS Hysteresis input pin • Flash device: CMOS input pin
E		<ul style="list-style-type: none"> • CMOS Hysteresis input pin • Pull-up resistor value: approx. $50 \text{ k}\Omega$

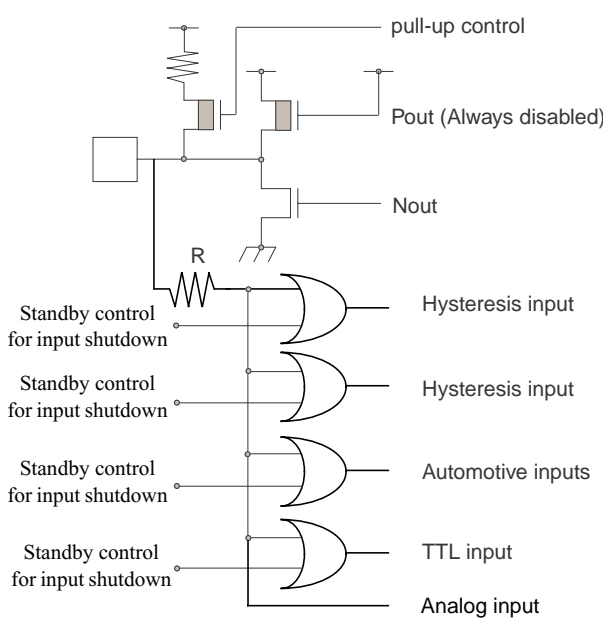
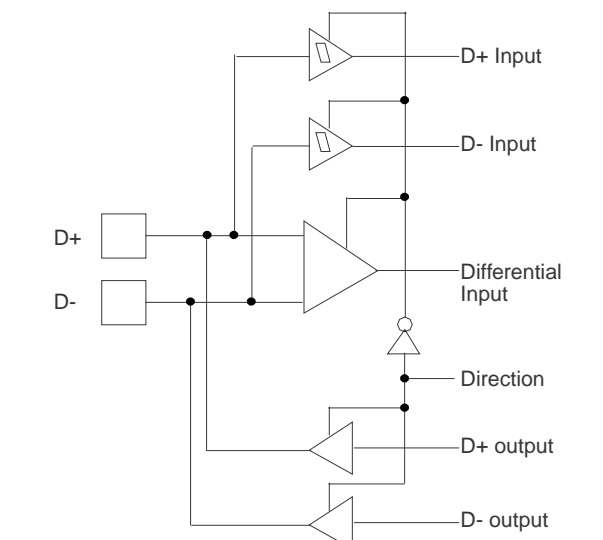
MB96330 Series

Type	Circuit	Remarks
F		<ul style="list-style-type: none"> Power supply input protection circuit
G		<ul style="list-style-type: none"> A/D converter ref+ (AVRH) power supply input pin with protection circuit Flash devices do not have a protection circuit against VCC for pins AVRH
H		<ul style="list-style-type: none"> CMOS level output (programmable $I_{OL} = 5\text{mA}$, $I_{OH} = -5\text{mA}$ and $I_{OL} = 2\text{mA}$, $I_{OH} = -2\text{mA}$) 2 different CMOS hysteresis inputs with input shutdown function Automotive input with input shutdown function TTL input with input shutdown function Programmable pull-up resistor: $50\text{k}\Omega$ approx.

MB96330 Series

Type	Circuit	Remarks
I	 <p>The diagram for Type I shows a pull-up control circuit with a resistor and a PMOS transistor. The output is connected to a PMOS transistor (Pout) and an N-channel MOSFET (Nout). Below the output, there are four OR gates. The first OR gate is labeled 'Hysteresis input' and has two 'Standby control for input shutdown' inputs. The second OR gate is labeled 'Hysteresis input' and has one 'Standby control for input shutdown' input. The third OR gate is labeled 'Automotive input' and has one 'Standby control for input shutdown' input. The fourth OR gate is labeled 'TTL input' and has one 'Standby control for input shutdown' input. An 'Analog input' is also shown at the bottom.</p>	<ul style="list-style-type: none"> • CMOS level output (programmable $I_{OL} = 5\text{mA}$, $I_{OH} = -5\text{mA}$ and $I_{OL} = 2\text{mA}$, $I_{OH} = -2\text{mA}$) • 2 different CMOS hysteresis inputs with input shutdown function • Automotive input with input shutdown function • TTL input with input shutdown function. • Programmable pull-up resistor: $50\text{k}\Omega$ approx. • Analog input
N	 <p>The diagram for Type N is similar to Type I but features an N-channel MOSFET labeled 'Nout*1'. The input structure with four OR gates and standby controls is identical to Type I.</p>	<ul style="list-style-type: none"> • CMOS level output ($I_{OL} = 3\text{mA}$, $I_{OH} = -3\text{mA}$) • 2 different CMOS hysteresis inputs with input shutdown function • Automotive input with input shutdown function • TTL input with input shutdown function • Programmable pull-up resistor: $50\text{k}\Omega$ approx. <p>*1: N-channel transistor has slew rate control according to I²C spec, irrespective of usage</p>

MB96330 Series

Type	Circuit	Remarks
O	 <p>The circuit diagram for Type O shows a pull-up control circuit with a resistor and a transistor. It includes a Pout (Always disabled) output and an Nout output. Four OR gates are used for input control, each with a standby control for input shutdown. The inputs are labeled: Hysteresis input, Automotive inputs, TTL input, and Analog input.</p>	<p>HCONX</p> <ul style="list-style-type: none"> Available only for device with suffix "U"
P	 <p>The circuit diagram for Type P shows a USB IO cell with D+ and D- inputs and outputs. It includes a Differential Input, a Direction control, and D+ and D- outputs. The inputs are labeled: D+ Input, D- Input, Differential Input, Direction, D+ output, and D- output.</p>	<p>USB IO cell: UDP and UDM</p> <ul style="list-style-type: none"> Available only for device with suffix "U"

MB96330 Series

■ MEMORY MAP

	MB96V300B		MB96(F)33x	
FF:FFF _H	Emulation ROM		USER ROM / External Bus ^{*4}	
DE:000 _H	External Bus		External Bus	
10:000 _H	Boot-ROM		Boot-ROM	
0F:E00 _H	Reserved		Reserved	
0E:000 _H	External RAM		Reserved	
02:000 _H	Internal RAM bank 1	RAMEND ^{1,2} RAMSTART ^{1,2}	Internal RAM bank 1	RAM availability depending on the device
01:000 _H	ROM/RAM MIRROR		Reserved	
00:800 _H	Internal RAM bank 0	RAMSTART ^{0,2}	Internal RAM bank 0	External Bus end address ²
RAMSTART ^{0,3}	External Bus		Reserved	
00:0C0 _H	Peripherals		External Bus	
00:038 _H	GPR ^{*1}		Peripherals	
00:018 _H	DMA		GPR ^{*1}	
00:010 _H	External Bus		DMA	
00:00F _H	Peripheral		External Bus	
00:000 _H			Peripheral	

*1: Unused GPR banks can be used as RAM area

*2: For External Bus end address and RAMSTART/END addresses, please refer to the table on the next page.

*3: For EVA device, RAMSTART0 depends on the configuration of the emulated device.

*4: For details about USER ROM area, see the ■ USER ROM MEMORY MAP FOR FLASH DEVICES on the following pages.

The External Bus area and DMA area are only available if the device contains the corresponding resource.

The available RAM and ROM area depends on the device.

MB96330 Series

■ RAMSTART/END AND EXTERNAL BUS END ADDRESSES

Devices	Bank 0 RAM size	Bank 1 RAM size	External Bus end address	RAMSTART0	RAMSTART1	RAMEND1
MB96F336	24KByte	-	00:11FF _H	00:2240 _H	-	-
MB96F338, MB96338	28KByte	4kB	00:11FF _H	00:1240 _H	01:8000 _H	01:8FFF _H

MB96330 Series

■ USER ROM MEMORY MAP FOR FLASH DEVICES

		MB96F336U		MB96F338Y MB96F338R MB96F338U	
Alternative mode CPU address	Flash memory mode address	Flash size 288kByte		Flash size 544kByte	
FF:FFFH	3F:FFFH	S39 - 64K		S39 - 64K	Flash A
FF:000H	3F:000H				
FE:FFFH	3E:FFFH	S38 - 64K		S38 - 64K	
FE:000H	3E:000H				
FD:FFFH	3D:FFFH	S37 - 64K		S37 - 64K	
FD:000H	3D:000H				
FC:FFFH	3C:FFFH	S36 - 64K		S36 - 64K	
FC:000H	3C:000H				
FB:FFFH	3B:FFFH			S35 - 64K	
FB:000H	3B:000H				
FA:FFFH	3A:FFFH			S34 - 64K	
FA:000H	3A:000H				
F9:FFFH	39:FFFH			S33 - 64K	
F9:000H	39:000H				
F8:FFFH	38:FFFH			S32 - 64K	
F8:000H	38:000H				
F7:FFFH	37:FFFH				
F7:000H	37:000H				
F6:FFFH	36:FFFH				
F6:000H	36:000H				
F5:FFFH	35:FFFH				
F5:000H	35:000H				
F4:FFFH	34:FFFH				
F4:000H	34:000H				
F3:FFFH	33:FFFH				
F3:000H	33:000H				
F2:FFFH	32:FFFH				
F2:000H	32:000H				
F1:FFFH	31:FFFH				
F1:000H	31:000H				
F0:FFFH	30:FFFH				
F0:000H	30:000H				
E0:FFFH					
E0:000H					
DF:FFFH		Reserved		Reserved	
DF:800H					
DF:7FFFH	1F:7FFFH	SA3 - 8K		SA3 - 8K	Flash A
DF:6000H	1F:6000H				
DF:5FFFH	1F:5FFFH	SA2 - 8K		SA2 - 8K	
DF:4000H	1F:4000H				
DF:3FFFH	1F:3FFFH	SA1 - 8K		SA1 - 8K	
DF:2000H	1F:2000H				
DF:1FFFH	1F:1FFFH	SA0 - 8K *1		SA0 - 8K *1	
DF:0000H	1F:0000H				
DE:FFFH					
		Reserved		Reserved	
DE:0000H					

*1: Sector SA0 contains the ROM Configuration Block RCBA at CPU address DF:0000H - DF:007FH

MB96330 Series

■ SERIAL PROGRAMMING COMMUNICATION INTERFACE

USART pins for Flash serial programming (MD[2:0] = 010)

MB96F33x		
Pin number	USART Number	Normal function
LQFP-144		
85	USART0	SIN0
86		SOT0
87		SCK0
88	USART1	SIN1
89		SOT1
90		SCK1
26	USART2	SIN2
27		SOT2
28		SCK2
119	USART3	SIN3
120		SOT3
121		SCK3

Note: If a Flash programmer and its software needs to use a handshaking pin, Fujitsu suggests to the tool vendor to support at least port P00_1 on pin 110.

If handshaking is used by the tool but P00_1 is not available in customer's application, Fujitsu suggests to the customer to check the tool manual or to contact the tool vendor for alternative handshaking pins.

MB96330 Series

■ I/O MAP

I/O map MB96(F)33x (1 of 41)

Address	Register	Abbreviation 8-bit access	Abbreviation 16-bit access	Access
000000 _H	I/O Port P00 - Port Data Register	PDR00		R/W
000001 _H	I/O Port P01 - Port Data Register	PDR01		R/W
000002 _H	I/O Port P02 - Port Data Register	PDR02		R/W
000003 _H	I/O Port P03 - Port Data Register	PDR03		R/W
000004 _H	I/O Port P04 - Port Data Register	PDR04		R/W
000005 _H	I/O Port P05 - Port Data Register	PDR05		R/W
000006 _H	I/O Port P06 - Port Data Register	PDR06		R/W
000007 _H	I/O Port P07 - Port Data Register	PDR07		R/W
000008 _H	I/O Port P08 - Port Data Register	PDR08		R/W
000009 _H	I/O Port P09 - Port Data Register	PDR09		R/W
00000A _H	I/O Port P10 - Port Data Register	PDR10		R/W
00000B _H	I/O Port P11 - Port Data Register	PDR11		R/W
00000C _H	I/O Port P12 - Port Data Register	PDR12		R/W
00000D _H	I/O Port P13 - Port Data Register	PDR13		R/W
00000E _H	I/O Port P14 - Port Data Register	PDR14		R/W
00000F _H	I/O Port P15 - Port Data Register	PDR15		R/W
000010 _H	Reserved			-
000011 _H	I/O Port P17 - Port Data Register	PDR17		R/W
000012 _H - 000017 _H	Reserved			-
000018 _H	ADC0 - Control Status register Low	ADCSL	ADCS	R/W
000019 _H	ADC0 - Control Status register High	ADCSH		R/W
00001A _H	ADC0 - Data Register Low	ADCRL	ADCR	R
00001B _H	ADC0 - Data Register High	ADCRH		R
00001C _H	ADC0 - Setting Register		ADSR	R/W
00001D _H	ADC0 - Setting Register			R/W
00001E _H	ADC0 - Extended Configuration Register	ADECR		R/W
00001F _H	Reserved			-
000020 _H	FRT0 - Data register of free-running timer		TCDT0	R/W

MB96330 Series

I/O map MB96(F)33x (2 of 41)

Address	Register	Abbreviation 8-bit access	Abbreviation 16-bit access	Access
000021 _H	FRT0 - Data register of free-running timer			R/W
000022 _H	FRT0 - Control status register of free-running timer Low	TCCSL0	TCCS0	R/W
000023 _H	FRT0 - Control status register of free-running timer High	TCCSH0		R/W
000024 _H	FRT1 - Data register of free-running timer		TCDT1	R/W
000025 _H	FRT1 - Data register of free-running timer			R/W
000026 _H	FRT1 - Control status register of free-running timer Low	TCCSL1	TCCS1	R/W
000027 _H	FRT1 - Control status register of free-running timer High	TCCSH1		R/W
000028 _H	OCU0 - Output Compare Control Status	OCS0		R/W
000029 _H	OCU1 - Output Compare Control Status	OCS1		R/W
00002A _H	OCU0 - Compare Register		OCCP0	R/W
00002B _H	OCU0 - Compare Register			R/W
00002C _H	OCU1 - Compare Register		OCCP1	R/W
00002D _H	OCU1 - Compare Register			R/W
00002E _H	OCU2 - Output Compare Control Status	OCS2		R/W
00002F _H	OCU3 - Output Compare Control Status	OCS3		R/W
000030 _H	OCU2 - Compare Register		OCCP2	R/W
000031 _H	OCU2 - Compare Register			R/W
000032 _H	OCU3 - Compare Register		OCCP3	R/W
000033 _H	OCU3 - Compare Register			R/W
000034 _H	OCU4 - Output Compare Control Status	OCS4		R/W
000035 _H	OCU5 - Output Compare Control Status	OCS5		R/W
000036 _H	OCU4 - Compare Register		OCCP4	R/W
000037 _H	OCU4 - Compare Register			R/W
000038 _H	OCU5 - Compare Register		OCCP5	R/W
000039 _H	OCU5 - Compare Register			R/W
00003A _H	OCU6 - Output Compare Control Status	OCS6		R/W
00003B _H	OCU7 - Output Compare Control Status	OCS7		R/W

MB96330 Series

I/O map MB96(F)33x (3 of 41)

Address	Register	Abbreviation 8-bit access	Abbreviation 16-bit access	Access
00003C _H	OCU6 - Compare Register		OCCP6	R/W
00003D _H	OCU6 - Compare Register			R/W
00003E _H	OCU7 - Compare Register		OCCP7	R/W
00003F _H	OCU7 - Compare Register			R/W
000040 _H	ICU0/ICU1 - Control Status Register	ICS01		R/W
000041 _H	ICU0/ICU1 - Edge register	ICE01		R/W
000042 _H	ICU0 - Capture Register Low	IPCPL0	IPCP0	R
000043 _H	ICU0 - Capture Register High	IPCPL0		R
000044 _H	ICU1 - Capture Register Low	IPCPL1	IPCP1	R
000045 _H	ICU1 - Capture Register High	IPCPL1		R
000046 _H	ICU2/ICU3 - Control Status Register	ICS23		R/W
000047 _H	ICU2/ICU3 - Edge register	ICE23		R/W
000048 _H	ICU2 - Capture Register Low	IPCPL2	IPCP2	R
000049 _H	ICU2 - Capture Register High	IPCPL2		R
00004A _H	ICU3 - Capture Register Low	IPCPL3	IPCP3	R
00004B _H	ICU3 - Capture Register High	IPCPL3		R
00004C _H	ICU4/ICU5 - Control Status Register	ICS45		R/W
00004D _H	ICU4/ICU5 - Edge register	ICE45		R/W
00004E _H	ICU4 - Capture Register Low	IPCPL4	IPCP4	R
00004F _H	ICU4 - Capture Register High	IPCPL4		R
000050 _H	ICU5 - Capture Register Low	IPCPL5	IPCP5	R
000051 _H	ICU5 - Capture Register High	IPCPL5		R
000052 _H	ICU6/ICU7 - Control Status Register	ICS67		R/W
000053 _H	ICU6/ICU7 - Edge register	ICE67		R/W
000054 _H	ICU6 - Capture Register Low	IPCPL6	IPCP6	R
000055 _H	ICU6 - Capture Register High	IPCPL6		R
000056 _H	ICU7 - Capture Register Low	IPCPL7	IPCP7	R
000057 _H	ICU7 - Capture Register High	IPCPL7		R
000058 _H	EXTINT0 - External Interrupt Enable Register	ENIRO		R/W

MB96330 Series

I/O map MB96(F)33x (4 of 41)

Address	Register	Abbreviation 8-bit access	Abbreviation 16-bit access	Access
000059 _H	EXTINT0 - External Interrupt Interrupt request Register	EIRR0		R/W
00005A _H	EXTINT0 - External Interrupt Level Select Low	ELVRL0	ELVR0	R/W
00005B _H	EXTINT0 - External Interrupt Level Select High	ELVRH0		R/W
00005C _H	EXTINT1 - External Interrupt Enable Register	ENIR1		R/W
00005D _H	EXTINT1 - External Interrupt Interrupt request Register	EIRR1		R/W
00005E _H	EXTINT1 - External Interrupt Level Select Low	ELVRL1	ELVR1	R/W
00005F _H	EXTINT1 - External Interrupt Level Select High	ELVRH1		R/W
000060 _H	RLT0 - Timer Control Status Register Low	TMCSRL0	TMCSR0	R/W
000061 _H	RLT0 - Timer Control Status Register High	TMCSRH0		R/W
000062 _H	RLT0 - Reload Register - for writing		TMRLR0	W
000062 _H	RLT0 - Reload Register - for reading		TMR0	R
000063 _H	RLT0 - Reload Register - for writing			W
000063 _H	RLT0 - Reload Register - for reading			R
000064 _H	RLT1 - Timer Control Status Register Low	TMCSRL1	TMCSR1	R/W
000065 _H	RLT1 - Timer Control Status Register High	TMCSRH1		R/W
000066 _H	RLT1 - Reload Register - for writing		TMRLR1	W
000066 _H	RLT1 - Reload Register - for reading		TMR1	R
000067 _H	RLT1 - Reload Register - for writing			W
000067 _H	RLT1 - Reload Register - for reading			R
000068 _H	RLT2 - Timer Control Status Register Low	TMCSRL2	TMCSR2	R/W
000069 _H	RLT2 - Timer Control Status Register High	TMCSRH2		R/W
00006A _H	RLT2 - Reload Register - for writing		TMRLR2	W
00006A _H	RLT2 - Reload Register - for reading		TMR2	R
00006B _H	RLT2 - Reload Register - for writing			W
00006B _H	RLT2 - Reload Register - for reading			R
00006C _H	RLT3 - Timer Control Status Register Low	TMCSRL3	TMCSR3	R/W
00006D _H	RLT3 - Timer Control Status Register High	TMCSRH3		R/W
00006E _H	RLT3 - Reload Register - for writing		TMRLR3	W
00006E _H	RLT3 - Reload Register - for reading		TMR3	R

MB96330 Series

I/O map MB96(F)33x (5 of 41)

Address	Register	Abbreviation 8-bit access	Abbreviation 16-bit access	Access
00006FH	RLT3 - Reload Register - for writing			W
00006FH	RLT3 - Reload Register - for reading			R
000070H	RLT6 - Timer Control Status Register Low (dedic. RLT for PPG)	TMCSRL6	TMCSR6	R/W
000071H	RLT6 - Timer Control Status Register High (dedic. RLT for PPG)	TMCSRH6		R/W
000072H	RLT6 - Reload Register (dedic. RLT for PPG) - for writing		TMRLR6	W
000072H	RLT6 - Reload Register (dedic. RLT for PPG) - for reading		TMR6	R
000073H	RLT6 - Reload Register (dedic. RLT for PPG) - for writing			W
000073H	RLT6 - Reload Register (dedic. RLT for PPG) - for reading			R
000074H	PPG3-PPG0 - General Control register 1 Low	GCN1L0	GCN10	R/W
000075H	PPG3-PPG0 - General Control register 1 High	GCN1H0		R/W
000076H	PPG3-PPG0 - General Control register 2 Low	GCN2L0	GCN20	R/W
000077H	PPG3-PPG0 - General Control register 2 High	GCN2H0		R/W
000078H	PPG0 - Timer register		PTMR0	R
000079H	PPG0 - Timer register			R
00007AH	PPG0 - Period setting register		PCSR0	W
00007BH	PPG0 - Period setting register			W
00007CH	PPG0 - Duty cycle register		PDUT0	W
00007DH	PPG0 - Duty cycle register			W
00007EH	PPG0 - Control status register Low	PCNL0	PCN0	R/W
00007FH	PPG0 - Control status register High	PCNH0		R/W
000080H	PPG1 - Timer register		PTMR1	R
000081H	PPG1 - Timer register			R
000082H	PPG1 - Period setting register		PCSR1	W
000083H	PPG1 - Period setting register			W
000084H	PPG1 - Duty cycle register		PDUT1	W
000085H	PPG1 - Duty cycle register			W

MB96330 Series

I/O map MB96(F)33x (6 of 41)

Address	Register	Abbreviation 8-bit access	Abbreviation 16-bit access	Access
000086 _H	PPG1 - Control status register Low	PCNL1	PCN1	R/W
000087 _H	PPG1 - Control status register High	PCNH1		R/W
000088 _H	PPG2 - Timer register		PTMR2	R
000089 _H	PPG2 - Timer register			R
00008A _H	PPG2 - Period setting register		PCSR2	W
00008B _H	PPG2 - Period setting register			W
00008C _H	PPG2 - Duty cycle register		PDUT2	W
00008D _H	PPG2 - Duty cycle register			W
00008E _H	PPG2 - Control status register Low	PCNL2	PCN2	R/W
00008F _H	PPG2 - Control status register High	PCNH2		R/W
000090 _H	PPG3 - Timer register		PTMR3	R
000091 _H	PPG3 - Timer register			R
000092 _H	PPG3 - Period setting register		PCSR3	W
000093 _H	PPG3 - Period setting register			W
000094 _H	PPG3 - Duty cycle register		PDUT3	W
000095 _H	PPG3 - Duty cycle register			W
000096 _H	PPG3 - Control status register Low	PCNL3	PCN3	R/W
000097 _H	PPG3 - Control status register High	PCNH3		R/W
000098 _H	PPG7-PPG4 - General Control register 1 Low	GCN1L1	GCN11	R/W
000099 _H	PPG7-PPG4 - General Control register 1 High	GCN1H1		R/W
00009A _H	PPG7-PPG4 - General Control register 2 Low	GCN2L1	GCN21	R/W
00009B _H	PPG7-PPG4 - General Control register 2 High	GCN2H1		R/W
00009C _H	PPG4 - Timer register		PTMR4	R
00009D _H	PPG4 - Timer register			R
00009E _H	PPG4 - Period setting register		PCSR4	W
00009F _H	PPG4 - Period setting register			W
0000A0 _H	PPG4 - Duty cycle register		PDUT4	W
0000A1 _H	PPG4 - Duty cycle register			W
0000A2 _H	PPG4 - Control status register Low	PCNL4	PCN4	R/W
0000A3 _H	PPG4 - Control status register High	PCNH4		R/W

MB96330 Series

I/O map MB96(F)33x (7 of 41)

Address	Register	Abbreviation 8-bit access	Abbreviation 16-bit access	Access
0000A4 _H	PPG5 - Timer register		PTMR5	R
0000A5 _H	PPG5 - Timer register			R
0000A6 _H	PPG5 - Period setting register		PCSR5	W
0000A7 _H	PPG5 - Period setting register			W
0000A8 _H	PPG5 - Duty cycle register		PDUT5	W
0000A9 _H	PPG5 - Duty cycle register			W
0000AA _H	PPG5 - Control status register Low	PCNL5	PCN5	R/W
0000AB _H	PPG5 - Control status register High	PCNH5		R/W
0000AC _H	I2C0 - Bus Status Register	IBSR0		R
0000AD _H	I2C0 - Bus Control Register	IBCR0		R/W
0000AE _H	I2C0 - Ten bit Slave address Register Low	ITBAL0	ITBA0	R/W
0000AF _H	I2C0 - Ten bit Slave address Register High	ITBAH0		R/W
0000B0 _H	I2C0 - Ten bit Address mask Register Low	ITMKL0	ITMK0	R/W
0000B1 _H	I2C0 - Ten bit Address mask Register High	ITMKH0		R/W
0000B2 _H	I2C0 - Seven bit Slave address Register	ISBA0		R/W
0000B3 _H	I2C0 - Seven bit Address mask Register	ISMK0		R/W
0000B4 _H	I2C0 - Data Register	IDAR0		R/W
0000B5 _H	I2C0 - Clock Control Register	ICCR0		R/W
0000B6 _H	I2C1 - Bus Status Register	IBSR1		R
0000B7 _H	I2C1 - Bus Control Register	IBCR1		R/W
0000B8 _H	I2C1 - Ten bit Slave address Register Low	ITBAL1	ITBA1	R/W
0000B9 _H	I2C1 - Ten bit Slave address Register High	ITBAH1		R/W
0000BA _H	I2C1 - Ten bit Address mask Register Low	ITMKL1	ITMK1	R/W
0000BB _H	I2C1 - Ten bit Address mask Register High	ITMKH1		R/W
0000BC _H	I2C1 - Seven bit Slave address Register	ISBA1		R/W
0000BD _H	I2C1 - Seven bit Address mask Register	ISMK1		R/W
0000BE _H	I2C1 - Data Register	IDAR1		R/W
0000BF _H	I2C1 - Clock Control Register	ICCR1		R/W
0000C0 _H	USART0 - Serial Mode Register	SMR0		R/W
0000C1 _H	USART0 - Serial Control Register	SCR0		R/W

MB96330 Series

I/O map MB96(F)33x (8 of 41)

Address	Register	Abbreviation 8-bit access	Abbreviation 16-bit access	Access
0000C2 _H	USART0 - TX Register	TDR0		W
0000C2 _H	USART0 - RX Register	RDR0		R
0000C3 _H	USART0 - Serial Status	SSR0		R/W
0000C4 _H	USART0 - Control/Com. Register	ECCR0		R/W
0000C5 _H	USART0 - Ext. Status Register	ESCR0		R/W
0000C6 _H	USART0 - Baud Rate Generator Register Low	BGRL0	BGR0	R/W
0000C7 _H	USART0 - Baud Rate Generator Register High	BGRH0		R/W
0000C8 _H	USART0 - Extended Serial Interrupt Register	ESIR0		R/W
0000C9 _H	Reserved			-
0000CA _H	USART1 - Serial Mode Register	SMR1		R/W
0000CB _H	USART1 - Serial Control Register	SCR1		R/W
0000CC _H	USART1 - TX Register	TDR1		W
0000CC _H	USART1 - RX Register	RDR1		R
0000CD _H	USART1 - Serial Status	SSR1		R/W
0000CE _H	USART1 - Control/Com. Register	ECCR1		R/W
0000CF _H	USART1 - Ext. Status Register	ESCR1		R/W
0000D0 _H	USART1 - Baud Rate Generator Register Low	BGRL1	BGR1	R/W
0000D1 _H	USART1 - Baud Rate Generator Register High	BGRH1		R/W
0000D2 _H	USART1 - Extended Serial Interrupt Register	ESIR1		R/W
0000D3 _H	Reserved			-
0000D4 _H	USART2 - Serial Mode Register	SMR2		R/W
0000D5 _H	USART2 - Serial Control Register	SCR2		R/W
0000D6 _H	USART2 - TX Register	TDR2		W
0000D6 _H	USART2 - RX Register	RDR2		R
0000D7 _H	USART2 - Serial Status	SSR2		R/W
0000D8 _H	USART2 - Control/Com. Register	ECCR2		R/W
0000D9 _H	USART2 - Ext. Status Register	ESCR2		R/W
0000DA _H	USART2 - Baud Rate Generator Register Low	BGRL2	BGR2	R/W
0000DB _H	USART2 - Baud Rate Generator Register High	BGRH2		R/W
0000DC _H	USART2 - Extended Serial Interrupt Register	ESIR2		R/W

MB96330 Series

I/O map MB96(F)33x (9 of 41)

Address	Register	Abbreviation 8-bit access	Abbreviation 16-bit access	Access
0000DD _H	Reserved			-
0000DE _H	USART3 - Serial Mode Register	SMR3		R/W
0000DF _H	USART3 - Serial Control Register	SCR3		R/W
0000E0 _H	USART3 - TX Register	TDR3		W
0000E0 _H	USART3 - RX Register	RDR3		R
0000E1 _H	USART3 - Serial Status	SSR3		R/W
0000E2 _H	USART3 - Control/Com. Register	ECCR3		R/W
0000E3 _H	USART3 - Ext. Status Register	ESCR3		R/W
0000E4 _H	USART3 - Baud Rate Generator Register Low	BGRL3	BGR3	R/W
0000E5 _H	USART3 - Baud Rate Generator Register High	BGRH3		R/W
0000E6 _H	USART3 - Extended Serial Interrupt Register	ESIR3		R/W
0000E7 _H - 0000EF _H	Reserved			-
0000F0 _H - 0000FF _H	External Bus area	EXTBUS0		R/W
000100 _H	DMA0 - Buffer address pointer low byte	BAPL0		R/W
000101 _H	DMA0 - Buffer address pointer middle byte	BAPM0		R/W
000102 _H	DMA0 - Buffer address pointer high byte	BAPH0		R/W
000103 _H	DMA0 - DMA control register	DMACS0		R/W
000104 _H	DMA0 - I/O register address pointer low byte	IOAL0	IOA0	R/W
000105 _H	DMA0 - I/O register address pointer high byte	IOAH0		R/W
000106 _H	DMA0 - Data counter low byte	DCTL0	DCT0	R/W
000107 _H	DMA0 - Data counter high byte	DCTH0		R/W
000108 _H	DMA1 - Buffer address pointer low byte	BAPL1		R/W
000109 _H	DMA1 - Buffer address pointer middle byte	BAPM1		R/W
00010A _H	DMA1 - Buffer address pointer high byte	BAPH1		R/W
00010B _H	DMA1 - DMA control register	DMACS1		R/W
00010C _H	DMA1 - I/O register address pointer low byte	IOAL1	IOA1	R/W
00010D _H	DMA1 - I/O register address pointer high byte	IOAH1		R/W
00010E _H	DMA1 - Data counter low byte	DCTL1	DCT1	R/W
00010F _H	DMA1 - Data counter high byte	DCTH1		R/W

MB96330 Series

I/O map MB96(F)33x (10 of 41)

Address	Register	Abbreviation 8-bit access	Abbreviation 16-bit access	Access
000110 _H	DMA2 - Buffer address pointer low byte	BAPL2		R/W
000111 _H	DMA2 - Buffer address pointer middle byte	BAPM2		R/W
000112 _H	DMA2 - Buffer address pointer high byte	BAPH2		R/W
000113 _H	DMA2 - DMA control register	DMACS2		R/W
000114 _H	DMA2 - I/O register address pointer low byte	IOAL2	IOA2	R/W
000115 _H	DMA2 - I/O register address pointer high byte	IOAH2		R/W
000116 _H	DMA2 - Data counter low byte	DCTL2	DCT2	R/W
000117 _H	DMA2 - Data counter high byte	DCTH2		R/W
000118 _H	DMA3 - Buffer address pointer low byte	BAPL3		R/W
000119 _H	DMA3 - Buffer address pointer middle byte	BAPM3		R/W
00011A _H	DMA3 - Buffer address pointer high byte	BAPH3		R/W
00011B _H	DMA3 - DMA control register	DMACS3		R/W
00011C _H	DMA3 - I/O register address pointer low byte	IOAL3	IOA3	R/W
00011D _H	DMA3 - I/O register address pointer high byte	IOAH3		R/W
00011E _H	DMA3 - Data counter low byte	DCTL3	DCT3	R/W
00011F _H	DMA3 - Data counter high byte	DCTH3		R/W
000120 _H	DMA4 - Buffer address pointer low byte	BAPL4		R/W
000121 _H	DMA4 - Buffer address pointer middle byte	BAPM4		R/W
000122 _H	DMA4 - Buffer address pointer high byte	BAPH4		R/W
000123 _H	DMA4 - DMA control register	DMACS4		R/W
000124 _H	DMA4 - I/O register address pointer low byte	IOAL4	IOA4	R/W
000125 _H	DMA4 - I/O register address pointer high byte	IOAH4		R/W
000126 _H	DMA4 - Data counter low byte	DCTL4	DCT4	R/W
000127 _H	DMA4 - Data counter high byte	DCTH4		R/W
000128 _H	DMA5 - Buffer address pointer low byte	BAPL5		R/W
000129 _H	DMA5 - Buffer address pointer middle byte	BAPM5		R/W
00012A _H	DMA5 - Buffer address pointer high byte	BAPH5		R/W
00012B _H	DMA5 - DMA control register	DMACS5		R/W
00012C _H	DMA5 - I/O register address pointer low byte	IOAL5	IOA5	R/W
00012D _H	DMA5 - I/O register address pointer high byte	IOAH5		R/W

MB96330 Series

I/O map MB96(F)33x (11 of 41)

Address	Register	Abbreviation 8-bit access	Abbreviation 16-bit access	Access
00012E _H	DMA5 - Data counter low byte	DCTL5	DCT5	R/W
00012F _H	DMA5 - Data counter high byte	DCTH5		R/W
000130 _H	DMA6 - Buffer address pointer low byte	BAPL6		R/W
000131 _H	DMA6 - Buffer address pointer middle byte	BAPM6		R/W
000132 _H	DMA6 - Buffer address pointer high byte	BAPH6		R/W
000133 _H	DMA6 - DMA control register	DMACS6		R/W
000134 _H	DMA6 - I/O register address pointer low byte	IOAL6	IOA6	R/W
000135 _H	DMA6 - I/O register address pointer high byte	IOAH6		R/W
000136 _H	DMA6 - Data counter low byte	DCTL6	DCT6	R/W
000137 _H	DMA6 - Data counter high byte	DCTH6		R/W
000138 _H	DMA7 - Buffer address pointer low byte	BAPL7		R/W
000139 _H	DMA7 - Buffer address pointer middle byte	BAPM7		R/W
00013A _H	DMA7 - Buffer address pointer high byte	BAPH7		R/W
00013B _H	DMA7 - DMA control register	DMACS7		R/W
00013C _H	DMA7 - I/O register address pointer low byte	IOAL7	IOA7	R/W
00013D _H	DMA7 - I/O register address pointer high byte	IOAH7		R/W
00013E _H	DMA7 - Data counter low byte	DCTL7	DCT7	R/W
00013F _H	DMA7 - Data counter high byte	DCTH7		R/W
000140 _H	DMA8 - Buffer address pointer low byte	BAPL8		R/W
000141 _H	DMA8 - Buffer address pointer middle byte	BAPM8		R/W
000142 _H	DMA8 - Buffer address pointer high byte	BAPH8		R/W
000143 _H	DMA8 - DMA control register	DMACS8		R/W
000144 _H	DMA8 - I/O register address pointer low byte	IOAL8	IOA8	R/W
000145 _H	DMA8 - I/O register address pointer high byte	IOAH8		R/W
000146 _H	DMA8 - Data counter low byte	DCTL8	DCT8	R/W
000147 _H	DMA8 - Data counter high byte	DCTH8		R/W
000148 _H	DMA9 - Buffer address pointer low byte	BAPL9		R/W
000149 _H	DMA9 - Buffer address pointer middle byte	BAPM9		R/W
00014A _H	DMA9 - Buffer address pointer high byte	BAPH9		R/W
00014B _H	DMA9 - DMA control register	DMACS9		R/W

MB96330 Series

I/O map MB96(F)33x (12 of 41)

Address	Register	Abbreviation 8-bit access	Abbreviation 16-bit access	Access
00014C _H	DMA9 - I/O register address pointer low byte	IOAL9	IOA9	R/W
00014D _H	DMA9 - I/O register address pointer high byte	IOAH9		R/W
00014E _H	DMA9 - Data counter low byte	DCTL9	DCT9	R/W
00014F _H	DMA9 - Data counter high byte	DCTH9		R/W
000150 _H - 00017F _H	Reserved			-
000180 _H - 00037F _H	CPU - General Purpose registers (RAM access)	GPR_RAM		R/W
000380 _H	DMA0 - Interrupt select	DISEL0		R/W
000381 _H	DMA1 - Interrupt select	DISEL1		R/W
000382 _H	DMA2 - Interrupt select	DISEL2		R/W
000383 _H	DMA3 - Interrupt select	DISEL3		R/W
000384 _H	DMA4 - Interrupt select	DISEL4		R/W
000385 _H	DMA5 - Interrupt select	DISEL5		R/W
000386 _H	DMA6 - Interrupt select	DISEL6		R/W
000387 _H	DMA7 - Interrupt select	DISEL7		R/W
000388 _H	DMA8 - Interrupt select	DISEL8		R/W
000389 _H	DMA9 - Interrupt select	DISEL9		R/W
00038A _H - 00038F _H	Reserved			-
000390 _H	DMA - Status register low byte	DSRL	DSR	R/W
000391 _H	DMA - Status register high byte	DSRH		R/W
000392 _H	DMA - Stop status register low byte	DSSRL	DSSR	R/W
000393 _H	DMA - Stop status register high byte	DSSRH		R/W
000394 _H	DMA - Enable register low byte	DERL	DER	R/W
000395 _H	DMA - Enable register high byte	DERH		R/W
000396 _H - 00039F _H	Reserved			-
0003A0 _H	Interrupt level register	ILR	ICR	R/W
0003A1 _H	Interrupt index register	IDX		R/W
0003A2 _H	Interrupt vector table base register Low	TBRL	TBR	R/W

MB96330 Series

I/O map MB96(F)33x (13 of 41)

Address	Register	Abbreviation 8-bit access	Abbreviation 16-bit access	Access
0003A3 _H	Interrupt vector table base register High	TBRH		R/W
0003A4 _H	Delayed Interrupt register	DIRR		R/W
0003A5 _H	Non Maskable Interrupt register	NMI		R/W
0003A6 _H - 0003AB _H	Reserved			-
0003AC _H	EDSU communication interrupt selection Low	EDSU2L	EDSU2	R/W
0003AD _H	EDSU communication interrupt selection High	EDSU2H		R/W
0003AE _H	ROM mirror control register	ROMM		R/W
0003AF _H	EDSU configuration register	EDSU		R/W
0003B0 _H	Memory patch control/status register ch 0/1		PFCS0	R/W
0003B1 _H	Memory patch control/status register ch 0/1			R/W
0003B2 _H	Memory patch control/status register ch 2/3		PFCS1	R/W
0003B3 _H	Memory patch control/status register ch 2/3			R/W
0003B4 _H	Memory patch control/status register ch 4/5		PFCS2	R/W
0003B5 _H	Memory patch control/status register ch 4/5			R/W
0003B6 _H	Memory patch control/status register ch 6/7		PFCS3	R/W
0003B7 _H	Memory patch control/status register ch 6/7			R/W
0003B8 _H	Memory Patch function - Patch address 0 low	PFAL0		R/W
0003B9 _H	Memory Patch function - Patch address 0 middle	PFAM0		R/W
0003BA _H	Memory Patch function - Patch address 0 high	PFAH0		R/W
0003BB _H	Memory Patch function - Patch address 1 low	PFAL1		R/W
0003BC _H	Memory Patch function - Patch address 1 middle	PFAM1		R/W
0003BD _H	Memory Patch function - Patch address 1 high	PFAH1		R/W
0003BE _H	Memory Patch function - Patch address 2 low	PFAL2		R/W
0003BF _H	Memory Patch function - Patch address 2 middle	PFAM2		R/W
0003C0 _H	Memory Patch function - Patch address 2 high	PFAH2		R/W
0003C1 _H	Memory Patch function - Patch address 3 low	PFAL3		R/W
0003C2 _H	Memory Patch function - Patch address 3 middle	PFAM3		R/W
0003C3 _H	Memory Patch function - Patch address 3 high	PFAH3		R/W
0003C4 _H	Memory Patch function - Patch address 4 low	PFAL4		R/W

MB96330 Series

I/O map MB96(F)33x (14 of 41)

Address	Register	Abbreviation 8-bit access	Abbreviation 16-bit access	Access
0003C5 _H	Memory Patch function - Patch address 4 middle	PFAM4		R/W
0003C6 _H	Memory Patch function - Patch address 4 high	PFAH4		R/W
0003C7 _H	Memory Patch function - Patch address 5 low	PFAL5		R/W
0003C8 _H	Memory Patch function - Patch address 5 middle	PFAM5		R/W
0003C9 _H	Memory Patch function - Patch address 5 high	PFAH5		R/W
0003CA _H	Memory Patch function - Patch address 6 low	PFAL6		R/W
0003CB _H	Memory Patch function - Patch address 6 middle	PFAM6		R/W
0003CC _H	Memory Patch function - Patch address 6 high	PFAH6		R/W
0003CD _H	Memory Patch function - Patch address 7 low	PFAL7		R/W
0003CE _H	Memory Patch function - Patch address 7 middle	PFAM7		R/W
0003CF _H	Memory Patch function - Patch address 7 high	PFAH7		R/W
0003D0 _H	Memory Patch function - Patch data 0 Low	PFDL0	PFD0	R/W
0003D1 _H	Memory Patch function - Patch data 0 High	PFDH0		R/W
0003D2 _H	Memory Patch function - Patch data 1 Low	PFDL1	PFD1	R/W
0003D3 _H	Memory Patch function - Patch data 1 High	PFDH1		R/W
0003D4 _H	Memory Patch function - Patch data 2 Low	PFDL2	PFD2	R/W
0003D5 _H	Memory Patch function - Patch data 2 High	PFDH2		R/W
0003D6 _H	Memory Patch function - Patch data 3 Low	PFDL3	PFD3	R/W
0003D7 _H	Memory Patch function - Patch data 3 High	PFDH3		R/W
0003D8 _H	Memory Patch function - Patch data 4 Low	PFDL4	PFD4	R/W
0003D9 _H	Memory Patch function - Patch data 4 High	PFDH4		R/W
0003DA _H	Memory Patch function - Patch data 5 Low	PFDL5	PFD5	R/W
0003DB _H	Memory Patch function - Patch data 5 High	PFDH5		R/W
0003DC _H	Memory Patch function - Patch data 6 Low	PFDL6	PFD6	R/W
0003DD _H	Memory Patch function - Patch data 6 High	PFDH6		R/W
0003DE _H	Memory Patch function - Patch data 7 Low	PFDL7	PFD7	R/W
0003DF _H	Memory Patch function - Patch data 7 High	PFDH7		R/W
0003E0 _H - 0003F0 _H	Reserved			-
0003F1 _H	Memory Control Status Register A	MCSRA		R/W

MB96330 Series

I/O map MB96(F)33x (15 of 41)

Address	Register	Abbreviation 8-bit access	Abbreviation 16-bit access	Access
0003F2 _H	Memory Timing Configuration Register A Low	MTCRAL	MTCRA	R/W
0003F3 _H	Memory Timing Configuration Register A High	MTCRAH		R/W
0003F4 _H - 0003F8 _H	Reserved			-
0003F9 _H	Flash Memory Write Control register 1	FMWC1		R/W
0003FA _H	Flash Memory Write Control register 2	FMWC2		R/W
0003FB _H	Flash Memory Write Control register 3	FMWC3		R/W
0003FC _H	Flash Memory Write Control register 4	FMWC4		R/W
0003FD _H	Flash Memory Write Control register 5	FMWC5		R/W
0003FE _H - 0003FF _H	Reserved			-
000400 _H	Standby Mode control register	SMCR		R/W
000401 _H	Clock select register	CKSR		R/W
000402 _H	Clock Stabilization select register	CKSSR		R/W
000403 _H	Clock monitor register	CKMR		R
000404 _H	Clock Frequency control register Low	CKFCRL	CKFCR	R/W
000405 _H	Clock Frequency control register High	CKFCRH		R/W
000406 _H	PLL Control register Low	PLLCRL	PLLCR	R/W
000407 _H	PLL Control register High	PLLCRH		R/W
000408 _H	RC clock timer control register	RCTCR		R/W
000409 _H	Main clock timer control register	MCTCR		R/W
00040A _H	Sub clock timer control register	SCTCR		R/W
00040B _H	Reset cause and clock status register with clear function	RCCSRC		R
00040C _H	Reset configuration register	RCR		R/W
00040D _H	Reset cause and clock status register	RCCSR		R
00040E _H	Watch dog timer configuration register	WDTC		R/W
00040F _H	Watch dog timer clear pattern register	WDTCP		W
000410 _H - 000414 _H	Reserved			-
000415 _H	Clock output activation register	COAR		R/W

MB96330 Series

I/O map MB96(F)33x (16 of 41)

Address	Register	Abbreviation 8-bit access	Abbreviation 16-bit access	Access
000416 _H	Clock output configuration register 0	COCR0		R/W
000417 _H	Clock output configuration register 1	COCR1		R/W
000418 _H	Clock Modulator control register	CMCR		R/W
000419 _H	Reserved			-
00041A _H	Clock Modulator Parameter register Low	CMPRL	CMPR	R/W
00041B _H	Clock Modulator Parameter register High	CMPRH		R/W
00041C _H - 00042B _H	Reserved			-
00042C _H	Voltage Regulator Control register	VRCR		R/W
00042D _H	Clock Input and LVD Control Register	CILCR		R/W
00042E _H - 00042F _H	Reserved			-
000430 _H	I/O Port P00 - Data Direction Register	DDR00		R/W
000431 _H	I/O Port P01 - Data Direction Register	DDR01		R/W
000432 _H	I/O Port P02 - Data Direction Register	DDR02		R/W
000433 _H	I/O Port P03 - Data Direction Register	DDR03		R/W
000434 _H	I/O Port P04 - Data Direction Register	DDR04		R/W
000435 _H	I/O Port P05 - Data Direction Register	DDR05		R/W
000436 _H	I/O Port P06 - Data Direction Register	DDR06		R/W
000437 _H	I/O Port P07 - Data Direction Register	DDR07		R/W
000438 _H	I/O Port P08 - Data Direction Register	DDR08		R/W
000439 _H	I/O Port P09 - Data Direction Register	DDR09		R/W
00043A _H	I/O Port P10 - Data Direction Register	DDR10		R/W
00043B _H	I/O Port P11 - Data Direction Register	DDR11		R/W
00043C _H	I/O Port P12 - Data Direction Register	DDR12		R/W
00043D _H	I/O Port P13 - Data Direction Register	DDR13		R/W
00043E _H	I/O Port P14 - Data Direction Register	DDR14		R/W
00043F _H	I/O Port P15 - Data Direction Register	DDR15		R/W
000440 _H	Reserved			-
000441 _H	I/O Port P17 - Data Direction Register	DDR17		R/W

MB96330 Series

I/O map MB96(F)33x (17 of 41)

Address	Register	Abbreviation 8-bit access	Abbreviation 16-bit access	Access
000442 _H - 000443 _H	Reserved			-
000444 _H	I/O Port P00 - Port Input Enable Register	PIER00		R/W
000445 _H	I/O Port P01 - Port Input Enable Register	PIER01		R/W
000446 _H	I/O Port P02 - Port Input Enable Register	PIER02		R/W
000447 _H	I/O Port P03 - Port Input Enable Register	PIER03		R/W
000448 _H	I/O Port P04 - Port Input Enable Register	PIER04		R/W
000449 _H	I/O Port P05 - Port Input Enable Register	PIER05		R/W
00044A _H	I/O Port P06 - Port Input Enable Register	PIER06		R/W
00044B _H	I/O Port P07 - Port Input Enable Register	PIER07		R/W
00044C _H	I/O Port P08 - Port Input Enable Register	PIER08		R/W
00044D _H	I/O Port P09 - Port Input Enable Register	PIER09		R/W
00044E _H	I/O Port P10 - Port Input Enable Register	PIER10		R/W
00044F _H	I/O Port P11 - Port Input Enable Register	PIER11		R/W
000450 _H	I/O Port P12 - Port Input Enable Register	PIER12		R/W
000451 _H	I/O Port P13 - Port Input Enable Register	PIER13		R/W
000452 _H	I/O Port P14 - Port Input Enable Register	PIER14		R/W
000453 _H	I/O Port P15 - Port Input Enable Register	PIER15		R/W
000454 _H	Reserved			-
000455 _H	I/O Port P17 - Port Input Enable Register	PIER17		R/W
000456 _H - 000457 _H	Reserved			-
000458 _H	I/O Port P00 - Port Input Level Register	PILR00		R/W
000459 _H	I/O Port P01 - Port Input Level Register	PILR01		R/W
00045A _H	I/O Port P02 - Port Input Level Register	PILR02		R/W
00045B _H	I/O Port P03 - Port Input Level Register	PILR03		R/W
00045C _H	I/O Port P04 - Port Input Level Register	PILR04		R/W
00045D _H	I/O Port P05 - Port Input Level Register	PILR05		R/W
00045E _H	I/O Port P06 - Port Input Level Register	PILR06		R/W
00045F _H	I/O Port P07 - Port Input Level Register	PILR07		R/W
000460 _H	I/O Port P08 - Port Input Level Register	PILR08		R/W

MB96330 Series

I/O map MB96(F)33x (18 of 41)

Address	Register	Abbreviation 8-bit access	Abbreviation 16-bit access	Access
000461 _H	I/O Port P09 - Port Input Level Register	PILR09		R/W
000462 _H	I/O Port P10 - Port Input Level Register	PILR10		R/W
000463 _H	I/O Port P11 - Port Input Level Register	PILR11		R/W
000464 _H	I/O Port P12 - Port Input Level Register	PILR12		R/W
000465 _H	I/O Port P13 - Port Input Level Register	PILR13		R/W
000466 _H	I/O Port P14 - Port Input Level Register	PILR14		R/W
000467 _H	I/O Port P15 - Port Input Level Register	PILR15		R/W
000468 _H	Reserved			-
000469 _H	I/O Port P17 - Port Input Level Register	PILR17		R/W
00046A _H - 00046B _H	Reserved			-
00046C _H	I/O Port P00 - Extended Port Input Level Register	EPILR00		R/W
00046D _H	I/O Port P01 - Extended Port Input Level Register	EPILR01		R/W
00046E _H	I/O Port P02 - Extended Port Input Level Register	EPILR02		R/W
00046F _H	I/O Port P03 - Extended Port Input Level Register	EPILR03		R/W
000470 _H	I/O Port P04 - Extended Port Input Level Register	EPILR04		R/W
000471 _H	I/O Port P05 - Extended Port Input Level Register	EPILR05		R/W
000472 _H	I/O Port P06 - Extended Port Input Level Register	EPILR06		R/W
000473 _H	I/O Port P07 - Extended Port Input Level Register	EPILR07		R/W
000474 _H	I/O Port P08 - Extended Port Input Level Register	EPILR08		R/W
000475 _H	I/O Port P09 - Extended Port Input Level Register	EPILR09		R/W
000476 _H	I/O Port P10 - Extended Port Input Level Register	EPILR10		R/W
000477 _H	I/O Port P11 - Extended Port Input Level Register	EPILR11		R/W
000478 _H	I/O Port P12 - Extended Port Input Level Register	EPILR12		R/W
000479 _H	I/O Port P13 - Extended Port Input Level Register	EPILR13		R/W
00047A _H	I/O Port P14 - Extended Port Input Level Register	EPILR14		R/W
00047B _H	I/O Port P15 - Extended Port Input Level Register	EPILR15		R/W
00047C _H	Reserved			-
00047D _H	I/O Port P17 - Extended Port Input Level Register	EPILR17		R/W
00047E _H - 00047F _H	Reserved			-

MB96330 Series

I/O map MB96(F)33x (19 of 41)

Address	Register	Abbreviation 8-bit access	Abbreviation 16-bit access	Access
000480 _H	I/O Port P00 - Port Output Drive Register	PODR00		R/W
000481 _H	I/O Port P01 - Port Output Drive Register	PODR01		R/W
000482 _H	I/O Port P02 - Port Output Drive Register	PODR02		R/W
000483 _H	I/O Port P03 - Port Output Drive Register	PODR03		R/W
000484 _H	I/O Port P04 - Port Output Drive Register	PODR04		R/W
000485 _H	I/O Port P05 - Port Output Drive Register	PODR05		R/W
000486 _H	I/O Port P06 - Port Output Drive Register	PODR06		R/W
000487 _H	I/O Port P07 - Port Output Drive Register	PODR07		R/W
000488 _H	I/O Port P08 - Port Output Drive Register	PODR08		R/W
000489 _H	I/O Port P09 - Port Output Drive Register	PODR09		R/W
00048A _H	I/O Port P10 - Port Output Drive Register	PODR10		R/W
00048B _H	I/O Port P11 - Port Output Drive Register	PODR11		R/W
00048C _H	I/O Port P12 - Port Output Drive Register	PODR12		R/W
00048D _H	I/O Port P13 - Port Output Drive Register	PODR13		R/W
00048E _H	I/O Port P14 - Port Output Drive Register	PODR14		R/W
00048F _H	I/O Port P15 - Port Output Drive Register	PODR15		R/W
000490 _H	Reserved			-
000491 _H	I/O Port P17 - Port Output Drive Register	PODR17		R/W
000492 _H - 0004A7 _H	Reserved			-
0004A8 _H	I/O Port P00 - Pull-Up resistor Control Register	PUCR00		R/W
0004A9 _H	I/O Port P01 - Pull-Up resistor Control Register	PUCR01		R/W
0004AA _H	I/O Port P02 - Pull-Up resistor Control Register	PUCR02		R/W
0004AB _H	I/O Port P03 - Pull-Up resistor Control Register	PUCR03		R/W
0004AC _H	I/O Port P04 - Pull-Up resistor Control Register	PUCR04		R/W
0004AD _H	I/O Port P05 - Pull-Up resistor Control Register	PUCR05		R/W
0004AE _H	I/O Port P06 - Pull-Up resistor Control Register	PUCR06		R/W
0004AF _H	I/O Port P07 - Pull-Up resistor Control Register	PUCR07		R/W
0004B0 _H	I/O Port P08 - Pull-Up resistor Control Register	PUCR08		R/W
0004B1 _H	I/O Port P09 - Pull-Up resistor Control Register	PUCR09		R/W

MB96330 Series

I/O map MB96(F)33x (20 of 41)

Address	Register	Abbreviation 8-bit access	Abbreviation 16-bit access	Access
0004B2 _H	I/O Port P10 - Pull-Up resistor Control Register	PUCR10		R/W
0004B3 _H	I/O Port P11 - Pull-Up resistor Control Register	PUCR11		R/W
0004B4 _H	I/O Port P12 - Pull-Up resistor Control Register	PUCR12		R/W
0004B5 _H	I/O Port P13 - Pull-Up resistor Control Register	PUCR13		R/W
0004B6 _H	I/O Port P14 - Pull-Up resistor Control Register	PUCR14		R/W
0004B7 _H	I/O Port P15 - Pull-Up resistor Control Register	PUCR15		R/W
0004B8 _H	Reserved			-
0004B9 _H	I/O Port P17 - Pull-Up resistor Control Register	PUCR17		R/W
0004BA _H - 0004BB _H	Reserved			-
0004BC _H	I/O Port P00 - External Pin State Register	EPSR00		R
0004BD _H	I/O Port P01 - External Pin State Register	EPSR01		R
0004BE _H	I/O Port P02 - External Pin State Register	EPSR02		R
0004BF _H	I/O Port P03 - External Pin State Register	EPSR03		R
0004C0 _H	I/O Port P04 - External Pin State Register	EPSR04		R
0004C1 _H	I/O Port P05 - External Pin State Register	EPSR05		R
0004C2 _H	I/O Port P06 - External Pin State Register	EPSR06		R
0004C3 _H	I/O Port P07 - External Pin State Register	EPSR07		R
0004C4 _H	I/O Port P08 - External Pin State Register	EPSR08		R
0004C5 _H	I/O Port P09 - External Pin State Register	EPSR09		R
0004C6 _H	I/O Port P10 - External Pin State Register	EPSR10		R
0004C7 _H	I/O Port P11 - External Pin State Register	EPSR11		R
0004C8 _H	I/O Port P12 - External Pin State Register	EPSR12		R
0004C9 _H	I/O Port P13 - External Pin State Register	EPSR13		R
0004CA _H	I/O Port P14 - External Pin State Register	EPSR14		R
0004CB _H	I/O Port P15 - External Pin State Register	EPSR15		R
0004CC _H	Reserved			-
0004CD _H	I/O Port P17 - External Pin State Register	EPSR17		R
0004CE _H - 0004CF _H	Reserved			-
0004D0 _H	ADC analog input enable register 0	ADER0		R/W

MB96330 Series

I/O map MB96(F)33x (21 of 41)

Address	Register	Abbreviation 8-bit access	Abbreviation 16-bit access	Access
0004D1H	ADC analog input enable register 1	ADER1		R/W
0004D2H	ADC analog input enable register 2	ADER2		R/W
0004D3H	ADC analog input enable register 3	ADER3		R/W
0004D4H	ADC analog input enable register 4	ADER4		R/W
0004D5H	Reserved			-
0004D6H	Peripheral Resource Relocation Register 0	PRRR0		R/W
0004D7H	Peripheral Resource Relocation Register 1	PRRR1		R/W
0004D8H	Peripheral Resource Relocation Register 2	PRRR2		R/W
0004D9H	Peripheral Resource Relocation Register 3	PRRR3		R/W
0004DAH	Peripheral Resource Relocation Register 4	PRRR4		R/W
0004DBH	Peripheral Resource Relocation Register 5	PRRR5		R/W
0004DCH	Peripheral Resource Relocation Register 6	PRRR6		R/W
0004DDH	Peripheral Resource Relocation Register 7	PRRR7		R/W
0004DEH	Peripheral Resource Relocation Register 8	PRRR8		R/W
0004DFH	Peripheral Resource Relocation Register 9	PRRR9		R/W
0004E0H	RTC - Sub Second Register L	WTBRL0	WTBR0	R/W
0004E1H	RTC - Sub Second Register M	WTBRH0		R/W
0004E2H	RTC - Sub-Second Register H	WTBR1		R/W
0004E3H	RTC - Second Register	WTSR		R/W
0004E4H	RTC - Minutes	WTMR		R/W
0004E5H	RTC - Hour	WTHR		R/W
0004E6H	RTC - Timer Control Extended Register	WTCER		R/W
0004E7H	RTC - Clock select register	WTCKSR		R/W
0004E8H	RTC - Timer Control Register Low	WTCRL	WTCR	R/W
0004E9H	RTC - Timer Control Register High	WTCRH		R/W
0004EAH	CAL - Calibration unit Control register	CUCR		R/W
0004EBH	Reserved			-
0004ECH	CAL - Duration Timer Data Register Low	CUTDL	CUTD	R/W
0004EDH	CAL - Duration Timer Data Register High	CUTDH		R/W
0004EEH	CAL - Calibration Timer Register 2 Low	CUTR2L	CUTR2	R

MB96330 Series

I/O map MB96(F)33x (22 of 41)

Address	Register	Abbreviation 8-bit access	Abbreviation 16-bit access	Access
0004EF _H	CAL - Calibration Timer Register 2 High	CUTR2H		R
0004F0 _H	CAL - Calibration Timer Register 1 Low	CUTR1L	CUTR1	R
0004F1 _H	CAL - Calibration Timer Register 1 High	CUTR1H		R
0004F2 _H - 0004F9 _H	Reserved			-
0004FA _H	RLT - Timer input select (for Cascading)	TMISR		R/W
0004FB _H - 0004FF _H	Reserved			-
000500 _H	FRT2 - Data register of free-running timer		TCDT2	R/W
000501 _H	FRT2 - Data register of free-running timer			R/W
000502 _H	FRT2 - Control status register of free-running timer Low	TCCSL2	TCCS2	R/W
000503 _H	FRT2 - Control status register of free-running timer High	TCCSH2		R/W
000504 _H	FRT3 - Data register of free-running timer		TCDT3	R/W
000505 _H	FRT3 - Data register of free-running timer			R/W
000506 _H	FRT3 - Control status register of free-running timer Low	TCCSL3	TCCS3	R/W
000507 _H	FRT3 - Control status register of free-running timer High	TCCSH3		R/W
000508 _H	OCU8 - Output Compare Control Status	OCS8		R/W
000509 _H	OCU9 - Output Compare Control Status	OCS9		R/W
00050A _H	OCU8 - Compare Register		OCCP8	R/W
00050B _H	OCU8 - Compare Register			R/W
00050C _H	OCU9 - Compare Register		OCCP9	R/W
00050D _H	OCU9 - Compare Register			R/W
00050E _H	OCU10 - Output Compare Control Status	OCS10		R/W
00050F _H	OCU11 - Output Compare Control Status	OCS11		R/W
000510 _H	OCU10 - Compare Register		OCCP10	R/W
000511 _H	OCU10 - Compare Register			R/W
000512 _H	OCU11 - Compare Register		OCCP11	R/W
000513 _H	OCU11 - Compare Register			R/W

MB96330 Series

I/O map MB96(F)33x (23 of 41)

Address	Register	Abbreviation 8-bit access	Abbreviation 16-bit access	Access
000514 _H	ICU8/ICU9 - Control Status Register	ICS89		R/W
000515 _H	ICU8/ICU9 - Edge Register	ICE89		R/W
000516 _H	ICU8 - Capture Register Low	IPCPL8	IPCP8	R
000517 _H	ICU8 - Capture Register High	IPCPL8		R
000518 _H	ICU9 - Capture Register Low	IPCPL9	IPCP9	R
000519 _H	ICU9 - Capture Register High	IPCPL9		R
00051A _H - 000529 _H	Reserved			-
00052A _H	USART5 - Serial Mode Register	SMR5		R/W
00052B _H	USART5 - Serial Control Register	SCR5		R/W
00052C _H	USART5 - RX Register	TDR5		W
00052C _H	USART5 - TX Register	RDR5		R
00052D _H	USART5 - Serial Status	SSR5		R/W
00052E _H	USART5 - Control/Com. Register	ECCR5		R/W
00052F _H	USART5 - Ext. Status Register	ESCR5		R/W
000530 _H	USART5 - Baud Rate Generator Register Low	BGRL5	BGR5	R/W
000531 _H	USART5 - Baud Rate Generator Register High	BGRH5		R/W
000532 _H	USART5 - Extended Serial Interrupt Register	ESIR5		R/W
000533 _H - 00053D _H	Reserved			-
00053E _H	USART7 - Serial Mode Register	SMR7		R/W
00053F _H	USART7 - Serial Control Register	SCR7		R/W
000540 _H	USART7 - Serial TX Register	TDR7		W
000540 _H	USART7 - Serial RX Register	RDR7		R
000541 _H	USART7 - Serial Status Register	SSR7		R/W
000542 _H	USART7 - Ext. Control/Com. Register	ECCR7		R/W
000543 _H	USART7 - Ext. Status Com. Register	ESCR7		R/W
000544 _H	USART7 - Baud Rate Generator Register Low	BGRL7	BGR7	R/W
000545 _H	USART7 - Baud Rate Generator Register High	BGRH7		R/W
000546 _H	USART7 - Extended Serial Interrupt Register	ESIR7		R/W
000547 _H	Reserved			-

MB96330 Series

I/O map MB96(F)33x (24 of 41)

Address	Register	Abbreviation 8-bit access	Abbreviation 16-bit access	Access
000548 _H	USART8 - Serial Mode Register	SMR8		R/W
000549 _H	USART8 - Serial Control Register	SCR8		R/W
00054A _H	USART8 - Serial TX Register	TDR8		W
00054A _H	USART8 - Serial RX Register	RDR8		R
00054B _H	USART8 - Serial Status Register	SSR8		R/W
00054C _H	USART8 - Ext. Control/Com. Register	ECCR8		R/W
00054D _H	USART8 - Ext. Status Com. Register	ESCR8		R/W
00054E _H	USART8 - Baud Rate Generator Register Low	BGRL8	BGR8	R/W
00054F _H	USART8 - Baud Rate Generator Register High	BGRH8		R/W
000550 _H	USART8 - Extended Serial Interrupt Register	ESIR8		R/W
000551 _H	Reserved			-
000552 _H	USART9 - Serial Mode Register	SMR9		R/W
000553 _H	USART9 - Serial Control Register	SCR9		R/W
000554 _H	USART9 - Serial TX Register	TDR9		W
000554 _H	USART9 - Serial RX Register	RDR9		R
000555 _H	USART9 - Serial Status Register	SSR9		R/W
000556 _H	USART9 - Ext. Control/Com. Register	ECCR9		R/W
000557 _H	USART9 - Ext. Status Com. Register	ESCR9		R/W
000558 _H	USART9 - Baud Rate Generator Register Low	BGRL9	BGR9	R/W
000559 _H	USART9 - Baud Rate Generator Register High	BGRH9		R/W
00055A _H	USART9 - Extended Serial Interrupt Register	ESIR9		R/W
00055B _H - 00055F _H	Reserved			-
000560 _H	ALARM0 - Control Status Register	ACSR0		R/W
000561 _H	ALARM0 - Extended Control Status Register	AECSR0		R/W
000562 _H	ALARM1 - Control Status Register	ACSR1		R/W
000563 _H	ALARM1 - Extended Control Status Register	AECSR1		R/W
000564 _H	PPG6 - Timer register		PTMR6	R
000565 _H	PPG6 - Timer register			R
000566 _H	PPG6 - Period setting register		PCSR6	W

MB96330 Series

I/O map MB96(F)33x (25 of 41)

Address	Register	Abbreviation 8-bit access	Abbreviation 16-bit access	Access
000567 _H	PPG6 - Period setting register			W
000568 _H	PPG6 - Duty cycle register		PDUT6	W
000569 _H	PPG6 - Duty cycle register			W
00056A _H	PPG6 - Control status register Low	PCNL6	PCN6	R/W
00056B _H	PPG6 - Control status register High	PCNH6		R/W
00056C _H	PPG7 - Timer register		PTMR7	R
00056D _H	PPG7 - Timer register			R
00056E _H	PPG7 - Period setting register		PCSR7	W
00056F _H	PPG7 - Period setting register			W
000570 _H	PPG7 - Duty cycle register		PDUT7	W
000571 _H	PPG7 - Duty cycle register			W
000572 _H	PPG7 - Control status register Low	PCNL7	PCN7	R/W
000573 _H	PPG7 - Control status register High	PCNH7		R/W
000574 _H	PPG11-PPG8 - General Control register 1 Low	GCN1L2	GCN12	R/W
000575 _H	PPG11-PPG8 - General Control register 1 High	GCN1H2		R/W
000576 _H	PPG11-PPG8 - General Control register 2 Low	GCN2L2	GCN22	R/W
000577 _H	PPG11-PPG8 - General Control register 2 High	GCN2H2		R/W
000578 _H	PPG8 - Timer register		PTMR8	R
000579 _H	PPG8 - Timer register			R
00057A _H	PPG8 - Period setting register		PCSR8	W
00057B _H	PPG8 - Period setting register			W
00057C _H	PPG8 - Duty cycle register		PDUT8	W
00057D _H	PPG8 - Duty cycle register			W
00057E _H	PPG8 - Control status register Low	PCNL8	PCN8	R/W
00057F _H	PPG8 - Control status register High	PCNH8		R/W
000580 _H	PPG9 - Timer register		PTMR9	R
000581 _H	PPG9 - Timer register			R
000582 _H	PPG9 - Period setting register		PCSR9	W
000583 _H	PPG9 - Period setting register			W
000584 _H	PPG9 - Duty cycle register		PDUT9	W

MB96330 Series

I/O map MB96(F)33x (26 of 41)

Address	Register	Abbreviation 8-bit access	Abbreviation 16-bit access	Access
000585 _H	PPG9 - Duty cycle register			W
000586 _H	PPG9 - Control status register Low	PCNL9	PCN9	R/W
000587 _H	PPG9 - Control status register High	PCNH9		R/W
000588 _H	PPG10 - Timer register		PTMR10	R
000589 _H	PPG10 - Timer register			R
00058A _H	PPG10 - Period setting register		PCSR10	W
00058B _H	PPG10 - Period setting register			W
00058C _H	PPG10 - Duty cycle register		PDUT10	W
00058D _H	PPG10 - Duty cycle register			W
00058E _H	PPG10 - Control status register Low	PCNL10	PCN10	R/W
00058F _H	PPG10 - Control status register High	PCNH10		R/W
000590 _H	PPG11 - Timer register		PTMR11	R
000591 _H	PPG11 - Timer register			R
000592 _H	PPG11 - Period setting register		PCSR11	W
000593 _H	PPG11 - Period setting register			W
000594 _H	PPG11 - Duty cycle register		PDUT11	W
000595 _H	PPG11 - Duty cycle register			W
000596 _H	PPG11 - Control status register Low	PCNL11	PCN11	R/W
000597 _H	PPG11 - Control status register High	PCNH11		R/W
000598 _H	PPG15-PPG12 - General Control register 1 Low	GCN1L3	GCN13	R/W
000599 _H	PPG15-PPG12 - General Control register 1 High	GCN1H3		R/W
00059A _H	PPG15-PPG12 - General Control register 2 Low	GCN2L3	GCN23	R/W
00059B _H	PPG15-PPG12 - General Control register 2 High	GCN2H3		R/W
00059C _H	PPG12 - Timer register		PTMR12	R
00059D _H	PPG12 - Timer register			R
00059E _H	PPG12 - Period setting register		PCSR12	W
00059F _H	PPG12 - Period setting register			W
0005A0 _H	PPG12 - Duty cycle register		PDUT12	W
0005A1 _H	PPG12 - Duty cycle register			W
0005A2 _H	PPG12 - Control status register Low	PCNL12	PCN12	R/W

MB96330 Series

I/O map MB96(F)33x (27 of 41)

Address	Register	Abbreviation 8-bit access	Abbreviation 16-bit access	Access
0005A3 _H	PPG12 - Control status register High	PCNH12		R/W
0005A4 _H	PPG13 - Timer register		PTMR13	R
0005A5 _H	PPG13 - Timer register			R
0005A6 _H	PPG13 - Period setting register		PCSR13	W
0005A7 _H	PPG13 - Period setting register			W
0005A8 _H	PPG13 - Duty cycle register		PDUT13	W
0005A9 _H	PPG13 - Duty cycle register			W
0005AA _H	PPG13 - Control status register Low	PCNL13	PCN13	R/W
0005AB _H	PPG13 - Control status register High	PCNH13		R/W
0005AC _H	PPG14 - Timer register		PTMR14	R
0005AD _H	PPG14 - Timer register			R
0005AE _H	PPG14 - Period setting register		PCSR14	W
0005AF _H	PPG14 - Period setting register			W
0005B0 _H	PPG14 - Duty cycle register		PDUT14	W
0005B1 _H	PPG14 - Duty cycle register			W
0005B2 _H	PPG14 - Control status register Low	PCNL14	PCN14	R/W
0005B3 _H	PPG14 - Control status register High	PCNH14		R/W
0005B4 _H	PPG15 - Timer register		PTMR15	R
0005B5 _H	PPG15 - Timer register			R
0005B6 _H	PPG15 - Period setting register		PCSR15	W
0005B7 _H	PPG15 - Period setting register			W
0005B8 _H	PPG15 - Duty cycle register		PDUT15	W
0005B9 _H	PPG15 - Duty cycle register			W
0005BA _H	PPG15 - Control status register Low	PCNL15	PCN15	R/W
0005BB _H	PPG15 - Control status register High	PCNH15		R/W
0005BC _H	PPG19-PPG16 - General Control register 1 Low	GCN1L4	GCN14	R/W
0005BD _H	PPG19-PPG16 - General Control register 1 High	GCN1H4		R/W
0005BE _H	PPG19-PPG16 - General Control register 2 Low	GCN2L4	GCN24	R/W
0005BF _H	PPG19-PPG16 - General Control register 2 High	GCN2H4		R/W
0005C0 _H	PPG16 - Timer register		PTMR16	R

MB96330 Series

I/O map MB96(F)33x (28 of 41)

Address	Register	Abbreviation 8-bit access	Abbreviation 16-bit access	Access
0005C1H	PPG16 - Timer register			R
0005C2H	PPG16 - Period setting register		PCSR16	W
0005C3H	PPG16 - Period setting register			W
0005C4H	PPG16 - Duty cycle register		PDUT16	W
0005C5H	PPG16 - Duty cycle register			W
0005C6H	PPG16 - Control status register Low	PCNL16	PCN16	R/W
0005C7H	PPG16 - Control status register High	PCNH16		R/W
0005C8H	PPG17 - Timer register		PTMR17	R
0005C9H	PPG17 - Timer register			R
0005CAH	PPG17 - Period setting register		PCSR17	W
0005CBH	PPG17 - Period setting register			W
0005CCH	PPG17 - Duty cycle register		PDUT17	W
0005CDH	PPG17 - Duty cycle register			W
0005CEH	PPG17 - Control status register Low	PCNL17	PCN17	R/W
0005CFH	PPG17 - Control status register High	PCNH17		R/W
0005D0H	PPG18 - Timer register		PTMR18	R
0005D1H	PPG18 - Timer register			R
0005D2H	PPG18 - Period setting register		PCSR18	W
0005D3H	PPG18 - Period setting register			W
0005D4H	PPG18 - Duty cycle register		PDUT18	W
0005D5H	PPG18 - Duty cycle register			W
0005D6H	PPG18 - Control status register Low	PCNL18	PCN18	R/W
0005D7H	PPG18 - Control status register High	PCNH18		R/W
0005D8H	PPG19 - Timer register		PTMR19	R
0005D9H	PPG19 - Timer register			R
0005DAH	PPG19 - Period setting register		PCSR19	W
0005DBH	PPG19 - Period setting register			W
0005DC_H	PPG19 - Duty cycle register		PDUT19	W
0005DDH	PPG19 - Duty cycle register			W
0005DEH	PPG19 - Control status register Low	PCNL19	PCN19	R/W

MB96330 Series

I/O map MB96(F)33x (29 of 41)

Address	Register	Abbreviation 8-bit access	Abbreviation 16-bit access	Access
0005DF _H	PPG19 - Control status register High	PCNH19		R/W
0005E0 _H - 00065F _H	Reserved			-
000660 _H	Peripheral Resource Relocation Register 10	PRRR10		R/W
000661 _H	Peripheral Resource Relocation Register 11	PRRR11		R/W
000662 _H	Peripheral Resource Relocation Register 12	PRRR12		R/W
000663 _H	Peripheral Resource Relocation Register 13	PRRR13		W
000664 _H - 00069F _H	Reserved			-
0006A0 _H	USB - Host Control register Low	HCNTL0	HCNT0	R/W
0006A1 _H	USB - Host Control register High	HCNTH0		R/W
0006A2 _H	USB - Host Interrupt Register	HIRQ0		R/W
0006A3 _H	USB - Host Error Status Register	HERR0		R/W
0006A4 _H	USB - Host State Status Register	HSTATE0		R/W
0006A5 _H	USB - Host SOF Int. Frame Compare Register	HFCOMP0		R/W
0006A6 _H	USB - Host Retry Timer Setting Register Low	HRTIMERL0		R/W
0006A7 _H	USB - Host Retry Timer Setting Register Middle	HRTIMERM0		R/W
0006A8 _H	USB - Host Retry Timer Setting Register High	HRTIMERH0		R/W
0006A9 _H	USB - Host Address Register	HADR0		R/W
0006AA _H	USB - Host EOF Setting Register Low	HEOFL0	HEOF0	R/W
0006AB _H	USB - Host EOF Setting Register High	HEOFH0		R/W
0006AC _H	USB - Host Frame Register Low	HFRAMELO	HFRAME0	R/W
0006AD _H	USB - Host Frame Register High	HFRAMEH0		R/W
0006AE _H	USB - Host Token End Point Register	HTOKEN0		R/W
0006AF _H	Reserved			-
0006B0 _H	USB - UDC Control Register	UDCC0		R/W
0006B1 _H	Reserved			-
0006B2 _H	USB - EP0 Control Register Low	EP0CL0	EP0C0	R/W
0006B3 _H	USB - EP0 Control Register High	EP0CH0		R/W
0006B4 _H	USB - EP1 Control Register Low	EP1CL0	EP1C0	R/W
0006B5 _H	USB - EP1 Control Register High - non public	EP1CH0		R/W

MB96330 Series

I/O map MB96(F)33x (30 of 41)

Address	Register	Abbreviation 8-bit access	Abbreviation 16-bit access	Access
0006B6 _H	USB - EP2 Control Register Low	EP2CL0	EP2C0	R/W
0006B7 _H	USB - EP2 Control Register High	EP2CH0		R/W
0006B8 _H	USB - EP3 Control Register Low	EP3CL0	EP3C0	R/W
0006B9 _H	USB - EP3 Control Register High	EP3CH0		R/W
0006BA _H	USB - EP4 Control Register Low	EP4CL0	EP4C0	R/W
0006BB _H	USB - EP4 Control Register High	EP4CH0		R/W
0006BC _H	USB - EP5 Control Register Low	EP5CL0	EP5C0	R/W
0006BD _H	USB - EP5 Control Register High	EP5CH0		R/W
0006BE _H	USB - Timer Stamp Register Low	TMSPL0	TMSP0	R/W
0006BF _H	USB - Timer Stamp Register High	TMSPH0		R/W
0006C0 _H	USB - UDC Status Register	UDCS0		R/W
0006C1 _H	USB - UDC Interrupt Enable Register	UDCIE0		R/W
0006C2 _H	USB - EP0I Status Register Low	EP0ISL0	EP0IS0	W
0006C3 _H	USB - EP0I Status Register High	EP0ISH0		R/W
0006C4 _H	USB - EP0O Status Register Low	EP0OSL0	EP0OS0	R/W
0006C5 _H	USB - EP0O Status Register High	EP0OSH0		R/W
0006C6 _H	USB - EP1 Status Register Low	EP1SL0	EP1S0	R/W
0006C7 _H	USB - EP1 Status Register High	EP1SH0		R/W
0006C8 _H	USB - EP2 Status Register Low	EP2SL0	EP2S0	R/W
0006C9 _H	USB - EP2 Status Register High	EP2SH0		R/W
0006CA _H	USB - EP3 Status Register Low	EP3SL0	EP3S0	R/W
0006CB _H	USB - EP3 Status Register High	EP3SH0		R/W
0006CC _H	USB - EP4 Status Register Low	EP4SL0	EP4S0	R/W
0006CD _H	USB - EP4 Status Register High	EP4SH0		R/W
0006CE _H	USB - EP5 Status Register Low	EP5SL0	EP5S0	R/W
0006CF _H	USB - EP5 Status Register High	EP5SH0		R/W
0006D0 _H	USB - EP0 Data register Low	EP0DTL0	EP0DT0	R/W
0006D1 _H	USB - EP0 Data register High	EP0DTH0		R/W
0006D2 _H	USB - EP1 Data register Low	EP1DTL0	EP1DT0	R/W
0006D3 _H	USB - EP1 Data register High	EP1DTH0		R/W

MB96330 Series

I/O map MB96(F)33x (31 of 41)

Address	Register	Abbreviation 8-bit access	Abbreviation 16-bit access	Access
0006D4 _H	USB - EP2 Data register Low	EP2DTL0	EP2DT0	R/W
0006D5 _H	USB - EP2 Data register High	EP2DTH0		R/W
0006D6 _H	USB - EP3 Data register Low	EP3DTL0	EP3DT0	R/W
0006D7 _H	USB - EP3 Data register High	EP3DTH0		R/W
0006D8 _H	USB - EP4 Data register Low	EP4DTL0	EP4DT0	R/W
0006D9 _H	USB - EP4 Data register High	EP4DTH0		R/W
0006DA _H	USB - EP5 Data register Low	EP5DTL0	EP5DT0	R/W
0006DB _H	USB - EP5 Data register High	EP5DTH0		R/W
0006DC _H - 0006DF _H	Reserved			-
0006E0 _H	External Bus - Area configuration register 0 Low	EACL0	EAC0	R/W
0006E1 _H	External Bus - Area configuration register 0 High	EACH0		R/W
0006E2 _H	External Bus - Area configuration register 1 Low	EACL1	EAC1	R/W
0006E3 _H	External Bus - Area configuration register 1 High	EACH1		R/W
0006E4 _H	External Bus - Area configuration register 2 Low	EACL2	EAC2	R/W
0006E5 _H	External Bus - Area configuration register 2 High	EACH2		R/W
0006E6 _H	External Bus - Area configuration register 3 Low	EACL3	EAC3	R/W
0006E7 _H	External Bus - Area configuration register 3 High	EACH3		R/W
0006E8 _H	External Bus - Area configuration register 4 Low	EACL4	EAC4	R/W
0006E9 _H	External Bus - Area configuration register 4 High	EACH4		R/W
0006EA _H	External Bus - Area configuration register 5 Low	EACL5	EAC5	R/W
0006EB _H	External Bus - Area configuration register 5 High	EACH5		R/W
0006EC _H	External Bus - Area select register 2	EAS2		R/W
0006ED _H	External Bus - Area select register 3	EAS3		R/W
0006EE _H	External Bus - Area select register 4	EAS4		R/W
0006EF _H	External Bus - Area select register 5	EAS5		R/W
0006F0 _H	External Bus - Mode register	EBM		R/W
0006F1 _H	External Bus - Clock and Function register	EBCF		R/W
0006F2 _H	External Bus - Address output enable register 0	EBAE0		R/W
0006F3 _H	External Bus - Address output enable register 1	EBAE1		R/W

MB96330 Series

I/O map MB96(F)33x (32 of 41)

Address	Register	Abbreviation 8-bit access	Abbreviation 16-bit access	Access
0006F4 _H	External Bus - Address output enable register 2	EBAE2		R/W
0006F5 _H	External Bus - Control signal register	EBCS		R/W
0006F6 _H - 0006FF _H	Reserved			-
000700 _H	CAN0 - Control register Low	CTRLRL0	CTRLR0	R/W
000701 _H	CAN0 - Control register High (reserved)	CTRLRH0		R
000702 _H	CAN0 - Status register Low	STATRL0	STATR0	R/W
000703 _H	CAN0 - Status register High (reserved)	STATRH0		R
000704 _H	CAN0 - Error Counter Low (Transmit)	ERRCNTL0	ERRCNT0	R
000705 _H	CAN0 - Error Counter High (Receive)	ERRCNTH0		R
000706 _H	CAN0 - Bit Timing Register Low	BTRL0	BTR0	R/W
000707 _H	CAN0 - Bit Timing Register High	BTRH0		R/W
000708 _H	CAN0 - Interrupt Register Low	INTRL0	INTR0	R
000709 _H	CAN0 - Interrupt Register High	INTRH0		R
00070A _H	CAN0 - Test Register Low	TESTRL0	TESTR0	R/W
00070B _H	CAN0 - Test Register High (reserved)	TESTRH0		R
00070C _H	CAN0 - BRP Extension register Low	BRPERL0	BRPER0	R/W
00070D _H	CAN0 - BRP Extension register High (reserved)	BRPERH0		R
00070E _H - 00070F _H	Reserved			-
000710 _H	CAN0 - IF1 Command request register Low	IF1CREQL0	IF1CREQ0	R/W
000711 _H	CAN0 - IF1 Command request register High	IF1CREQH0		R/W
000712 _H	CAN0 - IF1 Command Mask register Low	IF1CMSKL0	IF1CMSK0	R/W
000713 _H	CAN0 - IF1 Command Mask register High (re- served)	IF1CMSKH0		R
000714 _H	CAN0 - IF1 Mask 1 Register Low	IF1MSK1L0	IF1MSK10	R/W
000715 _H	CAN0 - IF1 Mask 1 Register High	IF1MSK1H0		R/W
000716 _H	CAN0 - IF1 Mask 2 Register Low	IF1MSK2L0	IF1MSK20	R/W
000717 _H	CAN0 - IF1 Mask 2 Register High	IF1MSK2H0		R/W
000718 _H	CAN0 - IF1 Arbitration 1 Register Low	IF1ARB1L0	IF1ARB10	R/W
000719 _H	CAN0 - IF1 Arbitration 1 Register High	IF1ARB1H0		R/W

MB96330 Series

I/O map MB96(F)33x (33 of 41)

Address	Register	Abbreviation 8-bit access	Abbreviation 16-bit access	Access
00071A _H	CAN0 - IF1 Arbitration 2 Register Low	IF1ARB2L0	IF1ARB20	R/W
00071B _H	CAN0 - IF1 Arbitration 2 Register High	IF1ARB2H0		R/W
00071C _H	CAN0 - IF1 Message Control Register Low	IF1MCTRL0	IF1MCTR0	R/W
00071D _H	CAN0 - IF1 Message Control Register High	IF1MCTRH0		R/W
00071E _H	CAN0 - IF1 Data A1 Low	IF1DTA1L0	IF1DTA10	R/W
00071F _H	CAN0 - IF1 Data A1 High	IF1DTA1H0		R/W
000720 _H	CAN0 - IF1 Data A2 Low	IF1DTA2L0	IF1DTA20	R/W
000721 _H	CAN0 - IF1 Data A2 High	IF1DTA2H0		R/W
000722 _H	CAN0 - IF1 Data B1 Low	IF1DTB1L0	IF1DTB10	R/W
000723 _H	CAN0 - IF1 Data B1 High	IF1DTB1H0		R/W
000724 _H	CAN0 - IF1 Data B2 Low	IF1DTB2L0	IF1DTB20	R/W
000725 _H	CAN0 - IF1 Data B2 High	IF1DTB2H0		R/W
000726 _H - 00073F _H	Reserved			-
000740 _H	CAN0 - IF2 Command request register Low	IF2CREQL0	IF2CREQ0	R/W
000741 _H	CAN0 - IF2 Command request register High	IF2CREQH0		R/W
000742 _H	CAN0 - IF2 Command Mask register Low	IF2CMSKL0	IF2CMSK0	R/W
000743 _H	CAN0 - IF2 Command Mask register High (re- served)	IF2CMSKH0		R
000744 _H	CAN0 - IF2 Mask 1 Register Low	IF2MSK1L0	IF2MSK10	R/W
000745 _H	CAN0 - IF2 Mask 1 Register High	IF2MSK1H0		R/W
000746 _H	CAN0 - IF2 Mask 2 Register Low	IF2MSK2L0	IF2MSK20	R/W
000747 _H	CAN0 - IF2 Mask 2 Register High	IF2MSK2H0		R/W
000748 _H	CAN0 - IF2 Arbitration 1 Register Low	IF2ARB1L0	IF2ARB10	R/W
000749 _H	CAN0 - IF2 Arbitration 1 Register High	IF2ARB1H0		R/W
00074A _H	CAN0 - IF2 Arbitration 2 Register Low	IF2ARB2L0	IF2ARB20	R/W
00074B _H	CAN0 - IF2 Arbitration 2 Register High	IF2ARB2H0		R/W
00074C _H	CAN0 - IF2 Message Control Register Low	IF2MCTRL0	IF2MCTR0	R/W
00074D _H	CAN0 - IF2 Message Control Register High	IF2MCTRH0		R/W
00074E _H	CAN0 - IF2 Data A1 Low	IF2DTA1L0	IF2DTA10	R/W
00074F _H	CAN0 - IF2 Data A1 High	IF2DTA1H0		R/W

MB96330 Series

I/O map MB96(F)33x (34 of 41)

Address	Register	Abbreviation 8-bit access	Abbreviation 16-bit access	Access
000750 _H	CAN0 - IF2 Data A2 Low	IF2DTA2L0	IF2DTA20	R/W
000751 _H	CAN0 - IF2 Data A2 High	IF2DTA2H0		R/W
000752 _H	CAN0 - IF2 Data B1 Low	IF2DTB1L0	IF2DTB10	R/W
000753 _H	CAN0 - IF2 Data B1 High	IF2DTB1H0		R/W
000754 _H	CAN0 - IF2 Data B2 Low	IF2DTB2L0	IF2DTB20	R/W
000755 _H	CAN0 - IF2 Data B2 High	IF2DTB2H0		R/W
000756 _H - 00077F _H	Reserved			-
000780 _H	CAN0 - Transmission Request 1 Register Low	TREQR1L0	TREQR10	R
000781 _H	CAN0 - Transmission Request 1 Register High	TREQR1H0		R
000782 _H	CAN0 - Transmission Request 2 Register Low	TREQR2L0	TREQR20	R
000783 _H	CAN0 - Transmission Request 2 Register High	TREQR2H0		R
000784 _H - 00078F _H	Reserved			-
000790 _H	CAN0 - New Data 1 Register Low	NEWDT1L0	NEWDT10	R
000791 _H	CAN0 - New Data 1 Register High	NEWDT1H0		R
000792 _H	CAN0 - New Data 2 Register Low	NEWDT2L0	NEWDT20	R
000793 _H	CAN0 - New Data 2 Register High	NEWDT2H0		R
000794 _H - 00079F _H	Reserved			-
0007A0 _H	CAN0 - Interrupt Pending 1 Register Low	INTPND1L0	INTPND10	R
0007A1 _H	CAN0 - Interrupt Pending 1 Register High	INTPND1H0		R
0007A2 _H	CAN0 - Interrupt Pending 2 Register Low	INTPND2L0	INTPND20	R
0007A3 _H	CAN0 - Interrupt Pending 2 Register High	INTPND2H0		R
0007A4 _H - 0007AF _H	Reserved			-
0007B0 _H	CAN0 - Message Valid 1 Register Low	MSGVAL1L0	MSGVAL10	R
0007B1 _H	CAN0 - Message Valid 1 Register High	MSGVAL1H0		R
0007B2 _H	CAN0 - Message Valid 2 Register Low	MSGVAL2L0	MSGVAL20	R
0007B3 _H	CAN0 - Message Valid 2 Register High	MSGVAL2H0		R
0007B4 _H - 0007CD _H	Reserved			-

MB96330 Series

I/O map MB96(F)33x (35 of 41)

Address	Register	Abbreviation 8-bit access	Abbreviation 16-bit access	Access
0007CE _H	CAN0 - Output enable register	COER0		R/W
0007CF _H - 0007FF _H	Reserved			-
000800 _H	CAN1 - Control register Low	CTRLRL1	CTRLR1	R/W
000801 _H	CAN1 - Control register High (reserved)	CTRLRH1		R
000802 _H	CAN1 - Status register Low	STATRL1	STATR1	R/W
000803 _H	CAN1 - Status register High (reserved)	STATRH1		R
000804 _H	CAN1 - Error Counter Low (Transmit)	ERRCNTL1	ERRCNT1	R
000805 _H	CAN1 - Error Counter High (Receive)	ERRCNTH1		R
000806 _H	CAN1 - Bit Timing Register Low	BTRL1	BTR1	R/W
000807 _H	CAN1 - Bit Timing Register High	BTRH1		R/W
000808 _H	CAN1 - Interrupt Register Low	INTRL1	INTR1	R
000809 _H	CAN1 - Interrupt Register High	INTRH1		R
00080A _H	CAN1 - Test Register Low	TESTRL1	TESTR1	R/W
00080B _H	CAN1 - Test Register High (reserved)	TESTRH1		R
00080C _H	CAN1 - BRP Extension register Low	BRPERL1	BRPER1	R/W
00080D _H	CAN1 - BRP Extension register High (reserved)	BRPERH1		R
00080E _H - 00080F _H	Reserved			-
000810 _H	CAN1 - IF1 Command request register Low	IF1CREQL1	IF1CREQ1	R/W
000811 _H	CAN1 - IF1 Command request register High	IF1CREQH1		R/W
000812 _H	CAN1 - IF1 Command Mask register Low	IF1CMSKL1	IF1CMSK1	R/W
000813 _H	CAN1 - IF1 Command Mask register High (re- served)	IF1CMSKH1		R
000814 _H	CAN1 - IF1 Mask 1 Register Low	IF1MSK1L1	IF1MSK11	R/W
000815 _H	CAN1 - IF1 Mask 1 Register High	IF1MSK1H1		R/W
000816 _H	CAN1 - IF1 Mask 2 Register Low	IF1MSK2L1	IF1MSK21	R/W
000817 _H	CAN1 - IF1 Mask 2 Register High	IF1MSK2H1		R/W
000818 _H	CAN1 - IF1 Arbitration 1 Register Low	IF1ARB1L1	IF1ARB11	R/W
000819 _H	CAN1 - IF1 Arbitration 1 Register High	IF1ARB1H1		R/W
00081A _H	CAN1 - IF1 Arbitration 2 Register Low	IF1ARB2L1	IF1ARB21	R/W

MB96330 Series

I/O map MB96(F)33x (36 of 41)

Address	Register	Abbreviation 8-bit access	Abbreviation 16-bit access	Access
00081B _H	CAN1 - IF1 Arbitration 2 Register High	IF1ARB2H1		R/W
00081C _H	CAN1 - IF1 Message Control Register Low	IF1MCTRL1	IF1MCTR1	R/W
00081D _H	CAN1 - IF1 Message Control Register High	IF1MCTRH1		R/W
00081E _H	CAN1 - IF1 Data A1 Low	IF1DTA1L1	IF1DTA11	R/W
00081F _H	CAN1 - IF1 Data A1 High	IF1DTA1H1		R/W
000820 _H	CAN1 - IF1 Data A2 Low	IF1DTA2L1	IF1DTA21	R/W
000821 _H	CAN1 - IF1 Data A2 High	IF1DTA2H1		R/W
000822 _H	CAN1 - IF1 Data B1 Low	IF1DTB1L1	IF1DTB11	R/W
000823 _H	CAN1 - IF1 Data B1 High	IF1DTB1H1		R/W
000824 _H	CAN1 - IF1 Data B2 Low	IF1DTB2L1	IF1DTB21	R/W
000825 _H	CAN1 - IF1 Data B2 High	IF1DTB2H1		R/W
000826 _H - 00083F _H	Reserved			-
000840 _H	CAN1 - IF2 Command request register Low	IF2CREQL1	IF2CREQ1	R/W
000841 _H	CAN1 - IF2 Command request register High	IF2CREQH1		R/W
000842 _H	CAN1 - IF2 Command Mask register Low	IF2CMSKL1	IF2CMSK1	R/W
000843 _H	CAN1 - IF2 Command Mask register High (re- served)	IF2CMSKH1		R
000844 _H	CAN1 - IF2 Mask 1 Register Low	IF2MSK1L1	IF2MSK11	R/W
000845 _H	CAN1 - IF2 Mask 1 Register High	IF2MSK1H1		R/W
000846 _H	CAN1 - IF2 Mask 2 Register Low	IF2MSK2L1	IF2MSK21	R/W
000847 _H	CAN1 - IF2 Mask 2 Register High	IF2MSK2H1		R/W
000848 _H	CAN1 - IF2 Arbitration 1 Register Low	IF2ARB1L1	IF2ARB11	R/W
000849 _H	CAN1 - IF2 Arbitration 1 Register High	IF2ARB1H1		R/W
00084A _H	CAN1 - IF2 Arbitration 2 Register Low	IF2ARB2L1	IF2ARB21	R/W
00084B _H	CAN1 - IF2 Arbitration 2 Register High	IF2ARB2H1		R/W
00084C _H	CAN1 - IF2 Message Control Register Low	IF2MCTRL1	IF2MCTR1	R/W
00084D _H	CAN1 - IF2 Message Control Register High	IF2MCTRH1		R/W
00084E _H	CAN1 - IF2 Data A1 Low	IF2DTA1L1	IF2DTA11	R/W
00084F _H	CAN1 - IF2 Data A1 High	IF2DTA1H1		R/W
000850 _H	CAN1 - IF2 Data A2 Low	IF2DTA2L1	IF2DTA21	R/W

MB96330 Series

I/O map MB96(F)33x (37 of 41)

Address	Register	Abbreviation 8-bit access	Abbreviation 16-bit access	Access
000851 _H	CAN1 - IF2 Data A2 High	IF2DTA2H1		R/W
000852 _H	CAN1 - IF2 Data B1 Low	IF2DTB1L1	IF2DTB11	R/W
000853 _H	CAN1 - IF2 Data B1 High	IF2DTB1H1		R/W
000854 _H	CAN1 - IF2 Data B2 Low	IF2DTB2L1	IF2DTB21	R/W
000855 _H	CAN1 - IF2 Data B2 High	IF2DTB2H1		R/W
000856 _H - 00087F _H	Reserved			-
000880 _H	CAN1 - Transmission Request 1 Register Low	TREQR1L1	TREQR11	R
000881 _H	CAN1 - Transmission Request 1 Register High	TREQR1H1		R
000882 _H	CAN1 - Transmission Request 2 Register Low	TREQR2L1	TREQR21	R
000883 _H	CAN1 - Transmission Request 2 Register High	TREQR2H1		R
000884 _H - 00088F _H	Reserved			-
000890 _H	CAN1 - New Data 1 Register Low	NEWDT1L1	NEWDT11	R
000891 _H	CAN1 - New Data 1 Register High	NEWDT1H1		R
000892 _H	CAN1 - New Data 2 Register Low	NEWDT2L1	NEWDT21	R
000893 _H	CAN1 - New Data 2 Register High	NEWDT2H1		R
000894 _H - 00089F _H	Reserved			-
0008A0 _H	CAN1 - Interrupt Pending 1 Register Low	INTPND1L1	INTPND11	R
0008A1 _H	CAN1 - Interrupt Pending 1 Register High	INTPND1H1		R
0008A2 _H	CAN1 - Interrupt Pending 2 Register Low	INTPND2L1	INTPND21	R
0008A3 _H	CAN1 - Interrupt Pending 2 Register High	INTPND2H1		R
0008A4 _H - 0008AF _H	Reserved			-
0008B0 _H	CAN1 - Message Valid 1 Register Low	MSGVAL1L1	MSGVAL11	R
0008B1 _H	CAN1 - Message Valid 1 Register High	MSGVAL1H1		R
0008B2 _H	CAN1 - Message Valid 2 Register Low	MSGVAL2L1	MSGVAL21	R
0008B3 _H	CAN1 - Message Valid 2 Register High	MSGVAL2H1		R
0008B4 _H - 0008CD _H	Reserved			-
0008CE _H	CAN1 - Output enable register	COER1		R/W

MB96330 Series

I/O map MB96(F)33x (38 of 41)

Address	Register	Abbreviation 8-bit access	Abbreviation 16-bit access	Access
0008CF _H - 0008FF _H	Reserved			-
000900 _H	CAN2 - Control register Low	CTRLRL2	CTRLR2	R/W
000901 _H	CAN2 - Control register High (reserved)	CTRLRH2		R
000902 _H	CAN2 - Status register Low	STATRL2	STATR2	R/W
000903 _H	CAN2 - Status register High (reserved)	STATRH2		R
000904 _H	CAN2 - Error Counter Low (Transmit)	ERRCNTL2	ERRCNT2	R
000905 _H	CAN2 - Error Counter High (Receive)	ERRCNTH2		R
000906 _H	CAN2 - Bit Timing Register Low	BTRL2	BTR2	R/W
000907 _H	CAN2 - Bit Timing Register High	BTRH2		R/W
000908 _H	CAN2 - Interrupt Register Low	INTRL2	INTR2	R
000909 _H	CAN2 - Interrupt Register High	INTRH2		R
00090A _H	CAN2 - Test Register Low	TESTRL2	TESTR2	R/W
00090B _H	CAN2 - Test Register High (reserved)	TESTRH2		R
00090C _H	CAN2 - BRP Extension register Low	BRPERL2	BRPER2	R/W
00090D _H	CAN2 - BRP Extension register High (reserved)	BRPERH2		R
00090E _H - 00090F _H	Reserved			-
000910 _H	CAN2 - IF1 Command request register Low	IF1CREQL2	IF1CREQ2	R/W
000911 _H	CAN2 - IF1 Command request register High	IF1CREQH2		R/W
000912 _H	CAN2 - IF1 Command Mask register Low	IF1CMSKL2	IF1CMSK2	R/W
000913 _H	CAN2 - IF1 Command Mask register High (re- served)	IF1CMSKH2		R
000914 _H	CAN2 - IF1 Mask 1 Register Low	IF1MSK1L2	IF1MSK12	R/W
000915 _H	CAN2 - IF1 Mask 1 Register High	IF1MSK1H2		R/W
000916 _H	CAN2 - IF1 Mask 2 Register Low	IF1MSK2L2	IF1MSK22	R/W
000917 _H	CAN2 - IF1 Mask 2 Register High	IF1MSK2H2		R/W
000918 _H	CAN2 - IF1 Arbitration 1 Register Low	IF1ARB1L2	IF1ARB12	R/W
000919 _H	CAN2 - IF1 Arbitration 1 Register High	IF1ARB1H2		R/W
00091A _H	CAN2 - IF1 Arbitration 2 Register Low	IF1ARB2L2	IF1ARB22	R/W
00091B _H	CAN2 - IF1 Arbitration 2 Register High	IF1ARB2H2		R/W

MB96330 Series

I/O map MB96(F)33x (39 of 41)

Address	Register	Abbreviation 8-bit access	Abbreviation 16-bit access	Access
00091C _H	CAN2 - IF1 Message Control Register Low	IF1MCTRL2	IF1MCTR2	R/W
00091D _H	CAN2 - IF1 Message Control Register High	IF1MCTRH2		R/W
00091E _H	CAN2 - IF1 Data A1 Low	IF1DTA1L2	IF1DTA12	R/W
00091F _H	CAN2 - IF1 Data A1 High	IF1DTA1H2		R/W
000920 _H	CAN2 - IF1 Data A2 Low	IF1DTA2L2	IF1DTA22	R/W
000921 _H	CAN2 - IF1 Data A2 High	IF1DTA2H2		R/W
000922 _H	CAN2 - IF1 Data B1 Low	IF1DTB1L2	IF1DTB12	R/W
000923 _H	CAN2 - IF1 Data B1 High	IF1DTB1H2		R/W
000924 _H	CAN2 - IF1 Data B2 Low	IF1DTB2L2	IF1DTB22	R/W
000925 _H	CAN2 - IF1 Data B2 High	IF1DTB2H2		R/W
000926 _H - 00093F _H	Reserved			-
000940 _H	CAN2 - IF2 Command request register Low	IF2CREQL2	IF2CREQ2	R/W
000941 _H	CAN2 - IF2 Command request register High	IF2CREQH2		R/W
000942 _H	CAN2 - IF2 Command Mask register Low	IF2CMSKL2	IF2CMSK2	R/W
000943 _H	CAN2 - IF2 Command Mask register High (re- served)	IF2CMSKH2		R
000944 _H	CAN2 - IF2 Mask 1 Register Low	IF2MSK1L2	IF2MSK12	R/W
000945 _H	CAN2 - IF2 Mask 1 Register High	IF2MSK1H2		R/W
000946 _H	CAN2 - IF2 Mask 2 Register Low	IF2MSK2L2	IF2MSK22	R/W
000947 _H	CAN2 - IF2 Mask 2 Register High	IF2MSK2H2		R/W
000948 _H	CAN2 - IF2 Arbitration 1 Register Low	IF2ARB1L2	IF2ARB12	R/W
000949 _H	CAN2 - IF2 Arbitration 1 Register High	IF2ARB1H2		R/W
00094A _H	CAN2 - IF2 Arbitration 2 Register Low	IF2ARB2L2	IF2ARB22	R/W
00094B _H	CAN2 - IF2 Arbitration 2 Register High	IF2ARB2H2		R/W
00094C _H	CAN2 - IF2 Message Control Register Low	IF2MCTRL2	IF2MCTR2	R/W
00094D _H	CAN2 - IF2 Message Control Register High	IF2MCTRH2		R/W
00094E _H	CAN2 - IF2 Data A1 Low	IF2DTA1L2	IF2DTA12	R/W
00094F _H	CAN2 - IF2 Data A1 High	IF2DTA1H2		R/W
000950 _H	CAN2 - IF2 Data A2 Low	IF2DTA2L2	IF2DTA22	R/W
000951 _H	CAN2 - IF2 Data A2 High	IF2DTA2H2		R/W

MB96330 Series

I/O map MB96(F)33x (40 of 41)

Address	Register	Abbreviation 8-bit access	Abbreviation 16-bit access	Access
000952 _H	CAN2 - IF2 Data B1 Low	IF2DTB1L2	IF2DTB12	R/W
000953 _H	CAN2 - IF2 Data B1 High	IF2DTB1H2		R/W
000954 _H	CAN2 - IF2 Data B2 Low	IF2DTB2L2	IF2DTB22	R/W
000955 _H	CAN2 - IF2 Data B2 High	IF2DTB2H2		R/W
000956 _H - 00097F _H	Reserved			-
000980 _H	CAN2 - Transmission Request 1 Register Low	TREQR1L2	TREQR12	R
000981 _H	CAN2 - Transmission Request 1 Register High	TREQR1H2		R
000982 _H	CAN2 - Transmission Request 2 Register Low	TREQR2L2	TREQR22	R
000983 _H	CAN2 - Transmission Request 2 Register High	TREQR2H2		R
000984 _H - 00098F _H	Reserved			-
000990 _H	CAN2 - New Data 1 Register Low	NEWDT1L2	NEWDT12	R
000991 _H	CAN2 - New Data 1 Register High	NEWDT1H2		R
000992 _H	CAN2 - New Data 2 Register Low	NEWDT2L2	NEWDT22	R
000993 _H	CAN2 - New Data 2 Register High	NEWDT2H2		R
000994 _H - 00099F _H	Reserved			-
0009A0 _H	CAN2 - Interrupt Pending 1 Register Low	INTPND1L2	INTPND12	R
0009A1 _H	CAN2 - Interrupt Pending 1 Register High	INTPND1H2		R
0009A2 _H	CAN2 - Interrupt Pending 2 Register Low	INTPND2L2	INTPND22	R
0009A3 _H	CAN2 - Interrupt Pending 2 Register High	INTPND2H2		R
0009A4 _H - 0009AF _H	Reserved			-
0009B0 _H	CAN2 - Message Valid 1 Register Low	MSGVAL1L2	MSGVAL12	R
0009B1 _H	CAN2 - Message Valid 1 Register High	MSGVAL1H2		R
0009B2 _H	CAN2 - Message Valid 2 Register Low	MSGVAL2L2	MSGVAL22	R
0009B3 _H	CAN2 - Message Valid 2 Register High	MSGVAL2H2		R
0009B4 _H - 0009CD _H	Reserved			-
0009CE _H	CAN2 - Output enable register	COER2		R/W

MB96330 Series

I/O map MB96(F)33x (41 of 41)

Address	Register	Abbreviation 8-bit access	Abbreviation 16-bit access	Access
0009CF _H - 000BFF _H	Reserved			-

Note: Any write access to reserved addresses in the I/O map should not be performed. A read access to a reserved address results in reading 'X'.
Registers of resources which are described in this table, but which are not supported by the device, should also be handled as "Reserved".

MB96330 Series

■ INTERRUPT VECTOR TABLE

Interrupt vector table MB96(F)33x (1 of 5)

Vector number	Offset in vector table	Vector name	Cleared by DMA	Index in ICR to program	Description
0	3FC _H	CALLV0	No	-	
1	3F8 _H	CALLV1	No	-	
2	3F4 _H	CALLV2	No	-	
3	3F0 _H	CALLV3	No	-	
4	3EC _H	CALLV4	No	-	
5	3E8 _H	CALLV5	No	-	
6	3E4 _H	CALLV6	No	-	
7	3E0 _H	CALLV7	No	-	
8	3DC _H	RESET	No	-	
9	3D8 _H	INT9	No	-	
10	3D4 _H	EXCEPTION	No	-	
11	3D0 _H	NMI	No	-	Non-Maskable Interrupt
12	3CC _H	DLY	No	12	Delayed Interrupt
13	3C8 _H	RC_TIMER	No	13	RC Timer
14	3C4 _H	MC_TIMER	No	14	Main Clock Timer
15	3C0 _H	SC_TIMER	No	15	Sub Clock Timer
16	3BC _H	PLL_UNLOCK	No	16	Reserved
17	3B8 _H	EXTINT0	Yes	17	External Interrupt 0
18	3B4 _H	EXTINT1	Yes	18	External Interrupt 1
19	3B0 _H	EXTINT2	Yes	19	External Interrupt 2
20	3AC _H	EXTINT3	Yes	20	External Interrupt 3
21	3A8 _H	EXTINT4	Yes	21	External Interrupt 4
22	3A4 _H	EXTINT5	Yes	22	External Interrupt 5
23	3A0 _H	EXTINT6	Yes	23	External Interrupt 6
24	39C _H	EXTINT7	Yes	24	External Interrupt 7
25	398 _H	EXTINT8	Yes	25	External Interrupt 8
26	394 _H	EXTINT9	Yes	26	External Interrupt 9
27	390 _H	EXTINT10	Yes	27	External Interrupt 10

MB96330 Series

Interrupt vector table MB96(F)33x (2 of 5)

Vector number	Offset in vector table	Vector name	Cleared by DMA	Index in ICR to program	Description
28	38C _H	EXTINT11	Yes	28	External Interrupt 11
29	388 _H	EXTINT12	Yes	29	External Interrupt 12
30	384 _H	EXTINT13	Yes	30	External Interrupt 13
31	380 _H	EXTINT14	Yes	31	External Interrupt 14
32	37C _H	EXTINT15	Yes	32	External Interrupt 15
33	378 _H	CAN0	No	33	CAN Controller 0
34	374 _H	CAN1	No	34	CAN Controller 1
35	370 _H	CAN2	No	35	CAN Controller 2
36	36C _H	PPG0	Yes	36	Programmable Pulse Generator 0
37	368 _H	PPG1	Yes	37	Programmable Pulse Generator 1
38	364 _H	PPG2	Yes	38	Programmable Pulse Generator 2
39	360 _H	PPG3	Yes	39	Programmable Pulse Generator 3
40	35C _H	PPG4	Yes	40	Programmable Pulse Generator 4
41	358 _H	PPG5	Yes	41	Programmable Pulse Generator 5
42	354 _H	PPG6	Yes	42	Programmable Pulse Generator 6
43	350 _H	PPG7	Yes	43	Programmable Pulse Generator 7
44	34C _H	PPG8	Yes	44	Programmable Pulse Generator 8
45	348 _H	PPG9	Yes	45	Programmable Pulse Generator 9
46	344 _H	PPG10	Yes	46	Programmable Pulse Generator 10
47	340 _H	PPG11	Yes	47	Programmable Pulse Generator 11
48	33C _H	PPG12	Yes	48	Programmable Pulse Generator 12
49	338 _H	PPG13	Yes	49	Programmable Pulse Generator 13
50	334 _H	PPG14	Yes	50	Programmable Pulse Generator 14
51	330 _H	PPG15	Yes	51	Programmable Pulse Generator 15
52	32C _H	PPG16	Yes	52	Programmable Pulse Generator 16
53	328 _H	PPG17	Yes	53	Programmable Pulse Generator 17
54	324 _H	PPG18	Yes	54	Programmable Pulse Generator 18
55	320 _H	PPG19	Yes	55	Programmable Pulse Generator 19
56	31C _H	RLT0	Yes	56	Reload Timer 0

MB96330 Series

Interrupt vector table MB96(F)33x (3 of 5)

Vector number	Offset in vector table	Vector name	Cleared by DMA	Index in ICR to program	Description
57	318 _H	RLT1	Yes	57	Reload Timer 1
58	314 _H	RLT2	Yes	58	Reload Timer 2
59	310 _H	RLT3	Yes	59	Reload Timer 3
60	30C _H	PPGRLT	Yes	60	Reload Timer 6 - dedicated for PPG
61	308 _H	ICU0	Yes	61	Input Capture Unit 0
62	304 _H	ICU1	Yes	62	Input Capture Unit 1
63	300 _H	ICU2	Yes	63	Input Capture Unit 2
64	2FC _H	ICU3	Yes	64	Input Capture Unit 3
65	2F8 _H	ICU4	Yes	65	Input Capture Unit 4
66	2F4 _H	ICU5	Yes	66	Input Capture Unit 5
67	2F0 _H	ICU6	Yes	67	Input Capture Unit 6
68	2EC _H	ICU7	Yes	68	Input Capture Unit 7
69	2E8 _H	ICU8	Yes	69	Input Capture Unit 8
70	2E4 _H	ICU9	Yes	70	Input Capture Unit 9
71	2E0 _H	OCU0	Yes	71	Output Compare Unit 0
72	2DC _H	OCU1	Yes	72	Output Compare Unit 1
73	2D8 _H	OCU2	Yes	73	Output Compare Unit 2
74	2D4 _H	OCU3	Yes	74	Output Compare Unit 3
75	2D0 _H	OCU4	Yes	75	Output Compare Unit 4
76	2CC _H	OCU5	Yes	76	Output Compare Unit 5
77	2C8 _H	OCU6	Yes	77	Output Compare Unit 6
78	2C4 _H	OCU7	Yes	78	Output Compare Unit 7
79	2C0 _H	OCU8	Yes	79	Output Compare Unit 8
80	2BC _H	OCU9	Yes	80	Output Compare Unit 9
81	2B8 _H	OCU10	Yes	81	Output Compare Unit 10
82	2B4 _H	OCU11	Yes	82	Output Compare Unit 11
83	2B0 _H	FRT0	Yes	83	Free Running Timer 0
84	2AC _H	FRT1	Yes	84	Free Running Timer 1
85	2A8 _H	FRT2	Yes	85	Free Running Timer 2

MB96330 Series

Interrupt vector table MB96(F)33x (4 of 5)

Vector number	Offset in vector table	Vector name	Cleared by DMA	Index in ICR to program	Description
86	2A4H	FRT3	Yes	86	Free Running Timer 3
87	2A0H	RTC0	No	87	Real Timer Clock
88	29CH	CAL0	No	88	Clock Calibration Unit
89	298H	IIC0	Yes	89	I2C interface
90	294H	IIC1	Yes	90	I2C interface
91	290H	ADC0	Yes	91	A/D Converter
92	28CH	ALARM0	No	92	Alarm Comparator 0
93	288H	ALARM1	No	93	Alarm Comparator 1
94	284H	LINR0	Yes	94	LIN USART 0 RX
95	280H	LINT0	Yes	95	LIN USART 0 TX
96	27CH	LINR1	Yes	96	LIN USART 1 RX
97	278H	LINT1	Yes	97	LIN USART 1 TX
98	274H	LINR2	Yes	98	LIN USART 2 RX
99	270H	LINT2	Yes	99	LIN USART 2 TX
100	26CH	LINR3	Yes	100	LIN USART 3 RX
101	268H	LINT3	Yes	101	LIN USART 3 TX
102	264H	LINR5	Yes	102	LIN USART 5 RX
103	260H	LINT5	Yes	103	LIN USART 5 TX
104	25CH	LINR7	Yes	104	LIN USART 7 RX
105	258H	LINT7	Yes	105	LIN USART 7 TX
106	254H	LINR8	Yes	106	LIN USART 8 RX
107	250H	LINT8	Yes	107	LIN USART 8 TX
108	24CH	LINR9	Yes	108	LIN USART 9 RX
109	248H	LINT9	Yes	109	LIN USART 9 TX
110	244H	FLASH_A	No	110	Main Flash memory interrupt (only Flash devices)
111	240H	reserved	-	-	reserved
112	23CH	USB_EP0IN0	Yes	112	USB End point 0 IN
113	238H	USB_EP0OUT0	Yes	113	USB End point 0 OUT
114	234H	USB_EP10	Yes	114	USB End point 1

MB96330 Series

Interrupt vector table MB96(F)33x (5 of 5)

Vector number	Offset in vector table	Vector name	Cleared by DMA	Index in ICR to program	Description
115	230 _H	USB_EP20	Yes	115	USB End point 2
116	22C _H	USB_EP30	Yes	116	USB End point 3
117	228 _H	USB_EP40	Yes	117	USB End point 4
118	224 _H	USB_EP50	Yes	118	USB End point 5
119	220 _H	USB_F10	No	119	USB function Flags 1 (SUSP SOF BRST WKUP CONF)
120	21C _H	USB_F20	No	120	USB function Flags 2 (SPK)
121	218 _H	USB_H10	No	121	USB MiniHost 1 (DIRQ CNNIRQ URIRQ RWKIRQ)
122	214 _H	USB_H20	No	122	USB MiniHost 2 (SOFIRQ CMPIRQ)

■ HANDLING DEVICES

Special care is required for the following when handling the device:

- Latch-up prevention
- Unused pins handling
- External clock usage
- Unused sub clock signal
- Notes on PLL clock mode operation
- Power supply pins (V_{CC}/V_{SS})
- Crystal oscillator circuit
- Turn on sequence of power supply to A/D converter and analog inputs
- Pin handling when not using the A/D converter
- Notes on energization
- Stabilization of power supply voltage
- Serial communication

1. Latch-up prevention

CMOS IC chips may suffer latch-up under the following conditions:

- A voltage higher than V_{CC} or lower than V_{SS} is applied to an input or output pin.
- A voltage higher than the rated voltage is applied between V_{CC} pins and V_{SS} pins.
- The AV_{CC} power supply is applied before the V_{CC} voltage.

Latch-up may increase the power supply current dramatically, causing thermal damages to the device.

For the same reason, extra care is required to not let the analog power-supply voltage (AV_{CC} , $AVRH$) exceed the digital power-supply voltage.

2. Unused pins handling

Unused input pins can be left open when the input is disabled (corresponding bit of Port Input Enable register $PIER = 0$).

Leaving unused input pins open when the input is enabled may result in misbehavior and possible permanent damage of the device. They must therefore be pulled up or pulled down through resistors. To prevent latch-up, those resistors should be more than 2 k Ω .

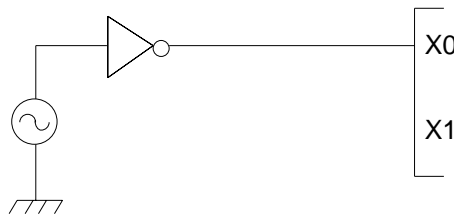
Unused bidirectional pins can be set either to the output state and be then left open, or to the input state with either input disabled or external pull-up/pull-down resistor as described above.

3. External clock usage

The permitted frequency range of an external clock depends on the oscillator type and configuration. See AC Characteristics for detailed modes and frequency limits. Single and opposite phase external clocks must be connected as follows:

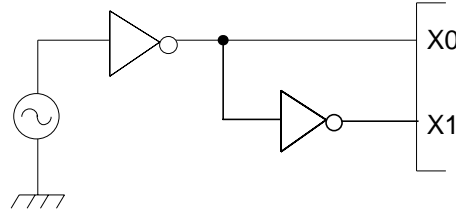
1. Single phase external clock

- When using a single phase external clock, X0 (X0A) pin must be driven and X1 (X1A) pin left open.



2. Opposite phase external clock

- When using an opposite phase external clock, X1 (X1A) must be supplied with a clock signal which has the opposite phase to the X0 (X0A) pins.



4. Unused sub clock signal

If the pins X0A and X1A are not connected to an oscillator, a pull-down resistor must be connected on the X0A pin and the X1A pin must be left open.

5. Notes on PLL clock mode operation

If the PLL clock mode is selected and no external oscillator is operating or no external clock is supplied, the microcontroller attempts to work with the free oscillating PLL. Performance of this operation, however, cannot be guaranteed.

6. Power supply pins (V_{CC}/V_{SS})

It is required that all V_{CC} -level as well as all V_{SS} -level power supply pins are at the same potential. If there is more than one V_{CC} or V_{SS} level, the device may operate incorrectly or be damaged even within the guaranteed operating range.

V_{CC} and V_{SS} must be connected to the device from the power supply with lowest possible impedance.

As a measure against power supply noise, it is required to connect a bypass capacitor of about 0.1 μF between V_{CC} and V_{SS} as close as possible to V_{CC} and V_{SS} pins.

7. Crystal oscillator and ceramic resonator circuit

Noise at X0, X1 pins or X0A, X1A pins might cause abnormal operation. It is required to provide bypass capacitors with shortest possible distance to X0, X1 pins and X0A, X1A pins, crystal oscillator (or ceramic resonator) and ground lines, and, to the utmost effort, that the lines of oscillation circuit do not cross the lines of other circuits.

It is highly recommended to provide a printed circuit board art work surrounding X0, X1 pins and X0A, X1A pins with a ground area for stabilizing the operation.

It is highly recommended to evaluate the quartz/MCU or resonator/MCU system at the quartz or resonator manufacturer, especially when using low-Q resonators at higher frequencies.

8. Turn on sequence of power supply to A/D converter and analog inputs

It is required to turn the A/D converter power supply (AV_{CC} , AV_{RH} , AV_{RL}) and analog inputs (AN_n) on after turning the digital power supply (V_{CC}) on.

It is also required to turn the digital power off after turning the A/D converter supply and analog inputs off. In this case, the voltage must not exceed AV_{RH} or AV_{CC} (turning the analog and digital power supplies simultaneously on or off is acceptable).

9. Pin handling when not using the A/D converter

It is required to connect the unused pins of the A/D converter as $AV_{CC} = V_{CC}$, $AV_{SS} = AV_{RH} = AV_{RL} = V_{SS}$.

10. Notes on Power-on

To prevent malfunction of the internal voltage regulator, supply voltage profile while turning the power supply on should be slower than 50 μs from 0.2 V to 2.7 V.

11. Stabilization of power supply voltage

If the power supply voltage varies acutely even within the operation safety range of the Vcc power supply voltage, a malfunction may occur. The Vcc power supply voltage must therefore be stabilized. As stabilization guidelines, the power supply voltage must be stabilized in such a way that Vcc ripple fluctuations (peak to peak value) in the commercial frequencies (50 to 60 Hz) fall within 10% of the standard Vcc power supply voltage and the transient fluctuation rate becomes 0.1V/μs or less in instantaneous fluctuation for power supply switching.

12. Serial communication

There is a possibility to receive wrong data due to noise or other causes on the serial communication.

Therefore, design a printed circuit board so as to avoid noise.

Consider receiving of wrong data when designing the system. For example apply a checksum and retransmit the data if an error occurs.

MB96330 Series

■ ELECTRICAL CHARACTERISTICS

1. Absolute Maximum Ratings

Parameter	Symbol	Rating		Unit	Remarks
		Min	Max		
Power supply voltage	V_{CC}	$V_{SS} - 0.3$	$V_{SS} + 6.0$	V	
	AV_{CC}	$V_{SS} - 0.3$	$V_{SS} + 6.0$	V	$V_{CC} = AV_{CC}$ *1
USB power supply voltage	V_{CC3}	$V_{SS} - 0.3$	$V_{SS} + 4.0$	V	USB device only
AD Converter voltage references	AV_{RH} , AV_{RL}	$V_{SS} - 0.3$	$V_{SS} + 6.0$	V	$AV_{CC} \geq AV_{RH}$, $AV_{CC} \geq AV_{RL}$, $AV_{RH} > AV_{RL}$, $AV_{RL} \geq AV_{SS}$
Input voltage	V_I	$V_{SS} - 0.3$	$V_{SS} + 6.0$	V	$V_I \leq V_{CC} + 0.3V$ *2
USB Input voltage	V_{IUSB}	$V_{SS} - 0.5$	$V_{SS} + 4.0$	V	$V_{IUSB} \leq V_{CC3} + 0.5$ (USB pins UDP, UDM)
Output voltage	V_O	$V_{SS} - 0.3$	$V_{SS} + 6.0$	V	$V_O \leq V_{CC} + 0.3V$ *2
USB output voltage	V_{OUSB}	$V_{SS} - 0.5$	$V_{SS} + 4.0$	V	$V_{OUSB} \leq V_{CC3} + 0.5$ (USB pins UDP, UDM)
Maximum Clamp Current	I_{CLAMP}	-4.0	+4.0	mA	Applicable to general purpose I/O pins *3
Total Maximum Clamp Current	$\Sigma I_{CLAMP} $	-	40	mA	Applicable to general purpose I/O pins *3
"L" level maximum output current	I_{OL1}	-	15	mA	Normal outputs with driving strength set to 5mA
	I_{OLUSB}	-	36	mA	USB pins UDP, UDM
"L" level average output current	I_{OLAV1}	-	5	mA	Normal outputs with driving strength set to 5mA
	$I_{OLAVUSB}$	-	15	mA	USB pins UDP, UDM
"L" level maximum overall output current	ΣI_{OL1}	-	100	mA	Normal outputs
"L" level average overall output current	ΣI_{OLAV1}	-	50	mA	Normal outputs
"H" level maximum output current	I_{OH1}	-	-15	mA	Normal outputs with driving strength set to 5mA
	I_{OHUSB}	-	-36	mA	USB pins UDP, UDM
"H" level average output current	I_{OHAV1}	-	-5	mA	Normal outputs with driving strength set to 5mA
	$I_{OHAVUSB}$	-	-15	mA	USB pins UDP, UDM
"H" level maximum overall output current	ΣI_{OH1}	-	-100	mA	Normal outputs
"H" level average overall output current	ΣI_{OHAV1}	-	-50	mA	Normal outputs

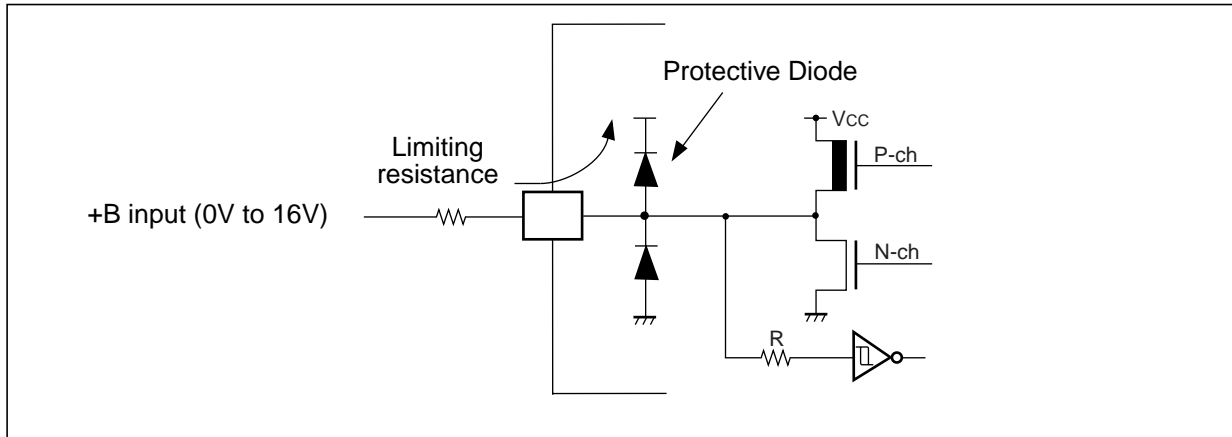
MB96330 Series

Parameter	Symbol	Rating		Unit	Remarks
		Min	Max		
Permitted Power dissipation (Flash devices) *4	P _D	-	370*5	mW	T _A =105°C
		-	740*5	mW	T _A =85°C
		-	460*5	mW	T _A =125°C, no Flash program/erase, MB96(F)338Y/R only *6
		-	550*5	mW	T _A =120°C, no Flash program/erase, MB96(F)338Y/R only *6
Operating ambient temperature	T _A	0	+70	°C	MB96V300B
		-40	+105		MB96(F)33x
		-40	+125		MB96(F)338Y/R*6
Storage temperature	T _{STG}	-55	+150	°C	

- *1: AV_{CC} and V_{CC} must be set to the same voltage. It is required that AV_{CC} does not exceed V_{CC} and that the voltage at the analog inputs does not exceed AV_{CC} neither when the power is switched on.
- *2: V_I and V_O should not exceed V_{CC} + 0.3 V. V_I should also not exceed the specified ratings. However if the maximum current to/from a input is limited by some means with external components, the I_{CLAMP} rating supercedes the V_I rating. Input/output voltages of standard ports depend on V_{CC}.
- *3: • Applicable to all general purpose I/O pins (Pnn_m)
 • Use within recommended operating conditions.
 • Use at DC voltage (current)
 • The +B signal should always be applied a limiting resistance placed between the +B signal and the microcontroller.
 • The value of the limiting resistance should be set so that when the +B signal is applied the input current to the microcontroller pin does not exceed rated values, either instantaneously or for prolonged periods.
 • Note that when the microcontroller drive current is low, such as in the power saving modes, the +B input potential may pass through the protective diode and increase the potential at the V_{CC} pin, and this may affect other devices.
 • Note that if a +B signal is input when the microcontroller power supply is off (not fixed at 0 V), the power supply is provided from the pins, so that incomplete operation may result.
 • Note that if the +B input is applied during power-on, the power supply is provided from the pins and the resulting supply voltage may not be sufficient to operate the Power reset (except devices with persistent low voltage reset in internal vector mode).

MB96330 Series

- Sample recommended circuits:



- *4: The maximum permitted power dissipation depends on the ambient temperature, the air flow velocity and the thermal conductance of the package on the PCB.

The actual power dissipation depends on the customer application and can be calculated as follows:

$$P_D = P_{IO} + P_{INT}$$

$$P_{IO} = \sum (V_{OL} * I_{OL} + V_{OH} * I_{OH}) \text{ (IO load power dissipation, sum is performed on all IO ports)}$$

$$P_{INT} = V_{CC} * (I_{CC} + I_A) \text{ (internal power dissipation)}$$

I_{CC} is the total core current consumption into V_{CC} as described in the "DC characteristics" and depends on the selected operation mode and clock frequency and the usage of functions like Flash programming or the clock modulator.

I_A is the analog current consumption into AV_{CC} .

- *5: Worst case value for a package mounted on single layer PCB at specified T_A without air flow.
- *6: Please contact Fujitsu for reliability limitations when using under these conditions.

WARNING: Semiconductor devices can be permanently damaged by application of stress (voltage, current, temperature, etc.) in excess of absolute maximum ratings. Do not exceed these ratings.

2. Recommended Operating Conditions

Parameter	Symbol	Value			Unit	Remarks
		Min	Typ	Max		
Power supply voltage	V _{CC}	3.0	-	5.5	V	
USB power supply voltage	V _{CC3}	3.0	3.3	3.6	V	USB device only
Smoothing capacitor at C pin	C _s	3.5	4.7	15	μF	Use a X7R ceramic capacitor or a capacitor that has similar frequency characteristics

WARNING: The recommended operating conditions are required in order to ensure the normal operation of the semiconductor device. All of the device's electrical characteristics are warranted when the device is operated within these ranges.

Always use semiconductor devices within their recommended operating condition ranges. Operation outside these ranges may adversely affect reliability and could result in device failure.

No warranty is made with respect to uses, operating conditions, or combinations not represented on the data sheet. Users considering application outside the listed conditions are advised to contact their FUJITSU representatives beforehand.

MB96330 Series

3. DC characteristics

($T_A = -40^{\circ}\text{C}$ to 125°C , $V_{CC} = AV_{CC} = 3.0\text{V}$ to 5.5V , $V_{CC3} = 3.0\text{V}$ to 3.6V , $V_{SS} = AV_{SS} = 0\text{V}$)

Parameter	Symbol	Pin	Condition	Value			Unit	Remarks
				Min	Typ	Max		
Input H voltage	V_{IH}	Port inputs Pnn_m	CMOS Hysteresis 0.8/0.2 input selected	0.8 V_{CC}	-	$V_{CC} + 0.3$	V	
			CMOS Hysteresis 0.7/0.3 input selected	0.7 V_{CC}	-	$V_{CC} + 0.3$	V	$V_{CC} \geq 4.5\text{V}$
				0.74 V_{CC}	-	$V_{CC} + 0.3$	V	$V_{CC} < 4.5\text{V}$
			AUTOMOTIVE Hysteresis input selected	0.8 V_{CC}	-	$V_{CC} + 0.3$	V	
	TTL input selected	2.0	-	$V_{CC} + 0.3$	V			
	V_{IHUSB}	UDP, UDM	-	2.0	-	$V_{CC3} + 0.3$	V	USB pins
	V_{IHx0F}	X0	External clock in "Fast Clock Input mode"	0.8 V_{CC}	-	$V_{CC} + 0.3$	V	
	V_{IHx0S}	X0, X1, X0A, X1A	External clock in "oscillation mode"	2.5	-	$V_{CC} + 0.3$	V	
	V_{IHR}	RSTX	-	0.8 V_{CC}	-	$V_{CC} + 0.3$	V	CMOS Hysteresis input
V_{IHM}	MD2-MD0	-	$V_{CC} - 0.3$	-	$V_{CC} + 0.3$	V		

MB96330 Series

($T_A = -40^{\circ}\text{C}$ to 125°C , $V_{CC} = AV_{CC} = 3.0\text{V}$ to 5.5V , $V_{CC3} = 3.0\text{V}$ to 3.6V , $V_{SS} = AV_{SS} = 0\text{V}$)

Parameter	Symbol	Pin	Condition	Value			Unit	Remarks
				Min	Typ	Max		
Input L voltage	V_{IL}	Port inputs Pnn_m	CMOS Hysteresis 0.8/0.2 input selected	$V_{SS} - 0.3$	-	$0.2 V_{CC}$	V	
			CMOS Hysteresis 0.7/0.3 input selected	$V_{SS} - 0.3$	-	$0.3 V_{CC}$	V	
			AUTOMOTIVE Hysteresis input selected	$V_{SS} - 0.3$	-	$0.5 V_{CC}$	V	$V_{CC} \geq 4.5\text{V}$
				$V_{SS} - 0.3$	-	$0.46 V_{CC}$		$V_{CC} < 4.5\text{V}$
			TTL input selected	$V_{SS} - 0.3$	-	0.8	V	
	V_{ILUSB}	UDP, UDM	-	$V_{SS} - 0.3$	-	0.8	V	USB pins
	V_{ILX0F}	X0	External clock in "Fast Clock Input mode"	$V_{SS} - 0.3$	-	$0.2 V_{CC}$	V	
	V_{ILX0S}	X0,X1, X0A,X1A	External clock in "oscillation mode"	$V_{SS} - 0.3$	-	0.4	V	
V_{ILR}	RSTX	-	$V_{SS} - 0.3$	-	$0.2 V_{CC}$	V	CMOS Hysteresis input	
V_{ILM}	MD2-MD0	-	$V_{SS} - 0.3$	-	$V_{SS} + 0.3$	V		
Output H voltage	V_{OH2}	Normal outputs	$4.5\text{V} \leq V_{CC} \leq 5.5\text{V}$ $I_{OH} = -2\text{mA}$	$V_{CC} - 0.5$	-	-	V	Driving strength set to 2mA (PODR:OD=1)
			$3.0\text{V} \leq V_{CC} < 4.5\text{V}$ $I_{OH} = -1.6\text{mA}$					
	V_{OH5}	Normal outputs	$4.5\text{V} \leq V_{CC} \leq 5.5\text{V}$ $I_{OH} = -5\text{mA}$	$V_{CC} - 0.5$	-	-	V	Driving strength set to 5mA (PODR:OD=0)
			$3.0\text{V} \leq V_{CC} < 4.5\text{V}$ $I_{OH} = -3\text{mA}$					
	V_{OH3}	3mA out- puts	$4.5\text{V} \leq V_{CC} \leq 5.5\text{V}$ $I_{OH} = -3\text{mA}$	$V_{CC} - 0.5$	-	-	V	I/O circuit type "N"
$3.0\text{V} \leq V_{CC} < 4.5\text{V}$ $I_{OH} = -2\text{mA}$								
V_{OHUSB}	UDP, UDM	$3.0\text{V} \leq V_{CC3} < 3.6\text{V}$ $I_{OH} = -20\text{mA}$	$V_{CC3} - 0.4$	-	-	V	USB pins	

MB96330 Series

($T_A = -40^{\circ}\text{C}$ to 125°C , $V_{CC} = AV_{CC} = 3.0\text{V}$ to 5.5V , $V_{CC3} = 3.0\text{V}$ to 3.6V , $V_{SS} = AV_{SS} = 0\text{V}$)

Parameter	Symbol	Pin	Condition	Value			Unit	Remarks	
				Min	Typ	Max			
Output L voltage	V_{OL2}	Normal outputs	$4.5\text{V} \leq V_{CC} \leq 5.5\text{V}$ $I_{OL} = +2\text{mA}$	-	-	0.4	V	Driving strength set to 2mA (PODR:OD=1)	
			$3.0\text{V} \leq V_{CC} < 4.5\text{V}$ $I_{OL} = +1.6\text{mA}$						
	V_{OL5}	Normal outputs	$4.5\text{V} \leq V_{CC} \leq 5.5\text{V}$ $I_{OL} = +5\text{mA}$	-	-	0.4	V		Driving strength set to 5mA (PODR:OD=0)
			$3.0\text{V} \leq V_{CC} < 4.5\text{V}$ $I_{OL} = +3\text{mA}$						
V_{OL3}	3mA outputs	$3.0\text{V} \leq V_{CC} \leq 5.5\text{V}$ $I_{OL} = +3\text{mA}$	-	-	0.4	V	I/O circuit type "N"		
V_{OLUSB}	UDP, UDM	$3.0\text{V} \leq V_{CC3} < 3.6\text{V}$ $I_{OL} = +20\text{mA}$	-	-	0.4	V	USB pins		
Input leak current	I_{IL}	Pnn_m (except USB pins)	$V_{SS} < V_I < V_{CC}$ $AV_{SS}, AV_{RL} < V_I < AV_{CC}, AVR_H$	-1	-	+1	μA	Single port pin	
USB input leak current		UDP, UDM	$V_{SS} < V_I < V_{CC3}$	-5	-	+5	μA	USB pins	
Pull-up resistance	R_{UP}	Pnn_m, RSTX	$V_{CC} = 3.3\text{V} \pm 10\%$	40	100	160	$\text{k}\Omega$		
			$V_{CC} = 5.0\text{V} \pm 10\%$	25	50	100	$\text{k}\Omega$		

MB96330 Series

(T_A = -40°C to 125°C, V_{CC} = AV_{CC} = 3.0V to 5.5V, V_{SS} = AV_{SS} = 0V)

Parameter	Symbol	Condition (at T _A)	Value			Remarks	
			Typ	Max	Unit		
Power supply current in Run modes*	I _{CCPLL}	PLL Run mode with CLKS1/2 = CLKB = CLKP1/3 = 16MHz, CLKP2 = 8MHz	+25°C	18	23.5	mA	MB96F33xY/R
			+125°C	20	27.5		
		1 Flash/ROM wait state (CLKRC and CLKSC stopped)	+25°C	19	24.5	mA	MB96F33xU
			+125°C	21	28.5		
		PLL Run mode with CLKS1/2 = CLKB = CLKP1/3 = 32MHz, CLKP2 = 16MHz	+25°C	29	35	mA	MB96F33xY/R
			+125°C	31	39.5		
		2 Flash/ROM wait states (CLKRC and CLKSC stopped)	+25°C	30	36	mA	MB96F33xU
			+125°C	32	40.5		
		PLL Run mode with CLKS1/2 = 48MHz, CLKB = CLKP1/2 = 24MHz CLKP3 = 48MHz	+25°C	33	45	mA	MB96F33xY/R
			+125°C	35	49.5		
		0 Flash/ROM wait states (CLKRC and CLKSC stopped)	+25°C	39	52	mA	MB96F33xU
			+125°C	41	56.5		
		PLL Run mode with CLKS1/2 = CLKB = CLKP1/3 = 48MHz, CLKP2 = 24MHz	+25°C	44	55	mA	MB96F33xY/R
			+125°C	46	59.5		
		2 Flash/ROM wait states (CLKRC and CLKSC stopped. Core voltage at 1.9V)	+25°C	50	62	mA	MB96F33xU
			+125°C	52	66.5		
		PLL Run mode with CLKS1/2 = 96MHz, CLKB = CLKP1/3 = 48MHz, CLKP2 = 24MHz	+25°C	53	67	mA	MB96F33xY/R
			+125°C	55	71.5		
		1 Flash/ROM wait state (CLKRC and CLKSC stopped. Core voltage at 1.9V)	+25°C	59	74	mA	MB96F33xU
			+125°C	61	78.5		

MB96330 Series

(T_A = -40°C to 125°C, V_{CC} = AV_{CC} = 3.0V to 5.5V, V_{SS} = AV_{SS} = 0V)

Parameter	Symbol	Condition (at T _A)	Value			Remarks	
			Typ	Max	Unit		
Power supply current in Run modes*	I _{CCMAIN}	Main Run mode with CLKS1/2 = CLKB = CLKP1/2/3 = 4MHz	+25°C	4.85	5.8	mA	MB96F33xY/R
			+125°C	5.75	9.3		
		1 Flash/ROM wait state (CLKPLL, CLKSC and CLKRC stopped)	+25°C	5	6	mA	MB96F33xU
			+125°C	5.9	9.5		
	I _{CCRCH}	RC Run mode with CLKS1/2 = CLKB = CLKP1/2/3 = 2MHz	+25°C	2.8	3.9	mA	MB96F33xY/R
			+125°C	3.7	7.4		
		1 Flash/ROM wait state (CLKMC, CLKPLL and CLKSC stopped)	+25°C	2.9	4	mA	MB96F33xU
			+125°C	3.8	7.5		
	I _{CCRCL}	RC Run mode with CLKS1/2 = CLKB = CLKP1/2/3 = 100kHz, SMCR:LPMS = 0	+25°C	0.4	0.65	mA	
			+125°C	1.15	4		
		1 Flash/ROM wait state (CLKMC, CLKPLL and CLKSC stopped. Voltage regulator in high power mode)	+25°C	0.17	0.3	mA	
			+125°C	0.9	3.6		
I _{CCSUB}	Sub Run mode with CLKS1/2 = CLKB = CLKP1/2/3 = 32kHz	+25°C	0.11	0.25	mA		
		+125°C	0.85	3.55			
1 Flash/ROM wait state (CLKMC, CLKPLL and CLKRC stopped, no Flash programming/erasing al- lowed)							

MB96330 Series

(T_A = -40°C to 125°C, V_{CC} = AV_{CC} = 3.0V to 5.5V, V_{SS} = AV_{SS} = 0V)

Parameter	Symbol	Condition (at T _A)	Value			Remarks						
			Typ	Max	Unit							
Power supply current in Sleep modes*	I _{CCSPLL}	PLL Sleep mode with CLKS1/2 = CLKP1/3 = 16MHz, CLKP2 = 8MHz (CLKRC and CLKSC stopped)	+25°C	6	8	mA	MB96F33xY/R					
			+125°C	7	11.5							
				(CLKRC and CLKSC stopped)	+25°C	7	9	mA	MB96F33xU			
					+125°C	8	12.5					
				PLL Sleep mode with CLKS1/2 = CLKP1/3 = 32MHz, CLKP2 = 16MHz (CLKRC and CLKSC stopped)	+25°C	11.5	14.5	mA	MB96F33xY/R			
					+125°C	12.7	18					
							(CLKRC and CLKSC stopped)	+25°C	12.5	15.5	mA	MB96F33xU
								+125°C	13.7	19		
				PLL Sleep mode with CLKS1/2 = 48MHz, CLKP1/2 = 24MHz, CLKP3 = 48MHz (CLKRC and CLKSC stopped)	+25°C	10.5	13	mA	MB96F33xY/R			
					+125°C	11.7	16.5					
							(CLKRC and CLKSC stopped)	+25°C	16.5	20	mA	MB96F33xU
								+125°C	17.7	23.5		
				PLL Sleep mode with CLKS1/2 = CLKP1/3 = 48MHz, CLKP2 = 24MHz (CLKRC and CLKSC stopped. Core voltage at 1.9V)	+25°C	15	18	mA	MB96F33xY/R			
					+125°C	16.2	21.5					
							(CLKRC and CLKSC stopped. Core voltage at 1.9V)	+25°C	21	25	mA	MB96F33xU
								+125°C	22.2	28.5		
			PLL Sleep mode with CLKS1/2 = 96MHz, CLKP1/3 = 48MHz, CLKP2 = 24MHz (CLKRC and CLKSC stopped. Core voltage at 1.9V)	+25°C	17	20	mA	MB96F33xY/R				
				+125°C	18.2	23.5						
						(CLKRC and CLKSC stopped. Core voltage at 1.9V)	+25°C	23	27	mA	MB96F33xU	
							+125°C	24.2	30.5			
	I _{CCMAIN}	Main Sleep mode with CLKS1/2 = CLKP1/2/3 = 4MHz	+25°C	1.75	2.2	mA	MB96F33xY/R					
			+125°C	2.55	5.5							
				(CLKPLL, CLKSC and CLKRC stopped)	+25°C	1.9	2.4	mA	MB96F33xU			
					+125°C	2.7	5.7					

MB96330 Series

(T_A = -40°C to 125°C, V_{CC} = AV_{CC} = 3.0V to 5.5V, V_{SS} = AV_{SS} = 0V)

Parameter	Symbol	Condition (at T _A)		Value			Remarks
				Typ	Max	Unit	
Power supply current in Sleep modes*	I _{CCSRCH}	RC Sleep mode with CLKS1/2 = CLKP1/2/3 = 2MHz	+25°C	1	1.6	mA	MB96F33xY/R
			+125°C	1.8	4.9		
		(CLKMC, CLKPLL and CLKSC stopped)	+25°C	1.1	1.7	mA	MB96F33xU
			+125°C	1.9	5		
	I _{CCSRCL}	RC Sleep mode with CLKS1/2 = CLKP1/2/3 = 100kHz, SMCR:LPMSS = 0	+25°C	0.3	0.55	mA	
			+125°C	1.05	3.85		
		(CLKMC, CLKPLL and CLKSC stopped. Voltage regulator in high power mode)	+25°C	0.06	0.2	mA	
			+125°C	0.78	3.45		
	I _{CCSUB}	Sub Sleep mode with CLKS1/2 = CLKP1/2/3 = 32kHz	+25°C	0.05	0.17	mA	
			(CLKMC, CLKPLL and CLKRC stopped)	+125°C	0.77		

MB96330 Series

(T_A = -40°C to 125°C, V_{CC} = AV_{CC} = 3.0V to 5.5V, V_{SS} = AV_{SS} = 0V)

Parameter	Symbol	Condition (at T _A)	Value			Remarks
			Typ	Max	Unit	
Power supply current in Timer modes*	I _{CCTPLL}	PLL Timer mode with CLKMC = 4MHz, CLKPLL = 48MHz (CLKRC and CLKSC stopped)	+25°C	1.5	2	mA
			+125°C	2.3	5.5	
	I _{CCTMAIN}	Main Timer mode with CLKMC = 4MHz, SMCR:LPMSS = 0 (CLKPLL, CLKRC and CLKSC stopped. Voltage regulator in high power mode)	+25°C	0.35	0.55	mA
			+125°C	1.05	3.85	
		Main Timer mode with CLKMC = 4MHz, SMCR:LPMSS = 1 (CLKPLL, CLKRC and CLKSC stopped. Voltage regulator in low power mode)	+25°C	0.09	0.2	mA
			+125°C	0.81	3.45	
	I _{CCTRCH}	RC Timer mode with CLKRC = 2MHz, SMCR:LPMSS = 0 (CLKMC, CLKPLL and CLKSC stopped. Voltage regulator in high power mode)	+25°C	0.35	0.55	mA
			+125°C	1.05	3.85	
		RC Timer mode with CLKRC = 2MHz, SMCR:LPMSS = 1 (CLKMC, CLKPLL and CLKSC stopped. Voltage regulator in low power mode)	+25°C	0.08	0.2	mA
			+125°C	0.8	3.45	

MB96330 Series

(T_A = -40°C to 125°C, V_{CC} = AV_{CC} = 3.0V to 5.5V, V_{SS} = AV_{SS} = 0V)

Parameter	Symbol	Condition (at T _A)	Value			Remarks	
			Typ	Max	Unit		
Power supply current in Timer modes*	I _{CCTRCL}	RC Timer mode with CLKRC = 100kHz, SMCR:LPMSS = 0 (CLKMC, CLKPLL and CLKSC stopped. Voltage regulator in high power mode)	+25°C	0.3	0.5	mA	
			+125°C	1	3.75		
		RC Timer mode with CLKRC = 100kHz, SMCR:LPMSS = 1 (CLKMC, CLKPLL and CLKSC stopped. Voltage regulator in low power mode)	+25°C	0.04	0.15	mA	
			+125°C	0.76	3.35		
	I _{CCSUB}	Sub Timer mode with CLKSC = 32kHz (CLKMC, CLKPLL and CLKRC stopped)	+25°C	0.045	0.15	mA	
			+125°C	0.76	3.35		
Power supply current in Stop Mode	I _{CCCH}	VR _{CR} :LPMB[2:0] = 110 _B (Core voltage at 1.8V)	+25°C	0.03	0.13	mA	
			+125°C	0.75	3.3		
		VR _{CR} :LPMB[2:0] = 000 _B (Core voltage at 1.2V)	+25°C	0.02	0.1	mA	
			+125°C	0.6	2.7		
Power supply current for active Low Voltage detector	I _{CCLV} D	Low voltage detector enabled (R _{CR} :LVDE = 1)	+25°C	90	140	μA	
			+125°C	100	150		
Power supply current for active Clock modulator	I _{CCCL} OMO	Clock modulator enabled (C _{MCR} :PDX = 1)	-	3	4.5	mA	Must be added to all current above
Flash Write/Erase current	I _{CCFL} ASH	Current for one Flash module	-	15	40	mA	Must be added to all current above
Input capacitance	C _{IN}	-	-	5	15	pF	Other than C, AV _{CC} , AV _{SS} , AVR _H , AVR _L , V _{CC} , V _{SS}

* The power supply current is measured with a 4MHz external clock connected to the Main oscillator and a 32kHz external clock connected to the Sub oscillator. See chapter "Standby mode and voltage regulator control circuit" of the Hardware Manual for further details about voltage regulator control.

MB96330 Series

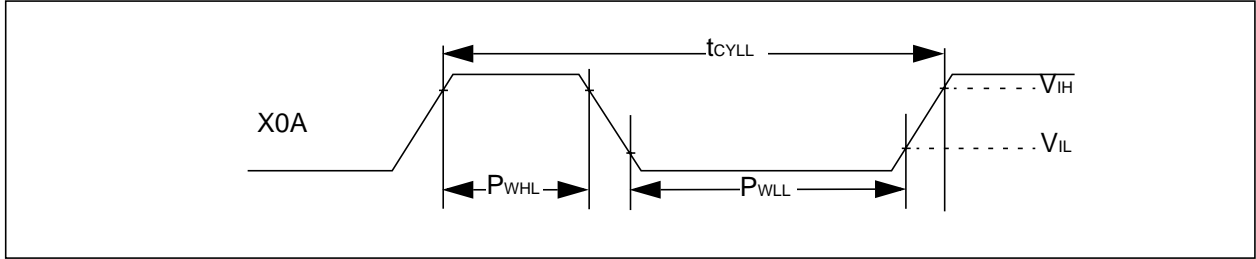
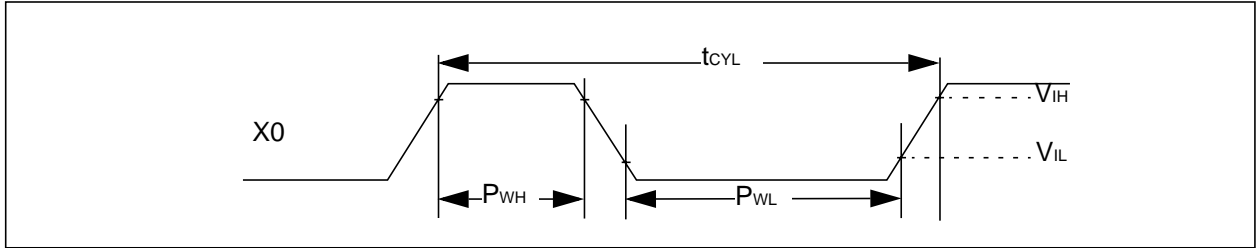
4. AC Characteristics

Source Clock timing

($T_A = -40^{\circ}\text{C}$ to 125°C , $V_{CC} = AV_{CC} = 3.0\text{V}$ to 5.5V , $V_{SS} = AV_{SS} = 0\text{V}$)

Parameter	Symbol	Pin	Value			Unit	Remarks
			Min	Typ	Max		
Clock frequency	f_c	X0, X1	3	-	16	MHz	When using a crystal oscillator, PLL off
			0	-	16	MHz	When using an opposite phase external clock, PLL off
			3.5	-	16	MHz	When using a crystal oscillator or opposite phase external clock, PLL on
Clock frequency	f_{FCI}	X0	0	-	56	MHz	When using a single phase external clock in "Fast Clock Input mode", PLL off
			3.5	-	56	MHz	When using a single phase external clock in "Fast Clock Input mode", PLL on
Clock frequency	f_{CL}	X0A, X1A	32	32.768	100	kHz	When using an oscillation circuit
			0	-	100	kHz	When using an opposite phase external clock
		X0A	0	-	50	kHz	When using a single phase external clock
Clock frequency	f_{CR}	-	50	100	200	kHz	When using slow frequency of RC oscillator
			1	2	4	MHz	When using fast frequency of RC oscillator
RC clock stabilization time	t_{RCSTAB}	-	64 RC clock cycles				Applied after any reset and when activating the RC oscillator.
PLL Clock frequency	f_{CLKVCO}	-	64	-	200	MHz	Permitted VCO output frequency of PLL (CLKVCO)
PLL Phase Jitter	T_{PSKEW}	-	-	-	± 5	ns	For CLKMC (PLL input clock) $\geq 4\text{MHz}$, jitter coming from external oscillator, crystal or resonator is not covered
Input clock pulse width	P_{WH}, P_{WL}	X0,X1	8	-	-	ns	Duty ratio is about 30% to 70%
Input clock pulse width	P_{WHL}, P_{WLL}	X0A,X1A	5	-	-	μs	

MB96330 Series



MB96330 Series

Internal Clock timing

($T_A = -40^{\circ}\text{C}$ to 125°C , $V_{CC} = AV_{CC} = 3.0\text{V}$ to 5.5V , $V_{SS} = AV_{SS} = 0\text{V}$)

Parameter	Symbol	Core Voltage Settings				Unit	Remarks
		1.8V		1.9V			
		Min	Max	Min	Max		
Internal System clock frequency (CLKS1 and CLKS2)	f_{CLKS1}, f_{CLKS2}	0	92	0	96	MHz	Others than below
		0	90	0	96	MHz	MB96F33x
Internal CPU clock frequency (CLKB), internal peripheral clock frequency (CLKP1)	f_{CLKB}, f_{CLKP1}	0	52	0	56	MHz	Others than below
		0	43.5	0	48	MHz	MB96F33x
Internal peripheral clock frequency (CLKP2)	f_{CLKP2}	0	28	0	32	MHz	
Internal peripheral clock frequency (Clock CLKP3)	f_{CLKP3}	0	43.5	0	48	MHz	MB96F33x

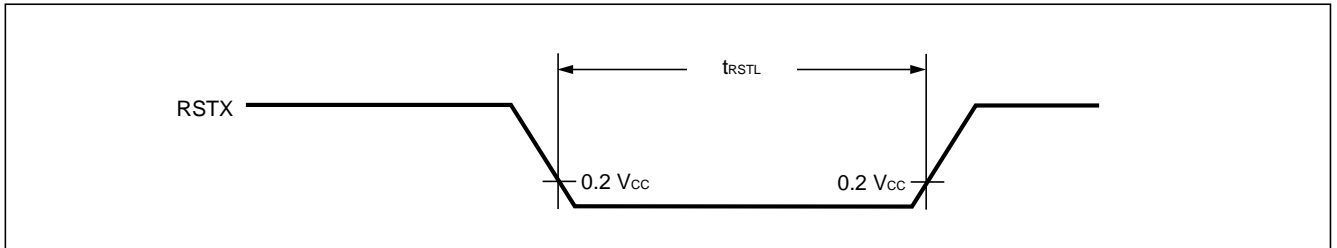
WARNING: For USB usage, it is important to change the voltage regulator setting to output 1.9V. Please refer to the chapter Standby Mode and Voltage Regulator control circuit of the hardware manual to perform such setting.

MB96330 Series

External Reset timing

($T_A = -40^\circ\text{C}$ to 125°C , $V_{CC} = AV_{CC} = 3.0\text{V}$ to 5.5V , $V_{SS} = AV_{SS} = 0\text{V}$)

Parameter	Symbol	Pin	Value			Unit	Remarks
			Min	Typ	Max		
Reset input time	t_{RSTL}	RSTX	500	-	-	ns	

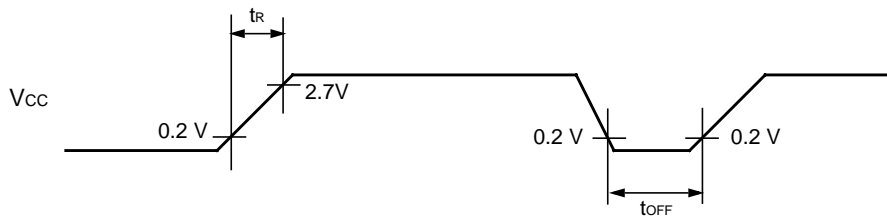


MB96330 Series

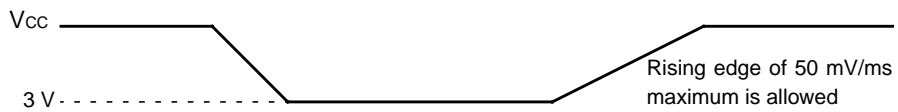
Power On Reset timing

($T_A = -40^{\circ}\text{C}$ to 125°C , $V_{CC} = AV_{CC} = 3.0\text{V}$ to 5.5V , $V_{SS} = AV_{SS} = 0\text{V}$)

Parameter	Symbol	Pin	Value			Unit	Remarks
			Min	Typ	Max		
Power on rise time	t_R	V _{CC}	0.05	-	30	ms	
Power off time	t_{OFF}	V _{CC}	1	-	-	ms	



If the power supply is changed too rapidly, a power-on reset may occur.
We recommend a smooth startup by restraining voltages when changing the power supply voltage during operation, as shown in the figure below.



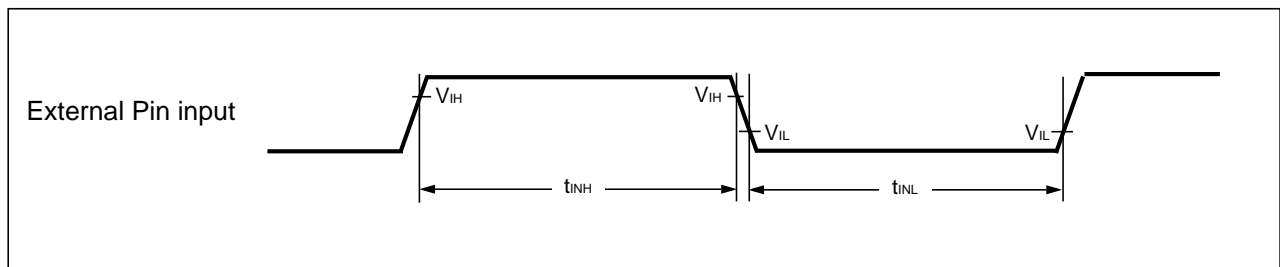
MB96330 Series

External Input timing

($T_A = -40^{\circ}\text{C}$ to 125°C , $V_{CC} = AV_{CC} = 3.0\text{V}$ to 5.5V , $V_{SS} = AV_{SS} = 0\text{V}$)

Parameter	Symbol	Pin	Condition	Value		Unit	Used Pin input function
				Min	Max		
Input pulse width	t_{INH} t_{INL}	INTn(_R)	—	200	—	ns	External Interrupt
		NMI(_R)					NMI
		Pnn_m		$2 \cdot t_{CLKP1} + 200$ ($t_{CLKP1} = 1/f_{CLKP1}$)	—	ns	General Purpose IO
		TINn(_R)					Reload Timer
		TTGn(_R)					PPG Trigger input
		ADTG(_R)					AD Converter Trigger
		FRCKn(_R)					Free Running Timer external clock
		INn(_R)					Input Capture

Note : Relocated Resource Inputs have same characteristics



MB96330 Series

External Bus timing

Note: The values given below are for an I/O driving strength $I_{Odrive} = 5mA$. If I_{Odrive} is 2mA, all the maximum output timing described in the different tables must then be increased by 10ns.

Basic Timing

($T_A = -40\text{ }^{\circ}\text{C}$ to $+125\text{ }^{\circ}\text{C}$, $V_{CC} = 5.0\text{ V} \pm 10\%$, $V_{SS} = 0.0\text{ V}$, $I_{Odrive} = 5mA$, $C_L = 50pF$)

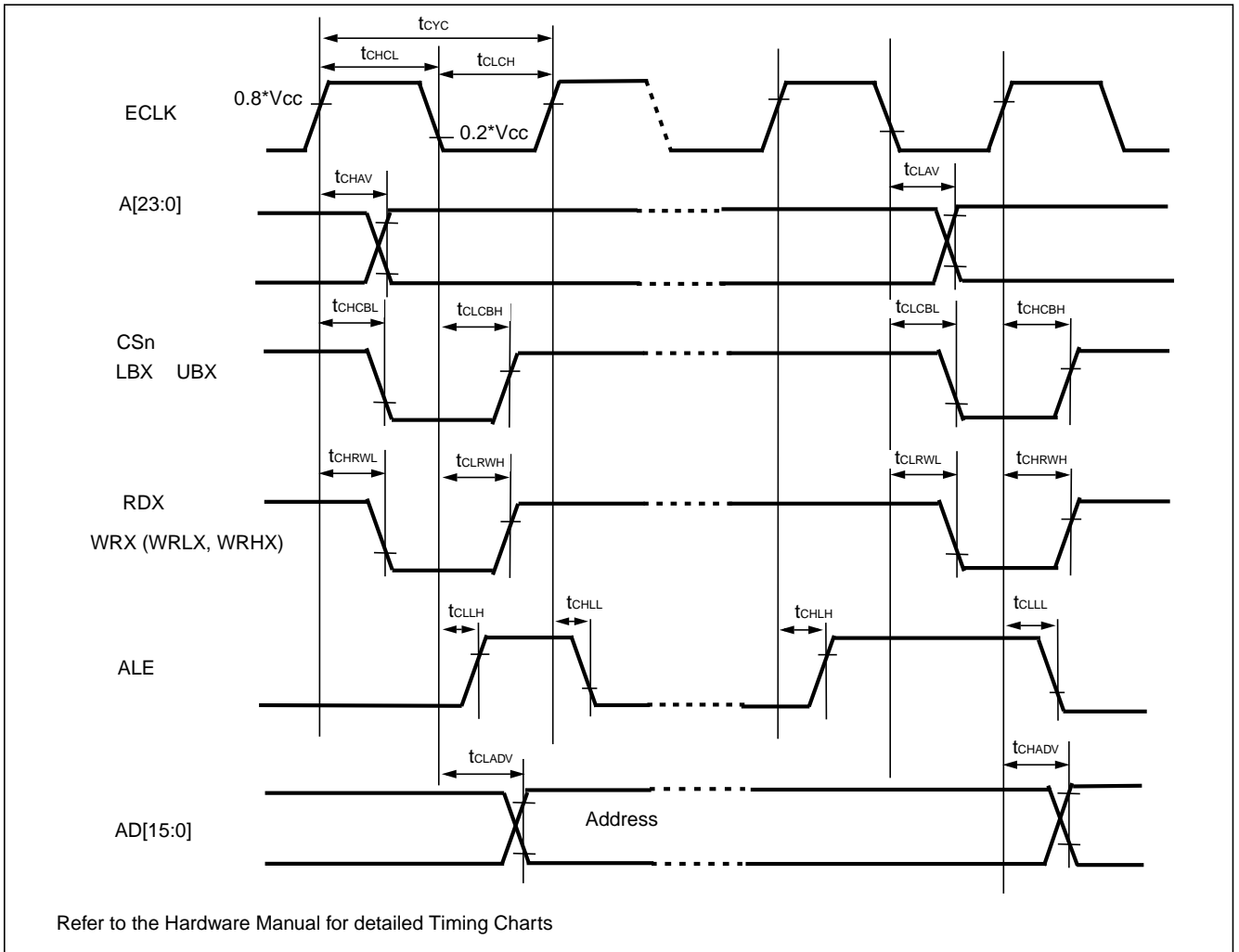
Parameter	Symbol	Pin	Condition	Value		Unit	Remarks
				Min	Max		
ECLK	t _{CYC}	ECLK	—	25	—	ns	
	t _{CHCL}			t _{CYC/2-5}	t _{CYC/2+5}		
	t _{CLCH}			t _{CYC/2-5}	t _{CYC/2+5}		
ECLK → UBX/ LBX / CSn time	t _{CHCBH}	CSn, UBX, LBX, ECLK	—	-20	20	ns	
	t _{CHCBL}			-20	20		
	t _{CLCBH}			-20	20		
	t _{CLCBL}			-20	20		
ECLK → ALE time	t _{CHLH}	ALE, ECLK	—	-10	10	ns	
	t _{CHLL}			-10	10		
	t _{CLLH}			-10	10		
	t _{CLLL}			-10	10		
ECLK → address valid time (non-multiplexed)	t _{CHAV}	A[23:0], ECLK	EBM:NMS=1	-15	15	ns	
	t _{CLAV}			-15	15		
ECLK → address valid time (multiplexed)	t _{CHAV}	A[23:16], ECLK	EBM:NMS=0	-15	15	ns	
	t _{CLAV}			-15	15		
	t _{CLADV}	AD[15:0], ECLK	EBM:NMS=0	-15	15	ns	
	t _{CHADV}			-15	15		
ECLK → RDX /WRX time	t _{CHRWH}	RDX, WRX, WRLX,WRHX, ECLK	—	-10	10	ns	
	t _{CHRWL}			-10	10		
	t _{CLRWH}			-10	10		
	t _{CLRWL}			-10	10		

MB96330 Series

($T_A = -40\text{ }^\circ\text{C}$ to $+125\text{ }^\circ\text{C}$, $V_{CC} = 3.0$ to 4.5V , $V_{SS} = 0.0\text{V}$, $I_{Odrive} = 5\text{mA}$, $C_L = 50\text{pF}$)

Parameter	Symbol	Pin	Condition	Value		Unit	Remarks
				Min	Max		
ECLK	t _{CYC}	ECLK	—	30	—	ns	
	t _{CHCL}			t _{CYC/2-8}	t _{CYC/2+8}		
	t _{CLCH}			t _{CYC/2-8}	t _{CYC/2+8}		
ECLK → UBX/ LBX / CSn time	t _{CHCBH}	CSn, UBX, LBX, ECLK	—	-25	25	ns	
	t _{CHCBL}			-25	25		
	t _{CLCBH}			-25	25		
	t _{CLCBL}			-25	25		
ECLK → ALE time	t _{CHLH}	ALE, ECLK	—	-15	15	ns	
	t _{CHLL}			-15	15		
	t _{CLLH}			-15	15		
	t _{CLLL}			-15	15		
ECLK → address valid time (non-multiplexed)	t _{CHAV}	A[23:0], ECLK	EBM:NMS=1	-20	20	ns	
	t _{CLAV}			-20	20		
ECLK → address valid time (multiplexed)	t _{CHAV}	A[23:16], ECLK	EBM:NMS=0	-20	20	ns	
	t _{CLAV}			-20	20		
	t _{CLADV}	AD[15:0], ECLK	EBM:NMS=0	-20	20	ns	
	t _{CHADV}			-20	20		
ECLK → RDX /WRX time	t _{CHRWH}	RDX, WRX, WRLX, WRHX, ECLK	—	-15	15	ns	
	t _{CHRWL}			-15	15		
	t _{CLRWH}			-15	15		
	t _{CLRWL}			-15	15		

MB96330 Series



MB96330 Series

Bus Timing (Read)

($T_A = -40\text{ }^{\circ}\text{C}$ to $+125\text{ }^{\circ}\text{C}$, $V_{CC} = 5.0\text{ V} \pm 10\%$, $V_{SS} = 0.0\text{ V}$, $I_{Odrive} = 5\text{ mA}$, $C_L = 50\text{ pF}$)

Parameter	Symbol	Pin	Conditions	Value		Unit	Remarks
				Min	Max		
ALE pulse width (multiplexed)	t _{LHLL}	ALE	EACL:STS=0 and EACL:ACE=0	t _{cyc} /2 - 5	—	ns	EBM:NMS = 0
			EACL:STS=1	t _{cyc} - 5	—		
			EACL:STS=0 and EACL:ACE=1	3t _{cyc} /2 - 5	—		
Valid address ⇒ ALE ↓ time (multiplexed)	t _{AVLL}	ALE, A[23:16],	EACL:STS=0 and EACL:ACE=0	t _{cyc} - 15	—	ns	
			EACL:STS=1 and EACL:ACE=0	3t _{cyc} /2 - 15	—		
			EACL:STS=0 and EACL:ACE=1	2t _{cyc} - 15	—		
			EACL:STS=1 and EACL:ACE=1	5t _{cyc} /2 - 15	—		
	t _{ADVLL}	ALE, AD[15:0]	EACL:STS=0 and EACL:ACE=0	t _{cyc} /2 - 15	—	ns	
			EACL:STS=1 and EACL:ACE=0	t _{cyc} - 15	—		
			EACL:STS=0 and EACL:ACE=1	3t _{cyc} /2 - 15	—		
			EACL:STS=1 and EACL:ACE=1	2t _{cyc} - 15	—		
ALE ↓ ⇒ Address valid time (multiplexed)	t _{LLAX}	ALE, AD[15:0]	EACL:STS=0	t _{cyc} /2 - 15	—	ns	
			EACL:STS=1	-15	—		
Valid address ⇒ RDX ↓ time (non-multiplexed)	t _{AVRL}	RDX, A[23:0]	EBM:NMS= 1	t _{cyc} /2 - 15	—	ns	
Valid address ⇒ RDX ↓ time (multiplexed)	t _{AVRL}	RDX, A[23:16]	EACL:ACE=0 EBM:NMS=0	3t _{cyc} /2 - 15	—	ns	
			EACL:ACE=1 EBM:NMS=0	5t _{cyc} /2 - 15	—		
	t _{ADVRL}	RDX, AD[15:0]	EACL:ACE=0 EBM:NMS=0	t _{cyc} - 15	—	ns	
			EACL:ACE=1 EBM:NMS=0	2t _{cyc} - 15	—		
Valid address ⇒ Valid data input (non-multiplexed)	t _{AVDV}	A[23:0], AD[15:0]	EBM:NMS= 1	—	2t _{cyc} - 55	ns	w/o cycle extension

MB96330 Series

($T_A = -40\text{ }^\circ\text{C}$ to $+125\text{ }^\circ\text{C}$, $V_{CC} = 5.0\text{ V} \pm 10\%$, $V_{SS} = 0.0\text{ V}$, $I_{Odrive} = 5\text{ mA}$, $C_L = 50\text{ pF}$)

Parameter	Symbol	Pin	Conditions	Value		Unit	Remarks
				Min	Max		
Valid address ⇒ Valid data input (multiplexed)	t_{AVDV}	A[23:16], AD[15:0]	EACL:ACE=0 EBM:NMS=0	—	$3t_{CYC} - 55$	ns	w/o cycle extension
			EACL:ACE=1 EBM:NMS=0	—	$4t_{CYC} - 55$		
	$t_{ADV DV}$	AD[15:0]	EACL:ACE=0 EBM:NMS=0	—	$5t_{CYC}/2 - 55$	ns	w/o cycle extension
			EACL:ACE=1 EBM:NMS=0	—	$7t_{CYC}/2 - 55$		
RDX pulse width	t_{RLRH}	RDX	—	$3 t_{CYC}/2 - 5$	—	ns	w/o cycle extension
RDX ↓ ⇒ Valid data input	t_{RLDV}	RDX, AD[15:0]	—	—	$3 t_{CYC}/2 - 50$	ns	w/o cycle extension
RDX ↑ ⇒ Data hold time	t_{RHDX}	RDX, AD[15:0]	—	0	—	ns	
Address valid ⇒ Data hold time	t_{AXDX}	A[23:0], AD[15:0]	—	0	—	ns	
RDX ↑ ⇒ ALE ↑ time	t_{RHLH}	RDX, ALE	EACL:STS=1 and EACL:ACE=1	$3t_{CYC}/2 - 10$	—	ns	
			other ECL:STS, EACL:ACE setting	$t_{CYC}/2 - 10$	—		
Valid address ⇒ ECLK ↑ time	t_{AVCH}	A[23:0], ECLK	—	$t_{CYC} - 15$	—	ns	
	t_{ADVCH}	AD[15:0], ECLK		$t_{CYC}/2 - 15$	—		
RDX ↓ ⇒ ECLK ↑ time	t_{RLCH}	RDX, ECLK	—	$t_{CYC}/2 - 10$	—	ns	
ALE ↓ ⇒ RDX ↓ time	t_{LLRL}	ALE, RDX	EACL:STS=0	$t_{CYC}/2 - 10$	—	ns	
			EACL:STS=1	- 10	—		
ECLK ↑ ⇒ Valid data input	t_{CHDV}	AD[15:0], ECLK	—	—	$t_{CYC} - 50$	ns	

MB96330 Series

($T_A = -40\text{ }^\circ\text{C}$ to $+125\text{ }^\circ\text{C}$, $V_{CC} = 3.0$ to 4.5V , $V_{SS} = 0.0\text{V}$, $I_{Odrive} = 5\text{mA}$, $C_L = 50\text{pF}$)

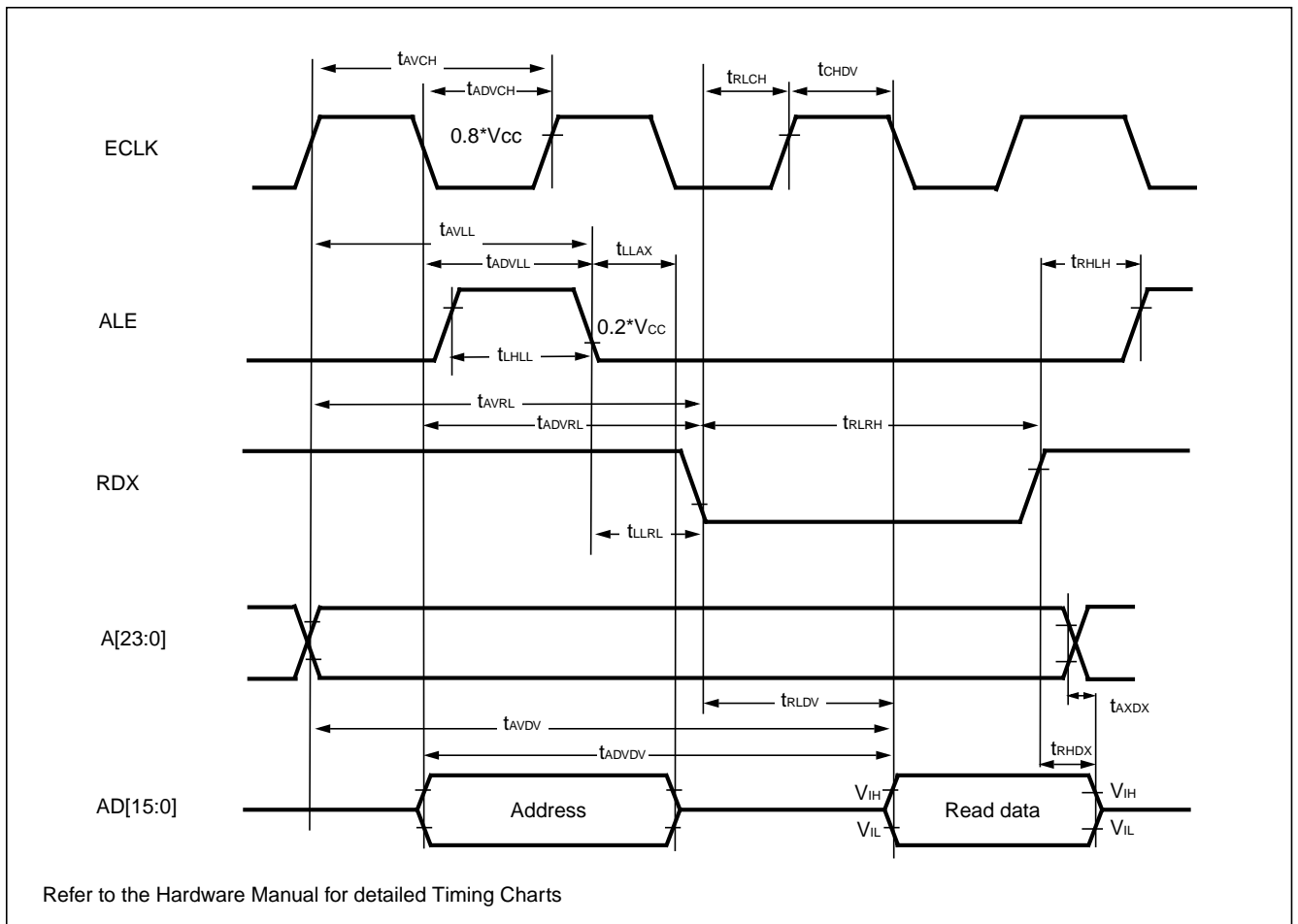
Parameter	Symbol	Pin	Conditions	Value		Unit	Remarks
				Min	Max		
ALE pulse width (multiplexed)	t_{LHLL}	ALE	EACL:STS=0 and EACL:ACE=0	$t_{cyc}/2 - 8$	—	ns	EBM:NMS = 0
			EACL:STS=1	$t_{cyc} - 8$	—		
			EACL:STS=0 and EACL:ACE=1	$3t_{cyc}/2 - 8$	—		
Valid address ⇒ ALE ↓ time (multiplexed)	t_{AVLL}	ALE, A[23:16],	EACL:STS=0 and EACL:ACE=0	$t_{cyc} - 20$	—	ns	
			EACL:STS=1 and EACL:ACE=0	$3t_{cyc}/2 - 20$	—		
			EACL:STS=0 and EACL:ACE=1	$2t_{cyc} - 20$	—		
			EACL:STS=1 and EACL:ACE=1	$5t_{cyc}/2 - 20$	—		
	t_{ADVLL}	ALE, AD[15:0]	EACL:STS=0 and EACL:ACE=0	$t_{cyc}/2 - 20$	—	ns	
			EACL:STS=1 and EACL:ACE=0	$t_{cyc} - 20$	—		
			EACL:STS=0 and EACL:ACE=1	$3t_{cyc}/2 - 20$	—		
			EACL:STS=1 and EACL:ACE=1	$2t_{cyc} - 20$	—		
ALE ↓ ⇒ Address valid time (multiplexed)	t_{LLAX}	ALE, AD[15:0]	EACL:STS=0	$t_{cyc}/2 - 20$	—	ns	
			EACL:STS=1	-20	—		
Valid address ⇒ RDX ↓ time (non-multiplexed)	t_{AVRL}	RDX, A[23:0]	EBM:NMS= 1	$t_{cyc}/2 - 20$	—	ns	
Valid address ⇒ RDX ↓ time (multiplexed)	t_{AVRL}	RDX, A[23:16]	EACL:ACE=0 EBM:NMS=0	$3t_{cyc}/2 - 20$	—	ns	
			EACL:ACE=1 EBM:NMS=0	$5t_{cyc}/2 - 20$	—		
	t_{ADVRL}	RDX, AD[15:0]	EACL:ACE=0 EBM:NMS=0	$t_{cyc} - 20$	—	ns	
			EACL:ACE=1 EBM:NMS=0	$2t_{cyc} - 20$	—		
Valid address ⇒ Valid data input (non-multiplexed)	t_{AVDV}	A[23:0], AD[15:0]	EBM:NMS= 1	—	$2t_{cyc} - 60$	ns	w/o cycle extension

MB96330 Series

($T_A = -40\text{ }^\circ\text{C}$ to $+125\text{ }^\circ\text{C}$, $V_{CC} = 3.0$ to 4.5V , $V_{SS} = 0.0\text{V}$, $I_{Odrive} = 5\text{mA}$, $C_L = 50\text{pF}$)

Parameter	Symbol	Pin	Conditions	Value		Unit	Remarks
				Min	Max		
Valid address ⇒ Valid data input (multiplexed)	t_{AVDV}	A[23:16], AD[15:0]	EACL:ACE=0 EBM:NMS=0	—	$3t_{CYC} - 60$	ns	w/o cycle extension
			EACL:ACE=1 EBM:NMS=0	—	$4t_{CYC} - 60$		
	t_{ADVDV}	AD[15:0]	EACL:ACE=0 EBM:NMS=0	—	$5t_{CYC}/2 - 60$	ns	w/o cycle extension
			EACL:ACE=1 EBM:NMS=0	—	$7t_{CYC}/2 - 60$		
RDX pulse width	t_{RLRH}	RDX	—	$3t_{CYC}/2 - 8$	—	ns	w/o cycle extension
RDX ↓ ⇒ Valid data input	t_{RLDV}	RDX, AD[15:0]	—	—	$3t_{CYC}/2 - 55$	ns	w/o cycle extension
RDX ↑ ⇒ Data hold time	t_{RHDX}	RDX, AD[15:0]	—	0	—	ns	
Address valid ⇒ Data hold time	t_{AXDX}	A[23:0]	—	0	—	ns	
RDX ↑ ⇒ ALE ↑ time	t_{RHLH}	RDX, ALE	EACL:STS=1 and EACL:ACE=1	$3t_{CYC}/2 - 15$	—	ns	
			other ECL:STS, EACL:ACE setting	$t_{CYC}/2 - 15$	—		
Valid address ⇒ ECLK ↑ time	t_{AVCH}	A[23:0], ECLK	—	$t_{CYC} - 20$	—	ns	
	t_{ADVCH}	AD[15:0], ECLK		$t_{CYC}/2 - 20$	—		
RDX ↓ ⇒ ECLK ↑ time	t_{RLCH}	RDX, ECLK	—	$t_{CYC}/2 - 15$	—	ns	
ALE ↓ ⇒ RDX ↓ time	t_{LLRL}	ALE, RDX	EACL:STS=0	$t_{CYC}/2 - 15$	—	ns	
			EACL:STS=1	- 15	—		
ECLK ↑ ⇒ Valid data input	t_{CHDV}	AD[15:0], ECLK	—	—	$t_{CYC} - 55$	ns	

MB96330 Series



Bus Timing (Write)

($T_A = -40\text{ }^\circ\text{C}$ to $+125\text{ }^\circ\text{C}$, $V_{CC} = 5.0\text{ V} \pm 10\%$, $V_{SS} = 0.0\text{ V}$, $I_{Odrive} = 5\text{ mA}$, $C_L = 50\text{ pF}$)

Parameter	Symbol	Pin	Condition	Value		Unit	Remarks
				Min	Max		
Valid address ⇒ WRX ↓ time (non-multiplexed)	t_{AVWL}	WRX, WRLX, WRHX, A[23:0]	EACL:STS=0 EBM:NMS=1	$t_{cyc}/2 - 15$	—	ns	
			EACL:STS=1 EBM:NMS=1	$t_{cyc} - 15$	—		
Valid address ⇒ WRX ↓ time (multiplexed)	t_{AVWL}	WRX, WRLX, WRHX, A[23:16]	EACL:ACE=0 EBM:NMS=0	$3t_{cyc}/2 - 15$	—	ns	
			EACL:ACE=1 EBM:NMS=0	$5t_{cyc}/2 - 15$	—		
	t_{ADVWL}	WRX, WRLX, WRHX, AD[15:0]	EACL:ACE=0 EBM:NMS=0	$t_{cyc} - 15$	—	ns	
			EACL:ACE=1 EBM:NMS=0	$2t_{cyc} - 15$	—		
WRX pulse width	t_{WLWH}	WRX, WRXL, WRHX	—	$t_{cyc} - 5$	—	ns	w/o cycle extension

MB96330 Series

($T_A = -40\text{ }^\circ\text{C}$ to $+125\text{ }^\circ\text{C}$, $V_{CC} = 5.0\text{ V} \pm 10\%$, $V_{SS} = 0.0\text{ V}$, $I_{Odrive} = 5\text{ mA}$, $C_L = 50\text{ pF}$)

Parameter	Symbol	Pin	Condition	Value		Unit	Remarks
				Min	Max		
Valid data output ⇒ WRX ↑ time	t_{DVWH}	WRX, WRLX, WRHX, AD[15:0]	—	$t_{cyc} - 20$	—	ns	w/o cycle extension
WRX ↑ ⇒ Data hold time	t_{WHDX}	WRX, WRLX, WRHX, AD[15:0]	—	$t_{cyc}/2 - 15$	—	ns	
WRX ↑ ⇒ Address valid time (non-multiplexed)	t_{WHAX}	WRX, WRLX, WRHX, A[23:0]	EACL:STS=1 EBM:NMS=1	- 15	—	ns	
			EACL:STS=0 EBM:NMS=1	$t_{cyc}/2 - 15$	—	ns	
WRX ↑ ⇒ Address valid time (multiplexed)	t_{WHAX}	WRX, WRLX, WRHX, A[23:16]	EBM:NMS=0	$t_{cyc}/2 - 15$	—	ns	
WRX ↑ ⇒ ALE ↑ time (multiplexed)	t_{WHLH}	WRX, WRLX, WRHX, ALE	EBM:ACE=1 and EACL:STS=1	$2t_{cyc} - 10$	—	ns	EBM:NMS=0
			other EBM:ACE and EACL:STS setting	$t_{cyc} - 10$	—		
WRX ↓ ⇒ ECLK ↑ time	t_{WLCH}	WRX, WRLX, WRHX, ECLK	—	$t_{cyc}/2 - 10$	—	ns	
CSn ⇒ WRX time (non-multiplexed)	t_{CSLWL}	WRX, WRLX, WRHX, CSn	EACL:STS=0 EBM:NMS=1	—	$t_{cyc}/2 - 15$	ns	
			EACL:STS=1 EBM:NMS=1	—	$t_{cyc} - 15$		
CSn ⇒ WRX time (multiplexed)	t_{CSLWL}	WRX, WRLX, WRHX, CSn	EACL:ACE=0 EBM:NMS=0	—	$3t_{cyc}/2 - 15$	ns	
			EACL:ACE=1 EBM:NMS=0	—	$5t_{cyc}/2 - 15$		
WRX ⇒ CSn time (non-multiplexed)	t_{WHCSH}	WRX, WRLX, WRHX, CSn	EACL:STS=1 EBM:NMS=1	- 15	—	ns	
			EACL:STS=0 EBM:NMS=1	$t_{cyc}/2 - 15$	—	ns	
WRX ⇒ CSn time (multiplexed)	t_{WHCSH}	WRX, WRLX, WRHX, CSn	EBM:NMS=0	$t_{cyc}/2 - 15$	—	ns	

($T_A = -40\text{ }^\circ\text{C}$ to $+125\text{ }^\circ\text{C}$, $V_{CC} = 3.0$ to 4.5 V , $V_{SS} = 0.0\text{ V}$, $I_{Odrive} = 5\text{ mA}$, $C_L = 50\text{ pF}$)

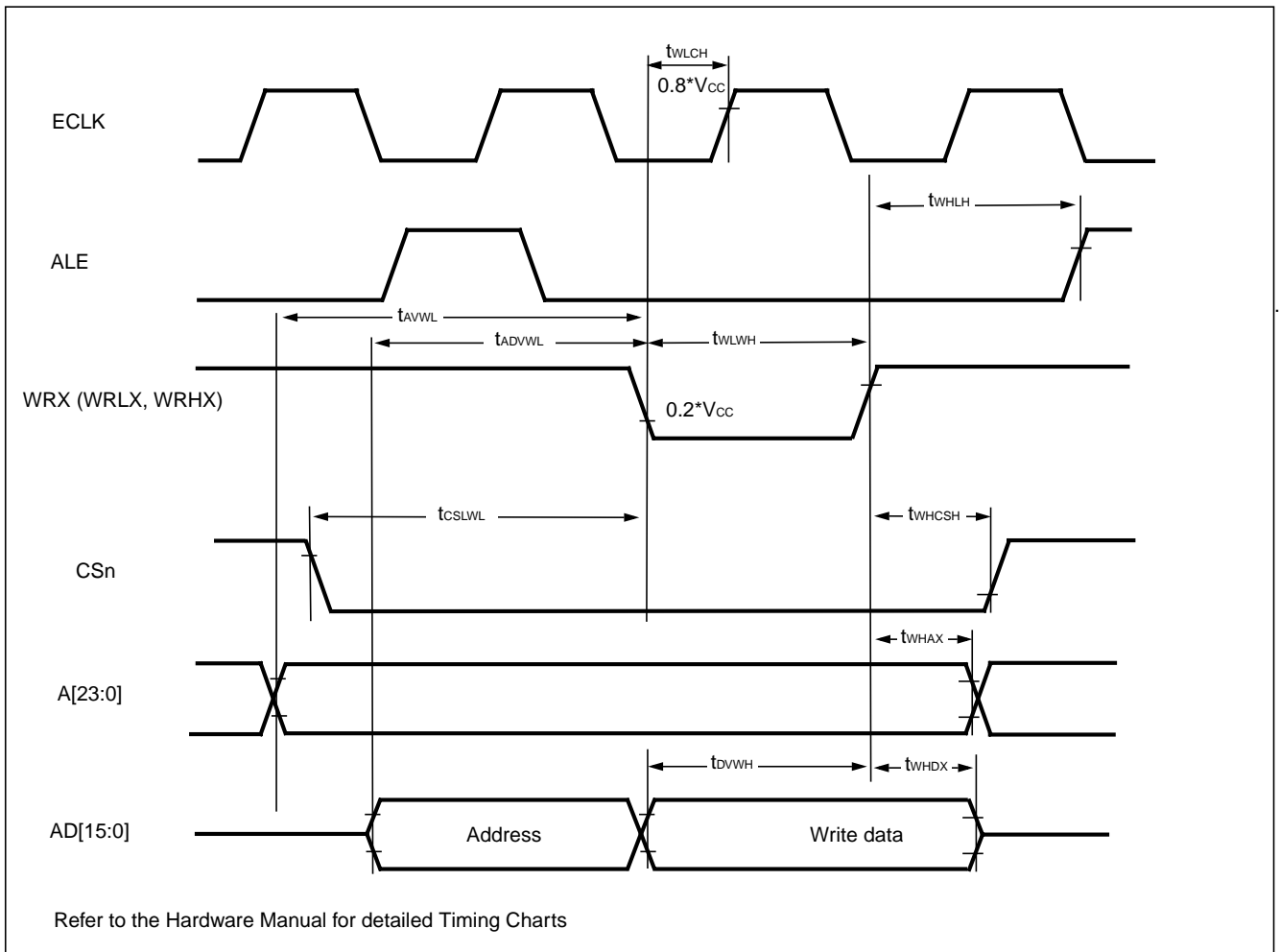
Parameter	Symbol	Pin	Condition	Value		Unit	Remarks
				Min	Max		
Valid address ⇒ WRX ↓ time (non-multiplexed)	t_{AVWL}	WRX, WRLX, WRHX, A[23:0]	EACL:STS=0 EBM:NMS=1	$t_{cyc}/2 - 20$	—	ns	
			EACL:STS=1 EBM:NMS=1	$t_{cyc} - 20$	—		

MB96330 Series

($T_A = -40\text{ }^\circ\text{C}$ to $+125\text{ }^\circ\text{C}$, $V_{CC} = 3.0$ to 4.5V , $V_{SS} = 0.0\text{V}$, $I_{Odrive} = 5\text{mA}$, $C_L = 50\text{pF}$)

Parameter	Symbol	Pin	Condition	Value		Unit	Remarks
				Min	Max		
Valid address ⇒ WRX ↓ time (multiplexed)	t_{AVWL}	WRX, WRLX, WRHX, A[23:16]	EACL:ACE=0 EBM:NMS=0	$3t_{cyc}/2 - 20$	—	ns	
			EACL:ACE=1 EBM:NMS=0	$5t_{cyc}/2 - 20$	—		
	t_{ADVWL}	WRX, WRLX, WRHX, AD[15:0]	EACL:ACE=0 EBM:NMS=0	$t_{cyc} - 20$	—	ns	
			EACL:ACE=1 EBM:NMS=0	$2t_{cyc} - 20$	—		
WRX pulse width	t_{WLWH}	WRX, WRXL, WRHX	—	$t_{cyc} - 8$	—	ns	w/o cycle extension
Valid data output ⇒ WRX ↑ time	t_{DVWH}	WRX, WRLX, WRHX, AD[15:0]	—	$t_{cyc} - 25$	—	ns	w/o cycle extension
WRX ↑ ⇒ Data hold time	t_{WHDX}	WRX, WRLX, WRHX, AD[15:0]	—	$t_{cyc}/2 - 20$	—	ns	
WRX ↑ ⇒ Address valid time (non-multiplexed)	t_{WHAX}	WRX, WRLX, WRHX, A[23:0]	EACL:STS=1 EBM:NMS=1	- 20	—	ns	
			EACL:STS=0 EBM:NMS=1	$t_{cyc}/2 - 20$	—	ns	
WRX ↑ ⇒ Address valid time (multiplexed)	t_{WHAX}	WRX, WRLX, WRHX, A[23:16]	EBM:NMS=0	$t_{cyc}/2 - 20$	—	ns	
WRX ↑ ⇒ ALE ↑ time (multiplexed)	t_{WHLH}	WRX, WRLX, WRHX, ALE	EBM:ACE=1 and EACL:STS=1	$2t_{cyc} - 15$	—	ns	EBM:NMS=0
			other EBM:ACE and EACL:STS setting	$t_{cyc} - 15$	—		
WRX ↓ ⇒ ECLK ↑ time	t_{WLCH}	WRX, WRLX, WRHX, ECLK	—	$t_{cyc}/2 - 15$	—	ns	
CSn ⇒ WRX time (non-multiplexed)	t_{CSLWL}	WRX, WRLX, WRHX, CSn	EACL:STS=0 EBM:NMS=1	—	$t_{cyc}/2 - 20$	ns	
			EACL:STS=1 EBM:NMS=1	—	$t_{cyc} - 20$		
CSn ⇒ WRX time (multiplexed)	t_{CSLWL}	WRX, WRLX, WRHX, CSn	EACL:ACE=0 EBM:NMS=0	—	$3t_{cyc}/2 - 20$	ns	
			EACL:ACE=1 EBM:NMS=0	—	$5t_{cyc}/2 - 20$		
WRX ⇒ CSn time (non-multiplexed)	t_{WHCSH}	WRX, WRLX, WRHX, CSn	EACL:STS=1 EBM:NMS=1	- 20	—	ns	
			EACL:STS=0 EBM:NMS=1	$t_{cyc}/2 - 20$	—	ns	
WRX ⇒ CSn time (multiplexed)	t_{WHCSH}	WRX, WRLX, WRHX, CSn	EBM:NMS=0	$t_{cyc}/2 - 20$	—	ns	

MB96330 Series



Ready Input Timing

($T_A = -40\text{ }^\circ\text{C}$ to $+125\text{ }^\circ\text{C}$, $V_{CC} = 5.0\text{ V} \pm 10\%$, $V_{SS} = 0.0\text{ V}$, $I_{Odrive} = 5\text{ mA}$, $C_L = 50\text{ pF}$)

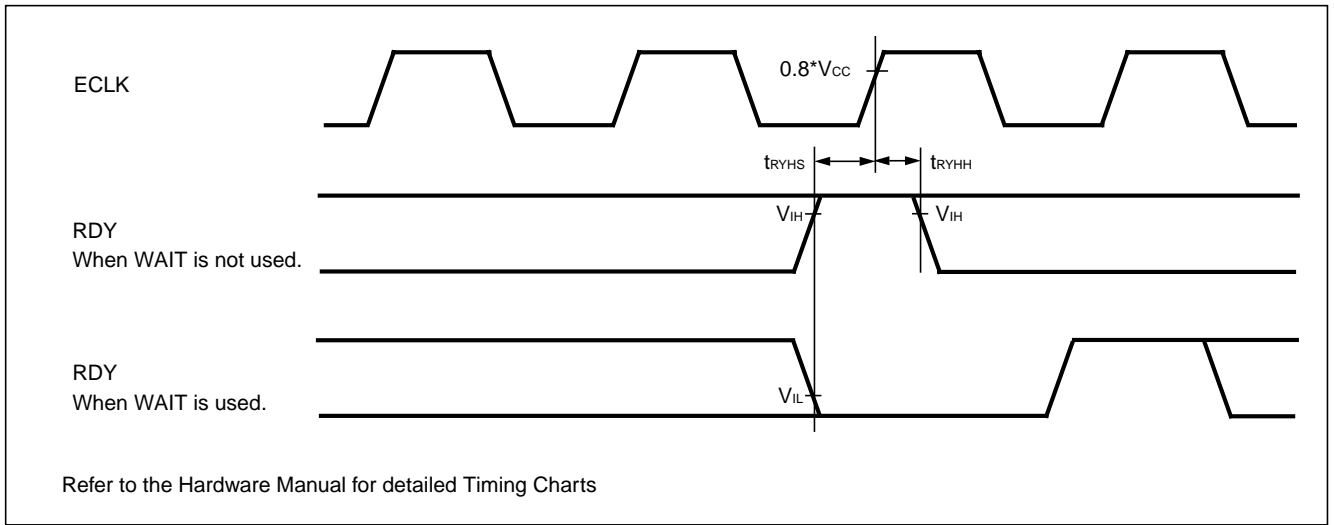
Parameter	Symbol	Pin	Test Condition	Rated Value		Units	Remarks
				Min	Max		
RDY setup time	t_{RYHS}	RDY	—	35	—	ns	
RDY hold time	t_{RYHH}	RDY		0	—	ns	

($T_A = -40\text{ }^\circ\text{C}$ to $+125\text{ }^\circ\text{C}$, $V_{CC} = 3.0$ to 4.5 V , $V_{SS} = 0.0\text{ V}$, $I_{Odrive} = 5\text{ mA}$, $C_L = 50\text{ pF}$)

Parameter	Symbol	Pin	Test Condition	Rated Value		Units	Remarks
				Min	Max		
RDY setup time	t_{RYHS}	RDY	—	45	—	ns	
RDY hold time	t_{RYHH}	RDY		0	—	ns	

Note : If the RDY setup time is insufficient, use the auto-ready function.

MB96330 Series



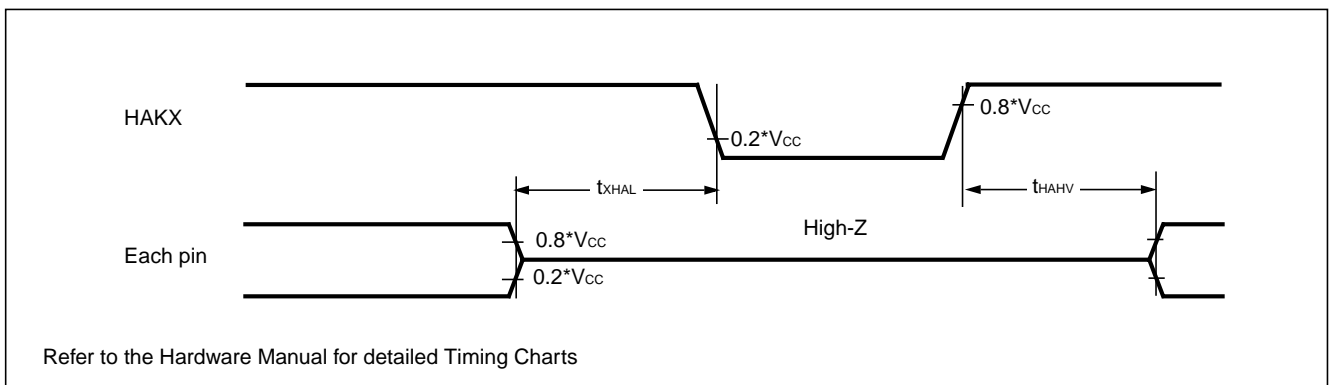
Hold Timing

($T_A = -40\text{ }^\circ\text{C}$ to $+125\text{ }^\circ\text{C}$, $V_{CC} = 5.0\text{ V} \pm 10\%$, $V_{SS} = 0.0\text{ V}$, $I_{Odrive} = 5\text{ mA}$, $C_L = 50\text{ pF}$)

Parameter	Symbol	Pin	Condition	Value		Units	Remarks
				Min	Max		
Pin floating \Rightarrow HAKX \downarrow time	t_{XHAL}	HAKX	—	$t_{CYC} - 20$	$t_{CYC} + 20$	ns	
HAKX \uparrow time \Rightarrow Pin valid time	t_{HAHV}	HAKX		$t_{CYC} - 20$	$t_{CYC} + 20$	ns	

($T_A = -40\text{ }^\circ\text{C}$ to $+125\text{ }^\circ\text{C}$, $V_{CC} = 3.0$ to 4.5 V , $V_{SS} = 0.0\text{ V}$, $I_{Odrive} = 5\text{ mA}$, $C_L = 50\text{ pF}$)

Parameter	Symbol	Pin	Condition	Value		Units	Remarks
				Min	Max		
Pin floating \Rightarrow HAKX \downarrow time	t_{XHAL}	HAKX	—	$t_{CYC} - 25$	$t_{CYC} + 25$	ns	
HAKX \uparrow time \Rightarrow Pin valid time	t_{HAHV}	HAKX		$t_{CYC} - 25$	$t_{CYC} + 25$	ns	



MB96330 Series

USART timing

WARNING: The values given below are for an I/O driving strength $I_{Odrive} = 5mA$. If I_{Odrive} is 2mA, all the maximum output timing described in the different tables must then be increased by 10ns.

($T_A = -40^{\circ}C$ to $125^{\circ}C$, $V_{CC} = 3.0V$ to $5.5V$, $V_{SS} = AV_{SS} = 0V$, $I_{Odrive} = 5mA$, $C_L = 50pF$)

Parameter	Symbol	Pin	Condition	$V_{CC} = AV_{CC} = 4.5V$ to $5.5V$		$V_{CC} = AV_{CC} = 3.0V$ to $4.5V$		Unit
				Min	Max	Min	Max	
Serial clock cycle time	t_{SCYCI}	SCKn	Internal Shift Clock Mode	$4 t_{CLKP1}$	—	$4 t_{CLKP1}$	—	ns
SCK ↓ → SOT delay time	t_{SLOVI}	SCKn, SOTn		-20	+20	-30	+30	ns
SOT → SCK ↑ delay time	t_{OVSHI}	SCKn, SOTn		$N * t_{CLKP1}$ - 20^{*1}	—	$N * t_{CLKP1}$ - 30^{*1}	—	ns
Valid SIN → SCK ↑	t_{IVSHI}	SCKn, SINn		$t_{CLKP1} +$ 45	—	$t_{CLKP1} +$ 55	—	ns
SCK ↑ → Valid SIN hold time	t_{SHIXI}	SCKn, SINn		0	—	0	—	ns
Serial clock "L" pulse width	t_{LSHE}	SCKn	External Shift Clock Mode	$t_{CLKP1} +$ 10	—	$t_{CLKP1} +$ 10	—	ns
Serial clock "H" pulse width	t_{HSLE}	SCKn		$t_{CLKP1} +$ 10	—	$t_{CLKP1} +$ 10	—	ns
SCK ↓ → SOT delay time	t_{SLOVE}	SCKn, SOTn		—	$2 t_{CLKP1}$ + 45	—	$2 t_{CLKP1}$ + 55	ns
Valid SIN → SCK ↑	t_{IVSHE}	SCKn, SINn		$t_{CLKP1}/2$ + 10	—	$t_{CLKP1}/2 +$ 10	—	ns
SCK ↑ → Valid SIN hold time	t_{SHIXE}	SCKn, SINn		$t_{CLKP1} +$ 10	—	$t_{CLKP1} +$ 10	—	ns
SCK fall time	t_{FE}	SCKn		—	20	—	20	ns
SCK rise time	t_{RE}	SCKn		—	20	—	20	ns

Notes: • AC characteristic in CLK synchronized mode.

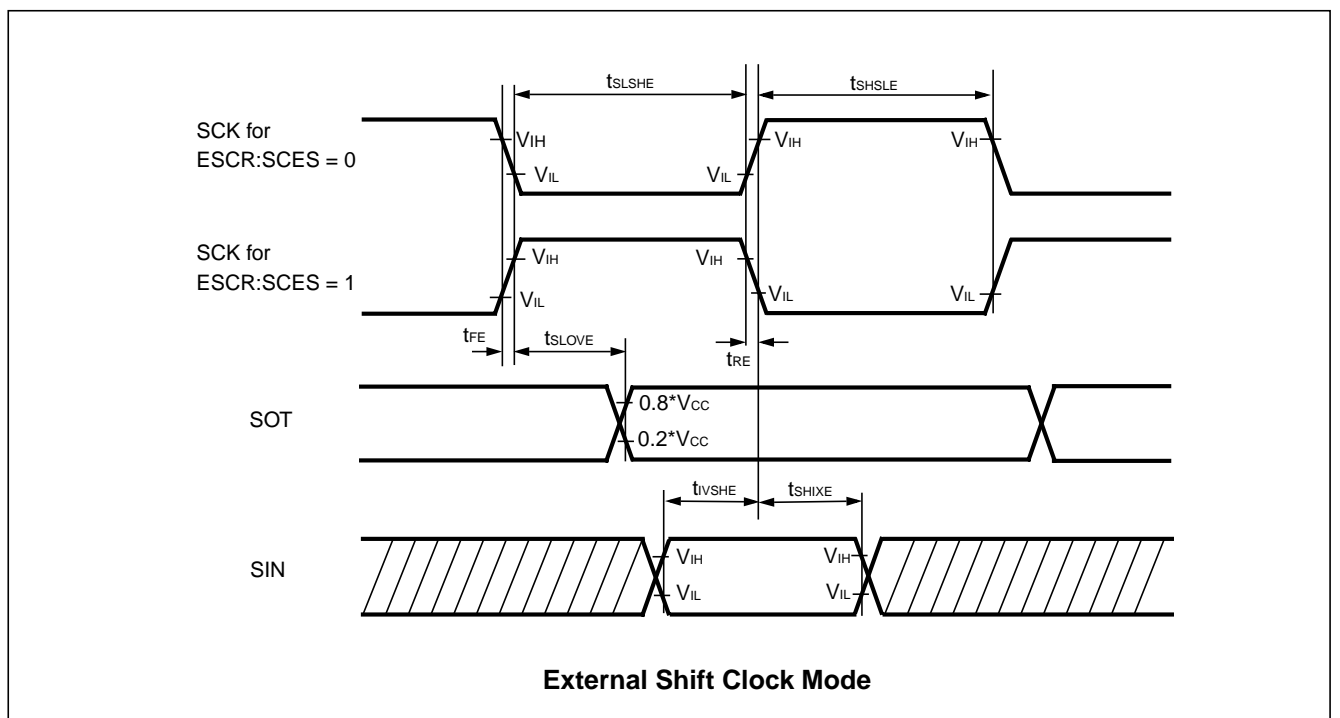
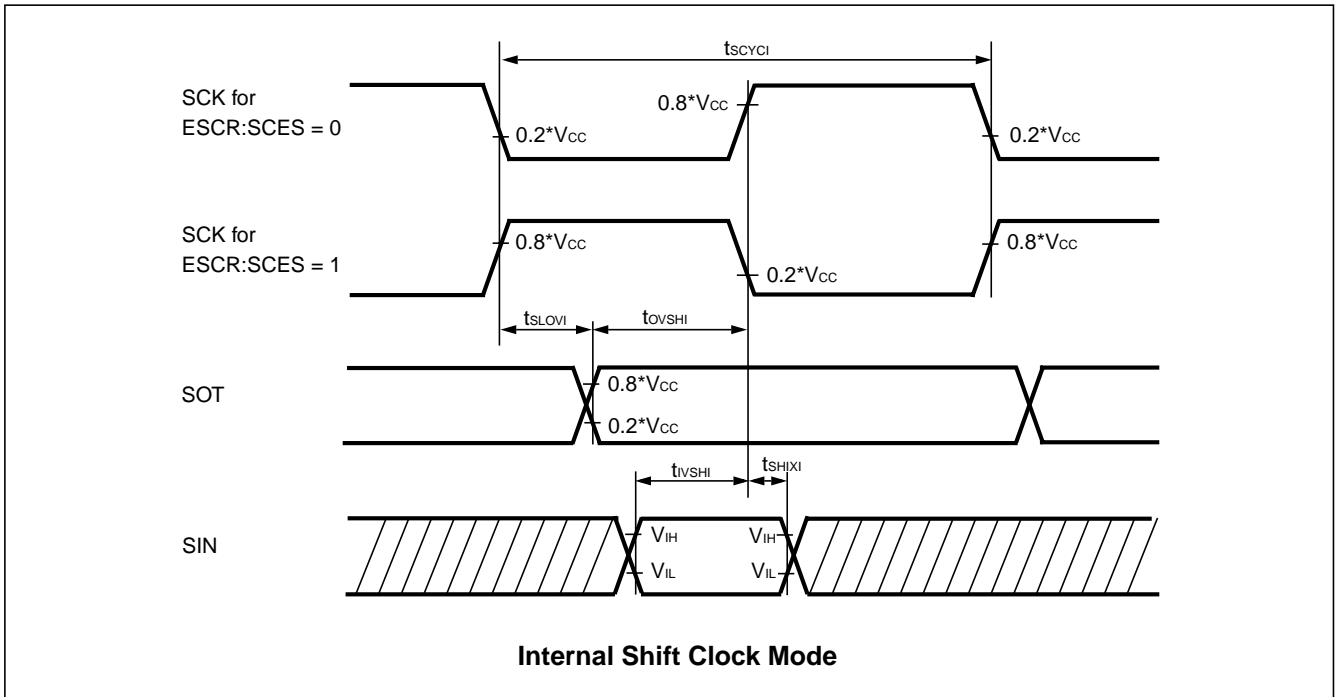
- C_L is the load capacity value of pins when testing.
- Depending on the used machine clock frequency, the maximum possible baud rate can be limited by some parameters. These parameters are shown in "MB96300 Super series HARDWARE MANUAL"
- t_{CLKP1} is the cycle time of the peripheral clock 1 (CLKP1), Unit : ns

*1: Parameter N depends on t_{SCYCI} and can be calculated as follows:

- if $t_{SCYCI} = 2 * k * t_{CLKP1}$, then $N = k$, where k is an integer > 2
- if $t_{SCYCI} = (2 * k + 1) * t_{CLKP1}$, then $N = k + 1$, where k is an integer > 1

Examples:

t_{SCYCI}	N
$4 * t_{CLKP1}$	2
$5 * t_{CLKP1}, 6 * t_{CLKP1}$	3
$7 * t_{CLKP1}, 8 * t_{CLKP1}$	4
...	...



MB96330 Series

I²C Timing

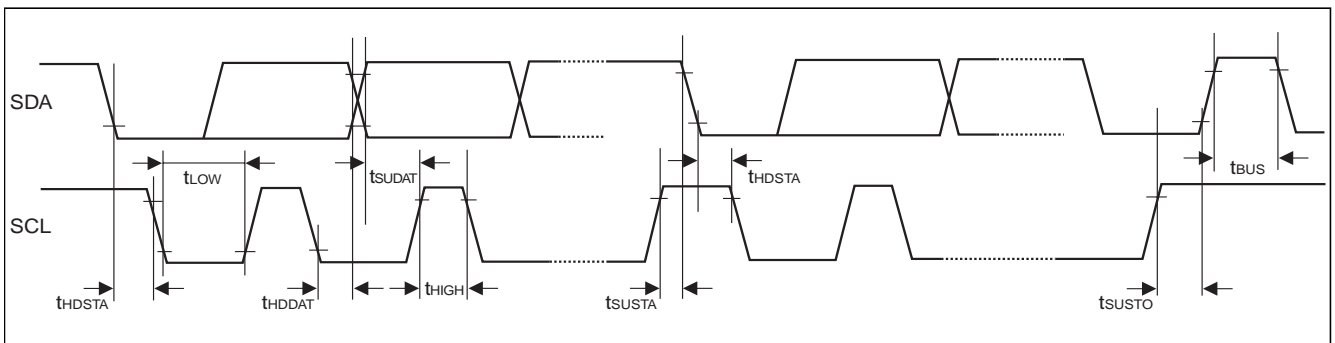
(T_A = -40°C to 125°C, V_{CC} = AV_{CC} = 3.0V to 5.5V, V_{SS} = AV_{SS} = 0V)

Parameter	Symbol	Standard-mode		Fast-mode*1		Unit
		Min	Max	Min	Max	
SCL clock frequency	f _{SCL}	0	100	0	400	kHz
Hold time (repeated) START condition SDA↓→SCL↓	t _{HDSTA}	4.0	—	0.6	—	μs
“L” width of the SCL clock	t _{LOW}	4.7	—	1.3	—	μs
“H” width of the SCL clock	t _{HIGH}	4.0	—	0.6	—	μs
Set-up time for a repeated START condition SCL↑→SDA↓	t _{SUSTA}	4.7	—	0.6	—	μs
Data hold time SCL↓→SDA↓↑	t _{HDDAT}	0	3.45	0	0.9	μs
Data set-up time SDA↓↑→SCL↑	t _{SUDAT}	250	—	100	—	ns
Set-up time for STOP condition SCL↑→SDA↑	t _{SUSTO}	4.0	—	0.6	—	μs
Bus free time between a STOP and START condition	t _{BUS}	4.7	—	1.3	—	μs
Output fall time from 0.7*V _{CC} to 0.3*V _{CC} with a bus capacitance from 10 pF to 400 pF	t _{of}	20 + 0.1*C _b *2	250	20 + 0.1*C _b *2	250	ns
Capacitive load for each bus line	C _b	—	400	—	400	pF
Pulse width of spikes which will be suppressed by input noise filter	t _{SP}	n/a	n/a	0	1*t _{CLKP1} *3	ns

*1 : For use at over 100 kHz, set the peripheral clock 1 to at least 6 MHz.

*2 : C_b = capacitance of one bus line in pF.

*3 : t_{CLKP1} is the cycle time of the peripheral clock CLKP1.



- V_{OH} = 0.7 * V_{CC}
- V_{OL} = 0.3 * V_{CC}
- CMOS Hysteresis 0.7/0.3 input selected

MB96330 Series

5. USB Characteristics

($T_A = -40^{\circ}\text{C}$ to 105°C , $V_{CC} = AV_{CC} = 3.0\text{V}$ to 5.5V , $V_{SS} = AV_{SS} = 0\text{V}$, $V_{CC3} = 3.0\text{V}$ to 3.6V , USB pins UDP and UDM)

Parameter	Symbol	Conditions	Value		Unit	Remarks	
			Min	Max			
Input characteristics	Input High level voltage	V_{IH}	—	2.0	$V_{CC} + 0.3$	V	*1
	Input Low level voltage	V_{IL}	—	$V_{SS} - 0.3$	0.8	V	*1
	Differential input sensitivity	V_{DI}	—	0.2	—	V	*2
	Differential common mode input voltage	V_{CM}	—	0.8	2.5	V	*2
Output characteristics	Output High level voltage	V_{OH}	External pull-down resistance = $15\text{ k}\Omega$	2.8	3.6	V	*3
	Output Low level voltage	V_{OL}	External pull-up resistance = $1.5\text{ k}\Omega$	0.0	0.3	V	*3
	Crossover voltage	V_{CRS}	—	1.3	2.0	V	*4
	Rise time	t_{FR}	—	4	20	nS	*5
	Fall time	t_{FF}	—	4	20	nS	*5
	Rise/fall time matching	t_{RFM}	—	90	111.11	%	*5
	Output impedance	Z_{DRV}	—	28	44	Ω	Including $R_s = 27\ \Omega$
Input capacitance	Transceiver edge rate control capacitance	C_{EDGE}	—	—	75	pF	*6
Series resistance		R_s	—	25	30	Ω	Recommended value: $27\ \Omega$

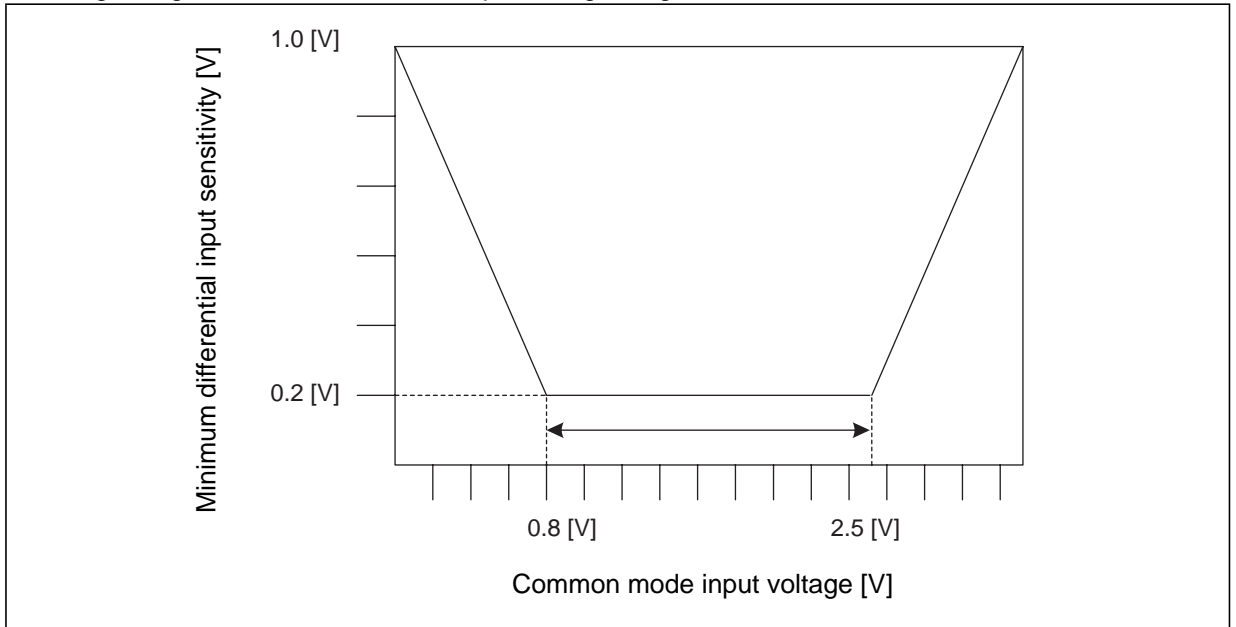
*1 : The switching threshold voltage of Single-End-Receiver of USB I/O buffer is set as within V_{IL} (Max) = 0.8 [V], V_{IH} (Min) = 2.0 [V] (TTL input standard).
There are some hystereses to lower noise sensitivity.

(Continued)

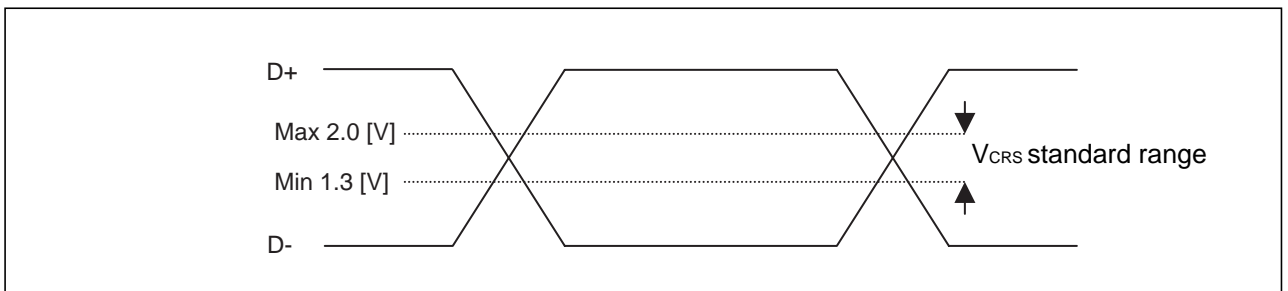
MB96330 Series

(Continued)

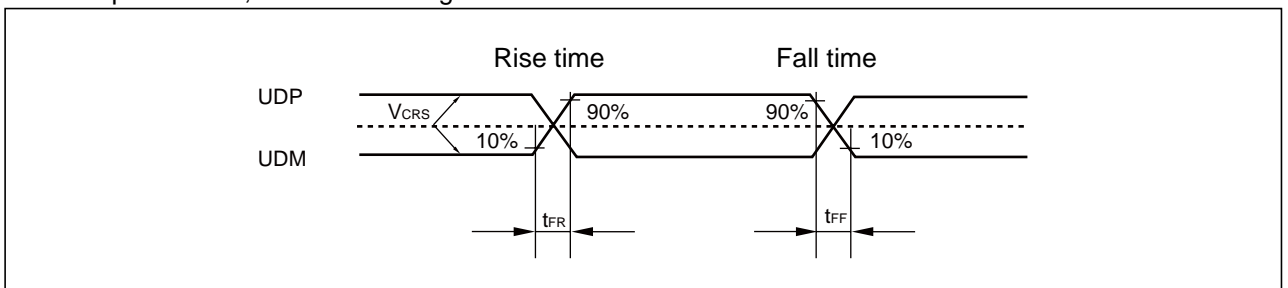
- *2 : Use differential-Receiver to receive USB differential data signal.
Differential-Receiver has 200 [mV] of differential input sensitivity when the differential data input is within 0.8 [V] to 2.5 [V] to the local ground reference level.
Above voltage range is the common mode input voltage range.



- *3 : The output drive capability of the driver is below 0.3 [V] at Low-State (V_{OL}) (to 3.6 [V] and 1.5 k Ω load), and 2.8 [V] or above (to the V_{SS} and 1.5 k Ω load).
- *4 : The cross voltage of the external differential output signal ($D+ / D-$) of USB I/O buffer is within 1.3 [V] to 2.0 [V].



- *5 : Regarding t_{FR} , t_{FF} , t_{RFM}
They indicate rise time (Trise) and fall time (Tfall) of the differential data signal.
They are defined by the time between 10% to 90% of the output signal voltage.
For full-speed buffer, t_{FR}/t_{FF} ratio is regulated as within $\pm 10\%$ to minimize RFI emission.



(Continued)

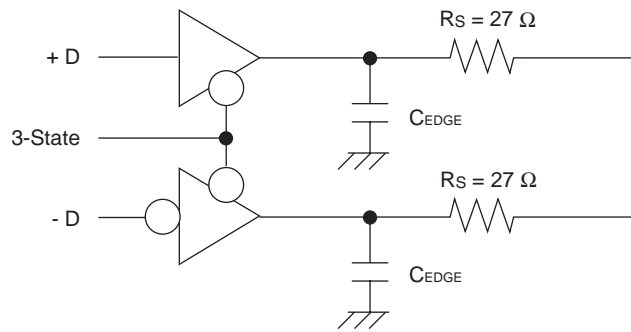
MB96330 Series

(Continued)

*6 : The place to connect transceiver edge rate control capacitance C_{EDGE}

For this USB I/O, it is recommended to use C_{EDGE} control capacitor.

For USB Max standard as 75 pF, please control the edge characteristic of output waveform by connecting 30 to 50 [pF] (recommended value : 47 [pF] \pm 50[pF]) to D + and D - lines when implementing on the board.



Driver output impedance 3 Ω to 19 Ω

R_s serial resistance value 25 Ω to 30 Ω

Please apply 27 Ω of serial resistance value as a recommended value.

MB96330 Series

6. Analog Digital Converter

($T_A = -40\text{ }^\circ\text{C}$ to $+125\text{ }^\circ\text{C}$, $3.0\text{ V} \leq \text{AVRH} - \text{AVRL}$, $V_{CC} = \text{AV}_{CC} = 3.0\text{V}$ to 5.5V , $V_{SS} = \text{AV}_{SS} = 0\text{V}$)

Parameter	Symbol	Pin	Value			Unit	Remarks
			Min	Typ	Max		
Resolution	-	-	-	-	10	bit	
Total error	-	-	-	-	± 3	LSB	
Nonlinearity error	-	-	-	-	± 2.5	LSB	
Differential nonlinearity error	-	-	-	-	± 1.9	LSB	
Zero transition voltage	V_{OT}	ANn	AVRL - 1.5 LSB	AVRL + 0.5 LSB	AVRL + 2.5 LSB	V	
Full scale transition voltage	V_{FST}	ANn	AVRH - 3.5 LSB	AVRH - 1.5 LSB	AVRH + 0.5 LSB	V	
Compare time	-	-	1.0	-	16,500	μs	$4.5\text{V} \leq \text{AV}_{CC} \leq 5.5\text{V}$
			2.0	-	-	μs	$3.0\text{V} \leq \text{AV}_{CC} < 4.5\text{V}$
Sampling time	-	-	0.5	-	-	μs	$4.5\text{V} \leq \text{AV}_{CC} \leq 5.5\text{V}$
			1.2	-	-	μs	$3.0\text{V} \leq \text{AV}_{CC} < 4.5\text{V}$
Analog input leakage current (during conversion)	I_{AIN}	ANn	-1	-	+1	μA	$T_A \leq 105\text{ }^\circ\text{C}$, AV _{SS} , AVRL < V _I < AV _{CC} , AVRH
			-1.2	-	+1.2	μA	$105\text{ }^\circ\text{C} < T_A \leq 125\text{ }^\circ\text{C}$, AV _{SS} , AVRL < V _I < AV _{CC} , AVRH
Analog input voltage range	V_{AIN}	ANn	AVRL	-	AVRH	V	
Reference voltage range	AVRH	AVRH	0.75 AV _{CC}	-	AV _{CC}	V	
	AVRL	AVRL	AV _{SS}	-	0.25 AV _{CC}	V	
Power supply current	I_A	AV _{CC}	-	2.5	5	mA	A/D Converter active
	I_{AH}	AV _{CC}	-	-	5	μA	A/D Converter not operated
Reference voltage current	I_R	AVRH/ AVRL	-	0.7	1	mA	A/D Converter active
	I_{RH}	AVRH/ AVRL	-	-	5	μA	A/D Converter not operated
Offset between input channels	-	ANn	-	-	4	LSB	

Note: The accuracy gets worse as $|\text{AVRH} - \text{AVRL}|$ becomes smaller.

Definition of A/D Converter Terms

Resolution: Analog variation that is recognized by an A/D converter.

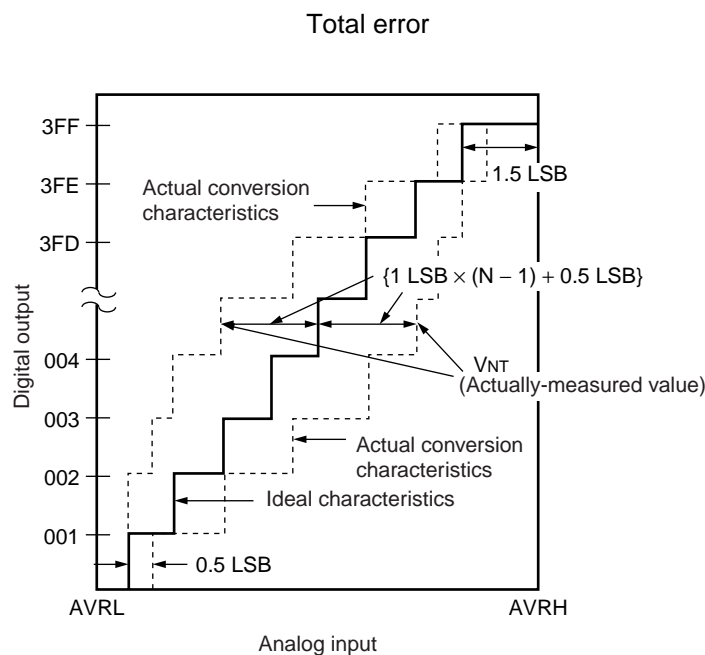
Total error: Difference between the actual value and the ideal value. The total error includes zero transition error, full-scale transition error and nonlinearity error.

Nonlinearity error: Deviation between a line across zero-transition line ("00 0000 0000" <--> "00 0000 0001") and full-scale transition line ("11 1111 1110" <--> "11 1111 1111") and actual conversion characteristics.

Differential nonlinearity error: Deviation of input voltage, which is required for changing output code by 1 LSB, from an ideal value.

Zero reading voltage: Input voltage which results in the minimum conversion value.

Full scale reading voltage: Input voltage which results in the maximum conversion value.



$$\text{Total error of digital output "N"} = \frac{V_{NT} - \{1 \text{ LSB} \times (N - 1) + 0.5 \text{ LSB}\}}{1 \text{ LSB}} \quad [\text{LSB}]$$

$$1 \text{ LSB} = (\text{Ideal value}) \frac{AVRH - AVRL}{1024} \quad [\text{V}]$$

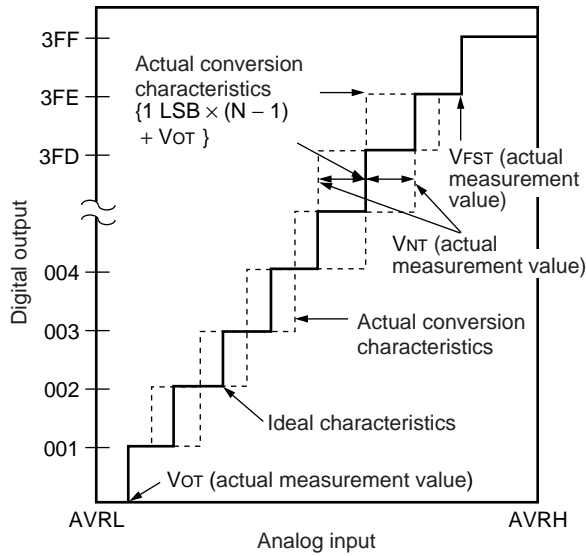
N: A/D converter digital output value

$$V_{OT} (\text{Ideal value}) = AVRL + 0.5 \text{ LSB} \quad [\text{V}]$$

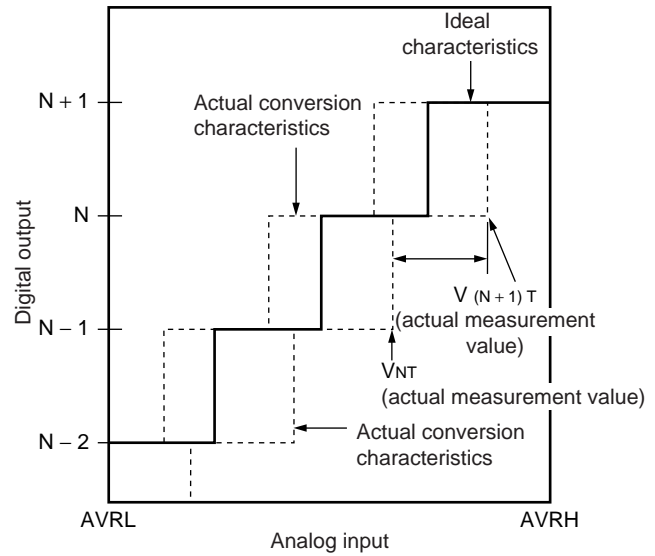
$$V_{FST} (\text{Ideal value}) = AVRH - 1.5 \text{ LSB} \quad [\text{V}]$$

V_{NT} : A voltage at which digital output transitions from (N - 1) to N.

Nonlinearity error



Differential nonlinearity error



$$\text{Nonlinearity error of digital output } N = \frac{V_{NT} - \{1 \text{ LSB} \times (N - 1) + V_{OT}\}}{1 \text{ LSB}} \text{ [LSB]}$$

$$\text{Differential nonlinearity error of digital output } N = \frac{V_{(N+1)T} - V_{NT}}{1 \text{ LSB}} - 1 \text{ LSB [LSB]}$$

$$1 \text{ LSB} = \frac{V_{FST} - V_{OT}}{1022} \text{ [V]}$$

N : A/D converter digital output value

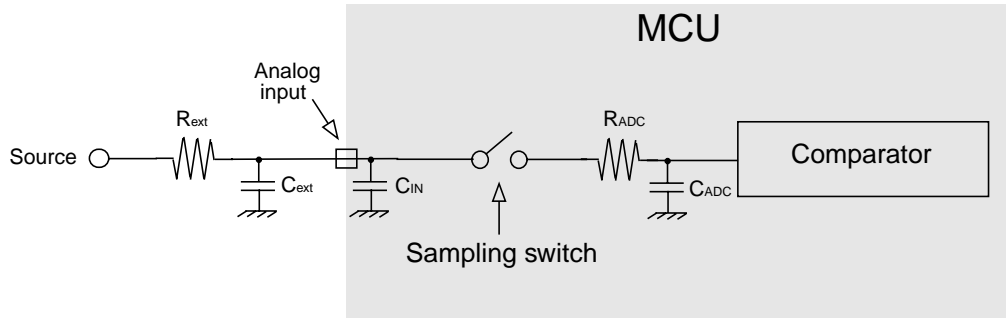
V_{OT} : Voltage at which digital output transits from "000_H" to "001_H."

V_{FST} : Voltage at which digital output transits from "3FE_H" to "3FF_H."

Accuracy and setting of the A/D Converter sampling time

If the external impedance is too high or the sampling time too short, the analog voltage charged to the internal sample and hold capacitor is insufficient, adversely affecting the A/D conversion precision.

To satisfy the A/D conversion precision, a sufficient sampling time must be selected. The required sampling time depends on the external driving impedance R_{ext} , the board capacitance of the A/D converter input pin C_{ext} and the AV_{cc} voltage level. The following replacement model can be used for the calculation:



R_{ext} : external driving impedance

C_{ext} : capacitance of PCB at A/D converter input

C_{IN} : capacitance of MCU input pin: 15pF (max)

R_{ADC} : resistance within MCU: 2.6k Ω (max) for 4.5V \leq AV_{cc} \leq 5.5V
12k Ω (max) for 3.0V \leq AV_{cc} $<$ 4.5V

C_{ADC} : sampling capacitance within MCU: 10pF (max)

The sampling time should be set to minimum "7 τ ". The following approximation formula for the replacement model above can be used:

$$T_{s\text{amp}} [\text{min}] = 7 \times (R_{ext} \times (C_{ext} + C_{IN}) + (R_{ext} + R_{ADC}) \times C_{ADC})$$

- Do not select a sampling time below the absolute minimum permitted value (0.5 μ s for 4.5V \leq AV_{cc} \leq 5.5V; 1.2 μ s for 3.0V \leq AV_{cc} $<$ 4.5V).
- If the sampling time cannot be sufficient, connect a capacitor of about 0.1 μ F to the analog input pin. In this case the internal sampling capacitance C_{ADC} will be charged out of this external capacitance.
- A big external driving impedance also adversely affects the A/D conversion precision due to the pin input leakage current I_{IL} (static current before the sampling switch) or the analog input leakage current I_{AIN} (total leakage current of pin input and comparator during sampling). The effect of the pin input leakage current I_{IL} cannot be compensated by an external capacitor.
- The accuracy gets worse as $|AVRH - AVRL|$ becomes smaller.

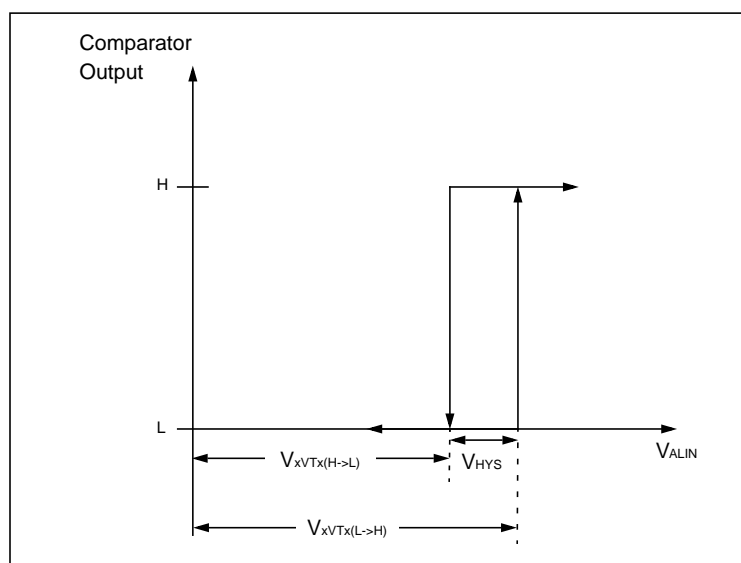
MB96330 Series

7. Alarm Comparator

($T_A = -40\text{ }^{\circ}\text{C}$ to $+125\text{ }^{\circ}\text{C}$, $V_{CC} = AV_{CC} = 3.0\text{V} - 5.5\text{V}$, $V_{SS} = AV_{SS} = 0\text{V}$)

Parameter	Symbol	Pin	Value			Unit	Remarks
			Min	Typ	Max		
Power supply current	I_{A5ALMF}	AV_{CC}	-	25	45	μA	Alarm comparator enabled in fast mode (one channel)
	I_{A5ALMS}		-	7	13	μA	Alarm comparator enabled in slow mode (one channel)
	I_{A5ALMH}		-	-	5	μA	Alarm comparator disabled
ALARM pin input current	I_{ALIN}	$ALARM0,$ $ALARM1$	-1	-	+1	μA	$T_A = 25\text{ }^{\circ}\text{C}$
			-3	-	+3	μA	$T_A = 125\text{ }^{\circ}\text{C}$
ALARM pin input voltage range	V_{ALIN}		0	-	AV_{CC}	V	
External low threshold high->low transition	$V_{EVTL(H->L)}$		$0.36 * AV_{CC} - 0.25$	$0.36 * AV_{CC} - 0.1$	-	V	INTREF = 0
External low threshold low->high transition	$V_{EVTL(L->H)}$		-	$0.36 * AV_{CC} + 0.1$	$0.36 * AV_{CC} + 0.25$	V	
External high threshold high->low transition	$V_{EVTH(H->L)}$		$0.78 * AV_{CC} - 0.25$	$0.78 * AV_{CC} - 0.1$	-	V	
External high threshold low->high transition	$V_{EVTH(L->H)}$			$0.78 * AV_{CC} + 0.1$	$0.78 * AV_{CC} + 0.25$	V	
Internal low threshold high->low transition	$V_{IVTL(H->L)}$		0.9	1.1	-	V	INTREF = 1
Internal low threshold low->high transition	$V_{IVTL(L->H)}$		-	1.3	1.55	V	
Internal high threshold high->low transition	$V_{IVTH(H->L)}$		2.2	2.4	-	V	
Internal high threshold low->high transition	$V_{IVTH(L->H)}$		-	2.6	2.85	V	
Switching hysteresis	V_{HYS}		50	-	300	mV	
Comparison time	t_{COMPF}	-	0.1	1	μs	CMD = 1 (fast)	
	t_{COMPS}	-	1	10	μs	CMD = 0 (slow)	
Power-up stabilization time after enabling alarm comparator	t_{PD}	-	1	10	ms	Threshold levels specified above are not guaranteed within this time	
Slow/Fast mode transition time	t_{CMD}	-	100	500	μs		

MB96330 Series



MB96330 Series

8. Low Voltage Detector characteristics

($T_A = -40\text{ }^{\circ}\text{C}$ to $+125\text{ }^{\circ}\text{C}$, $V_{CC} = AV_{CC} = 3.0\text{V} - 5.5\text{V}$, $V_{SS} = AV_{SS} = 0\text{V}$)

Parameter	Symbol	Value		Unit	Remarks
		Min	Max		
Stabilization time	$T_{LV DSTAB}$	-	75	μs	After power-up or change of detection level
Level 0	V_{DL0}	2.7	2.9	V	CILCR:LVL[3:0]="0000"
Level 1	V_{DL1}	2.9	3.1	V	CILCR:LVL[3:0]="0001"
Level 2	V_{DL2}	3.1	3.3	V	CILCR:LVL[3:0]="0010"
Level 3	V_{DL3}	3.5	3.75	V	CILCR:LVL[3:0]="0011"
Level 4	V_{DL4}	3.6	3.85	V	CILCR:LVL[3:0]="0100"
Level 5	V_{DL5}	3.7	3.95	V	CILCR:LVL[3:0]="0101"
Level 6	V_{DL6}	3.8	4.05	V	CILCR:LVL[3:0]="0110"
Level 7	V_{DL7}	3.9	4.15	V	CILCR:LVL[3:0]="0111"
Level 8	V_{DL8}	4.0	4.25	V	CILCR:LVL[3:0]="1000"
Level 9	V_{DL9}	4.1	4.35	V	CILCR:LVL[3:0]="1001"
Level 10	V_{DL10}	not used			
Level 11	V_{DL11}	not used			
Level 12	V_{DL12}	not used			
Level 13	V_{DL13}	not used			
Level 14	V_{DL14}	not used			
Level 15	V_{DL15}	not used			

CILCR:LVL[3:0] are the low voltage detector level select bits of the CILCR register.

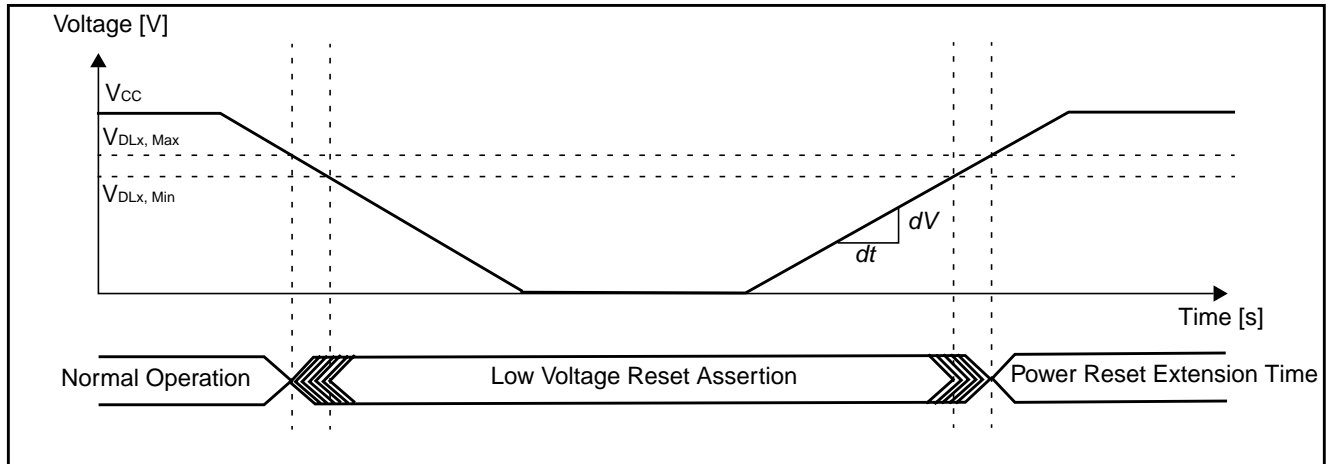
For correct detection, the slope of the voltage level must satisfy $\left| \frac{dV}{dt} \right| \leq 0.004 \frac{\text{V}}{\mu\text{s}}$.

Faster variations are regarded as noise and may not be detected.

The functional operation of the MCU is guaranteed down to the minimum low voltage detection level of "Level 0" (V_{DL0_MIN}). The electrical characteristics however are only valid in the specified range (usually down to 3.0V).

Low Voltage Detector Operation

In the following figure, the occurrence of a low voltage condition is illustrated. For a detailed description of the reset and startup behavior, please refer to the corresponding hardware manual chapter.



9. FLASH memory program/erase characteristics

($T_A = -40^{\circ}\text{C}$ to 105°C , $V_{CC} = AV_{CC} = 3.0\text{V}$ to 5.5V , $V_{SS} = AV_{SS} = 0\text{V}$)

Parameter	Value			Unit	Remarks
	Min	Typ	Max		
Sector erase time	-	0.9	3.6	s	Without erasure pre-programming time
Chip erase time	-	n*0.9	n*3.6	s	Without erasure pre-programming time (n is the number of Flash sector of the device)
Word (16-bit width) programming time	-	23	370	us	Without overhead time for submitting write command
Program/Erase cycle	10 000	-	-	cycle	
Flash data retention time	20	-	-	year	*1

*1: This value was converted from the results of evaluating the reliability of the technology (using Arrhenius equation to convert high temperature measurements into normalized value at 85°C)

MB96330 Series

■ EXAMPLE CHARACTERISTICS

1. Temperature dependency of power supply currents

The following diagrams show the current consumption of samples with typical wafer process parameters in different operation modes.

Common condition for all operation modes:

- $V_{CC} = AV_{CC} = 5.0V$
- Main clock = 4MHz external clock
- Sub clock = 32kHz external clock

Operation mode details:

Mode name	Details
PLL Run 48/96	PLL Run mode current I_{CCPLL} with the following settings: <ul style="list-style-type: none"> • $f_{CLKS1} = f_{CLKS2} = 96MHz$ • $f_{CLKB} = f_{CLKP1} = f_{CLKP3} = 48MHz$ • $f_{CLKP2} = 24MHz$ • Regulator in High Power Mode • Core voltage at 1.9V (VRCCR:HPM[1:0] = 11_B) • 1 Flash/ROM wait states (MTCRA=6B09_H) • RC oscillator and Sub oscillator stopped
PLL Run 48/48	PLL Run mode current I_{CCPLL} with the following settings: <ul style="list-style-type: none"> • $f_{CLKS1} = f_{CLKS2} = f_{CLKB} = f_{CLKP1} = f_{CLKP3} = 48MHz$ • $f_{CLKP2} = 24MHz$ • Regulator in High Power Mode • Core voltage at 1.9V (VRCCR:HPM[1:0] = 11_B) • 2 Flash/ROM wait states (MTCRA=233A_H) • RC oscillator and Sub oscillator stopped
PLL Run 24	PLL Run mode current I_{CCPLL} with the following settings: <ul style="list-style-type: none"> • $f_{CLKS1} = f_{CLKS2} = f_{CLKP3} = 48MHz$ • $f_{CLKB} = f_{CLKP1} = f_{CLKP2} = 24MHz$ • Regulator in High Power Mode • Core voltage at 1.8V (VRCCR:HPM[1:0] = 10_B) • 0 Flash/ROM wait states (MTCRA=2208_H) • RC oscillator and Sub oscillator stopped
Main Run	Main Run mode current I_{CCMAIN} with the following settings: <ul style="list-style-type: none"> • $f_{CLKS1} = f_{CLKS2} = f_{CLKB} = f_{CLKP1} = f_{CLKP2} = f_{CLKP3} = 4MHz$ • Regulator in High Power Mode • Core voltage at 1.8V (VRCCR:HPM[1:0] = 10_B) • 1 Flash/ROM wait states (MTCRA=0239_H) • PLL, RC oscillator and Sub oscillator stopped

MB96330 Series

Mode name	Details
RC Run 2M	RC Run mode current I_{CCRCH} with the following settings: <ul style="list-style-type: none"> • RC oscillator set to 2MHz (CKFCR:RCFS = 1) • $f_{CLKS1} = f_{CLKS2} = f_{CLKB} = f_{CLKP1} = f_{CLKP2} = f_{CLKP3} = 2\text{MHz}$ • Regulator in High Power Mode • Core voltage at 1.8V (VR CR:HPM[1:0] = 10_B) • 1 Flash/ROM wait states (MTCRA=0239_H) • PLL, Main oscillator and Sub oscillator stopped
RC Run 100k	RC Run mode current I_{CCRCL} with the following settings: <ul style="list-style-type: none"> • RC oscillator set to 100kHz (CKFCR:RCFS = 0) • $f_{CLKS1} = f_{CLKS2} = f_{CLKB} = f_{CLKP1} = f_{CLKP2} = f_{CLKP3} = 100\text{kHz}$ • Regulator in Low Power Mode A (SMCR:LPMS = 1) • Core voltage at 1.8V (VR CR:LPMA[2:0] = 110_B) • 1 Flash/ROM wait states (MTCRA=0239_H) • PLL, Main oscillator and Sub oscillator stopped
Sub Run	Sub Run mode current I_{CCSUB} with the following settings: <ul style="list-style-type: none"> • $f_{CLKS1} = f_{CLKS2} = f_{CLKB} = f_{CLKP1} = f_{CLKP2} = f_{CLKP3} = 32\text{kHz}$ • Regulator in Low Power Mode A (by hardware) • Core voltage at 1.8V (VR CR:LPMA[2:0] = 110_B) • 1 Flash/ROM wait states (MTCRA=0239_H) • PLL, RC oscillator and Main oscillator stopped
PLL Sleep 48/96	PLL Sleep mode current I_{CCPLL} with the following settings: <ul style="list-style-type: none"> • $f_{CLKS1} = f_{CLKS2} = 96\text{MHz}$ • $f_{CLKP1} = f_{CLKP3} = 48\text{MHz}$ • $f_{CLKP2} = 24\text{MHz}$ • Regulator in High Power Mode • Core voltage at 1.9V (VR CR:HPM[1:0] = 11_B) • RC oscillator and Sub oscillator stopped
PLL Sleep 48/48	PLL Sleep mode current I_{CCPLL} with the following settings: <ul style="list-style-type: none"> • $f_{CLKS1} = f_{CLKS2} = f_{CLKP1} = f_{CLKP3} = 48\text{MHz}$ • $f_{CLKP2} = 24\text{MHz}$ • Regulator in High Power Mode • Core voltage at 1.9V (VR CR:HPM[1:0] = 11_B) • RC oscillator and Sub oscillator stopped
PLL Sleep 24	PLL Sleep mode current I_{CCSPLL} with the following settings: <ul style="list-style-type: none"> • $f_{CLKS1} = f_{CLKS2} = f_{CLKP3} = 48\text{MHz}$ • $f_{CLKP1} = f_{CLKP2} = 24\text{MHz}$ • Regulator in High Power Mode • Core voltage at 1.8V (VR CR:HPM[1:0] = 10_B) • RC oscillator and Sub oscillator stopped
Main Sleep	Main Sleep mode current I_{CCSMAN} with the following settings: <ul style="list-style-type: none"> • $f_{CLKS1} = f_{CLKS2} = f_{CLKP1} = f_{CLKP2} = f_{CLKP3} = 4\text{MHz}$ • Regulator in High Power Mode • Core voltage at 1.8V (VR CR:HPM[1:0] = 10_B) • PLL, RC oscillator and Sub oscillator stopped

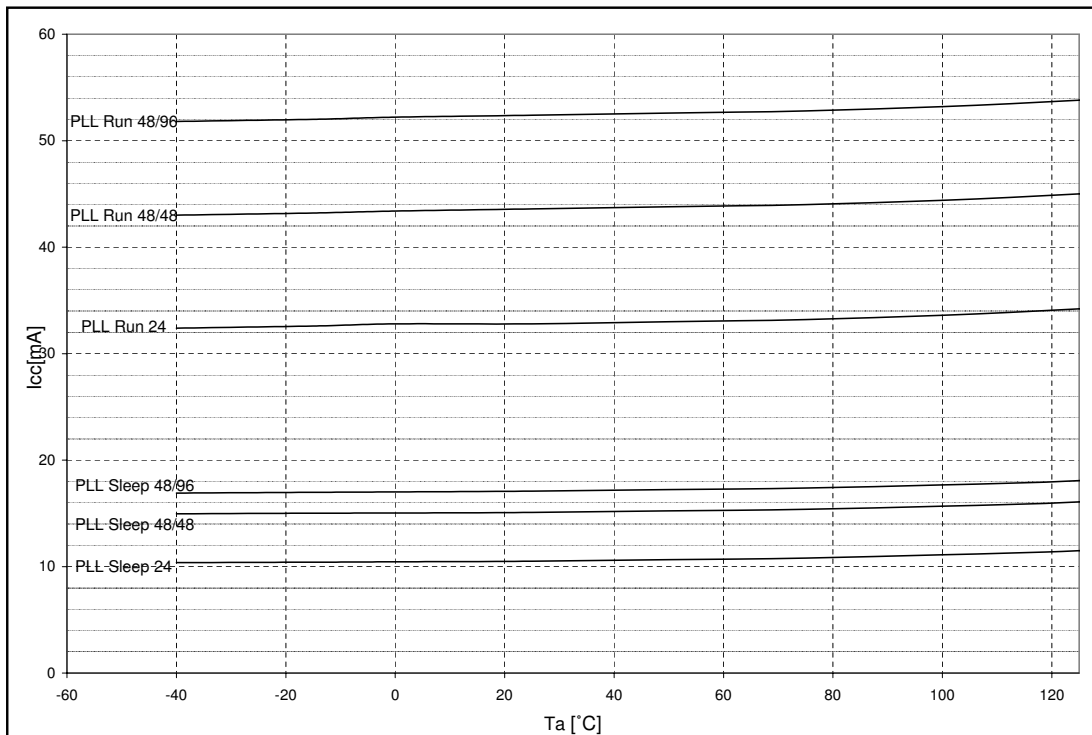
MB96330 Series

Mode name	Details
RC Sleep 2M	RC Sleep mode current I_{CCSRCH} with the following settings: <ul style="list-style-type: none"> • RC oscillator set to 2MHz (CKFCR:RCFS = 1) • $f_{CLKS1} = f_{CLKS2} = f_{CLKP1} = f_{CLKP2} = f_{CLKP3} = 2\text{MHz}$ • Regulator in High Power Mode • Core voltage at 1.8V (VR CR:HPM[1:0] = 10_B) • PLL, Main oscillator and Sub oscillator stopped
RC Sleep 100k	RC Sleep mode current I_{CCSRCL} with the following settings: <ul style="list-style-type: none"> • RC oscillator set to 100kHz (CKFCR:RCFS = 0) • $f_{CLKS1} = f_{CLKS2} = f_{CLKP1} = f_{CLKP2} = f_{CLKP3} = 100\text{kHz}$ • Regulator in Low Power Mode A (SMCR:LPMSS = 1) • Core voltage at 1.8V (VR CR:LPMA[2:0] = 110_B) • PLL, Main oscillator and Sub oscillator stopped
Sub Sleep	Sub Sleep mode current I_{CCSSUB} with the following settings: <ul style="list-style-type: none"> • $f_{CLKS1} = f_{CLKS2} = f_{CLKP1} = f_{CLKP2} = f_{CLKP3} = 32\text{kHz}$ • Regulator in Low Power Mode A (by hardware) • Core voltage at 1.8V (VR CR:LPMA[2:0] = 110_B) • PLL, RC oscillator and Main oscillator stopped
PLL Timer 48	PLL Timer mode current I_{CCTPLL} with the following settings: <ul style="list-style-type: none"> • $f_{CLKS1} = f_{CLKS2} = 48\text{MHz}$ • Regulator in High Power Mode • Core voltage at 1.8V (VR CR:HPM[1:0] = 10_B) • RC oscillator and Sub oscillator stopped
Main Timer	Main Timer mode current $I_{CCTMAIN}$ with the following settings: <ul style="list-style-type: none"> • $f_{CLKS1} = f_{CLKS2} = 4\text{MHz}$ • Regulator in Low Power Mode A (SMCR:LPMSS = 1) • Core voltage at 1.8V (VR CR:LPMA[2:0] = 110_B) • PLL, RC oscillator and Sub oscillator stopped
RC Timer 2M	RC Timer mode current I_{CCTRCH} with the following settings: <ul style="list-style-type: none"> • RC oscillator set to 2MHz (CKFCR:RCFS = 1) • $f_{CLKS1} = f_{CLKS2} = 2\text{MHz}$ • Regulator in Low Power Mode A (SMCR:LPMSS = 1) • Core voltage at 1.8V (VR CR:LPMA[2:0] = 110_B) • PLL, Main oscillator and Sub oscillator stopped
RC Timer 100k	RC Timer mode current I_{CCTRCL} with the following settings: <ul style="list-style-type: none"> • RC oscillator set to 100kHz (CKFCR:RCFS = 0) • $f_{CLKS1} = f_{CLKS2} = 100\text{kHz}$ • Regulator in Low Power Mode A (SMCR:LPMSS = 1) • Core voltage at 1.8V (VR CR:LPMA[2:0] = 110_B) • PLL, Main oscillator and Sub oscillator stopped
Sub Timer	Sub Timer mode current I_{CCTSUB} with the following settings: <ul style="list-style-type: none"> • $f_{CLKS1} = f_{CLKS2} = 32\text{kHz}$ • Regulator in Low Power Mode A (by hardware) • Core voltage at 1.8V (VR CR:LPMA[2:0] = 110_B) • PLL, RC oscillator and Main oscillator stopped

MB96330 Series

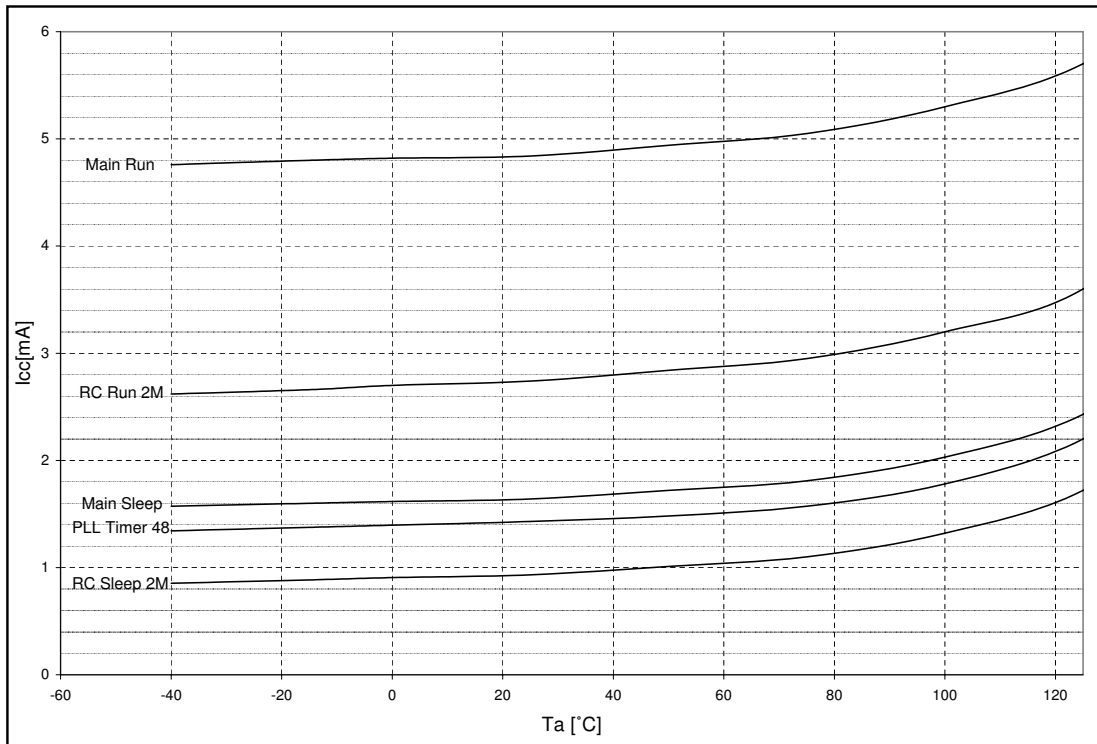
Mode name	Details
Stop 1.8V	Stop mode current I_{CCH} with the following settings: <ul style="list-style-type: none"> • Regulator in Low Power Mode B (by hardware) • Core voltage at 1.8V (VR_{CR}:LPMB[2:0] = 110_B)
Stop 1.2V	Stop mode current I_{CCH} with the following settings: <ul style="list-style-type: none"> • Regulator in Low Power Mode B (by hardware) • Core voltage at 1.2V (VR_{CR}:LPMB[2:0] = 000_B)

MB96F33xY/R PLL Run and Sleep mode currents

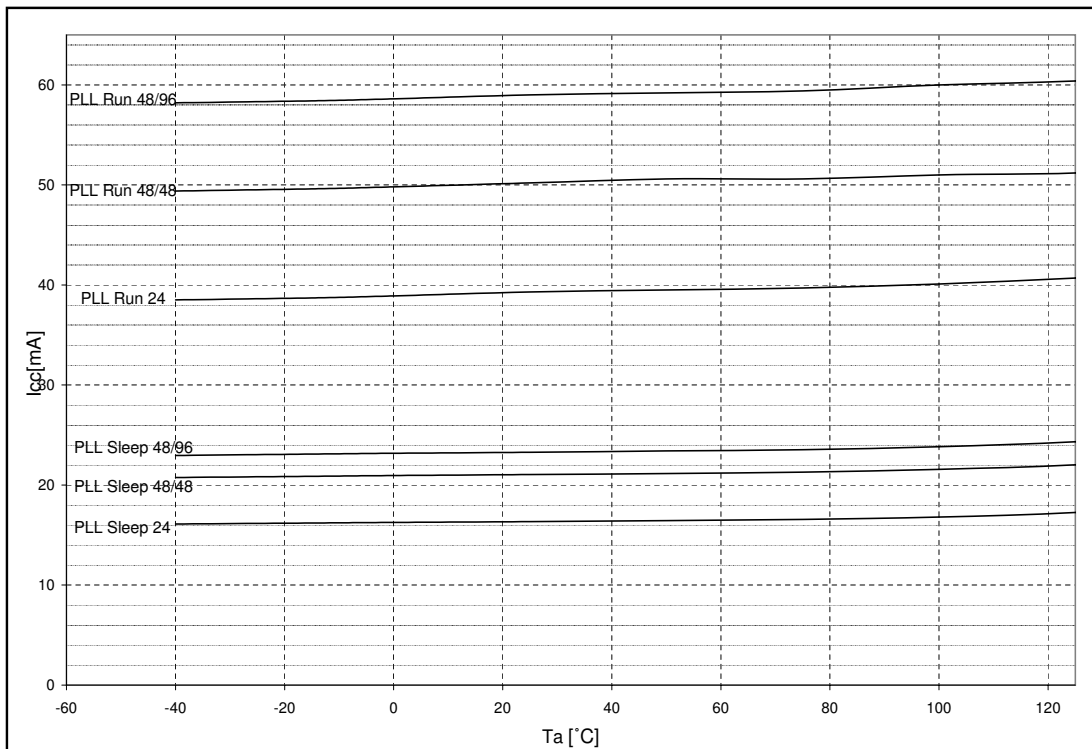


MB96330 Series

MB96F33xY/R operation modes with medium currents

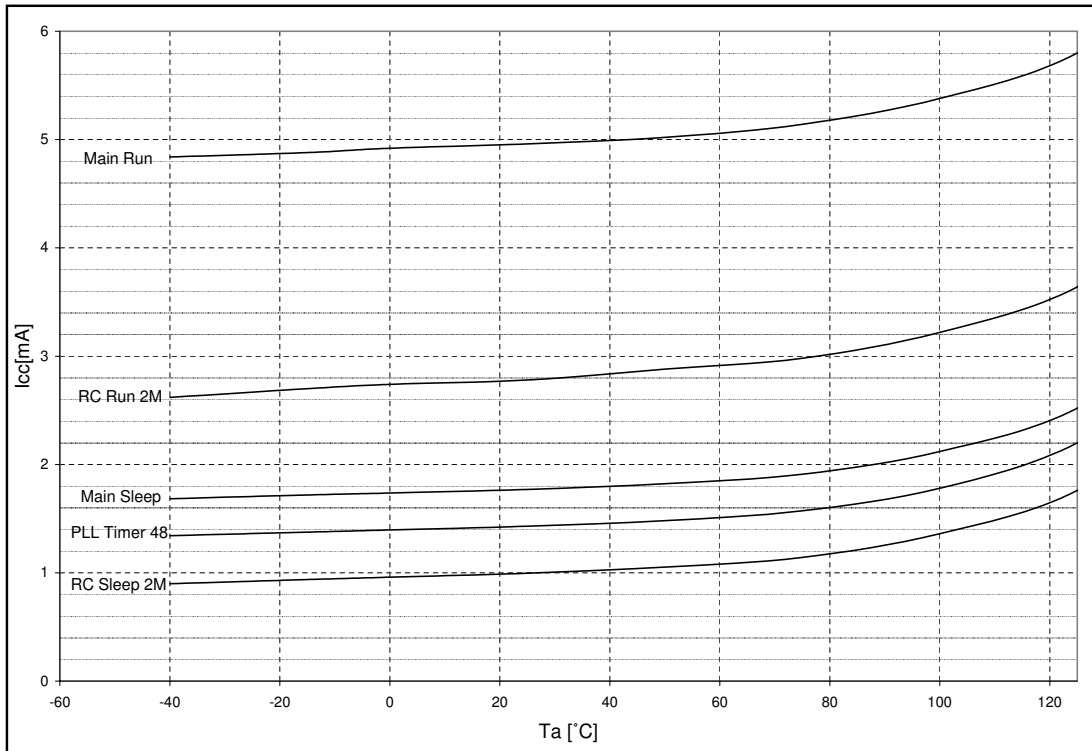


MB96F33xU PLL Run and Sleep mode currents

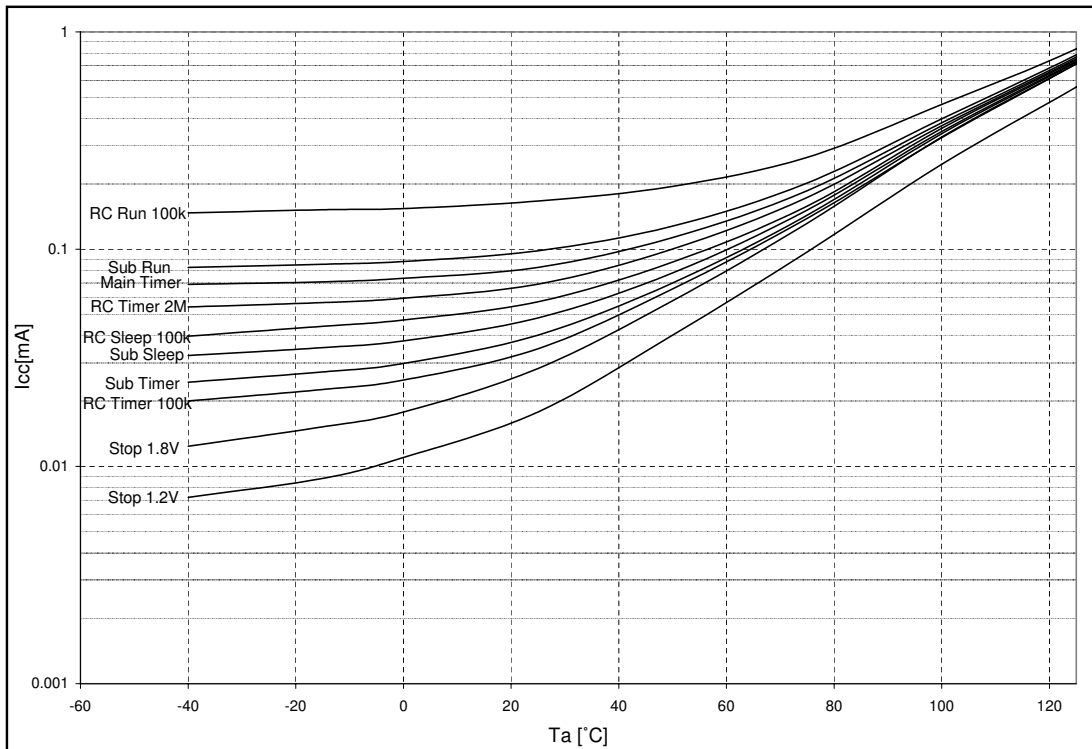


MB96330 Series

MB96F33xU operation modes with medium currents



MB96F33x Low power mode currents



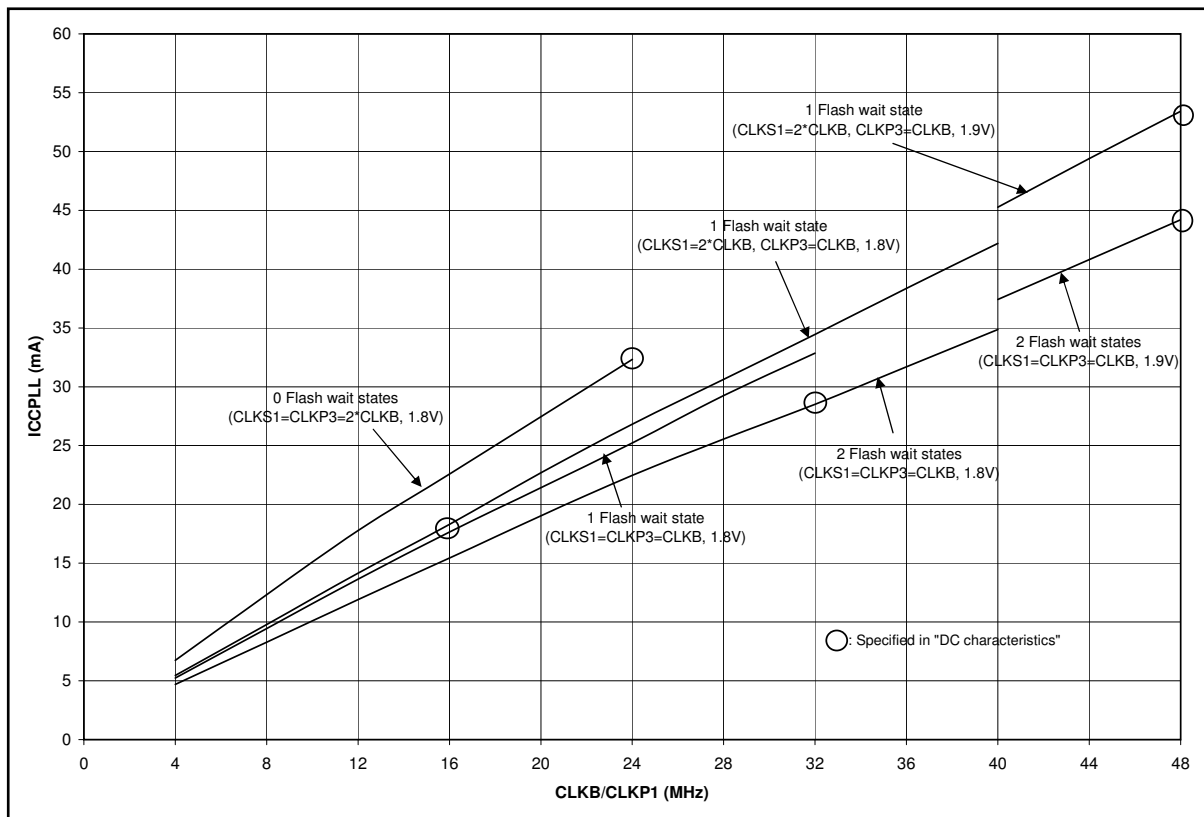
2. Frequency dependency of power supply currents in PLL Run mode

The following diagrams show the current consumption of samples with typical wafer process parameters in PLL Run mode at different frequencies and Flash timing settings.

Measurement conditions:

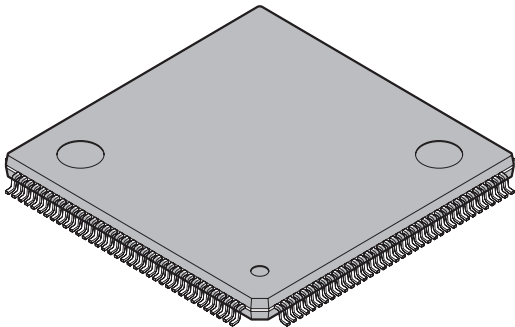
- $V_{CC} = AV_{CC} = 5.0V$
- $T_a = 25^\circ C$
- $f_{CLKS1} = f_{CLKB}$ or $f_{CLKS1} = 2 * f_{CLKB}$ as described in diagram
- $f_{CLKS2} = f_{CLKS1}$
- $f_{CLKP1} = f_{CLKB}$
- $f_{CLKP2} = f_{CLKB}/2$
- $f_{CLKP3} = f_{CLKB}$ or $f_{CLKP3} = 2 * f_{CLKB}$ as described in diagram
- Core voltage at 1.8V (VRCCR:HPM[1:0] = 10_B) or 1.9V (VRCCR:HPM[1:0] = 11_B) as described in diagram
- Main clock = 4MHz external clock
- Flash memory timing settings:
 - MTCRA=2128_H/2208_H (0 Flash wait states, $f_{CLKS1} = 2 * f_{CLKB}$)
 - MTCRA=0239_H/2129_H (1 Flash wait state, $f_{CLKS1} = f_{CLKB}$)
 - MTCRA=4C09_H/6B09_H (1 Flash wait state, $f_{CLKS1} = 2 * f_{CLKB}$)
 - MTCRA=233A_H (2 Flash wait states, $f_{CLKS1} = f_{CLKB}$)
- Average Flash access rate (number of read accesses to the Flash per CLKB clock cycle, no buffer hit):
 - 0 Flash wait states: 0.5
 - 1 Flash wait states: 0.33
 - 2 Flash wait states: 0.25

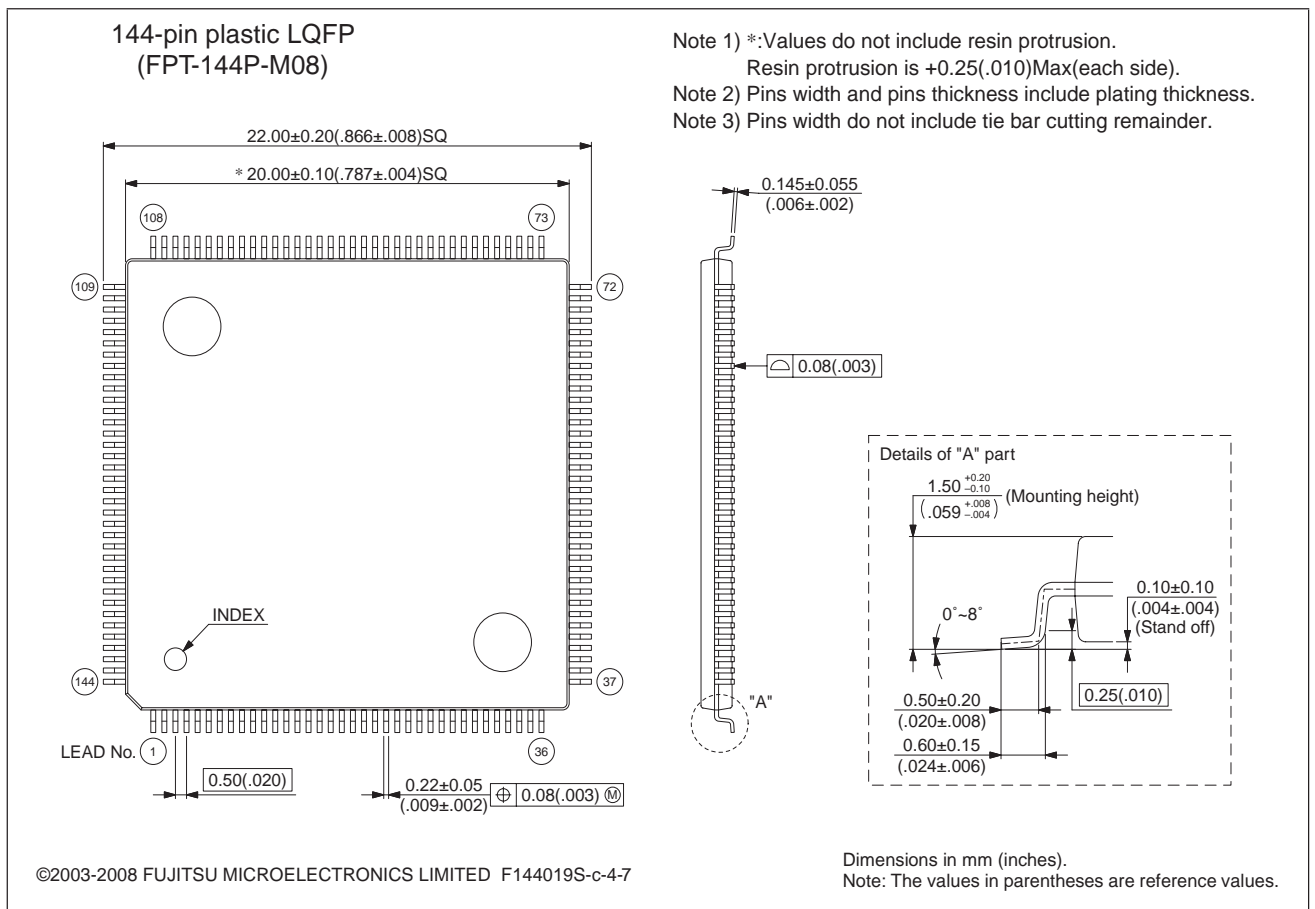
MB96F33xY/R PLL Run mode currents



MB96330 Series

PACKAGE DIMENSION MB96(F)33x LQFP 144P

 <p>144-pin plastic LQFP</p> <p>(FPT-144P-M08)</p>	Lead pitch	0.50 mm
	Package width × package length	20.0 × 20.0 mm
	Lead shape	Gullwing
	Sealing method	Plastic mold
	Mounting height	1.70 mm MAX
	Weight	1.20g
	Code (Reference)	P-LFQFP144-20×20-0.50



Please check the latest package dimension at the following URL.
<http://edevice.fujitsu.com/package/en-search/>

MB96330 Series

■ ORDERING INFORMATION

Part number	Flash/ROM	Subclock	Persistent Low Voltage Reset	Package	Remarks
MB96F336USA PMC-GSE2	Flash A (288KB)	No	No	144 pin Plastic LQFP (FPT-144P-M08)	with USB
MB96F336UWA PMC-GSE2		Yes			
MB96F338YSA PMC-GSE2	Flash A (544KB)	No	Yes	144 pin Plastic LQFP (FPT-144P-M08)	
MB96F338RSA PMC-GSE2			No		
MB96F338YWA PMC-GSE2		Yes	Yes		
MB96F338RWA PMC-GSE2			No		
MB96F338USA PMC-GSE2	Flash A (544KB)	No	No	144 pin Plastic LQFP (FPT-144P-M08)	with USB
MB96F338UWA PMC-GSE2		Yes			
MB96V300BRB-ES (for evaluation)	Emulated by ext. RAM	Yes	No	416 pin Plastic BGA (BGA-416P-M02)	

MB96330 Series

■ REVISION HISTORY

Revision	Date	Modification
Prelim 0.1	2007-05-23	Creation
Prelim 0.2	2007-08-14	<ul style="list-style-type: none">- information about MB96F338U (with USB function) is added- DMA 8ch --> 16ch- ADC reference switch is removed
Prelim 0.3	2007-09-11	<ul style="list-style-type: none">- Circuit Type of Device with "U" suffix is added- Circuit Type diagram: TTL input cell type was changed from NOR to NAND- IO Map, IRQ table are updated- Parallel Programming Flash Memory Control Signals is updated- DC/AC spec of USB I/O is added
Prelim 0.4	2007-09-24	<ul style="list-style-type: none">- Block diagram for MB96F338U was corrected: USB PB1 -> PB3- IRQ table was modified: Vector number 111 was inserted (reserved)- Pin assignment was corrected: not used resource name was removed
Prelim 0.5	2007-11-02	<ul style="list-style-type: none">- Internal Max Freq 56MHz --> 48MHz- DMA 12ch --> 10ch- FPT-144P-M12 package was removed
Prelim 1	2007-12-20	<p>Update of the block diagram to include USB block. Update DC characteristics to include all USB pins characteristics. IOMAP regenerated. Memory maps and Flash configuration reworked. Typos corrected across the document. Renaming of the Flash banks.</p>

MB96330 Series

Revision	Date	Modification
Prelim 2	2008-02-07	<ul style="list-style-type: none"> • Features: <ul style="list-style-type: none"> - Removed ADC reference switch - changed USB description • Lineup: <ul style="list-style-type: none"> - option description added - Part number names corrected - Flash B removed - RLT6 added • Block diagrams: <ul style="list-style-type: none"> - Flash B removed - OUT5_R -> OUT6_R - TX2_R, RX2_R added - SIN2_R, SOT2_R, SCK2_R and SOT9 added - not existing TTGx, TTGx_R and PPGx_R pins deleted - RLT6 added • Pin function description: relocated clock output and CAN pins added • I/O circuit types updated • Memory maps replaced by new standard maps • Parallel Flash programming pinning removed • IOMAP regenerated (naming style changed, all reserved registers added) • DC current limits updated with new setting and corrected frequencies • External bus timings: missing conditions added and readability improved • Alarm comparator spec updated (transition voltages defined) • Ordering information updated • Typos and formatting corrected

MB96330 Series

Revision	Date	Modification
Prelim 3	2008-11-24	<ul style="list-style-type: none"> • Format adjusted to official Fujitsu Microelectronics datasheet standard (mainly style changes and official notes and disclaimer added) • Note about devices under development modified • I/O map: Note added about reserved addresses • Serial programming interface: Note about handshaking pins improved • specified AD converter channel offset to 4LSB • package code of MB96V300 corrected in ordering information • Added voltage condition to pull-up resistance spec • ROM devices removed from lineup, memory map and ordering information • Ordering information: column "Flash/ROM added" • Official package dimension drawing with additional notes added • Empty pages removed • adjusted Run and Sleep mode specifications according to evaluation results • Absolute maximum ratings: V_{IUSB} and V_{OUSB} corrected, permitted power dissipation spec added • DC characteristics: Output H/L voltage for USB pins: specified for load of 20mA • USB characteristics: updated according to MB91660 series • Alarm comparator: Power supply current max values increased, comparison time reduced, mode transition time newly added • Handling devices: Notes added about Serial communication and about using ceramic resonators. • Feature list and AC Characteristics: 16MHz maximum frequency is valid for crystal oscillators. For resonators, maximum frequency depends on Q-factor • AC characteristics: PLL phase skew spec added, CLKVCO min=64MHz • New family member MB96F336U added • VOL3 spec improved: spec valid for 3mA load for full Vcc range

MB96330 Series

Revision	Date	Modification
4	2010-06-29	<ul style="list-style-type: none"> • Alarm comparator: Power-up stabilization time (10ms) newly added • C-Pin cap spec updated: 4.7uF-10uF capacitor with tolerance permitted • AD converter I_{AIN} spec improved: 1uA valid up to 105deg, 1.2uA above 105deg • Note added that PLL phase jitter spec does not include jitter coming from Main clock • Removed PHDR register from IO map • Note added in DC characteristics how to select driving strength of ports • I2C AC spec updated: tof, Cb and tSP spec added, wrong footnotes and Condition removed • I/O Circuit type: Note added for type “N” (slew rate control according to I2C spec) • Updated Power Supply current spec in Run/Sleep/Timer/Stop modes (new spec items in PLL Run/Sleep mode, small adjustment of most other values). • Prepared Example characteristics • Package dimension: Added the following sentence under the figure: “Please confirm the latest Package dimension by following URL. http://edevice.fujitsu.com/package/en-search/” • AD converter: Impact of input pin capacitance and external capacitance added to formula for calculation of the sampling time • “Serial programming communication interface”: Added USART3 to table “USART pins for Flash serial programming” • Added specification of RC clock stabilization time • Device status updated: development of MB96F3336/F338 finished • Feature description I2C: ‘8-bit addressing’ corrected to ‘7-bit addressing’ • Feature description PPG: ‘Reload timer overflow as clock input’ corrected to ‘Reload timer underflow as clock input’ • Company name updated on the cover page: Fujitsu Microelectronics Limited -> Fujitsu Semiconductor Limited • “Preliminary” watermark removed

MB96330 Series

FUJITSU SEMICONDUCTOR LIMITED

Nomura Fudosan Shin-yokohama Bldg. 10-23, Shin-yokohama 2-Chome,
Kohoku-ku Yokohama Kanagawa 222-0033, Japan
Tel: +81-45-415-5858
<http://jp.fujitsu.com/fsl/en/>

For further information please contact:

North and South America

FUJITSU MICROELECTRONICS AMERICA, INC.
1250 E. Arques Avenue, M/S 333
Sunnyvale, CA 94085-5401, U.S.A.
Tel: +1-408-737-5600 Fax: +1-408-737-5999
<http://www.fma.fujitsu.com/>

Asia Pacific

FUJITSU MICROELECTRONICS ASIA PTE. LTD.
151 Lorong Chuan,
#05-08 New Tech Park 556741 Singapore
Tel : +65-6281-0770 Fax : +65-6281-0220
<http://www.fmal.fujitsu.com/>

Europe

FUJITSU MICROELECTRONICS EUROPE GmbH
Pittlerstrasse 47, 63225 Langen, Germany
Tel: +49-6103-690-0 Fax: +49-6103-690-122
<http://emea.fujitsu.com/microelectronics/>

FUJITSU MICROELECTRONICS SHANGHAI CO., LTD.

Rm. 3102, Bund Center, No.222 Yan An Road (E),
Shanghai 200002, China
Tel : +86-21-6146-3688 Fax : +86-21-6335-1605
<http://cn.fujitsu.com/fmc/>

Korea

FUJITSU MICROELECTRONICS KOREA LTD.
206 Kosmo Tower Building, 1002 Daechi-Dong,
Gangnam-Gu, Seoul 135-280, Republic of Korea
Tel: +82-2-3484-7100 Fax: +82-2-3484-7111
<http://kr.fujitsu.com/fmk/>

FUJITSU MICROELECTRONICS PACIFIC ASIA LTD.

10/F., World Commerce Centre, 11 Canton Road,
Tsimshatsui, Kowloon, Hong Kong
Tel : +852-2377-0226 Fax : +852-2376-3269
<http://cn.fujitsu.com/fmc/en/>

Specifications are subject to change without notice. For further information please contact each office.

All Rights Reserved.

The contents of this document are subject to change without notice.

Customers are advised to consult with sales representatives before ordering.

The information, such as descriptions of function and application circuit examples, in this document are presented solely for the purpose of reference to show examples of operations and uses of FUJITSU SEMICONDUCTOR device; FUJITSU SEMICONDUCTOR does not warrant proper operation of the device with respect to use based on such information. When you develop equipment incorporating the device based on such information, you must assume any responsibility arising out of such use of the information.

FUJITSU SEMICONDUCTOR assumes no liability for any damages whatsoever arising out of the use of the information.

Any information in this document, including descriptions of function and schematic diagrams, shall not be construed as license of the use or exercise of any intellectual property right, such as patent right or copyright, or any other right of FUJITSU SEMICONDUCTOR or any third party or does FUJITSU SEMICONDUCTOR warrant non-infringement of any third-party's intellectual property right or other right by using such information. FUJITSU SEMICONDUCTOR assumes no liability for any infringement of the intellectual property rights or other rights of third parties which would result from the use of information contained herein.

The products described in this document are designed, developed and manufactured as contemplated for general use, including without limitation, ordinary industrial use, general office use, personal use, and household use, but are not designed, developed and manufactured as contemplated (1) for use accompanying fatal risks or dangers that, unless extremely high safety is secured, could have a serious effect to the public, and could lead directly to death, personal injury, severe physical damage or other loss (i.e., nuclear reaction control in nuclear facility, aircraft flight control, air traffic control, mass transport control, medical life support system, missile launch control in weapon system), or (2) for use requiring extremely high reliability (i.e., submersible repeater and artificial satellite).

Please note that FUJITSU SEMICONDUCTOR will not be liable against you and/or any third party for any claims or damages arising in connection with above-mentioned uses of the products.

Any semiconductor devices have an inherent chance of failure. You must protect against injury, damage or loss from such failures by incorporating safety design measures into your facility and equipment such as redundancy, fire protection, and prevention of over-current levels and other abnormal operating conditions.

Exportation/release of any products described in this document may require necessary procedures in accordance with the regulations of the Foreign Exchange and Foreign Trade Control Law of Japan and/or US export control laws.

The company names and brand names herein are the trademarks or registered trademarks of their respective owners.

Edited: Sales Promotion Department