

Power Schottky Rectifier - 10Amp 100Volt

Features

- Plastic package has Underwriters Laboratory Flammability Classifications 94V-0
- High Junction Temperature Capability
- Low forward voltage, high current capability
- High surge capacity
- Low power loss, high efficiency
- ESD performance human body mode > 8 KV
- Halogen-Free

Application

- AC/DC Switching Adaptor and other Switching Power Supply

Absolute maximum ratings

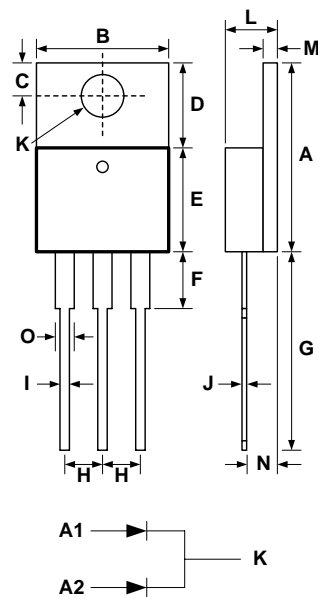
| Symbol | Ratings | Unit | Conditions |
|---------------------|-------------|------|---------------------------------|
| I _{F(AV)} | 10 | A | Average Forward Current |
| V _{RRM} | 100 | V | Repetitive Peak Reverse Voltage |
| I _{FSM} | 120 | A | Peak Forward Surge Current |
| V _{F(max)} | 0.54 | V | Forward Voltage Drop |
| T _j | -50 to +150 | °C | Operating Temperature |
| T _{stg} | -50 to +150 | °C | Storage Temperature |

Electrical characteristics

| Parameters | Symbol | Ratings | Conditions |
|--|---------------------|-------------|------------------------|
| Maximum Instantaneous Forward Voltage | V _F | 0.72V | T _c = 25°C |
| | | 0.54V | T _c = 125°C |
| Maximum Reverse Leakage Current | I _R | 0.05mA | T _c = 25°C |
| | | 10mA | T _c = 125°C |
| Maximum Voltage Rate of Change | dv/dt | 10,000 V/μs | Rated V _R |
| Typical Thermal Resistance, Junction to Case | R _{θ(j-c)} | 2.2. °C/W | Per diode |

Note: Pulse Test : 380μs pulse width, 2% duty cycle

T0-220AB



| DIM | DIMENSIONS | | | | NOTE |
|-----|------------|------|-------|-------|------|
| | INCHES | | MM | | |
| | MIN | MAX | MIN | MAX | |
| A | .579 | .606 | 14.70 | 15.40 | |
| B | .392 | .411 | 9.95 | 10.45 | |
| C | .114 | .126 | 2.90 | 3.20 | |
| D | .248 | .272 | 6.30 | 6.90 | |
| E | .325 | .350 | 8.25 | 8.90 | |
| F | .153 | .173 | 3.90 | 4.40 | |
| G | .492 | .551 | 12.50 | 14.00 | |
| H | .102 | .114 | 2.60 | 2.90 | |
| I | .028 | .039 | 0.70 | 1.00 | |
| J | .010 | .022 | 0.25 | 0.55 | |
| K | .146 | .157 | 3.70 | 4.00 | |
| L | .167 | .187 | 4.25 | 4.75 | |
| M | .045 | .057 | 1.15 | 1.45 | |
| N | .089 | .114 | 2.25 | 2.90 | |
| O | .047 | .055 | 1.20 | 1.40 | |

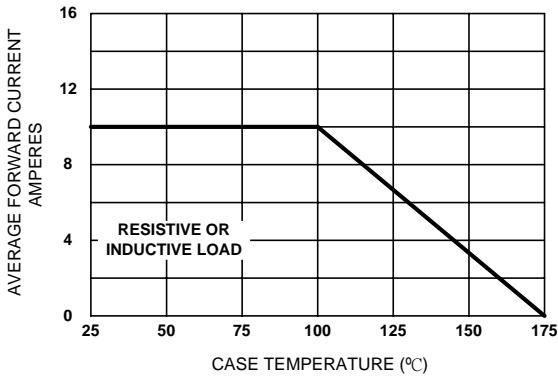


Figure 1. Forward Current Derating Curve

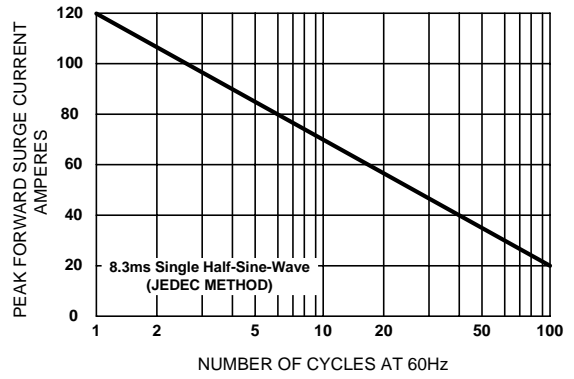


Figure 2. Maximum Non-repetitive Surge Current

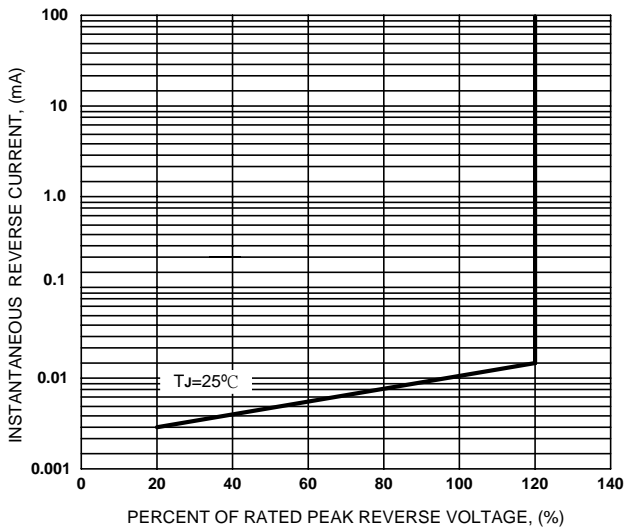


Figure 3. Typical Reverse Characteristics

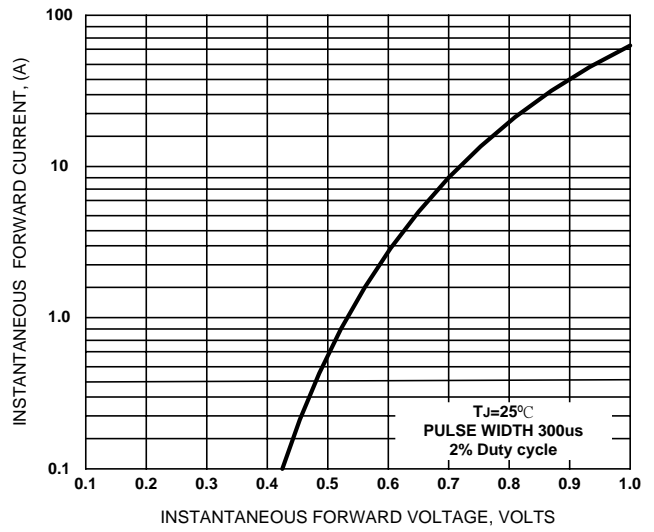


Figure 4. Typical Forward Characteristics

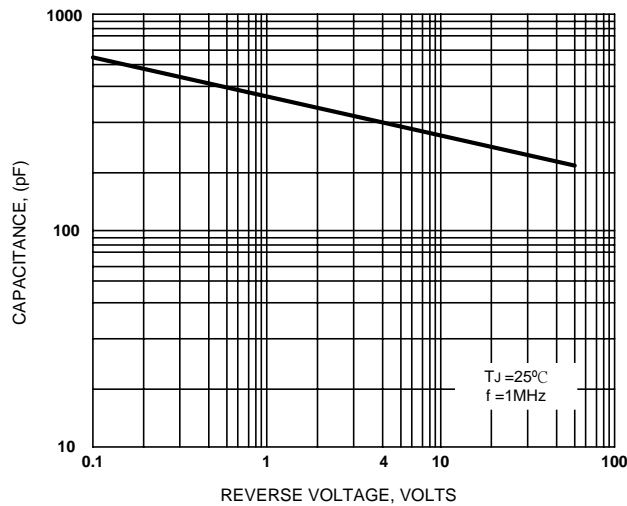


Figure 5. Typical Junction Capacitance