

MBR2020FCT~MBR20100FCT

SCHOTTKY BARRIER RECTIFIERS

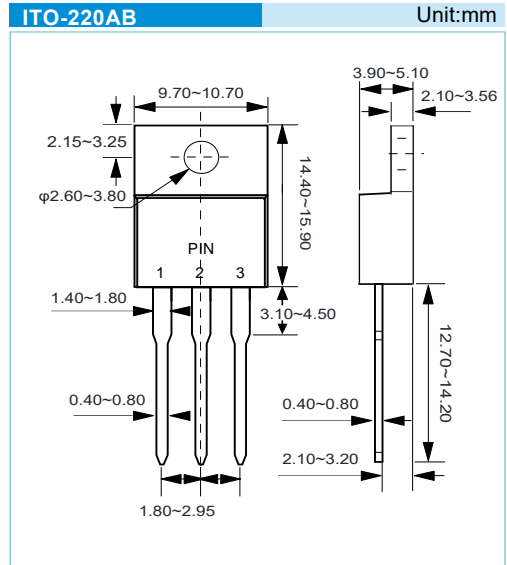
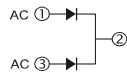
VOLTAGE 40 to 100 Volt **CURRENT** 20 Amper

FEATURES

- High frequency operation
- HGuard ring for enhanced ruggedness and long term reliability
- High Current Capability, High Efficiency
- Lead free in compliance with EU RoHS

MECHANICAL DATA

- Case Material: Molded Plastic.
- UL Flammability Classification Rating 94V-0



MAXIMUM RATINGS AND ELECTRICAL CHARACTERISTICS

Ratings at 25°C ambient temperature unless otherwise specified.

PARAMETER	SYMBOL	MBR2020FCT	MBR2030FCT	MBR2040FCT	MBR2045FCT	MBR2060FCT	MBR2080FCT	MBR20100FCT	UNITS
Maximum Recurrent Peak Reverse Voltage	V_{RRM}	20	30	40	45	60	80	100	V
Maximum RMS Voltage	V_{RMS}	14	21	28	31.5	42	56	70	V
Maximum DC Blocking Voltage	V_{DC}	20	30	40	45	60	80	100	V
Maximum Average Forward Current (See Figure 1)	$I_{F(AV)}$	20							A
Peak Forward Surge Current : 8.3ms single half sine-wave superimposed on rated load	I_{FSM}	150							A
Maximum Forward Voltage at 10A per leg	V_F	0.7				0.8	0.85		V
Maximum DC Reverse Current at Rated DC Blocking Voltage $T_J=25^{\circ}C$ $T_J=100^{\circ}C$	I_R	0.1				0.05		20	mA
Typical Thermal Resistance	$R_{\theta JC}$	3							$^{\circ}C / W$
Operating Junction and Storage Temperature Range	T_J, T_{STG}	-55 to +150							$^{\circ}C$

MBR2020FCT~MBR20100FCT

RATING AND CHARACTERISTIC CURVES

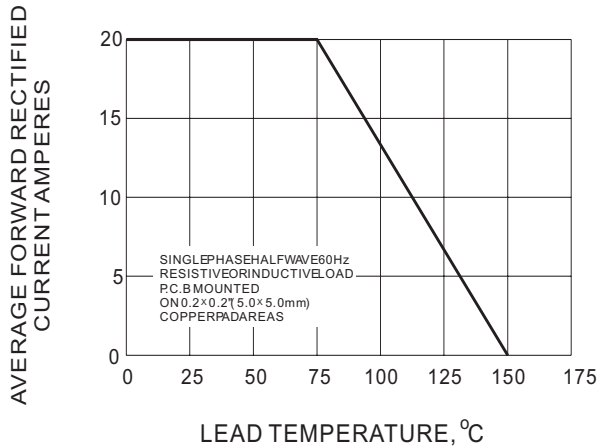


Fig.1-FORWARD CURRENT DERATING CURVE

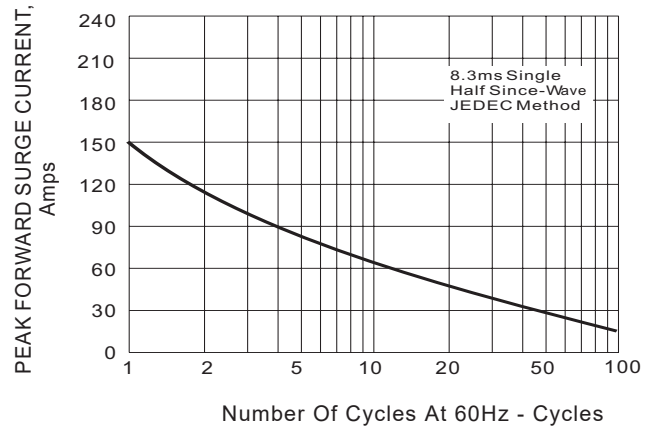


Fig.2- MAXIMUM NON - REPETITIVE SURGE CURRENT

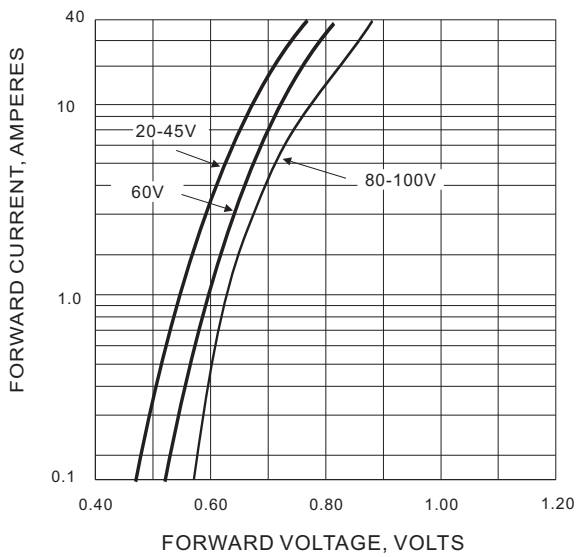


Fig.3- TYPICAL INSTANTANEOUS FORWARD CHARACTERISTIC

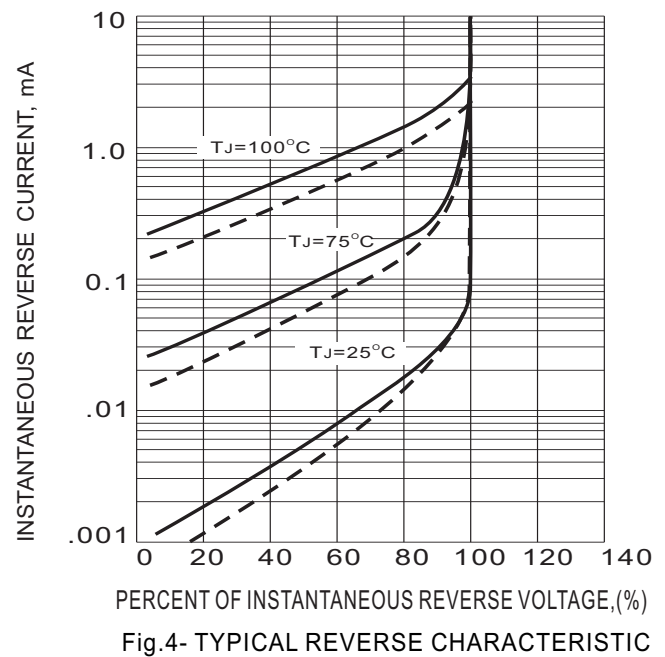


Fig.4- TYPICAL REVERSE CHARACTERISTIC

MBR2020FCT~MBR20100FCT

ORDER INFORMATION

- Packing information

Part Number	Case	Reel Size	QUANTITY
MBR2020FCT~MBR20100FCT	ITO-220AB	Tube	1000/BOX