



MBR25..CT
MBRB25..CT
MBR25..CT-1

SCHOTTKY RECTIFIER

30 Amp

$$I_{F(AV)} = 30\text{Amp}$$

$$V_R = 35 - 45\text{V}$$

Major Ratings and Characteristics



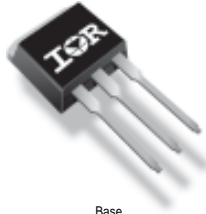
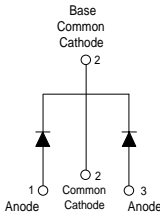
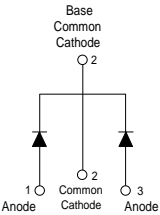
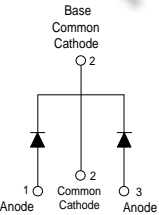
Characteristics	Values	Units
$I_{F(AV)}$ Rectangular waveform (Per Device)	30	A
I_{FRM} @ $T_C = 130^\circ\text{C}$ (Per Leg)	30	A
V_{RRM}	35 - 45	V
I_{FSM} @ tp = 5 μs sine	1060	A
V_F @ 30 Apk, $T_J = 125^\circ\text{C}$	0.73	V
T_J range	-65 to 150	$^\circ\text{C}$

Description/ Features

This center tap Schottky rectifier has been optimized for low reverse leakage at high temperature. The proprietary barrier technology allows for reliable operation up to 150° C junction temperature. Typical applications are in switching power supplies, converters, free-wheeling diodes, and reverse battery protection.

- 150° C T_J operation
- Center tap TO-220 and D²Pak packages
- Low forward voltage drop
- High purity, high temperature epoxy encapsulation for enhanced mechanical strength and moisture resistance
- High frequency operation
- Guard ring for enhanced ruggedness and long term reliability

Case Styles

MBR25..CT	MBRB25.. CT	MBR25..CT -1
		
<p>Base Common Cathode</p> <p>2</p>  <p>1 Anode 2 Common Cathode 3 Anode</p> <p>TO-220</p>	<p>Base Common Cathode</p> <p>2</p>  <p>1 Anode 2 Common Cathode 3 Anode</p> <p>D²PAK</p>	<p>Base Common Cathode</p> <p>2</p>  <p>1 Anode 2 Common Cathode 3 Anode</p> <p>TO-262</p>

Voltage Ratings

Parameters	MBR2535CT MBRB2535CT MBR2535CT-1	MBR2545CT MBRB2545CT MBR2545CT-1
V _R Max. DC Reverse Voltage (V)	35	45
V _{RWM} Max. Working Peak Reverse Voltage (V)		

Absolute Maximum Ratings

Parameters	Values	Units	Conditions
I _{F(AV)} Max. Average Forward Current (Per Leg) (Per Device)	15	A	@ T _C = 130° C, (Rated V _R)
	30		
I _{FRM} Peak Repetitive Forward Current (Per Leg)	30	A	Rated V _R , square wave, 20kHz T _C = 130° C
I _{FSM} Non Repetitive Peak Surge Current	1060	A	5µs Sine or 3µs Rect. pulse Following any rated load condition and with rated V _{RWM} applied Surge applied at rated load conditions halfwave, single phase, 60Hz
	150		
E _{AS} Non-Repetitive Avalanche Energy	16	mJ	(Per Leg) T _J = 25° C, I _{AS} = 2 Amps, L = 8 mH
I _{AR} Repetitive Avalanche Current (Per Leg)	2	A	Current decaying linearly to zero in 1 µsec Frequency limited by T _J max. V _A = 1.5 x V _R typical

Electrical Specifications

Parameters	Values	Units	Conditions
V _{FM} Max. Forward Voltage Drop (1)	0.82	V	@ 30A T _J = 25° C
	0.73	V	@ 30A T _J = 125° C
I _{RM} Max. Instantaneous Reverse Current (1)	0.2	mA	T _J = 25° C
	40	mA	T _J = 125° C
V _{F(TO)} Threshold Voltage	0.355	V	T _J = T _J max.
r _t Forward Slope Resistance	12.3	mΩ	
C _T Max. Junction Capacitance	700	pF	V _R = 5V _{DC} , (test signal range 100Khz to 1Mhz) 25° C
L _S Typical Series Inductance	8.0	nH	Measured from top of terminal to mounting plane
dv/dt Max. Voltage Rate of Change (Rated V _R)	10000	V/ µs	

(1) Pulse Width < 300µs, Duty Cycle <2%

Thermal-Mechanical Specifications

Parameters	Values	Units	Conditions
T _J Max. Junction Temperature Range	-65 to 150	°C	
T _{stg} Max. Storage Temperature Range	-65 to 175	°C	
R _{thJC} Max. Thermal Resistance Junction to Case (Per Leg)	1.5	°C/W	DC operation
R _{thCS} Typical Thermal Resistance Case to Heatsink	0.50	°C/W	Mounting surface, smooth and greased Only for TO-220
wt Approximate Weight	2 (0.07)	g (oz.)	
T Mounting Torque	Min.	6 (5)	Non-lubricated threads
	Max.	12 (10)	

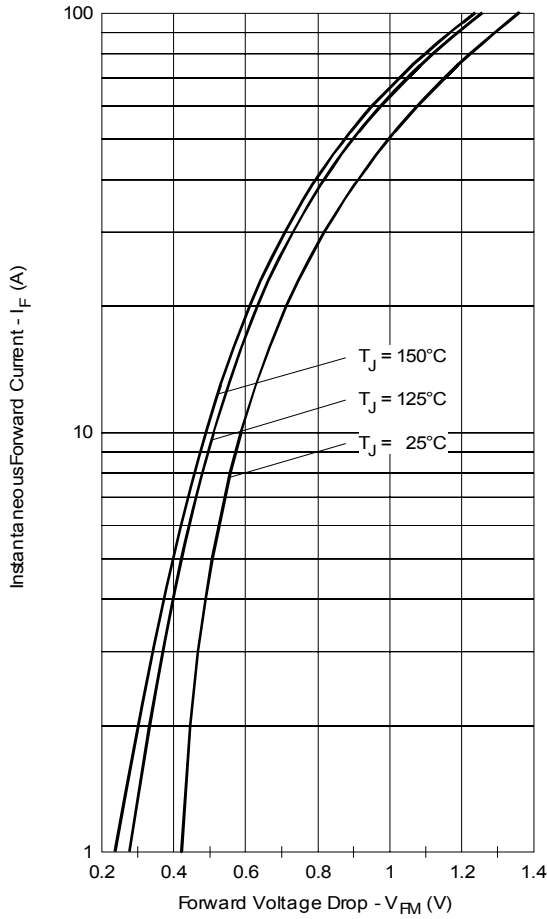


Fig. 1 - Max. Forward Voltage Drop Characteristics (Per Leg)

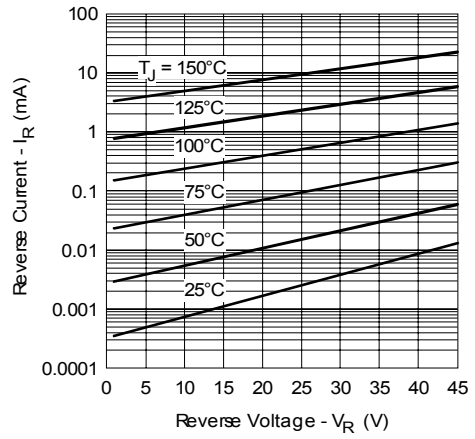


Fig. 2 - Typical Values Of Reverse Current Vs. Reverse Voltage (Per Leg)

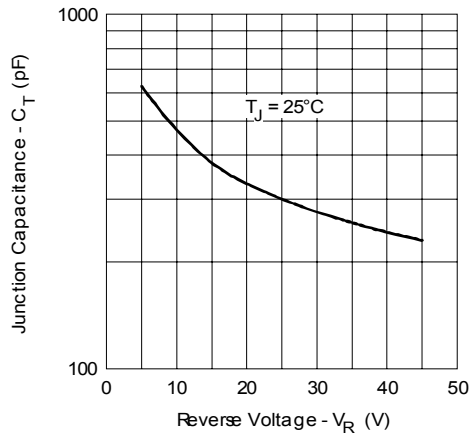


Fig. 3 - Typical Junction Capacitance Vs. Reverse Voltage (Per Leg)

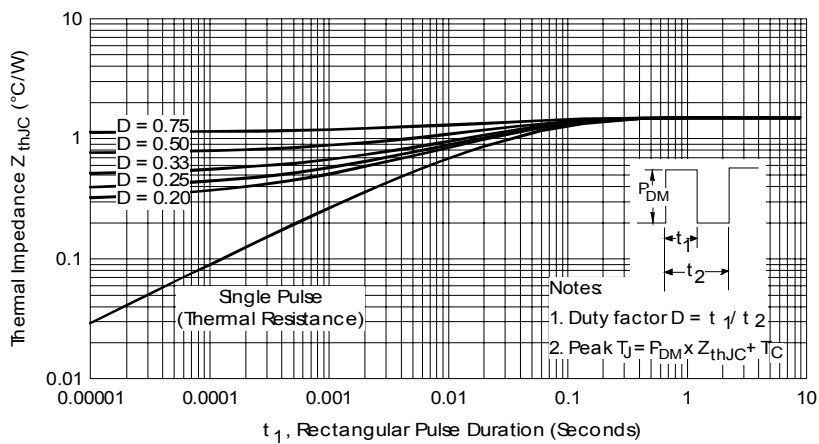


Fig. 4 - Max. Thermal Impedance Z_{thJC} Characteristics (Per Leg)

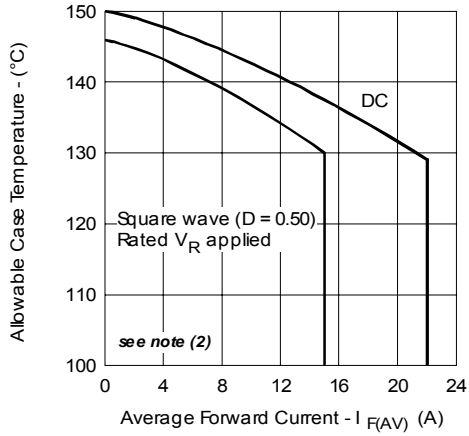


Fig. 5 - Max. Allowable Case Temperature Vs. Average Forward Current (Per Leg)

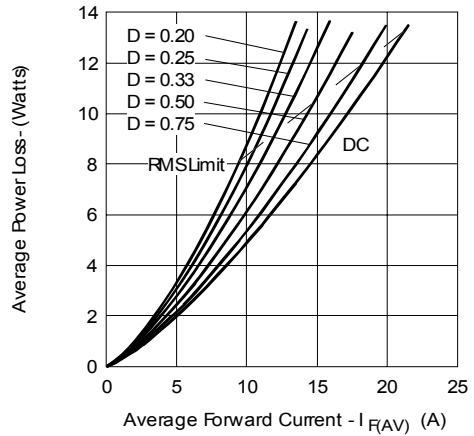


Fig. 6 - Forward Power Loss Characteristics (Per Leg)

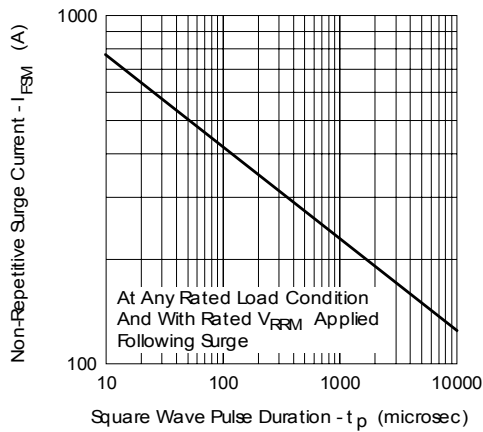
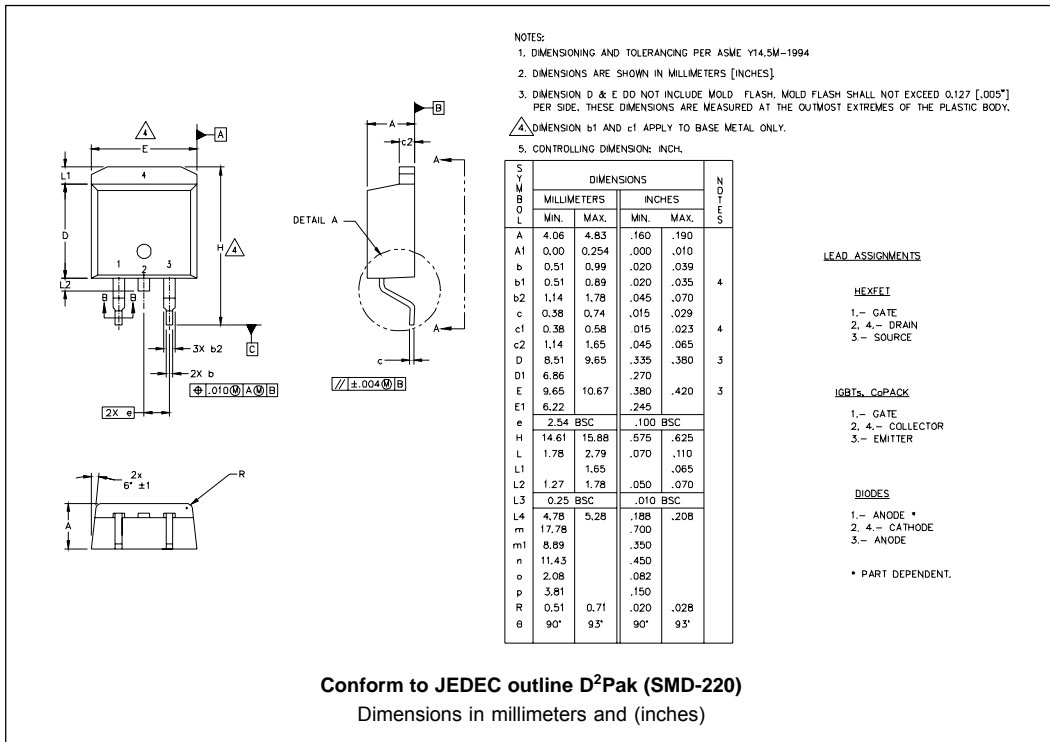
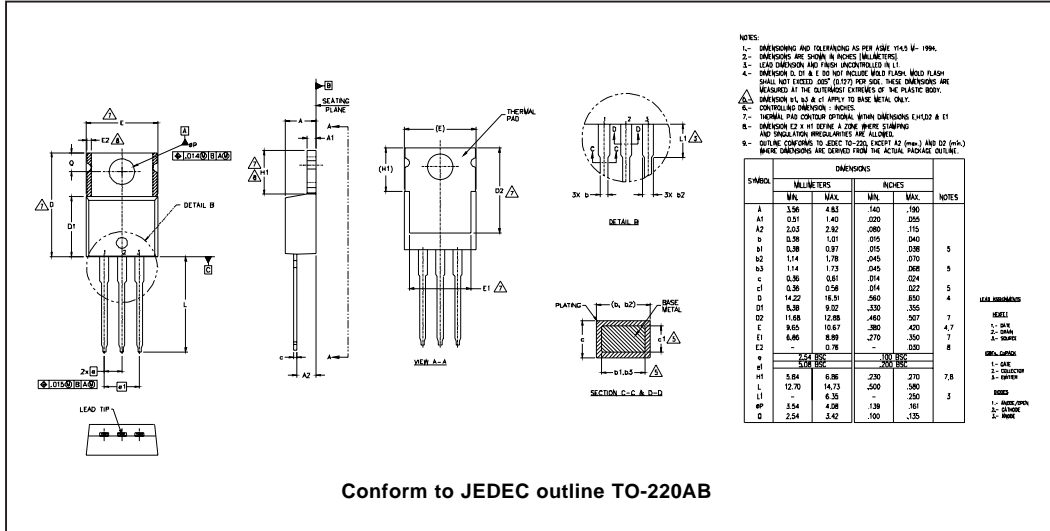


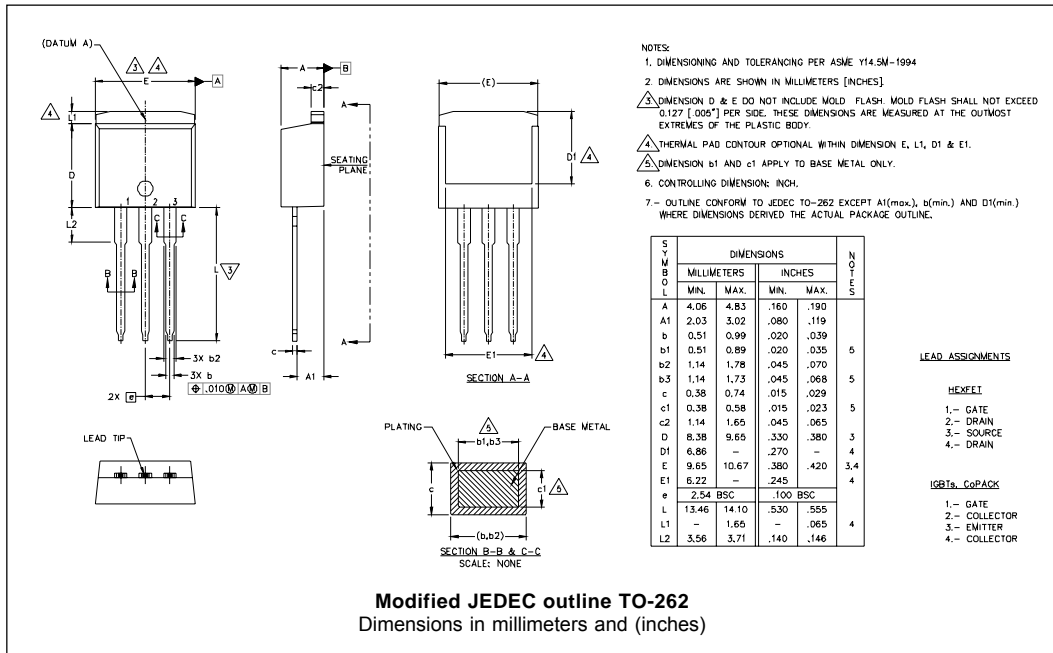
Fig. 7 - Max. Non-Repetitive Surge Current (Per Leg)

- (2) Formula used: $T_C = T_J - (Pd + Pd_{REV}) \times R_{thJC}$;
 Pd = Forward Power Loss = $I_{F(AV)} \times V_{FM} @ (I_{F(AV)} / D)$ (see Fig. 6);
 Pd_{REV} = Inverse Power Loss = $V_{R1} \times I_R (1 - D)$; $I_R @ V_{R1}$ = rated V_R

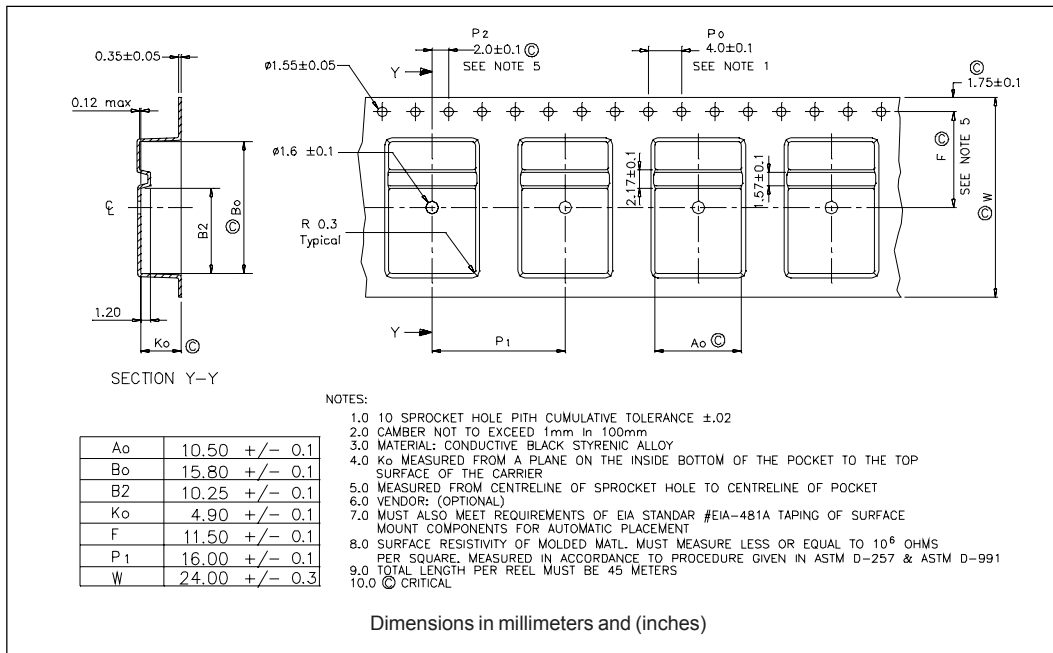
Outline Table



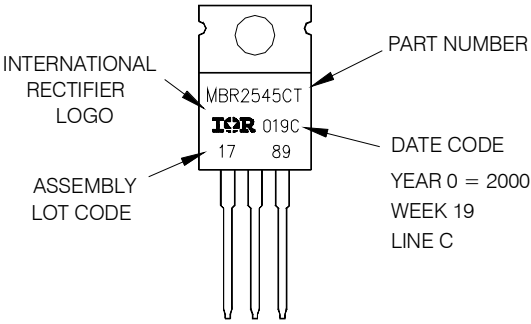
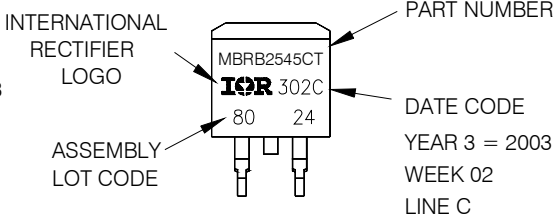
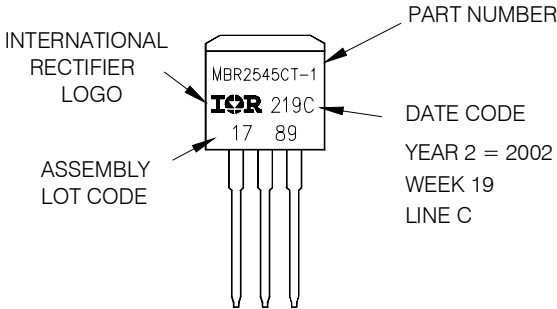
Outline Table



Tape & Reel Information



Part Marking Information

<p>TO-220</p>	<p>EXAMPLE: THIS IS A MBR2545CT LOT CODE 1789 ASSEMBLED ON WW 19, 2000 IN THE ASSEMBLY LINE "C"</p>	 <p>INTERNATIONAL RECTIFIER LOGO</p> <p>ASSEMBLY LOT CODE</p> <p>PART NUMBER</p> <p>DATE CODE YEAR 0 = 2000 WEEK 19 LINE C</p>
<p>D²PAK</p>	<p>EXAMPLE: THIS IS A MBRB2545CT LOT CODE 8024 ASSEMBLED ON WW 02, 2003 IN ASSEMBLY LINE "C"</p>	 <p>INTERNATIONAL RECTIFIER LOGO</p> <p>ASSEMBLY LOT CODE</p> <p>PART NUMBER</p> <p>DATE CODE YEAR 3 = 2003 WEEK 02 LINE C</p>
<p>TO-262</p>	<p>EXAMPLE: THIS IS A MBR2545CT-1 LOT CODE 1789 ASSEMBLED ON WW 19, 2002 IN ASSEMBLY LINE "C"</p>	 <p>INTERNATIONAL RECTIFIER LOGO</p> <p>ASSEMBLY LOT CODE</p> <p>PART NUMBER</p> <p>DATE CODE YEAR 2 = 2002 WEEK 19 LINE C</p>

Ordering Information Table

Device Code		MBR	B	25	45	CT	-1	TRL	-		
		①	②	③	④	⑤	⑥	⑦	⑧		
1	-	Essential Part Number									
2	-	• B = D ² Pak		⑥ none		• none = TO-262					
				⑥ = -1							
3	-	Current Rating (25 = 25A)									
4	-	Voltage Ratings									
		<table border="1" style="float: right;"> <tr> <td>35 = 35V</td> </tr> <tr> <td>45 = 45V</td> </tr> </table>								35 = 35V	45 = 45V
35 = 35V											
45 = 45V											
5	-	CT = Essential Part Number									
6	-	• none = D ² Pak		② = B		• -1 = TO-262					
				② none							
7	-	<ul style="list-style-type: none"> • none = Tube (50 pieces) • TRL = Tape & Reel (Left Oriented - for D²Pak only) • TRR = Tape & Reel (Right Oriented - for D²Pak only) 									
8	-	<ul style="list-style-type: none"> • none = Standard Production • PbF = Lead-Free (for TO-262 and D²Pak tube) • P = Lead-Free (for D²Pak TRR and TRL) 									

Data and specifications subject to change without notice.
This product has been designed and qualified for Industrial Level.
Qualification Standards can be found on IR's Web site.