

Schottky Barrier Rectifier

MBR2550CT

FEATURES

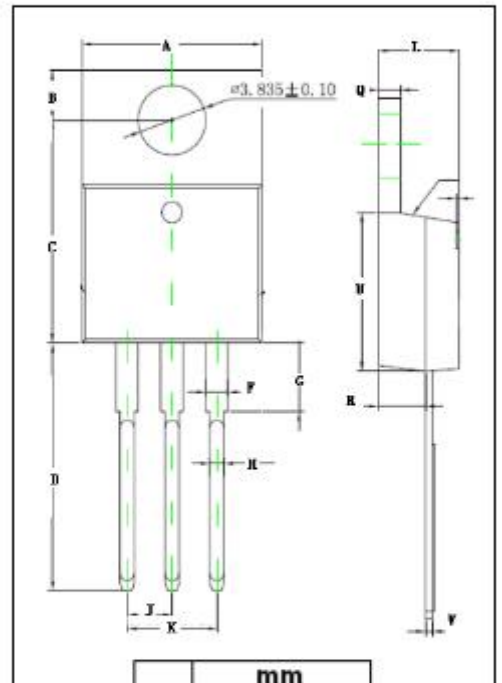
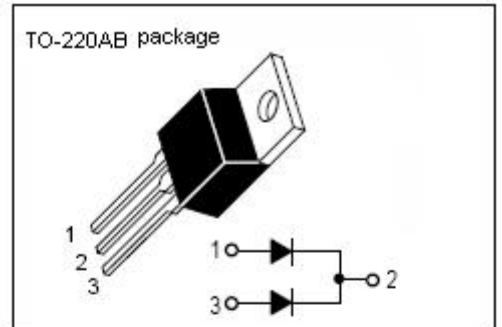
- Low power loss, high efficiency.
- High surge capacity.

MECHANICAL CHARACTERISTICS

- in low voltage, high frequency inverters, free wheeling, and polarity protection applications.
- Metal silicon junction, majority carrier conduction.
- High current capacity, low forward voltage drop.

ABSOLUTE MAXIMUM RATINGS(T<sub>a</sub>=25°C)

SYMBOL	PARAMETER	VALUE	UNIT
V <sub>RRM</sub>	DC Blocking Voltage	50	V
I <sub>F(AV)</sub>	Average Rectified Forward Current (Rated V <sub>R</sub> , Square Wave, 20 KHz) @ T <sub>A</sub> = 130° C	30	A
I <sub>FSM</sub>	Nonrepetitive Peak Surge Current 8.3 ms single half-sine-wave Superimposed on rated load (JEDEC method)	150	A
T <sub>J</sub>	Junction Temperature	-65~150	°C
T <sub>stg</sub>	Storage Temperature Range	-50~175	°C



DIM	mm	
	MIN	MAX
A	10.06	10.36
B	2.59	2.89
C	12.06	12.46
D	13.4	13.8
F	1.17	1.37
G	3.56	3.96
H	0.71	0.91
J	2.54	
K	4.98	5.18
L	4.47	4.67
O	1.17	1.37
R	2.52	2.82
U	8.5	8.9
V	0.31	0.51

**Schottky Barrier Rectifier**

**MBR2550CT**

**THERMAL CHARACTERISTICS**

SYMBOL	PARAMETER	MAX	UNIT
R <sub>th j-c</sub>	Thermal Resistance, Junction to Case	1.5	°C/W

**ELECTRICAL CHARACTERISTICS** (Pulse Test: Pulse Width ≤ 300 μs, Duty Cycle ≤ 2%)

SYMBOL	PARAMETER	CONDITIONS	MAX	UNIT
V <sub>F</sub>	Maximum Instantaneous Forward Voltage	I <sub>F</sub> = 15A ; T <sub>C</sub> = 25°C	0.75	V
V <sub>F</sub>	Maximum Instantaneous Forward Voltage	I <sub>F</sub> = 15A ; T <sub>C</sub> = 125°C	0.65	V

