

Schottky Barrier Rectifier

MBR30100PT

FEATURES

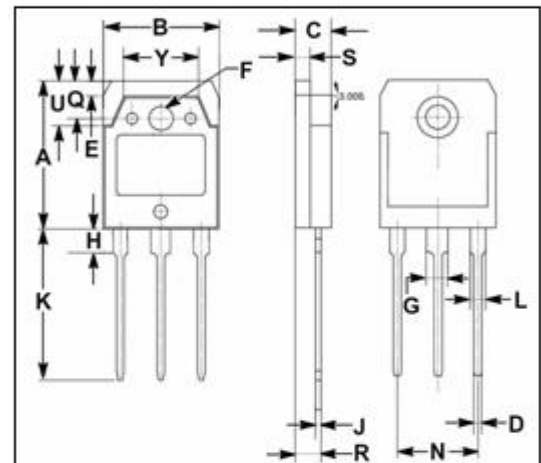
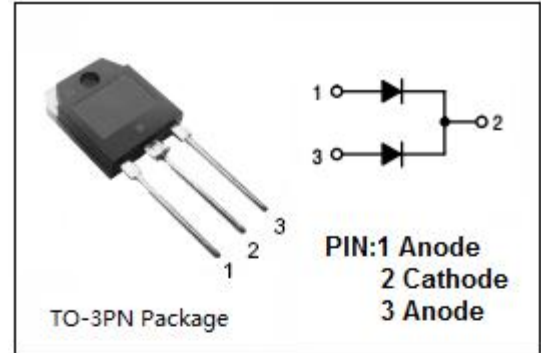
- Plastic material used carriers Unerwriter Laboratory
- Metal silicon rectifier, majonty carrier conduction
- Low Power Loss,High Efficiency
- Guard ring for transient protection
- High Surge Capability,High Current Capability
- Minimum Lot-to-Lot variations for robust device performance and reliable operation

APPLICATIONS

- For use in low voltage ,high frequency inverters,free wheeling and polarity protection applications.

ABSOLUTE MAXIMUM RATINGS(Ta=25°C)

SYMBOL	PARAMETER	VALUE	UNIT
V _{RRM} V _{RWM} V _R	Peak Repetitive Reverse Voltage Working Peak Reverse Voltage DC Blocking Voltage	100	V
V _{R(RMS)}	RMS Reverse Voltag	70	V
I _{F(AV)}	Average Rectified Forward Current	30	A
I _{FSM}	Nonrepetitive Peak Surge Current 8.3ms single half sine-wave superimposed on rated load conditions	250	A
I _{RRM}	Peak Repetitive Reverse Surge Current (20 μ s, 1.0kHz)	1.0	A
T _J	Junction Temperature	150	°C
T _{stg}	Storage Temperature Range	-65~175	°C
dv/dt	Voltage Rate of Change (Rated V _R)	1000	V/ μ s



DIM	mm	
	MIN	MAX
A	19.60	20.30
B	15.50	15.70
C	4.70	4.90
D	0.90	1.10
E	1.90	2.10
F	3.40	3.60
G	2.90	3.20
H	3.20	3.40
J	0.595	0.605
K	19.80	20.70
L	1.90	2.20
N	10.89	10.91
Q	4.90	5.10
R	3.35	3.45
S	1.995	2.100
U	5.90	6.20
Y	9.90	10.10

Schottky Barrier Rectifier
MBR30100PT
THERMAL CHARACTERISTICS

SYMBOL	PARAMETER	MAX	UNIT
R _{th j-c}	Thermal Resistance, Junction to Case	1.4	°C/W

ELECTRICAL CHARACTERISTICS (Pulse Test: Pulse Width=300 μ s, Duty Cycle ≤ 1%)

SYMBOL	PARAMETER	CONDITIONS	MAX	UNIT
V _F	Maximum Instantaneous Forward Voltage	I _F = 15A ; T _c = 25°C	0.85	V
		I _F = 15A ; T _c = 125°C	0.75	
I _R	Maximum Instantaneous Reverse Current	V _R = V _{RWM} ; T _c = 25°C	0.5	mA
		V _R = V _{RWM} ; T _c = 125°C	10	

NOTICE:

ISC reserves the rights to make changes of the content herein the datasheet at any time without notification. The information contained herein is presented only as a guide for the applications of our products.

ISC products are intended for usage in general electronic equipment. The products are not designed for use in equipment which require specialized quality and/or reliability, or in equipment which could have applications in hazardous environments, aerospace industry, or medical field. Please contact us if you intend our products to be used in these special applications.

ISC makes no warranty or guarantee regarding the suitability of its products for any particular purpose, nor does ISC assume any liability arising from the application or use of any products, and specifically disclaims any and all liability, including without limitation special, consequential or incidental damages.