



SCHOTTKY DIODE MODULE TYPES 80A

Features

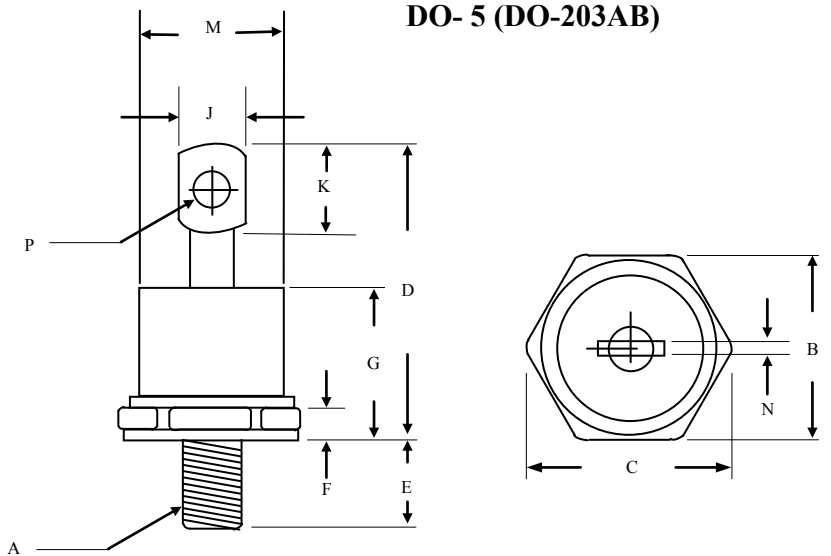
High Surge Capability
Types Up to 100 V V_{RRM}

**80Amp Rectifier
20-100 Volts**

Maximum Ratings

Operating Temperature: -55°C to $+150^{\circ}\text{C}$
Storage Temperature: -55°C to $+150^{\circ}\text{C}$

Part Number	Maximum Recurrent Peak Reverse Voltage	Maximum RMS Voltage	Maximum DC Blocking Voltage
MBR8020(R)	20V	14V	20V
MBR8030(R)	30V	21V	30V
MBR8035(R)	35V	25V	35V
MBR8040(R)	40V	28V	40V
MBR8045(R)	45V	32V	45V
MBR8060(R)	60V	42V	60V
MBR8080(R)	80V	50V	80V
MBR80100(R)	100V	70V	100V



DO- 5 (DO-203AB)

Notes

- Standard Polarity Stud is Cathode
- Reverse Polarity: Stud is Anode

Electrical Characteristics @ 25 °C Unless Otherwise Specified

Average Forward Current (Per pkg)	$I_{F(AV)}$	80A	$TC=125^{\circ}\text{C}$
Peak Forward Surge Current (Per leg)	I_{FSM}	1000A	8.3ms, half sine
Maximum Instantaneous Forward Voltage (Per leg) 20V~45V 50V~60V 80V~100V	V_F	0.75V 0.78V 0.84V	$I_{FM}=80\text{ A}; T_J=25^{\circ}\text{C}$
Maximum Instantaneous Reverse Current At Rated DC Blocking Voltage (Per leg)	I_R	1mA 10mA 20mA	$T_J=25^{\circ}\text{C}$ $T_J=100^{\circ}\text{C}$ $T_J=150^{\circ}\text{C}$
Maximum Thermal Resistance Junction To Case (Per leg)	$R_{\theta jc}$	0.50°C/W	
Mounting torque	Inch pounds (in-pb)	30	

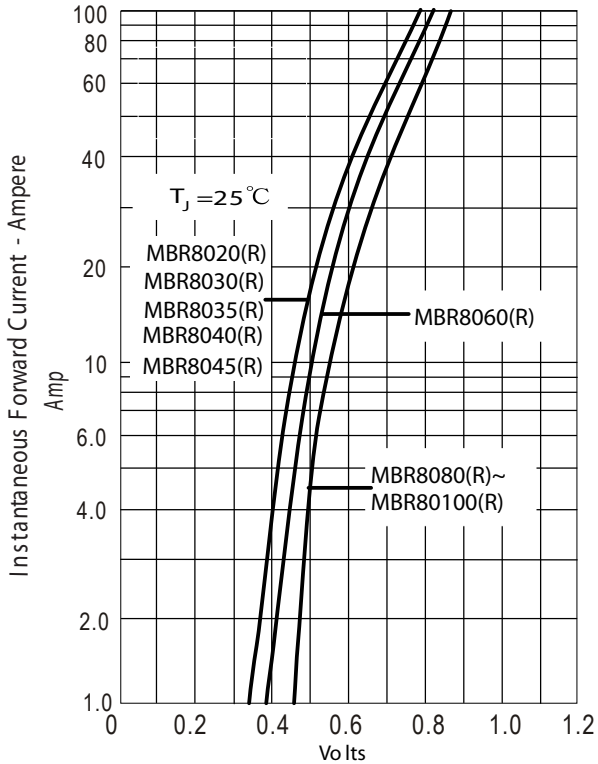
DIM	Inches		Millimeters	
	Min	Max	Min	Max
A	1/4-28 UNF			
B	0.669	0.687	17.19	17.44
C	----	0.794	----	20.16
D	----	1.020	----	25.91
E	0.422	0.453	10.72	11.50
F	0.115	0.200	2.93	5.08
G	----	0.460	----	11.68
J	----	0.280	----	7.00
K	0.236	----	6.00	----
M	----	0.589	----	14.96
N	----	0.063	----	1.60
P	0.140	0.175	3.56	4.45

NOTE :

(1) Pulse Test: Pulse Width 300 μ sec. Duty Cycle < 2%



Figure .1- Typical Forward Characteristics



Instantaneous Forward Voltage - Volts

Figure .2- Forward Derating Curve

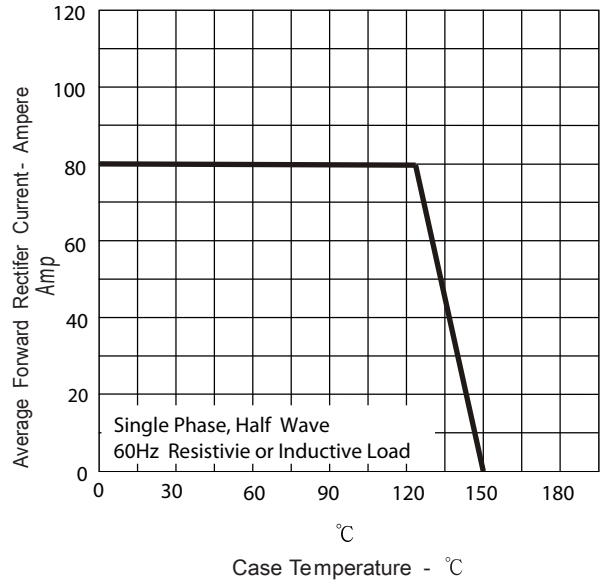


Figure.3-Peak Forward Surge Current

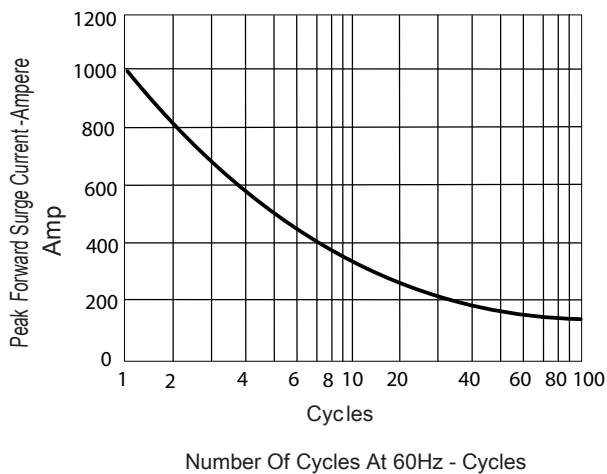


Figure .4- Typical Reverse Characteristics

