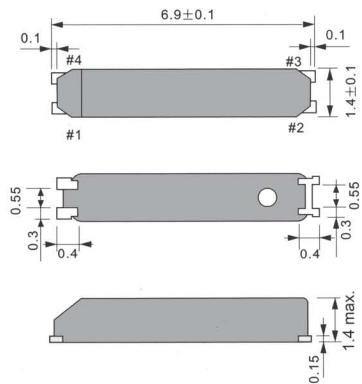


MC-146: Tuning Fork SMD Quartz Crystal 32.768KHz

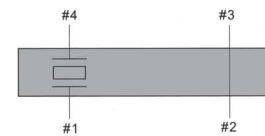
● SPECIFICATION

Type	MC-146	Conditions
Frequency Range	32.768KHz	
Load Capacitance	7pF or 12.5pF	
Drive Level	1μ W Max.	
Frequency Tolerance	± 20ppm	at 25°C
Series Resistance	65KΩ Max.	
Turnover Temperature	25°C ±5°C	
Temperature Coefficient	-0.034±0.006ppm/C ²	
Operating Temperature Range	-40°C ~ +85°C	at 25°C
Storage Temperature Range	-55°C ~ +125°C	
Motional Capacitance	0.0028pF Typical	
Shunt Capacitance	1.2pF Typ.	
Capacitance Ratio (C0/C1)	500 Typical	Depend on frequency
Aging	± 3ppm	25°C ±3°C
Quality Factor	50000 Typical	Depend on frequency
Insulation Resistance	500MΩ Min	

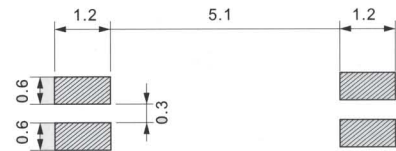
● DIMENSIONS (mm)



● INTERNAL CONNECTIONS



● SOLDER PATTERN

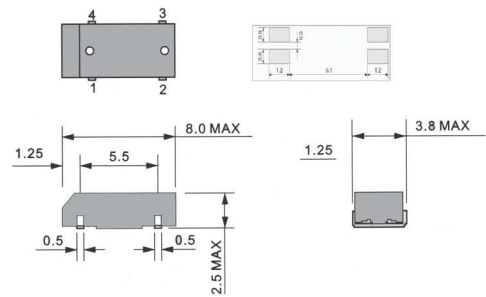


MC-306 : Tuning Fork SMD Quartz Crystal 32.768KHz

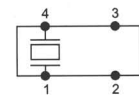
● SPECIFICATION

Type	MC-306	Conditions
Frequency Range	32.768KHz	
Load Capacitance	7pF or 12.5pF	
Drive Level	1μ W Max.	
Frequency Tolerance	± 20ppm	at 25°C
Series Resistance	50KΩ Max.	
Turnover Temperature	25°C ±5°C	
Temperature Coefficient	-0.035±0.01ppm/C ²	
Operating Temperature Range	-40°C ~ +85°C	at 25°C
Storage Temperature Range	-55°C ~ +125°C	
Motional Capacitance	0.0028pF Typical	Depend on frequency
Shunt Capacitance	1.45pF Typ.	Depend on frequency
Capacitance Ratio (C0/C1)	500 Typical	Depend on frequency
Aging	±5ppmMax.	25°C ±3°C
Quality Factor	50000 Typical	Depend on frequency
Insulation Resistance	500MΩ Min	DC100V±5V (Pin to Pin, Pin to case)

● DIMENSIONS (mm)



● INTERNAL CONNECTIONS



Pin#2 and #3 should be soldered to be OPEN electrically to the PCB.

● SOLDER PATTERN

