

Monostable Multivibrator

The MC10198 is a retriggerable monostable multivibrator. Two enable inputs permit triggering on any combination of positive or negative edges as shown in the accompanying table. The trigger input is buffered by Schmitt triggers making it insensitive to input rise and fall times.

The pulse width is controlled by an external capacitor and resistor. The resistor sets a current which is the linear discharge rate of the capacitor. Also, the pulse width can be controlled by an external current source or voltage (see applications information).

For high-speed response with minimum delay, a hi-speed input is also provided. This input bypasses the internal Schmitt triggers and the output responds within 2 nanoseconds typically.

Output logic and threshold levels are standard MECL 10,000. Test conditions are per Table 2. Each "Precondition" referred to in Table 2 is per the sequence of Table 1.

$$P_D = 415 \text{ mW typ/pkg (No Load)}$$

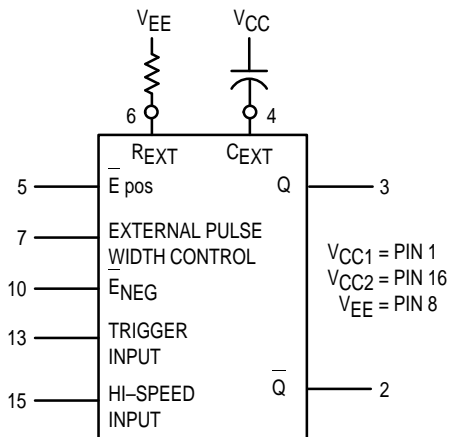
$$t_{pd} = 4.0 \text{ ns typ Trigger Inpt to Q}$$

$$2.0 \text{ ns typ Hi-Speed Input to Q}$$

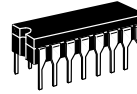
Min Timing Pulse Width	PW _{Qmin}	10 ns typ ¹
Max Timing Pulse Width	PW _{Qmax}	>10 ms typ ²
Min Trigger Pulse Width	PW _T	2.0 ns typ
Min Hi-Speed	PW _{HS}	3.0 ns typ
Trigger Pulse Width		
Enable Setup Time	t _{set}	1.0 ns typ
Enable Hold Time	t _{hold}	1.0 ns typ

- ¹ C_{Ext} = 0 (Pin 4 open), R_{Ext} = 0 (Pin 6 to V_{EE})
- ² C_{Ext} = 10 μF, R_{Ext} = 2.7 kΩ

LOGIC DIAGRAM



MC10198



L SUFFIX
CERAMIC PACKAGE
CASE 620-10

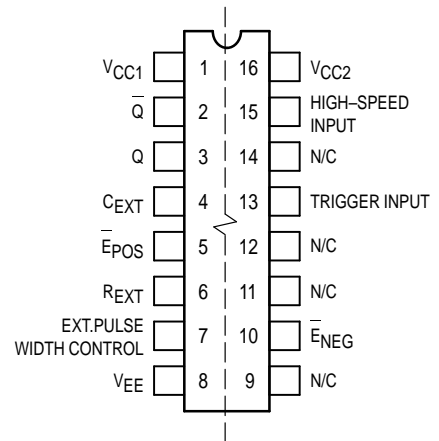


P SUFFIX
PLASTIC PACKAGE
CASE 648-08



FN SUFFIX
PLCC
CASE 775-02

DIP PIN ASSIGNMENT



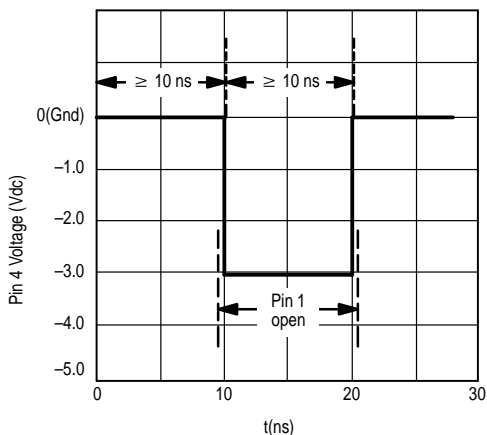
Pin assignment is for Dual-in-Line Package.
For PLCC pin assignment, see the Pin Conversion
Tables on page 6-11 of the Motorola MECL Data
Book (DL122/D).

TRUTH TABLE

INPUT		OUTPUT
E _{Pos}	E _{Neg}	
L	L	Triggers on both positive & negative input slopes
L	H	Triggers on positive input slope
H	L	Triggers on negative input slope
H	H	Trigger is disabled

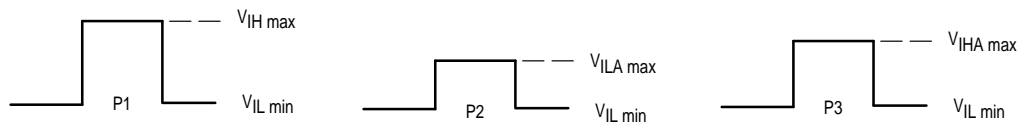


TABLE 1 — PRECONDITION SEQUENCE



1. At $t = 0$
 - a.) Apply V_{IHmax} to Pin 5 and 10.
 - b.) Apply V_{ILmin} to Pin 15.
 - c.) Ground Pin 4.
2. At $t \geq 10$ ns
 - a.) Open Pin 1.
 - b.) Apply -3.0 Vdc to Pin 4. Hold these conditions for ≥ 10 ns.
3. Return Pin 4 to Ground and perform test as indicated in Table 2.

TABLE 2 — CONDITIONS FOR TESTING OUTPUT LEVELS
(See Table 1 for Precondition Sequence)



Pins 1, 16 = V_{CC} = Ground
Pins 6, 8 = V_{EE} = -5.2 Vdc
Outputs loaded 50Ω to -2.0 Vdc

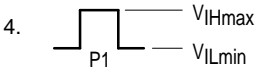
Test	P.U.T.	Pin Conditions			
		5	10	13	15
Precondition					
V_{OH}	2			$V_{IL min}$	
V_{OH}	3			P1	
Precondition					
V_{OL}	3			$V_{IL min}$	
V_{OL}	2			P1	
Precondition					
V_{OHA}	2				$V_{ILA max}$
V_{OHA}	3				$V_{IHA min}$
Precondition					
V_{OHA}	2			$V_{IL min}$	
V_{OHA}	3			P3	
Precondition					
V_{OHA}	2			P2	
V_{OHA}	3			P3	
Precondition					
V_{OHA}	2		$V_{IH max}$	P2	
V_{OHA}	3		$V_{IH max}$	P3	
Precondition					
V_{OHA}	2		$V_{IH max}$	P1	
V_{OHA}	3		$V_{IH max}$	P1	

Test	P.U.T.	Pin Conditions			
		5	10	13	15
Precondition					
V_{OHA}	2		$V_{IHA min}$	P1	
V_{OHA}	3		$V_{ILA max}$	P1	
Precondition					
V_{OLA}	3				$V_{ILA max}$
V_{OLA}	2				$V_{IHA min}$
Precondition					
V_{OLA}	2			$V_{IL min}$	
V_{OLA}	3			$V_{IL min}$	
Precondition					
V_{OLA}	3			P2	
V_{OLA}	2			P3	
Precondition					
V_{OLA}	3		$V_{IH max}$	P2	
V_{OLA}	2		$V_{IH max}$	P3	
Precondition					
V_{OLA}	3	$V_{IHA min}$	$V_{IH max}$	P1	
V_{OLA}	2	$V_{ILA max}$	$V_{IH max}$	P1	
Precondition					
V_{OLA}	3	$V_{IH max}$	$V_{IHA min}$	P1	
V_{OLA}	2	$V_{IH max}$	$V_{ILA max}$	P1	

ELECTRICAL CHARACTERISTICS

Characteristic	Symbol	Pin Under Test	Test Limits							Unit
			-30°C		+25°C			+85°C		
			Min	Max	Min	Typ	Max	Min	Max	
Power Supply Drain Current	I_E	8		110		80	100		110	mAdc
Input Current	I_{inH}	5, 10		415			260		260	μ Adc
		13		350			220		220	
15			560			350		350		
	I_{inL}	5	0.5		0.5			0.3		μ Adc
Output Voltage Logic 1	V_{OH}	2	-1.060	-0.890	-0.960		-0.810	-0.890	-0.700	Vdc
		3	-1.060	-0.890	-0.960		-0.810	-0.890	-0.700	
Output Voltage Logic 0	V_{OL}	2	-1.890	-1.675	-1.850		-1.650	-1.825	-1.615	Vdc
		3	-1.890	-1.675	-1.850		-1.650	-1.825	-1.615	
Threshold Voltage Logic 1	V_{OHA}	2	-1.080		-0.980			-0.910		Vdc
		3	-1.080		-0.980			-0.910		
Threshold Voltage Logic 0	V_{OLA}	2		-1.655			-1.630		-1.595	Vdc
		3		-1.655			-1.630		-1.595	
Switching Times (50Ω Load)										
Trigger Input	t_{T+Q+}	3	2.5	6.5	2.5	4.0	5.5	2.5	6.5	ns
		3	2.5	6.5	2.5	4.0	5.5	2.5	6.5	
High Speed Trigger Input	t_{HS+Q+}	3	1.5	3.2	1.5	2.0	2.8	1.5	3.2	ns
Minimum Timing Pulse Width	PW_{Qmin}	3				10.0				ns
Maximum Timing Pulse Width	PW_{Qmax}	3				>10				ms
Min Trigger Pulse Width	PW_T	3				2.0				ns
Min Hi-Spd Trig Pulse Width	PW_{HS}	3				3.0				ns
Rise Time (20 to 80%)		3	1.5	4.0	1.5		3.5	1.5	4.0	ns
Fall Time (20 to 80%)		3	1.5	4.0	1.5		3.5	1.5	4.0	ns
Enable Setup Time	$t_{setup}(E)$	3				1.0				ns
Enable Hold Time	$t_{hold}(E)$	3				1.0				ns

1. The monostable is in the timing mode at the time of this test.
2. $C_{EXT} = 0$ (Pin 4 Open); $R_{EXT} = 0$ (Pin 6 tied to V_{EE}).
3. $C_{EXT} = 10\mu F$ (Pin); $R_{EXT} = 2.7k$ (Pin 6).




ELECTRICAL CHARACTERISTICS (continued)

			TEST VOLTAGE VALUES (Volts)					(V _{CC}) Gnd
			V _{IHmax}	V _{ILmin}	V _{IHAmin}	V _{ILAmax}	V _{EE}	
@ Test Temperature								
-30°C			-0.890	-1.890	-1.205	-1.500	-5.2	
+25°C			-0.810	-1.850	-1.105	-1.475	-5.2	
+85°C			-0.700	-1.825	-1.035	-1.440	-5.2	
Characteristic	Symbol	Pin Under Test	TEST VOLTAGE APPLIED TO PINS LISTED BELOW					
			V _{IHmax}	V _{ILmin}	V _{IHAmin}	V _{ILAmax}	V _{EE}	
Power Supply Drain Current	I _E	8					6, 8	1, 4, 16
Input Current	I _{inH}	5, 10	5, 10				6, 8	1, 4, 16
		13 15	13 15				6, 8 6, 8	1, 4, 16 1, 4, 16
Output Voltage Logic 1	V _{OH}	2					6, 8	1, 4, 16
		3	13 (4.)	13			6, 8	1, 4, 16
Output Voltage Logic 0	V _{OL}	2					6, 8	1, 4, 16
		3	13 (4.)	13			6, 8	1, 4, 16
Threshold Voltage Logic 1	V _{OHA}	2				15	6, 8	1, 16, 4
		3				15	6, 8	1, 16, 4
Threshold Voltage Logic 0	V _{OLA}	2				15	6, 8	1, 16, 4
		3				15	6, 8	1, 16, 4
Switching Times (50Ω Load)			+1.11V		Pulse In	Pulse Out	-3.2 V	+2.0 V
Trigger Input	t _{T+Q+}	3	10		13	3	6, 8	1, 16, 4
	t _{T-Q+}	3	5		13	3	6, 8	1, 16, 4
High Speed Trigger Input	t _{HS+Q+}	3			15	3	6, 8	1, 16, 4
Minimum Timing Pulse Width	PW _{Qmin}	3				Note 2.	6, 8	1, 16, 4
Maximum Timing Pulse Width	PW _{Qmax}	3				Note 3.	6, 8	1, 16, 4
Minimum Trigger Pulse Width	PW _T	3			13	3	6, 8	1, 16, 4
Minimum Hi-Spd Trigger Pulse Width	PW _{HS}	3			15	3	6, 8	1, 16, 4
Rise Time (20 to 80%)		3					6, 8	1, 16, 4
Fall Time (20 to 80%)		3					6, 8	1, 16, 4
Enable Setup Time	t _{setup} (E)	3			5	3	6, 8	1, 16, 4
Enable Hold Time	t _{hold} (E)	3			5	3	6, 8	1, 16, 4

1. The monostable is in the timing mode at the time of this test.

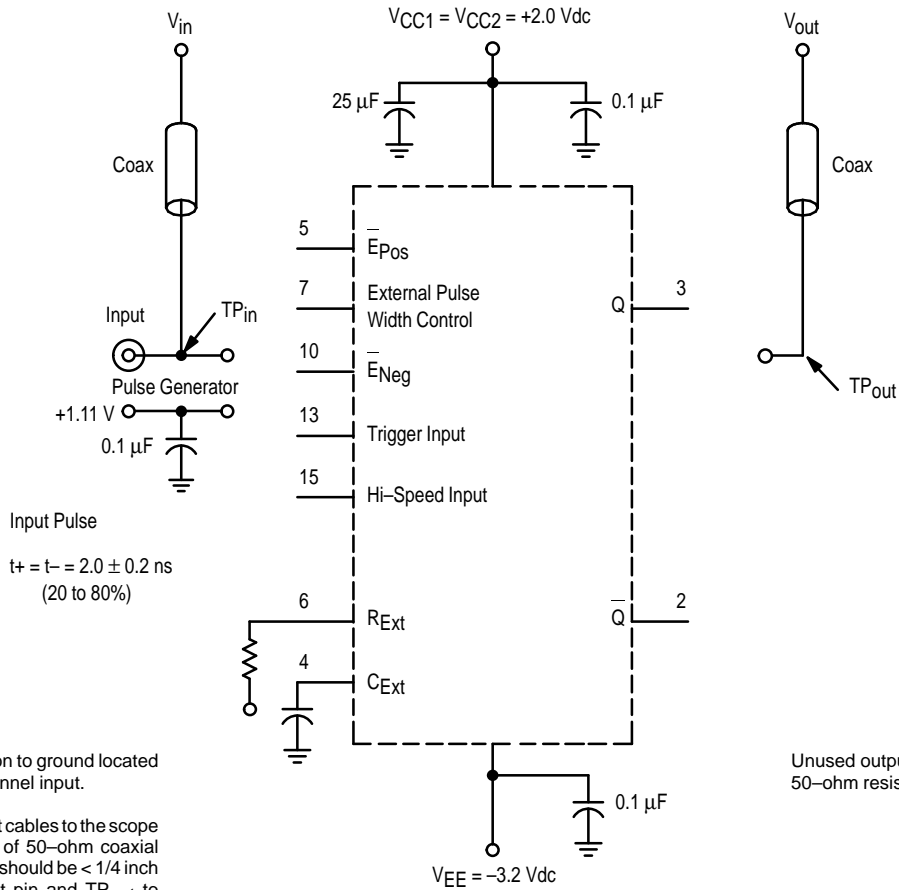
2. C_{EXT} = 0 (Pin 4 Open); R_{EXT} = 0 (Pin 6 tied to V_{EE}).

3. C_{EXT} = 10μF (Pin); R_{EXT} = 2.7k (Pin 6).

4. 

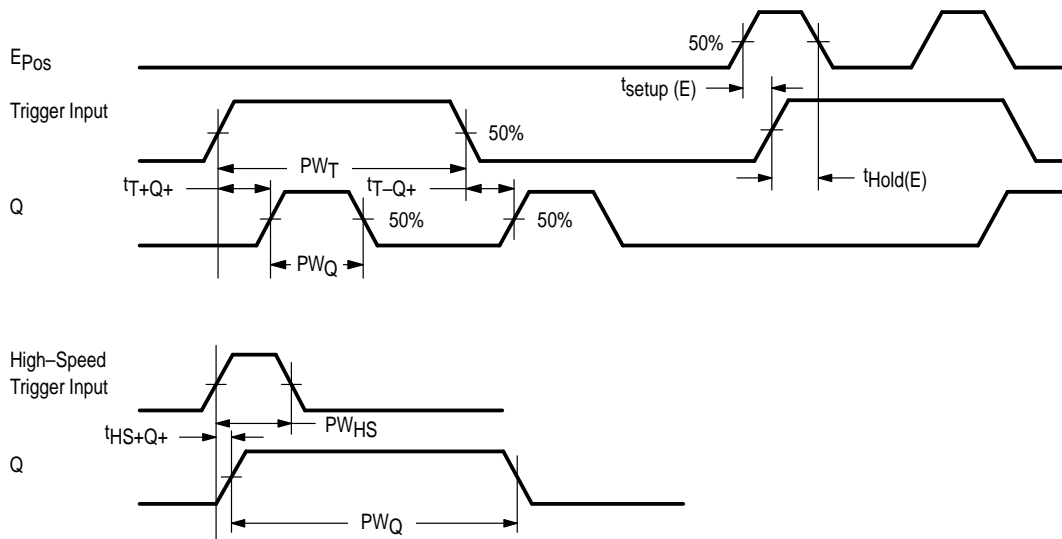
Each MECL 10,000 series circuit has been designed to meet the dc specifications shown in the test table, after thermal equilibrium has been established. The circuit is in a test socket or mounted on a printed circuit board and transverse air flow greater than 500 linear fpm is maintained. Outputs are terminated through a 50-ohm resistor to -2.0 volts. Test procedures are shown for only one gate. The other gates are tested in the same manner.

SWITCHING TIME TEST CIRCUIT AND WAVEFORMS @ 25°C



50-ohm termination to ground located in each scope channel input.

All input and output cables to the scope are equal lengths of 50-ohm coaxial cable. Wire length should be < 1/4 inch from TP_{in} to input pin and TP_{out} to output pin.



APPLICATIONS INFORMATION

Circuit Operation:

1. PULSE WIDTH TIMING — The pulse width is determined by the external resistor and capacitor. The MC10198 also has an internal resistor (nominally 284 ohms) that can be used in series with R_{Ext} . Pin 7, the external pulse width control, is a constant voltage node (-3.60 V nominally). A resistance connected in series from this node to V_{EE} sets a constant timing current I_T . This current determines the discharge rate of the capacitor:

$$I_T = C_{Ext} \frac{\Delta V}{\Delta T}$$

where

ΔT = pulse width
 ΔV = 1.9 V change in capacitor voltage

Then:

$$\Delta T = C_{Ext} \frac{1.9 V}{I_T}$$

If $R_{Ext} + R_{Int}$ are in series to V_{EE} :

$$I_T = \frac{(-3.60 V) - (-5.2 V)}{R_{Ext} + 284 \Omega}$$

$$I_T = 1.6 V / (R_{Ext} + 284)$$

The timing equation becomes:

$$\Delta T = [(C_{Ext})(1.9 V)] \div [1.6 V / (R_{Ext} + 284)]$$

$$\Delta T = C_{Ext} (R_{Ext} + 284) 1.19$$

where ΔT = Sec

R_{Ext} = Ohms
 C_{Ext} = Farads

FIGURE 1 —

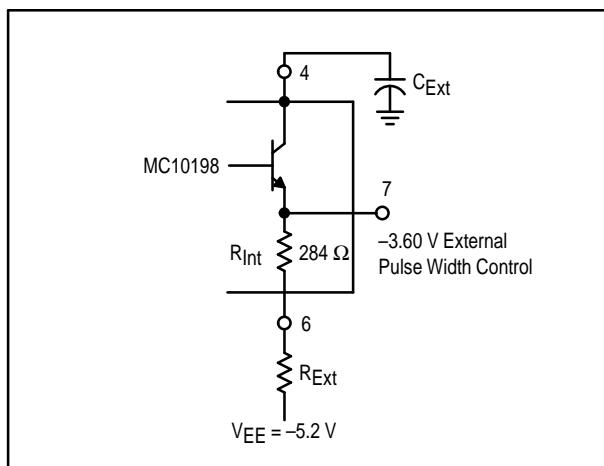


Figure 2 shows typical curves for pulse width versus C_{Ext} and R_{Ext} (total resistance includes R_{Int}). Any low leakage capacitor can be used and R_{Ext} can vary from 0 to 16 k-ohms.

2. TRIGGERING — The \bar{E}_{Pos} and \bar{E}_{Neg} inputs control the trigger input. The MC10198 can be programmed to trigger on the positive edge, negative edge, or both. Also, the trigger input can be totally disabled. The truth table is shown on the first page of the data sheet.

The device is totally retriggerable. However, as duty cycle approaches 100%, pulse width jitter can occur due to the recovery time of the circuit. Recovery time is basically dependent on capacitance C_{Ext} . Figure 3 shows typical recovery time versus capacitance at $I_T = 5$ mA.

FIGURE 2 — TIMING PULSE WIDTH versus C_{Ext} and R_{Ext}

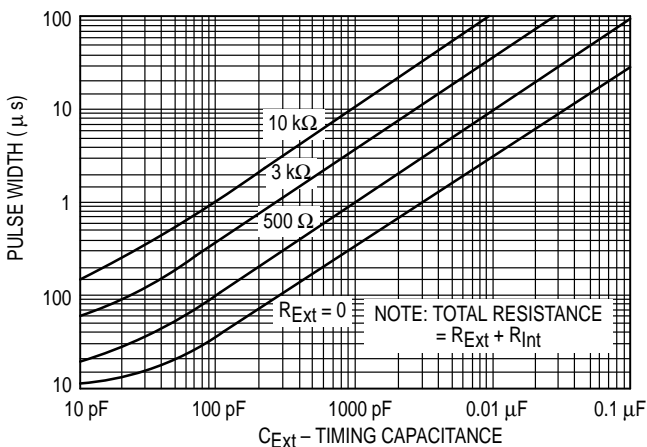
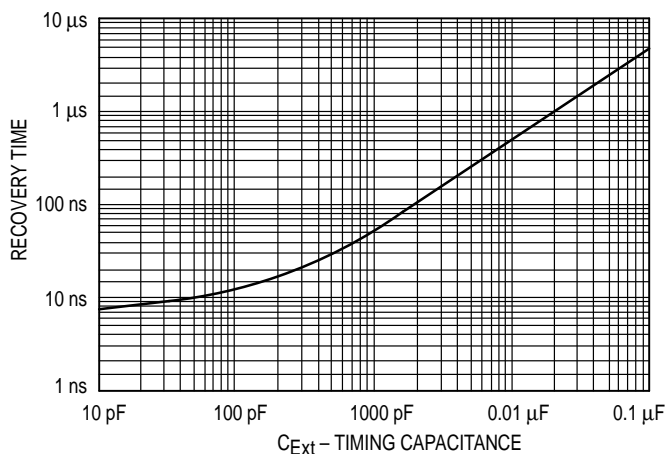


FIGURE 3 — RECOVERY TIME versus C_{Ext} @ $I_T = 5$ mA

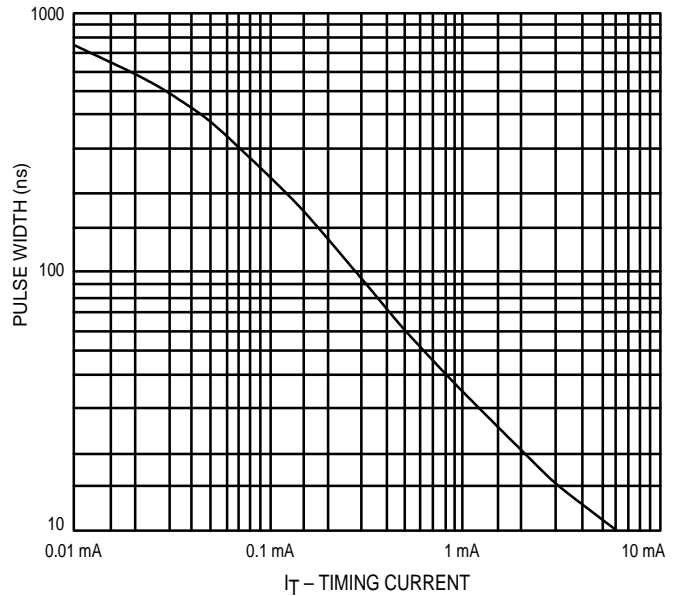


3. HI-SPEED INPUT — This input is used for stretching very narrow pulses with minimum delay between the output pulse and the trigger pulse. The trigger input should be disabled when using the high-speed input. The MC10198 triggers on the rising edge, using this input, and input pulse width should narrow, typically less than 10 nanoseconds.

USAGE RULES:

1. Capacitor lead lengths should be kept very short to minimize ringing due to fast recovery rise times.
2. The E inputs should not be tied to ground to establish a high logic level. A resistor divider or diode can be used to establish a -0.7 to -0.9 voltage level.
3. For optimum temperature stability; 0.5 mA is the best timing current I_T . The device is designed to have a constant voltage at the EXTERNAL PULSE WIDTH CONTROL over temperature at this current value.
4. Pulse Width modulation can be attained with the EXTERNAL PULSE WIDTH CONTROL. The timing current can be altered to vary the pulse width. Two schemes are:
 - a. The internal resistor is not used. A dependent current source is used to set the timing current as shown in Figure 4. A graph of pulse width versus timing current ($C_{Ext} = 13$ pF) is shown in Figure 5.

FIGURE 5 — PULSE WIDTH versus I_T @ $C_{Ext} = 13$ pF



- b. A control voltage can also be used to vary the pulse width using an additional resistor (Figure 6). The current ($I_T + I_C$) is set by the voltage drop across $R_{Int} + R_{Ext}$. The control current I_C modifies I_T and alters the pulse width. Current I_C should never force I_T to zero. R_C typically 1 k Ω .

FIGURE 4 —

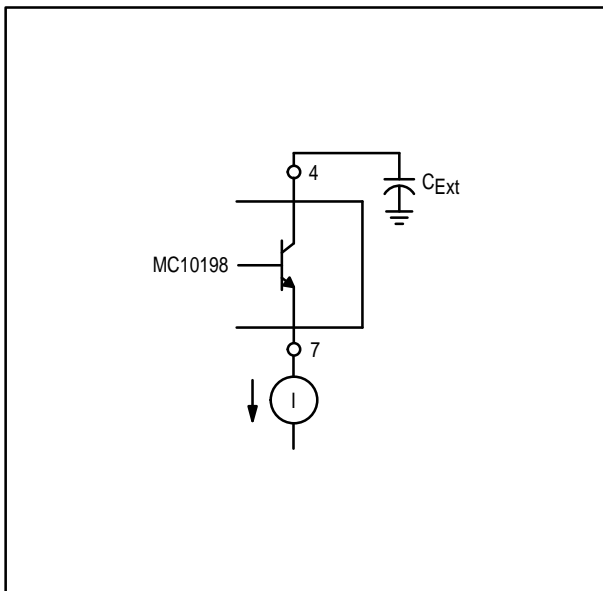
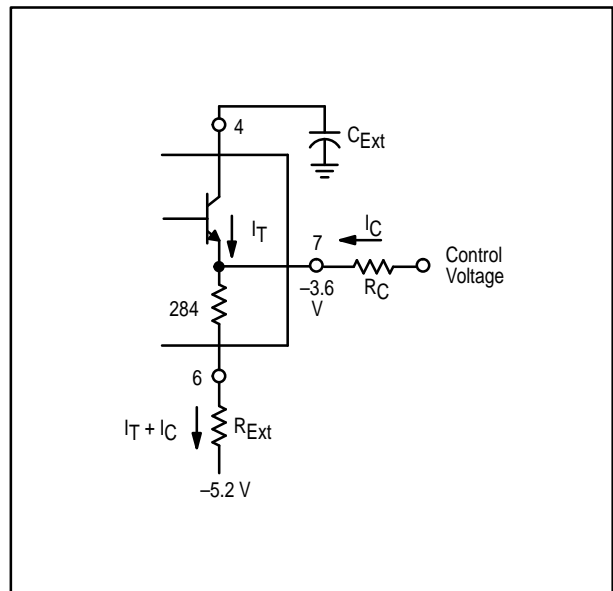
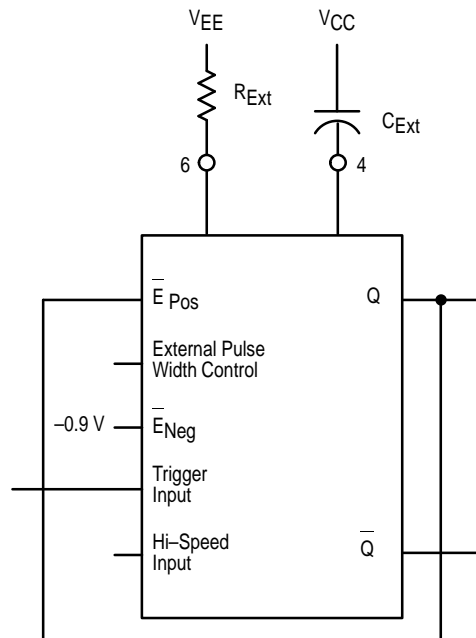


FIGURE 6 —



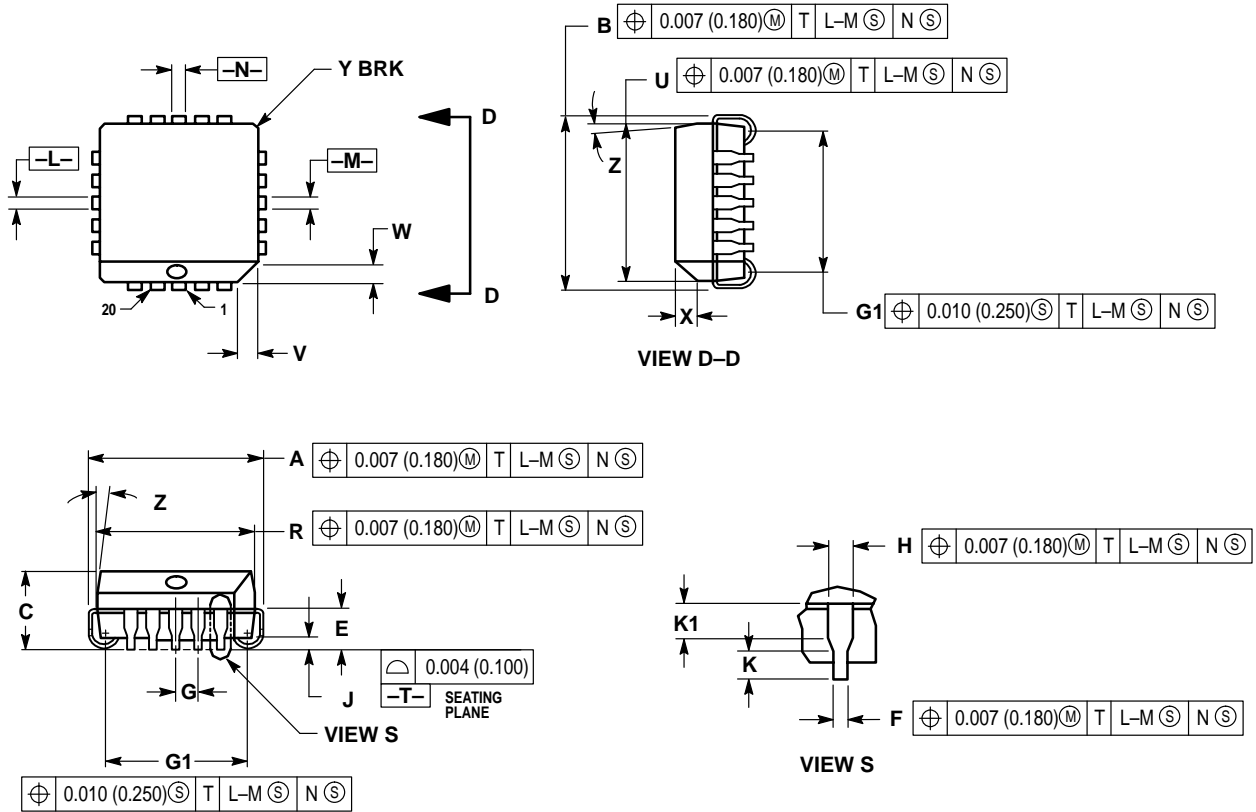
5. The MC10198 can be made non-retriggerable. The Q output is fed back to disable the trigger input during the triggered state (Logic Diagram). Figure 7 shows a positive triggered configuration; a similar configuration can be made for negative triggering.

FIGURE 7 —



OUTLINE DIMENSIONS

FN SUFFIX
PLASTIC PLCC PACKAGE
CASE 775-02
ISSUE C



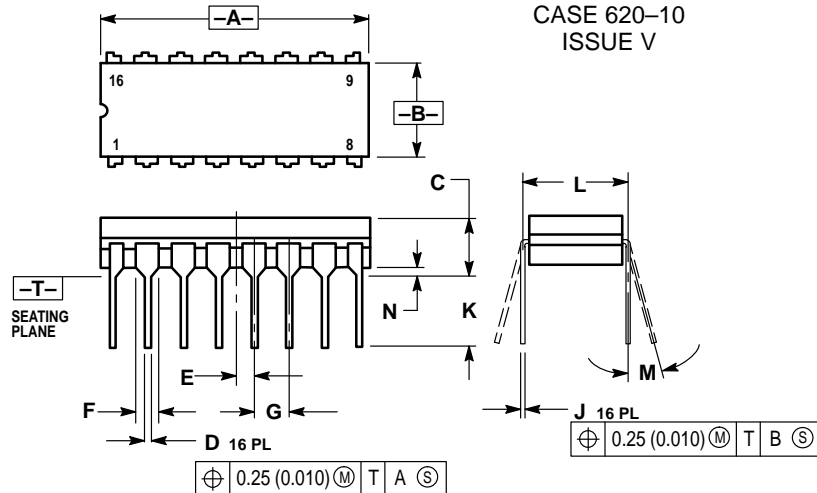
NOTES:

- DATUMS -L-, -M-, AND -N- DETERMINED WHERE TOP OF LEAD SHOULDER EXITS PLASTIC BODY AT MOLD PARTING LINE.
- DIMENSION G1, TRUE POSITION TO BE MEASURED AT DATUM -T-, SEATING PLANE.
- DIMENSIONS R AND U DO NOT INCLUDE MOLD FLASH. ALLOWABLE MOLD FLASH IS 0.010 (0.250) PER SIDE.
- DIMENSIONING AND TOLERANCING PER ANSI Y14.5M, 1982.
- CONTROLLING DIMENSION: INCH.
- THE PACKAGE TOP MAY BE SMALLER THAN THE PACKAGE BOTTOM BY UP TO 0.012 (0.300). DIMENSIONS R AND U ARE DETERMINED AT THE OUTERMOST EXTREMES OF THE PLASTIC BODY EXCLUSIVE OF MOLD FLASH, TIE BAR BURRS, GATE BURRS AND INTERLEAD FLASH, BUT INCLUDING ANY MISMATCH BETWEEN THE TOP AND BOTTOM OF THE PLASTIC BODY.
- DIMENSION H DOES NOT INCLUDE DAMBAR PROTRUSION OR INTRUSION. THE DAMBAR PROTRUSION(S) SHALL NOT CAUSE THE H DIMENSION TO BE GREATER THAN 0.037 (0.940). THE DAMBAR INTRUSION(S) SHALL NOT CAUSE THE H DIMENSION TO BE SMALLER THAN 0.025 (0.635).

DIM	INCHES		MILLIMETERS	
	MIN	MAX	MIN	MAX
A	0.385	0.395	9.78	10.03
B	0.385	0.395	9.78	10.03
C	0.165	0.180	4.20	4.57
E	0.090	0.110	2.29	2.79
F	0.013	0.019	0.33	0.48
G	0.050 BSC		1.27 BSC	
H	0.026	0.032	0.66	0.81
J	0.020	—	0.51	—
K	0.025	—	0.64	—
R	0.350	0.356	8.89	9.04
U	0.350	0.356	8.89	9.04
V	0.042	0.048	1.07	1.21
W	0.042	0.048	1.07	1.21
X	0.042	0.056	1.07	1.42
Y	—	0.020	—	0.50
Z	2°	10°	2°	10°
G1	0.310	0.330	7.88	8.38
K1	0.040	—	1.02	—

OUTLINE DIMENSIONS

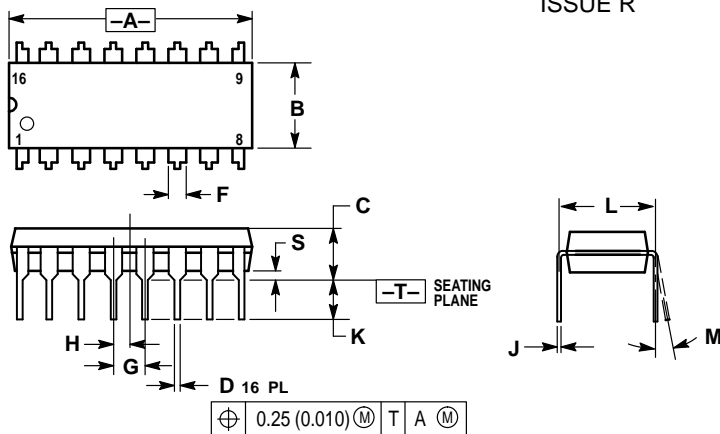
L SUFFIX
CERAMIC DIP PACKAGE
 CASE 620-10
 ISSUE V



- NOTES:
1. DIMENSIONING AND TOLERANCING PER ANSI Y14.5M, 1982.
 2. CONTROLLING DIMENSION: INCH.
 3. DIMENSION L TO CENTER OF LEAD WHEN FORMED PARALLEL.
 4. DIMENSION F MAY NARROW TO 0.76 (0.030) WHERE THE LEAD ENTERS THE CERAMIC BODY.

DIM	INCHES		MILLIMETERS	
	MIN	MAX	MIN	MAX
A	0.750	0.785	19.05	19.93
B	0.240	0.295	6.10	7.49
C	—	0.200	—	5.08
D	0.015	0.020	0.39	0.50
E	0.050 BSC		1.27 BSC	
F	0.055	0.065	1.40	1.65
G	0.100 BSC		2.54 BSC	
H	0.008	0.015	0.21	0.38
K	0.125	0.170	3.18	4.31
L	0.300 BSC		7.62 BSC	
M	0°	15°	0°	15°
N	0.020	0.040	0.51	1.01

P SUFFIX
PLASTIC DIP PACKAGE
 CASE 648-08
 ISSUE R



- NOTES:
1. DIMENSIONING AND TOLERANCING PER ANSI Y14.5M, 1982.
 2. CONTROLLING DIMENSION: INCH.
 3. DIMENSION L TO CENTER OF LEADS WHEN FORMED PARALLEL.
 4. DIMENSION B DOES NOT INCLUDE MOLD FLASH.
 5. ROUNDED CORNERS OPTIONAL.

DIM	INCHES		MILLIMETERS	
	MIN	MAX	MIN	MAX
A	0.740	0.770	18.80	19.55
B	0.250	0.270	6.35	6.85
C	0.145	0.175	3.69	4.44
D	0.015	0.021	0.39	0.53
F	0.040	0.70	1.02	1.77
G	0.100 BSC		2.54 BSC	
H	0.050 BSC		1.27 BSC	
J	0.008	0.015	0.21	0.38
K	0.110	0.130	2.80	3.30
L	0.295	0.305	7.50	7.74
M	0°	10°	0°	10°
S	0.020	0.040	0.51	1.01

Motorola reserves the right to make changes without further notice to any products herein. Motorola makes no warranty, representation or guarantee regarding the suitability of its products for any particular purpose, nor does Motorola assume any liability arising out of the application or use of any product or circuit, and specifically disclaims any and all liability, including without limitation consequential or incidental damages. "Typical" parameters which may be provided in Motorola data sheets and/or specifications can and do vary in different applications and actual performance may vary over time. All operating parameters, including "Typicals" must be validated for each customer application by customer's technical experts. Motorola does not convey any license under its patent rights nor the rights of others. Motorola products are not designed, intended, or authorized for use as components in systems intended for surgical implant into the body, or other applications intended to support or sustain life, or for any other application in which the failure of the Motorola product could create a situation where personal injury or death may occur. Should Buyer purchase or use Motorola products for any such unintended or unauthorized application, Buyer shall indemnify and hold Motorola and its officers, employees, subsidiaries, affiliates, and distributors harmless against all claims, costs, damages, and expenses, and reasonable attorney fees arising out of, directly or indirectly, any claim of personal injury or death associated with such unintended or unauthorized use, even if such claim alleges that Motorola was negligent regarding the design or manufacture of the part. Motorola and are registered trademarks of Motorola, Inc. Motorola, Inc. is an Equal Opportunity/Affirmative Action Employer.

How to reach us:

USA/EUROPE/Locations Not Listed: Motorola Literature Distribution; P.O. Box 5405, Denver, Colorado 80217. 303-675-2140 or 1-800-441-2447

Mfax™: RMFAX0@email.sps.mot.com – TOUCHTONE 602-244-6609
INTERNET: http://Design-NET.com

JAPAN: Nippon Motorola Ltd.; Tatsumi-SPD-JLDC, 6F Seibu-Butsuryu-Center, 3-14-2 Tatsumi Koto-Ku, Tokyo 135, Japan. 81-3-3521-8315

ASIA/PACIFIC: Motorola Semiconductors H.K. Ltd.; 8B Tai Ping Industrial Park, 51 Ting Kok Road, Tai Po, N.T., Hong Kong. 852-26629298

