



MOTOROLA

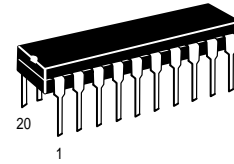
130 MHz Voltage Controlled Multivibrator

- High Frequency VCM Ideal for PLL Applications
- Single External Resistor Determines Center Frequency; Additional Resistor Determines f/V Sensitivity
- Internal Ripple Counter (1/2, 1/4, 1/8) for Low Frequency Applications, TTL/ECL Outputs
- VCO Output Enable Pins (TTL/ECL Level)
- +5.0 V Single Supply Voltage
- Packages: DIP, PLCC

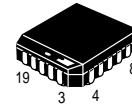
MC12101

130 MHz VOLTAGE CONTROLLED MULTIVIBRATOR

SEMICONDUCTOR TECHNICAL DATA



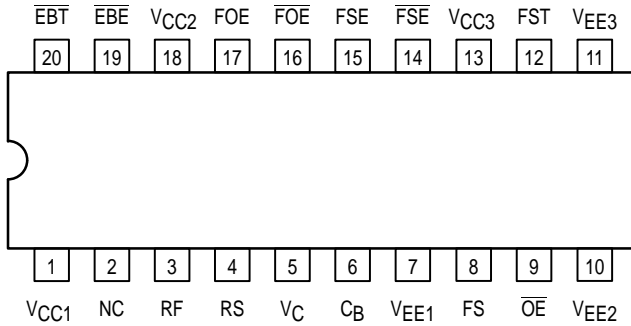
P SUFFIX
PLASTIC PACKAGE
CASE 738



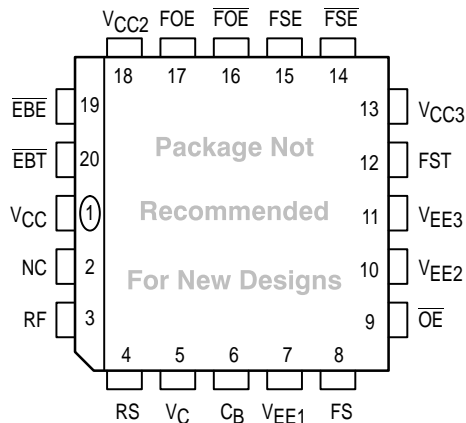
FN SUFFIX
PLASTIC PACKAGE
CASE 775
(PLCC)

Not Recommended For New Designs

Pinout: 20-Lead Plastic Package (Top View)



Pinout: 20-Lead PLCC Package (Top View)



PIN NAMES

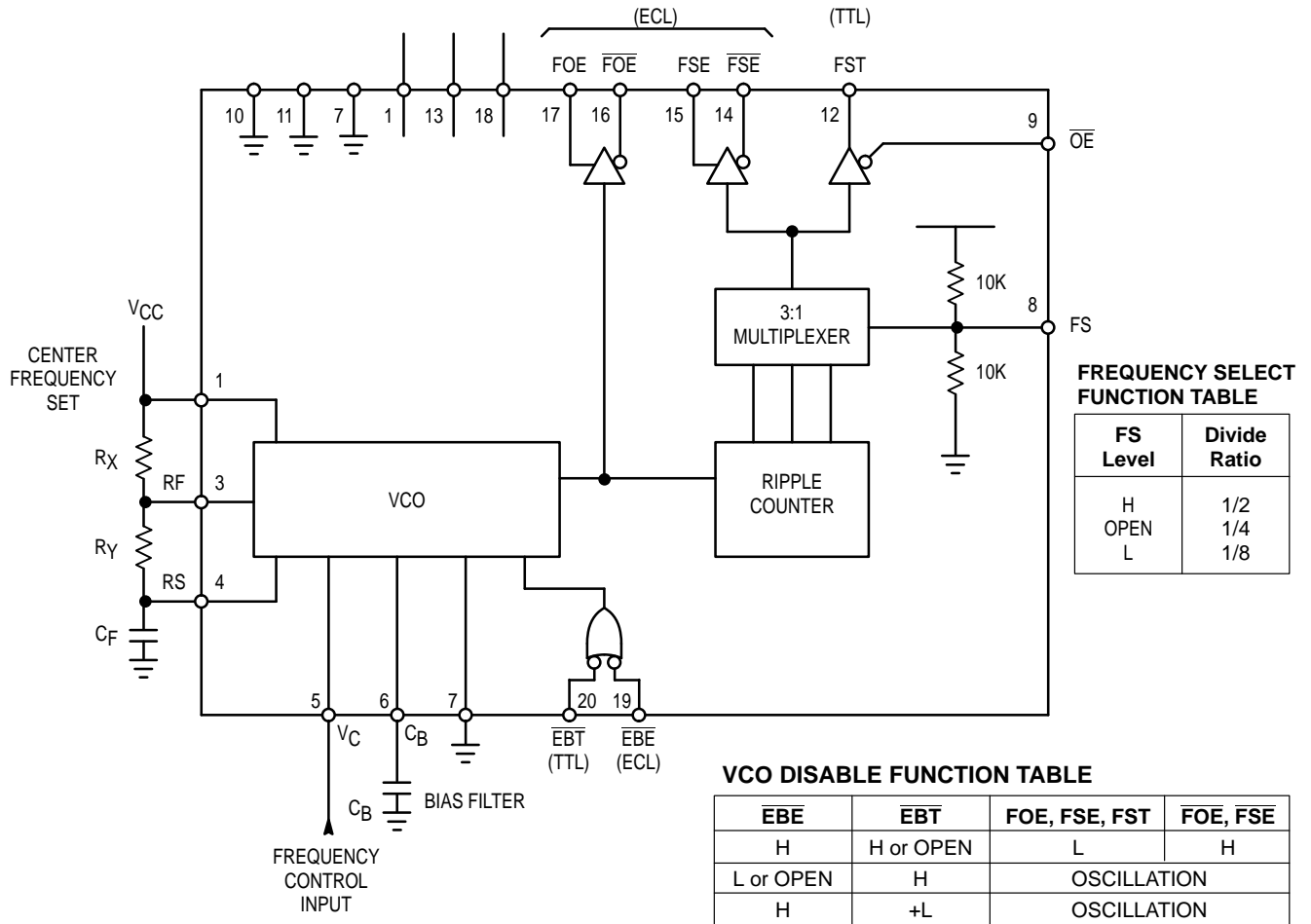
Pin	Function
RF, RS	Center Frequency Inputs
V _C	Frequency Control Input
C _B	Bias Filter Input
FS	Frequency Select Input
OE	TTL Output Enable
FST	TTL +2, +4, +8 Output
FSE, FSE	Diff ECL +2, +4, +8 Outputs
FOE, FOE	Diff ECL +1 Outputs
EBE	VCO Disable, ECL Level Input
EBT	VCO Disable, TTL Level Input

ORDERING INFORMATION

Device	Operating Temperature Range	Package
MC12101P	T _A = -40° to +75°C	Plastic

MC12101

Figure 1. Block Diagram



ABSOLUTE MAXIMUM RATINGS

Parameter	Symbol	Value	Unit
Power Supply Voltage	V_{CC1} V_{CC2} V_{CC3}	-0.5 to 8.0	V
Input Voltage	V_{IN} (TTL)	-0.5 to V_{CC}	V
Input Voltage	V_{IN} (ECL)	-0.5 to V_{CC}	V
Output Source Current – Surge	$I_{OUT}(ECL)$	100	mA
Output Source Current – Continuous		50	mA
Junction Operating Temperature	T_J	140	°C
Storage Temperature	T_{STG}	-55 to 150	°C

NOTE: ESD data available upon request.

OPERATING CONDITIONS

Parameter	Symbol	Value	Unit
Ambient Temperature	T_A	0 to 75	°C
Supply Voltage	V_{CC}	4.75 to 5.25	V
TTL High Output Current	I_{OH} (TTL)	-1.0	mA
TTL Low Output Current	I_{OL} (TTL)	20	mA

MC12101

DC CHARACTERISTICS ($V_{CC} = 5.0\text{ V} \pm 5\%$; $R_X = 2.4\text{ k}\Omega$; $R_Y = 1.5\text{ k}\Omega$; $C_B = 0.001\text{ }\mu\text{F}$, unless otherwise noted.)

Characteristic	Symbol	0°C		25°C			75°C		Unit	Condition
		Min	Max	Min	Typ	Max	Min	Max		
Supply Current	I_{CC}	80	135	70	100	120	85	150	mA	$\overline{EBT} = \overline{EBE} = V_{CC}$ (ECL, TTL)
Output Low Voltage, TTL	V_{OLT}	-	-	-	-	0.5	-	-	V	$F_S = \text{GND}$
Output High Voltage, TTL	V_{OHT}	-	-	2.4	-	-	-	-	V	$F_S = \text{GND}$
Output Low Voltage, ECL	V_{OLE}	-	-	3.0	-	3.4	-	-	V	$V_{CC} = 5.0\text{ V}$, $R_L = 50\text{ }\Omega$, $V_T = 3.0\text{ V}$
Output High Voltage, ECL	V_{OHE}	-	-	3.9	-	4.19	-	-	V	$V_{CC} = 5.0\text{ V}$, $R_L = 50\text{ }\Omega$, $V_T = 3.0\text{ V}$
\overline{EBT} Input Low Current	I_{ILT}	-	-	-	-	400	-	-	μA	$V_{IN} = 0.4\text{ V}$
\overline{EBT} Input High Current	I_{IHT}	-	-	-	-	20	-	-	μA	$V_{IN} = 2.7\text{ V}$
		-	-	-	-	100	-	-	μA	$V_{IN} = 7.0\text{ V}$
\overline{EBE} Input High Current	I_{INHE}	-	-	-	-	250	-	-	μA	$V_{IN} = 4.19\text{ V}$
\overline{EBE} Input Low Current	I_{INLE}	-	-	1.0	-	-	-	-	μA	$V_{IN} = 3.05\text{ V}$
FS Input, Max "L" Level	V_{ILS}	-	-	-	-	1.2	-	-	V	$V_{CC} = 5.0\text{ V}$
FS Input, "Medium" Level	V_{IMS}	-	-	2.0	-	3.0	-	-	V	$V_{CC} = 5.0\text{ V}$
FS Input, Min "H" Level	V_{IHS}	-	-	3.8	-	-	-	-	V	$V_{CC} = 5.0\text{ V}$
\overline{EBT} Input Low Voltage	V_{ILT}	-	0.8	-	-	0.8	-	0.8	V	
\overline{EBT} Input High Voltage	V_{IHT}	2.0	-	2.0	-	-	2.0	-	V	
\overline{EBE} Input High Voltage	V_{IHE}	-	-	3.87	-	4.19	-	-	V	$V_{CC} = 5.0\text{ V}$
\overline{EBE} Input Low Voltage	V_{ILE}	-	-	3.05	-	3.52	-	-	V	$V_{CC} = 5.0\text{ V}$
V_C Input Voltage, $V_C = V_{CC} \div 2$	V_{LM}	-	-	± 1.1	± 1.3	± 1.5	-	-	V	$V_{CC} = 5.0\text{ V}$
C_B Output Voltage	V_{CB}	-	-	2.35	2.50	2.65	-	-	V	$V_{CC} = 5.0\text{ V}$

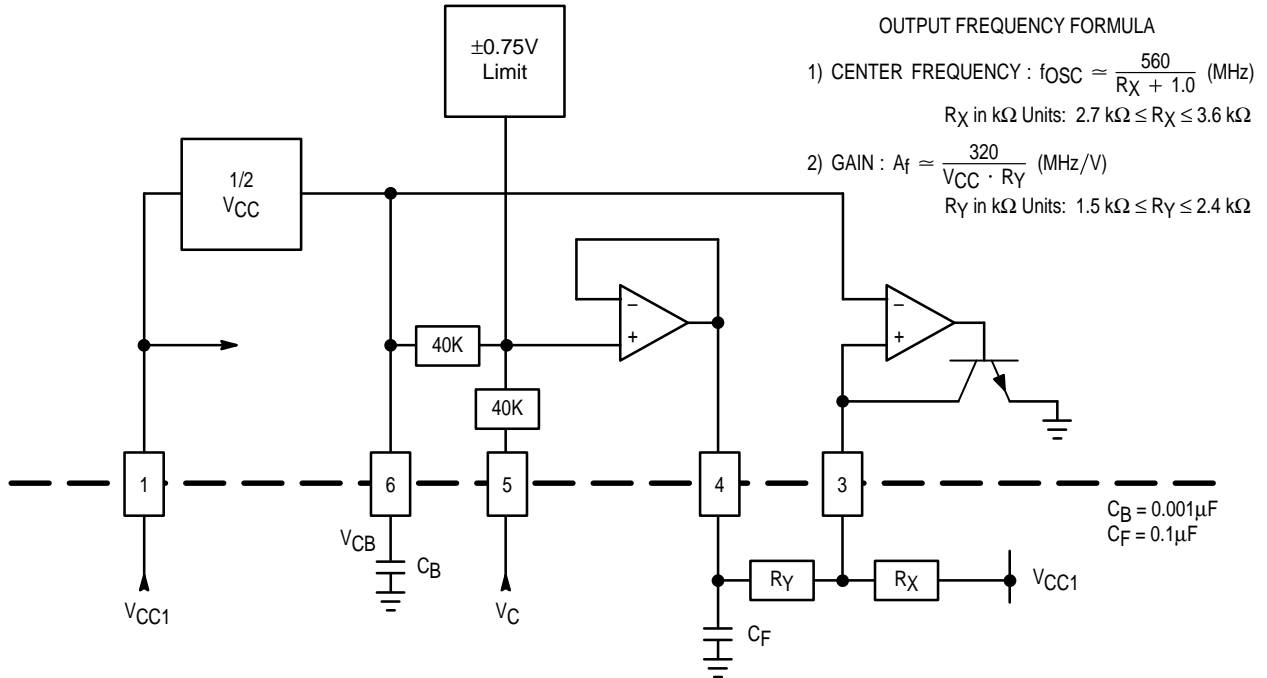
AC CHARACTERISTICS ($V_{CC} = 5.0\text{ V}$; $R_X = 2.4\text{ k}\Omega$; $R_Y = 1.5\text{ k}\Omega$; $C_B = 0.001\text{ }\mu\text{F}$; $V_T = 3.0\text{ V}$, unless otherwise noted.)

Characteristic	Symbol	0°C		25°C			75°C		Unit	Condition
		Min	Max	Min	Typ	Max	Min	Max		
Center Frequency ($V_C - V_{CB} = 0\text{V}$)	FO	-	-	117	130	143	-	-	MHz	$V_{CC} = 2.0\text{ V}$ $V_{EE} = -3.0\text{ V}$
Frequency Range ($V_C = 1/2 V_{CC} \pm 1.5\text{V}$, $V_{CC} = 5.0\text{V}$)	$F_{MAX} - F_{MIN}$	-	-	68	80	92	-	-	MHz	
FOE/ \overline{FOE} /FSE/ \overline{FSE} Rise Time	t_{rE}	-	-	0.5	-	2.4	-	-	ns	
FOE/ \overline{FOE} /FSE/ \overline{FSE} Fall Time	t_{fE}	-	-	0.5	-	2.4	-	-	ns	
Reset Time	TTT	-	-	-	-	40	-	-	ns	$\overline{EBT} \sim \text{FST}$
Reset Time	TTO	-	-	-	-	25	-	-	ns	$\overline{EBT} \sim \overline{FOE}/\text{FOE}$
Reset Time	TTS	-	-	-	-	35	-	-	ns	$\overline{EBT} \sim \text{FSE}/\overline{FSE}$
Reset Time	TET	-	-	-	-	32	-	-	ns	$\overline{EBE} \sim \text{FST}$
Reset Time	TEO	-	-	-	-	12	-	-	ns	$\overline{EBE} \sim \overline{FOE}/\text{FOE}$
Reset Time	TES	-	-	-	-	30	-	-	ns	$\overline{EBE} \sim \text{FSE}/\overline{FSE}$

NOTE: Loading: ECL = 50 Ω to V_T ; TTL = 500 Ω , 50 pF

MC12101

Figure 2. VCO Detail



Notes:

- For optimum VCO linearity (MHz/V), the following resistor ranges are recommended:
 $3.6 k\Omega \leq R_X \leq 4.6 k\Omega$ ($R_Y = 2.0 k\Omega$)
 $1.5 k\Omega \leq R_Y \leq 2.4 k\Omega$ ($R_X = 3.3 k\Omega$)
- TTL output maximum frequency = 50 MHz
- Simultaneous use of both ECL and TTL outputs are not recommended due to excessive power consumption for the EIAJ Type II SO package

Figure 3. AC Test Circuit (FO/t_{RE}/t_{FE} Measurement)

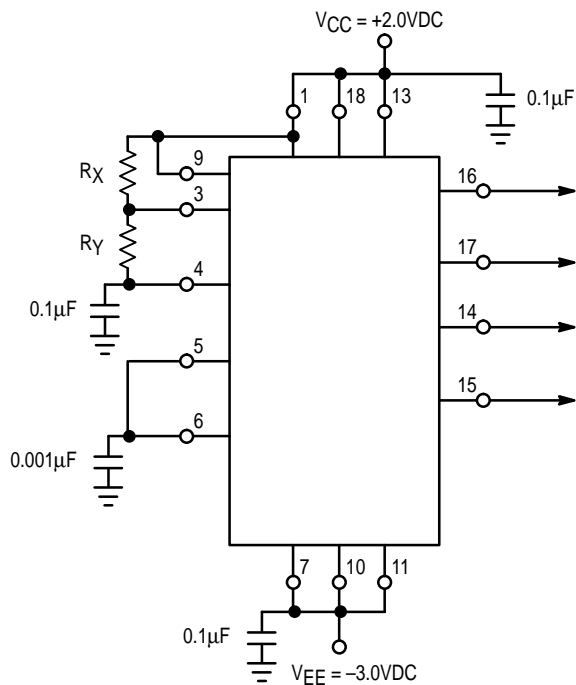
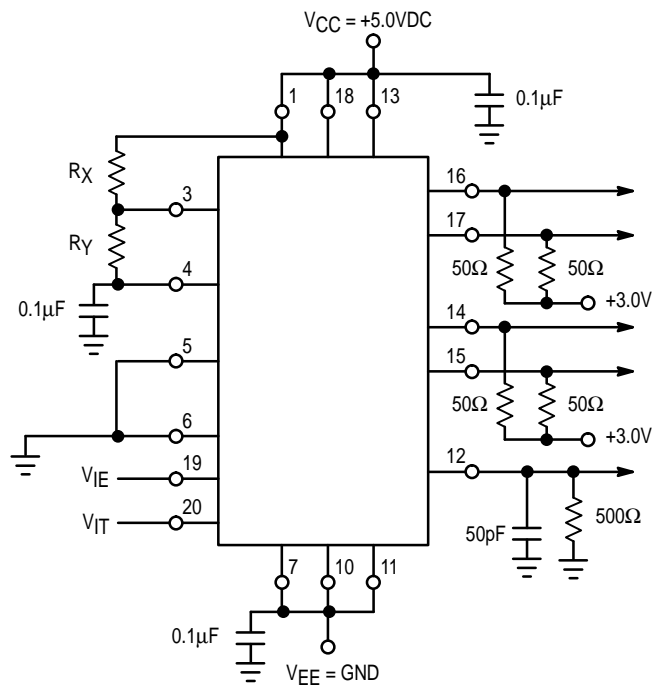
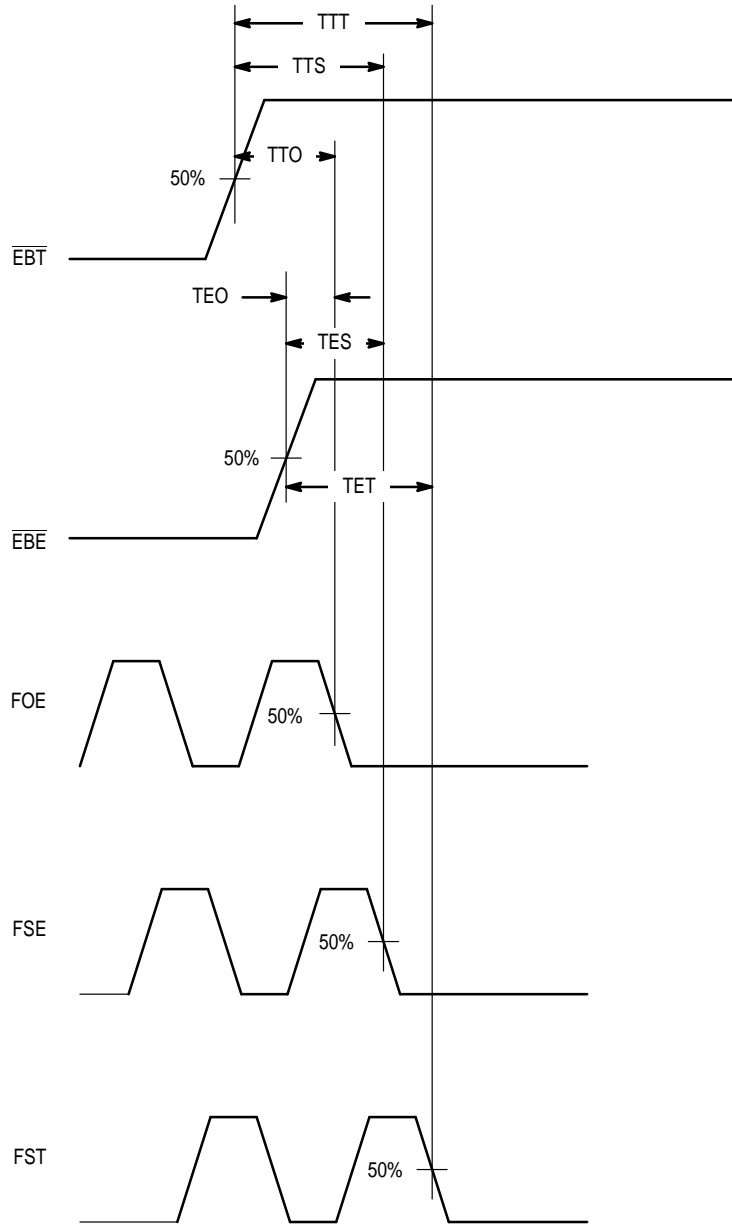


Figure 4. AC Test Circuit (Other Measurements)



MC12101

Figure 5. Switching Waveforms



VCO DISABLE FUNCTION TABLE

\overline{EBE}	\overline{EBT}	$\overline{FOE, FSE, FST}$	$\overline{FOE, FSE}$
H	H or OPEN	L	H
L or OPEN	H	OSCILLATION	
H	L	OSCILLATION	

Figure 6. V_C versus Output Frequency
 (Varying R_x @ $V_{CC} = 5.0\text{ V}$; $T_A = 25^\circ\text{C}$; $R_y = 2.0\text{ k}\Omega$)

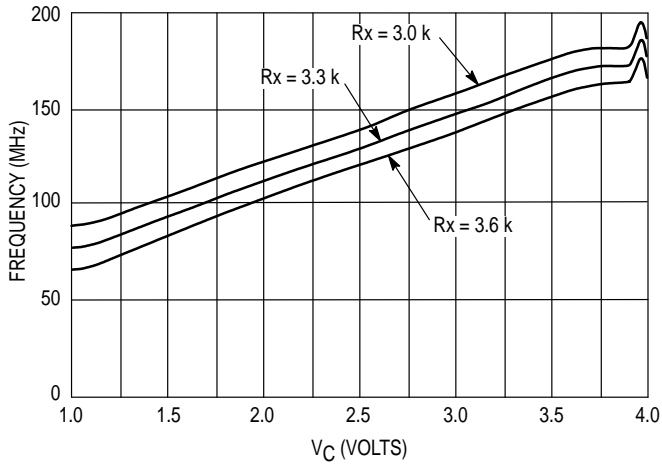


Figure 7. V_C versus Output Frequency
 (Varying R_y @ $V_{CC} = 5.0\text{ V}$; $T_A = 25^\circ\text{C}$; $R_x = 3.3\text{ k}\Omega$)

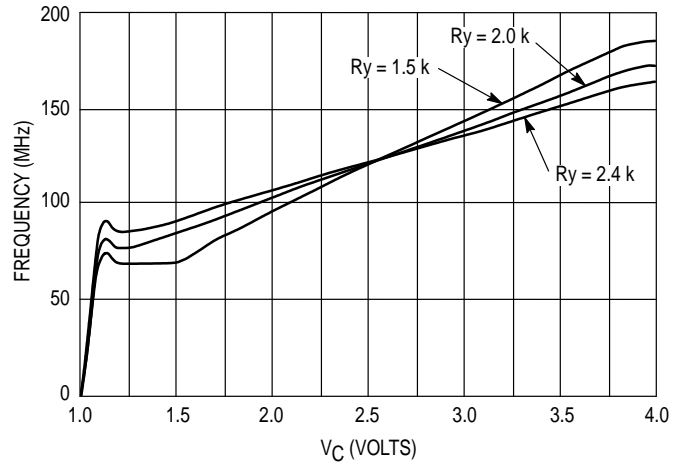


Figure 8. V_C versus Output Frequency
 (Varying T_A @ $V_{CC} = 5.0\text{ V}$; $R_x = 3.3\text{ k}\Omega$; $R_y = 2.0\text{ k}\Omega$)

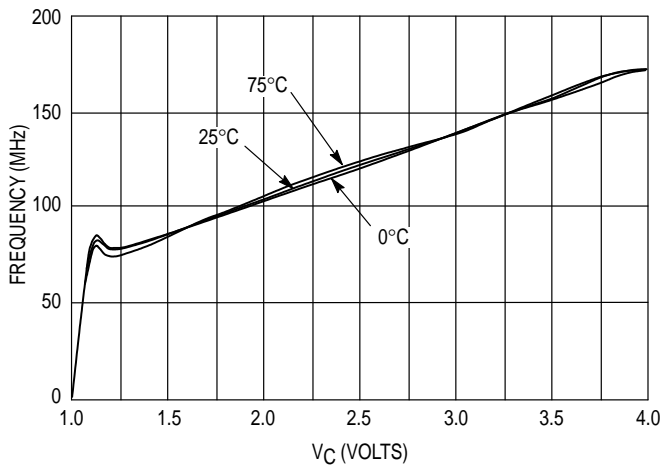
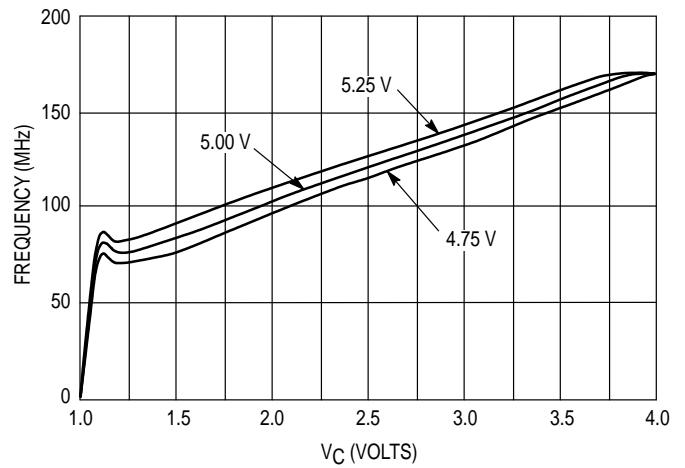


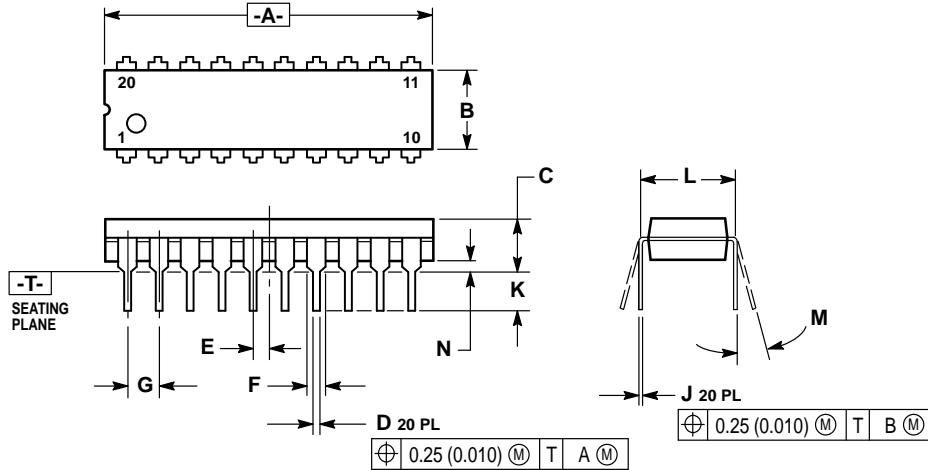
Figure 9. V_C versus Output Frequency
 (Varying V_{CC} @ $R_x = 3.3\text{ k}\Omega$; $R_y = 2.0\text{ k}\Omega$; $T_A = 25^\circ\text{C}$)



MC12101

OUTLINE DIMENSIONS

P SUFFIX
PLASTIC PACKAGE
CASE 738-03
ISSUE E



NOTES:

1. DIMENSIONING AND TOLERANCING PER ANSI Y14.5M, 1982.
2. CONTROLLING DIMENSION: INCH.
3. DIMENSION L TO CENTER OF LEAD WHEN FORMED PARALLEL.
4. DIMENSION B DOES NOT INCLUDE MOLD FLASH.

DIM	INCHES		MILLIMETERS	
	MIN	MAX	MIN	MAX
A	1.010	1.070	25.66	27.17
B	0.240	0.260	6.10	6.60
C	0.150	0.180	3.81	4.57
D	0.015	0.022	0.39	0.55
E	0.050 BSC		1.27 BSC	
F	0.050	0.070	1.27	1.77
G	0.100 BSC		2.54 BSC	
J	0.008	0.015	0.21	0.38
K	0.110	0.140	2.80	3.55
L	0.300 BSC		7.62 BSC	
M	0°	15°	0°	15°
N	0.020	0.040	0.51	1.01

Motorola reserves the right to make changes without further notice to any products herein. Motorola makes no warranty, representation or guarantee regarding the suitability of its products for any particular purpose, nor does Motorola assume any liability arising out of the application or use of any product or circuit, and specifically disclaims any and all liability, including without limitation consequential or incidental damages. "Typical" parameters which may be provided in Motorola data sheets and/or specifications can and do vary in different applications and actual performance may vary over time. All operating parameters, including "Typicals" must be validated for each customer application by customer's technical experts. Motorola does not convey any license under its patent rights nor the rights of others. Motorola products are not designed, intended, or authorized for use as components in systems intended for surgical implant into the body, or other applications intended to support or sustain life, or for any other application in which the failure of the Motorola product could create a situation where personal injury or death may occur. Should Buyer purchase or use Motorola products for any such unintended or unauthorized application, Buyer shall indemnify and hold Motorola and its officers, employees, subsidiaries, affiliates, and distributors harmless against all claims, costs, damages, and expenses, and reasonable attorney fees arising out of, directly or indirectly, any claim of personal injury or death associated with such unintended or unauthorized use, even if such claim alleges that Motorola was negligent regarding the design or manufacture of the part. Motorola and are registered trademarks of Motorola, Inc. Motorola, Inc. is an Equal Opportunity/Affirmative Action Employer.

Mfax is a trademark of Motorola, Inc.

How to reach us:

USA/EUROPE/Locations Not Listed: Motorola Literature Distribution;
 P.O. Box 5405, Denver, Colorado 80217. 1-303-675-2140 or 1-800-441-2447

JAPAN: Nippon Motorola Ltd.: SPD, Strategic Planning Office, 141,
 4-32-1 Nishi-Gotanda, Shagawa-ku, Tokyo, Japan. 03-5487-8488

Customer Focus Center: 1-800-521-6274

Mfax™: RMFAX0@email.sps.mot.com – TOUCHTONE 1-602-244-6609
 Motorola Fax Back System – US & Canada ONLY 1-800-774-1848
 – http://sps.motorola.com/mfax/

ASIA/PACIFIC: Motorola Semiconductors H.K. Ltd.; 8B Tai Ping Industrial Park,
 51 Ting Kok Road, Tai Po, N.T., Hong Kong. 852-26629298

HOME PAGE: <http://motorola.com/sps/>

