

Advance Information

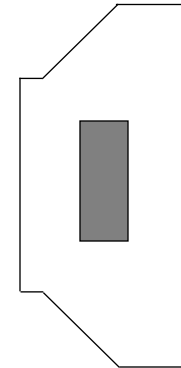
LCD Segment / Common Driver

CMOS

MC141531 is a CMOS LCD Driver which consists of 3 annunciator outputs and 137 high voltage LCD driving signals (17 common and 120 segment). It has parallel interface capability for operating with general MCU. Besides the general LCD driver features, it has on chip LCD bias voltage generator circuits such that limited external component is required during application.

- Single Supply Operation, 2.4 V - 3.5 V
- Operating Temperature Range : -30°C to 85°C
- Low Current Stand-by Mode (<500nA)
- On Chip Bias DC/DC Converter
- 8 bit Parallel Interface
- Graphic Mode Operation
- On Chip 120x17 Graphic Display Data RAM
- Master clear RAM
- 120 Segment Drivers, 17 Common Drivers
- 1/16, 1/17 Multiplex Ratio
- 1:5 bias ratio
- Re-mapping of Row and Column Drivers
- Three Stand Alone Annunciator (Static Icon) Driver Circuits
- Low Power Icon Mode Driven by Com16 in Special Driving Scheme
- Selectable LCD Drive Voltage Temperature Coefficients
- 16 level Internal Contrast Control
- External Contrast Control
- Standard TAB (Tape Automated Bonding) Package, Gold Bump Die

MC141531



MC141531T
TAB

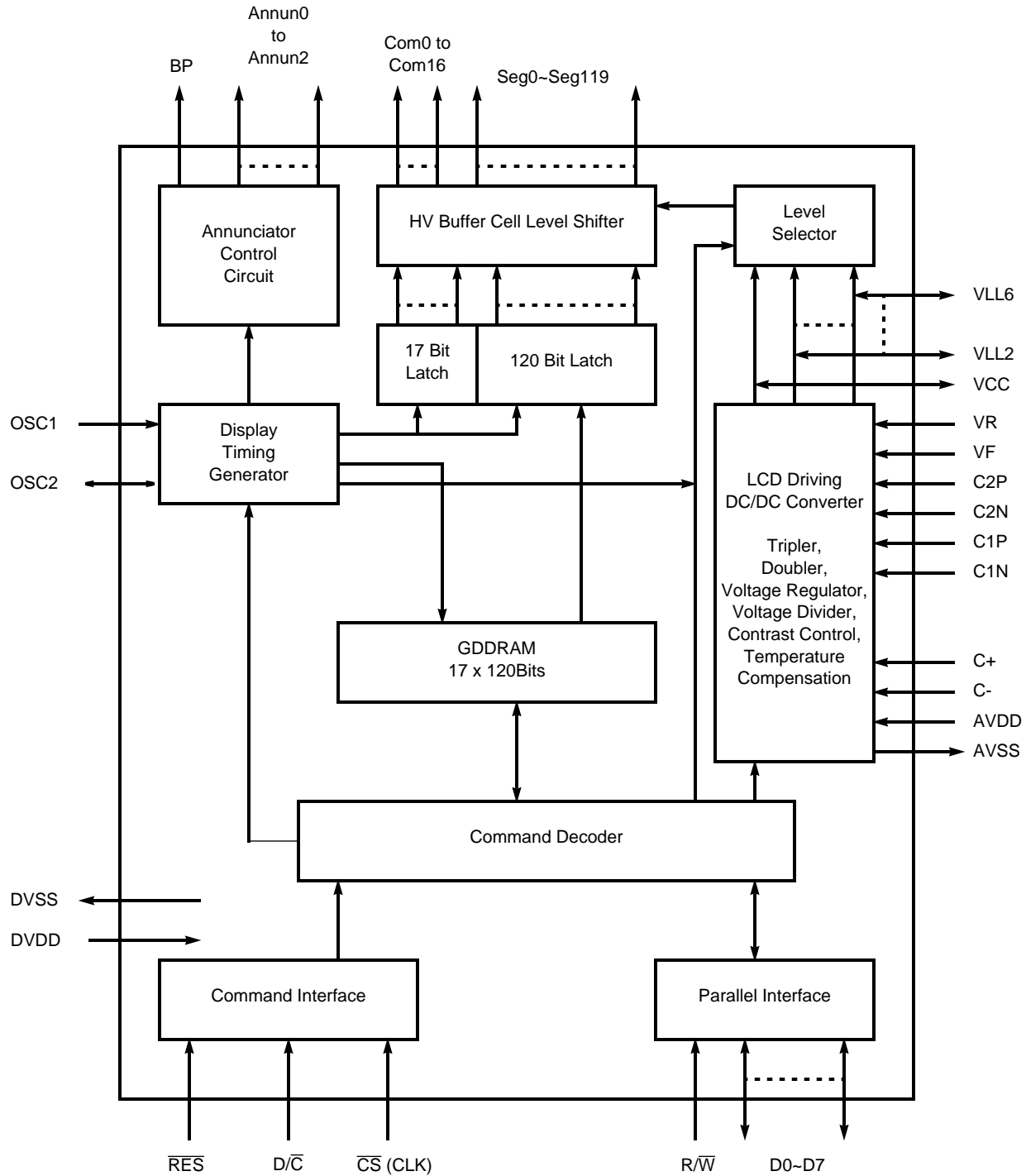
MCC141531Z
Gold Bump Die

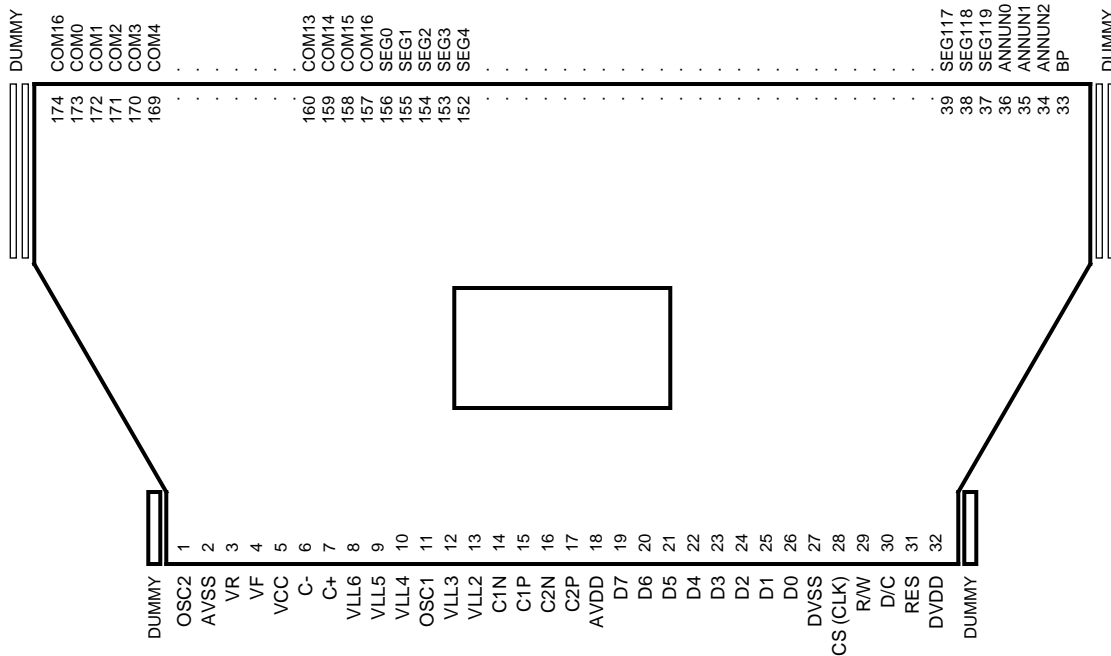
ORDERING INFORMATION

MC141531T TAB
MCC141531Z Gold Bump Die

This document contains information on a new product. Specifications and information herein are subject to change without notice.

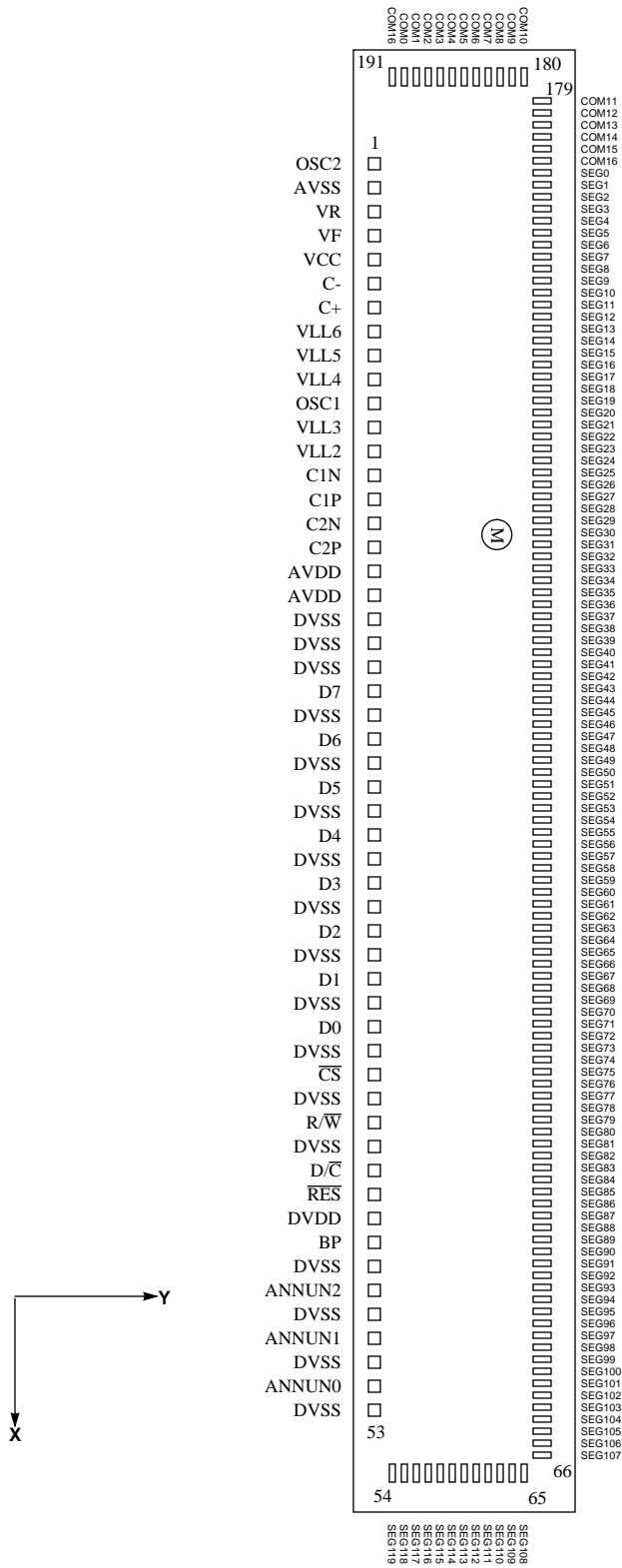
Block Diagram





**MC141531T PIN ASSIGNMENT
(COPPER VIEW)**

MC141531 Die Pin Assignment



MAXIMUM RATINGS* (Voltages Referenced to V_{SS} , $T_A=25^\circ\text{C}$)

Symbol	Parameter	Value	Unit
AV_{DD}, DV_{DD}	Supply Voltage	-0.3 to +4.0	V
V_{CC}		$V_{SS}-0.3$ to $V_{SS}+10.5$	V
V_{in}	Input Voltage	$V_{SS}-0.3$ to $V_{DD}+0.3$	V
I	Current Drain Per Pin Excluding V_{DD} and V_{SS}	25	mA
T_A	Operating Temperature	-30 to +85	$^\circ\text{C}$
T_{stg}	Storage Temperature Range	-65 to +150	$^\circ\text{C}$

* Maximum Ratings are those values beyond which damage to the device may occur. Functional operation should be restricted to the limits in the Electrical Characteristics tables or Pin Description section.

$V_{SS} = AV_{SS} = DV_{SS}$ ($DV_{SS} = V_{SS}$ of Digital circuit, $AV_{SS} = V_{SS}$ of Analogue Circuit)

$V_{DD} = AV_{DD} = DV_{DD}$ ($DV_{DD} = V_{DD}$ of Digital circuit, $AV_{DD} = V_{DD}$ of Analogue Circuit)

This device contains circuitry to protect the inputs against damage due to high static voltages or electric fields; however, it is advised that normal precautions to be taken to avoid application of any voltage higher than maximum rated voltages to this high impedance circuit. For proper operation it is recommended that V_{in} and V_{out} be constrained to the range $V_{SS} < \text{or} = (V_{in} \text{ or } V_{out}) < \text{or} = V_{DD}$. Reliability of operation is enhanced if unused input are connected to an appropriate logic voltage level (e.g., either V_{SS} or V_{DD}). Unused outputs must be left open. This device may be light sensitive. Caution should be taken to avoid exposure of this device to any light source during normal operation. This device is not radiation protected.

ELECTRICAL CHARACTERISTICS (Voltage Referenced to V_{SS} , $V_{DD}=2.4$ to 3.5V , $T_A=25^\circ\text{C}$)

Symbol	Parameter	Test Condition	Min	Typ	Max	Unit
DV_{DD} AV_{DD}	Logic Circuit Supply Voltage Range DC/DC Converter Circuit Supply Voltage Range	(Absolute value referenced to V_{SS})	2.4 2.4	3.0 -	3.5 3.5	V V
I_{AC}	Access Mode Supply Current Drain ($AV_{DD} + DV_{DD}$ Pins)	$V_{DD}=3.0\text{V}$, Internal DC/DC Converter On, Tripler Enabled, Annunciator On/Off, R/\overline{W} accessing, $T_{cyc}=1\text{MHz}$, Osc. Freq.=38.4kHz, Display On, 1/7 Mux Ratio	0	200	300	μA
I_{DP}	Display Mode Supply Current Drain ($AV_{DD} + DV_{DD}$ Pins)	$V_{DD}=3.0\text{V}$, Internal DC/DC Converter On, Tripler Enabled, Annunciator On/Off, R/W halt, Osc. Freq.=38.4kHz, Display On, 1/17Mux Ratio	0	75	165	μA
I_{SB1}	Standby Mode Supply Current Drain ($AV_{DD} + DV_{DD}$ Pins)	$V_{DD}=3.0\text{V}$, Display off, Oscillator Disabled, R/\overline{W} halt.	0	300	500	nA
I_{SB2}	Annunciator Mode Supply Current Drain ($AV_{DD} + DV_{DD}$ Pins)	$V_{DD}=3.0\text{V}$, Annunciator Mode, Internal Oscillator, Oscillator Enabled, Display Off, R/\overline{W} halt, Int Osc. Freq.=38.4kHz.	0	5	10	μA
I_{SB3}	Icon Mode Supply Current Drain ($AV_{DD} + DV_{DD}$ Pins)	$V_{DD}=3.0\text{V}$, Icon Mode, Internal Oscillator, Oscillator Enabled, Display Off, R/\overline{W} halt, Ext Osc. Freq.=38.4kHz.	0	-	25	μA
V_{CC1}	LCD Driving DC/DC Converter Output (V_{CC} Pin)	Display On, Internal DC/DC Converter Enabled, Tripler Enabled, Osc. Freq.=38.4KHz, Regulator Enabled, Divider Enabled.	-	$3*AV_{DD}$	10.5	V
V_{CC2}	LCD Driving DC/DC Converter Output (V_{CC} Pin)	Display On, Internal DC/DC Converter Enabled, Doubler Enabled, Osc. Freq.=38.4KHz, Regulator Enabled, Divider Enabled.	-	$2*AV_{DD}$	7	V
V_{LCD}	LCD Driving Voltage Input (V_{CC} Pin)	Internal DC/DC Converter Disabled.	5	-	10.5	V

ELECTRICAL CHARACTERISTICS (Voltage Referenced to V_{SS} , $V_{DD}=2.4$ to $3.5V$, $T_A=25^\circ C$)

Symbol	Parameter	Test Condition	Min	Typ	Max	Unit
V_{IH1}	Input high voltage (\overline{RES} , OSC2, \overline{CS} , D0-D7, R/\overline{W} , D/\overline{C} , OSC1)		$0.8 \cdot V_{DD}$	-	V_{DD}	V
V_{IL1}	Input Low voltage (\overline{RES} , OSC2, \overline{CS} , D0-D7, R/\overline{W} , D/\overline{C} , OSC1)		0	-	$0.2 \cdot V_{DD}$	V
V_{LL6} V_{LL5} V_{LL4} V_{LL3} V_{LL2}	LCD Display Voltage Output (V_{LL6} , V_{LL5} , V_{LL4} , V_{LL3} , V_{LL2} Pins)	Voltage Divider Enabled	-	V_R	-	V
			-	$0.8 \cdot V_R$	-	V
			-	$0.6 \cdot V_R$	-	V
			-	$0.4 \cdot V_R$	-	V
			-	$0.2 \cdot V_R$	-	V
V_{LL6} V_{LL5} V_{LL4} V_{LL3} V_{LL2}	LCD Display Voltage Input (V_{LL6} , V_{LL5} , V_{LL4} , V_{LL3} , V_{LL2} Pins)	External DC/DC Converter, Voltage Divider Disable	5 0 0 0 0	- - - - -	V_{CC} V_{LL6} V_{LL5} V_{LL4} V_{LL3}	V V V V V
I_{OH}	Output High Current Source (D0-D7, Annun0-2, BP, OSC2)	$V_{out}=V_{DD}-0.4V$	50	-	-	μA
I_{OL}	Output Low Current Drain (D0-D7, Annun0-2, BP, OSC2)	$V_{out}=0.4V$	-	-	-50	μA
I_{OZ}	Output Tri-state Current Drain Source (D0-D7, OSC2)		-1	-	1	μA
I_{IL}/I_{IH}	Input Current (\overline{RES} , OSC2, \overline{CS} , D0-D7, R/\overline{W} , D/\overline{C} , OSC1)		-1	-	1	μA
R_{on}	Channel resistance between LCD driving signal pins (SEG and COM) and driving voltage input pins (V_{LL2} to V_{LL6})	During Display on, 0.1V apply between two terminals, VCC within operating voltage range	-	-	10	k Ω
V_{SB}	Memory Retention Voltage (DV_{DD})	Standby mode, retain all internal configuration and RAM data	2	-	-	V
C_{IN}	Input Capacitance (OSC1, OSC2, all logic pins)		-	5	7.5	pF
PTC0	Temperature Coefficient Compensation* Flat Temperature Coefficient	TC1=0, TC2=0, Voltage Regulator Disabled	-	0.0	-	%
PTC1	Temperature Coefficient 1*	TC1=0, TC2=1, Voltage Regulator Enabled	-	-0.18	-	%
PTC2	Temperature Coefficient 2*	TC1=1, TC2=0, Voltage Regulator Enabled	-	-0.22	-	%
PTC3	Temperature Coefficient 3*	TC1=1, TC2=1, Voltage Regulator Enabled	-	-0.35	-	%
V_{CN}	Internal Contrast Control (V_R Output Voltage)	Regulator Enabled, Internal Contrast control Enabled. (16 Voltage Levels Controlled by Software. Each level is typically 2.25% of the Regulator Output Voltage.)	-	± 18	-	%

*The formula for the temperature coefficient (TC) is:

$$TC(\%) = \frac{VR \text{ at } 50^\circ C - VR \text{ at } 0^\circ C}{50^\circ C - 0^\circ C} \times \frac{1}{VR \text{ at } 25^\circ C} \times 100\%$$

AC ELECTRICAL CHARACTERISTICS ($T_A=25^\circ\text{C}$, Voltage referenced to V_{SS} , $AV_{DD}=DV_{DD}=3V$)

Symbol	Parameter	Test Condition	Min	Typ	Max	Unit
F_{OSC}	Oscillation Frequency of Display timing generator	60Hz Frame Frequency Either External Clock Input or Internal Oscillator Enabled	-	38.4	-	kHz
F_{ANN}	Backplane Frequency of Annunciator (Annun0-3, BP)	50% duty cycle Annunciator on, $F_{osc}=38.4\text{KHz}$	-	30	-	Hz
F_{FRM}	Frame Frequency	Graphic Display Mode, Timing generator freq. = 38.4kHz Icon Mode, Timing generator freq. = 38.4kHz	-	60 TBD	-	Hz
OSC	Internal Oscillation Frequency with different value of feedback resistor	Internal Oscillator Enabled, V_{DD} within operation range	See Figure 1 for the relationship			

Note: $F_{FRM} = F_{OSC} / 640$
 $F_{ANN} = F_{OSC} / 1280$

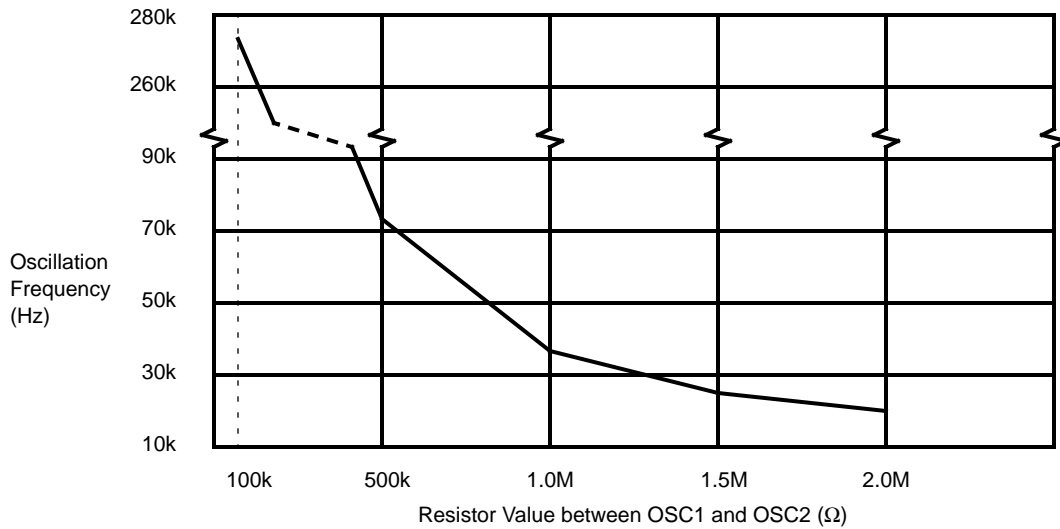


Figure 1. Internal Oscillator Frequency Relationship with External Resistor Value

TABLE 2a. Parallel Timing Characteristics (Write Cycle) ($T_A = -30$ to 85°C , $DV_{DD} = 2.4$ to 3.5V , $V_{SS} = 0\text{V}$)

Symbol	Parameter	Min	Typ	Max	Unit
t_{cycle}	Enable Cycle Time	600	-	-	ns
t_{EH}	Enable Pulse Width	290	-	-	ns
t_{AS}	Address Setup Time	5	-	-	ns
t_{DS}	Data Setup Time	290	-	-	ns
t_{DH}	Data Hold Time	20	-	-	ns
t_{AH}	Address Hold Time	20	-	-	ns

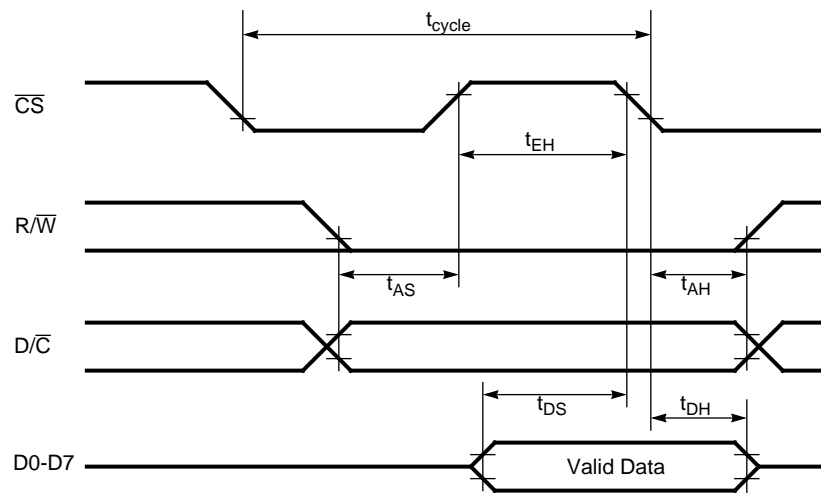


Figure 3. Timing Characteristics (Write Cycle)

TABLE 2b. Parallel Timing Characteristics (Read Cycle) ($T_A=-30$ to 85°C , $DV_{DD}=2.4$ to 3.5V , $V_{SS}=0\text{V}$)

Symbol	Parameter	Min	Typ	Max	Unit
t_{cycle}	Enable Cycle Time	600	-	-	ns
t_{EH}	Enable Pulse Width	290	-	-	ns
t_{AS}	Address Setup Time	5	-	-	ns
t_{DS}	Data Setup Time	-	-	290	ns
t_{DH}	Data Hold Time	5	-	-	ns
t_{AH}	Address Hold Time	20	-	-	ns

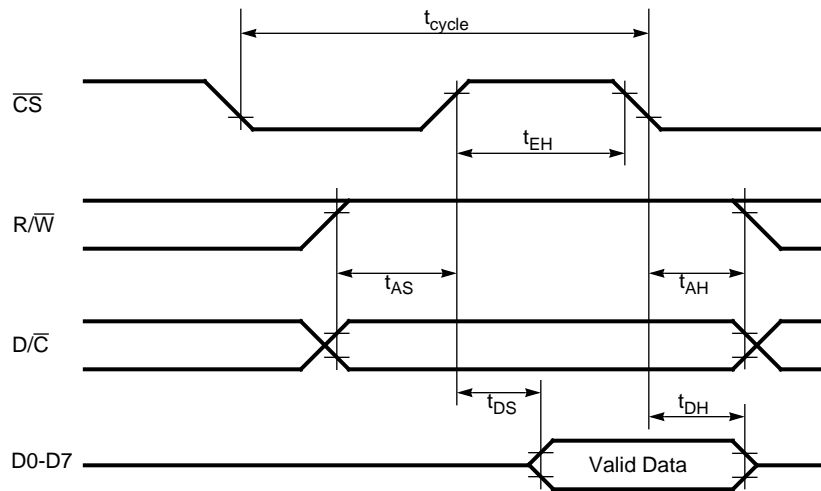


Figure 4. Timing Characteristics (Read Cycle)

PIN DESCRIPTIONS

D/C (Data / Command)

This input pin tells the LCD driver the input at D0-D7 is data or command. Input High for data while input Low for command.

C \bar{S} (CLK) (Input Clock)

This pin is normal Low clock input. Data on D0-D7 are latched at the falling edge of C \bar{S} .

R $\bar{E}S$ (Reset)

An active Low pulse to this pin resets the internal status of the driver (same as power on reset). The minimum pulse width is 10 μ s.

D0-D7 (Data)

This bi-directional bus is used for data / command transferring.

R \bar{W} (Read / Write)

This is an input pin. To read the display data RAM or the internal status (Busy / Idle), pull this pin High. The R \bar{W} input Low indicates a write operation to the display data RAM or to the internal setup registers.

OSC1 (Oscillator Input)

For internal oscillator mode, this is an input for the internal low power RC oscillator circuit. In this mode, an external resistor of certain value should be connected between the OSC1 and OSC2 pins for a range of internal operating frequencies (refer to Figure 1). For external oscillator mode, OSC1 should be left open.

OSC2 (Oscillator Output / External Oscillator Input)

For internal oscillator mode, this is an output for the internal low power RC oscillator circuit. For external oscillator mode, OSC2 will be an input pin for external clock and no external resistor is needed.

VLL6 - VLL2

Group of voltage level pins for driving the LCD panel. They can either be connected to external driving circuit for external bias supply or connected internally to built-in divider circuit if internal divider is enabled. For Internal DC/DC Converter enabled, a 0.1 μ F capacitor to AV $\bar{S}S$ is required on each pin.

C1N and C1P

If Internal DC/DC Converter is enabled, a 0.1 μ F capacitor is required to connect these two pins.

C2N and C2P

If Internal DC/DC Converter and Tripler are enabled, a 0.1 μ F capacitor is required between these two pins. Otherwise, leave these pins open.

C+ and C-

If internal divider circuit is enabled, a 0.1 μ F capacitor is required to connect between these two pins.

VR and VF

This is a feedback path for the gain control (external contrast control) of VLL1 to VLL6. For adjusting the LCD driving voltage, it requires a feedback resistor placed between VR and VF, a gain control resistor placed between VF and AV $\bar{S}S$, a 10 μ F capacitor placed between VR and AV $\bar{S}S$. (Refer to the Application Circuit)

COM0-COM16 (Row Drivers)

These pins provide the row driving signal to LCD panel. Output is 0V during display off. COM16 also serves as the common driving signal in the icon mode.

SEG0-SEG119 (Column Drivers)

These 120 pins provide LCD column driving signal to LCD panel. They output 0V during display off.

BP (Annunciator Backplane)

This pin combines with Annun0-Annun2 pins to form annunciator driving part. When the annunciator circuit is enabled, it will output square wave of 30 Hz. It outputs low when oscillator is disabled.

Annun0 - Annun2 (Annunciator Frontplanes)

These pins are three independent annunciator driving outputs. The enabled annunciator outputs from its corresponding pin a 30Hz square wave which is 180 degrees out of phase with BP. Disabled annunciator output from its corresponding pin a square wave in-phase with BP. When all annunciators are disabled, all these pins output 0V.

AVDD and AVSS

AVDD is the positive supply to the LCD bias Internal DC/DC Converter. AVSS is ground.

VCC

For using the Internal DC/DC Converter, a 0.1 μ F capacitor from this pin to AVSS is required. It can also be an external bias input pin if Internal DC/DC Converter is not used. Power is supplied to the LCD Driving Level Selector and HV Buffer Cell with this pin. Normally, this pin is not intended to be a power supply to other component.

DVDD and DVSS

Power is supplied to the digital control circuit of the driver using these two pins. DVDD is power and DVSS is ground.

OPERATION OF LIQUID CRYSTAL DISPLAY DRIVER

Description of Block Diagram Module

Command Decoder and Command Interface

This module determines whether the input data is interpreted as data or command. Data is directed to this module based upon the input of the D/C pin. If D/C high, data is written to Graphic Display Data RAM (GDDDRAM). D/C low indicates that the input at D0-D7 is interpreted as a Command.

Reset is of same function as Power ON Reset (POR). Once RES received the reset pulse, all internal circuitry will back to its initial status. Refer to Command Description section for more information.

MPU Parallel Interface

The parallel interface consists of 8 bi-directional data lines (D0-D7), R/W, and the CS. The R/W input High indicates a read operation from the Graphic Display Data RAM (GDDDRAM). R/W input Low indicates a write operation to Display Data RAM or Internal Command Registers depending on the status of D/C input. The CS input serves as data latch signal (clock). Refer to AC operation conditions and characteristics section for Parallel Interface Timing Description.

Graphic Display Data RAM (GDDDRAM)

The GDDDRAM is a bit mapped static RAM holding the bit pattern to be displayed. The size of the RAM is determined by number of row times the number of column (120x17 = 2040 bits). Figure 5 is a description of the GDDDRAM address map. For mechanical flexibility, re-mapping on both Segment and Common outputs are provided.

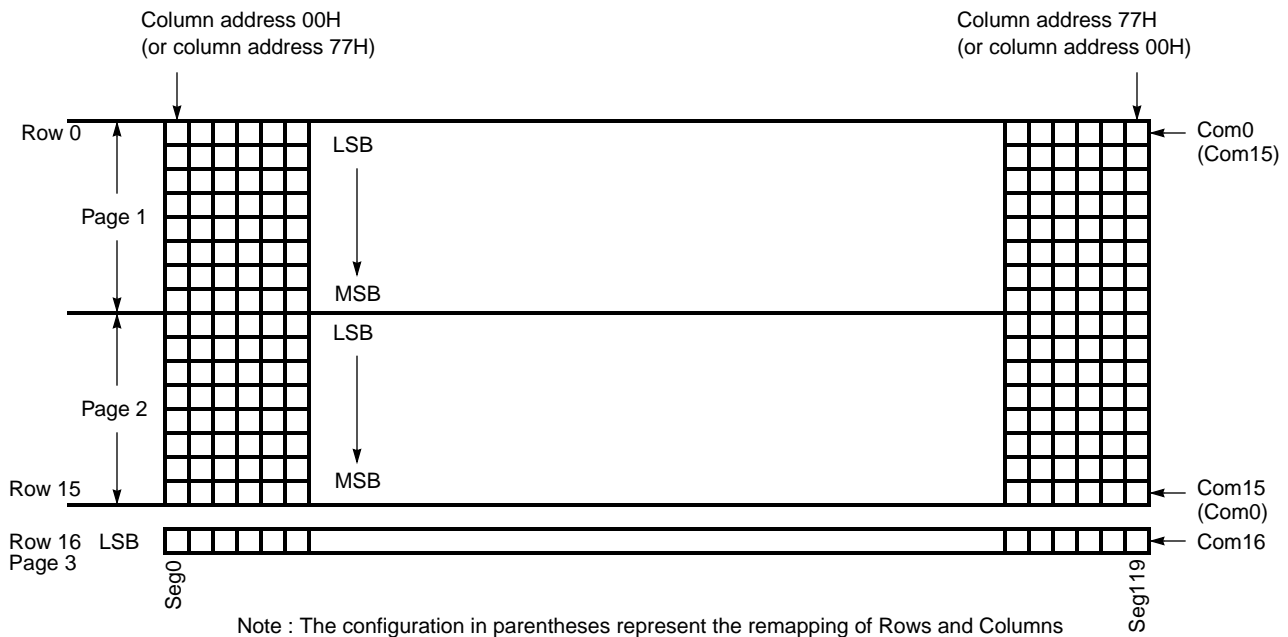


Figure 5. Graphic Display Data RAM (GDDDRAM) Address Map

Display Timing Generator

This module is an on chip low power RC oscillator circuitry (Figure 6). The oscillator frequency can be selected in the range of 15kHz to 50kHz by external resistor. One can enable the circuitry by software command. For external clock provided, feed the clock to OSC2 and leave OSC1 open.

Annunciator Control Circuit

The LCD waveform of the 3 annunciators and BP are generated by this module. The 3 independent annunciators are enabled by software command. Annunciator is also controlled by oscillator circuit. Before turning the annunciators on, the oscillator must be on in advance. Annunciator output waveform shown in Figure 7.

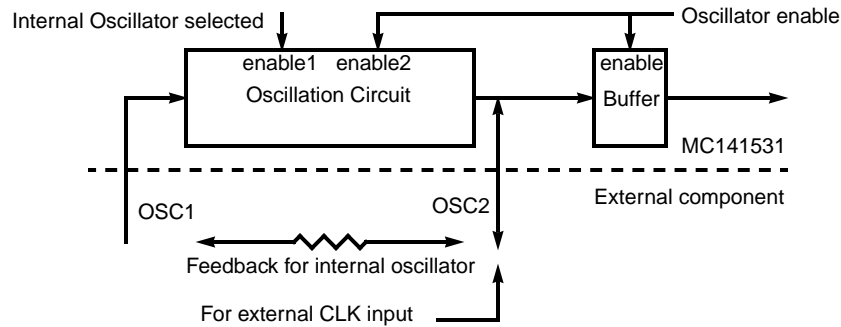


Figure 6. Oscillator Circuitry

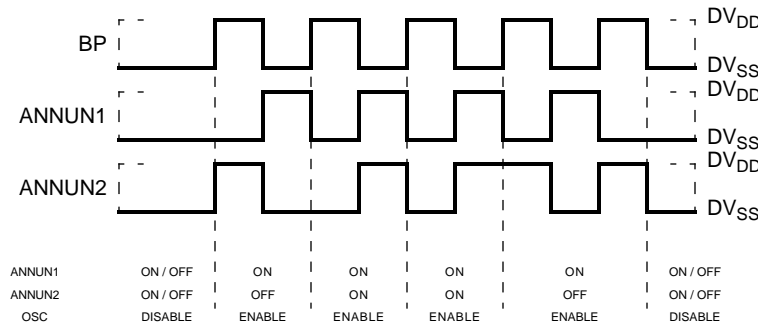


Figure 7. Annunciators and BP Display Waveform

LCD Driving Internal DC/DC Converter and Regulator

This module generates the LCD voltage needed for display output. It takes a single supply input and generate necessary bias voltages. It consists of :

1. Voltage Doubler and Voltage Tripler
To generate the Vcc voltage. Either Doubler or Tripler can be enabled.
2. Voltage Regulator
Feedback gain control for initial LCD voltage. It can also be used with external contrast control.
3. Voltage Divider
Divide the LCD display voltage ($V_{LL2}-V_{LL6}$) from the regulator output. This is a low power consumption circuit which can save the most display current compare with traditional resistor ladder method.
4. Self adjust temperature compensation circuitry
Provide 4 different compensation grade selections to satisfy the various liquid crystal temperature grades. The grading can be selected by software control.
5. Contrast Control Block
Software control of 16 voltage levels of LCD voltage.
All blocks can be individually turned off if external DC/DC Converter is employed.

17 Bit Latch / 120 Bit Latch

A 137 bit long register which carry the display signal information. First 17 bits are Common driving signals and other 120 bits are Segment driving signals. Data will be input to the HV-buffer Cell for bumping up to the required level.

Level Selector

Level Selector is a control of the display synchronization. Display voltage can be separated into two sets and used with different cycles. Synchronization is important since it selects the required LCD voltage level to the HV Buffer Cell for output signal voltage pump.

HV Buffer Cell (Level Shifter)

HV Buffer Cell works as a level shifter which translates the low voltage output signal to the required driving voltage. The output is shifted out with an internal FRM clock which comes from the Display Timing Generator. The voltage levels are given by the level selector which is synchronized with the internal M signal.

LCD Panel Driving Waveform

The following is an example of how the Common and Segment drivers may be connected to a LCD panel. The waveforms shown in Figure 8a, 8b and 8c illustrate the desired multiplex scheme.

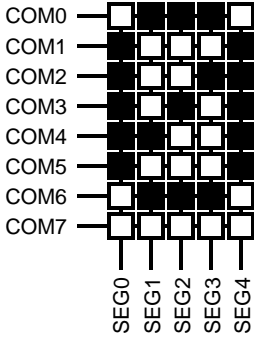


Figure 8a. LCD Display Example “0”

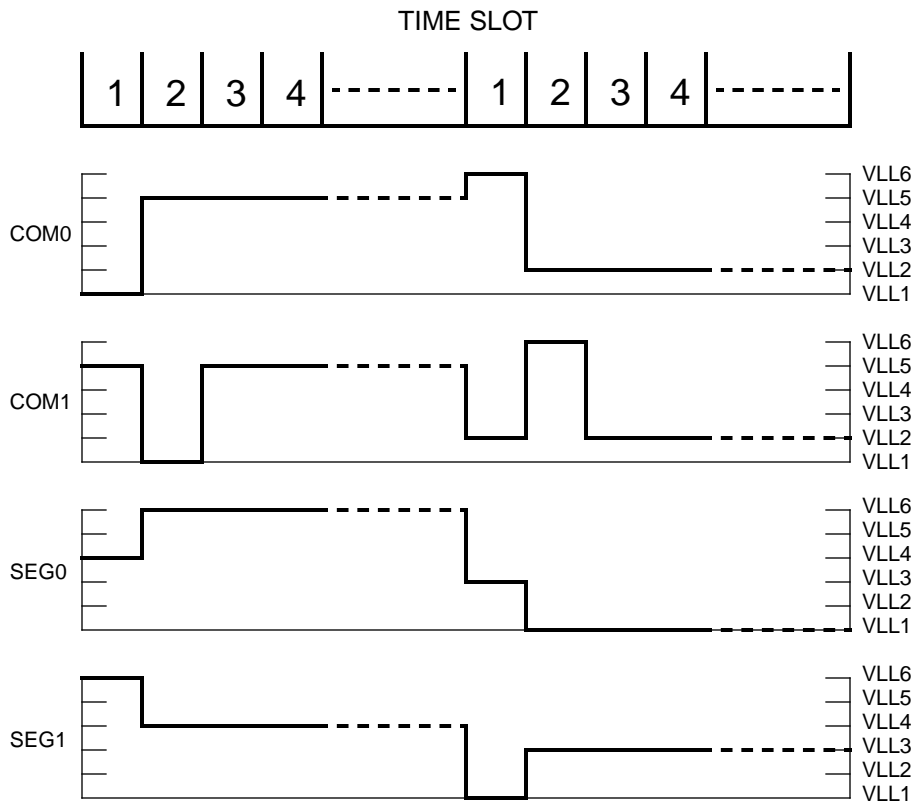


Figure 8b. LCD Driving Signal from MC141531

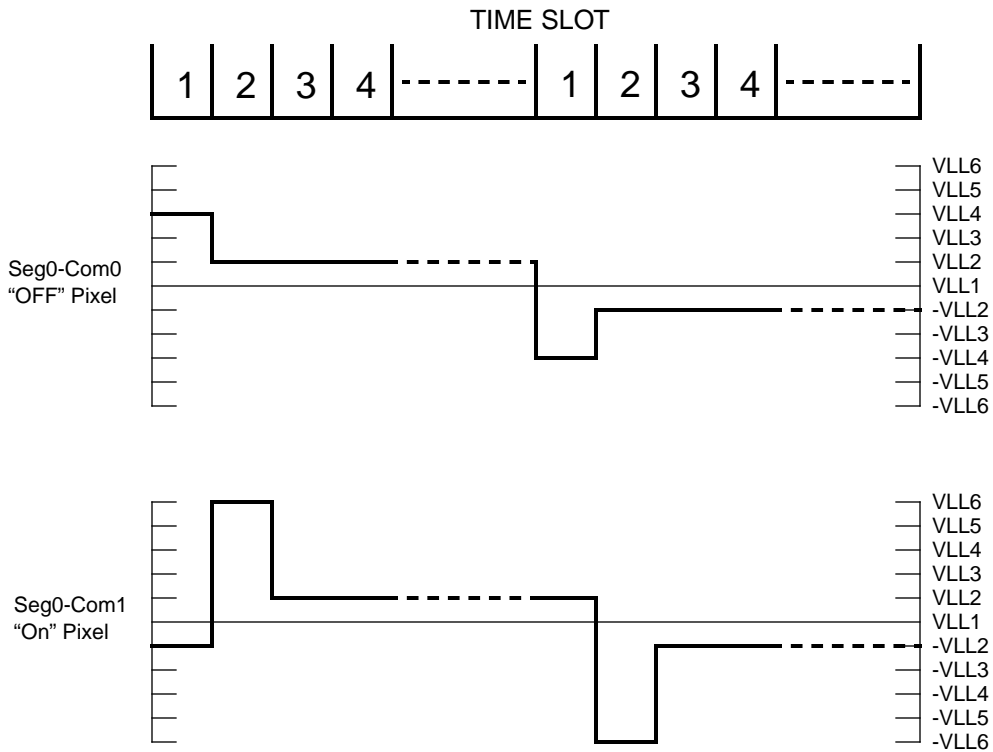


Figure 8c. Effective LCD waveform on LCD pixel

Command Description

Set Display On/Off (Display Mode / Stand-by Mode)

The Display On command turns the LCD Common and Segment outputs on and has no effect to the annunciator output. This command starts the conversion of data in GDDRAM to necessary waveforms on the Common and Segment driving outputs. The on-chip bias generator is also turned on by this command. (Note: "Set Oscillator On" command should be sent before "Set Display On")

The Display Off command turn the display off and the states of the LCD driver are as follow during display off:

1. The Common and Segment outputs are fixed at V_{LL1} (V_{SS}).
2. The bias Internal DC/DC Converter is turned off.
3. The RAM and content of all registers are retained.
4. IC will accept new commands and data.

The status of the Annunciators and Oscillator are not affected by this command.

Note: DON'T USE ICON DISPLAY MODE DURING DISPLAY OFF.

Set GDDRAM Column Address

This command positions the address pointer on a column location. The address can be set to location 00H-77H (120 columns). The column address will be increased automatically after a read or write operation. Refer to "Address Increment Table" and command "Set GDDRAM Page Address" for further information.

Set GDDRAM Page Address

This command positions the row address to 1 of 3 possible positions in GDDRAM. Refer to figure 5.

Master Clear GDDRAM

This command is to clear the content of page 1 and 2 of the Display Data RAM to zero. Issue this command followed by a dummy write command.

Master Clear Icons

This command is used to clear the data in page 3 of GDDRAM which stores the icon line data. Before using this command, set the page address to Page 3 by the command "Set GDDRAM Page Address". A dummy write data is also needed after this "Master Clear Icons" command to make the clear icon action effective.

Set Display Mode

This command switch the driver to full display mode or low power icon mode. In low power icon mode, only icons (driven by COM16) and annunciators are displayed, and the DC-DC converter, the Internal DC/DC Converter and the regulator are disabled. Do select 1/17 Mux ratio before using the low power icon mode.

Note: DON'T USE ICON DISPLAY MODE DURING DISPLAY OFF.

Set Multiplex Ratio

In normal display mode, the multiplex ratio could be set to be 1/16 or 1/17. For 1/16 Mux Ratio, COM16 signal should not be connected to the panel.

Set Icon Mode A/B

In Icon mode A, on-pixels are stressed by a voltage with root-mean-square value of $0.87xV_{DD}$, whereas off-pixels by $0.5xV_{DD}$. In icon mode B, on-pixels are stressed by a voltage with root-mean-square value of $0.71xV_{DD}$, whereas off-pixels by $0.41xV_{DD}$. This command is used to control the contrast of the icon line (Com16) under icon mode

Set Vertical Scroll Value

This command maps the selected GDDRAM row (00H-0FH) to Com0. With scroll value equals to 0, Row 0 of GDDRAM is mapped to Com0 and Row 1 through Row 15 are mapped to Com1 through Com15 respectively. With scroll value equal to 1, Row 1 of GDDRAM is mapped to Com0, then Row 2 through Row 15 will be mapped to Com1 through Com14 respectively and Row 0 will be mapped to Com15.

Save / Restore Column Address

With bit option = 1 in this command, the Save / Restore Column Address command saves a copy of the Column Address of GDDRAM. With a bit option = 0, this command restores the copy obtained from the previous execution of saving column address. This instruction is very useful for writing full graphics characters that are larger than 8 pixels vertically.

Set Column Mapping

This instruction selects the mapping of GDDRAM to Segment drivers for mechanical flexibility. There are 2 mappings to select:

1. Column 0 - Column 119 of GDDRAM mapped to Seg0-Seg119 respectively;
2. Column 0 - Column 119 of GDDRAM mapped to Seg119-Seg0 respectively.

Detail information please refer to section "Display Output Description".

Set Row Mapping

This command selects the mapping of GDDRAM to Common Drivers for mechanical flexibility. There are 2 mappings to select:

1. Row 0 - Row 15 of GDDRAM to Com0 - Com15 respectively;
2. Row 0 - Row 15 of GDDRAM to Com15 - Com0 respectively.

Output of Row 16 (Com16) will not be changed by this command. See section "Display Output Description" for related information.

Set Annunciator Control Signals

This command is used to control the active states of the 3 stand alone annunciator drivers.

Set Oscillator Enable / Disable

This command is used to either turn on or off the oscillator. For using internal or external oscillator, this command should be executed. The setting for this command is not affected by command "Set Display On/Off" and "Set Annunciator Control Signal". See command "Set Internal / External Oscillator" for more information

Set Internal / External Oscillator

This command is used to select either internal or external oscillator. When internal oscillator is selected, feedback resistor between OSC1 and OSC2 is needed. For external oscillation circuit, feed clock input signal to OSC2 and leave OSC1 open.

Set Internal DC/DC Converter On/Off

Use this command to select the Internal DC/DC Converter to generate the V_{CC} from AV_{DD} . Disable the Internal DC/DC Converter if external V_{CC} is provided.

Set Voltage Doubler / Tripler

Use this command to choose Doubler or Tripler when the Internal DC/DC Converter is enabled.

Set Internal Regulator On/Off

Choose bit option 0 to disable the Internal Regulator. Choose bit option 1 to enable Internal Regulator which consists of the internal contrast control and temperature compensation circuits.

Set Internal Voltage Divider On/Off

If the Internal Voltage Divider is disabled, external bias can be used for V_{LL6} to V_{LL2} . If the Internal Voltage Divider is enabled, the internal circuit will generate the 1:5 bias driving voltage.

Set Internal Contrast Control On/Off

This command is used to turn on or off the internal control of delta voltage of the bias voltages. With bit option = 1, the software selection for delta bias voltage control is enabled. With bit option = 0, internal contrast control is disabled.

Increase / Decrease Contrast Level

If the internal contrast control is enabled, this command is used to increase or decrease the contrast level within the 16 contrast levels. The contrast level starts from lowest value after POR.

Set Contrast Level

This command is to select one of the 16 contrast levels when internal contrast control circuitry is in use. After power-on reset, the contrast level is the lowest.

Set Temperature Coefficient

This command can select 4 different LCD driving voltage temperature coefficients to match various liquid crystal temperature grades. Those temperature coefficients are specified in Electrical Characteristics Tables.

COMMAND TABLE

Bit Pattern	Command	Comment
000000X ₁ X ₀	Set GDDRAM Page Address	Set GDDRAM Page Address using X ₁ X ₀ as address bits. X ₁ X ₀ =00 : page 1 (POR) X ₁ X ₀ =01 : page 2 X ₁ X ₀ =10 : page 3
0001X ₃ X ₂ X ₁ X ₀	Set Contrast Level	With R/W pin input low, set one of the 16 available values to the internal contrast register, using X ₃ X ₂ X ₁ X ₀ as data bits. The contrast register is reset to 0000 during POR.
0010000X ₀	Set Voltage Doubler / Tripler	X ₀ =0 : Set Voltage Tripler (POR) X ₀ =1 : Set Voltage Doubler
0010001X ₀	Set Column Mapping	X ₀ =0 : Col0 to Seg0 (POR) X ₀ =1 : Col0 to Seg119
0010010X ₀	Set Row Mapping	X ₀ =0 : Row0 to Com0 X ₀ =1 : Row0 to Com15
0010100X ₀	Set Display On/Off	X ₀ =0 : display off (POR) X ₀ =1 : display on
0010101X ₀	Set Internal DC/DC Converter On/Off	X ₀ =0 : Internal DC/DC Converter off(POR) X ₀ =1 : Internal DC/DC Converter on
0010110X ₀	Set Internal Regulator On/Off	X ₀ =0 : Internal Regulator off(POR) X ₀ =1 : Internal Regulator on When application uses a supply with built-in temperature compensation, the regulator should be disabled.
0010111X ₀	Set Internal Voltage Divider On/Off	X ₀ =0 : Internal Voltage Divider off (POR) X ₀ =1 : Internal Voltage Divider on When an external bias network is preferred, the voltage divider should be disabled.
0011000X ₀	Set Internal Contrast Control On/Off	X ₀ =0 : Internal Contrast Control off (POR) X ₀ =1 : Internal Contrast Control on Internal contrast circuits can be disabled if external contrast circuits is preferred.
0011001X ₀	Set Display Mode	X ₀ =0 : normal display mode (1/16 or 1/17 mux) (POR) X ₀ =1 : low power icon display mode
0011010X ₀	Save/Restore GDDRAM Column Address	X ₀ =0 : restore address X ₀ =1 : save address
00110110	Master Clear GDDRAM	Master clear page 1 and 2 of GDDRAM
00110111	Master Clear of Icons	Master Clear of icon line (Com16)
0011101X ₀	Reserved.	X ₀ =0: normal operation (POR) X ₀ =1: test mode (Note: Make sure to set X ₀ =0 during application)

Bit Pattern	Command	Comment
0011110X ₀	Set Multiplex Ratio	X ₀ =0 : 1/16 Mux ratio (POR) X ₀ =1 : 1/17 Mux ratio
0011111X ₀	Set Icon Mode A/B	X ₀ =0 : icon mode A (POR) X ₀ =1 : icon mode B
0100X ₃ X ₂ X ₁ X ₀	Set Vertical Scroll Value	Use X ₃ X ₂ X ₁ X ₀ as number of lines to scroll. Scroll value = 0 upon POR
01100A ₁ A ₀ X ₀	Set Annunciator Control Signals	A ₁ A ₀ =00 : select annunciator 1 (POR) A ₁ A ₀ =01 : select annunciator 2 A ₁ A ₀ =10 : select annunciator 3 X ₀ =0 : turn selected annunciator off (POR) X ₀ =1 : turn selected annunciator on
01101000	Reserved	
011011X ₁ X ₀	Set Temperature Coefficient	X ₁ X ₀ = 00 : 0.00% (POR) X ₁ X ₀ = 01 : -0.18% X ₁ X ₀ = 10 : -0.22% X ₁ X ₀ = 11 : -0.35%
0111000X ₀	Increase / Decrease Contrast Value	X ₀ =0 : Decrease by one X ₀ =1 : Increase by one (Note: increment/decrement wraps round among the 16 contrast levels. Start at the lowest level when POR.)
0111011X ₀	Reserved	X ₀ =0: normal operation (POR) X ₀ =1: test mode select (Note: Make sure to set X ₀ =0 during application)
0111101X ₀	Set External / Internal Oscillator	X ₀ =0: External oscillator (POR) X ₀ =1: Internal oscillator. For internal oscillator place a resistor between OSC1 and OSC2. For external oscillator mode, feed clock input to OSC2.
0111111X ₀	Set Oscillator Disable / Enable	X ₀ =0: oscillator master disable (POR) X ₀ =1: oscillator master enable. This is the master control for oscillator circuitry. This command should be issued after the "External / Internal Oscillator" command.
1X ₆ X ₅ X ₄ X ₃ X ₂ X ₁ X ₀	Set GDDRAM Column Address	Set GDDRAM Column Address. Use X ₆ X ₅ X ₄ X ₃ X ₂ X ₁ X ₀ as address bits.

Data Read / Write

To read data from the GDDRAM, input High to $\overline{R/W}$ pin and $\overline{D/C}$ pin. Data is valid at the falling edge of \overline{CS} . And the GDDRAM column address pointer will be increased by one automatically.

To write data to the GDDRAM, input Low to $\overline{R/W}$ pin and High to $\overline{D/C}$ pin. Data is latched at the falling edge of \overline{CS} . And the GDDRAM column address pointer will be increased by one automatically.

No auto address pointer increment will be performed for the Dummy Write Data after Master Clear GDDRAM. (Refer to the "Commands Required for R/W Actions on RAM" Table)

Address Increment Table (Automatic)

D/C	R/W	Comment	Address Increment	Remarks
0	0	Write Command	No	
0	1	Read Command	No (invalid mode)	*1
1	0	Write Data	Yes	*2
1	1	Read Data	Yes	

Address Increment is done automatically data read write. The column address pointer of GDDRAM^{*3} is affected.

Remarks : *1. Only data is read from RAM.

*2. If write data is issued after Command Clear RAM, Address increase is not applied.

*3. Column Address will be wrapped round when overflow.

Power Up Sequence (Commands Required)

Command Required	POR Status	Remarks
Set External / Internal Oscillator	External	*1
Set Voltage Tripler / Doubler	Tripler	*1
Internal DC/DC Converter On	Off	*1
Set Internal Regulator On	Off	*1
Set Temperature Coefficient	TC=0%	*1, *3
Set Internal Contrast On	Off	*1, *3
Set Contrast Level	Contrast Level = 0	*1, *2, *3
Set Internal Voltage Divider On	Off	*1
Set Column Mapping	Seg. 0 = Col. 0	*1
Set Row Mapping	Com. 0 = Row 0	*1
Set Vertical Scroll Value	Scroll Value = 0	*1
Set Oscillator Enable	Disable	
Set Annunciator Control Signals	Annunciators all off	*1
Master Clear GDDRAM	Random	
Dummy Write Data		
Set Display On	Off	

Remarks :

*1 -- Required only if desired status differ from POR.

*2 -- Effective only if Internal Contrast Control is enabled.

*3 -- Effective only if Regulator is enabled.

Commands Required for Display Mode Setup

Display Mode	Commands Required	
Normal Display Mode	Set External / Internal Oscillator Set Oscillator Enable, Set Display On.	(0111101X ₀)* (01111111)* (00101001)*
Icon Display Mode	Set Internal Oscillator Set Oscillator Enable, Set Display Mode to Icon Display Mode Set Display On.	(01111011)* (01111111)* (00110011)* (00101001)*
Annunciator Display	Set External / Internal Oscillator Set Oscillator Enable, Set Annunciator On/Off.	(0111101X ₀)* (01111111)* (01100A ₁ A ₀ X ₀)*
Standby Mode	Set Display Off, Set Oscillator Disable.	(00101000)* (01111110)*

Other Related Command with Display Mode: Set Column Mapping, Set Row Mapping, Set Vertical Scroll Value.

Commands Related to Internal DC/DC Converter:

Set Oscillator Disable / Enable, Set Internal Regulator On/Off, Set Temperature Coefficient, Set Internal Contrast Control On/Off, Increase / Decrease Contrast Level, Set Internal Voltage Divider On/Off, Set Display On/Off, Set Internal / External Oscillator, Set Contrast Level, Set Voltage Doubler / Tripler

* No need to resend the command again if it is set previously.

Commands Required for R/W Actions on RAM

R/W Actions on RAMs	Commands Required	
Read/Write Data from/to GDDRAM.	Set GDDRAM Page Address Set GDDRAM Column Address Read/Write Data	(000000X ₁ X ₀)* (1X ₆ X ₅ X ₄ X ₃ X ₂ X ₁ X ₀)* (X ₇ X ₆ X ₅ X ₄ X ₃ X ₂ X ₁ X ₀)
Save/Restore GDDRAM Column Address.	Save/Restore GDDRAM Column Address.	(0011010X ₀)
Increase GDDRAM Column Address by One	Dummy Read Data	(X ₇ X ₆ X ₅ X ₄ X ₃ X ₂ X ₁ X ₀)
Master Clear GDDRAM	Master Clear GDDRAM Dummy Write Data	(00110110) (X ₇ X ₆ X ₅ X ₄ X ₃ X ₂ X ₁ X ₀)

* No need to resend the command again if it is set previously.

The read / write action to the Display Data RAM does not depend on the display mode. This means the user can change the RAM content whether the target RAM content is being displayed.

Display Output Description

This is an example of output pattern on the LCD panel. The following table is a description of what is inside the CDDRAM, CGRAM and GD-DRAM. Figure 9b and 9c are the output pattern on the LCD display with different command enabled.

(Display Mode, Page Swapping, Scrolling, Column Re-map and Row Re-map)

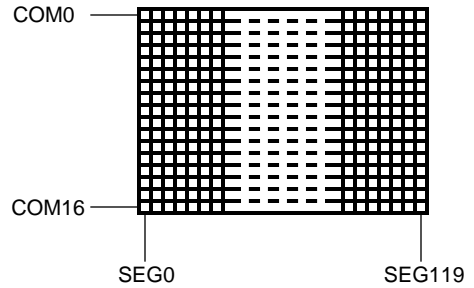
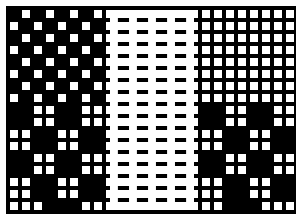


Figure 9a

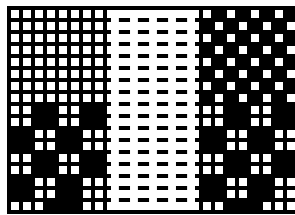
Content of GDDRAM

PAGE 1	5 A 5 A 5 A 5 A - - - - - 0 0 0 0 0 0 0 0
	5 A 5 A 5 A 5 A - - - - - 0 0 0 0 0 0 0 0
PAGE 2	3 3 C C 3 3 C C - - - - - 3 3 C C 3 3 C C
	3 3 C C 3 3 C C - - - - - 3 3 C C 3 3 C C

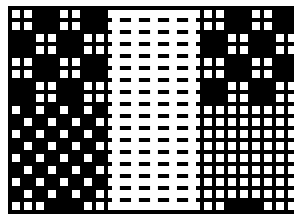
Figure 9b



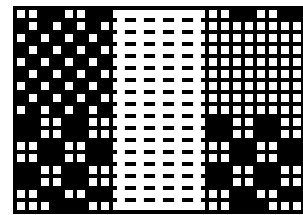
Column remap disable
Row re-map disable



Column remap enable
Row re-map disable



Column remap disable
Row re-map enable



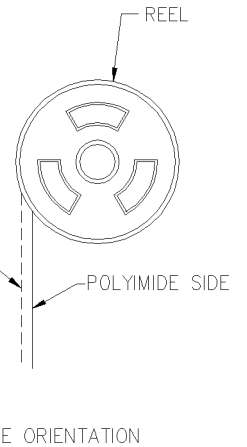
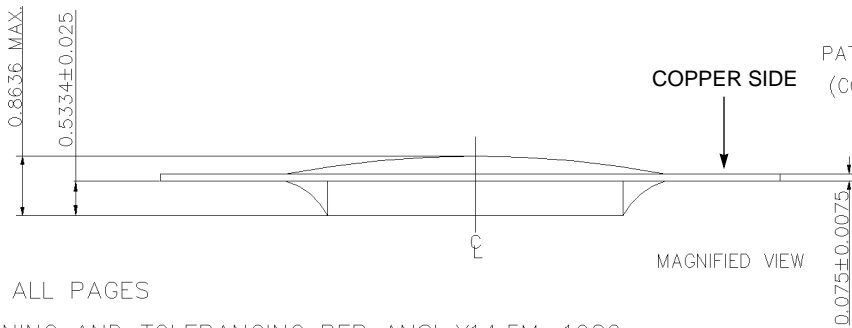
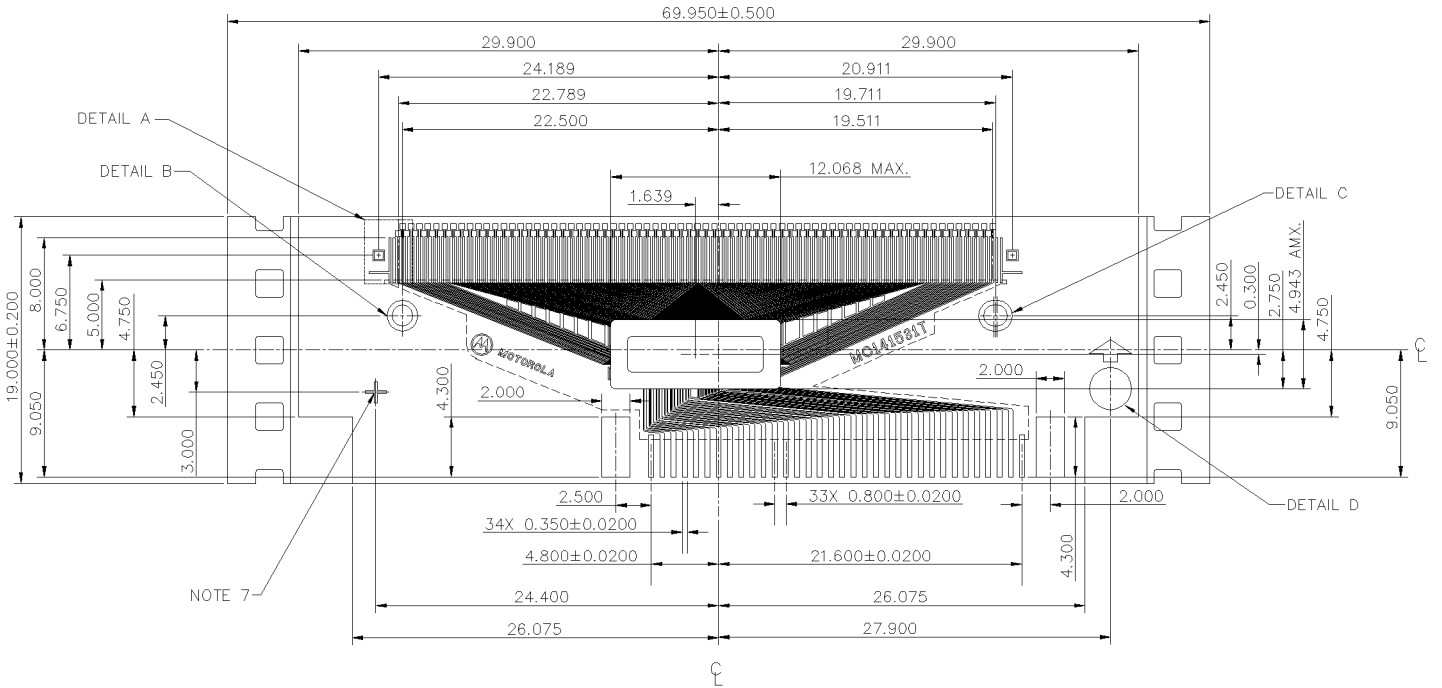
Column remap disable
Row re-map disable
Scroll Value = 0Fh

Figure 9c. Examples of LCD display with different command enabled

PACKAGE DIMENSIONS
MC141531T
TAB PACKAGE DIMENSION - 1
98ASL00247A ISSUE0



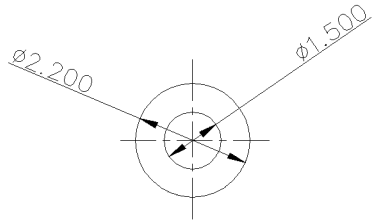
LEADING DIRECTION



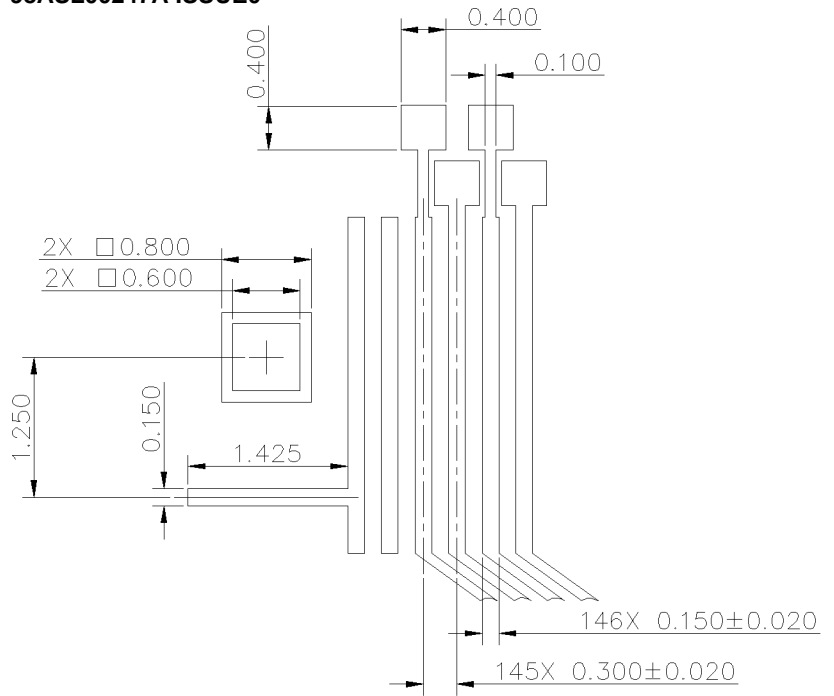
NOTES FOR ALL PAGES

1. DIMENSIONING AND TOLERANCING PER ANSI Y14.5M, 1982.
2. IF NOT SPECIFIED, SIZE IN MILLIMETER
3. UNSPECIFIED DIMENSION TOLERANCE IS ± 0.05
4. BASE MATERIAL: 75 MICRON UPILEX-S
5. COPPER TYPE: 3/4 OZ COPPER (THICKNESS TYP. 25 MICROMETER, MIN 18 MICROMETER)
6. 4 SPROCKET HOLES DEVICE
7. OPTIONAL FEATURE FOR SPS INTERNAL USE ONLY WHICH MAY BE REPLACED BY ϕ 2.0 MM HOLE.

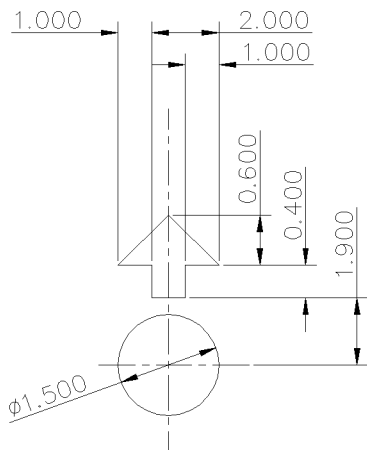
PACKAGE DIMENSIONS
MC141531T
TAB PACKAGE DIMENSION - 2
98ASL00247A ISSUE0



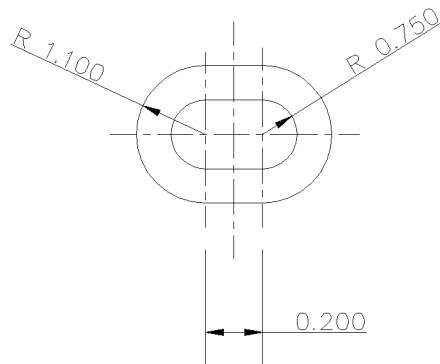
DETAIL B



DETAIL A



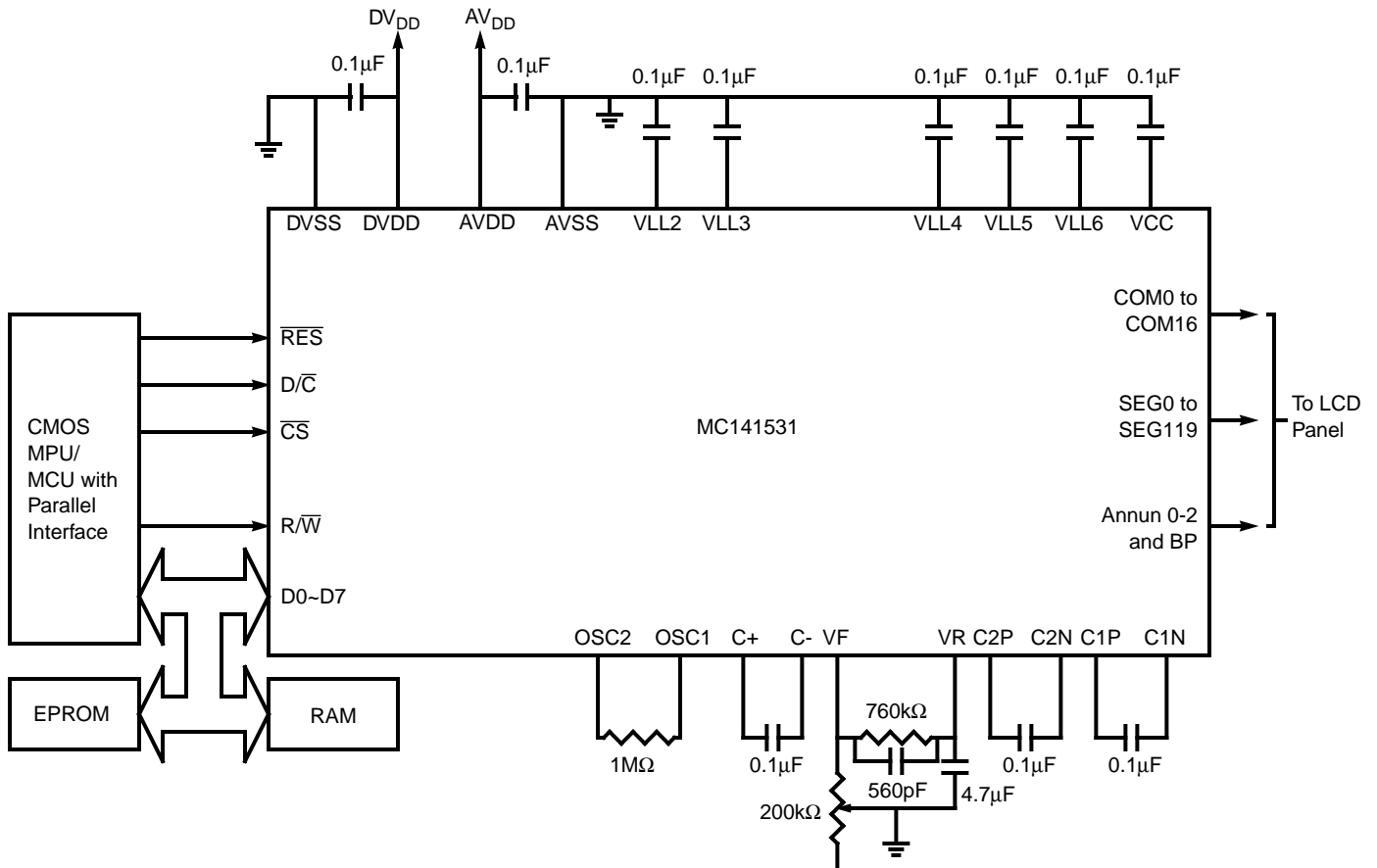
DETAIL D



DETAIL C

Application Circuit

16/17 MUX Display with Analog Circuitry enabled, Tripler enabled and 1:5 bias

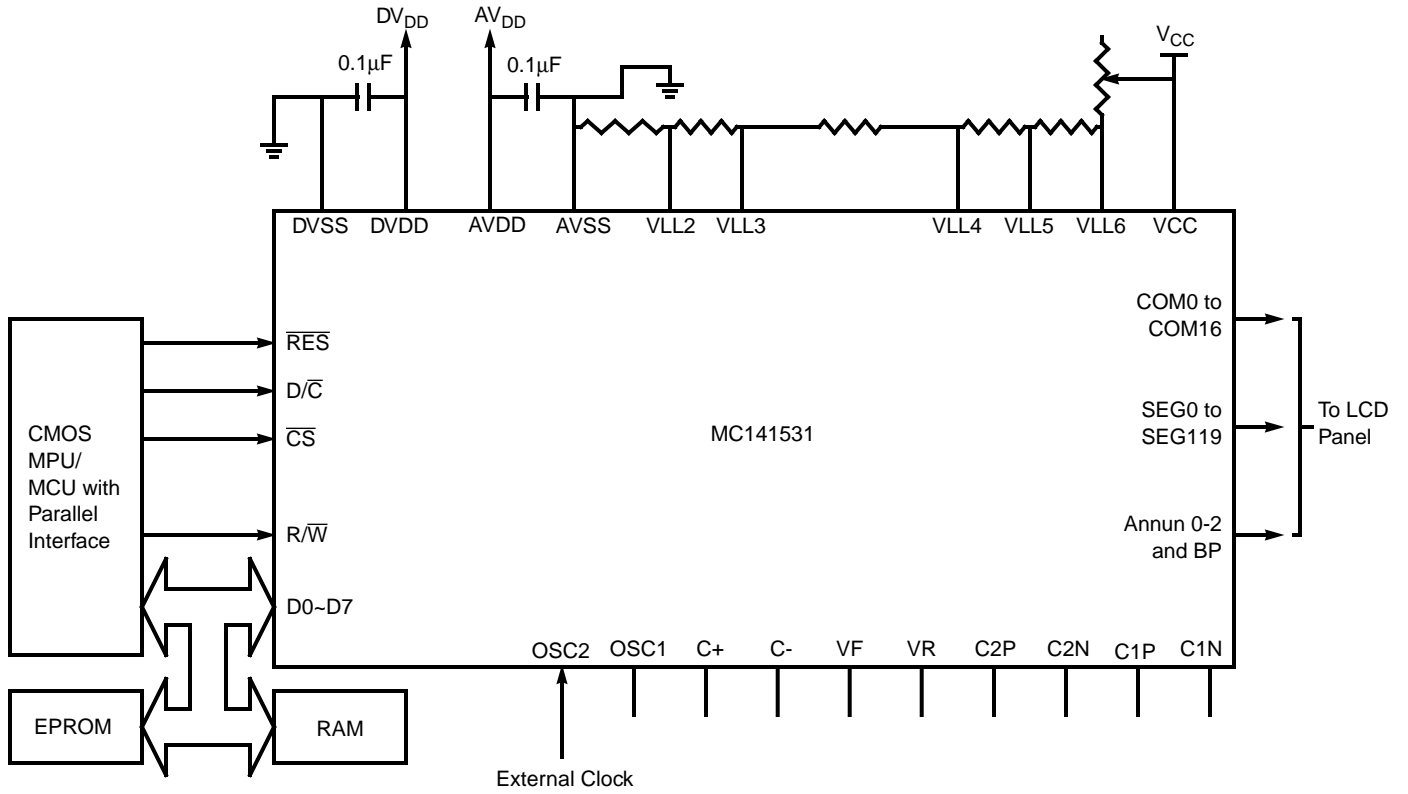


Remark :

1. Capacitor between C2N and C2P can be omitted only if doubler is enable.
2. Resistor across OSC1 and OSC2 can be omitted if external oscillator is used.
3. VR and VF can be left open for Regulator disable, TC = 0% and Contrast Disable.
4. \overline{RES} , \overline{CS} , R/\overline{W} and D/\overline{C} should be at a known state.
5. \overline{CS} line low at Standby Mode.

Application Circuit

16/17 MUX Display with Analog Circuit disabled, External Bias



Remark :

1. Value of the resistors depends on the LCD panel characteristic.
2. RES, CS, R/W and D/C should be at a known state.
3. CS line low at Standby Mode.

Die Pad Coordinate of MC141531

Pad	Pin Name	X (um)	Y(um)	Bump Size (um)	Pad	Pin Name	X (um)	Y(um)	Bump Size (um)	Pad	Pin Name	X (um)	Y(um)	Bump Size (um)
1	OSC2	-3685	-762.9	76x76	71	SEG102	3925	631.5	50x108	141	SEG32	-1409	631.5	50x108
2	AVSS	-3487	-762.9	76x76	72	SEG101	3849	631.5	50x108	142	SEG31	-1485	631.5	50x108
3	VR	-3290	-762.9	76x76	73	SEG100	3773	631.5	50x108	143	SEG30	-1561	631.5	50x108
4	VF	-3183	-762.9	76x76	74	SEG99	3697	631.5	50x108	144	SEG29	-1637	631.5	50x108
5	VCC	-2985	-762.9	76x76	75	SEG98	3620	631.5	50x108	145	SEG28	-1714	631.5	50x108
6	C-	-2787	-762.9	76x76	76	SEG97	3544	631.5	50x108	146	SEG27	-1790	631.5	50x108
7	C+	-2590	-762.9	76x76	77	SEG96	3468	631.5	50x108	147	SEG26	-1866	631.5	50x108
8	VLL6	-2392	-762.9	76x76	78	SEG95	3392	631.5	50x108	148	SEG25	-1942	631.5	50x108
9	VLL5	-2194	-762.9	76x76	79	SEG94	3316	631.5	50x108	149	SEG24	-2018	631.5	50x108
10	VLL4	-1997	-762.9	76x76	80	SEG93	3239	631.5	50x108	150	SEG23	-2095	631.5	50x108
11	OSC1	-1789	-762.9	76x76	81	SEG92	3163	631.5	50x108	151	SEG22	-2171	631.5	50x108
12	VLL3	-1682	-762.9	76x76	82	SEG91	3087	631.5	50x108	152	SEG21	-2247	631.5	50x108
13	VLL2	-1485	-763.2	76x76	83	SEG90	3011	631.5	50x108	153	SEG20	-2323	631.5	50x108
14	C1N	-1287	-762.9	76x76	84	SEG89	2935	631.5	50x108	154	SEG19	-2399	631.5	50x108
15	C1P	-1089	-762.9	76x76	85	SEG88	2858	631.5	50x108	155	SEG18	-2476	631.5	50x108
16	C2N	-891.6	-762.9	76x76	86	SEG87	2782	631.5	50x108	156	SEG17	-2552	631.5	50x108
17	C2P	-693.9	-762.9	76x76	87	SEG86	2706	631.5	50x108	157	SEG16	-2628	631.5	50x108
18	AVDD	-496.2	-762.9	76x76	88	SEG85	2630	631.5	50x108	158	SEG15	-2704	631.5	50x108
19	AVDD	-298.5	-762.9	76x76	89	SEG84	2554	631.5	50x108	159	SEG14	-2780	631.5	50x108
20	DVSS	-99	-762.9	76x76	90	SEG83	2477	631.5	50x108	160	SEG13	-2857	631.5	50x108
21	DVSS	18	-762.9	76x76	91	SEG82	2401	631.5	50x108	161	SEG12	-2933	631.5	50x108
22	DVSS	124.8	-762.9	76x76	92	SEG81	2325	631.5	50x108	162	SEG11	-3009	631.5	50x108
23	D7	241.8	-762.9	76x76	93	SEG80	2249	631.5	50x108	163	SEG10	-3085	631.5	50x108
24	DVSS	348.6	-762.9	76x76	94	SEG79	2173	631.5	50x108	164	SEG9	-3161	631.5	50x108
25	D6	465.6	-762.9	76x76	95	SEG78	2096	631.5	50x108	165	SEG8	-3238	631.5	50x108
26	DVSS	572.4	-762.9	76x76	96	SEG77	2020	631.5	50x108	166	SEG7	-3314	631.5	50x108
27	D5	689.4	-762.9	76x76	97	SEG76	1944	631.5	50x108	167	SEG6	-3390	631.5	50x108
28	DVSS	796.2	-762.9	76x76	98	SEG75	1868	631.5	50x108	168	SEG5	-3466	631.5	50x108
29	D4	913.2	-762.9	76x76	99	SEG74	1792	631.5	50x108	169	SEG4	-3542	631.5	50x108
30	DVSS	1020	-762.9	76x76	100	SEG73	1715	631.5	50x108	170	SEG3	-3619	631.5	50x108
31	D3	1137	-762.9	76x76	101	SEG72	1639	631.5	50x108	171	SEG2	-3695	631.5	50x108
32	DVSS	1244	-762.9	76x76	102	SEG71	1563	631.5	50x108	172	SEG1	-3771	631.5	50x108
33	D2	1361	-762.9	76x76	103	SEG70	1487	631.5	50x108	173	SEG0	-3847	631.5	50x108
34	DVSS	1468	-762.9	76x76	104	SEG69	1411	631.5	50x108	174	COM16	-3930	631.5	50x108
35	D1	1585	-762.9	76x76	105	SEG68	1334	631.5	50x108	175	COM15	-4006	631.5	50x108
36	DVSS	1691	-762.9	76x76	106	SEG67	1258	631.5	50x108	176	COM14	-4082	631.5	50x108
37	D0	1808	-762.9	76x76	107	SEG66	1182	631.5	50x108	177	COM13	-4159	631.5	50x108
38	DVSS	1915	-762.9	76x76	108	SEG65	1106	631.5	50x108	178	COM12	-4235	631.5	50x108
39	CS	2032	-762.9	76x76	109	SEG64	1030	631.5	50x108	179	COM11	-4311	631.5	50x108
40	DVSS	2139	-762.9	76x76	110	SEG63	953.4	631.5	50x108	180	COM10	-4254	140.1	108x50
41	R/W	2256	-762.9	76x76	111	SEG62	877.2	631.5	50x108	181	COM9	-4254	63.9	108x50
42	DVSS	2363	-762.9	76x76	112	SEG61	801	631.5	50x108	182	COM8	-4254	-12.3	108x50
43	D/C	2480	-762.9	76x76	113	SEG60	724.8	631.5	50x108	183	COM7	-4254	-88.5	108x50
44	RES	2587	-762.9	76x76	114	SEG59	648.6	631.5	50x108	184	COM6	-4254	-164.7	108x50
45	DVDD	2794	-762.9	76x76	115	SEG58	572.4	631.5	50x108	185	COM5	-4254	-240.9	108x50
46	BP	2901	-762.9	76x76	116	SEG57	496.2	631.5	50x108	186	COM4	-4254	-317.1	108x50
47	DVSS	3018	-762.9	76x76	117	SEG56	420	631.5	50x108	187	COM3	-4254	-393.3	108x50
48	ANNUN2	3125	-762.9	76x76	118	SEG55	343.8	631.5	50x108	188	COM2	-4254	-469.5	108x50
49	DVSS	3242	-762.9	76x76	119	SEG54	267.6	631.5	50x108	189	COM1	-4254	-545.7	108x50
50	ANNUN1	3348	-762.9	76x76	120	SEG53	191.4	631.5	50x108	190	COM0	-4254	-621.9	108x50
51	DVSS	3465	-762.9	76x76	121	SEG52	115.2	631.5	50x108	191	COM16	-4254	-698.1	108x50
52	ANNUN0	3572	-762.9	76x76	122	SEG51	39	631.5	50x108					
53	DVSS	3689	-762.9	76x76	123	SEG50	-37.2	631.5	50x108					
54	SEG119	4254	-697.2	108x50	124	SEG49	-113.4	631.5	50x108					
55	SEG118	4254	-621	108x50	125	SEG48	-189.6	631.5	50x108					
56	SEG117	4254	-544.8	108x50	126	SEG47	-265.8	631.5	50x108					
57	SEG116	4254	-468.6	108x50	127	SEG46	-342	631.5	50x108					
58	SEG115	4254	-392.4	108x50	128	SEG45	-418.2	631.5	50x108					
59	SEG114	4254	-316.2	108x50	129	SEG44	-494.4	631.5	50x108					
60	SEG113	4254	-240	108x50	130	SEG43	-570.6	631.5	50x108					
61	SEG112	4254	-163.8	108x50	131	SEG42	-646.8	631.5	50x108					
62	SEG111	4254	-87.6	108x50	132	SEG41	-723	631.5	50x108					
63	SEG110	4254	-11.4	108x50	133	SEG40	-799.2	631.5	50x108					
64	SEG109	4254	64.8	108x50	134	SEG39	-875.4	631.5	50x108					
65	SEG108	4254	141	108x50	135	SEG38	-951.6	631.5	50x108					
66	SEG107	4306	631.5	50x108	136	SEG37	-1028	631.5	50x108					
67	SEG106	4230	631.5	50x108	137	SEG36	-1104	631.5	50x108					
68	SEG105	4154	631.5	50x108	138	SEG35	-1180	631.5	50x108					
69	SEG104	4078	631.5	50x108	139	SEG34	-1256	631.5	50x108					
70	SEG103	4001	631.5	50x108	140	SEG33	-1333	631.5	50x108					

Die Size : 358.5 X 78 mil