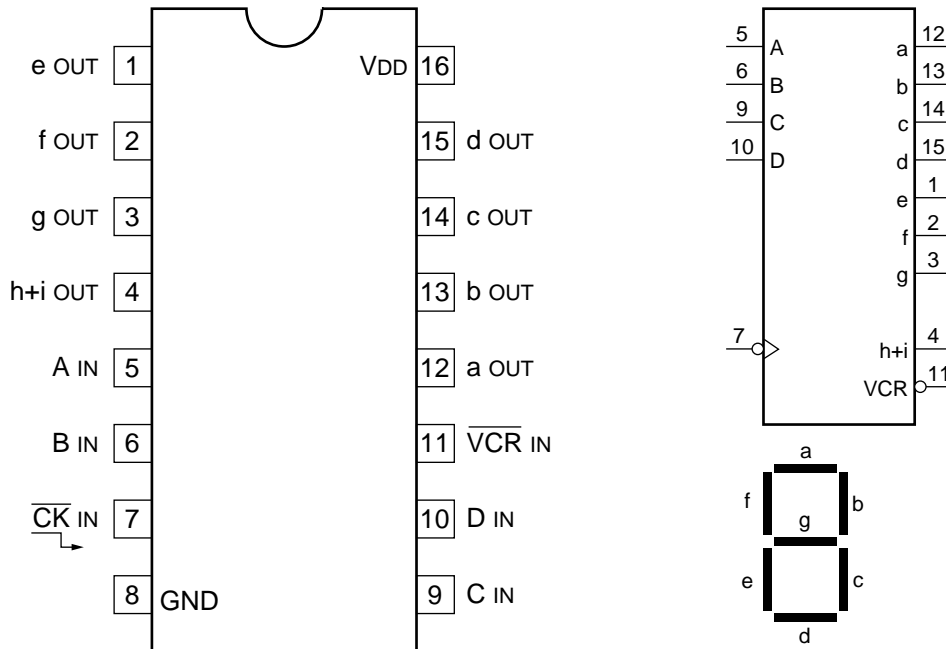


C-MOS BCD-TO-SEVEN-SEGMENT 4-BIT LATCH / DECODER DRIVER
—TOP VIEW—



INPUTS					OUTPUTS									DISPLAY
CK	D	C	B	A	a	b	c	d	e	f	g	h+i	VCR	
0	0	0	0	0	1	1	1	1	1	1	0	0	Z	0
0	0	0	0	1	0	1	1	0	0	0	0	0	Z	1
0	0	0	1	0	1	1	0	1	1	0	1	0	Z	2
0	0	0	1	1	1	1	1	1	0	0	1	0	Z	3
0	0	1	0	0	0	1	1	0	0	1	1	0	Z	4
0	0	1	0	1	1	0	1	1	0	1	1	0	Z	5
0	0	1	1	0	1	0	1	1	1	1	1	0	Z	6
0	0	1	1	1	1	1	1	0	0	0	0	0	Z	7
0	1	0	0	0	1	1	1	1	1	1	1	0	Z	8
0	1	0	0	1	1	1	1	1	0	1	1	0	Z	9
0	1	0	1	0	1	1	1	0	1	1	1	1	Z	A
0	1	0	1	1	0	0	1	1	1	1	1	1	Z	b
0	1	1	0	0	1	0	0	1	1	1	0	1	Z	c
0	1	1	0	1	0	1	1	1	1	0	1	1	Z	d
0	1	1	1	0	1	0	0	1	1	1	1	1	Z	e
0	1	1	1	1	1	0	0	0	1	1	1	1	O	F
0	X	X	X	X	X	X	X	X	X	X	X	X	Z/O	DATA LATCH
1	X	X	X	X	X	X	X	X	X	X	X	X	Z/O	DATA HOLD

0 ; LOW LEVEL
 1 ; HIGH LEVEL
 X ; DON'T CARE
 Z ; HIGH IMPEDANCE