



MOTOROLA

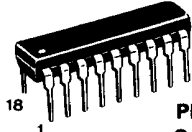
Advance Information

Pulse/Tone Repertory Dialer Low Power Silicon-Gate CMOS

The MC145412/13 and MC145512 are silicon gate, monolithic CMOS integrated circuits which convert keyboard inputs into either pulse or DTMF outputs. They are packaged in a standard 18 pin (0.3" wide) plastic DIP.

- 3x4 or 4x4 Keyboard Compatibility Which Allows the Use of 2-of-7, 2-of-8, or Form A Type Keyboards
- MC145413 Adds Keyboard Selectable Pause Switch Function
- Single Pin Switchable Between DTMF, 10 pps and 20 pps
- 500 Hz Tone Signal Output in the Pulse Dialing Mode
- Memory Storage for Ten 18 Digit Numbers, Including Last Number Redial
- Uses 3.579545 MHz Colorburst Crystal
- Telephone Line Powered
- Silicon Gate CMOS Technology for 1.7-5.5 V Low Power Operation
- Stand Alone DTMF Dialer/Stand Alone Pulse Dialer
- Mute Output Used to Isolate Receiver from Dialing Output
- Memory Programming Options by Keyboard Configuration

MC145412 MC145413 MC145512



18
1

PLASTIC CASE 707

Ordering Information

MC145 X X X X

P Plastic

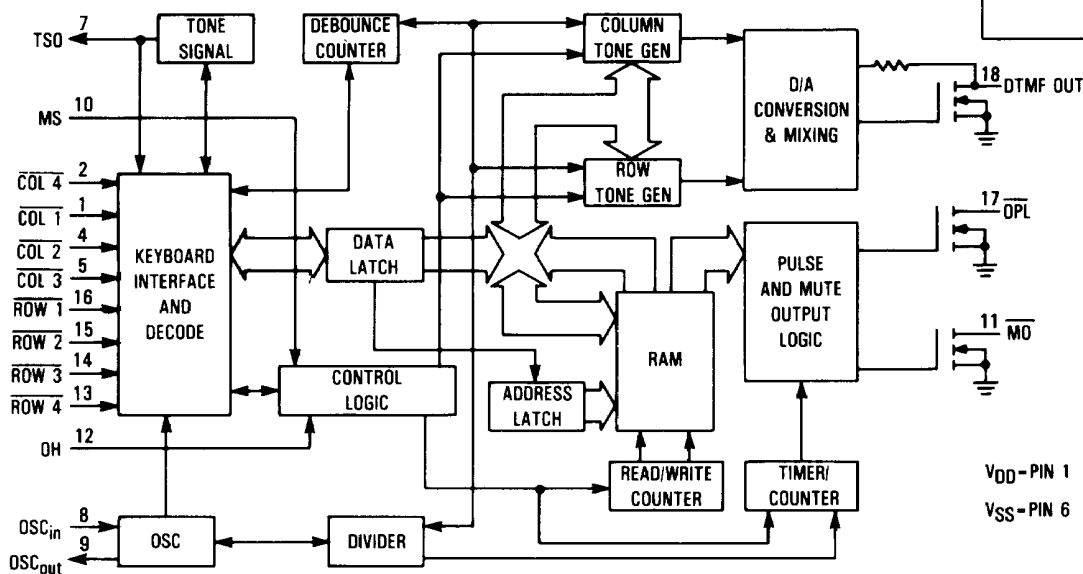
4 40/60 M/B Ratio

5 32/68 M/B Ratio

PIN ASSIGNMENT

V _{DD}	1	18	DTMF OUT
COL 4	2	17	OPL
COL 1	3	16	ROW 1
COL 2	4	15	ROW 2
COL 3	5	14	ROW 3
V _{SS}	6	13	ROW 4
TSO	7	12	OH
OSC _{in}	8	11	M _O
OSC _{out}	9	10	MS

BLOCK DIAGRAM



V_{DD}-PIN 1
V_{SS}-PIN 6