



MC2012 SERIES -

Multilayer Ceramic-3 Terminal EMI Filter

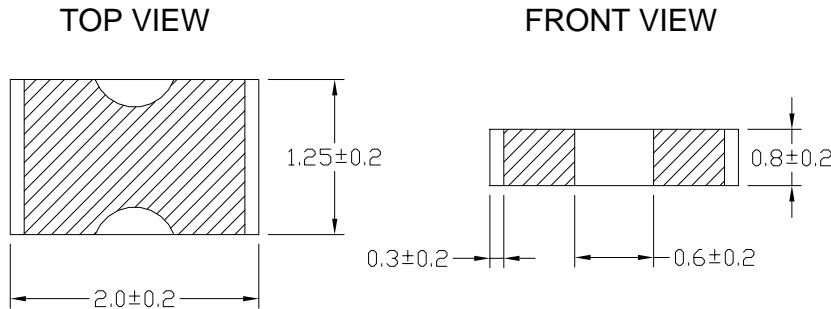


PART NUMBERING SYSTEM

MC	2 0 1 2	-	2 2 0	-	LF
TYPE	DIMENSIONS		CAPACITANCE		LEAD FREE

SHAPES AND DIMENSIONS

UNIT : mm



SPECIFICATION TABLE

PART NUMBER	Capacitance(pF) Tolerance		Rated Voltage	Rate Current (A)	IR MΩ(Min)	DC Resistance Ω(MAX)	DC Resistance Ω(MAX)
MC2012-220S-LF	22	+50,-20%	50V DC	0.4A DC	10,000	0.3	0±30ppm/°C
MC2012-470S-LF	47	+50,-20%	50V DC	0.4A DC	10,000	0.3	0±30ppm/°C
MC2012-101S-LF	100	+50,-20%	50V DC	0.4A DC	10,000	0.3	0±30ppm/°C
MC2012-221S-LF	220	+50,-20%	50V DC	0.4A DC	10,000	0.3	0±30ppm/°C
MC2012-471S-LF	470	+50,-20%	50V DC	0.4A DC	10,000	0.3	±15%
MC2012-102S-LF	1000	+50,-20%	50V DC	0.4A DC	10,000	0.3	±15%
MC2012-222S-LF	2200	+50,-20%	50V DC	0.4A DC	10,000	0.3	±15%

Operating temperature range -25°C to +85°C .

Electrical specifications at 25°C.

Packing : 7" reel, machine-ready ,embossed plastic tape (4,000 parts per full reel).