

# MC2045-3

## Postamplifier for Applications to 200Mbps

### FEATURES

- Low-cost IC, fabricated in advanced sub-micron BiCMOS process
- 1.5mV input sensitivity
- Wide range programmable input-signal level detect
- Fully differential design
- Supports 3.3V and 5V supplies
- Available in TSSOP20, SOIC16 and QSOP16 package as well as die form
- Complimentary PECL data & signal detect logic outputs

### DESCRIPTION

The **MC2045-3** is an integrated, high gain limiting amplifier intended for fibre optic communication to 200Mbps. Normally placed following the photodetector & transimpedance amplifier, the post-amplifier provides the necessary gain to give PECL compatible logic outputs.

The **MC2045-3** also includes a programmable signal-level detector, allowing the user to set thresholds at which the logic outputs are enabled. The signal detect function has typically 2.25dB (optical) of hysteresis which prevents chatter at low input levels.

A squelch function, which turns off the output when no signal is present, is provided by externally connecting the ST output to the JAM input.

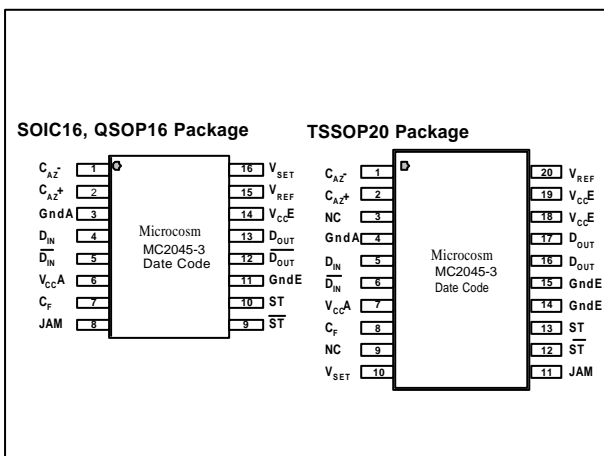
### APPLICATIONS

- SDH/SONET/ATM
- Fast Ethernet
- FDDI
- ESCON

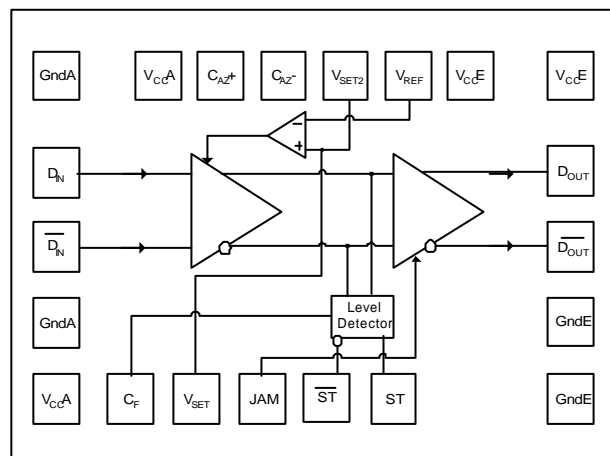
### ORDERING INFORMATION

Part	Pin-Package
MC2045-3DIEWP	Waffle pack
MC2045-3WAFER	Expanded Whole 8"on a 10" Grip Ring
MC2045-3S16	SOIC16
MC2045-3Q16	QSOP16
MC2045-3T20	TSSOP20

### CONNECTIONS



### TOP LEVEL DIAGRAM



### PIN DESCRIPTION

Pin Name	16 SOIC Pin No.	20 TSSOP Pin No.	Function
$C_{AZ^-}$	1	1	Auto-zero capacitor pin.
$C_{AZ^+}$	2	2	Auto-zero capacitor pin.
GNDA	3	4	Analogue section ground pin. Connect to most negative supply. Must be at same potential as GNDE Pin.
$D_{IN}$	4	5	Differential data input.
$\overline{D}_{IN}$	5	6	Inverse differential data input.
$V_{CC}A$	6	7	Analogue section power pin. Connect to most positive supply. Must be at the same potential as $V_{CC}E$ pin.
$C_F$	7	8	Level-detect filter capacitor pin. Connect the capacitor between this pin and $V_{CCA}$ .
JAM	8	11	PECL compatible input controlling output buffers ( $D_{OUT}$ and $\overline{D}_{OUT}$ pins). On chip pull-down defaults to low. Can be driven from CMOS.
$\overline{ST}$	9	12	Logical inverse of ST Pin. May be connected to JAM Pin to enable automatic squelch function to operate. PECL output.
ST	10	13	Input signal-level status. This PECL output is LOW when the input signal is below the threshold set by the uses.
GNDE	11	14, 15	Digital section ground pin. Connect to the most negative supply. Must be at the same potential as GNDA Pin.
$\overline{D}_{OUT}$	12	16	Logical inverse of $D_{OUT}$ Pin. JAM high forces $\overline{D}_{OUT}$ high. In phase with $\overline{D}_{IN}$ .
$D_{OUT}$	13	17	PECL compatible differential Data Output. JAM high forces $D_{OUT}$ low. In phase with $D_{IN}$ .
$V_{CC}E$	14	18,19	Digital output section power pin. Connect to the most positive supply must be at same potential as $V_{CC}A$ pin.
$V_{REF}$	15	20	Connect to positive supply via resistor. Sets value of internal reference current.
$V_{SET}$	16	10	Input threshold-level setting circuit. Connect to $V_{CC}$ via a resistor.

# MC2045-3

Postamplifier for Applications to 200Mbps

## ABSOLUTE MAXIMUM RATINGS

Symbol	Parameter	Rating	Units
$V_{CC}$	Power supply ( $V_{CC}$ -Gnd)	6	V
$T_A$	Operating ambient	-40 to +85	°C
$T_{STG}$	Storage temperature	-65 to +150	°C

These are the absolute maximum ratings at or beyond which the IC can be expected to fail or be damaged. Reliable operation at these extremes for any length of time is not implied.

## DC CHARACTERISTICS

Symbol	Parameter	Min.	Typ.	Max.	Units
$V_{IN}$	Input signal voltage Single-ended: Differential:	0.5 1	-	400 800	mVpp
$V_{OS}$	Effective input offset voltage	-	-	50	$\mu$ V
$V_N$	Input RMS noise in 100MHz	-	-	85	$\mu$ V
$V_{TH}$	Input level detect programmability	2	-	100	mVpp
$V_{HYS}$	Level detect hysteresis (optical)	1.85	2.25	3.00	dB
$I_{INJ}$	JAM input current HIGH	-10	-	10	$\mu$ A
$I_{CC}$	Supply current (no ECL loads)	-	-	35	mA
$V_{OH}$	PECL <sup>(1)</sup> output HIGH	<sup>(2)</sup> -1.025 <sup>(3)</sup> -1.075	- -	-0.88 -0.88	V
$V_{OL}$	PECL <sup>(1)</sup> output LOW	<sup>(2)</sup> -1.81 <sup>(3)</sup> -1.86	- -	-1.62 -1.62	V

(1) 50 $\Omega$  to  $V_{CC}$  -2V

(2) 0 to +80°C

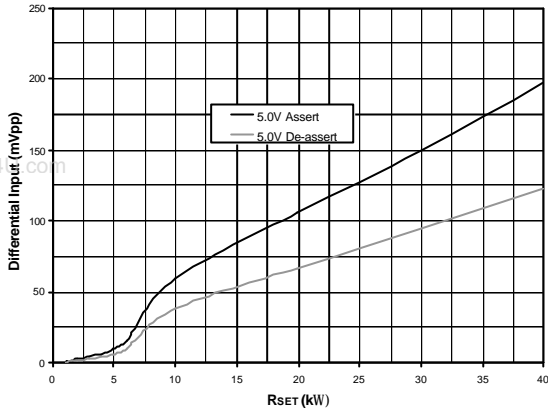
(3) -40°C

## AC CHARACTERISTICS

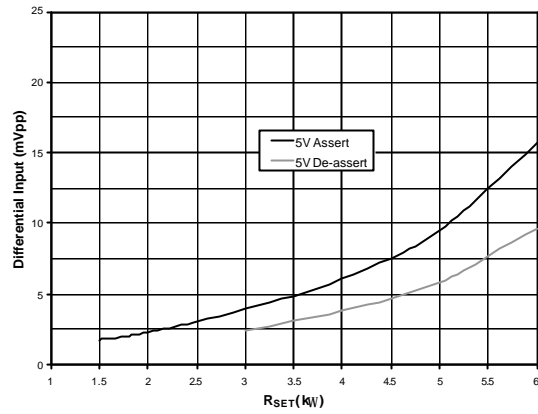
Symbol	Parameter	Min.	Typ.	Max.	Units
BW	Bandwidth: Gain >60dB	100	-	-	MHz
$R_{IN}$	Input resistance	-	10	-	k $\Omega$
$C_{IN}$	Input capacitance	-	-	2	pF
$t_{PWD}$	Pulse width distortion	-	-	0.4	ns
$t_R, t_F$	ECL out rise / falltimes (20-80% points)	-	1.0	2.0	ns

### TYPICAL PERFORMANCE CURVES

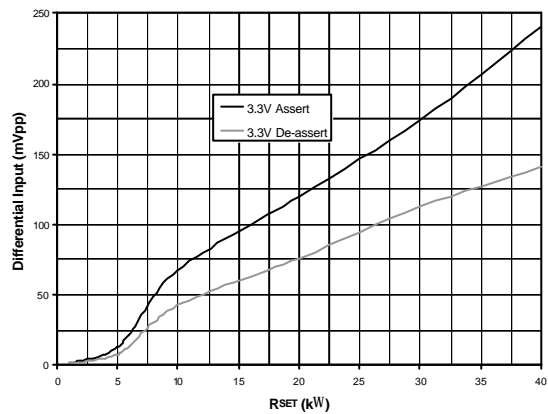
Typical Signal Detect (5V)



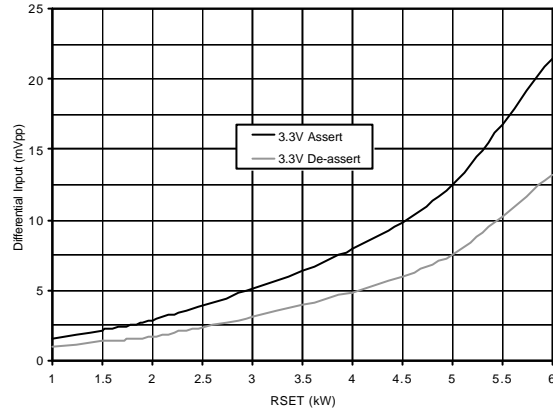
Signal Detect Detail (5V)



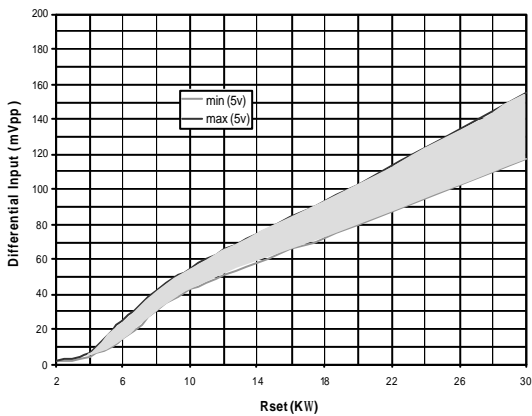
Typical Signal Detect (3.3V)



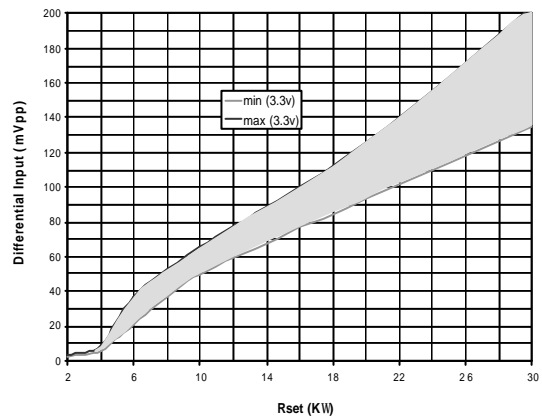
Signal Detect Detail (3.3V)



Signal Detect Assert Range (5V)  
(over process and temperature)

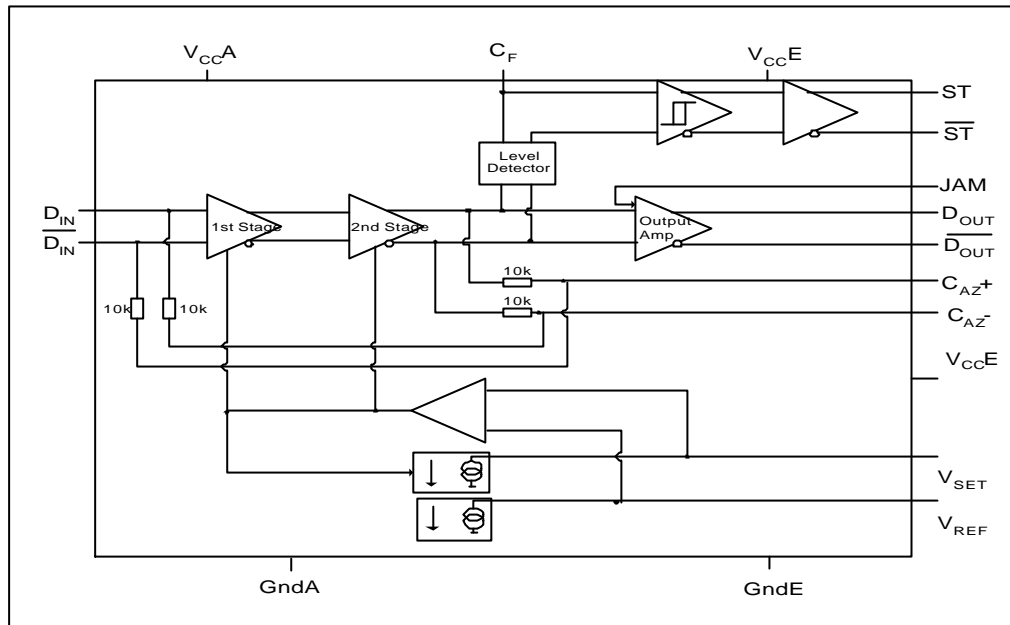


Signal Detect Assert Range (3.3V)  
(over process and temperature)



Note: For all of these graphs  $R_{REF} = 2k\Omega$

### FUNCTIONAL BLOCK DIAGRAM



### FUNCTIONAL DESCRIPTION

#### Input

The Data Input pins are internally DC biased at approximately  $V_{CC} - 1V$ . The MC2045-3 signals are AC coupled, using capacitors. These capacitors must be large enough to pass the lowest frequencies of interest (consecutive '1's or '0's) considering the input resistance.

For example, at 155Mbps SONET, there is a maximum of 72 consecutive '1's, which is 465ns. To achieve the maximum allowed data dependant jitter, the low frequency cut-off needs to be lower by a factor of 10. However, it is better to set it at least one decade lower, due to the interaction of the time constants for the input stage and the DC restore circuitry, giving an input capacitor value of 2.2nF.

#### DC Offset Compensation

An autozero circuit is included to remove the effects of DC offset. An external capacitor smoothes the feed back, acting with the internal 10kΩ circuit resistance to pass the lowest frequencies of interest. At data rates between 125Mbps and 155 Mbps, this is normally set to 180pF.

#### Level detector

The input data is first amplified, with the level of amplification set by the ratio of  $R_{SET}/R_{REF}$ . This amplification level sets the level of input at which the status

thresholds operate. The data is then rectified and low-pass filtered before being compared with a reference voltage. The low-pass filter is controlled by  $C_F$ , and 10nF will provide a nominal 2μs time constant, thus avoiding false triggering due to variation in edge density of data.

The comparator has the equivalent of 2.25dB (typ.) of optical hysteresis.

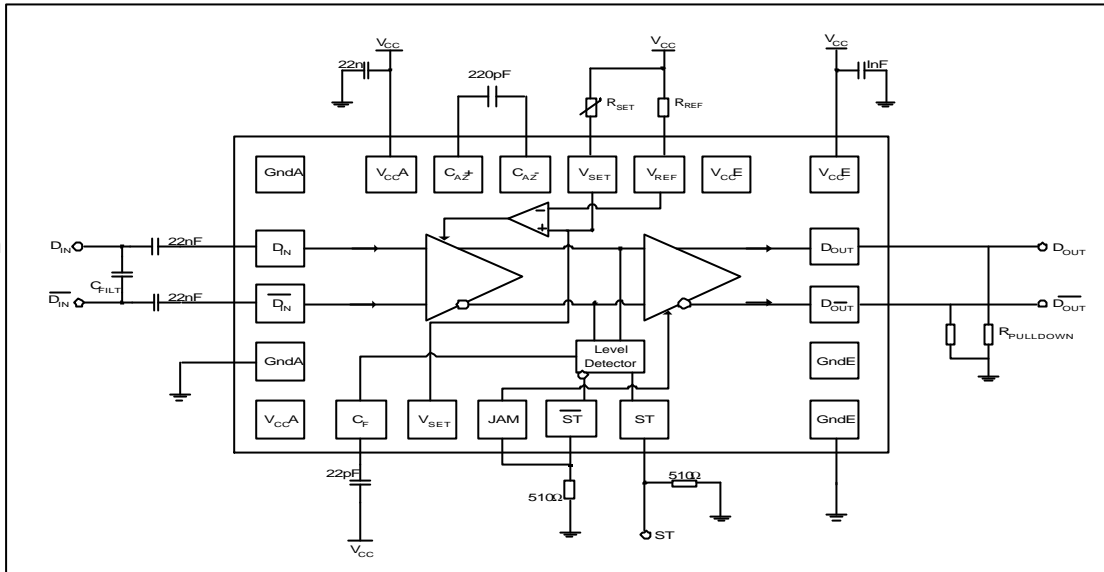
#### Squelch Function

The MC2045-3 provides for programmable input-signal level detection, and this may be used to automatically force the data outputs to a known state if the input signal falls below threshold using the JAM input. This is normally used to allow data to propagate only when the signal is above the users' Bit-Error-Rate (BER) requirement. It therefore stops the data outputs toggling due to noise when no signal is present.

In order to implement this function, ST should be connected to the JAM, thus forcing the data outputs to logical zero when the signal falls below threshold.

Note that  $R_{SET}$  and  $R_{REF}$  must be connected, even if the Level-Detect function is not required.

TYPICAL APPLICATIONS CIRCUIT



APPLICATIONS INFORMATION

Setting Signal Detect

The MC2045-3 uses two external resistors to set the signal detect level. Rref is set to 2kΩ for all applications. Rset is chosen using the graphs on page -4-. The value is dependant on supply voltage and should be chosen for 3.3V or 5V operation. If 3.3V and 5V operation are to be supported inter-changeably set R<sub>SET</sub> based on the 3.3V graphs.

The graphs also show the variation over process and temperature of the signal detect assert level. This, along with the minimum and maximum hysteresis are used to predict the usable sensitivity of the system.

PECL Termination

The outputs of the MC2045-3 are ECL100K and 300K compatible and any of the standard termination techniques can be used. The postamplifier PECL outputs often have to drive a transmission line. The most common method is to use pull-down resistors to V<sub>EE</sub> on the ECL outputs. This provides a DC current path for the ECL outputs in order to maintain the emitter follower outputs in the transistor's active region. A shunt resistor equal to twice the characteristic impedance across the differential outputs is used to terminate the transmission lines at the other end.

Another termination technique is to terminate with a resistor equal to the characteristic impedance of the transmission line to a DC voltage of V<sub>CC</sub> - 2V. This

has the advantage that the resistance value is the same for 3.3V and 5V operation and it also has performance advantages at high data rates. The DC voltage must be within 5% of nominal and must be adequately de-coupled. This can be implemented using a parallel (Thevenin) resistance combination.

The value of the pull-down and termination resistors can be selected from the tables below:

5V Supply

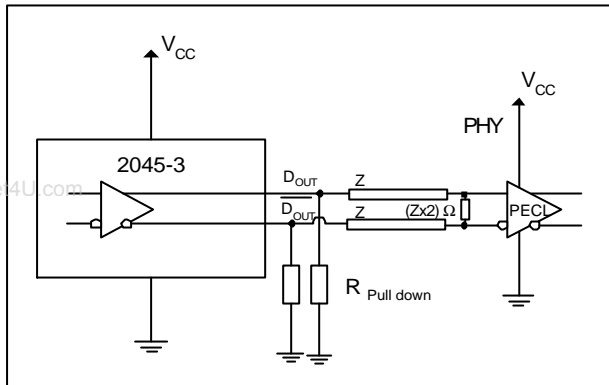
Impedance	Pull-down	Termination	Thevenin (R <sub>TOP</sub> )	Thevenin (R <sub>BOTTOM</sub> )
50Ω	270Ω	100Ω	82Ω	130Ω
75Ω	390Ω	150Ω	120Ω	180Ω

3.3V Supply

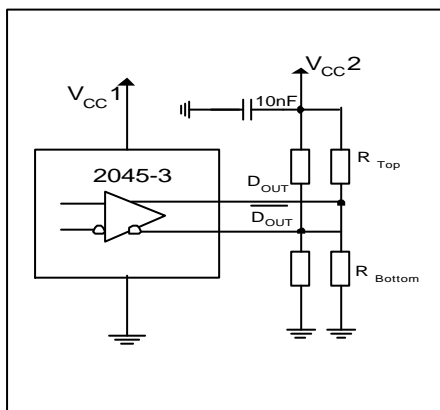
Impedance	Pull-down	Termination	Thevenin (Top)	Thevenin (Bottom)
50Ω	150Ω	100Ω	130Ω	82Ω
75Ω	220Ω	150Ω	180Ω	120Ω

### APPLICATIONS INFORMATION

#### DC Coupled PECL Termination



#### Thevenin PECL Termination



#### Power supply decoupling & optimising sensitivity

The MC2045-3 is not expected to require ferrite beads in order to give adequate performance. However, if optimum MC2045-3 sensitivity is required, the  $V_{CCA}$  and  $GndA$  pins of the MC2045-3 should each be connected to their respective power rails via a ferrite suppressor, such as Murata BLM31A601SPT.

Capacitors should be chosen with low effective series resistance, low dissipation factor and high Q. NPO or COG temperature characteristics are preferred because they provide more reliable performance over a wide range of environmental conditions.

Small surface mount packages are recommended since they exhibit less parasitic inductance which can lower the overall effectiveness of the bypass capacitor at high frequencies. Filter capacitors should be placed close to the transceiver power and ground pins to minimise noise coupling which can occur between the filter and the transceiver.

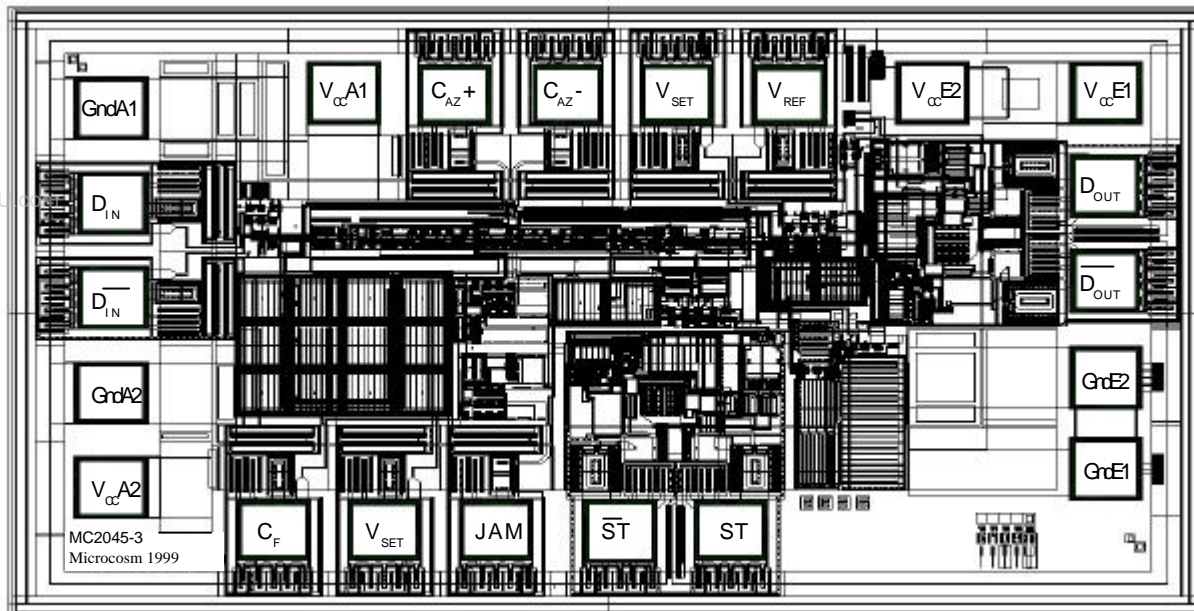
#### Differences between die and packaged parts:

$V_{SET}$  and  $V_{SET2}$  are alternative inputs to the same 'Vset' function. Connect one or other, not both.

There are 2 sets of  $V_{CCA}$  and  $GndA$  on the left of the die. Only one pair need be connected, though no harm will result from both pairs being connected. On the TSSOP package, pairs of  $V_{CC E}$  and  $Gnd E$  connections are connected.

### BARE DIE INFORMATION

#### Chip Layout



Pad Size 85x85 mm

#### Pad Centres

Description	X	Y
$C_{AZ-}$	-56.8	347.5
$C_{AZ+}$	-207	347.5
$V_{CC}A1$	-356.9	347.5
GndA1	-670	322.6
$D_{IN}$	-670	172.6
$D_{IN}$	-670	22.4
GndA2	-670	-127.6
$V_{CC}A2$	-670	-277.5
$C_F$	-451.4	-347.5
$V_{SET}2$	-301.3	-347.5
JAM	-151.2	-347.5

Description	X	Y
ST	15.8	-347.5
ST	166	-347.5
GndE1	670.8	-248
GndE2	670.8	-103
$D_{OUT}$	670.8	50.1
$D_{OUT}$	670.8	200.3
$V_{CC}E1$	670.8	347.5
$V_{CC}E2$	436.9	347.5
$V_{REF}$	243.4	347.5
$V_{SET}$	93.2	347.5

Pad coordinates are in  $\mu\text{m}$ , and are measured from the centre of the die to the centre of the pad.

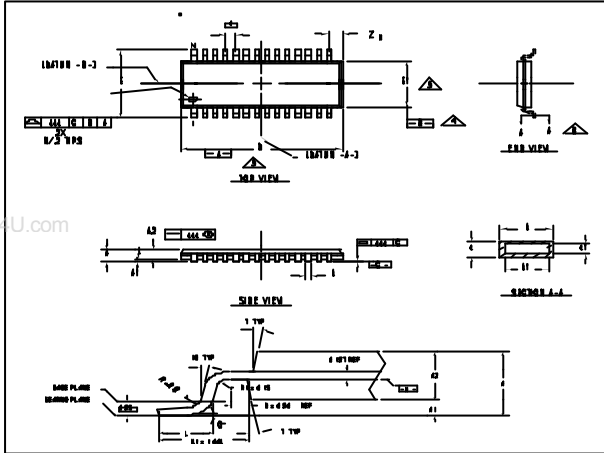


# MC2045-3

Postamplifier for Applications to 200Mbps

## PACKAGE INFORMATION

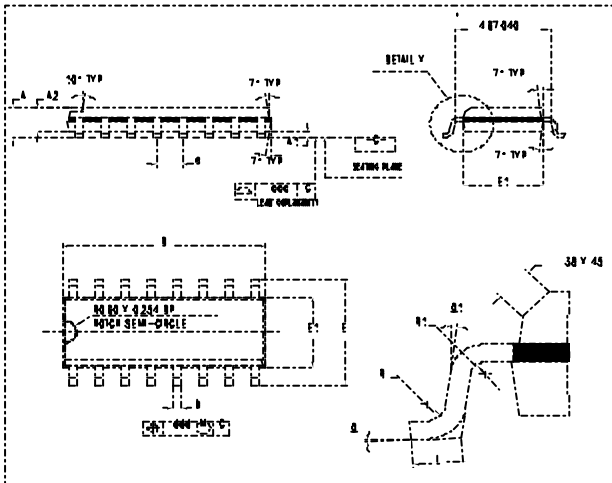
### 20 Lead Thin Small Shrink Outline Package (TSSOP)



Dims	Tols/Leads	20L	24L
A	MAX	1.20	
A1		.05 MIN/10 MAX	
A2	NOM	.90	
D	$\pm .05$	6.50	7.80
E	$\pm .10$	6.40	
E1	$\pm .10$	4.40	
L	+15/-10	.60	
L1	REF.	1.00	
Z $\phi$	REF.	.325	

Dims	Tols/Leads	20L	24L
e	BASIC	.65	
b	$\pm .05$	.22	
c		.13 MIN/20 MAX	
e	$\pm 4^\circ$	4 $^\circ$	
aaa	MAX	.10	
bbb	MAX	.10	
ccc	MAX	.05	
ddd	MAX	.20	

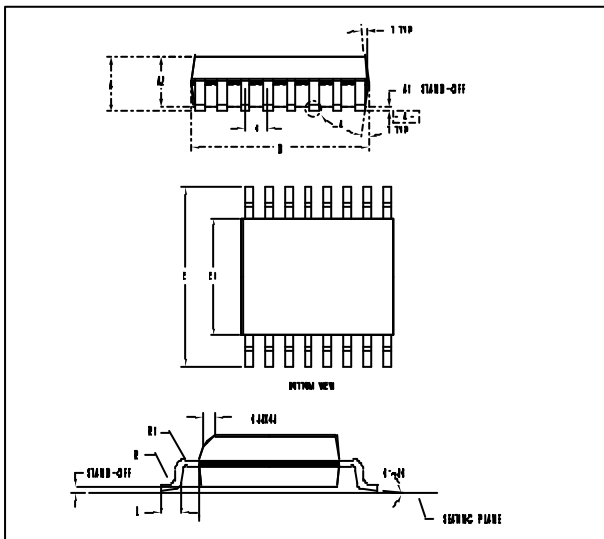
### 16 Lead Small Outline Package (SOIC)



Dims	Tols/N	8
A	MAX	1.70
A1	$\pm .05$	0.17
A2	$\pm .10$	1.38
D	$\pm .10$	9.9
E	$\pm .20$	6.00
E1	$\pm .10$	3.90
L	$\pm .05$	0.5
ccc	MAX	0.10

Dims	Tols/N	8
ddd	MAX	0.10
e	BASIC	1.27
b	$\pm .05$	0.43
0		0 $^\circ$ -7 $^\circ$
01	$\pm 4^\circ$	7 $^\circ$
R	MAX	0.20
R1	TYP.	0.13

### 16 Lead Quarter Small Outline Package (QSOP)



Dims	Tols/N	16
A	MAX	1.60
A1	$\pm .05$	0.1
A2	$\pm .10$	1.40
D	$\pm .10$	4.9
E	$\pm .20$	6.00
E1	$\pm .10$	3.90
L	$\pm .05$	0.6

Dims	Tols/N	16
ccc	MAX	0.10
ddd	MAX	0.10
e	BASIC	0.65
b	$\pm .05$	0.25
c	$\pm .05$	.2 min .24 max
R	$\pm .05$	0.20
R1	MIN.	0.20

**Headquarters****Newport Beach**

Mindspeed Technologies  
4000 MacArthur Boulevard, East Tower  
Newport Beach, CA 92660  
Phone: (949) 579-3000

www.DataSheet4U.com

www.mindspeed.com

**Americas****US Southwest/Pacific Southwest**

Newbury Park  
Phone: (805) 786-2000  
Fax: (805) 480-4486

**US Northwest/Pacific Northwest**

Santa Clara  
Phone: (408) 423-4500  
Fax: (408) 249-7113

**US North Central  
Illinois/Colorado**

Phone: (630) 799-9300  
Fax: (630) 799-9325

**US South Central - Texas**

Phone: (972) 735-1540  
Fax: (972) 407-0639

**US Northeast / Canada**

Phone: (613) 271-2358  
Fax: (613) 271-2359

**Massachusetts**

Phone: (978) 244-7680  
Fax: (978) 244-6868

**US Southeast - North Carolina**

Phone: (919) 858-9110  
Fax: (919) 858-8669

**US Florida / South America**

Phone: (727) 799-8406  
Fax: (727) 799-8306

**US Mid-Atlantic - Pennsylvania**

Phone: (215) 244-6784  
Fax: (215) 244-9292

**San diego**

Phone: (858) 228 3000  
Fax: (858) 228 3000

**Santa Clara**

Phone: (408) 423 4500  
Fax: (408) 249 7133

**Asia****Taiwan**

Phone: (886-2) 8789-8366  
Fax: (886-2) 8789-8366

**China - Hong Kong**

Phone: 86-755-518-2495  
Fax: 86-755-518-3024

**Hong Kong**

Phone: 852-2-827-0181  
Fax: 852-2-827-6488

**China - Central and North**

Phone: (86-21) 6350-5701  
Fax: (86-21)-6350-5702

**Korea**

Phone: 82-2-565-2880  
Fax: 82-2-528-4301

**Mindspeed Technologies Japan  
Company Limited.**

Phone: (81-3) 5380 1730  
Fax: (81-3) 5371 1501

**Europe****Europe Central  
Germany, Switzerland Eastern  
Europe  
and Turkey**

Phone: (49) 89 829 1320  
Fax: (49) 89 834 2734

**Europe Mediterranean  
Italy, Spain and Portugal**

Phone: (39) 02 9317 9911  
Fax: (39) 02 9317 9913

**Europe North  
UK, Ireland and Scandinavia**

Phone: 44 (0) 118 920 9500  
Fax: 44 (0) 118 920 9595

**UK**

Phone: 44 (0) 1925-661968  
Fax: 44 (0) 1925-661800

**Europe South  
France, Belgium and Netherlands**

Phone: +33 (0) 1 56 30 80 40  
Fax: +33 (0) 1 56 30 80 20

**Europe - Israel/Greece**

Phone: (972) 9961-5100  
Fax: (972) 9957 5166

**Europe - Finland**

Phone: (35) 892316 6495  
Fax: (35) 892316 6220