



# IEEE 802.3 10BASE-T Transceiver

The Motorola 10BASE-T transceiver, designed to comply with the ISO 8802-3 [IEEE 802.3] 10BASE-T specification, will support a Medium Dependent Interface (MDI) in an embedded Media Attachment Unit (MAU)\*. The interface supporting the Data Terminal Equipment (DTE) is TTL, CMOS, and raised ECL compatible, and the interface to the Twisted Pair (TP) media is supported through standard 10BASE-T filters and transformers. Differential data intended for the TP media is provided a 50 ns pre-emphasis and data at the TP receiver is screened by Smart Squelch circuitry for specific threshold, pulse width, and sequence requirements.

Other features of the MC34055 include: Collision and Jabber detection status outputs, select mode pins for forcing Loop Back and Full-Duplex operation, a Signal Quality Error pin for testing the collision detect circuitry without affecting the TP output, and a LED driver for Link Integrity status. An on-chip oscillator, capable of receiving a clock input or operating under crystal control, is also provided for internal timing and driving a buffered clock output.

The MC34055 is manufactured on a BiCMOS process and is packaged in a 24 pin SOIC.

- BiCMOS Technology for Low Power Operation
- Standard 5.0 V, ± 5% Voltage Supply
- Smart Squelch Enforcement of Threshold, Pulse Width, and Sequence Requirements
- Driver Pre-Emphasis for Output Data
- TTL, CMOS and Raised ECL Compatible
- Interfaces to TP Media with Standard 10BASE-T Filters and Transformers
- LED Capable Status Outputs for Collision, Jabber Detection, and Link Integrity
- Directly Driven or Crystal Controlled Clock Oscillator
- Selectable Full-Duplex Operation
- Signal Quality Error Test Pin
- Selectable Loop Back

### MAXIMUM RATINGS (T<sub>A</sub> = 25°C, unless otherwise noted.)

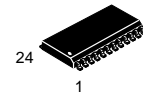
Rating	Symbol	Value	Unit
Power Supply Voltage	V <sub>CC</sub>	- 0.5 to 7.0	Vdc
Differential Voltage at RX+/RX-	V <sub>ID</sub>	- 5.25 to 5.25	Vdc
Voltage Applied to Logic and Mode/Test Select Inputs		- 0.5 to 5.5	Vdc
Voltage Applied to Logic Outputs and Output Status Pins		- 0.5 to 7.0	Vdc
Ambient Operating Temperature Range	T <sub>A</sub>	0 to 70	°C
Junction Temperature	T <sub>J</sub>	- 65 to 150	°C

**NOTE:** Devices should not be operated at these limits. The "Recommended Operating Conditions" table provides for actual device operation.

## MC34055

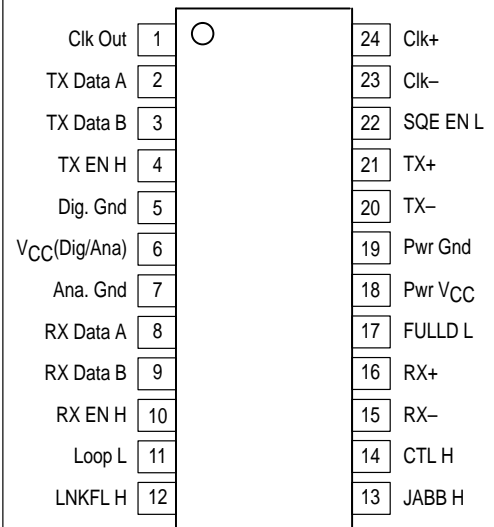
### 10BASE-T TRANSCEIVER

#### SEMICONDUCTOR TECHNICAL DATA



**DW SUFFIX**  
PLASTIC PACKAGE  
CASE 751E  
(SO-24L)

### PIN CONNECTIONS

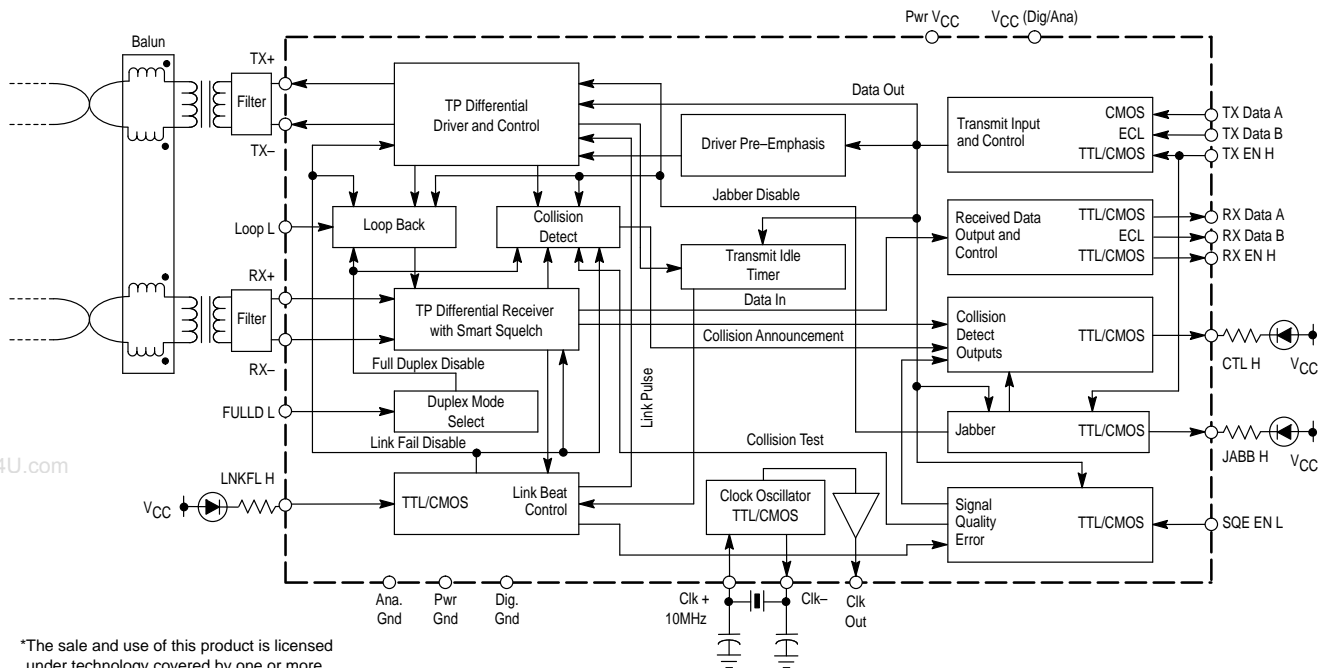


### ORDERING INFORMATION

Device	Operating Temperature Range	Package
MC34055DW	T <sub>A</sub> = 0° to +70°C	SO-24L

# MC34055

## Simplified Block Diagram



\*The sale and use of this product is licensed under technology covered by one or more Digital Equipment Corporation patents.

This device contains 9,875 active transistors.

### RECOMMENDED OPERATING CONDITIONS

Characteristic	Symbol	Min	Typ	Max	Unit
Power Supply Voltage	$V_{CC}$	4.75	5.0	5.25	Vdc
Voltage Applied to Logic Inputs and Status Pins	–	0	–	5.25	Vdc
Differential Input Voltage	–	0.59	–	2.8	Vpp
Operating Ambient Temperature	$T_A$	0	–	70	°C

**NOTE:** All limits are not necessarily functional concurrently.

### ELECTRICAL CHARACTERISTICS (0°C ≤ $T_A$ ≤ 70°C, $V_{CC}$ = 5.0 V, unless otherwise noted.)

Characteristic	Symbol	Min	Typ	Max	Unit
Supply Current (4.75 V ≤ $V_{CC}$ ≤ 5.25 V)	$I_{CC}$	–	60	180	mA
Reset Circuit Threshold	–	4.0	–	4.4	Vdc

### TWISTED PAIR TRANSMITTER

Characteristic	Symbol	Min	Typ	Max	Unit
Output Differential Voltage (See Load Circuits: Differential Load Circuit)	$V_O$				Vpp
Output Differential Voltage with Pre-Emphasis		2.2	2.53	2.8	
Output Differential Voltage		1.56	1.72	1.98	
Common Mode Driver Impedance	$Z_{OCM}$	6.0	8.5	14	Ω
Transmitter Differential Output Impedance	$Z_{OD}$	8.0	15.5	29	Ω

### TX DATA A

Characteristic	Symbol	Min	Typ	Max	Unit
Input High Voltage ( $I_{IH}$ = +20 μA)	$V_{IH}$	3.15	–	5.25	Vdc
Input Low Voltage ( $I_{IL}$ = –150 μA)	$V_{IL}$	0	–	0.8	

### TX DATA B

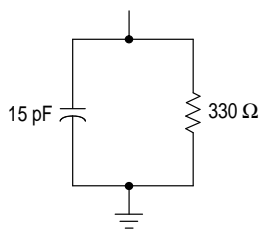
Characteristic	Symbol	Min	Typ	Max	Unit
Input Voltage (See Load Circuits: ECL Load Circuit)					Vdc
High: @ 0°C	$V_{IH}$	0.984 $V_{CC}$ – 0.923	0.984 $V_{CC}$ – 0.763		
@ 25°C		0.984 $V_{CC}$ – 0.877	0.984 $V_{CC}$ – 0.727		
@ 70°C		0.984 $V_{CC}$ – 0.825	0.984 $V_{CC}$ – 0.644		
Low: @ 0°C	$V_{IL}$	0.750 $V_{CC}$ – 0.568	0.750 $V_{CC}$ – 0.361		
@ 25°C		0.750 $V_{CC}$ – 0.550	0.750 $V_{CC}$ – 0.350		
@ 70°C		0.750 $V_{CC}$ – 0.531	0.750 $V_{CC}$ – 0.324		

# MC34055

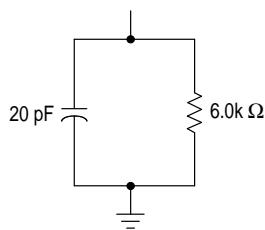
## ELECTRICAL CHARACTERISTICS (0°C ≤ T<sub>A</sub> ≤ 70°C, V<sub>CC</sub> = 5.0 V, unless otherwise noted.)

Characteristic	Symbol	Min	Typ	Max	Unit
<b>TX EN H</b>					
Input High Voltage (I <sub>IH</sub> = 200 μA)	V <sub>IH</sub>	2.0	–	5.0	Vdc
Input Low Voltage (I <sub>IL</sub> = – 20 μA)	V <sub>IL</sub>	0	–	0.8	
<b>RX DATA A/RX EN H/JABB H/CTL H</b>					
Output Voltage (See Load Circuits: CMOS Load Circuit)					Vdc
High (I <sub>OH</sub> = –12 mA)	V <sub>OH</sub>	3.7	–	–	
Low (I <sub>OL</sub> = +16 mA)	V <sub>OL</sub>	–	–	0.5	
<b>RX DATA B</b>					
Output Voltage (See Load Circuits: ECL Load Circuit)					Vdc
High: @ 0°C	V <sub>OH</sub>	0.984 V <sub>CC</sub> – 0.923		0.984 V <sub>CC</sub> – 0.763	
@ 25°C		0.984 V <sub>CC</sub> – 0.877		0.984 V <sub>CC</sub> – 0.727	
@ 70°C		0.984 V <sub>CC</sub> – 0.825		0.984 V <sub>CC</sub> – 0.644	
Low: @ 0°C	V <sub>OL</sub>	0.750 V <sub>CC</sub> – 0.568		0.750 V <sub>CC</sub> – 0.361	
@ 25°C		0.750 V <sub>CC</sub> – 0.550		0.750 V <sub>CC</sub> – 0.350	
@ 70°C		0.750 V <sub>CC</sub> – 0.531		0.750 V <sub>CC</sub> – 0.324	
<b>SIGNAL QUALITY ERROR TEST ENABLE CONTROL (SQE EN L)</b>					
Test Control Voltage					Vdc
Test Disabled (Input High Voltage)(I <sub>IH</sub> = + 20 μA Max.)	V <sub>IH</sub>	2.0	–	5.0	
Test Enabled (Input Low Voltage)(– 50 μA < I <sub>IL</sub> < –150 μA)	V <sub>IL</sub>	0	–	0.8	
<b>FULL DUPLEX MODE SELECT (FULLD L)</b>					
Mode Select Control Voltage					Vdc
Normal Operation (Input High)(I <sub>IH</sub> = + 20 μA)	V <sub>IH</sub>	2.0	–	5.0	
Full Duplex (Input Low)(– 50 μA < I <sub>IH</sub> < –150 μA)	V <sub>IL</sub>	0	–	0.8	
<b>LOOPBACK TEST MODE FUNCTION (LOOP L)</b>					
Test Control Voltage					Vdc
Test Disabled (Input High)(I <sub>IH</sub> = + 20 μA)	V <sub>IH</sub>	2.0	–	5.0	
Test Enabled (Input Low)(I <sub>IL</sub> = – 200 μA)	V <sub>IL</sub>	0	–	0.8	
<b>LINK FAIL STATUS (LINKFL H)</b>					
Status Output Voltage (See Load Circuits: CMOS Load Circuit)					Vdc
Maximum Voltage for Output Low Condition (I <sub>OL</sub> = 20 mA)	V <sub>OH</sub>	–	–	0.5	
Output Low Sink Current	V <sub>OL</sub>	–	–	20	mA
<b>CLOCK OSCILLATOR</b>					
Clk+ Input Logic Threshold					Vdc
High Level Input Voltage (I <sub>IH</sub> = +100 μA Max.)	V <sub>IH</sub>	2.0	–	5.0	
Logic Low Input Voltage (I <sub>IL</sub> = –100 μA Max.)	V <sub>IL</sub>	–	–	0.8	μA
Clk Out Output Voltage (See Load Circuits: CMOS Load Circuit)					Vdc
Logic High (I <sub>OH</sub> = –12 mA)	V <sub>OH</sub>	3.7	3.9	–	
Logic Low (I <sub>out</sub> = +16 μA)	V <sub>OL</sub>	–	0.25	0.5	

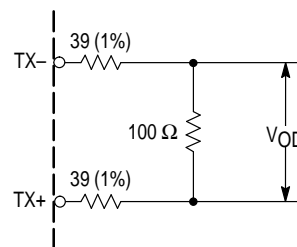
### Output Load Circuits



ECL Load Circuit



TTL/CMOS Load Circuit



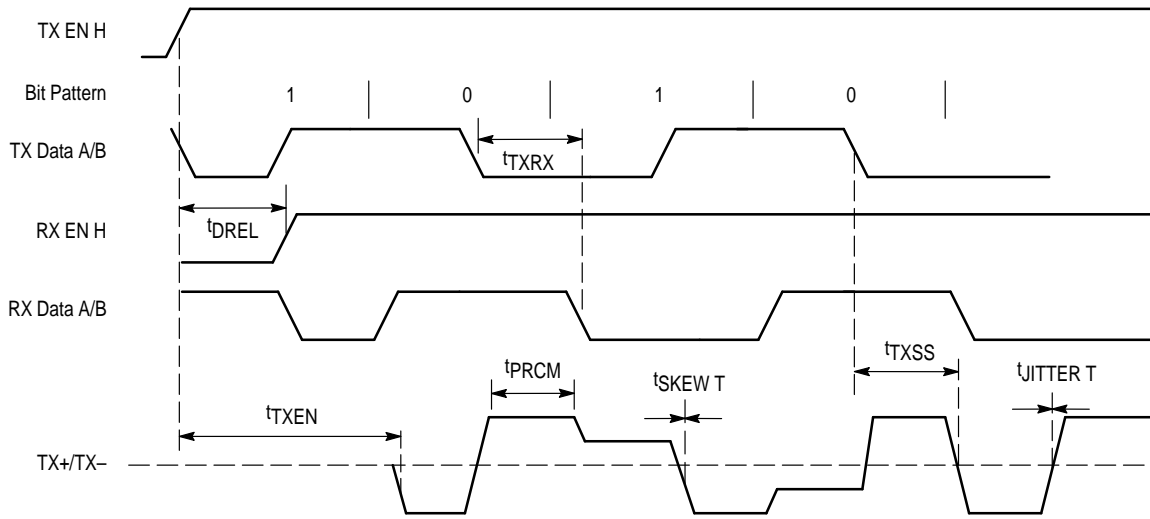
Differential Load Circuit

# MC34055

## TIMING CHARACTERISTICS (0°C ≤ T<sub>A</sub> ≤ 70°C)

Characteristic	Symbol	Min	Typ	Max	Unit
<b>TRANSMIT START TIMING</b>					
TX EN H to TX+/TX- Enable Time	t <sub>TXEN</sub>	–	–	75	ns
TX Data A/B to TX+/TX- Enable Time	t <sub>FDXD</sub>	–	–	75	ns
Steady State Propagation Delay of TX Data A/B to TX+/TX- Output	t <sub>TXSS</sub>	–	–	75	ns
Pre-Emphasis Pulse Width	t <sub>PRCM</sub>	45	–	55	ns
Transmitter Caused Edge Skew Between TX+ and TX-	t <sub>Skew T</sub>	–	–	2.0	ns
Transmitter Added Edge Jitter to TX+/TX- from TX Data A/B	t <sub>Jitter T</sub>	–	–	4.0	ns
Steady-State Delay between the TX Data A/B Input to the RX Data A/B Outputs for Normal Operation	t <sub>TXRX</sub>	–	–	50	ns
TX EN H Assert to RX EN H Assert Under Normal Operation	t <sub>DREL</sub>	–	–	50	ns
<b>TRANSMIT STOP TIMING</b>					
Delay between TX EN H Low and TX+/TX- High	t <sub>TXDH</sub>	–	–	75	ns
TX EN H Assert/De-assert Delay from TX EN H to RX EN H Assert/De-assert	t <sub>XTRE</sub>	–	–	400	ns
End of Packet Hold Time from Last TX Data A/B Edge or TX EN H De-assert	t <sub>TDDC</sub>	250	–	–	ns
<b>LINK BEAT PULSES</b>					
Output Link Test Pulse Width	t <sub>LKPW</sub>	80	–	120	ns
Minimum Link Beat Pulse Duration on RX+/RX-	t <sub>LDCY_A</sub>	80	–	192	ns
<b>LOOP BACK MODE TIMING</b>					
Delay from Loop L Deassertion to RX EN H Driven from TX EN H Status	t <sub>LTRA</sub>	–	–	30	ns
TX EN H Assert/De-assert to RX EN H, Assert/De-assert when in Loop-Back Mode and Receiver Inactive	t <sub>LTRX</sub>	–	–	50	ns
Steady-State TX Data A/B to RX Data A/B when in Loop-Back Mode	t <sub>LTRD</sub>	–	–	50	ns
<b>SMART SQUELCH</b>					
Interval Unit Squelch Deactivation	t <sub>SQ</sub>	–	–	5.0	Bit Times
<b>RECEIVE START TIMING</b>					
Receiver-Added Edge Skew to RX Data A/B Signal	t <sub>Skew R</sub>	–	–	1.5	ns
Receiver-Added Edge Jitter to RX Data A/B Signal	t <sub>Jitter R</sub>	–	–	1.5	ns
Start-Up Delay from RX+/RX- to RX Data A/B	t <sub>RXNE</sub>	–	–	50	ns
Delay from RX EN H Assertion Until RX Data A/B Valid	t <sub>RARE</sub>	-10	–	+10	ns
Steady-State Propagation Delay from RX+/RX- Data A/B	t <sub>RXSS</sub>	–	–	50	ns
<b>RECEIVE SHUTDOWN TIMING</b>					
Last received Data Edge until the RX EN H Output forces low	t <sub>RXDE</sub>	155	–	250	ns

Figure 1. Start Up and Steady State Transmit Timing



www.DataSheet4U.com

Figure 2. Driver Shutdown Timing

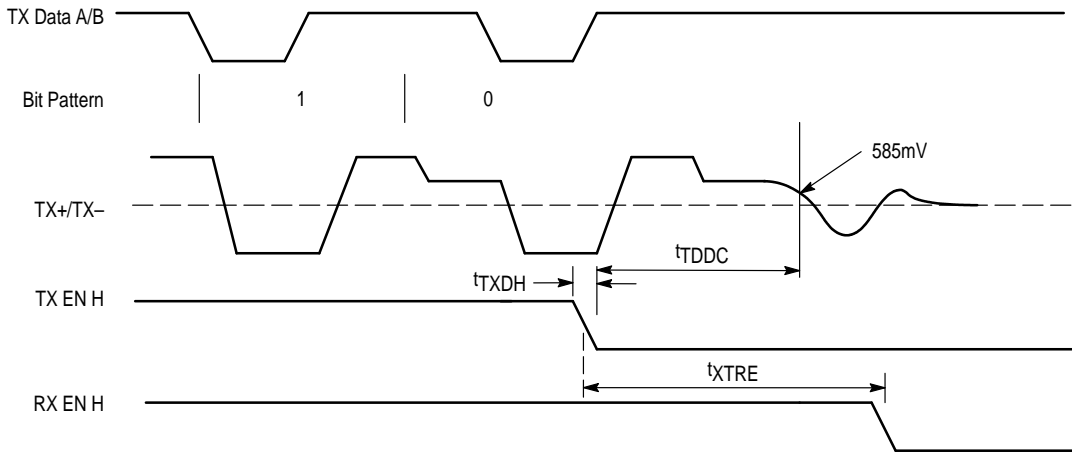


Figure 3. Link Pulse Timing

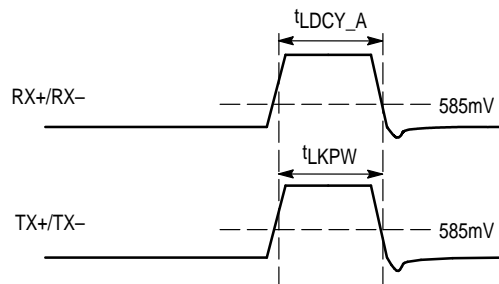
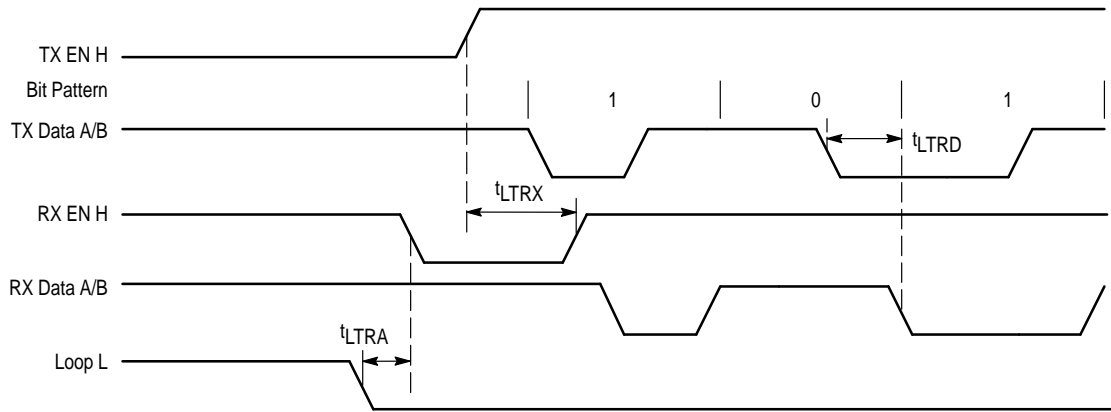


Figure 4. Loop Back Timing



www.DataSheet4U.com

Figure 5. Receive Startup Timing

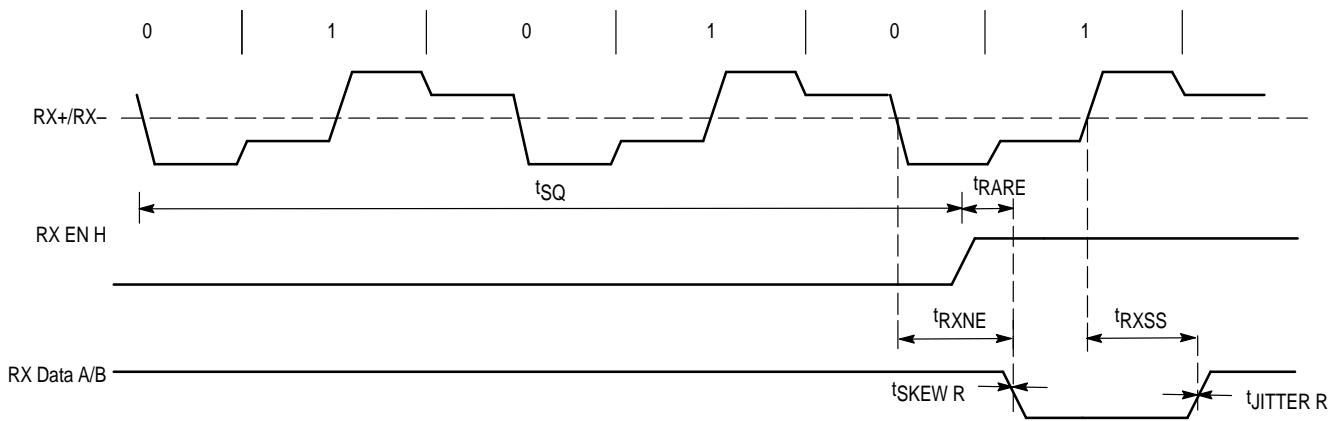
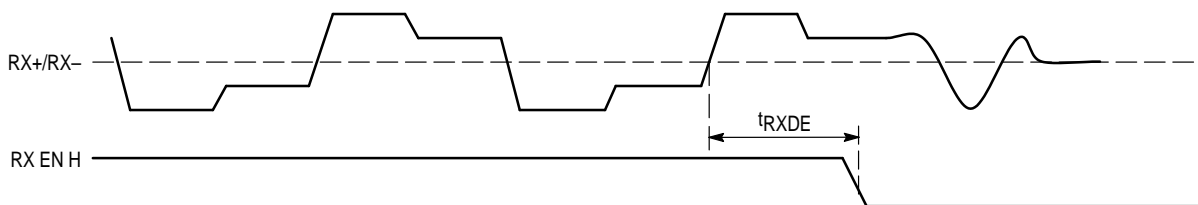


Figure 6. Receive Shutdown Timing



# MC34055

## PIN FUNCTION DESCRIPTION

Pin	Symbol	Description
1	Clk Out	TTL/CMOS buffered 10 MHz clock output. This pin will source 400 $\mu$ A and sink 16 mA.
2	TX Data A	CMOS transmit input pin. Data input at this pin is output to the TP media. The input will source less than 175 $\mu$ A and sink less than 20 $\mu$ A.
3	TX Data B	Raised ECL transmit input pin. Data input at this pin is output to the TP media. The input can source 40 $\mu$ A for a high level input or 70 $\mu$ A for a low level input.
4	TX EN H	TTL/CMOS transmit enable pin. Transmit is enabled when asserted high. The input will source less than 175 $\mu$ A and sink less than 20 $\mu$ A.
5	Dig. Gnd	Digital ground
6	V <sub>CC</sub> (Dig/Ana)	Digital and analog V <sub>CC</sub> . With the current consumed at this pin and Pin 18, the device will consume less than 180 mA at 5.0 Vdc.
7	Ana. Gnd	Analog ground
8	RX Data A	TTL/CMOS received data output pin. Data from the TP media is output at this pin. The output will source 12 mA and sink 16 mA.
9	RX Data B	Raised ECL received data output pin. Data from the TP media is output at this pin.
10	RX EN H	TTL/CMOS received data output enable pin. This pin is asserted after the Smart Squelch circuitry determines that there is valid data at the TP input pins and also when internal loop-back is occurring. The output will source 12 mA and sink 16 mA. The receive data outputs are forced high when this pin is low.
11	Loop L	TTL/CMOS Loopback test select. Asserting this pin causes the transmit data to be looped to the receive circuit while the TP transmit driver sends a link pulse. The input will source less than 175 $\mu$ A and sink less than 20 $\mu$ A.
12	LNKFL H	This pin is driven high to indicate a link fail state. When low, the pin will sink 20 mA to light an LED. An usquelched condition due to valid data on the receive circuit will cause the pin to transition high and low in 100 ms intervals.
13	JABB H	TTL/CMOS Jabber status pin. This pin is asserted when a Jabber condition is detected and will source 12 mA and sink 16 mA.
14	CTL H	TTL/CMOS status pin. This pin pulled high when Jabber or Collision conditions are detected. Also high for a time interval when a Signal Quality Error test is being performed. The pin will source 12 mA and sink 16 mA.
15	RX-	The inverting terminal of the TP differential receiver.
16	RX+	The noninverting terminal of the TP differential receiver.
17	FULLD L	TTL/CMOS duplex mode select. When low, this pin forces the device to operate in full-duplex mode. The input will source less than 175 $\mu$ A and sink less than 20 $\mu$ A.
18	Pwr V <sub>CC</sub>	Power supply pin. With the current consumed at this pin and Pin 6, the device will consume less than 180 mA at 5.0 Vdc.
19	Pwr Gnd	Power ground pin.
20	TX-	The inverting terminal of the TP differential driver.
21	TX+	The noninverting terminal of the TP differential driver.
22	SQE EN L	TTL/CMOS Signal Quality Error test enable pin. Pulling this pin low allows test of the collision detect circuitry without affecting the twisted pair channel. The input will source less than 175 $\mu$ A and sink less than 20 $\mu$ A.
23	Clk-	TTL/CMOS clock oscillator pin. See Pin 24.
24	Clk+	TTL/CMOS clock oscillator pin. This pin is used with Pin 23 if the internal oscillator is to be free run with a crystal. The oscillator can also be directly driven with a TTL/CMOS clock signal at this pin. The oscillator frequency should be 10 MHz with a duty cycle of 50 $\pm$ 20%.

# MC34055

## FUNCTIONAL DESCRIPTION

### Introduction

The Motorola 10BASE-T transceiver, designed to comply with the ISO 8802-3[IEEE 802.3] 10BASE-T specification, will support one Medium Dependent Interface (MDI) through standard 10BASE-T filters and transformers. Although the device is capable of being used in embedded or external Medium Attachment Units (MAU), it was primarily designed for use in repeater or hub applications. For this reason a digital interface is provided rather than an AUI interface. This interface is TTL, CMOS, and raised ECL compatible and allows for easy connection in hub applications.

Other features of the MC34055 include: select mode pins of forcing Loop-Back and Full-Duplex operation; a Signal Quality Error pin for testing the collision detect circuitry without affecting the twisted pair output; and LED drivers for Link Integrity status; Collision detection; and Jabber detection. An on chip oscillator, capable of receiving a clock input or operating under crystal control, is also provided for internal timing and driving a buffered clock output.

### Data Transmission

For data intended for the twisted pair, the MC34055 has two data inputs, TX Data A and TX Data B. TX Data A is CMOS compatible and TX Data B is raised ECL compatible.

The inputs were not intended to be used simultaneously in a single application and are internally logically combined. The unused input should be disabled by connection to  $V_{CC}$ .

When data transmission is intended, the MC34055 detects the first falling edge of the Manchester encoded frame at the input being used, synchronizes the on chip oscillator (Pins 23 and 24) and asserts the twisted pair driver output to full differential amplitude within 25 ns if the driver enable pin (TX EN H) is previously asserted. Also, since twisted pair attenuates a 10 MHz signal more than a 5.0 MHz signal the 10BASE-T standard requires that data applied to the twisted pair receive pre-equalization. To fulfill this requirement the MC34055 provides an additional 730 mV for approximately 50 ns to output data. This is accomplished over the single pair of differential driver pins. TX+ and TX-, and effectively equalizes the power of all data components at the receiver. Figure 7A shows a 10 MHz waveform. Figure 7B shows the effect of pre-emphasis on a 5.0 MHz waveform. Manchester encoded data with the pattern shown in Figure 7A would represent a repeating pattern of zeros (000000...). Figure 7B would represent an alternating pattern of ones and zeros (0101010...).

Figure 7A. 10 MHz Waveform on Differential Outputs

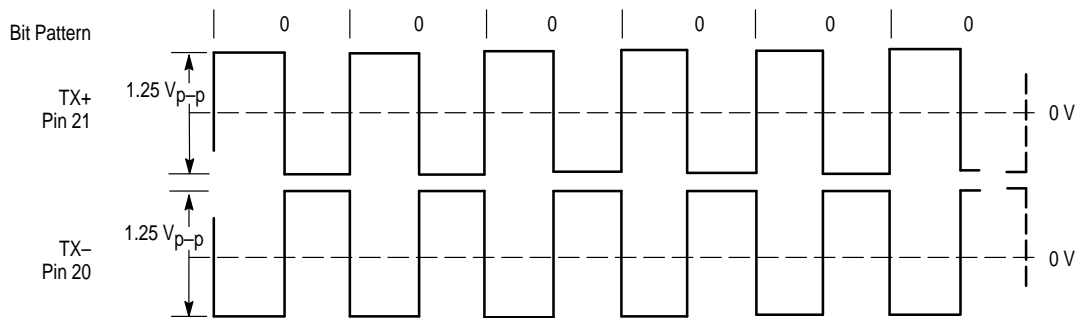
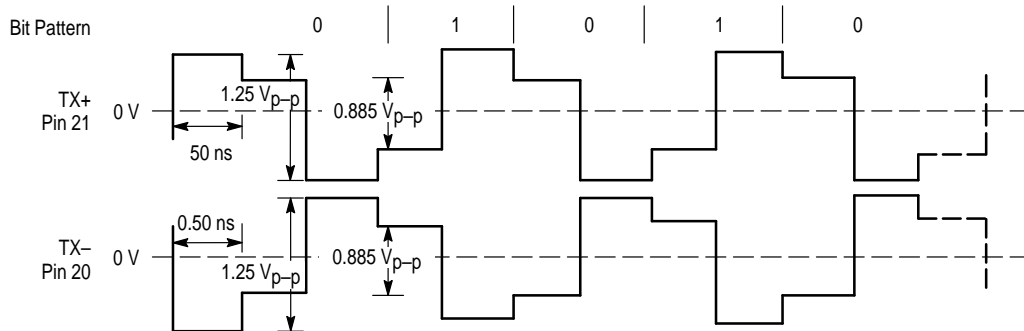


Figure 7B. 5.0 MHz Waveform on Differential Outputs





## MC34055

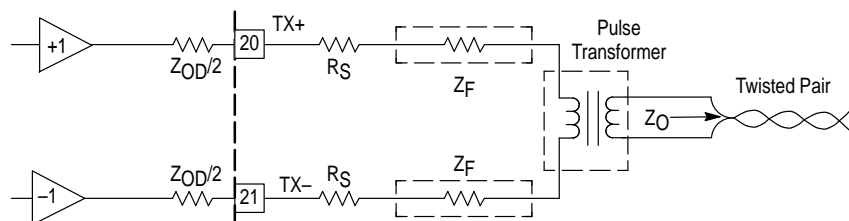
The figures show the voltage waveforms on the differential driver output pins. To actually meet the 10BASE-T specification requires bandpass filtering and a pulse transformer.

The output voltage waveform specifications of the IEEE 802.3 standard require that voltages impressed on the twisted pair meet a voltage template. The MC34055 can meet the voltage template for all the 10BASE-T applications

initiated. In this event, the transmit differential driver will remain active for the entire frame interval and the link pulse will not affect more than one bit interval.

The MC34055 also has Jabber circuitry to detect and disable the twisted pair driver in the event that a serial controller fails constantly transmitting. Should any data source try to transmit longer than 20 ms minimum, the Jabber function will disable the differential driver outputs, the

**Figure 8. Differential Driver Media Interface Circuitry**



Where:  $Z_{OD}$  is the transmitters differential output impedance ( $\sim 20 \Omega$ ),  
 $R_S$  is a 1% series resistor,  
 $Z_F$  is the filters impedance, and  $Z_O$  is the characteristic impedance of the twisted pair ( $100 \Omega$ ).

by choosing the appropriate low pass filter and external components in the driver output circuitry. When the differential transmit driver output pins are configured to drive the bandpass filters and pulse transformer as shown in Figure 8, the resultant waveform is capable of meeting the voltage template.

Following the end-of-frame activity, an internal pull-up resistor pulls TX Data A/B high and causes the differential driver to maintain full differential output voltage for approximately 250 ns. The differential driver interprets the lack of transition activity as an end of frame and starts an idle timer. Should another frame intended for the twisted pair arrive before the idle timer expires ( $\sim 250$  ns), the idle timer will be reset, if not, the transmit driver function will begin the decay to idle process. During idle periods the differential driver must force the media to a minimal differential voltage unless a link beat is being produced. The transition to minimal voltage is subject to performance requirements in the IEEE specification and is met by the MC34055 when the appropriate filters and transformers are used to interface to the media.

The MC34055 differential driver generates link pulses (beats) during idle periods. The link pulses produced are singular positive (TX+ positive with respect to TX-) pulses applied to the media at 16 ms intervals and last approximately 100 ns. The link pulses allow the receiver at the other end of the link to verify the validity of the segment. There is the possibility, due to the two asynchronous sources, that one of the two input pins (TX Data A or TX Data B) will receive frame activity immediately after a link pulse is

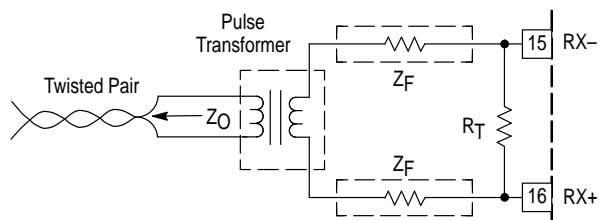
collision presence detector and the internal loopback function. Also, two status indicator pins, CTL H and JABB H are asserted. The MC34055 will remain in the jabber state until the TX EN H pin is pulled low or the jabbering input ceases to toggle for a minimum of 500 ms. The status indicator pins, CTL H and JABB H will also sink up to 20 mA and can therefore support external LEDs.

The driver also works with the receiver to provide loop-back. Under normal operating conditions (Loop L= "1"), the data applied to the TX Data A/B pins is looped back internally to the RX Data A/B pins. This function is disabled when there is a collision condition or FULLD L is low.

### Data Reception

Data intended for the DTE proceeds from the twisted pair to the isolation transformer and bandpass filters before reaching the differential receiver terminals. Figure 9 shows the configuration of the external media receive circuitry. Once transitions at the receiver terminals (RX+ and RX-) are detected, the on-chip oscillator is synchronized and the received data is screened by smart squelch circuitry for validity. This qualification requires incoming data to meet amplitude and sequence requirements. If the data meets the Smart Squelch requirements, the receiver enters the unsquelch state and the data is forwarded to the RX Data A/B output pins provided Loop L is not low. Two data outputs are provided to increase design flexibility, RX Data A and RX Data B. RX Data A is CMOS/TTL compatible and RX Data B is raised ECL compatible.

Figure 9. Differential Receiver Media Interface Circuitry



Where:  $R_T$  is a terminating resistor (100  $\Omega$ ),  
 $Z_F$  is the filter's impedance, and  $Z_0$  is the  
characteristic impedance of the twisted pair (100  $\Omega$ ).

The MC34055 powers up in a squelched and "link OK" state, after which minimum and maximum link test and maximum link fail timers are started. If valid data or a link pulse is received after the link test minimum timer but before the link fail maximum timer times out, the timers are reset and begin counting again. In the event of missing or incorrect link pulses, the MC34055 enters the link fail state whereby the LNKFL H status pin is asserted until valid data or link pulse activity appears at the receiver terminals.

Powering up in the squelched state assures that the data path to the data output pin (RX Data A/B) is disabled, and prevents noise at the receiver terminals (RX+/RX-), from being interpreted as valid input data. Once transitions appear at the receiver terminals, the smart squelch circuitry checks for the smart squelch requirements to unsquelch; an alternating sequence (1010... or 0101...) of pulses with amplitude of at least 525 mV. This requirement is met by the preamble of an IEEE 802.3 frame with good signal to noise ratio.

After a pulse is received and checked for proper polarity and amplitude, the pulse width is checked for proper duration. If the duration is too short or too long the smart squelch circuitry resets and begins to look again for a proper sequence. By requiring the differential pulses to meet amplitude and sequence requirements, it is unlikely that pulses due to crosstalk from co-resident twisted pairs are capable of causing the receiver to unsquelch. If a positive pulse is received first and the differential driver is not transmitting, the receiver should unsquelch after three alternating pulses. If a negative pulse is received first, one additional pulse is required before unsquelch. If the

differential driver is transmitting, three additional pulses are required to unsquelch.

After meeting the smart squelch requirements, the MC34055 will pull high the RX EN H pin and enable the path to the receive data pin (RX Data A/B) provided the MC34055 is not in the loop back test mode (Loop L low). If the receiver unsquelches, the receive enable pin remains high and the data path to the receive data pin remains enabled until transitions cease to exist at the receiver terminals. Valid data reception is also indicated by high/low transitions of the LNKFL H pin at 100 ms intervals. When transitions at the differential terminals cease, marking the end of frame activity, the receiver re-enters the squelch state, pulls low on the RX EN H pin, and begins accepting valid link pulses until the start of the next 802.3 frame.

If the MC34055 is requested to begin transmitting (TX EN H is asserted), and the receiver unsquelches simultaneously, there is a collision. Also, if the MC34055 driver enable pin is previously asserted and the receiver detects valid transition activity, the receiver Smart Squelch circuitry verifies the possibility of collision by requiring three extra transitions at the differential receiver before the unsquelch condition is reached. If unsquelch occurs, a collision condition exists. During all collision conditions the MC34055 asserts the CTL H status pin for the duration of the condition and for a time after the end of collision.

During a collision condition the receive and transmit paths are still both enabled allowing transparency to the media. Either the presence of simultaneous transmit and receive activity or the condition of the CTL H status pin can be used by the communications controller to acknowledge and react to the collision. In applications where a 10 MHz collision signal is required by an SIA, the combination of this status pin and the clock oscillator output can be logically combined to provide a 10 MHz output. If the DTE reacts to the collision and ceases transmitting, the MC34055 will decay to idle until a re-transmit is attempted.

### Crystal Oscillator

The MC34055 has an on-chip clock oscillator used to provide a reliable and accurate time reference to all the internal timers. The oscillator can be run with a crystal or driven at Pin 24 from an external clock source. Also provided is a buffered clock output which is useful if the MC34055 is to be used in a repeater or concentrator application.

**Table 1. The crystal used in the oscillator is subject to the following specifications.**

Crystal Operating Mode	Fundamental
Crystal Cut Type	AT
Crystal External Shunt Capacitance	7.0 pF Max
Crystal Resonant Mode	Series
Crystal Accuracy	$\pm 0.01\%$ @ 25°C
Crystal Temperature Variance	0.005% from 0° to 70°C
Crystal Series Resistance	25 $\Omega$ Max, 17 $\Omega$ Typical
Crystal Operating Temperature Range	0° to 70°C

**LOOP L Test Mode**

If the Loop L pin is low, the MC34055 is in a test mode whereby the data at the input pin (TX Data A/B) is being looped back internally to the receive data pin (RX Data A/B). In this mode the data path from the differential receiver terminals to the receive data output pins (RX Data A/B) is disconnected while the Smart Squelch functionality of the differential receiver is still operational. This test mode allows the DTE to test the MC34055 internal loop back circuitry since the data is looped back to the receive circuitry as close to the twisted pair interface as possible.

**Signal Quality Error Test**

The MC34055 also provides the ability to test the collision detect circuitry without disabling either of the data paths. By pulling the SQE EN L pin low, a collision test is provided to the collision detect circuitry immediately following the last edge of a transmitted 802.3 frame. The test verifies the operability of the collision detect circuitry, operability is announced by the assertion of the CTL H pin for a period following a valid data transmission.

**Jabber Detection**

The transmit circuitry of the MC34055 has the ability to monitor and shut down the differential driver in the event of a jabber condition. If transmission activity ever exceeds 20 ms

minimum, the differential driver, the collision detect, and internal loop back circuits are disabled. To announce the presence of a jabber condition, both the CTL H and the JABB H status output pins are asserted. In order to end the jabber condition, the TX Data A/B input must stop toggling, or the TX EN H pin must be pulled low for a minimum of 500 ms. The status output pins have the ability to drive an external led and were added to facilitate network manageability. The jabber status outputs will not assert during power up or power down.

**Full Duplex Mode**

The MC34055 can be operated in a full-duplex mode if required. When the FULLD L pin is pulled low the device will enter the full duplex mode. This mode allows the transmitter and driver to operate independently. Collision will not be announced and the internal loop back operation is disabled. The Signal Quality Error test, however, is still operational if enabled.

**Status Pins**

The MC34055 has three status indicator pins capable of sourcing or sinking enough current to support an external LED. Status pin levels ("1" or "0") report the condition of the transceiver. Table 2 shows the combinations and significance.

**Table 2**

Status Pin			Condition
JABB H	CTL H	LNKFL H	
"0"	"1"	X	Collision condition or Signal Quality Error test.
"1"	"1"	X	Jabber condition
X	X	"0"	Link Failure. Incorrect or nonexistent link pulses, or lack of data at the receiver terminals.
X	X	"1"	Link "OK". Receiving link pulses.
X	X	"0101..."	Link "OK". Receiving valid data.

**Test Select Pins**

The MC34055 has three operation mode test select pins, Loop L, SQE EN L and FULLD L. The level of the pin

determines the mode of operation. Table 3 shows the levels and corresponding conditions of the status pins.

**Table 3**

Pin	Status	Condition
Loop L	"1"	Normal operating mode. Loop back occurs when the transmitter initiates and the receiver is receiving link pulses. The RX EN H pin follows the TX EN H pin and the transmit data appears on the RX Data A/B output pin being used.
	"0"	Loop back test mode. The transmit circuit is looped back internally as close to the differential receive circuit as possible. In this mode the RX EN H pin follows the TX EN H pin and the transmit data appears on the RX Data A/B output pin being used. Any received data other than link pulses are ignored and the receiver will not unsquelch or announce collision.
SQE EN L	"0"	Normal operating mode. Concurrent transmit and receive activity results in a collision condition.
	"1"	Test enabled. An internal test is run on the collision circuitry and the CTL H pin is asserted for a time window following the last positive packet edge. Data transmission and reception is undisturbed.
FULLD L	"1"	Normal operating mode. Internal loop-back is operable and collision is announced.
	"0"	Internal loop-back is disabled and collision will not be announced. Signal Quality Error test is still operable.

## APPLICATIONS INFORMATION

The MC34055 implements the physical layer of a 10BASE-T application of IEEE 802.3. It provides the physical connection to the media (twisted pair) and the services required by the MAC sublayer of the Data Link Layer. Two interfaces are defined in the IEEE 802.3 specification of the physical layer; one is the MDI providing connection to the twisted pair; and the other is the AUI providing connection to the encoder/decoder function of the Data Link Layer. While the MC34055 provides the connection to the twisted pair, a CMOS and raised ECL interface is provided instead of an AUI.

The MC34055 implements the twisted pair interface of the physical layer in a 802.3 10BASE-T application but circuitry must be added if an AUI is desired, (see Figure 10 for suggested schematic). For example, an external MAU application requires the AUI and a twisted pair interface. A chip capable of realizing the AUI interface is the Texas Instruments SN75ALS085. This IC has an AUI interface and another interface which is compatible with the MC34055. The differential input of the 75ALS085 can be used for the TX+/TX- terminals of the AUI. The differential drivers of the 75ALS085 can be used as the RX+/RX- and the COL+/COL- terminals of the AUI. The other interface of the 75ALS085 then will interface to the MC34055 by three paths

shown in the application suggestion. The application accounts for all the inputs/outputs of an external MAU.

Embedded applications do not require a full AUI and a MC10116 can be used to interface between the raised ECL interfaces of the MC34055 and the AUI of existing encoder/decoder chips. The MC10116 is a MECL 10k Triple Line Receiver with typical propagation delay and rise and fall times (20% to 80%) of 2.0 ns. Figure 11 shows the use of the MC10116 with the MC34055 and the AMD 7992 SIA.

In a multi-port repeater, or hub, a port is required for each DTE connected to the IEEE 802.3 network. This port consists of two connections, one for the TX+/TX- pair and another for the RX+/RX- pair. The repeater unit then multiplexes these lines so that all of the stations are capable of transmitting to or receiving from all the other stations on the network. This establishes the need for a transceiver without an AUI interface. If an AUI is present with each 10BASE-T transceiver, chip count is increased because there is a requirement to convert from balanced to unbalanced lines before multiplexing.

An application suggestion for the use of the MC34055 used in a multiport repeater is shown in Figure 6. Here the receive and transmit lines for the 10BASE-T transceivers are multiplexed by the hub hardware.

Figure 10. External MAU Application

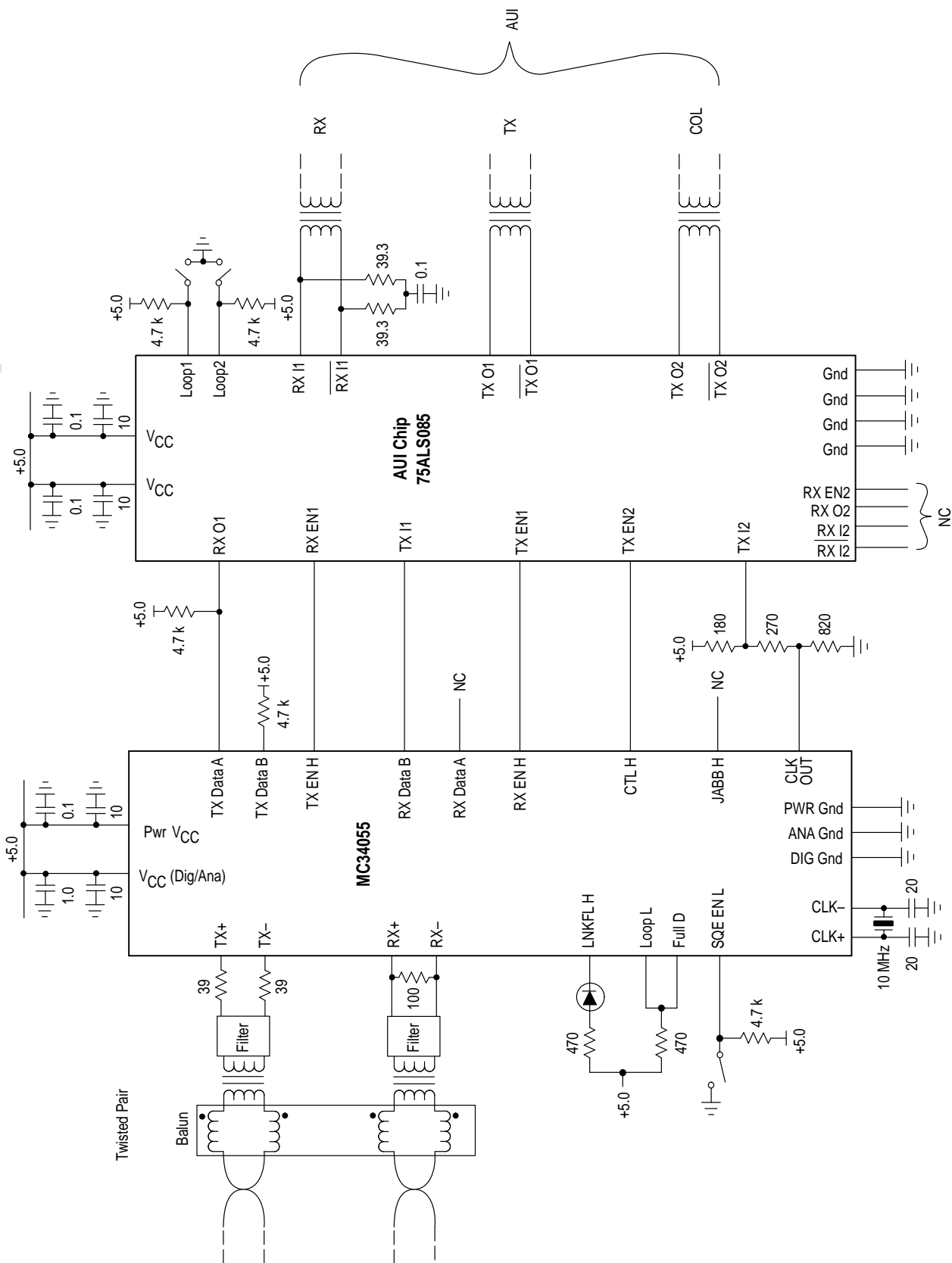


Figure 11. Internal MAU Application

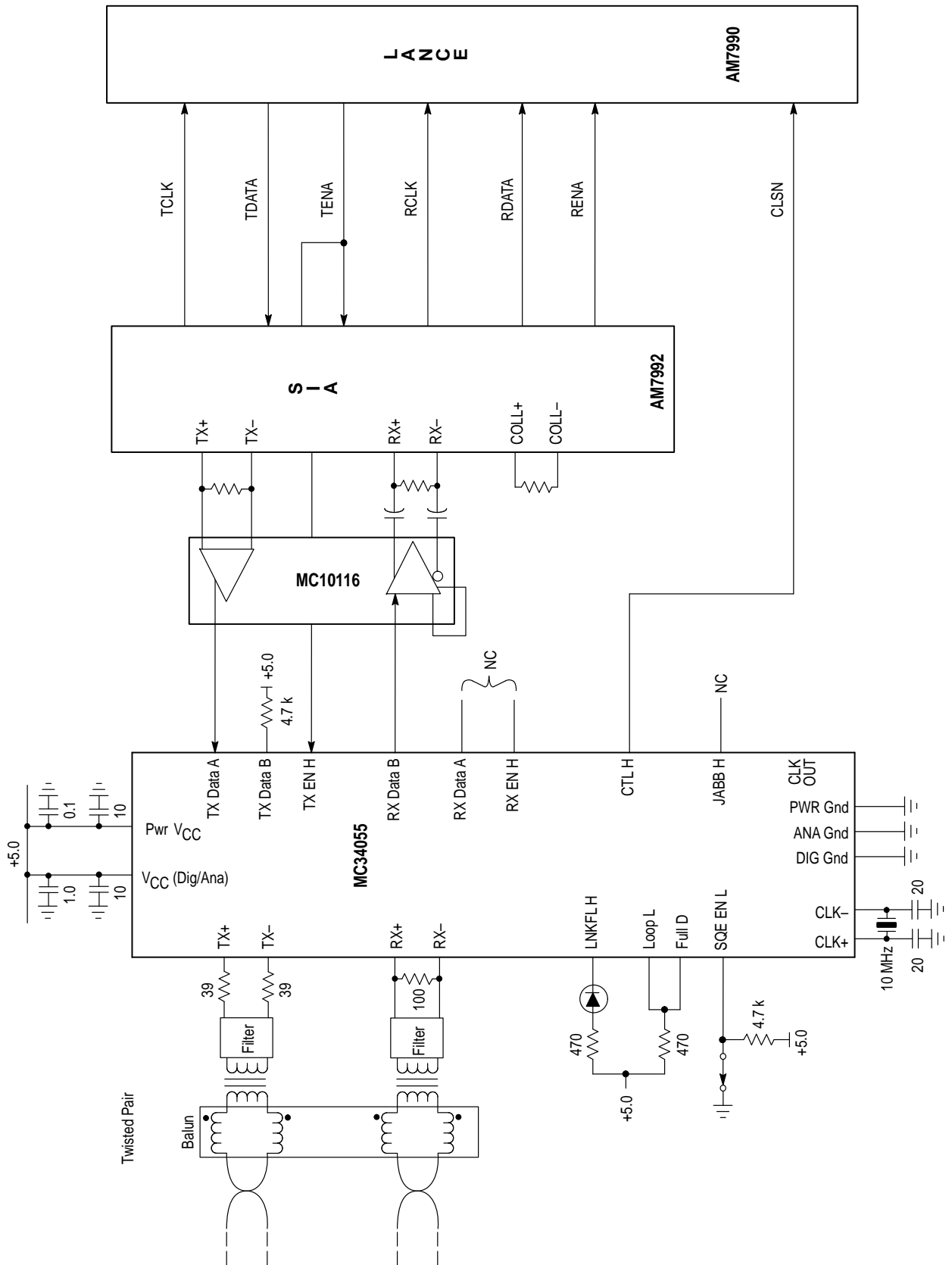
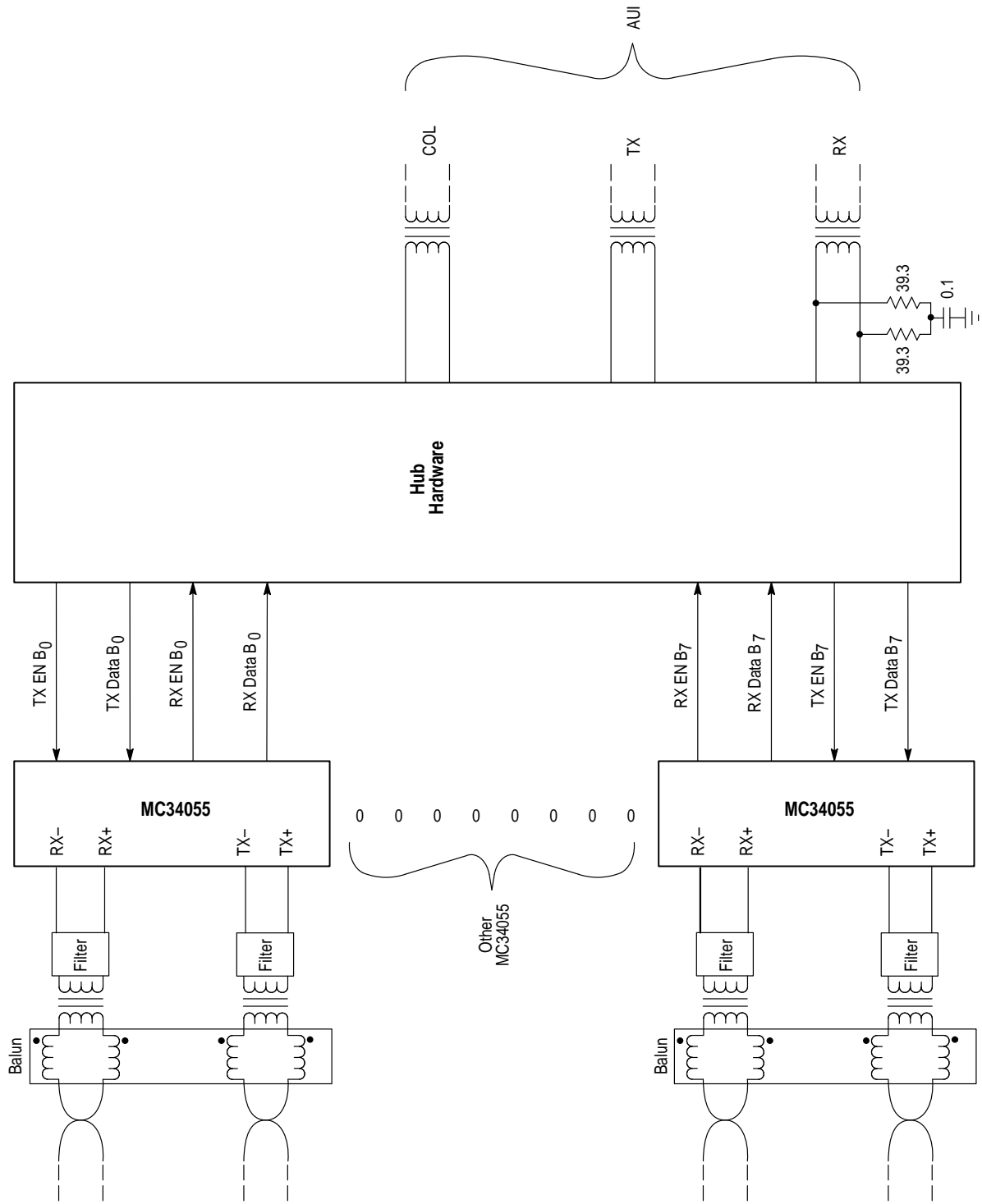


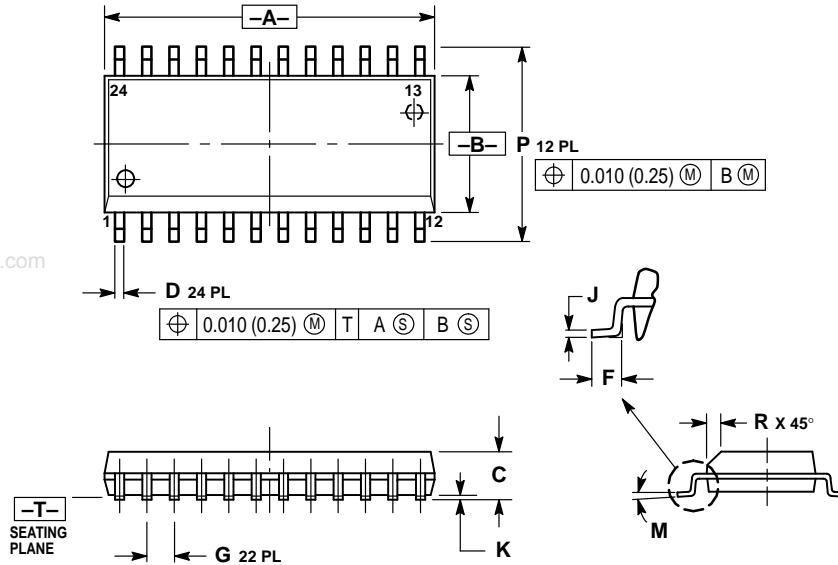
Figure 12. 10BASE-T Concentrator Application



# MC34055

## OUTLINE DIMENSIONS

**DW SUFFIX**  
**PLASTIC PACKAGE**  
**CASE 751E-04**  
**(SO-24L)**



**NOTES:**

1. DIMENSIONING AND TOLERANCING PER ANSI Y14.5M, 1982.
2. CONTROLLING DIMENSION: MILLIMETER.
3. DIMENSIONS A AND B DO NOT INCLUDE MOLD PROTRUSION.
4. MAXIMUM MOLD PROTRUSION 0.15 (0.006) PER SIDE.
5. DIMENSION D DOES NOT INCLUDE DAMBAR PROTRUSION. ALLOWABLE DAMBAR PROTRUSION SHALL BE 0.13 (0.005) TOTAL IN EXCESS OF D DIMENSION AT MAXIMUM MATERIAL CONDITION.

DIM	MILLIMETERS		INCHES	
	MIN	MAX	MIN	MAX
A	15.25	15.54	0.601	0.612
B	7.40	7.60	0.292	0.299
C	2.35	2.65	0.093	0.104
D	0.35	0.49	0.014	0.019
F	0.41	0.90	0.016	0.035
G	1.27 BSC		0.050 BSC	
J	0.23	0.32	0.009	0.013
K	0.13	0.29	0.005	0.011
M	0°	8°	0°	8°
P	10.05	10.55	0.395	0.415
R	0.25	0.75	0.010	0.029

Motorola reserves the right to make changes without further notice to any products herein. Motorola makes no warranty, representation or guarantee regarding the suitability of its products for any particular purpose, nor does Motorola assume any liability arising out of the application or use of any product or circuit, and specifically disclaims any and all liability, including without limitation consequential or incidental damages. "Typical" parameters which may be provided in Motorola data sheets and/or specifications can and do vary in different applications and actual performance may vary over time. All operating parameters, including "Typicals" must be validated for each customer application by customer's technical experts. Motorola does not convey any license under its patent rights nor the rights of others. Motorola products are not designed, intended, or authorized for use as components in systems intended for surgical implant into the body, or other applications intended to support or sustain life, or for any other application in which the failure of the Motorola product could create a situation where personal injury or death may occur. Should Buyer purchase or use Motorola products for any such unintended or unauthorized application, Buyer shall indemnify and hold Motorola and its officers, employees, subsidiaries, affiliates, and distributors harmless against all claims, costs, damages, and expenses, and reasonable attorney fees arising out of, directly or indirectly, any claim of personal injury or death associated with such unintended or unauthorized use, even if such claim alleges that Motorola was negligent regarding the design or manufacture of the part. Motorola and are registered trademarks of Motorola, Inc. Motorola, Inc. is an Equal Opportunity/Affirmative Action Employer.

**How to reach us:**

**USA/EUROPE/Locations Not Listed:** Motorola Literature Distribution;  
 P.O. Box 20912; Phoenix, Arizona 85036. 1-800-441-2447 or 602-303-5454

**JAPAN:** Nippon Motorola Ltd.; Tatsumi-SPD-JLDC, 6F Seibu-Butsuryu-Center,  
 3-14-2 Tatsumi Koto-Ku, Tokyo 135, Japan. 03-81-3521-8315

**MFAX:** RMFAX0@email.sps.mot.com – TOUCHTONE 602-244-6609  
**INTERNET:** http://Design-NET.com

**ASIA/PACIFIC:** Motorola Semiconductors H.K. Ltd.; 8B Tai Ping Industrial Park,  
 51 Ting Kok Road, Tai Po, N.T., Hong Kong. 852-26629298

