



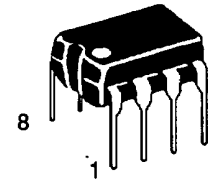
**MOTOROLA**

Product Preview

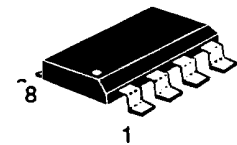
# Telephone tone ringer

- Complete telephone bell replacement circuit with minimum external components.
- Direct drive for piezoelectric transducers.
- Push pull output stage for greater output power capability.
- Tone output frequency adjustable, 500Hz to 2,000Hz
- Warble frequency adjustable, 6Hz to 25Hz
- Input impedance signature meets Bell and EIA standards.
- Reject rotary dial transients.

**MC34117**

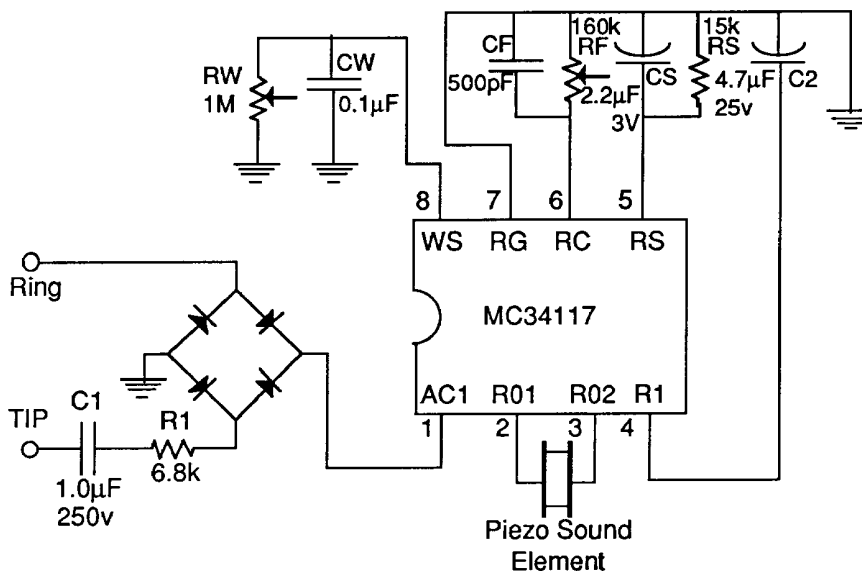


**P suffix**  
Plastic package  
Case 626-04



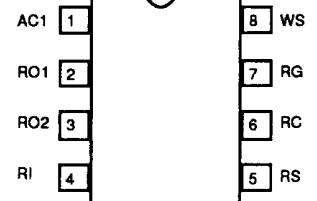
**D suffix**  
Plastic package  
Case 751A-01

### APPLICATION CIRCUIT



RW: Warble frequency adjust resistor  
RF: Fundamentalfrequency adjust resistor

### PIN ASSIGNMENT



**Ordering information**  
MC34117P Plastic DIP  
MC34117D SOIC