

# MC3486 Quadruple Differential Line Receiver with 3-State Outputs

## 1 Features

- Meets or exceeds the requirements of ANSI standards EIA/TIA-422-B and EIA/TIA-423-B and ITU Recommendations V.10 and V.11
- 3-State, TTL-compatible outputs
- Fast transition times
- Operates from single 5-V supply
- Designed to be interchangeable with Motorola™ MC3486

## 2 Applications

- Motor drives
- Factory automation and control

## 3 Description

The MC3486 is a monolithic quadruple differential line receiver designed to meet the specifications of ANSI Standards TIA/EIA-422-B and TIA/EIA-423-B and ITU Recommendations V.10 and V.11. The MC3486 offers four independent differential-input line receivers that have TTL-compatible outputs. The outputs utilize 3-state circuitry to provide a high-impedance state at any output when the appropriate output enable is at a low logic level.

The MC3486 is designed for optimum performance when used with the MC3487 quadruple differential line driver. It is supplied in a 16-pin package and operates from a single 5-V supply.

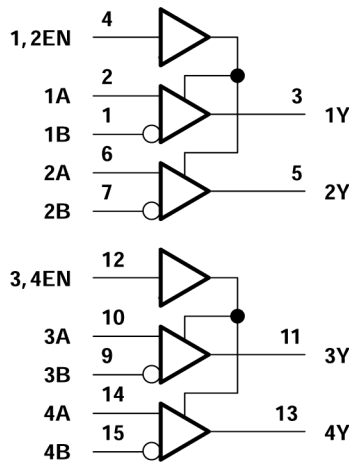
The MC3486 is characterized for operation from 0°C to 70°C.

### Package Information

| PART NUMBER | PACKAGE <sup>(1)</sup> | PACKAGE SIZE <sup>(2)</sup> |
|-------------|------------------------|-----------------------------|
| MC3486      | D (SOIC, 16)           | 19.3 × 9.4 mm               |
|             | N (PDIP, 16)           | 19.3 × 9.4 mm               |
|             | NS (SOP, 16)           | 10.2 mm × 7.8 mm            |

(1) For more information, see [Section 10](#).

(2) The package size (length × width) is a nominal value and includes pins, where applicable.



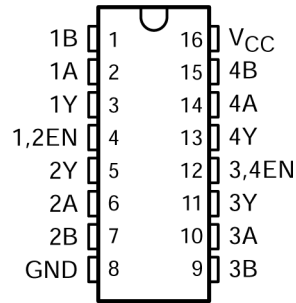
Logic Diagram (Positive Logic)



## Table of Contents

|  |   |  |   |
|--|---|--|---|
| <b>1 Features</b> .....                          | 1 | <b>7 Detailed Description</b> .....                              | 8 |
| <b>2 Applications</b> .....                      | 1 | 7.1 Device Functional Modes.....                                 | 8 |
| <b>3 Description</b> .....                       | 1 | <b>8 Device and Documentation Support</b> .....                  | 9 |
| <b>4 Pin Configuration and Functions</b> .....   | 3 | 8.1 Receiving Notification of Documentation Updates.....         | 9 |
| <b>5 Specifications</b> .....                    | 4 | 8.2 Support Resources.....                                       | 9 |
| 5.1 Absolute Maximum Ratings.....                | 4 | 8.3 Trademarks.....  | 9 |
| 5.2 Recommended Operating Conditions.....        | 4 | 8.4 Electrostatic Discharge Caution.....                         | 9 |
| 5.3 Thermal Resistance Characteristics.....      | 4 | 8.5 Glossary.....  | 9 |
| 5.4 Electrical Characteristics.....              | 5 | <b>9 Revision History</b> .....                                  | 9 |
| 5.5 Switching Characteristics.....               | 5 | <b>10 Mechanical, Packaging, and Orderable Information</b> ..... | 9 |
| <b>6 Parameter Measurement Information</b> ..... | 6 |  |   |

## 4 Pin Configuration and Functions



**Figure 4-1. D, N, or NS Package  
(Top View)**

**Table 4-1. Pin Functions**

| PIN             |     | TYPE <sup>(1)</sup> | DESCRIPTION   |
|-----------------|-----|---------------------|---|
| NAME            | NO. |                     |   |
| 1B              | 1   | I                   | Channel 1 Differential Receiver Inverting Input     |
| 1A              | 2   | I                   | Channel 1 Differential Receiver Non-Inverting Input |
| 1Y              | 3   | O                   | Channel 1 Single Ended Output                       |
| 1,2 EN          | 4   | I                   | Active High Enable for Channels 1 and 2             |
| 2Y              | 5   | O                   | Channel 2 Single Ended Output                       |
| 2A              | 6   | I                   | Channel 2 Differential Receiver Non-Inverting Input |
| 2B              | 7   | I                   | Channel 2 Differential Receiver Inverting Input     |
| GND             | 8   | GND                 | Device GND  |
| 3B              | 9   | I                   | Channel 3 Differential Receiver Inverting Input     |
| 3A              | 10  | I                   | Channel 3 Differential Receiver Non-Inverting Input |
| 3Y              | 11  | O                   | Channel 3 Single Ended Output                       |
| 3,4 EN          | 12  | I                   | Active High Enable for Channels 3 and 4             |
| 4Y              | 13  | O                   | Channel 4 Single Ended Output                       |
| 4A              | 14  | I                   | Channel 4 Differential Receiver Non-Inverting Input |
| 4B              | 15  | I                   | Channel 4 Differential Receiver Inverting Input     |
| V <sub>CC</sub> | 16  | PWR                 | Device VCC (4.75 V to 5.25 V)                       |

(1) Signal Types: I = Input, O = Output, I/O = Input or Output.

## 5 Specifications

### 5.1 Absolute Maximum Ratings

over operating free-air temperature range (unless otherwise noted)<sup>(1)</sup>

|                                |  | MIN | MAX | UNIT |
|--------------------------------|--|-----|-----|------|
| $V_I$                          | Input voltage (A or B inputs)                                |     | ±15 | V    |
| $V_{ID}$ (see <sup>(2)</sup> ) | Differential input voltage                                   |     | ±25 | V    |
|                                | Enable input voltage   |     | 8   | V    |
| $I_{OL}$                       | Low-level output current                                     |     | 50  | mA   |
|                                | Lead temperature 1,6 mm (1/16 inch) from case for 10 seconds |     | 260 | °C   |
| $T_{stg}$                      | Storage temperature range                                    | –65 | 150 | °C   |

- (1) Stresses beyond those listed under “absolute maximum ratings” may cause permanent damage to the device. These are stress ratings only, and functional operation of the device at these or any other conditions beyond those indicated under “recommended operating conditions” is not implied. Exposure to absolute-maximum-rated conditions for extended periods may affect device reliability.
- (2) Differential-input voltage is measured at the noninverting input with respect to the corresponding inverting input.

### 5.2 Recommended Operating Conditions

|          |                                 | MIN  | NOM | MAX  | UNIT |
|----------|---------------------------------|------|-----|------|------|
| $V_{CC}$ | Supply voltage                  | 4.75 | 5   | 5.25 | V    |
| $V_{IC}$ | Common-mode input voltage       |      |     | ±7   | V    |
| $V_{ID}$ | Differential input voltage      |      |     | ±6   | V    |
| $V_{IH}$ | High-level enable input voltage | 2    |     |      | V    |
| $V_{IL}$ | Low-level enable input voltage  |      |     | 0.8  | V    |
| $T_A$    | Operating free-air temperature  | 0    |     | 70   | °C   |

### 5.3 Thermal Resistance Characteristics

| THERMAL METRIC <sup>(1)</sup> |  | D (SOIC) | N (PDIP) | NS (SOP) | UNIT |
|-------------------------------|--|----------|----------|----------|------|
|                               |  | 16-PINS  |          |          |      |
| $R_{\theta JA}$               | Junction-to-ambient thermal resistance       | 84.6     | 60.6     | 88.5     | °C/W |
| $R_{\theta JC(top)}$          | Junction-to-case (top) thermal resistance    | 43.5     | 48.1     | 46.2     | °C/W |
| $R_{\theta JB}$               | Junction-to-board thermal resistance         | 43.2     | 40.6     | 50.7     | °C/W |
| $\psi_{JT}$                   | Junction-to-top characterization parameter   | 10.4     | 27.5     | 13.5     | °C/W |
| $\psi_{JB}$                   | Junction-to-board characterization parameter | 42.8     | 40.3     | 50.3     | °C/W |
| $R_{\theta JC(bot)}$          | Junction-to-case (bottom) thermal resistance | n/a      | n/a      | n/a      | °C/W |

- (1) For more information about traditional and new thermal metrics, see the [Semiconductor and IC package thermal metrics](#) application report.

## 5.4 Electrical Characteristics

over recommended ranges of common-mode input voltage, supply voltage, and operating free-air temperature (unless otherwise noted)

| PARAMETER |   | TEST CONDITIONS   |                          |                      | MIN | MAX                 | UNIT          |    |
|-----------|---|---|--------------------------|----------------------|-----|---------------------|---------------|----|
| $V_{IT+}$ | Differential input high-threshold voltage | $V_O = 2.7\text{ V}$ ,  | $I_O = -0.4\text{ mA}$   |                      |     | 0.2                 | V             |    |
| $V_{IT-}$ | Differential input low-threshold voltage  | $V_O = 0.5\text{ V}$ ,  | $I_O = -8\text{ mA}$     |                      |     | -0.2 <sup>(1)</sup> | V             |    |
| $V_{IK}$  | Enable-input clamp voltage                | $I_I = -10\text{ mA}$   |                          |                      |     | -1.5                | V             |    |
| $V_{OH}$  | High-level output voltage                 | $V_{ID} = 0.4\text{ V}$ , See Note 4 and Figure 6-1                     | $I_O = -0.4\text{ mA}$ , |                      |     | 2.7                 | V             |    |
| $V_{OL}$  | Low-level output voltage                  | $V_{ID} = -0.4\text{ V}$ , See Note 4 and Figure 6-1                    | $I_O = 8\text{ mA}$ ,    |                      |     | 0.5                 | V             |    |
| $I_{OZ}$  | High-impedance-state output current       | $V_{IL} = 0.8\text{ V}$ ,   | $V_{ID} = -3\text{ V}$ , | $V_O = 2.7\text{ V}$ |     | 40                  | $\mu\text{A}$ |    |
|           |   | $V_{IL} = 0.8\text{ V}$ ,   | $V_{ID} = 3\text{ V}$ ,  | $V_O = 0.5\text{ V}$ |     | -40                 |               |    |
| $I_{IB}$  | Differential-input bias current           | $V_{CC} = 0\text{ V}$ or $2.25\text{ V}$ , Other inputs at $0\text{ V}$ |                          | $V_I = -10\text{ V}$ |     | -3.25               | mA            |    |
|           |   |   |                          | $V_I = -3\text{ V}$  |     | -1.5                |               |    |
|           |   |   |                          | $V_I = 3\text{ V}$   |     | 1.5                 |               |    |
|           |   |   |                          | $V_I = 10\text{ V}$  |     | 3.25                |               |    |
| $I_{IH}$  | High-level enable input current           | $V_I = 2.25\text{ V}$   |                          |                      |     | 100                 | $\mu\text{A}$ |    |
|           |   | $V_I = 2.7\text{ V}$  |                          |                      |     | 20                  |               |    |
| $I_{IL}$  | Low-level enable input current            | $V_I = -0.5\text{ V}$   |                          |                      |     | -100                | $\mu\text{A}$ |    |
| $I_{OS}$  | Short-circuit output current              | $V_{ID} = 3\text{ V}$ ,   | $V_O = 0$ ,              | See Note 5           |     | -15                 | -100          | mA |
| $I_{CC}$  | Supply current                            | $V_{IL} = 0$  |                          |                      |     | 85                  | mA            |    |

- (1) The algebraic convention, in which the least positive (most negative) limit is designated as minimum, is used in this data sheet for threshold voltages only.
- (2) Refer to ANSI Standards TIA/EIA-422-B and TIA/EIA-423-B for exact conditions.
- (3) Only one output should be shorted at a time.

## 5.5 Switching Characteristics

$V_{CC} = 5\text{ V}$ ,  $C_L = 15\text{ pF}$ ,  $T_A = 25^\circ\text{C}$

| PARAMETER |   | TEST CONDITIONS | MIN | TYP | MAX | UNIT |
|-----------|---|-----------------|-----|-----|-----|------|
| $t_{PHL}$ | Propagation delay time, high- to low-level output | See Figure 6-2  |     | 28  | 35  | ns   |
| $t_{PLH}$ | Propagation delay time, low- to high-level output |                 |     | 27  | 30  | ns   |
| $t_{PZH}$ | Output enable time to high level                  | See Figure 6-3  |     | 13  | 30  | ns   |
| $t_{PZL}$ | Output enable time to low level                   |                 |     | 20  | 30  | ns   |
| $t_{PHZ}$ | Output disable time from high level               |                 |     | 26  | 35  | ns   |
| $t_{PLZ}$ | Output disable time from low level                |                 |     | 27  | 35  | ns   |

## 6 Parameter Measurement Information

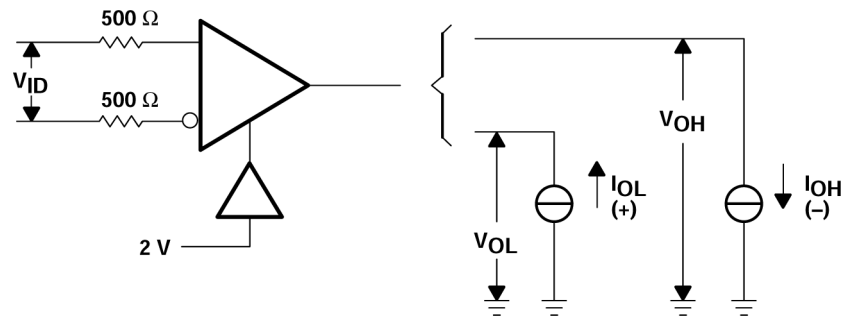
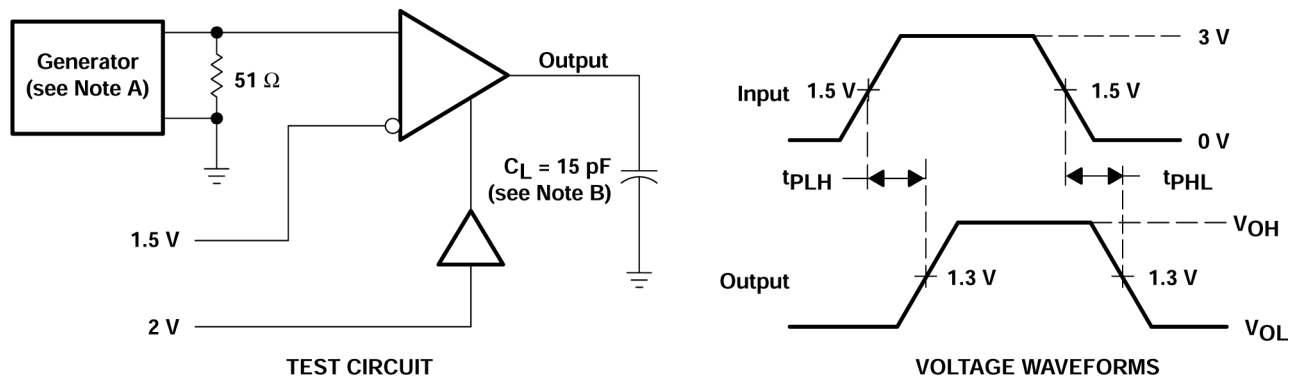
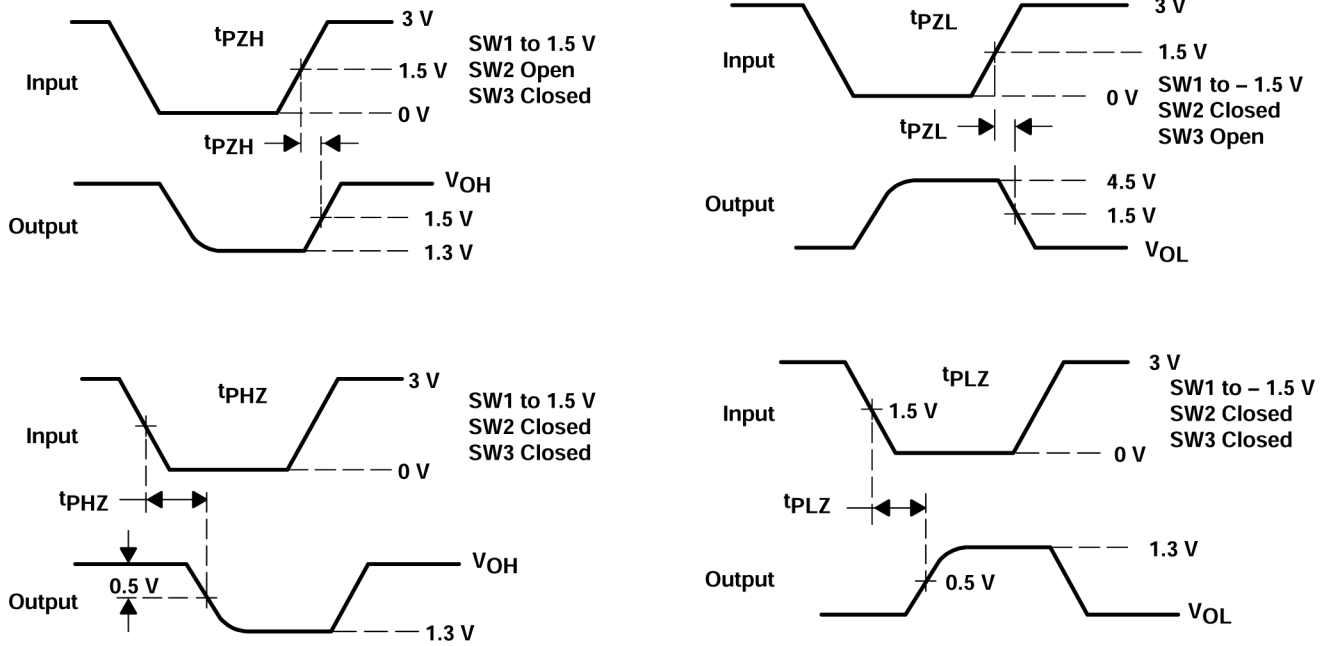
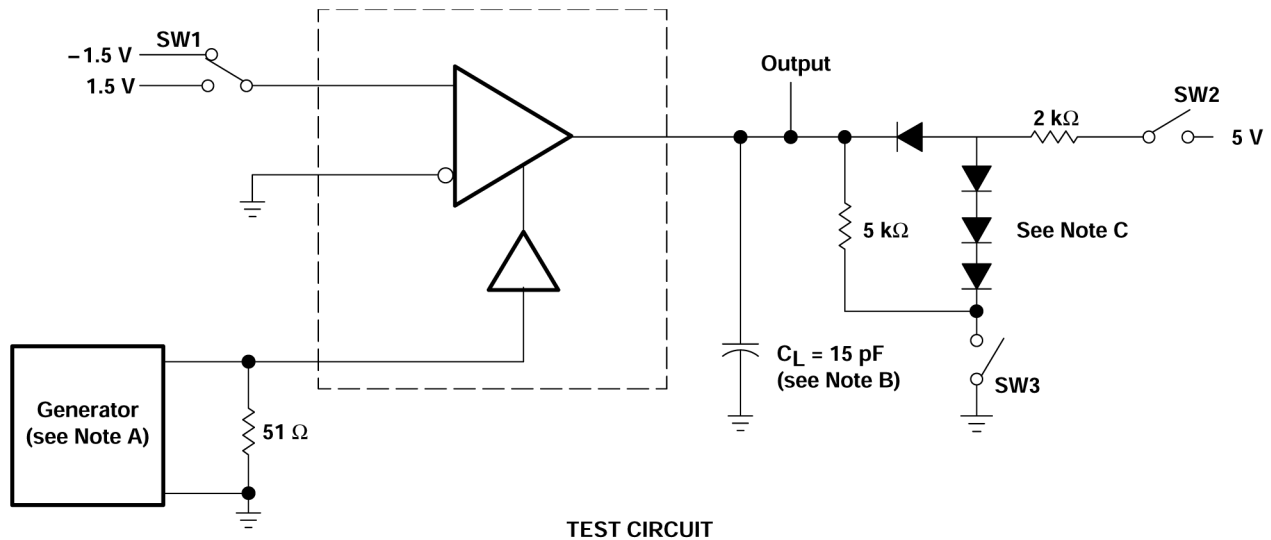


Figure 6-1.  $V_{OH}$ ,  $V_{OL}$



- A. The input pulse is supplied by a generator having the following characteristics: PRR  $\leq$  1 MHz, duty cycle = 50%,  $t_r \leq$  6 ns,  $t_f \leq$  6 ns.
- B.  $C_L$  includes probe and stray capacitance.

Figure 6-2. Test Circuit and Voltage Waveforms



- A. The input pulse is supplied by a generator having the following characteristics: PRR ≤ 1 MHz, duty cycle = 50%, t<sub>r</sub> ≤ 6 ns, t<sub>f</sub> ≤ 6 ns.
- B. C<sub>L</sub> includes probe and stray capacitance.
- C. All diodes are 1N916 or equivalent.

Figure 6-3. Test Circuit and Voltage Waveforms

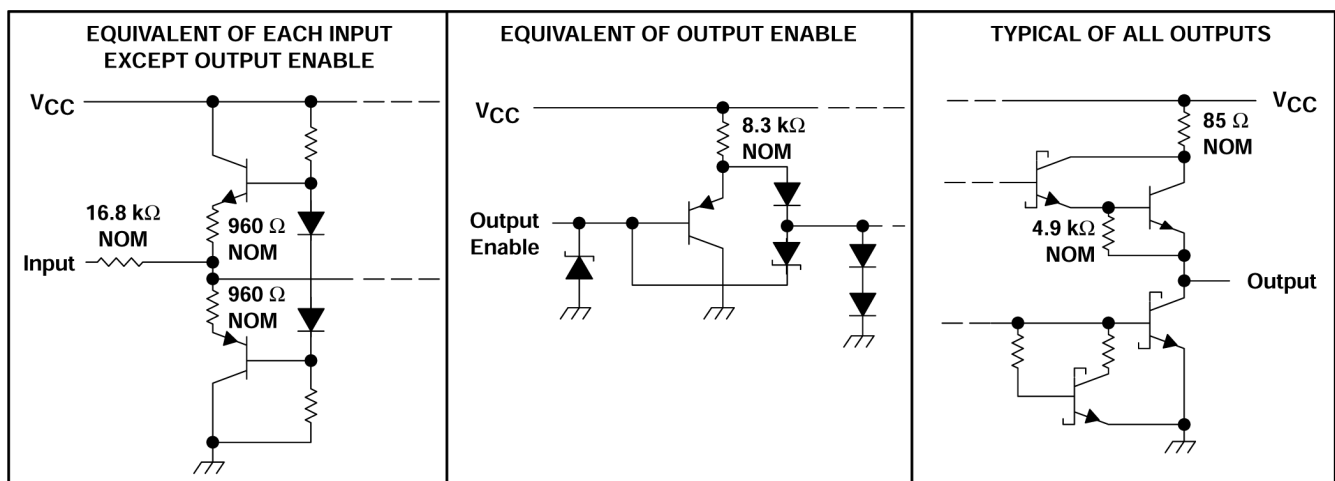
## 7 Detailed Description

### 7.1 Device Functional Modes

**Table 7-1. Function Table (Each Receiver)**

| DIFFERENTIAL INPUTS                     | ENABLE <sup>(1)</sup> | OUTPUT |
|---|-----------------------|--------|
| A-B                                     |                       | Y      |
| $V_{ID} \leq 0.2\text{ V}$              | H                     | H      |
| $-0.2\text{ V} < V_{ID} < 0.2\text{ V}$ | H                     | ?      |
| $V_{ID} \leq -0.2\text{ V}$             | H                     | L      |
| Irrelevant                              | L                     | Z      |
| Open                                    | H                     | ?      |

(1) H = high level, L = low level, Z = high impedance (off), ? = indeterminate



**Figure 7-1. Schematics of Inputs and Outputs**



## 8 Device and Documentation Support

TI offers an extensive line of development tools. Tools and software to evaluate the performance of the device, generate code, and develop solutions are listed below.

### 8.1 Receiving Notification of Documentation Updates

To receive notification of documentation updates, navigate to the device product folder on [ti.com](http://ti.com). Click on *Subscribe to updates* to register and receive a weekly digest of any product information that has changed. For change details, review the revision history included in any revised document.

### 8.2 Support Resources

[TI E2E™ support forums](#) are an engineer's go-to source for fast, verified answers and design help — straight from the experts. Search existing answers or ask your own question to get the quick design help you need.

Linked content is provided "AS IS" by the respective contributors. They do not constitute TI specifications and do not necessarily reflect TI's views; see TI's [Terms of Use](#).

### 8.3 Trademarks

Motorola™ is a trademark of Motorola.

TI E2E™ is a trademark of Texas Instruments.

All trademarks are the property of their respective owners.

### 8.4 Electrostatic Discharge Caution



This integrated circuit can be damaged by ESD. Texas Instruments recommends that all integrated circuits be handled with appropriate precautions. Failure to observe proper handling and installation procedures can cause damage.

ESD damage can range from subtle performance degradation to complete device failure. Precision integrated circuits may be more susceptible to damage because very small parametric changes could cause the device not to meet its published specifications.

### 8.5 Glossary

[TI Glossary](#) This glossary lists and explains terms, acronyms, and definitions.

## 9 Revision History

NOTE: Page numbers for previous revisions may differ from page numbers in the current version.

| <b>Changes from Revision C (February 2002) to Revision D (October 2023)</b>                           | <b>Page</b> |
|---|-------------|
| • Changed the numbering format for tables, figures, and cross-references throughout the document..... | <b>1</b>    |

## 10 Mechanical, Packaging, and Orderable Information

The following pages include mechanical, packaging, and orderable information. This information is the most current data available for the designated devices. This data is subject to change without notice and revision of this document. For browser-based versions of this data sheet, refer to the left-hand navigation.

## PACKAGING INFORMATION

| Orderable Device | Status<br>(1) | Package Type | Package Drawing | Pins | Package Qty | Eco Plan<br>(2) | Lead finish/<br>Ball material<br>(6) | MSL Peak Temp<br>(3) | Op Temp (°C) | Device Marking<br>(4/5) | Samples |
|------------------|---------------|--------------|-----------------|------|-------------|-----------------|--------------------------------------|----------------------|--------------|-------------------------|---------|
| MC3486D          | LIFEBUY       | SOIC         | D               | 16   | 40          | RoHS & Green    | NIPDAU                               | Level-1-260C-UNLIM   | 0 to 70      | MC3486                  |         |
| MC3486DE4        | LIFEBUY       | SOIC         | D               | 16   | 40          | RoHS & Green    | NIPDAU                               | Level-1-260C-UNLIM   | 0 to 70      | MC3486                  |         |
| MC3486DG4        | LIFEBUY       | SOIC         | D               | 16   | 40          | RoHS & Green    | NIPDAU                               | Level-1-260C-UNLIM   | 0 to 70      | MC3486                  |         |
| MC3486DR         | ACTIVE        | SOIC         | D               | 16   | 2500        | RoHS & Green    | NIPDAU                               | Level-1-260C-UNLIM   | 0 to 70      | MC3486                  | Samples |
| MC3486DRE4       | ACTIVE        | SOIC         | D               | 16   | 2500        | RoHS & Green    | NIPDAU                               | Level-1-260C-UNLIM   | 0 to 70      | MC3486                  | Samples |

(1) The marketing status values are defined as follows:

**ACTIVE:** Product device recommended for new designs.

**LIFEBUY:** TI has announced that the device will be discontinued, and a lifetime-buy period is in effect.

**NRND:** Not recommended for new designs. Device is in production to support existing customers, but TI does not recommend using this part in a new design.

**PREVIEW:** Device has been announced but is not in production. Samples may or may not be available.

**OBSELETE:** TI has discontinued the production of the device.

(2) **RoHS:** TI defines "RoHS" to mean semiconductor products that are compliant with the current EU RoHS requirements for all 10 RoHS substances, including the requirement that RoHS substance do not exceed 0.1% by weight in homogeneous materials. Where designed to be soldered at high temperatures, "RoHS" products are suitable for use in specified lead-free processes. TI may reference these types of products as "Pb-Free".

**RoHS Exempt:** TI defines "RoHS Exempt" to mean products that contain lead but are compliant with EU RoHS pursuant to a specific EU RoHS exemption.

**Green:** TI defines "Green" to mean the content of Chlorine (Cl) and Bromine (Br) based flame retardants meet JS709B low halogen requirements of <=1000ppm threshold. Antimony trioxide based flame retardants must also meet the <=1000ppm threshold requirement.

(3) MSL, Peak Temp. - The Moisture Sensitivity Level rating according to the JEDEC industry standard classifications, and peak solder temperature.

(4) There may be additional marking, which relates to the logo, the lot trace code information, or the environmental category on the device.

(5) Multiple Device Markings will be inside parentheses. Only one Device Marking contained in parentheses and separated by a "~" will appear on a device. If a line is indented then it is a continuation of the previous line and the two combined represent the entire Device Marking for that device.

(6) Lead finish/Ball material - Orderable Devices may have multiple material finish options. Finish options are separated by a vertical ruled line. Lead finish/Ball material values may wrap to two lines if the finish value exceeds the maximum column width.

**Important Information and Disclaimer:** The information provided on this page represents TI's knowledge and belief as of the date that it is provided. TI bases its knowledge and belief on information provided by third parties, and makes no representation or warranty as to the accuracy of such information. Efforts are underway to better integrate information from third parties. TI has taken and

continues to take reasonable steps to provide representative and accurate information but may not have conducted destructive testing or chemical analysis on incoming materials and chemicals. TI and TI suppliers consider certain information to be proprietary, and thus CAS numbers and other limited information may not be available for release.

In no event shall TI's liability arising out of such information exceed the total purchase price of the TI part(s) at issue in this document sold by TI to Customer on an annual basis.

## TAPE AND REEL INFORMATION



### QUADRANT ASSIGNMENTS FOR PIN 1 ORIENTATION IN TAPE



\*All dimensions are nominal

| Device    | Package Type | Package Drawing | Pins | SPQ  | Reel Diameter (mm) | Reel Width W1 (mm) | A0 (mm) | B0 (mm) | K0 (mm) | P1 (mm) | W (mm) | Pin1 Quadrant |
|-----------|--------------|-----------------|------|------|--------------------|--------------------|---------|---------|---------|---------|--------|---------------|
| MC3486DR  | SOIC         | D               | 16   | 2500 | 330.0              | 16.4               | 6.5     | 10.3    | 2.1     | 8.0     | 16.0   | Q1            |
| MC3486NSR | SO           | NS              | 16   | 2000 | 330.0              | 16.4               | 8.2     | 10.5    | 2.5     | 12.0    | 16.0   | Q1            |

**TAPE AND REEL BOX DIMENSIONS**


\*All dimensions are nominal

| Device    | Package Type | Package Drawing | Pins | SPQ  | Length (mm) | Width (mm) | Height (mm) |
|-----------|--------------|-----------------|------|------|-------------|------------|-------------|
| MC3486DR  | SOIC         | D               | 16   | 2500 | 340.5       | 336.1      | 32.0        |
| MC3486NSR | SO           | NS              | 16   | 2000 | 356.0       | 356.0      | 35.0        |

**TUBE**


\*All dimensions are nominal

| Device    | Package Name | Package Type | Pins | SPQ | L (mm) | W (mm) | T (μm) | B (mm) |
|-----------|--------------|--------------|------|-----|--------|--------|--------|--------|
| MC3486D   | D            | SOIC         | 16   | 40  | 507    | 8      | 3940   | 4.32   |
| MC3486DE4 | D            | SOIC         | 16   | 40  | 507    | 8      | 3940   | 4.32   |
| MC3486DG4 | D            | SOIC         | 16   | 40  | 507    | 8      | 3940   | 4.32   |
| MC3486N   | N            | PDIP         | 16   | 25  | 506    | 13.97  | 11230  | 4.32   |
| MC3486N   | N            | PDIP         | 16   | 25  | 506    | 13.97  | 11230  | 4.32   |
| MC3486NE4 | N            | PDIP         | 16   | 25  | 506    | 13.97  | 11230  | 4.32   |
| MC3486NE4 | N            | PDIP         | 16   | 25  | 506    | 13.97  | 11230  | 4.32   |

D (R-PDSO-G16)

PLASTIC SMALL OUTLINE



- NOTES:
- A. All linear dimensions are in inches (millimeters).
  - B. This drawing is subject to change without notice.
  - C. Body length does not include mold flash, protrusions, or gate burrs. Mold flash, protrusions, or gate burrs shall not exceed 0.006 (0,15) each side.
  - D. Body width does not include interlead flash. Interlead flash shall not exceed 0.017 (0,43) each side.
  - E. Reference JEDEC MS-012 variation AC.

D (R-PDSO-G16)

PLASTIC SMALL OUTLINE



- NOTES:
- All linear dimensions are in millimeters.
  - This drawing is subject to change without notice.
  - Publication IPC-7351 is recommended for alternate designs.
  - Laser cutting apertures with trapezoidal walls and also rounding corners will offer better paste release. Customers should contact their board assembly site for stencil design recommendations. Refer to IPC-7525 for other stencil recommendations.
  - Customers should contact their board fabrication site for solder mask tolerances between and around signal pads.



## IMPORTANT NOTICE AND DISCLAIMER

TI PROVIDES TECHNICAL AND RELIABILITY DATA (INCLUDING DATA SHEETS), DESIGN RESOURCES (INCLUDING REFERENCE DESIGNS), APPLICATION OR OTHER DESIGN ADVICE, WEB TOOLS, SAFETY INFORMATION, AND OTHER RESOURCES "AS IS" AND WITH ALL FAULTS, AND DISCLAIMS ALL WARRANTIES, EXPRESS AND IMPLIED, INCLUDING WITHOUT LIMITATION ANY IMPLIED WARRANTIES OF MERCHANTABILITY, FITNESS FOR A PARTICULAR PURPOSE OR NON-INFRINGEMENT OF THIRD PARTY INTELLECTUAL PROPERTY RIGHTS.

These resources are intended for skilled developers designing with TI products. You are solely responsible for (1) selecting the appropriate TI products for your application, (2) designing, validating and testing your application, and (3) ensuring your application meets applicable standards, and any other safety, security, regulatory or other requirements.

These resources are subject to change without notice. TI grants you permission to use these resources only for development of an application that uses the TI products described in the resource. Other reproduction and display of these resources is prohibited. No license is granted to any other TI intellectual property right or to any third party intellectual property right. TI disclaims responsibility for, and you will fully indemnify TI and its representatives against, any claims, damages, costs, losses, and liabilities arising out of your use of these resources.

TI's products are provided subject to [TI's Terms of Sale](#) or other applicable terms available either on [ti.com](https://www.ti.com) or provided in conjunction with such TI products. TI's provision of these resources does not expand or otherwise alter TI's applicable warranties or warranty disclaimers for TI products.

TI objects to and rejects any additional or different terms you may have proposed.

Mailing Address: Texas Instruments, Post Office Box 655303, Dallas, Texas 75265  
Copyright © 2023, Texas Instruments Incorporated