



Micro Commercial Corp.
21201 Itasca St.
Chatsworth, CA 91311
Phone: (818) 701-4933
Fax: (818) 701-4939

MC400 THRU MC411

Features

- Low Turn-on Voltage
- Fast Switching
- PN Junction Guard Ring for Transient and ESD Protection

0.5 Amp Surface Mount Schottky Barrier Diode 20 to 40 Volts

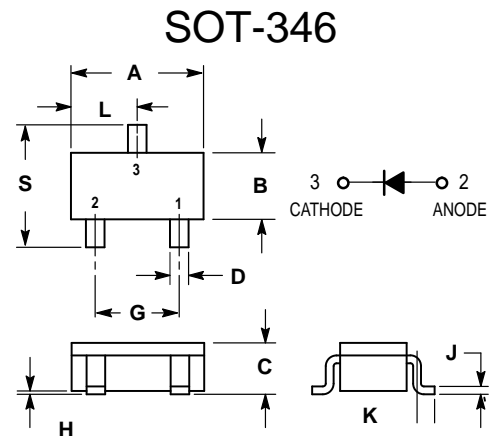
Mechanical Data

- Case :SOT-346,Molded Plastic
- Terminals :Solderable per MIL-STD-202,Method 208
- Polarity :See Diagrams Below
- Weight :0.008 grams (approx)
- Mounion Position :Any

Maximum Ratings

- Operating Temperature: -25°C to +125°C
- Storage Temperature: -50°C to +125°C

MCC Catalog Number	Device Marking	Maximum Recurrent Peak Reverse Voltage	Maximum RMS Voltage	Maximum DC Blocking Voltage
MC411	05T	20V	14V	20V
MC400	05F	40V	28V	40V

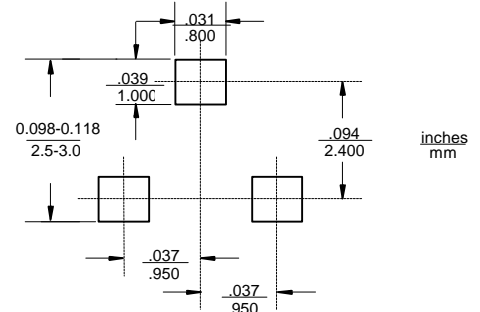


DIM	DIMENSIONS				NOTE
	INCHES		MM		
	MIN	MAX	MIN	MAX	
A	.106	.122	2.70	3.10	
B	.051	.067	1.30	1.70	
C	.039	.051	1.00	1.30	
D	.014	.020	0.35	0.50	
G	.067	.091	1.70	2.30	
H	.000	.004	0.00	0.10	
J	.004	.010	0.10	0.26	
K	.008	.024	0.20	0.60	
L	.049	.065	1.25	1.65	
S	.089	.118	2.25	3.00	

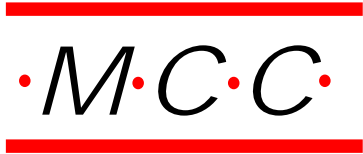
Electrical Characteristics @ 25°C Unless Otherwise Specified

Average Forward Current	$I_{F(AV)}$	0.5A	$T_A = 90^\circ\text{C}$
Peak Forward Surge Current	I_{FSM}	3A	8.3ms, half sine
Maximum Forward Voltage Drop Per Element	V_F	0.45V 0.53V	$I_{FM} = 0.5A$ $T_J = 25^\circ\text{C}$
Maximum DC Reverse Current At Rated DC Blocking Voltage	I_R	100 μ A 4.0mA	$T_J = 25^\circ\text{C}$ $T_J = 100^\circ\text{C}$

Suggested Solder Pad Layout



*Pulse Test: Pulse Width 300 μ sec, Duty Cycle 1%



MC400 thru MC411

RATING AND CHARACTERISTIC CURVES

FIG.1-TYPICAL FORWARD

CHARACTERISTICS

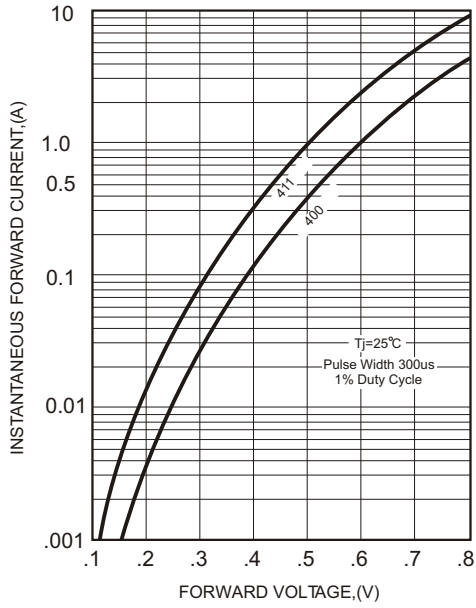


FIG.2-TYPICAL FORWARD CURRENT DERATING CURVE

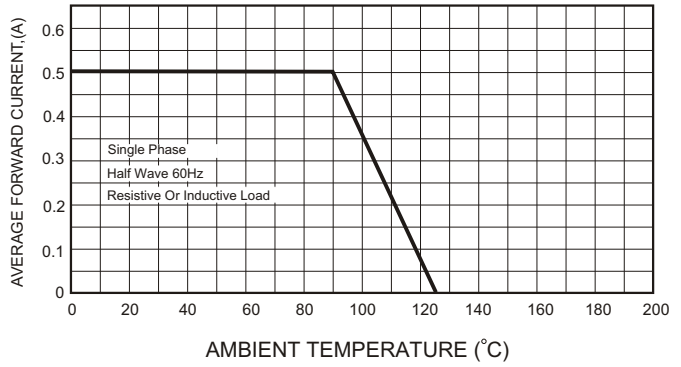


FIG.3 - TYPICAL REVERSE

CHARACTERISTICS

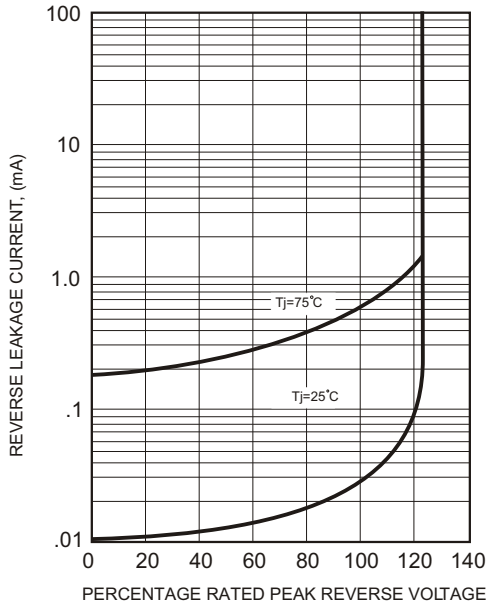


FIG.4-TYPICAL JUNCTION CAPACITANCE

