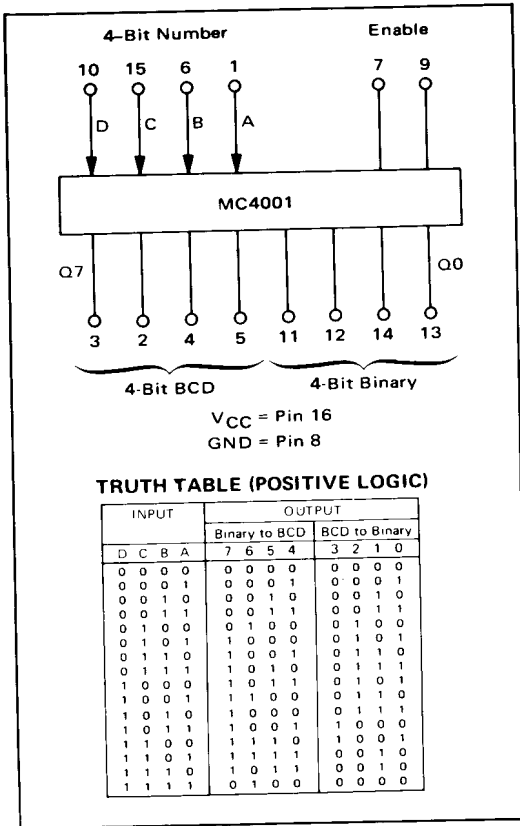


**BCD-TO-BINARY/  
BINARY-TO-BCD  
NUMBER CONVERTER**

**MC4301  
MC4001**



The MC4301/4001 serves as a basic building block in Binary-to-BCD and BCD- to-Binary converters. Conversion of any length binary or BCD word can be accomplished by interconnecting MC4001 packages. The MC4001 also contains a full adder and subtractor.

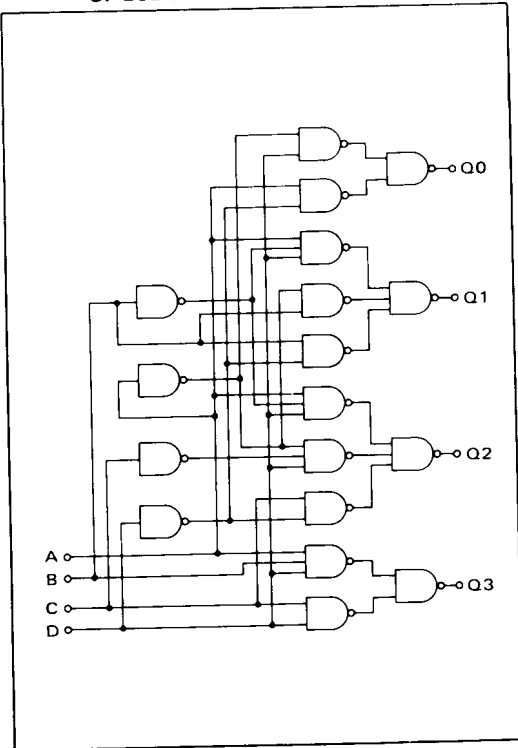
**Features:**

- Address times < 45 ns
- Outputs sink 16 mA
- Output capacitance < 7.0 pF @ 1.5 V

**ENABLE INPUT TRUTH TABLE (POSITIVE LOGIC)**

E	E	Q7	Q6	Q5	Q4	Q3	Q2	Q1	Q0
0	0	1	1	1	1	1	1	1	1
0	1	1	1	1	1	1	1	1	1
1	0	1	1	1	1	1	1	1	1
1	1	FUNCTION ENABLED							

**"NAND" GATE EQUIVALENT OF BCD-TO-BINARY CONVERTER**



**"NAND" GATE EQUIVALENT OF BINARY-TO-BCD CONVERTER**

