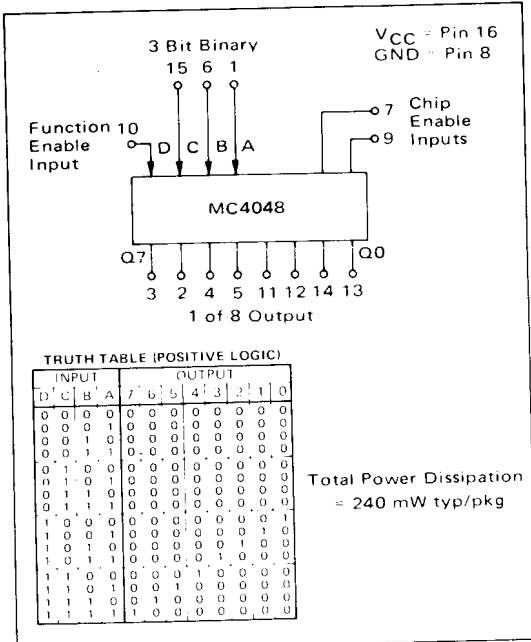


**NON-INVERTING
ONE-OF-EIGHT DECODER**

**MC4348
MC4048**

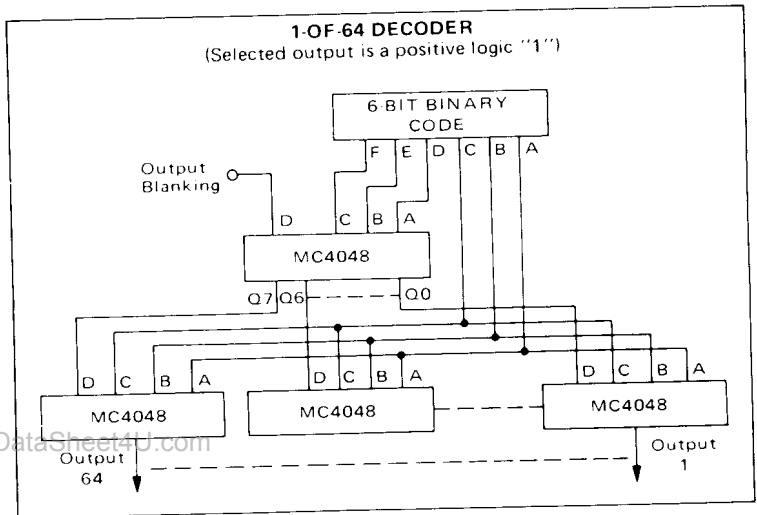


E	E	Q7	Q6	Q5	Q4	Q3	Q2	Q1	Q0
0	0	1	1	1	1	1	1	1	1
0	1	1	1	1	1	1	1	1	1
1	0	1	1	1	1	1	1	1	1
1	1	1	1	1	1	1	1	1	1

FUNCTION ENABLED

A 3-bit binary address selects the desired word for the 8-bit output, and the selected output goes to a logic "1". The function enable input, D, is useful for expansion of the decoding function. When D is a logic "0" all outputs are logic "0". A logic "1" on D produces a logic "1" on the selected output.

- Features:
- Address times < 50 ns
 - Outputs sink 16 mA
 - Output capacitance < 7.0 pF @ 1.5 V



REPRESENTATIVE CIRCUIT SCHEMATIC

