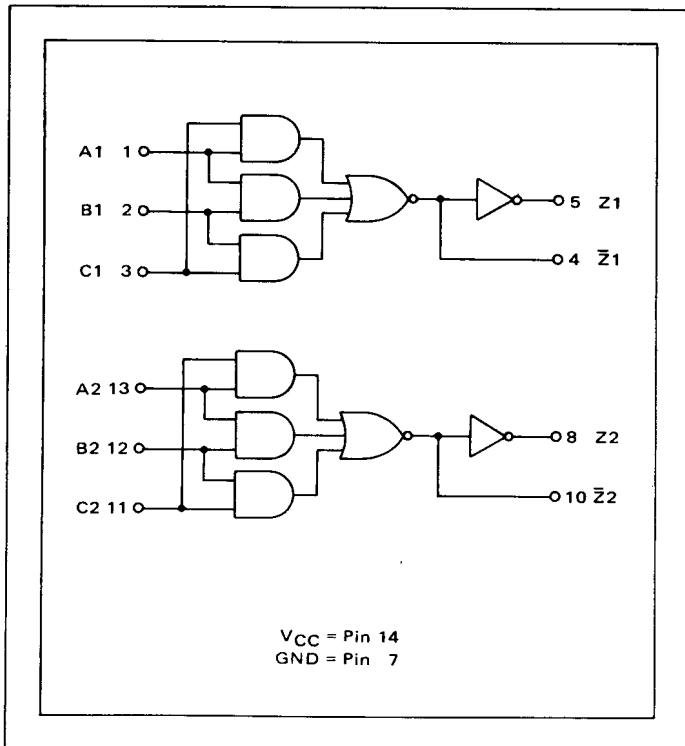


DUAL
MAJORITY LOGIC GATE

MC4362

MC4062



This integrated circuit offers the designer additional versatility in logic design. When any two or all three of the inputs are raised to the "1" level, the output goes to the "1" level. The output, Z, and its complement, \bar{Z} , are both available.

INPUT			OUTPUT	
A	B	C	Z	\bar{Z}
0	0	0	0	1
0	0	1	0	1
0	1	0	0	1
0	1	1	1	0
1	0	0	0	1
1	0	1	1	0
1	1	0	1	0
1	1	1	1	0

Total Power Dissipation = 75 mW typ/pkg
 Propagation Delay Time = 20 ns typ (Z Output)
 11 ns typ (\bar{Z} Output)

V_{CC} = Pin 14
 GND = Pin 7

DataSheet4U.com

CIRCUIT SCHEMATIC
(1/2 OF DEVICE SHOWN)

