

Microcontroller/Microprocessor (MCU/MPU)

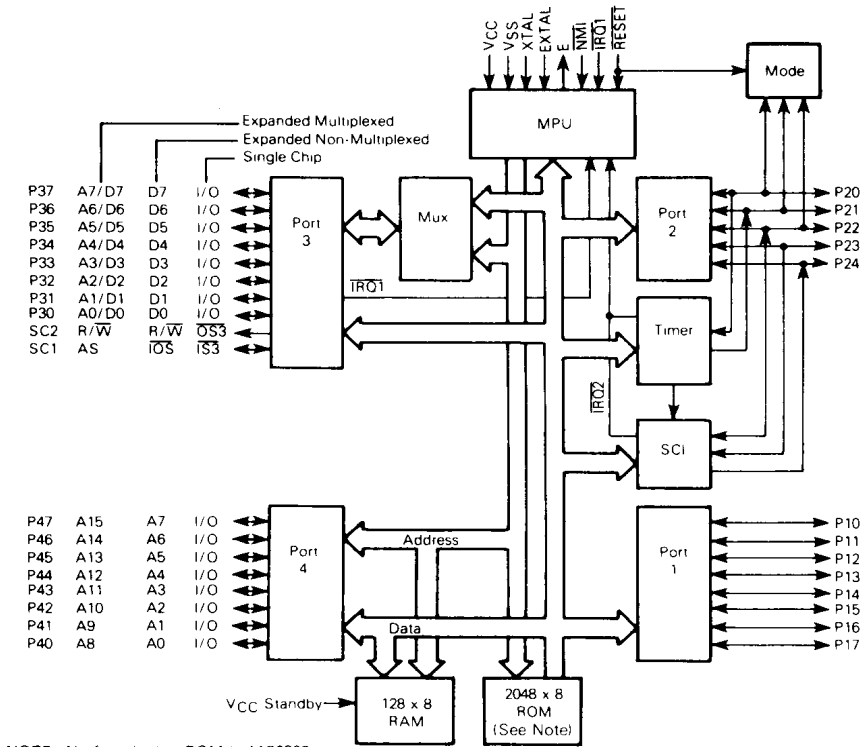
The MC6801 is an 8-bit single-chip microcontroller unit (MCU) which significantly enhances the capabilities of the M6800 Family of parts. It includes an upgraded M6800 microprocessor unit (MPU) with upward-source and object-code compatibility. Execution times of key instructions have been improved and several new instructions have been added including an unsigned multiply. The MCU can function as a monolithic microcontroller or can be expanded to a 64K byte address space. It is TTL compatible and requires one +5-volt power supply. On-chip resources include 2048 bytes of ROM, 128 bytes of RAM, a serial communications interface (SCI), parallel I/O, and a three-function programmable timer. The MC6803 can be considered as an MC6801 operating in modes 2 or 3. An EPROM version of the MC6801, the MC68701 microcontroller, is available for systems development. The MC68701 is pin and code compatible with the MC6801 MC6803 and can be used to emulate the MC6801 MC6803. The MC68701 is described in a separate Advanced Information publication.

- Enhanced MC6800 Instruction Set
- 8 × 8 Multiply Instruction
- Serial Communications Interface (SCI)
- Upward Source and Object Code Compatibility with the M6800
- 16-Bit Three-Function Programmable Timer
- Single-Chip or Expanded Operation to 64K Byte Address Space
- Bus Compatibility with the M6800 Family
- 2048 Bytes of ROM (MC6801 Only)
- 128 Bytes of RAM
- 64 Bytes of RAM Retainable During Powerdown
- 29 Parallel I/O and Two Handshake Control Lines
- Internal Clock Generator with Divide-by-Four Output
- 40 to 85 C Temperature Range

This document contains information on a new product. Specifications and information herein are subject to change without notice.

MC6801/6803

FIGURE 1 — M6801 MICROCOMPUTER FAMILY BLOCK DIAGRAM



NOTE: No functioning ROM in MC6803.

POWER CONSIDERATIONS

The average chip-junction temperature, T_J , in $^{\circ}\text{C}$ can be obtained from:

$$T_J = T_A + (P_D \cdot \theta_{JA}) \quad (1)$$

where:

- T_A = Ambient Temperature, $^{\circ}\text{C}$
- θ_{JA} = Package Thermal Resistance, Junction-to-Ambient, $^{\circ}\text{C}/\text{W}$
- P_D = $P_{\text{INT}} + P_{\text{PORT}}$
- P_{INT} = $I_{\text{CC}} \times V_{\text{CC}}$, Watts — Chip Internal Power
- P_{PORT} = Port Power Dissipation, Watts — User Determined

For most applications $P_{\text{PORT}} < P_{\text{INT}}$ and can be neglected. P_{PORT} may become significant if the device is configured to drive Darlington bases or sink LED loads.

An approximate relationship between P_D and T_J (if P_{PORT} is neglected) is:

$$P_D = K + (T_J + 273^{\circ}\text{C}) \quad (2)$$

Solving equations (1) and (2) for K gives:

$$K = P_D \cdot (T_A + 273^{\circ}\text{C}) + \theta_{JA} \cdot P_D^2 \quad (3)$$

where K is a constant pertaining to the particular part. K can be determined from equation (3) by measuring P_D (at equilibrium) for a known T_A . Using this value of K, the values of P_D and T_J can be obtained by solving equations (1) and (2) iteratively for any value of T_A .



MAXIMUM RATINGS

| Rating | Symbol | Value | Unit |
|-------------------------------------------------------------------|------------------|-----------------------------------------------------------|------|
| Supply Voltage | V _{CC} | -0.3 to +7.0 | V |
| Input Voltage | V _{in} | -0.3 to +7.0 | V |
| Operating Temperature Range MC6801, MC6803 MC6801C, MC6803C | T _A | T _L to T _H 0 to 70 -40 to +85 | °C |
| Storage Temperature Range | T _{stg} | -55 to +150 | °C |

This device contains circuitry to protect the inputs against damage due to high static voltages or electric fields; however, it is advised that normal precautions be taken to avoid application of any voltage higher than maximum rated voltages to this high-impedance circuit. For proper operation it is recommended the V_{in} and V_{out} be constrained to the range V_{SS} ≤ (V_{in} or V_{out}) ≤ V_{CC}. Input protection is enhanced by connecting unused inputs to either V_{DD} or V_{SS}.

THERMAL CHARACTERISTICS

| Characteristic | Symbol | Value | Unit |
|-----------------------------------------|-----------------|----------|------|
| Thermal Resistance Plastic Cerdip | θ _{JA} | 50 50 | °C/W |

CONTROL TIMING (V_{CC} = 5.0 V ± 5%, V_{SS} = 0)

| Characteristic | Symbol | MC6801 | | MC6801-1 | | MC68B01 | | Unit |
|----------------------------------|--------------------|--------|-----|----------|------|---------|-----|------|
| | | Min | Max | Min | Max | Min | Max | |
| Frequency of Operation | f _o | 0.5 | 1.0 | 0.5 | 1.25 | 0.5 | 2.0 | MHz |
| Crystal Frequency | f _{X TAL} | 2.0 | 4.0 | 2.0 | 5.0 | 2.0 | 8.0 | MHz |
| External Oscillator Frequency | 4f _o | 2.0 | 4.0 | 2.0 | 5.0 | 2.0 | 8.0 | MHz |
| Crystal Oscillator Start Up Time | t _{rc} | — | 100 | — | 100 | — | 100 | ms |
| Processor Control Setup Time | t _{PCS} | 200 | — | 170 | — | 110 | — | ns |

DC ELECTRICAL CHARACTERISTICS (V_{CC} = 5.0 Vdc ± 5%, V_{SS} = 0, T_A = T_L to T_H, unless otherwise noted)

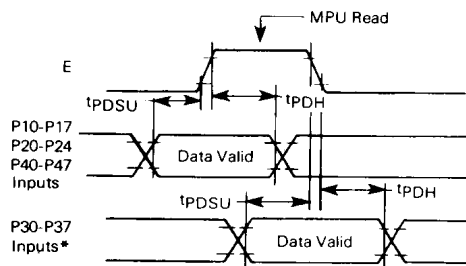
| Characteristic | Symbol | MC6801 MC6803 | | MC6801C MC6803C | | Unit |
|--------------------------------------------------------------------------------------------------------------------------------------------------------------------------|-------------------------------------|------------------------------------------------|------------------------------------|------------------------------------------------|------------------------------------|------|
| | | Min | Max | Min | Max | |
| Input High Voltage RESET Other Inputs | V _{IH} | V _{SS} - 4.0 V _{SS} - 2.0 | V _{CC} V _{CC} | V _{SS} - 4.0 V _{SS} - 2.2 | V _{CC} V _{CC} | V |
| Input Low Voltage All Inputs | V _{IL} | V _{SS} - 0.3 | V _{SS} - 0.8 | V _{SS} - 0.3 | V _{SS} - 0.8 | V |
| Input Load Current (V _{in} = 0 to 2.4 V) Port 4 SC1 | I _{in} | — | 0.5 0.8 | — | 0.8 1.0 | mA |
| Input Leakage Current (V _{in} = 0 to 5.25 V) NMI, IRQ1, RESET | I _{in} | — | 2.5 | — | 5.0 | μA |
| Hi-Z (Off State) Input Current (V _{in} = 0.5 to 2.4 V) Ports 1, 2, and 3 | I _{TSI} | — | 10 | — | 20 | μA |
| Output High Voltage (I _{Load} = -65 μA, V _{CC} = Min)* (I _{Load} = -100 μA, V _{CC} = Min) Port 4, SC1, SC2 Other Outputs | V _{OH} | V _{SS} - 2.4 V _{SS} - 2.4 | — — | V _{SS} - 2.4 V _{SS} - 2.4 | — — | V |
| Output Low Voltage (I _{Load} = 2.0 mA, V _{CC} = Min) All outputs | V _{OL} | — | V _{SS} + 0.5 | — | V _{SS} + 0.6 | V |
| Darlington Drive Current (V _O = 1.5 V) Port 1 | I _{OH} | 1.0 | 4.0 | 1.0 | 5.0 | mA |
| Internal Power Dissipation (Measured at T _A = T _L in Steady-State Operation) | P _{INT} | — | 1200 | — | 1500 | mW |
| Input Capacitance (V _{in} = 0, T _A = 25 °C, f _o = 1.0 MHz) Port 3, Port 4, SC1 Other Inputs | C _{in} | — | 12.5 10 | — | 12.5 10 | pF |
| V _{CC} Standby Powerdown Powerup | V _{SBB} V _{SB} | 4.0 4.75 | 5.25 5.25 | 4.0 4.75 | 5.25 5.25 | V |
| Standby Current Powerdown | I _{SBB} | — | 6.0 | — | 8.0 | mA |

*Negotiable to -100 μA (for further information contact the factory)

PERIPHERAL PORT TIMING (Refer to Figures 2-5)

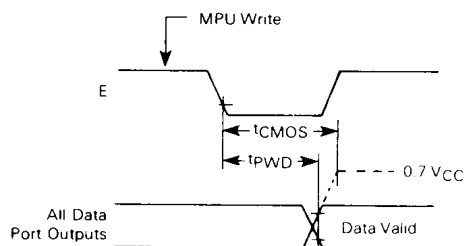
| Characteristic | Symbol | MC6801 MC6803 | | MC6801-1 MC6803-1 | | MC68B01 MC68B03 | | Unit |
|--------------------------------------------------------------------------------|-------------------|------------------|-----|----------------------|-----|--------------------|-----|---------|
| | | Min | Max | Min | Max | Min | Max | |
| Peripheral Data Setup Time | t _{PDSU} | 200 | — | 200 | — | 100 | — | ns |
| Peripheral Data Hold Time | t _{PDH} | 200 | — | 200 | — | 100 | — | ns |
| Delay Time, Enable Positive Transition to $\overline{OS3}$ Negative Transition | t _{OSD1} | — | 350 | — | 350 | — | 250 | ns |
| Delay Time, Enable Positive Transition to $\overline{OS3}$ Positive Transition | t _{OSD2} | — | 350 | — | 350 | — | 250 | ns |
| Delay Time, Enable Negative Transition to Peripheral Data Valid | t _{PWD} | — | 350 | — | 350 | — | 250 | ns |
| Delay Time, Enable Negative Transition to Peripheral CMOS Data Valid | t _{CMOS} | — | 2.0 | — | 2.0 | — | 2.0 | μ s |
| Input Strobe Pulse Width | t _{PWIS} | 200 | — | 200 | — | 100 | — | ns |
| Input Data Hold Time | t _{IH} | 50 | — | 50 | — | 30 | — | ns |
| Input Data Setup Time | t _{IS} | 20 | — | 20 | — | 20 | — | ns |

FIGURE 2 — DATA SETUP AND HOLD TIMES (MPU READ)



*Port 3 non-latched operation (LATCH ENABLE = 0)

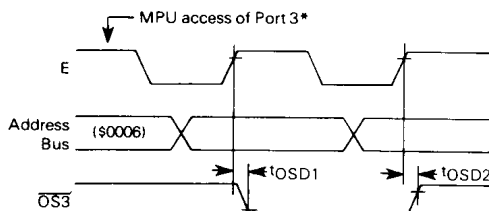
FIGURE 3 — DATA SETUP AND HOLD TIMES (MPU WRITE)



NOTES:

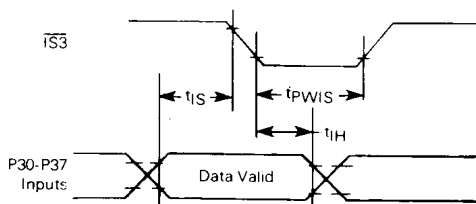
1. 10 k pullup resistor required for port 2 to reach 0.7 V_{CC}.
2. Not applicable to P2¹.
3. Port 4 cannot be pulled above V_{CC}.

FIGURE 4 — PORT 3 OUTPUT STROBE TIMING (MC6801 SINGLE-CHIP MODE)



* Access matches output strobe select (OSS = 0, a read; OSS = 1, a write)

FIGURE 5 — PORT 3 LATCH TIMING (MC6801 SINGLE-CHIP MODE)



NOTE: Timing measurements are referenced to and from a low voltage of 0.8 volts and a high voltage of 2.0 volts, unless otherwise noted.



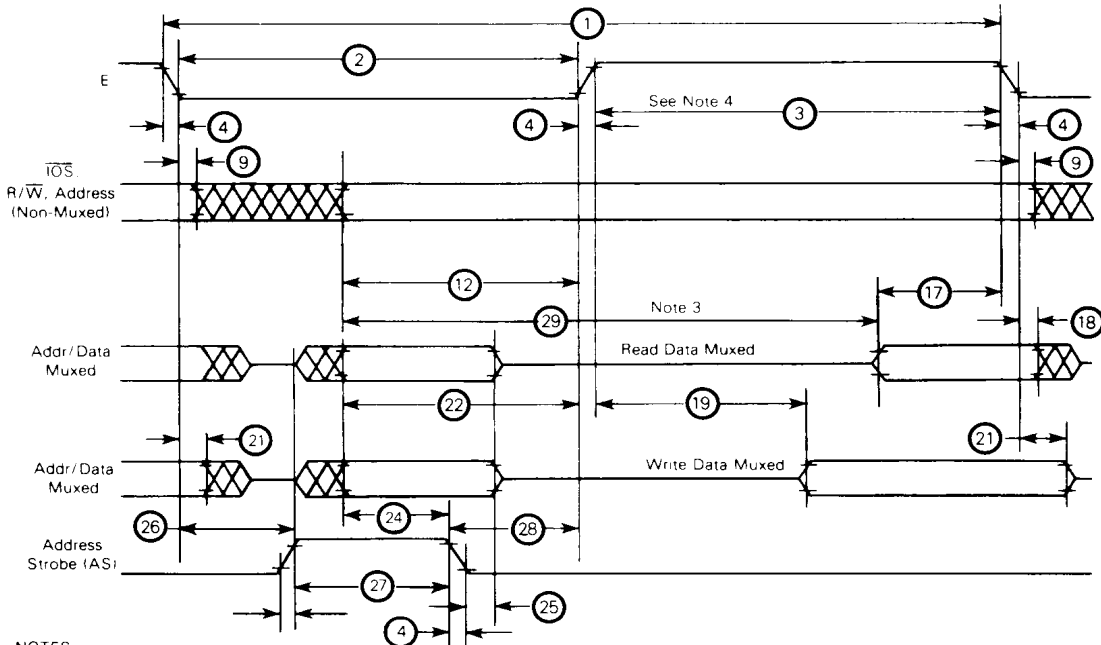
BUS TIMING (See Notes 1 and 2)

| Ident. Number | Characteristics | Symbol | MC6801 MC6803 | | MC6801-1 MC6803-1 | | MC68B01 MC68B03 | | Unit |
|---------------|--------------------------------------|------------|---------------|------|-------------------|------|-----------------|------|---------|
| | | | Min | Max | Min | Max | Min | Max | |
| 1 | Cycle Time | t_{cyc} | 1.0 | 2.0 | 0.8 | 2.0 | 0.5 | 2.0 | μs |
| 2 | Pulse Width, E Low | PW_{EL} | 430 | 1000 | 360 | 1000 | 210 | 1000 | ns |
| 3 | Pulse Width, E High | PW_{EH} | 450 | 1000 | 360 | 1000 | 220 | 1000 | ns |
| 4 | Clock Rise and Fall Time | t_r, t_f | — | 25 | — | 25 | — | 20 | ns |
| 9 | Address Hold Time | t_{AH} | 20 | — | 20 | — | 10 | — | ns |
| 12 | Non-Muxed Address Valid Time to E* | t_{AV} | 200 | — | 150 | — | 70 | — | ns |
| 17 | Read Data Setup Time | t_{DSR} | 80 | — | 70 | — | 40 | — | ns |
| 18 | Read Data Hold Time | t_{DHR} | 10 | — | 10 | — | 10 | — | ns |
| 19 | Write Data Delay Time | t_{DDW} | — | 225 | — | 200 | — | 120 | ns |
| 21 | Write Data Hold Time | t_{DHW} | 20 | — | 20 | — | 10 | — | ns |
| 22 | Muxed Address Valid Time to E Rise* | t_{AVM} | 200 | — | 150 | — | 80 | — | ns |
| 24 | Muxed Address Valid Time to AS Fall* | t_{ASL} | 60 | — | 50 | — | 20 | — | ns |
| 25 | Muxed Address Hold Time | t_{AHL} | 20 | — | 20 | — | 10 | — | ns |
| 26 | Delay time, E to AS Rise* | t_{ASD} | 90** | — | 70** | — | 45** | — | ns |
| 27 | Pulse Width, AS High* | PW_{ASH} | 220 | — | 170 | — | 110 | — | ns |
| 28 | Delay Time, AS to E Rise* | t_{ASED} | 90 | — | 70 | — | 45 | — | ns |
| 29 | Usable Access Time* | t_{ACC} | 595 | — | 465 | — | 270 | — | ns |

* At specified cycle time.

** t_{ASD} parameters listed assume external TTL clock drive with 50% - 5% duty cycle. Devices driven by an external TTL clock with 50% - 1% duty cycle or which use a crystal have the following t_{ASD} specifications: 100 nanoseconds minimum (1.0 MHz devices), 80 nanoseconds minimum (1.25 MHz device), 50 nanoseconds minimum (2.0 MHz devices).

FIGURE 6 — BUS TIMING



NOTES:

1. Voltage levels shown are $V_L \leq 0.5 V$, $V_H \geq 2.4 V$, unless otherwise specified.
2. Measurement points shown are 0.8 V and 2.0 V, unless otherwise specified.
3. Usable access time is computed by: $12 + 3 - 17 + 4$.
4. Memory devices should be enabled only during E high to avoid port 3 bus contention.

FIGURE 7 — CMOS LOAD

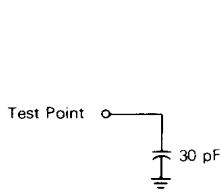
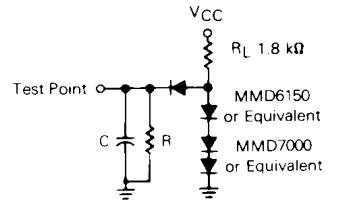


FIGURE 8 — TIMING TEST LOAD PORTS 1, 2, 3, 4



C = 90 pF for P30-P37, P40-P47, E, SC1, SC2
 = 30 pF for P10-P17, P20-P24
 R = 37 k Ω for P40-P47, SC1, SC2
 = 24 k Ω for P10-P17, P20-P24
 = 24 k Ω for P30-P37, E

INTRODUCTION

The MC6801 is an 8-bit monolithic microcomputer which can be configured to function in a wide variety of applications. The facility which provides this extraordinary flexibility is its ability to be hardware programmed into eight different operating modes. The operating mode controls the configuration of 18 of the 40 MCU pins, available on-chip resources, memory map, location (internal or external) of interrupt vectors, and type of external bus. The configuration of the remaining 22 pins is not dependent on the operating mode.

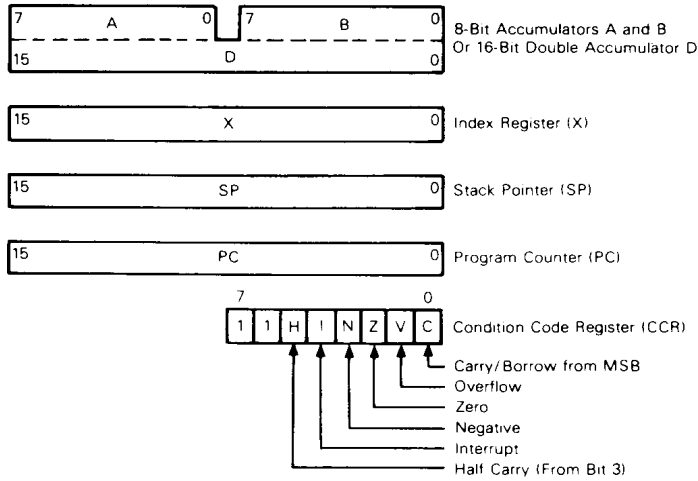
Twenty-nine pins are organized as three 8-bit ports and one 5-bit port. Each port consists of at least a data register and a write-only data direction register. The data direction register is used to define whether corresponding bits in the data register are configured as an input (clear) or output (set).

The term "port," by itself, refers to all of the hardware associated with the port. When the port is used as a "data port" or "I/O port," it is controlled by the port data direction register and the programmer has direct access to the port pins using the port data register. Port pins are labeled as P_{ij} where i identifies one of four ports and j indicates the particular bit.

The microprocessor unit (MPU) is an enhanced MC6800 MPU with additional capabilities and greater throughput. It is upward source and object code compatible with the MC6800. The programming model is depicted in Figure 9, where accumulator D is a concatenation of accumulators A and B. A list of new operations added to the M6800 instruction set are shown in Table 1.

The MC6803 can be considered an MC6801 that operates in Modes 2 and 3 only.

FIGURE 9 — PROGRAMMING MODEL



OPERATING MODES

The MC6801 provides eight different operating modes (0 through 7) and the MC6803 provides two operating modes (2 and 3). The operating modes are hardware selectable and determine the device memory map, the configuration of port 3, port 4, SC1, SC2, and the physical location of the interrupt vectors.

FUNDAMENTAL MODES

The eight operating modes can be grouped into three fundamental modes which refer to the type of bus it supports: single chip, expanded non-multiplexed, and expanded multiplexed. Single-chip modes include 4 and 7, expanded non-multiplexed mode is 5, and the remaining five modes are

expanded multiplexed modes. Table 2 summarizes the characteristics of the operating modes.

MC6801 Single-Chip Modes (4, 7)

In the single-chip mode, the four MCU ports are configured as parallel input/output data ports, as shown in Figure 10. The MCU functions as a monolithic microcomputer in these two modes without external address or data buses. A maximum of 29 I/O lines and two port 3 control lines are provided. Peripherals or another MCU can be interfaced to port 3 in a loosely coupled dual processor configuration, as shown in Figure 11.

TABLE 1 — NEW INSTRUCTIONS

| Instruction | Description |
|--------------|---------------------------------------------------------------------------------------------------------------------------------|
| ABX | Unsigned addition of accumulator B to index register |
| ADDD | Adds (without carry) the double accumulator to memory and leaves the sum in the double accumulator |
| ASLD or LSLD | Shifts the double accumulator left (towards MSB) one bit; the LSB is cleared and the MSB is shifted into the C bit |
| BHS | Branch if higher or same; unsigned conditional branch (same as BCC) |
| BLO | Branch if lower; unsigned conditional branch (same as BCS) |
| BRN | Branch never |
| JSR | Additional addressing mode: direct |
| LDD | Loads double accumulator from memory |
| LSL | Shifts memory or accumulator left (towards MSB) one bit; the LSB is cleared and the MSB is shifted into the C bit (same as ASL) |
| LSRD | Shifts the double accumulator right (towards LSB) one bit; the MSB is cleared and the LSB is shifted into the C bit |
| MUL | Unsigned multiply; multiplies the two accumulators and leaves the product in the double accumulator |
| PSHX | Pushes the index register to stack |
| PULX | Pulls the index register from stack |
| STD | Stores the double accumulator to memory |
| SUBD | Subtracts memory from the double accumulator and leaves the difference in the double accumulator |
| CPX | Internal processing modified to permit its use with any conditional branch instruction |

3

In single-chip test mode (4), the RAM responds to \$XX80 through \$XXFF and the ROM is removed from the internal address map. A test program must first be loaded into the RAM using modes 0, 1, 2, or 6. If the MCU is reset and then programmed into mode 4, execution will begin at \$XXFE:XXFF. Mode 5 can be irreversibly entered from mode 4 without asserting RESET by setting bit 5 of the port 2 data register. This mode is used primarily to test ports 3 and 4 in the single-chip and non-multiplexed modes.

MC6801 Expanded Non-Multiplexed Mode (5)

A modest amount of external memory space is provided in the expanded non-multiplexed mode while significant on-chip resources are retained. Port 3 functions as an 8-bit

bidirectional data bus and port 4 is configured initially as an input data port. Any combination of the eight least-significant address lines may be obtained by writing to the port 4 data direction register. Stated alternatively, any combination of A0 to A7 may be provided while retaining the remainder as input data lines. Internal pullup resistors pull the port 4 lines high until the port is configured.

Figure 12 illustrates a typical system configuration in the expanded non-multiplexed mode. The MCU interfaces directly with M6800 Family parts and can access 256 bytes of external address space at \$100 through \$1FF. IOS provides an address decode of external memory (\$100-\$1FF) and can be used as a memory-page select or chip-select line.

TABLE 2 — SUMMARY OF MC6801/03 OPERATING MODES

| |
|------------------------------------------------------------------------------------------------------------------------------------------------------------------------------------------------------------------------------------------------------------------------------------------------------------------------------------------------------------------------------------------------------------------------------------------------------------------------------------------------------------------------------------------------------------|
| <p>Common to all Modes: Reserved Register Area Port 1 Port 2 Programmable Timer Serial Communications Interface</p> |
| <p>Single Chip Mode 7 128 bytes of RAM; 2048 bytes of ROM Port 3 is a parallel I/O port with two control lines Port 4 is a parallel I/O port SC1 is Input Strobe 3 ($\overline{IS3}$) SC2 is Output Strobe 3 ($\overline{OS3}$)</p> |
| <p>Expanded Non-Multiplexed Mode 5 128 bytes of RAM; 2048 bytes of ROM 256 bytes of external memory space Port 3 is an 8-bit data bus Port 4 is an input port/address bus SC1 is Input/Output Select (\overline{IOS}) SC2 is Read/Write (R/W)</p> |
| <p>Expanded Multiplexed Modes 1, 2, 3, 6* Four memory space options (64K address space): (1) No internal RAM or ROM (Mode 3) (2) Internal RAM, no ROM (Mode 2) (3) Internal RAM and ROM (Mode 1) (4) Internal RAM, ROM with partial address bus (Mode 6) Port 3 is a multiplexed address/data bus Port 4 is an address bus (inputs/address in Mode 6) SC1 is Address Strobe (AS) SC2 is Read/Write (R/W)</p> |
| <p>Test Modes 0 and 4 Expanded Multiplexed Test Mode 0 May be used to test RAM and ROM Single Chip and Non-Multiplexed Test Mode 4 (1) May be changed to Mode 5 without going through Reset (2) May be used to test Ports 3 and 4 as I/O ports</p> |

* The MC6803 operates only in modes 2 and 3.

3

FIGURE 11 — SINGLE-CHIP DUAL PROCESSOR CONFIGURATION

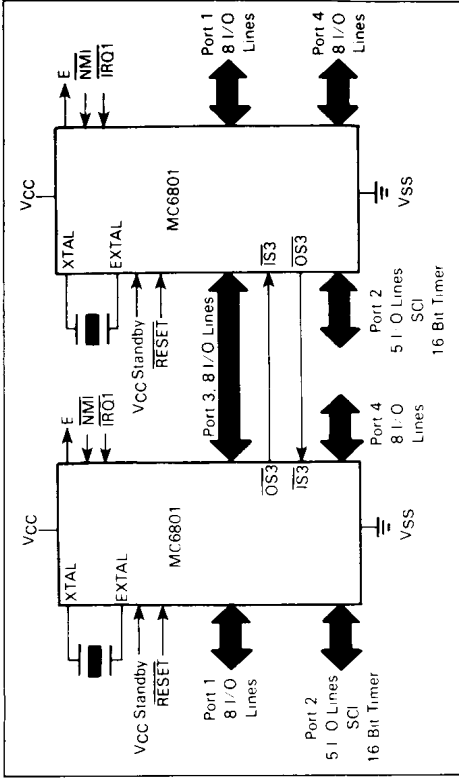


FIGURE 10 — SINGLE-CHIP MODE

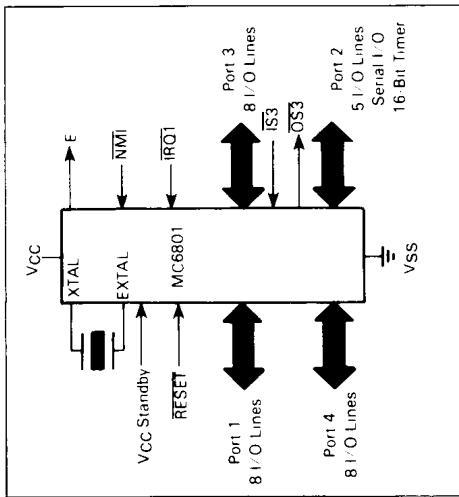
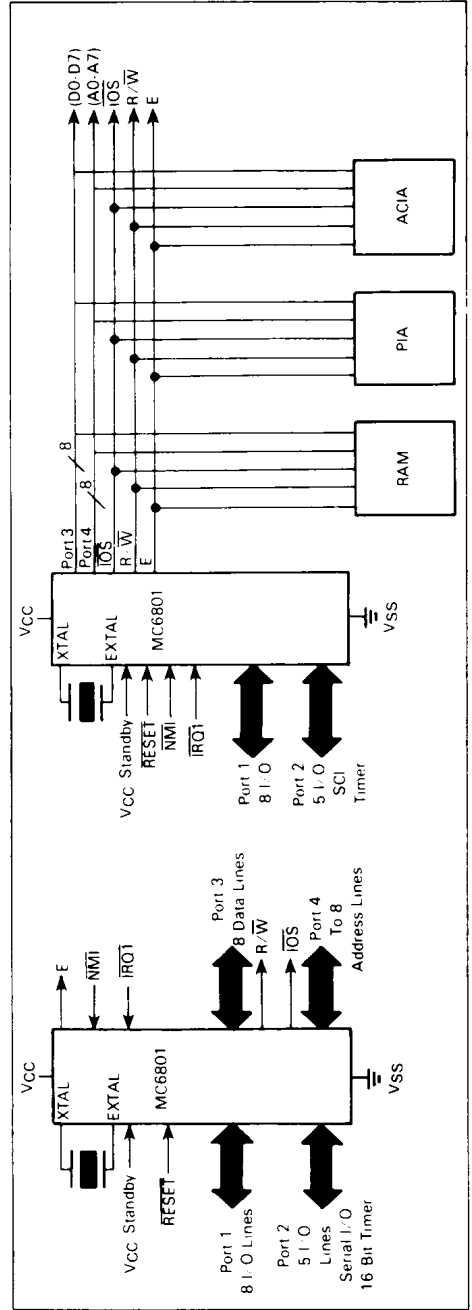


FIGURE 12 — EXPANDED NON-MULTIPLEXED CONFIGURATION



Expanded-Multiplex Modes (0, 1, 2, 3, 6)

A 64K byte memory space is provided in the expanded-multiplex modes. In each of the expanded-multiplexed modes port 3 functions as a time multiplexed address/data bus with address valid on the negative edge of address strobe (AS), and data valid while E is high. In modes 0 to 3, port 4 provides address lines A8 to A15. In mode 6, however, port 4 initially is configured at $\overline{\text{RESET}}$ as an input data port. The port 4 data direction register can then be changed to provide any combination of address lines, A8 to A15. Stated alternatively, any subset of A8 to A15 can be provided while retaining the remaining port 4 lines as input data lines. Internal pullup resistors pull the port 4 lines high until software configures the port.

In mode 0, the reset vector is external for the first two E cycles after the positive edge of $\overline{\text{RESET}}$, and internal thereafter. In addition, the internal and external data buses are connected so there must be no memory map overlap in order to avoid potential bus conflicts. Mode 0 is used primarily to verify the ROM pattern and monitor the internal data bus with the automated test equipment.

Only the MC6801 can operate in each of the expanded-multiplexed modes. The MC6803 operates only in modes 2 and 3.

Figure 13 depicts a typical configuration for the expanded-multiplexed modes. Address strobe can be used to control a transparent D-type latch to capture addresses A0-A7, as shown in Figure 14. This allows port 3 to function as a data bus when E is high.

PROGRAMMING THE MODE

The operating mode is determined at $\overline{\text{RESET}}$ by the levels asserted on P22, P21, and P20. These levels are latched into PC2, PC1, and PC0 of the program control register on the positive edge of $\overline{\text{RESET}}$. The operating mode may be read from the port 2 data register as shown below, and programming levels and timing must be met as shown in Figure 15. A brief outline of the operating modes is shown in Table 3. Note that if diodes are used to program the mode, the diode forward voltage drop must not exceed the V_{MPDD} minimum.

PORT 2 DATA REGISTER

| | | | | | | | | |
|-----|-----|-----|-----|-----|-----|-----|-----|-------|
| 7 | 6 | 5 | 4 | 3 | 2 | 1 | 0 | |
| PC2 | PC1 | PC0 | P24 | P23 | P22 | P21 | P20 | 50003 |

Circuitry to provide the programming levels is dependent primarily on the normal system usage of the three pins. If configured as outputs, the circuit shown in Figure 16 may be used; otherwise, three-state buffers can be used to provide isolation while programming the mode.

3

TABLE 3 — MODE SELECTION SUMMARY

| Mode* | P22 PC2 | P21 PC1 | P20 PC0 | ROM | RAM | Interrupt Vectors | Bus Mode | Operating Mode |
|-------|------------|------------|------------|------------------|------------------|----------------------|------------------------|--------------------------------|
| 7 | H | H | H | I | I | I | I | Single Chip |
| 6 | H | H | L | I | I | I | MUX ^(5, 6) | Multiplexed Partial Decode |
| 5 | H | L | H | I | I | I | NMUX ^(5, 6) | Non-Multiplexed Partial Decode |
| 4 | H | L | L | I ⁽²⁾ | I ⁽¹⁾ | I | I | Single-Chip Test |
| 3 | L | H | H | E | E | E | MUX ⁽⁴⁾ | Multiplexed No RAM or ROM* |
| 2 | L | H | L | E | I | E | MUX ⁽⁴⁾ | Multiplexed RAM |
| 1 | L | L | H | I | I | E | MUX ⁽⁴⁾ | Multiplexed RAM and ROM |
| 0 | L | L | L | I | I | I ⁽³⁾ | MUX ⁽⁴⁾ | Multiplexed Test |

Legend:

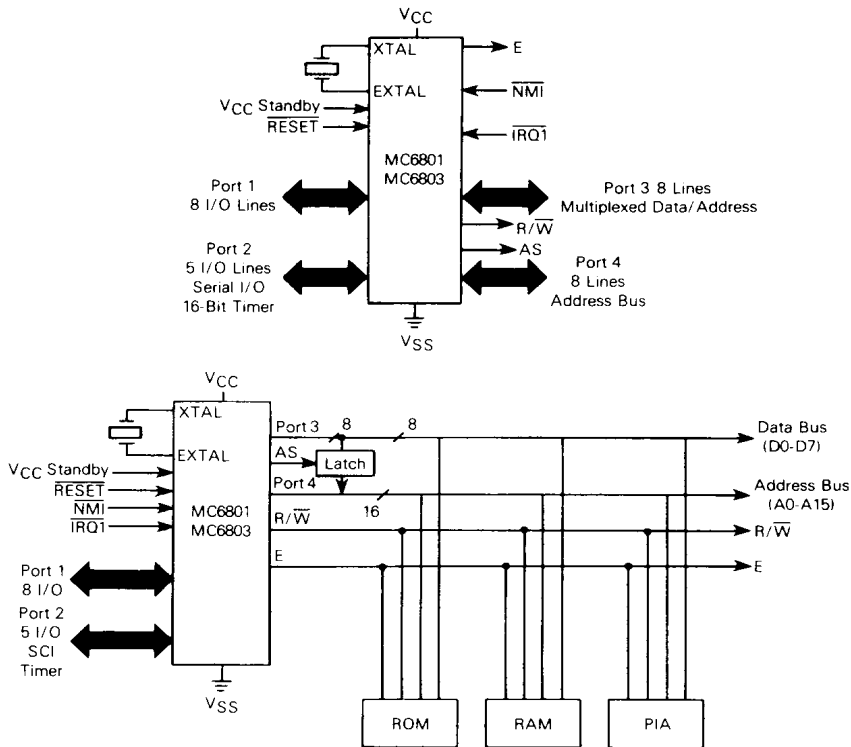
I — Internal
E — External
MUX — Multiplexed
NMUX — Non-Multiplexed
L — Logic Zero
H — Logic One

NOTES:

- (1) Internal RAM is addressed at \$XX80.
- (2) Internal ROM is disabled.
- (3) $\overline{\text{RESET}}$ vector is external for two cycles after $\overline{\text{RESET}}$ goes high.
- (4) Addresses associated with ports 3 and 4 are considered external in modes 0, 1, 2, and 3.
- (5) Addresses associated with port 3 are considered external in modes 5 and 6.
- (6) Port 4 default is user data input, address output is optional by writing to port 4 data direction register.

*The MC6803 operates only in modes 2 and 3.

FIGURE 13 — EXPANDED MULTIPLEXED CONFIGURATION



NOTE: To avoid data bus (port 3) contention in the expanded multiplexed modes, memory devices should be enabled only during E high time

FIGURE 14 — TYPICAL LATCH ARRANGEMENT

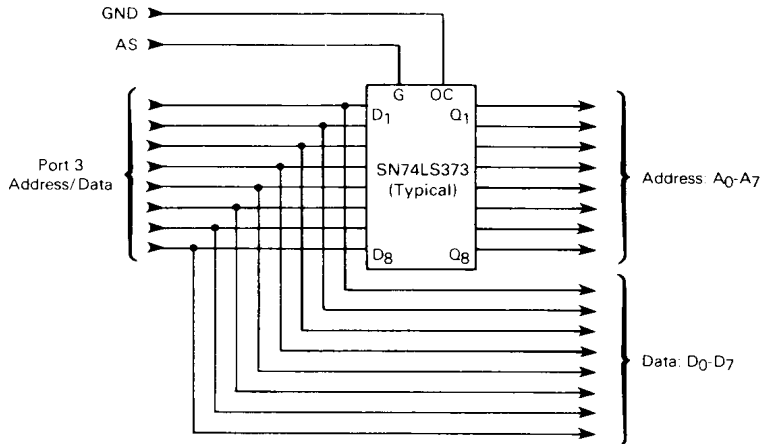
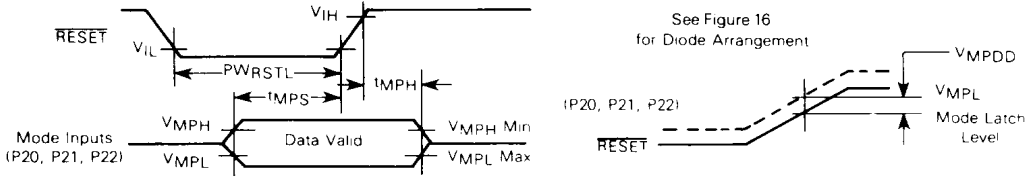


FIGURE 15 — MODE PROGRAMMING TIMING

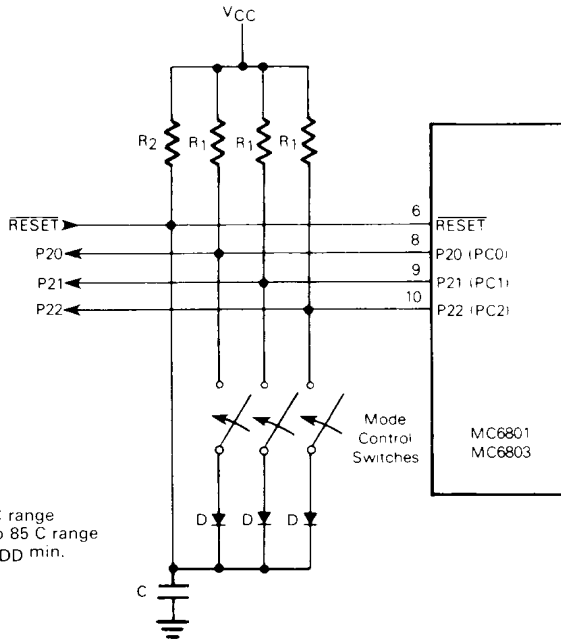


MODE PROGRAMMING (Refer to Figure 15)

| Characteristic | Symbol | Min | Max | Unit |
|----------------------------------------------------------------------------------|------------|-----|-----|----------|
| Mode Programming Input Voltage Low* (for $T_A = 0$ to 70 C) | V_{MPL} | — | 1.7 | V |
| Mode Programming Input Voltage High | V_{MPH} | 4.0 | — | V |
| Mode Programming Diode Differential (If Diodes are Used) (for $T_A = 0$ to 70 C) | V_{MPDD} | 0.4 | — | V |
| RESET Low Pulse Width | $PWRSTL$ | 3.0 | — | E Cycles |
| Mode Programming Setup Time | t_{MPS} | 2.0 | — | E Cycles |
| Mode Programming Hold Time | t_{MPH} | 0 | — | ns |
| RESET Rise Time $\geq 1 \mu s$ | | 100 | — | |
| RESET Rise Time $< 1 \mu s$ | | | — | |

Note: For $T_A = -40$ to 85°C, Maximum $V_{MPL} = 1.7$, and Minimum $V_{MPDD} = 0.4$.

FIGURE 16 — TYPICAL MODE PROGRAMMING CIRCUIT



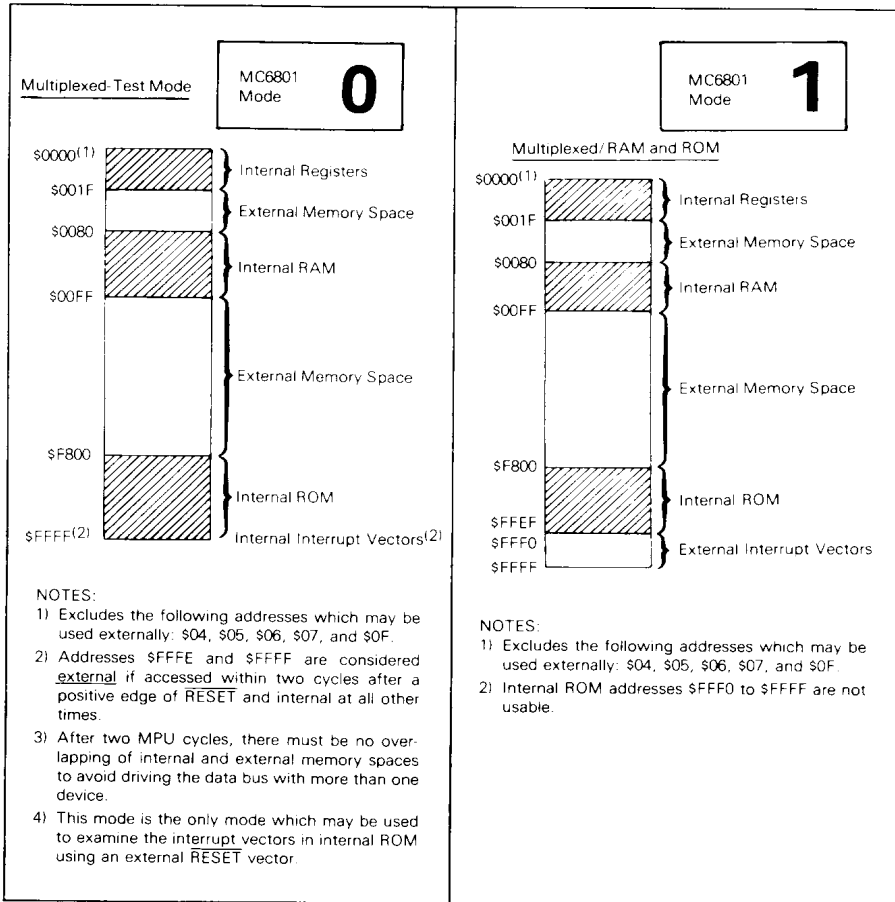
NOTES:

1. Mode 7 as shown
2. $R_2 \cdot C$ — Reset time constant
3. $R_1 = 10$ k (typical)
4. $D = IN914, IN4001$ in the 0 to 70°C range
 $D = 1N270, MBD201$ in the -40 to 85°C range
5. Diode V_f should not exceed V_{MPDD} min.

MEMORY MAPS

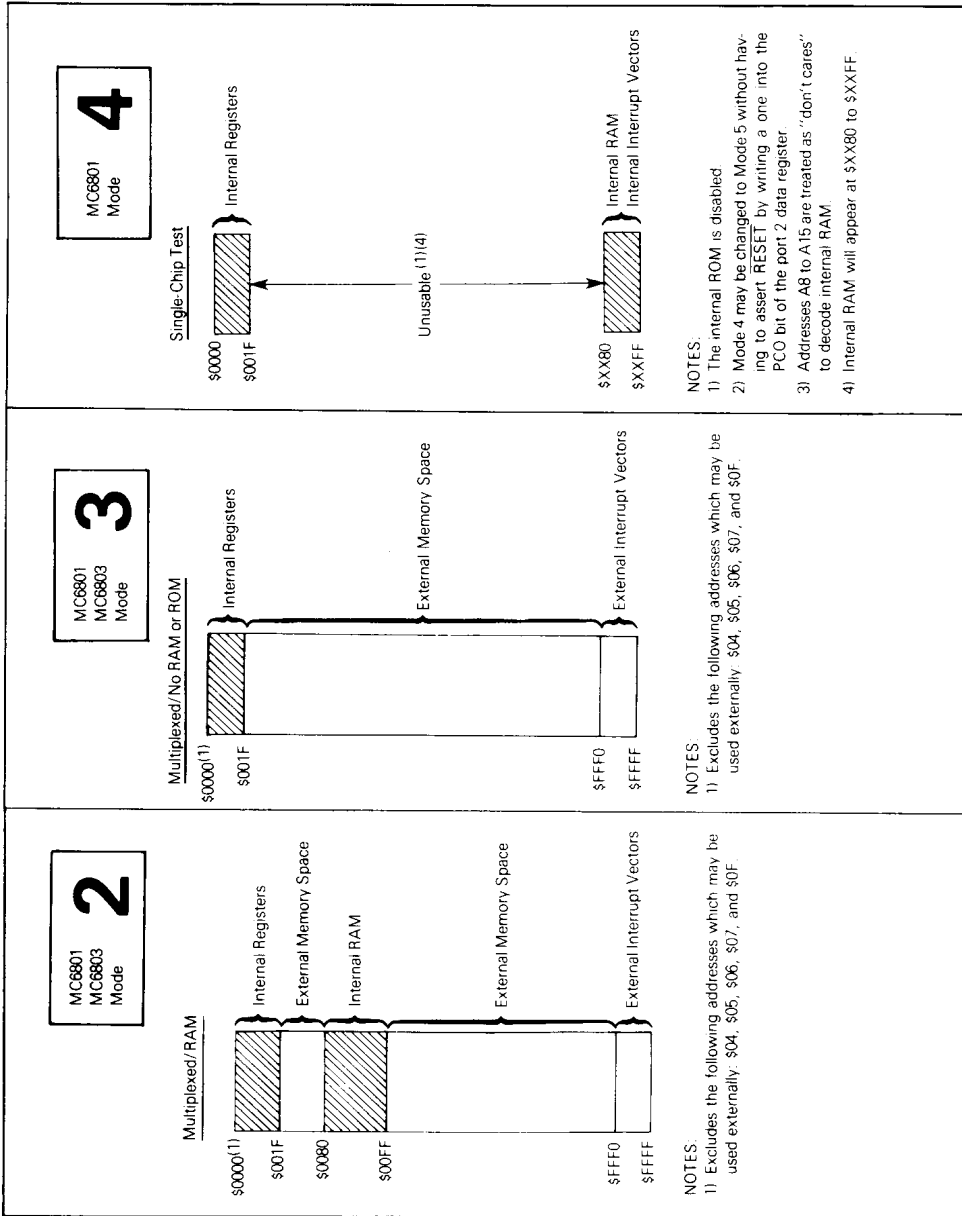
The M6801 Family can provide up to 64K byte address space depending on the operating mode. A memory map for each operating mode is shown in Figure 17. The first 32 locations of each map are reserved for the internal register area, as shown in Table 4, with exceptions as indicated.

FIGURE 17 — MC6801/03 MEMORY MAPS (Sheet 1 of 3)



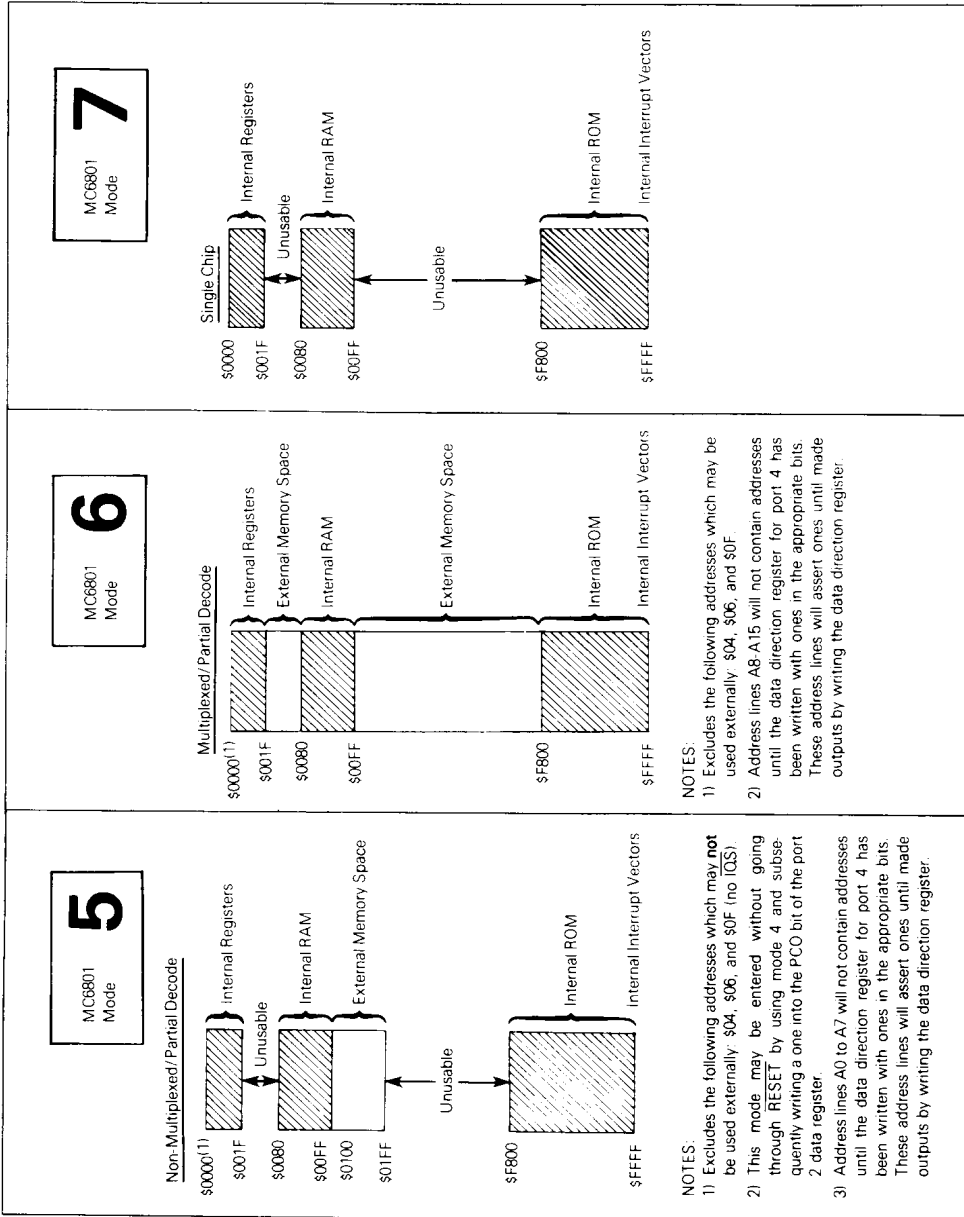
3

FIGURE 17 — MC6801/03 MEMORY MAPS (Sheet 2 of 3)



3

FIGURE 17 — MC6801/03 MEMORY MAPS (Sheet 3 of 3)



MC6801/03 INTERRUPTS

The M6801 Family supports two types of interrupt requests: maskable and non-maskable. A non-maskable interrupt (NMI) is always recognized and acted upon at the completion of the current instruction. Maskable interrupts are controlled by the condition code register I bit and by individual enable bits. The I bit controls all maskable interrupts. Of the maskable interrupts, there are two types: $\overline{IRQ1}$ and $\overline{IRQ2}$. The programmable timer and serial communications interface use an internal $\overline{IRQ2}$ interrupt line, as shown in Figure 1. External devices (and IS3) use $\overline{IRQ1}$. An $\overline{IRQ1}$ interrupt is serviced before $\overline{IRQ2}$ if both are pending.

All $\overline{IRQ2}$ interrupts use hardware prioritized vectors. The single SCI interrupt and three timer interrupts are serviced in a prioritized order and each is vectored to a separate location. All interrupt vector locations are shown in Table 5.

The interrupt flowchart is depicted in Figure 18 and is common to every interrupt excluding reset. During interrupt servicing the program counter, index register, A accumulator, B accumulator, and condition code register are pushed to the stack. The I bit is set to inhibit maskable interrupts and a vector is fetched corresponding to the current highest priority interrupt. The vector is transferred to the program counter and instruction execution is resumed. Interrupt and RESET timing are illustrated in Figures 19 and 20.

FUNCTIONAL PIN DESCRIPTIONS

VCC AND VSS

VCC and VSS provide power to a large portion of the MCU. The power supply should provide +5 volts ($\pm 5\%$) to VCC, and VSS should be tied to ground. Total power dissipation (including VCC standby), will not exceed PD milliwatts.

VCC STANDBY

VCC standby provides power to the standby portion (\$80 through \$BF) of the RAM and the STBY PWR and RAME bits of the RAM control register. Voltage requirements depend on whether the device is in a powerup or powerdown state. In the powerup state, the power supply should provide +5 volts ($\pm 5\%$) and must reach VSB volts before RESET reaches 4.0 volts. During powerdown, VCC standby must remain above VSB (min) to sustain the standby RAM and STBY PWR bit. While in powerdown operation, the standby current will not exceed ISB.

It is typical to power both VCC and VCC standby from the same source during normal operation. A diode must be used

between them to prevent supplying power to VCC during powerdown operation. VCC standby should be tied to ground in mode 3.

TABLE 4 — INTERNAL REGISTER AREA

| Register | Address |
|----------------------------------------------|---------|
| Port 1 Data Direction Register*** | 00 |
| Port 2 Data Direction Register*** | 01 |
| Port 1 Data Register | 02 |
| Port 2 Data Register | 03 |
| Port 3 Data Direction Register*** | 04* |
| Port 4 Data Direction Register*** | 05** |
| Port 3 Data Register | 06* |
| Port 4 Data Register | 07** |
| Timer Control and Status Register | 08 |
| Counter (High Byte) | 09 |
| Counter (Low Byte) | 0A |
| Output Compare Register (High Byte) | 0B |
| Output Compare Register (Low Byte) | 0C |
| Input Capture Register (High Byte) | 0D |
| Input Capture Register (Low Byte) | 0E |
| Port 3 Control and Status Register | 0F* |
| Rate and Mode Control Register | 10 |
| Transmit/Receive Control and Status Register | 11 |
| Receive Data Register | 12 |
| Transmit Data Register | 13 |
| RAM Control Register | 14 |
| Reserved | 15-1F |

* External addresses in modes 0, 1, 2, 3, 5, and 6, cannot be accessed in mode 5 in $\overline{IO\overline{S}}$

** External addresses in modes 0, 1, 2, and 3

*** 1 = Output, 0 = Input



TABLE 5 — MCU INTERRUPT VECTOR LOCATIONS

| MSB | LSB | Interrupt |
|------|------|------------------------------------------|
| FFFE | FFFF | RESET |
| FFFC | FFFD | NMI |
| FFFA | FFFB | Software Interrupt (SWI) |
| FFF8 | FFF9 | $\overline{IRQ1}$ (or $\overline{IS3}$) |
| FFF6 | FFF7 | ICF (Input Capture)* |
| FFF4 | FFF5 | OCF (Output Capture)* |
| FFF2 | FFF3 | TOF (Timer Overflow)* |
| FFF0 | FFF1 | SCI (RDRF + ORFE + TDRE)* |

* $\overline{IRQ2}$ Interrupt

FIGURE 18 — INTERRUPT FLOWCHART

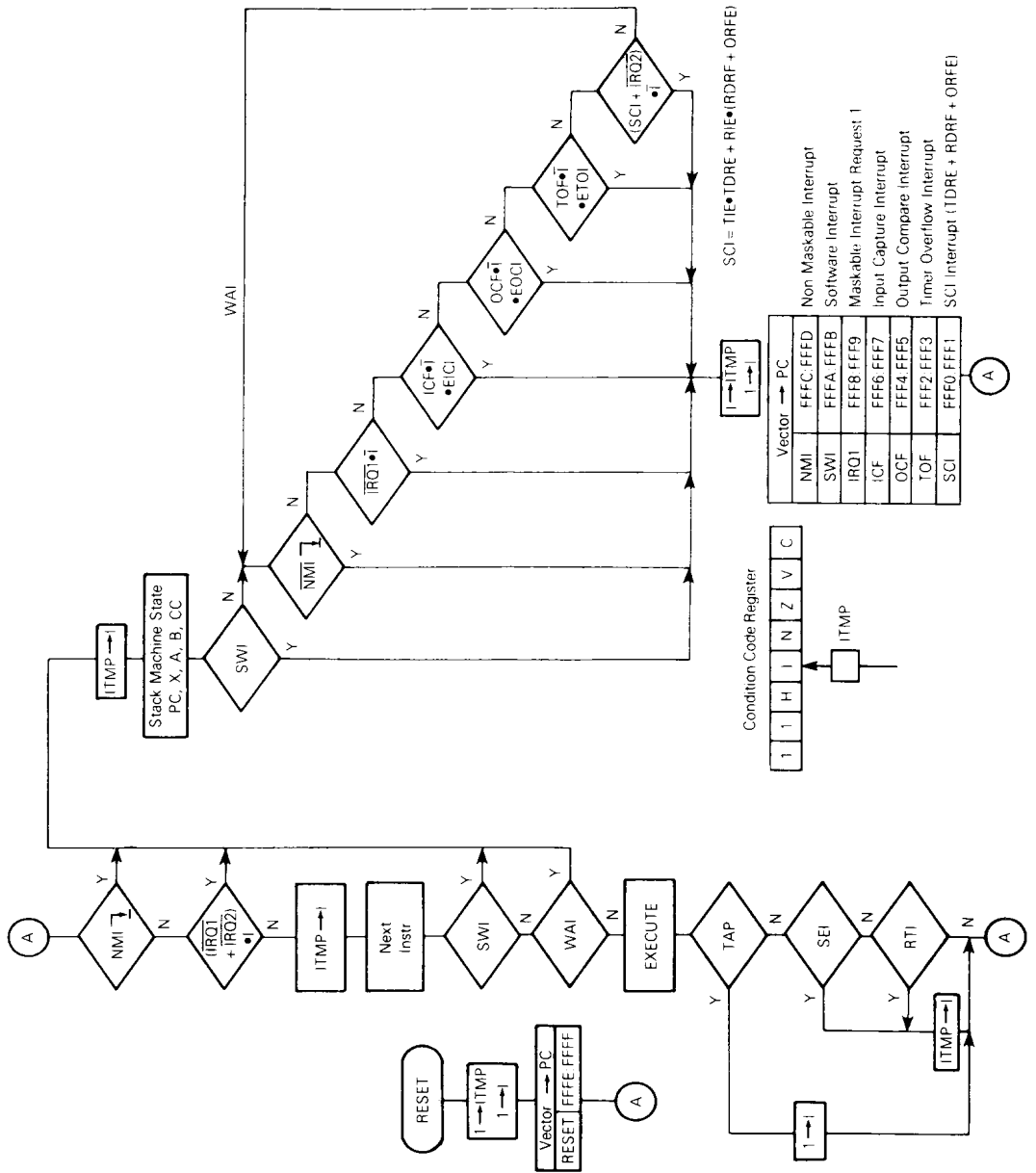


FIGURE 19 — INTERRUPT SEQUENCE

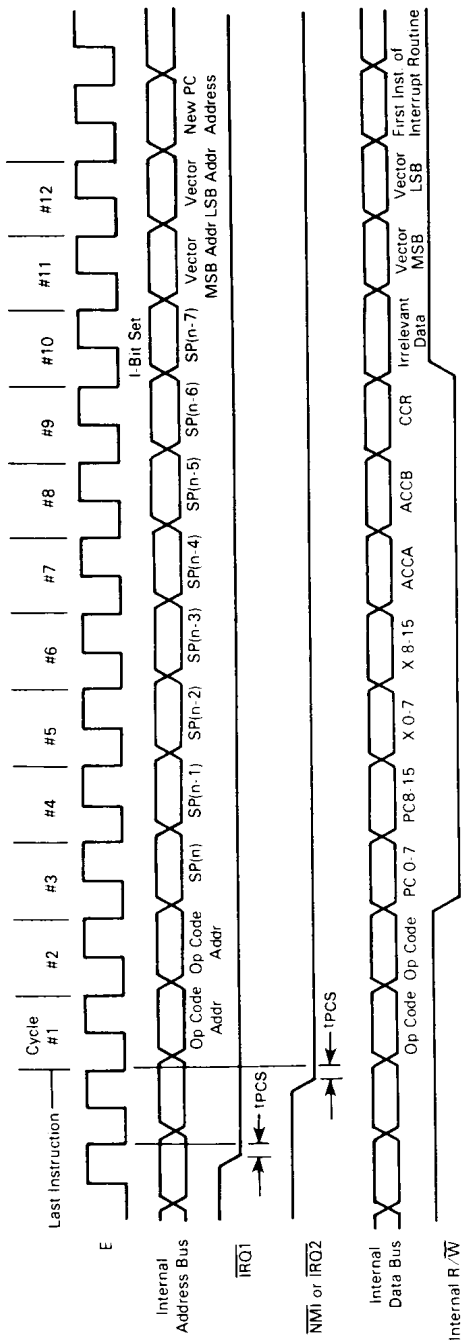
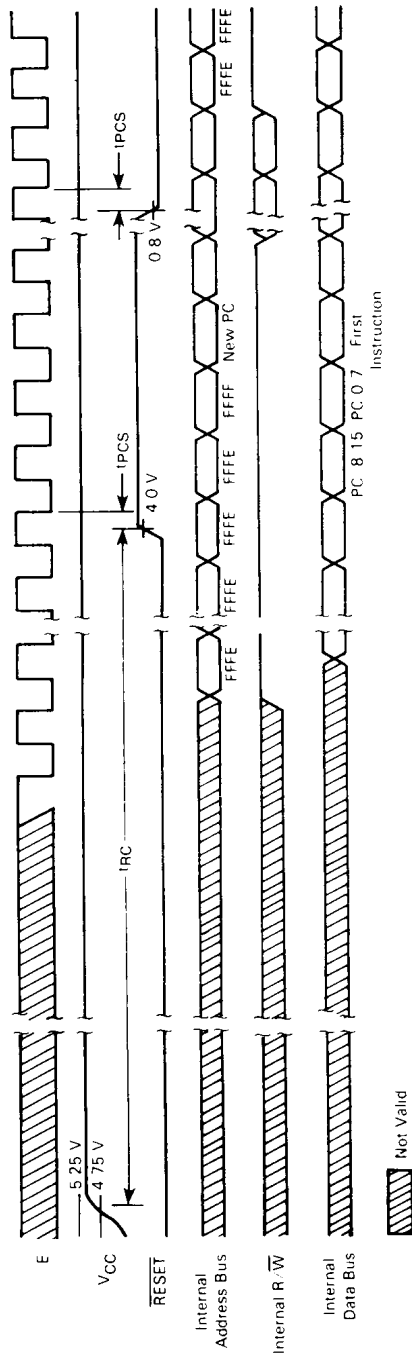


FIGURE 20 — RESET TIMING



XTAL AND EXTAL

These two input pins interface either a crystal or TTL-compatible clock to the MCU internal clock generator. Divide-by-four circuitry is included which allows use of the inexpensive 3.58 MHz or 4.4336 MHz Color Burst TV crystals. A 20 pF capacitor should be tied from each crystal pin to ground to ensure reliable startup and operation. Alternatively, EXTAL may be driven by an external TTL-compatible clock at $4f_0$ with a duty cycle of 50% ($\pm 5\%$) with XTAL connected to ground.

The internal oscillator is designed to interface with an AT-cut quartz crystal resonator operated in parallel resonance mode in the frequency range specified for f_{XTAL} . The crystal should be mounted as close as possible to the input pins to minimize output distortion and startup stabilization time.* The MCU is compatible with most commercially available crystals. Nominal crystal parameters are shown in Figure 21.

RESET

This input is used to reset the internal state of the device and provide an orderly startup procedure. During powerup, RESET must be held below 0.8 volts: (1) at least t_{RC} after V_{CC} reaches 4.75 volts in order to provide sufficient time for the clock generator to stabilize, and (2) until V_{CC} standby reaches 4.75 volts. RESET must be held low at least three E cycles if asserted during powerup operation.

E (ENABLE)

This is an output clock used primarily for bus synchronization. It is TTL compatible and is the slightly skewed divide-by-four result of the device input clock frequency. It will drive one Schottky TTL load and 90 pF, and all data given in cycles is referenced to this clock unless otherwise noted.

NON-MASKABLE INTERRUPT (\overline{NMI})

An \overline{NMI} negative edge requests an MCU interrupt sequence, but the current instruction will be completed before it responds to the request. The MCU will then begin an interrupt sequence. Finally, a vector is fetched from \$FFFC and \$FFFD, transferred to the program counter and instruction execution is resumed. \overline{NMI} typically requires a 3.3 k Ω (nominal) resistor to V_{CC} . There is no internal \overline{NMI} pullup resistor. \overline{NMI} must be held low for at least one E cycle to be recognized under all conditions.

MASKABLE INTERRUPT REQUEST 1 ($\overline{IRQ1}$)

$\overline{IRQ1}$ is a level-sensitive input which can be used to request an interrupt sequence. The MPU will complete the current instruction before it responds to the request. If the interrupt mask bit (I bit) in the condition code register is clear, the MCU will begin an interrupt sequence. A vector is fetched from \$FFF8 and \$FFF9, transferred to the program counter, and instruction execution is resumed.

$\overline{IRQ1}$ typically requires an external 3.3 k Ω (nominal) resistor to V_{CC} for wire-OR applications. $\overline{IRQ1}$ has no internal pullup resistor.

STROBE CONTROL 1 AND 2 (SC1 AND SC2)

The function of SC1 and SC2 depends on the operating mode. SC1 is configured as an output in all modes except single-chip mode, whereas SC2 is always an output. SC1 and SC2 can drive one Schottky load and 90 pF.

SC1 and SC2 In Single-Chip Mode

In single-chip mode, SC1 and SC2 are configured as an input and output, respectively, and both function as port 3 control lines. SC1 functions as $\overline{IS3}$ and can be used to indicate that port 3 input data is ready or output data has been accepted. Three options associated with $\overline{IS3}$ are controlled by port 3 control and status register and are discussed in the PORT 3 (P30-P37). If unused, $\overline{IS3}$ can remain unconnected.

SC2 is configured as $\overline{OS3}$ and can be used to strobe output data or acknowledge input data. It is controlled by output strobe select (OSS) in the port 3 control and status register. The strobe is generated by a read (OSS = 0) or write (OSS = 1) to the port 3 data register. $\overline{OS3}$ timing is shown in Figure 4.

SC1 and SC2 In Expanded Non-Multiplexed Mode

In the expanded non-multiplexed mode, both SC1 and SC2 are configured as outputs. SC1 functions as input/output select (\overline{IOS}) and is asserted only when \$0100 through \$01FF is sensed on the internal address bus.

SC2 is configured as read/write and is used to control the direction of data bus transfers. An MPU read is enabled when read/write and E are high.

SC1 and SC2 In Expanded-Multiplexed Mode

In the expanded-multiplexed mode, both SC1 and SC2 are configured as outputs. SC1 functions as address strobe and can be used to demultiplex the eight least-significant addresses and the data bus. A latch controlled by address strobe captures address on the negative edge, as shown in Figure 14.

SC2 is configured as read/write and is used to control the direction of data bus transfers. An MPU read is enabled when read/write and E are high.

PORT 1 (P10-P17)

Port 1 is a mode independent 8-bit I/O port with each line an input or output as defined by the port 1 data direction register. The TTL compatible three-state output buffers can drive one Schottky TTL load and 30 pF, Darlington transistors, or CMOS devices using external pullup resistors. It is configured as a data input port by RESET. Unused lines can remain unconnected.

PORT 2 (P20-P24)

PORT 2 DATA REGISTER

| | | | | | | | | |
|-----|-----|-----|-----|-----|-----|-----|-----|--------|
| 7 | 6 | 5 | 4 | 3 | 2 | 1 | 0 | |
| PC2 | PC1 | PC0 | P24 | P23 | P22 | P21 | P20 | \$0003 |

Port 2 is a mode-independent, 5-bit, multi-purpose I/O port. The voltage levels present on P20, P21, and P22 on the rising edge of RESET determine the operating mode of the MCU. The entire port is then configured as a data input port. The port 2 lines can be selectively configured as data output lines by setting the appropriate bits in the port 2 data direction register. The port 2 data register is used to move data through the port. However, if P21 is configured as an output, it will be tied to the timer output compare function and cannot be used to provide output from the port 2 data register.

* Devices made with masks subsequent to M5G, M8D, and T5P incorporate an advanced clock with improved startup characteristics.

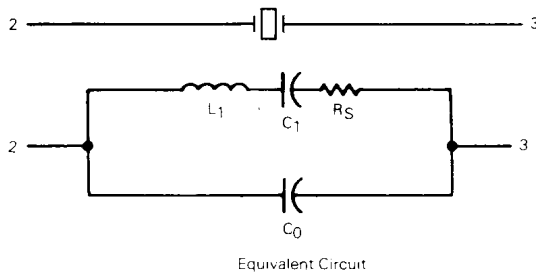
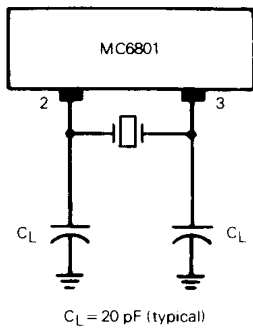
FIGURE 21 — M6801 FAMILY OSCILLATOR CHARACTERISTICS

(a) Nominal Recommended Crystal Parameters

Nominal Crystal Parameters*

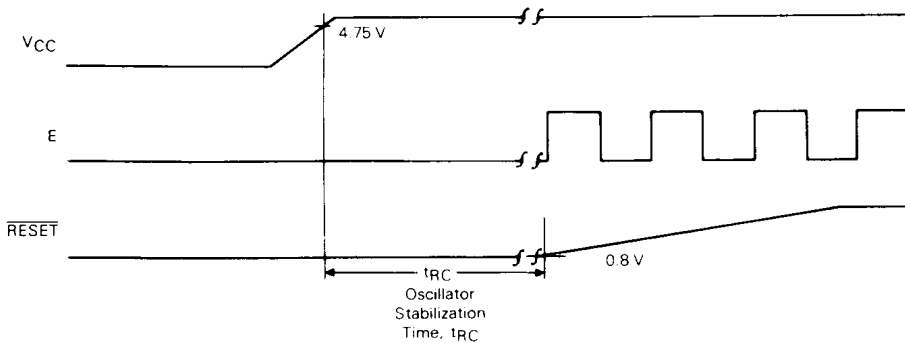
| | 3.58 MHz | 4.00 MHz | 5.0 MHz | 6.0 MHz | 8.0 MHz |
|-------|-------------|-------------|----------------|----------------|----------------|
| R_S | 60 Ω | 50 Ω | 30-50 Ω | 30-50 Ω | 20-40 Ω |
| C_0 | 3.5 pF | 6.5 pF | 4-6 pF | 4-6 pF | 4-6 pF |
| C_1 | 0.015 pF | 0.025 pF | 0.01-0.02 pF | 0.01-0.02 pF | 0.01-0.02 pF |
| Q | >40 K | >30 K | >20 K | >20 K | >20 K |

*NOTE: These are representative AT-cut crystal parameters only. Crystals of other types of cut may also be used.



NOTE
 TTL-compatible oscillators may be obtained from:
 Motorola Component Products
 Attn: Data Clock Sales
 2563 N. Edgington St.
 Franklin Park, IL 60131
 Tel: 312-451-1000
 Telex: 433-0067

(b) Oscillator Stabilization Time (t_{RC})



3

Port 2 can also be used to provide an interface for the serial communications interface and the timer input edge function. These configurations are described in **PROGRAMMABLE TIMER** and **SERIAL COMMUNICATIONS INTERFACE (SCI)**.

The port 2 high-impedance TTL-compatible output buffers are capable of driving one Schottky TTL load and 30 pF, or CMOS devices using external pullup resistors.

PORT 3 (P30-P37)

Port 3 can be configured as an I/O port, a bidirectional 8-bit data bus, or a multiplexed address/data bus depending on the operating mode. The TTL-compatible high-impedance output buffers can drive one Schottky TTL load and 90 pF. Unused lines can remain unconnected.

Port 3 In Single-Chip Mode

Port 3 is an 8-bit I/O port in the single-chip mode, with each line configured by the port 3 data direction register. There are also two lines, $\overline{IS3}$ and $\overline{OS3}$, which can be used to control port 3 data transfers.

Three port 3 options are controlled by the port 3 control and status register and are available only in single-chip mode: (1) port 3 input data can be latched using $\overline{IS3}$ as a control signal, (2) $\overline{OS3}$ can be generated by either an MPU read or write to the port 3 data register, and (3) an $\overline{IRQ1}$ interrupt can be enabled by an $\overline{IS3}$ negative edge. Port 3 latch timing is shown in Figure 5.

PORT 3 CONTROL AND STATUS REGISTER

| | | | | | | | | |
|----------|-----------------|---|-----|--------------|---|---|---|--------|
| 7 | 6 | 5 | 4 | 3 | 2 | 1 | 0 | |
| IS3 Flag | IS3 IRQ1 Enable | X | OSS | Latch Enable | X | X | X | \$000F |

- Bit 0-2 Not used.
- Bit 3 LATCH ENABLE. This bit controls the input latch for port 3. If set, input data is latched by an $\overline{IS3}$ negative edge. The latch is transparent after a read of the port 3 data register. LATCH ENABLE is cleared during reset.
- Bit 4 OSS (Output Strobe Select). This bit determines whether $\overline{OS3}$ will be generated by a read or write of the port 3 data register. When clear, the strobe is generated by a read; when set, it is generated by a write. OSS is cleared during reset.
- Bit 5 Not used.
- Bit 6 IS3 IRQ1 ENABLE. When set, an $\overline{IRQ1}$ interrupt will be enabled whenever $\overline{IS3}$ FLAG is set; when clear, the interrupt is inhibited. This bit is cleared during reset.
- Bit 7 IS3 FLAG. This read-only status bit is set by an $\overline{IS3}$ negative edge. It is cleared by a read or write to the port 3 control and status register (with $\overline{IS3}$ FLAG set) followed by a read or write to the port 3 data register or during reset.

Port 3 In Expanded Non-Multiplexed Mode

Port 3 is configured as a bidirectional data bus (D7-D0) in the expanded non-multiplexed mode. The direction of data transfers is controlled by read/write (SC2). Data is clocked by E (enable).

Port 3 In Expanded-Multiplexed Mode

Port 3 is configured as a time multiplexed address (A0-A7) and data bus (D7-D0) in the expanded-multiplexed modes, where address strobe (AS) can be used to demultiplex the two buses. Port 3 is held in a high-impedance state between valid address and data to prevent bus conflicts.

PORT 4 (P40-P47)

Port 4 is configured as an 8-bit I/O port, as address outputs, or as data inputs depending on the operating mode. Port 4 can drive one Schottky TTL load and 90 pF and is the only port with internal pullup resistors. Unused lines can remain unconnected.

Port 4 In Single-Chip Mode

In single-chip mode, port 4 functions as an 8-bit I/O port with each line configured by the port 4 data direction register. Internal pullup resistors allow the port to directly interface with CMOS at 5 volt levels. External pullup resistors to more than 5 volts, however, cannot be used.

Port 4 In Expanded Non-Multiplexed Mode

Port 4 is configured from reset as an 8-bit input port, where the port 4 data direction register can be written to provide any or all of eight address lines, A0 to A7. Internal pullup resistors pull the lines high until the port 4 data direction register is configured.

Port 4 In Expanded-Multiplexed Mode

In all expanded-multiplexed modes except mode 6, port 4 functions as half of the address bus and provides A8 to A15. In mode 6, the port is configured from reset as an 8-bit parallel input port, where the port 4 data direction register can be written to provide any or all of upper address lines A8 to A15. Internal pullup resistors pull the lines high until the port 4 data direction register is configured, where bit 0 controls A8.

RESIDENT MEMORY

The MC6801 provides 2048 bytes of on-chip ROM and 128 bytes of on-chip RAM.

One half of the RAM is powered through the V_{CC} standby pin and is maintainable during V_{CC} powerdown. This standby portion of the RAM consists of 64 bytes located from \$80 through \$BF.

Power must be supplied to V_{CC} standby if the internal RAM is to be used regardless of whether standby power operation is anticipated.

The RAM is controlled by the RAM control register.

RAM CONTROL REGISTER (\$14)

The RAM control register includes two bits which can be used to control RAM accesses and determine the adequacy of the standby power source during powerdown operation. It is intended that RAME be cleared and STBY PWR be set as part of a powerdown procedure.



RAM CONTROL REGISTER

| | | | | | | | |
|----------|------|---|---|---|---|---|---|
| 7 | 6 | 5 | 4 | 3 | 2 | 1 | 0 |
| STBY PWR | RAME | X | X | X | X | X | X |

standby RAM is not valid. This bit can be set only by software and is not affected during reset.

PROGRAMMABLE TIMER

- Bit 0-5 Not used.
- Bit 6 RAME RAM Enable. This read/write bit can be used to remove the entire RAM from the internal memory map. RAME is set (enabled) during reset provided standby power is available on the positive edge of RESET. If RAME is clear, any access to a RAM address is external. If RAME is set and not in mode 3, the RAM is included in the internal map.
- Bit 7 STBY PWR Standby Power. This bit is a read/write status bit which, when once set, remains set as long as V_{CC} standby remains above V_{SBB} (minimum). As long as this bit is set following a period of standby operation, the standby power supply has adequately preserved the data in the standby RAM. If this bit is cleared during a period of standby operation, it indicates that V_{CC} standby had fallen to a level sufficiently below V_{SBB} (minimum) to suspect that data in the

The programmable timer can be used to perform input waveform measurements while independently generating an output waveform. Pulse widths can vary from several microseconds to many seconds. A block diagram of the timer is shown in Figure 22.

COUNTER (\$09:0A)

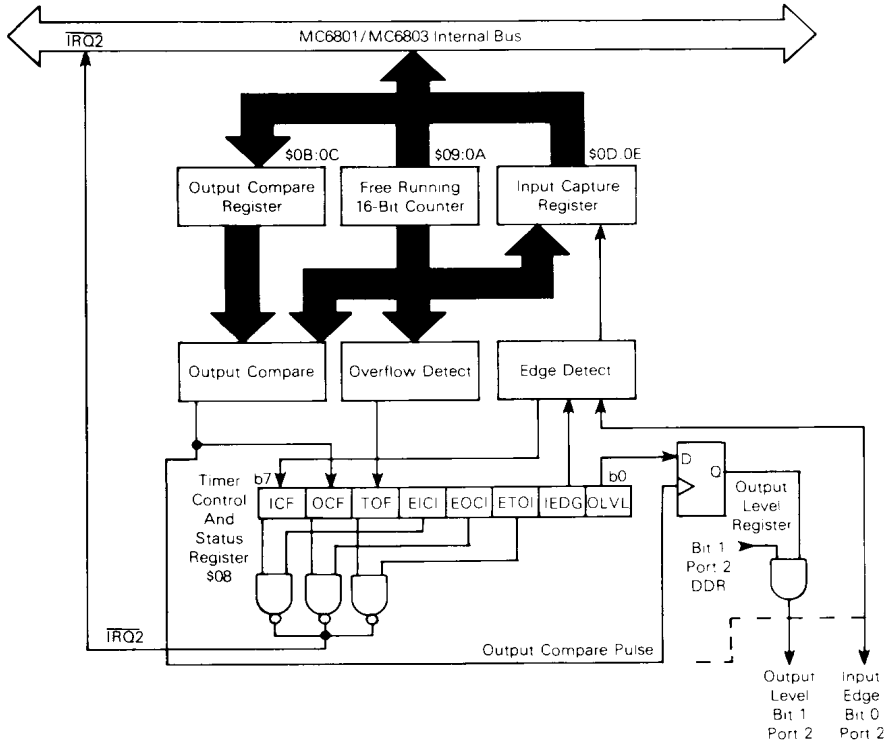
The key timer element is a 16-bit free-running counter which is incremented by E (enable). It is cleared during reset and is read-only with one exception: a write to the counter (\$09) will preset it to \$FFF8. This feature, intended for testing, can disturb serial operations because the counter provides the SCI internal bit rate clock. TOF is set whenever the counter contains all ones.

OUTPUT COMPARE REGISTER (\$0B:0C)

The output compare register is a 16-bit read-write register used to control an output waveform or provide an arbitrary timeout flag. It is compared with the free-running counter on each E cycle. When a match occurs, OCF is set and OLVL is clocked to an output level register. If port 2, bit 1, is configured as an output, OLVL will appear at P21 and the output compare register and OLVL can then be changed for the next



FIGURE 22 — BLOCK DIAGRAM OF PROGRAMMABLE TIMER



compare. The function is inhibited for one cycle after a write to its high byte (\$0B) to ensure a valid compare. The output compare register is set to \$FFFF at RESET.

INPUT CAPTURE REGISTER (\$0D:0E)

The input capture register is a 16-bit read-only register used to store the free-running counter when a "proper" input transition occurs as defined by IEDG. Port 2, bit 0 should be configured as an input, but the edge detect circuit always senses P20 even when configured as an output. An input capture can occur independently of ICF: the register always contains the most current value. Counter transfer is inhibited, however, between accesses of a double byte MPU read. The input pulse width must be at least two E cycles to ensure an input capture under all conditions.

TIMER CONTROL AND STATUS REGISTER (\$08)

The timer control and status register (TCSR) is an 8-bit register of which all bits are readable, while only bits 0-4 can be written. The three most-significant bits provide the timer status and indicate if:

- a proper level transition has been detected,
- a match has occurred between the free-running counter and the output compare register, and
- the free-running counter has overflowed.

Each of the three events can generate an $\overline{IRQ2}$ interrupt and is controlled by an individual enable bit in the TCSR.

TIMER CONTROL AND STATUS REGISTER (TCSR)

| | | | | | | | | |
|-----|-----|-----|------|------|------|------|------|--------|
| 7 | 6 | 5 | 4 | 3 | 2 | 1 | 0 | |
| ICF | OCF | TOF | EICI | EOCI | ETOI | IEDG | OLVL | \$0008 |

- Bit 0 OLVL Output Level. OLVL is clocked to the output level register by a successful output compare and will appear at P21 if bit 1 of the port 2 data direction register is set. It is cleared during reset.
- Bit 1 IEDG Input Edge. IEDG is cleared during reset and controls which level transition will trigger a counter transfer to the input capture register:
IEDG = 0 Transfer on a negative-edge
IEDG = 1 Transfer on a positive-edge.
- Bit 2 ETOI Enable Timer Overflow Interrupt. When set, an $\overline{IRQ2}$ interrupt is enabled for a timer overflow; when clear, the interrupt is inhibited. It is cleared during reset.
- Bit 3 EOCI Enable Output Compare Interrupt. When set, an $\overline{IRQ2}$ interrupt is enabled for an output compare; when clear, the interrupt is inhibited. It is cleared during reset.
- Bit 4 EICI Enable Input Capture Interrupt. When set, an $\overline{IRQ2}$ interrupt is enabled for an input capture; when clear, the interrupt is inhibited. It is cleared during reset.

- Bit 5 TOF Timer Overflow Flag. TOF is set when the counter contains all ones. It is cleared by reading the TCSR (with TOF set) then reading the counter high byte (\$09), or during reset.
- Bit 6 OCF Output Compare Flag. OCF is set when the output compare register matches the free-running counter. It is cleared by reading the TCSR (with OCF set) and then writing to the output compare register (\$0B or \$0C), or during reset.
- Bit 7 ICF Input Capture Flag. ICF is set to indicate a proper level transition; it is cleared by reading the TCSR (with ICF set) and then the input capture register high byte (\$0D), or during reset.

SERIAL COMMUNICATIONS INTERFACE (SCI)

A full-duplex asynchronous serial communications interface (SCI) is provided with two data formats and a variety of rates. The SCI transmitter and receiver are functionally independent, but use the same data format and bit rate. Serial data formats include standard mark/space (NRZ) and Bi-phase and both provide one start bit, eight data bits, and one stop bit. "Baud" and "bit rate" are used synonymously in the following description.

WAKE-UP FEATURE

In a typical serial loop multi-processor configuration, the software protocol will usually identify the address(s) at the beginning of the message. In order to permit uninterested MPU's to ignore the remainder of the message, a wake-up feature is included whereby all further SCI receiver flag (and interrupt) processing can be inhibited until its data line goes idle. An SCI receiver is re-enabled by an idle string of eleven consecutive ones or during reset. Software must provide for the required idle string between consecutive messages and prevent it within messages.

PROGRAMMABLE OPTIONS

The following features of the SCI are programmable:

- format: standard mark/space (NRZ) or Bi-phase
- clock: external or internal bit rate clock
- Baud: one of four per E clock frequency, or external clock ($\times 8$ desired baud)
- wake-up feature: enabled or disabled
- interrupt requests: enabled individually for transmitter and receiver
- clock output: internal bit rate clock enabled or disabled to P22

SERIAL COMMUNICATIONS REGISTERS

The serial communications interface includes four addressable registers as depicted in Figure 23. It is controlled by the rate and mode control register and the transmit/receive control and status register. Data is transmitted and



received utilizing a write-only transmit register and a read-only receive register. The shift registers are not accessible to software.

Rate and Mode Control Registers (RMCR) (\$10)

The rate and mode control register controls the SCI bit rate, format, clock source, and under certain conditions, the configuration of P22. The register consists of four write-only bits which are cleared during reset. The two least-significant bits control the bit rate of the internal clock and the remaining two bits control the format and clock source.

RATE AND MODE CONTROL REGISTER (RMCR)

| | | | | | | | | |
|---|---|---|---|-----|-----|-----|-----|--------|
| 7 | 6 | 5 | 4 | 3 | 2 | 1 | 0 | |
| X | X | X | X | CC1 | CC0 | SS1 | SS0 | \$0010 |

Bit 1:Bit 0

SS1:SS0 Speed Select. These two bits select the baud rate when using the internal clock. Four rates may be selected which are a function of the MCU input frequency. Table 6 lists bit

Bit 3:Bit 2

time and rates for three selected MCU frequencies.

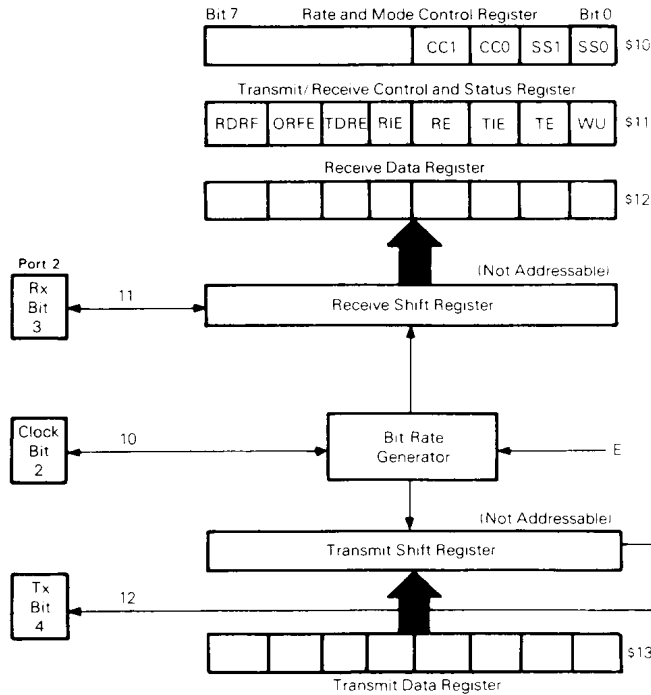
CC1:CC0 Clock Control and Format Select. These two bits control the format and select the serial clock source. If CC1 is set, the DDR value for P22 is forced to the complement of CC0 and cannot be altered until CC1 is cleared. If CC1 is cleared after having been set, its DDR value is unchanged. Table 7 defines the formats, clock source, and use of P22.

If both CC1 and CC0 are set, an external TTL-compatible clock must be connected to P22 at eight times (8X) the desired bit rate, but not greater than E, with a duty cycle of 50% (± 10%). If CC1:CC0 = 10, the internal bit rate clock is provided at P22 regardless of the values for TE or RE.

NOTE: The source of SCI internal bit rate clock is the timer free-running counter. An MPU write to the counter can disturb serial operations.



FIGURE 23 — SCI REGISTERS



Transmit/Receive Control And Status Register (TRCSR) (\$11)

The transmit/receive control and status register controls the transmitter, receiver, wake-up feature, and two individual interrupts and monitors the status of serial operations. All eight bits are readable while bits 0 to 4 are also writable. The register is initialized to \$20 by RESET.

TRANSMIT/RECEIVE CONTROL AND STATUS REGISTER (TRCSR)

| | | | | | | | | |
|------|------|------|-----|----|-----|----|----|--------|
| 7 | 6 | 5 | 4 | 3 | 2 | 1 | 0 | |
| RDRF | ORFE | TDRE | RIE | RE | TIE | TE | WU | \$0011 |

- Bit 0 WU "Wake-up" on Idle Line. When set, WU enables the wake-up function; it is cleared by eleven consecutive ones or during reset. WU will not set if the line is idle.
- Bit 1 TE Transmit Enable. When set, P24 DDR bit is set, cannot be changed, and will remain set if TE is subsequently cleared. When TE is changed from clear to set, the transmitter is connected to P24 and a preamble of nine consecutive ones is transmitted. TE is cleared during reset.
- Bit 2 TIE Transmit Interrupt Enable. When set, an $\overline{\text{IRQ2}}$ interrupt is enabled when TDRE is set; when clear, the interrupt is inhibited. TE is cleared during reset.
- Bit 3 RE Receive Enable. When set, the P23 DDR bit is cleared, cannot be changed, and will remain clear if RE is subsequently cleared. While RE is set, the SCI receiver is enabled. RE is cleared during reset.
- Bit 4 RIE Receiver Interrupt Enable. When set, an $\overline{\text{IRQ2}}$ interrupt is enabled when

Bit 5 TDRE

Bit 6 ORFE

Bit 7 RDRF

RDRF and/or ORFE is set; when clear, the interrupt is inhibited. RIE is cleared during reset.

Transmit Data Register Empty. TDRE is set when the transmit data register is transferred to the output serial shift register or during reset. It is cleared by reading the TRCSR (with TDRE set) and then writing to the transmit data register. Additional data will be transmitted only if TDRE has been cleared.

Overrun Framing Error. If set, ORFE indicates either an overrun or framing error. An overrun is a new byte ready to transfer to the receiver data register with RDRF still set. A receiver framing error has occurred when the byte boundaries of the bit stream are not synchronized to the bit counter. An overrun can be distinguished from a framing error by the state of RDRF. If RDRF is set, then an overrun has occurred; otherwise a framing error has been detected. Data is not transferred to the receive data register in an overrun condition. Unframed data causing a framing error is transferred to the receive data register. However, subsequent data transfer is blocked until the framing error flag is cleared. * ORFE is cleared by reading the TRCSR (with ORFE set) then the receive data register, or during reset.

Receive Data Register Full. RDRF is set when the input serial shift register is transferred to the receive data register. It is cleared by reading the TRCSR (with RDRF set), and then the receive data register, or during reset.

TABLE 6 — SCI BIT TIMES AND RATES

| SS1:SS0 | | $4f_o \rightarrow$ | 2.4576 MHz | 4.0 MHz | 4.9152 MHz |
|------------------|---|--------------------|--------------------------|--------------------------|--------------------------|
| | | E | 614.4 kHz | 1.0 MHz | 1.2288 MHz |
| 0 | 0 | + 16 | 26 μ s/38,400 Baud | 16 μ s/62,500 Baud | 13.0 μ s/76,800 Baud |
| 0 | 1 | + 128 | 208 μ s/4,800 Baud | 128 μ s/7812.5 Baud | 104.2 μ s/9,600 Baud |
| 1 | 0 | + 1024 | 1.67 ms/600 Baud | 1.024 ms/976.6 Baud | 833.3 μ s/1,200 Baud |
| 1 | 1 | + 4096 | 6.67 ms/150 Baud | 4.096 ms/244.1 Baud | 3.33 ms/300 Baud |
| * External (P22) | | | 13.0 μ s/76,800 Baud | 8.0 μ s/125,000 Baud | 6.5 μ s/153,600 Baud |

* Using maximum clock rate

TABLE 7 — SCI FORMAT AND CLOCK SOURCE CONTROL

| CC1:CC0 | Format | Clock Source | Port 2 Bit 2 |
|---------|----------|--------------|--------------|
| 00 | Bi-Phase | Internal | Not Used |
| 01 | NRZ | Internal | Not Used |
| 10 | NRZ | Internal | Output |
| 11 | NRZ | External | Input |

* Devices made with mask number M5G, M8D, and T5P do not transfer unframed data to the receive data register.

SERIAL OPERATIONS

The SCI is initialized by writing control bytes first to the rate and mode control register and then to the transmit/receive control and status register. When TE is set, the output of the transmit serial shift register is connected to P24 and serial output is initiated by transmitting a 9-bit preamble of ones.

At this point one of two situations exist: 1) if the transmit data register is empty (TDRE=1), a continuous string of ones will be sent indicating an idle line, or 2) if a byte has been written to the transmit-data register (TDRE=0), it will be transferred to the output serial shift register (synchronized with the bit rate clock), TDRE will be set, and transmission will begin.

The start bit (0), eight data bits (beginning with bit 0) and a stop bit (1), will be transmitted. If TDRE is still set when the next byte transfer should occur, ones will be sent until more data is provided. In Bi-phase format, the output toggles at the start of each bit and at half-bit time when a one is sent. Receive operation is controlled by RE which configures P23 as an input and enables the receiver. SCI data formats are illustrated in Figure 24.

INSTRUCTION SET

The MC6801/03 is upward source and object code compatible with the MC6800. Execution times of key instructions have been reduced and several new instructions have been added, including a hardware multiply. A list of new operations added to the MC6800 instruction set is shown in Table 1.

In addition, two new special opcodes, 4E and 5E, are provided for test purposes. These opcodes force the program counter to increment like a 16-bit counter, causing address lines used in the expanded modes to increment until the device is reset. These opcodes have no mnemonics.

The coding of the first (or only) byte corresponding to an

executable instruction is sufficient to identify the instruction and the addressing mode. The hexadecimal equivalents of the binary codes, which result from the translation of the 82 instructions in all valid modes of addressing, are shown in Table 8. There are 220 valid machine codes, 34 unassigned codes, and 2 codes reserved for test purposes.

PROGRAMMING MODEL

A programming model for the MC6801/03 is shown in Figure 10. Accumulator A can be concatenated with accumulator B and jointly referred to as accumulator D where A is the most-significant byte. Any operation which modifies the double accumulator will also modify accumulator A and/or B. Other registers are defined as follows:

Program Counter — The program counter is a 16-bit register which always points to the next instruction.

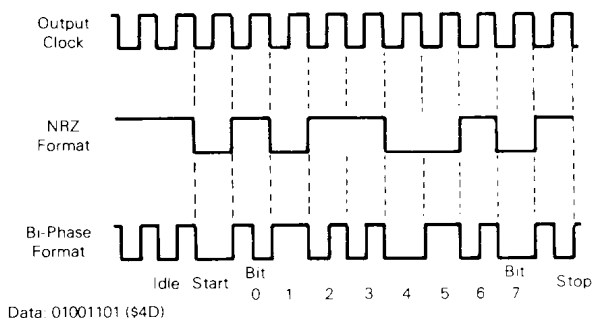
Stack Pointer — The stack pointer is a 16-bit register which contains the address of the next available location in a pushdown/pullup (LIFO) queue. The stack resides in random access memory at a location defined by the programmer.

Index Register — The index register is a 16-bit register which can be used to store data or provide an address for the indexed mode of addressing.

Accumulators — The MPU contains two 8-bit accumulators, A and B, which are used to store operands and results from the arithmetic logic unit (ALU). They can also be concatenated and referred to as the D (double) accumulator.

Condition Code Registers — The condition code register indicates the results of an instruction and includes the following five condition bits: negative (N), zero (Z), overflow (V), carry/borrow from MSB (C), and half carry from bit 3 (H). These bits are testable by the conditional branch instructions. Bit 4 is the interrupt mask (I bit) and inhibits all maskable interrupts when set. The two unused bits, B6 and B7, are read as ones.

FIGURE 24 — SCI DATA FORMATS



ADDRESSING MODES

Six addressing modes can be used to reference memory. A summary of addressing modes for all instructions is present in Tables 9 through 12, where execution times are provided in E cycles. Instruction execution times are summarized in Table 13. With an input frequency of 4 MHz, E cycles are equivalent to microseconds. A cycle-by-cycle description of bus activity for each instruction is provided in Table 14 and a description of selected instructions is shown in Figure 25.

Immediate Addressing — The operand or "immediate byte(s)" is contained in the following byte(s) of the instruction where the number of bytes matches the size of the register. These are two or three byte instructions.

Direct Addressing — The least-significant byte of the operand address is contained in the second byte of the instruction and the most-significant byte is assumed to be \$00. Direct addressing allows the user to access \$00 through \$FF using two byte instructions and execution time is reduced by eliminating the additional memory access. In most applications, the 256-byte area is reserved for frequently referenced data.

Extended Addressing — The second and third bytes of the instruction contain the absolute address of the operand. These are three byte instructions.

Indexed Addressing — The unsigned offset contained in the second byte of the instruction is added with carry to the index register and used to reference memory without changing the index register. These are two byte instructions.

Inherent Addressing — The operand(s) are registers and no memory reference is required. These are single byte instructions.

Relative Addressing — Relative addressing is used only for branch instructions. If the branch condition is true, the program counter is overwritten with the sum of a signed single byte displacement in the second byte of the instruction and the current program counter. This provides a branch range of -126 to +129 bytes from the first byte of the instruction. These are two byte instructions.

TABLE 8 — CPU INSTRUCTION MAP

| OP | MNEM | MODE | ~ | # | OP | MNEM | MODE | ~ | # | OP | MNEM | MODE | ~ | # | OP | MNEM | MODE | ~ | # | OP | MNEM | MODE | ~ | # | |
|----|------|-------|---|---|----|------|-------|----|---|----|------|-------|---|---|----|------|-------|---|---|----|------|-------|-------|---|---|
| 00 | • | | | | 34 | DES | INHER | 3 | 1 | 68 | ASL | INDXD | 6 | 2 | 9C | CPX | DIR | 5 | 2 | 06 | SUBB | DIR | 3 | 2 | |
| 01 | NOP | INHER | 2 | 1 | 35 | TXS | | 3 | 1 | 69 | ROL | | 6 | 2 | 9D | JSR | | 5 | 2 | 01 | CMPB | | 3 | 2 | |
| 02 | • | | | | 36 | PSHA | | 3 | 1 | 6A | POL | | 6 | 2 | 9E | LDS | | 4 | 2 | 02 | SBCB | | 3 | 2 | |
| 03 | • | | | | 37 | PSHB | | 3 | 1 | 6B | • | | | | 9F | STS | DIR | 4 | 2 | 03 | ADCC | | 5 | 2 | |
| 04 | LSRD | | 3 | 1 | 38 | PULX | | 5 | 1 | 6C | INC | | 6 | 2 | AC | SUBA | INDXD | 4 | 2 | 04 | ANDB | | 3 | 2 | |
| 05 | ASLD | | 3 | 1 | 39 | RTS | | 5 | 1 | 6D | TST | | 6 | 2 | A1 | CMPA | | 4 | 2 | 05 | B.TB | | 3 | 2 | |
| 06 | TAP | | 2 | 1 | 3A | ABX | | 3 | 1 | 6E | JMP | | 3 | 2 | A2 | SBCA | | 4 | 2 | 06 | LDAB | | 3 | 2 | |
| 07 | TPA | | 2 | 1 | 3B | RTI | | 10 | 1 | 6F | CLR | INDXD | 6 | 2 | A3 | SUBD | | 6 | 2 | 07 | STAB | | 3 | 2 | |
| 08 | INX | | 3 | 1 | 3C | PSHX | | 4 | 1 | 70 | NEG | | 6 | 3 | A4 | ANDA | | 4 | 2 | 08 | EORB | | 3 | 2 | |
| 09 | DEX | | 3 | 1 | 3D | MUL | | 10 | 1 | 71 | • | | | | A5 | B.TA | | 4 | 2 | 09 | ADCB | | 3 | 2 | |
| 0A | CLV | | 2 | 1 | 3E | WAI | | 9 | 1 | 72 | • | | | | A6 | LDAA | | 4 | 2 | 0A | LDAB | | 3 | 2 | |
| 0B | SEV | | 2 | 1 | 3F | SWI | | 12 | 1 | 73 | COM | | 6 | 3 | A7 | STAA | | 4 | 2 | 0B | ADDB | | 3 | 2 | |
| 0C | CLC | | 2 | 1 | 40 | NEGA | | 2 | 1 | 74 | LSR | | 6 | 3 | A8 | EORA | | 4 | 2 | 0C | LDD | | 4 | 2 | |
| 0D | SEC | | 2 | 1 | 41 | • | | | | 75 | • | | | | A9 | ADCA | | 4 | 2 | 0D | STD | | 4 | 2 | |
| 0E | CLI | | 2 | 1 | 42 | • | | | | 76 | ROR | | 6 | 3 | AA | ORAA | | 4 | 2 | 0E | LDX | | 4 | 2 | |
| 0F | SEI | | 2 | 1 | 43 | COMA | | 2 | 1 | 77 | ASR | | 6 | 3 | AB | ADDA | | 4 | 2 | 0F | STX | DIR | 4 | 2 | |
| 10 | SBA | | 2 | 1 | 44 | LSRA | | 2 | 1 | 78 | ASL | | 6 | 3 | AC | CPX | | 6 | 2 | 10 | SLBB | INDXD | 4 | 2 | |
| 11 | CBA | | 2 | 1 | 45 | • | | | | 79 | ROL | | 6 | 3 | AD | JSR | | 6 | 2 | 11 | CMPB | | 4 | 2 | |
| 12 | • | | | | 46 | RORA | | 2 | 1 | 7A | DEC | | 6 | 3 | AE | LDS | | 5 | 2 | 12 | E2 | SBCB | | 4 | 2 |
| 13 | • | | | | 47 | ASRA | | 2 | 1 | 7B | • | | | | AF | STS | | 5 | 2 | 13 | E3 | ADCC | | 6 | 2 |
| 14 | • | | | | 48 | ASLA | | 2 | 1 | 7C | TST | | 6 | 3 | B0 | SUBA | INDXD | 4 | 3 | 14 | E4 | ANDB | | 4 | 2 |
| 15 | • | | | | 49 | ROLA | | 2 | 1 | 7D | INC | | 6 | 3 | B1 | CMPA | | 4 | 3 | 15 | E5 | B.TB | | 4 | 2 |
| 16 | TAB | | 2 | 1 | 4A | DECA | | 2 | 1 | 7E | JMP | | 3 | 3 | B2 | SBCA | | 4 | 3 | 16 | E6 | LDAB | | 4 | 2 |
| 17 | TBA | | 2 | 1 | 4B | • | | | | 7F | CLR | EXTND | 6 | 3 | B3 | SUBD | | 6 | 3 | 17 | E7 | STAB | | 4 | 2 |
| 18 | • | | | | 4C | INCA | | 2 | 1 | 80 | SUBA | EXTND | 2 | 2 | B4 | ANDA | | 4 | 3 | 18 | E8 | EORB | | 4 | 2 |
| 19 | DAA | INHER | 2 | 1 | 4D | TSTA | | 2 | 1 | 81 | CMPA | | 2 | 2 | B5 | BITA | | 4 | 3 | 19 | E9 | ADCB | | 4 | 2 |
| 1A | • | | | | 4E | T | | | | 82 | SBCA | | 2 | 2 | B6 | LDAA | | 4 | 3 | 1A | EA | ORAB | | 4 | 2 |
| 1B | ABA | INHER | 2 | 1 | 4F | CLRA | | 2 | 1 | 83 | SUBD | | 4 | 3 | B7 | STAA | | 4 | 3 | 1B | EA | ADDB | | 4 | 2 |
| 1C | • | | | | 50 | NEGB | | 2 | 1 | 84 | ANDA | | 2 | 2 | B8 | EORA | | 4 | 3 | 1C | EC | LDD | | 5 | 2 |
| 1D | • | | | | 51 | • | | | | 85 | B.TA | | 2 | 2 | B9 | ADCA | | 4 | 3 | 1D | ED | STD | | 5 | 2 |
| 1E | • | | | | 52 | • | | | | 86 | LDAA | | 2 | 2 | BA | ORAA | | 4 | 3 | 1E | EE | LDX | | 5 | 2 |
| 1F | • | | | | 53 | COMB | | 2 | 1 | 87 | • | | | | B8 | ADDA | | 4 | 3 | 1F | EF | STX | INDXD | 5 | 2 |
| 20 | BRA | REL | 3 | 2 | 54 | LSRB | | 2 | 1 | 88 | EORA | | 2 | 2 | BC | CPX | | 6 | 3 | 20 | FC | SUBB | EXTND | 4 | 3 |
| 21 | BRN | | 3 | 2 | 55 | • | | | | 89 | ADCA | | 2 | 2 | BD | JSR | | 6 | 3 | 21 | F1 | CMPB | | 4 | 3 |
| 22 | BHI | | 3 | 2 | 56 | RORB | | 2 | 1 | 8A | ORAA | | 2 | 2 | BE | LDS | | 5 | 3 | 22 | F2 | SBCB | | 4 | 3 |
| 23 | BLS | | 3 | 2 | 57 | ASRB | | 2 | 1 | 8B | ADDA | | 2 | 2 | BF | STS | EXTND | 5 | 3 | 23 | F3 | ADCC | | 6 | 3 |
| 24 | BCC | | 3 | 2 | 58 | ASLB | | 2 | 1 | 8C | CPX | IMMED | 4 | 3 | C0 | SUBB | IMMED | 2 | 2 | 24 | F4 | ANDB | | 4 | 3 |
| 25 | BCS | | 3 | 2 | 59 | ROLB | | 2 | 1 | 8D | BSR | REL | 6 | 2 | C1 | CMPB | | 2 | 2 | 25 | F5 | BITB | | 4 | 3 |
| 26 | BNE | | 3 | 2 | 5A | DECB | | 2 | 1 | 8E | LDS | IMMED | 3 | 3 | C2 | SBCB | | 2 | 2 | 26 | F6 | LDAB | | 4 | 3 |
| 27 | BEO | | 3 | 2 | 5B | • | | | | 8F | • | | | | C3 | ADDD | | 4 | 3 | 27 | F7 | STAB | | 4 | 3 |
| 28 | BVC | | 3 | 2 | 5C | INCB | | 2 | 1 | 90 | SUBA | DIR | 3 | 2 | C4 | ANDB | | 2 | 2 | 28 | F8 | EORB | | 4 | 3 |
| 29 | BVS | | 3 | 2 | 5D | TSTB | | 2 | 1 | 91 | CMPA | | 3 | 2 | C5 | B.TB | | 2 | 2 | 29 | F9 | ADCB | | 4 | 3 |
| 2A | BPL | | 3 | 2 | 5E | T | | | | 92 | SBCA | | 3 | 2 | C6 | LDAB | | 2 | 2 | 2A | FA | ORAB | | 4 | 3 |
| 2B | BMI | | 3 | 2 | 5F | CLRB | INHER | 2 | 1 | 93 | SUBD | | 5 | 2 | C7 | • | | | | 2B | FB | ADDB | | 4 | 3 |
| 2C | BGF | | 3 | 2 | 60 | NEG | INDXD | 6 | 2 | 94 | ANDA | | 3 | 2 | C8 | EORB | | 2 | 2 | 2C | FC | LDD | | 5 | 3 |
| 2D | BLT | | 3 | 2 | 61 | • | | | | 95 | B.TA | | 3 | 2 | C9 | ADCB | | 2 | 2 | 2D | FD | STD | | 5 | 3 |
| 2E | BGT | | 3 | 2 | 62 | • | | | | 96 | LDAA | | 3 | 2 | CA | ORAB | | 2 | 2 | 2E | FE | LDX | | 5 | 3 |
| 2F | BLE | | 3 | 2 | 63 | COM | | 6 | 2 | 97 | STAA | | 3 | 2 | CB | ADDB | | 2 | 2 | 2F | FF | STX | EXTND | 5 | 3 |
| 30 | TSX | INHER | 3 | 1 | 64 | LSR | | 6 | 2 | 98 | EORA | | 3 | 2 | CC | LDD | | 3 | 3 | | | | | | |
| 31 | INS | | 3 | 1 | 65 | • | | | | 99 | ADCA | | 3 | 2 | CD | • | | | | | | | | | |
| 32 | PULA | | 4 | 1 | 66 | ROR | | 6 | 2 | 9A | ORAA | | 3 | 2 | CE | LDX | IMMED | 3 | 3 | | | | | | |
| 33 | PULB | | 4 | 1 | 67 | ASR | INDXD | 6 | 2 | 9B | ADDA | | 3 | 2 | CF | • | | | | | | | | | |

- NOTES: 1. Addressing Modes
 INHER = Inherent INDXD = Indexed IMMED = Immediate
 REL = Relative EXTND = Extended DIR = Direct
2. Unassigned opcodes are indicated by "•" and should not be executed.
3. Codes marked by "T" force the PC to function as a 16-bit counter.

TABLE 9 — INDEX REGISTER AND STACK MANIPULATION INSTRUCTIONS

| Pointer Operations | MNEM | Immed | | Direct | | Index | | Extnd | | Inherent | | Boolean/ Arithmetic Operation | Condition Codes | | | | | |
|-----------------------------------------|------|-------|-----|--------|-----|-------|-----|-------|-----|----------|-----|----------------------------------------------------------------------------------------------------|-----------------|---|---|---|---|---|
| | | Op | # | Op | # | Op | # | Op | # | Op | # | | 5 | 4 | 3 | 2 | 1 | 0 |
| | | | | | | | | | | | | | | H | I | N | Z | V |
| Compare Index Register | CPX | 8C | 4 3 | 9C | 5 2 | AC | 6 2 | BC | 6 3 | | | $X - M, M + 1$ | • | • | • | • | • | • |
| Decrement Index Register | DEX | | | | | | | | | 09 | 3 1 | $X - 1 \rightarrow X$ | • | • | • | • | • | • |
| Decrement Stack Pointer | DES | | | | | | | | | 34 | 3 1 | $SP - 1 \rightarrow SP$ | • | • | • | • | • | • |
| Increment Index Register | INX | | | | | | | | | 08 | 3 1 | $X + 1 \rightarrow X$ | • | • | • | • | • | • |
| Increment Stack Pointer | INS | | | | | | | | | 31 | 3 1 | $SP + 1 \rightarrow SP$ | • | • | • | • | • | • |
| Load Index Register | LDX | CE | 3 3 | DE | 4 2 | EE | 5 2 | FE | 5 3 | | | $M \rightarrow X_H, IM + 1; \rightarrow X_L$ | • | • | • | • | • | R |
| Load Stack Pointer | LDS | 8E | 3 3 | 9E | 4 2 | AE | 5 2 | BE | 5 3 | | | $M \rightarrow SP_H, IM + 1; \rightarrow SP_L$ | • | • | • | • | • | R |
| Store Index Register | STX | | | DF | 4 2 | EF | 5 2 | FF | 5 3 | | | $X_H \rightarrow M, X_L \rightarrow IM + 1$ | • | • | • | • | • | R |
| Store Stack Pointer | STS | | | 9F | 4 2 | AF | 5 2 | BF | 5 3 | | | $SP_H \rightarrow M, SP_L \rightarrow IM + 1$ | • | • | • | • | • | R |
| Index Reg \rightarrow Stack Pointer | TXS | | | | | | | | | 35 | 3 1 | $X - 1 \rightarrow SP$ | • | • | • | • | • | • |
| Stack Pntr \rightarrow Index Register | TSX | | | | | | | | | 30 | 3 1 | $SP + 1 \rightarrow x$ | • | • | • | • | • | • |
| Add | ABX | | | | | | | | | 3A | 3 1 | $B + X \rightarrow x$ | • | • | • | • | • | • |
| Push Data | PSHX | | | | | | | | | 3C | 4 1 | $X_L \rightarrow M_{SP}, SP - 1 \rightarrow SP$ $X_H \rightarrow M_{SP}, SP - 1 \rightarrow SP$ | • | • | • | • | • | • |
| Pull Data | PULX | | | | | | | | | 38 | 5 1 | $SP - 1 \rightarrow SP, M_{SP} \rightarrow X_H$ $SP + 1 \rightarrow SP, M_{SP} \rightarrow X_L$ | • | • | • | • | • | • |

TABLE 10 — ACCUMULATOR AND MEMORY INSTRUCTIONS (Sheet 1 of 2)

| Accumulator and Memory Operations | MNEM | Immed | | Direct | | Index | | Extend | | Inher | | Boolean Expression | Condition Codes | | | | | |
|--------------------------------------|------|-------|-----|--------|-----|-------|-----|--------|-----|-------|-----|------------------------------|-----------------|---|---|---|---|---|
| | | Op | # | Op | # | Op | # | Op | # | Op | # | | 5 | 4 | 3 | 2 | 1 | 0 |
| | | | | | | | | | | | | | | H | I | N | Z | V |
| Add Accumulators | ABA | | | | | | | | | 1B | 2 1 | $A + B \rightarrow A$ | • | • | • | • | • | • |
| Add B to X | ABX | | | | | | | | | 3A | 3 1 | $00 B + X \rightarrow X$ | • | • | • | • | • | • |
| Add with Carry | ADCA | 89 | 2 2 | 99 | 3 2 | A9 | 4 2 | B9 | 4 3 | | | $A + M + C \rightarrow A$ | • | • | • | • | • | • |
| | ADCB | C9 | 2 2 | D9 | 3 2 | E9 | 4 2 | F9 | 4 3 | | | $B + M + C \rightarrow B$ | • | • | • | • | • | • |
| Add | ADDA | 8B | 2 2 | 9B | 3 2 | AB | 4 2 | BB | 4 3 | | | $A + M \rightarrow A$ | • | • | • | • | • | • |
| | ADDB | CB | 2 2 | DB | 3 2 | EB | 4 2 | FB | 4 3 | | | $B + M \rightarrow A$ | • | • | • | • | • | • |
| Add Double | ADDD | C3 | 4 3 | D3 | 5 2 | E3 | 6 2 | F3 | 6 3 | | | $D + M, M - 1 \rightarrow D$ | • | • | • | • | • | • |
| And | ANDA | 84 | 2 2 | 94 | 3 2 | A4 | 4 2 | B4 | 4 3 | | | $A \cdot M \rightarrow A$ | • | • | • | • | • | R |
| | ANDB | C4 | 2 2 | D4 | 3 2 | E4 | 4 2 | F4 | 4 3 | | | $B \cdot M \rightarrow B$ | • | • | • | • | • | R |
| Shift Left, Arithmetic | ASL | | | | | 68 | 6 2 | 78 | 6 3 | | | | • | • | • | • | • | • |
| | ASLA | | | | | | | | | 48 | 2 1 | | • | • | • | • | • | • |
| | ASLB | | | | | | | | | 58 | 2 1 | | • | • | • | • | • | • |
| Shift Left Double | ASLD | | | | | | | | | 05 | 3 1 | | • | • | • | • | • | • |
| Shift Right, Arithmetic | ASR | | | | | 67 | 6 2 | 77 | 6 3 | | | | • | • | • | • | • | • |
| | ASRA | | | | | | | | | 47 | 2 1 | | • | • | • | • | • | • |
| | ASRB | | | | | | | | | 57 | 2 1 | | • | • | • | • | • | • |
| Bit Test | BITA | 85 | 2 2 | 95 | 3 2 | A5 | 4 2 | B5 | 4 3 | | | $A \cdot M$ | • | • | • | • | • | R |
| | BITB | C5 | 2 2 | D5 | 3 2 | E5 | 4 2 | F5 | 4 3 | | | $B \cdot M$ | • | • | • | • | • | R |
| Compare Accumulators | CBA | | | | | | | | | 11 | 2 1 | $A - B$ | • | • | • | • | • | • |
| Clear | CLR | | | | | 6F | 6 2 | 7F | 6 3 | | | $00 \rightarrow M$ | • | • | • | • | • | R |
| | CLRA | | | | | | | | | 4F | 2 1 | $00 \rightarrow A$ | • | • | • | • | • | R |
| | CLRB | | | | | | | | | 5F | 2 1 | $00 \rightarrow B$ | • | • | • | • | • | R |
| Compare | CMPA | 81 | 2 2 | 91 | 3 2 | A1 | 4 2 | B1 | 4 3 | | | $A - M$ | • | • | • | • | • | • |
| | CMPB | C1 | 2 2 | D1 | 3 2 | E1 | 4 2 | F1 | 4 3 | | | $B - M$ | • | • | • | • | • | • |
| 1's Complement | COM | | | | | 63 | 6 2 | 73 | 6 3 | | | $\bar{M} \rightarrow M$ | • | • | • | • | • | R |
| | COMA | | | | | | | | | 43 | 2 1 | $A \rightarrow \bar{A}$ | • | • | • | • | • | R |
| | COMB | | | | | | | | | 53 | 2 1 | $B \rightarrow \bar{B}$ | • | • | • | • | • | R |



TABLE 10 — ACCUMULATOR AND MEMORY INSTRUCTIONS (Sheet 2 of 2)

| Accumulator and Memory Operations | MNE | Immed | | | Direct | | | Index | | | Extend | | | Inher | | | Boolean Expression | Condition Codes | | | | | |
|-----------------------------------|------|-------|---|---|--------|---|----|-------|---|----|--------|---|----|-------|----|------------------------------|------------------------------|------------------------------|---|---|---|-----|-----|
| | | Op | ~ | # | Op | ~ | # | Op | ~ | # | Op | ~ | # | Op | ~ | # | | 5 | 4 | 3 | 2 | 1 | 0 |
| | | H | I | N | Z | V | C | | | | | | | | | | | | | | | | |
| Decimal Adjust, A | DAA | | | | | | | | | | | | 19 | 2 | 1 | Adj binary sum to BCD | • | • | • | • | • | • | |
| Decrement | DEC | | | | | | 6A | 6 | 2 | 7A | 6 | 3 | | | | $M - 1 \rightarrow M$ | • | • | • | • | • | • | |
| | DECA | | | | | | | | | | | | 4A | 2 | 1 | $A - 1 \rightarrow A$ | • | • | • | • | • | • | |
| | DECB | | | | | | | | | | | | | 5A | 2 | 1 | $B - 1 \rightarrow B$ | • | • | • | • | • | • |
| Exclusive OR | EORA | 88 | 2 | 2 | 98 | 3 | 2 | A8 | 4 | 2 | B8 | 4 | 3 | | | | $A \oplus M \rightarrow A$ | • | • | • | • | • | R • |
| | EORB | C8 | 2 | 2 | D8 | 3 | 2 | E8 | 4 | 2 | F8 | 4 | 3 | | | | $B \oplus M \rightarrow B$ | • | • | • | • | • | R • |
| Increment | INC | | | | | | | 6C | 6 | 2 | 7C | 6 | 3 | | | | $M + 1 \rightarrow M$ | • | • | • | • | • | • |
| | INCA | | | | | | | | | | | | 4C | 2 | 1 | $A + 1 \rightarrow A$ | • | • | • | • | • | • | |
| | INCB | | | | | | | | | | | | | 5C | 2 | 1 | $B + 1 \rightarrow B$ | • | • | • | • | • | • |
| Load Accumulators | LDAA | 86 | 2 | 2 | 96 | 3 | 2 | A6 | 4 | 2 | B6 | 4 | 3 | | | | $M \rightarrow A$ | • | • | • | • | • | R • |
| Load Double | LDAB | C6 | 2 | 2 | D6 | 3 | 2 | E6 | 4 | 2 | F6 | 4 | 3 | | | | $M \rightarrow B$ | • | • | • | • | • | R • |
| | LDD | CC | 3 | 3 | DC | 4 | 2 | EC | 5 | 2 | FC | 5 | 3 | | | | $M, M + 1 \rightarrow D$ | • | • | • | • | • | R • |
| Logical Shift, Left | LSL | | | | | | | 68 | 6 | 2 | 78 | 6 | 3 | | | | | • | • | • | • | • | • |
| | LSLA | | | | | | | | | | | | 48 | 2 | 1 | | • | • | • | • | • | • | |
| | LSLB | | | | | | | | | | | | | 58 | 2 | 1 | | • | • | • | • | • | • |
| | LSLD | | | | | | | | | | | | | | 05 | 3 | 2 | | • | • | • | • | • |
| Shift Right, Logical | LSR | | | | | | 64 | 6 | 2 | 74 | 6 | 3 | | | | | • | • | R | • | • | • | |
| | LSRA | | | | | | | | | | | | 44 | 2 | 1 | | • | • | R | • | • | • | |
| | LSRB | | | | | | | | | | | | | 54 | 2 | 1 | | • | • | R | • | • | • |
| | LSRD | | | | | | | | | | | | | | 04 | 3 | 1 | | • | • | R | • | • |
| Multiply | MUL | | | | | | | | | | | | 3D | 10 | 1 | $A \times B \rightarrow D$ | • | • | • | • | • | • | |
| 2's Complement (Negate) | NEG | | | | | | 60 | 6 | 2 | 70 | 6 | 3 | | | | $00 - M \rightarrow M$ | • | • | • | • | • | • | |
| | NEGA | | | | | | | | | | | | 40 | 2 | 1 | $00 - A \rightarrow A$ | • | • | • | • | • | • | |
| | NEGB | | | | | | | | | | | | 50 | 2 | 1 | $00 - B \rightarrow B$ | • | • | • | • | • | • | |
| No Operation | NOP | | | | | | | | | | | | 01 | 2 | 1 | $PC + 1 \rightarrow PC$ | • | • | • | • | • | • | |
| Inclusive OR | ORAA | 8A | 2 | 2 | 9A | 3 | 2 | AA | 4 | 2 | BA | 4 | 3 | | | | $A + M \rightarrow A$ | • | • | • | • | • | R • |
| | ORAB | CA | 2 | 2 | DA | 3 | 2 | EA | 4 | 2 | FA | 4 | 3 | | | | $B + M \rightarrow B$ | • | • | • | • | • | R • |
| Push Data | PSHA | | | | | | | | | | | | 36 | 3 | 1 | $A \rightarrow \text{Stack}$ | • | • | • | • | • | • | |
| | PSHB | | | | | | | | | | | | | 37 | 3 | 1 | $B \rightarrow \text{Stack}$ | • | • | • | • | • | • |
| Pull Data | PULA | | | | | | | | | | | | | 32 | 4 | 1 | $\text{Stack} \rightarrow A$ | • | • | • | • | • | • |
| | PULB | | | | | | | | | | | | | | 33 | 4 | 1 | $\text{Stack} \rightarrow B$ | • | • | • | • | • |
| Rotate Left | ROL | | | | | | 69 | 6 | 2 | 79 | 6 | 3 | | | | | • | • | • | • | • | • | |
| | ROLA | | | | | | | | | | | | 49 | 2 | 1 | | • | • | • | • | • | • | |
| | ROLB | | | | | | | | | | | | | 59 | 2 | 1 | | • | • | • | • | • | • |
| Rotate Right | ROR | | | | | | 66 | 6 | 2 | 76 | 6 | 3 | | | | | • | • | • | • | • | • | |
| | RORA | | | | | | | | | | | | 46 | 2 | 1 | | • | • | • | • | • | • | |
| | RORB | | | | | | | | | | | | | 56 | 2 | 1 | | • | • | • | • | • | • |
| Subtract Accumulator | SBA | | | | | | | | | | | | 10 | 2 | 1 | $A - B \rightarrow A$ | • | • | • | • | • | • | |
| Subtract with Carry | SBCA | B2 | 2 | 2 | 92 | 3 | 2 | A2 | 4 | 2 | B2 | 4 | 3 | | | | $A - M - C \rightarrow A$ | • | • | • | • | • | • |
| | SBCB | C2 | 2 | 2 | D2 | 3 | 2 | E2 | 4 | 2 | F2 | 4 | 3 | | | | $B - M - C \rightarrow B$ | • | • | • | • | • | • |
| Store Accumulators | STAA | | | | 97 | 3 | 2 | A7 | 4 | 2 | B7 | 4 | 3 | | | | $A \rightarrow M$ | • | • | • | • | • | R • |
| | STAB | | | | D7 | 3 | 2 | E7 | 4 | 2 | F7 | 4 | 3 | | | | $B \rightarrow M$ | • | • | • | • | • | R • |
| | STD | | | | DD | 4 | 2 | ED | 5 | 2 | FD | 5 | 3 | | | | $D \rightarrow M, M + 1$ | • | • | • | • | • | R • |
| Subtract | SUBA | 80 | 2 | 2 | 90 | 3 | 2 | A0 | 4 | 2 | B0 | 4 | 3 | | | | $A - M \rightarrow A$ | • | • | • | • | • | • |
| | SUBB | C0 | 2 | 2 | D0 | 3 | 2 | E0 | 4 | 2 | F0 | 4 | 3 | | | | $B - M \rightarrow B$ | • | • | • | • | • | • |
| Subtract Double | SUBD | B3 | 4 | 3 | 93 | 5 | 2 | A3 | 6 | 2 | B3 | 6 | 3 | | | | $D - M, M + 1 \rightarrow D$ | • | • | • | • | • | • |
| Transfer Accumulator | TAB | | | | | | | | | | | | 16 | 2 | 1 | $A \rightarrow B$ | • | • | • | • | • | R • | |
| | TBA | | | | | | | | | | | | | 17 | 2 | 1 | $B \rightarrow A$ | • | • | • | • | • | R • |
| Test, Zero or Minus | TST | | | | | | 6D | 6 | 2 | 7D | 6 | 3 | | | | $M - 00$ | • | • | • | • | • | R R | |
| | TSTA | | | | | | | | | | | | 4D | 2 | 1 | $A - 00$ | • | • | • | • | • | R R | |
| | TSTB | | | | | | | | | | | | | 5D | 2 | 1 | $B - 00$ | • | • | • | • | • | R R |

The condition code register notes are listed after Table 12

TABLE 11 — JUMP AND BRANCH INSTRUCTIONS

| Operations | MNEM | Direct | | Relative | | Index | | Extend | | Inherent | | Branch Test | Condition Code Reg. | | | | | |
|--------------------------|------|--------|-----|----------|-----|-------|-----|--------|-----|----------|------|----------------------------------|---------------------|---|---|---|---|---|
| | | Op | ~ # | Op | ~ # | Op | ~ # | Op | ~ # | Op | ~ # | | 5 | 4 | 3 | 2 | 1 | 0 |
| | | H | I | N | Z | V | C | | | | | | | | | | | |
| Branch Always | BRA | | | 20 | 3 2 | | | | | | | None | * | * | * | * | * | * |
| Branch Never | BRN | | | 21 | 3 2 | | | | | | | None | * | * | * | * | * | * |
| Branch If Carry Clear | BCC | | | 24 | 3 2 | | | | | | | C = 0 | * | * | * | * | * | * |
| Branch If Carry Set | BCS | | | 25 | 3 2 | | | | | | | C = 1 | * | * | * | * | * | * |
| Branch If = Zero | BEQ | | | 27 | 3 2 | | | | | | | Z = 1 | * | * | * | * | * | * |
| Branch If ≥ Zero | BGE | | | 2C | 3 2 | | | | | | | $N \oplus V = 0$ | * | * | * | * | * | * |
| Branch if > Zero | BGT | | | 2E | 3 2 | | | | | | | $Z + (N \oplus V) = 0$ | * | * | * | * | * | * |
| Branch If Higher | BHI | | | 22 | 3 2 | | | | | | | C + Z = 0 | * | * | * | * | * | * |
| Branch If Higher or Same | BHS | | | 24 | 3 2 | | | | | | | C = 0 | * | * | * | * | * | * |
| Branch If ≤ Zero | BLE | | | 2F | 3 2 | | | | | | | $Z + (N \oplus V) = 1$ | * | * | * | * | * | * |
| Branch If Carry Set | BLO | | | 25 | 3 2 | | | | | | | C = 1 | * | * | * | * | * | * |
| Branch If Lower Or Same | BLS | | | 23 | 3 2 | | | | | | | C + Z = 1 | * | * | * | * | * | * |
| Branch If < Zero | BLT | | | 2D | 3 2 | | | | | | | $N \oplus V = 1$ | * | * | * | * | * | * |
| Branch If Minus | BMI | | | 2B | 3 2 | | | | | | | N = 1 | * | * | * | * | * | * |
| Branch If Not Equal Zero | BNE | | | 26 | 3 2 | | | | | | | Z = 0 | * | * | * | * | * | * |
| Branch If Overflow Clear | BVC | | | 28 | 3 2 | | | | | | | V = 0 | * | * | * | * | * | * |
| Branch If Overflow Set | BVS | | | 29 | 3 2 | | | | | | | V = 1 | * | * | * | * | * | * |
| Branch If Plus | BPL | | | 2A | 3 2 | | | | | | | N = 0 | * | * | * | * | * | * |
| Branch To Subroutine | BSR | | | 8D | 6 2 | | | | | | | | * | * | * | * | * | * |
| Jump | JMP | | | | | 6E | 3 2 | 7E | 3 3 | | | See Special Operations-Figure 25 | * | * | * | * | * | * |
| Jump To Subroutine | JSR | 9D | 5 2 | | | AD | 6 2 | BD | 6 3 | | | | * | * | * | * | * | * |
| No Operation | NOP | | | | | | | | | 01 | 2 1 | | * | * | * | * | * | * |
| Return From Interrupt | RTI | | | | | | | | | 3B | 10 1 | | ↓ | ↓ | ↓ | ↓ | ↓ | ↓ |
| Return From Subroutine | RTS | | | | | | | | | 39 | 5 1 | | * | * | * | * | * | * |
| Software Interrupt | SWI | | | | | | | | | 3F | 12 1 | | * | S | * | * | * | * |
| Wait For Interrupt | WAI | | | | | | | | | 3E | 9 1 | | * | * | * | * | * | * |

TABLE 12 — CONDITION CODE REGISTER MANIPULATION INSTRUCTIONS

| Operations | Inherent | | | Boolean Operation | Condition Code Register | | | | | |
|----------------------|----------|----|-----|-------------------|-------------------------|---|---|---|---|---|
| | MNEM | Op | ~ # | | 5 | 4 | 3 | 2 | 1 | 0 |
| | H | I | N | | Z | V | C | | | |
| Clear Carry | CLC | 0C | 2 1 | 0 → C | * | * | * | * | * | R |
| Clear Interrupt Mask | CLI | 0E | 2 1 | 0 → I | * | R | * | * | * | * |
| Clear Overflow | CLV | 0A | 2 1 | 0 → V | * | * | * | * | R | * |
| Set Carry | SEC | 0D | 2 1 | 1 → C | * | * | * | * | * | S |
| Set Interrupt Mask | SEI | 0F | 2 1 | 1 → I | * | S | * | * | * | * |
| Set Overflow | SEV | 0B | 2 1 | 1 → V | * | * | * | * | S | * |
| Accumulator A → CCR | TAP | 06 | 2 1 | A → CCR | ↓ | ↓ | ↓ | ↓ | ↓ | ↓ |
| CCR → Accumulator A | TPA | 07 | 2 1 | CCR → A | * | * | * | * | * | * |

LEGEND

- Op Operation Code (Hexadecimal)
- ~ Number of MPU Cycles
- Msp Contents of memory location pointed to by Stack Pointer
- # Number of Program Bytes
- + Arithmetic Plus
- Arithmetic Minus
- Boolean AND
- X Arithmetic Multiply
- + Boolean Inclusive OR
- Boolean Exclusive OR
- M Complement of M
- Transfer Into
- 0 Bit = Zero
- 00 Byte = Zero

CONDITION CODE SYMBOLS

- H Half-carry from bit 3
- I Interrupt mask
- N Negative (sign bit)
- Z Zero (byte)
- V Overflow, 2's complement
- C Carry/Borrow from MSB
- R Reset Always
- S Set Always
- ↓ Affected
- Not Affected



TABLE 13 — INSTRUCTION EXECUTION TIMES IN E CYCLES

| | ADDRESSING MODE | | | | | |
|------|-----------------|--------|----------|---------|----------|----------|
| | Immediate | Direct | Extended | Indexed | Inherent | Relative |
| ABA | ● | ● | ● | ● | 2 | ● |
| ABX | ● | ● | ● | ● | 3 | ● |
| ADC | 2 | 3 | 4 | 4 | ● | ● |
| ADD | 2 | 3 | 4 | 4 | ● | ● |
| ADDD | 4 | 5 | 6 | 6 | ● | ● |
| AND | 2 | 3 | 4 | 4 | ● | ● |
| ASL | ● | ● | 6 | 6 | 2 | ● |
| ASLD | ● | ● | ● | ● | 3 | ● |
| ASR | ● | ● | 6 | 6 | 2 | ● |
| BCC | ● | ● | ● | ● | ● | 3 |
| BCS | ● | ● | ● | ● | ● | 3 |
| BEQ | ● | ● | ● | ● | ● | 3 |
| BGE | ● | ● | ● | ● | ● | 3 |
| BGT | ● | ● | ● | ● | ● | 3 |
| BHI | ● | ● | ● | ● | ● | 3 |
| BHS | ● | ● | ● | ● | ● | 3 |
| BIT | 2 | 3 | 4 | 4 | ● | ● |
| BLE | ● | ● | ● | ● | ● | 3 |
| BLO | ● | ● | ● | ● | ● | 3 |
| BLS | ● | ● | ● | ● | ● | 3 |
| BLT | ● | ● | ● | ● | ● | 3 |
| BMI | ● | ● | ● | ● | ● | 3 |
| BNE | ● | ● | ● | ● | ● | 3 |
| BPL | ● | ● | ● | ● | ● | 3 |
| BRA | ● | ● | ● | ● | ● | 3 |
| BRN | ● | ● | ● | ● | ● | 3 |
| BSR | ● | ● | ● | ● | ● | 6 |
| BVC | ● | ● | ● | ● | ● | 3 |
| BVS | ● | ● | ● | ● | ● | 3 |
| CBA | ● | ● | ● | ● | 2 | ● |
| CLC | ● | ● | ● | ● | 2 | ● |
| CLI | ● | ● | ● | ● | 2 | ● |
| CLR | ● | ● | 6 | 6 | 2 | ● |
| CLV | ● | ● | ● | ● | 2 | ● |
| CMP | 2 | 3 | 4 | 4 | ● | ● |
| COM | ● | ● | 6 | 6 | 2 | ● |
| CPX | 4 | 5 | 6 | 6 | ● | ● |
| DAA | ● | ● | ● | ● | 2 | ● |
| DEC | ● | ● | 6 | 6 | 2 | ● |
| DES | ● | ● | ● | ● | 3 | ● |
| DEX | ● | ● | ● | ● | 3 | ● |
| EOR | 2 | 3 | 4 | 4 | ● | ● |
| INC | ● | ● | 6 | 6 | ● | ● |
| INS | ● | ● | ● | ● | 3 | ● |

| | ADDRESSING MODE | | | | | |
|------|-----------------|--------|----------|---------|----------|----------|
| | Immediate | Direct | Extended | Indexed | Inherent | Relative |
| INX | ● | ● | ● | ● | 3 | ● |
| JMP | ● | ● | 3 | 3 | ● | ● |
| JSR | ● | 5 | 6 | 6 | ● | ● |
| LDA | 2 | 3 | 4 | 4 | ● | ● |
| LDD | 3 | 4 | 5 | 5 | ● | ● |
| LDS | 3 | 4 | 5 | 5 | ● | ● |
| LDX | 3 | 4 | 5 | 5 | ● | ● |
| LSL | ● | ● | 6 | 6 | 2 | ● |
| LSLD | ● | ● | ● | ● | 3 | ● |
| LSR | ● | ● | 6 | 6 | 2 | ● |
| LSRD | ● | ● | ● | ● | 3 | ● |
| MUL | ● | ● | ● | ● | 10 | ● |
| NEG | ● | ● | 6 | 6 | 2 | ● |
| NOP | ● | ● | ● | ● | 2 | ● |
| ORA | 2 | 3 | 4 | 4 | ● | ● |
| PSH | ● | ● | ● | ● | 3 | ● |
| PSHX | ● | ● | ● | ● | 4 | ● |
| PUL | ● | ● | ● | ● | 4 | ● |
| PULX | ● | ● | ● | ● | 5 | ● |
| ROL | ● | ● | 6 | 6 | 2 | ● |
| ROR | ● | ● | 6 | 6 | 2 | ● |
| RTI | ● | ● | ● | ● | 10 | ● |
| RTS | ● | ● | ● | ● | 5 | ● |
| SBA | ● | ● | ● | ● | 2 | ● |
| SBC | 2 | 3 | 4 | 4 | ● | ● |
| SEC | ● | ● | ● | ● | 2 | ● |
| SEI | ● | ● | ● | ● | 2 | ● |
| SEV | ● | ● | ● | ● | 2 | ● |
| STA | ● | 3 | 4 | 4 | ● | ● |
| STD | ● | 4 | 5 | 5 | ● | ● |
| STS | ● | 4 | 5 | 5 | ● | ● |
| STX | ● | 4 | 5 | 5 | ● | ● |
| SUB | 2 | 3 | 4 | 4 | ● | ● |
| SUBD | 4 | 5 | 6 | 6 | ● | ● |
| SWI | ● | ● | ● | ● | 12 | ● |
| TAB | ● | ● | ● | ● | 2 | ● |
| TAP | ● | ● | ● | ● | 2 | ● |
| TBA | ● | ● | ● | ● | 2 | ● |
| TPA | ● | ● | ● | ● | 2 | ● |
| TST | ● | ● | 6 | 6 | 2 | ● |
| TSX | ● | ● | ● | ● | 3 | ● |
| TXS | ● | ● | ● | ● | 3 | ● |
| WAI | ● | ● | ● | ● | 9 | ● |

3

SUMMARY OF CYCLE-BY-CYCLE OPERATION

Table 14 provides a detailed description of the information present on the address bus, data bus, and the read/write (R/W) line during each cycle of each instruction.

The information is useful in comparing actual with expected results during debug of both software and hardware as the program is executed. The information is categorized in groups according to addressing mode and number of cycles

per instruction. In general, instructions with the same addressing mode and number of cycles execute in the same manner. Exceptions are indicated in the table.

Note that during MPU reads of internal locations, the resultant value will not appear on the external data bus except in mode 0. "High order" byte refers to the most-significant byte of a 16-bit value.

TABLE 14 — CYCLE-BY-CYCLE OPERATION (Sheet 1 of 5)

| Address Mode and Instructions | | Cycles | Cycle # | Address Bus | R/W Line | Data Bus |
|-------------------------------|-----|--------|---------|------------------------|----------|----------------------------------|
| IMMEDIATE | | | | | | |
| ADC | EOR | 2 | 1 | Opcode Address | 1 | Opcode |
| ADD | LDA | | 2 | Opcode Address + 1 | 1 | Operand Data |
| AND | ORA | 3 | 1 | Opcode Address | 1 | Opcode |
| BIT | SBC | | 2 | Opcode Address + 1 | 1 | Operand Data (High Order Byte) |
| CMP | SUB | | 3 | Opcode Address + 2 | 1 | Operand Data (Low Order Byte) |
| LDS | | 4 | 1 | Opcode Address | 1 | Opcode |
| LDX | | | 2 | Opcode Address + 1 | 1 | Operand Data (High Order Byte) |
| LDD | | | 3 | Opcode Address + 2 | 1 | Operand Data (Low Order Byte) |
| CPX | | | 4 | Address Bus FFFF | 1 | Low Byte of Restart Vector |
| SUBD | | 4 | 1 | Opcode Address | 1 | Opcode |
| ADDD | | | 2 | Opcode Address + 1 | 1 | Operand Data (High Order Byte) |
| | | | 3 | Opcode Address + 2 | 1 | Operand Data (Low Order Byte) |
| | | | 4 | Address Bus FFFF | 1 | Low Byte of Restart Vector |
| DIRECT | | | | | | |
| ADC | EOR | 3 | 1 | Opcode Address | 1 | Opcode |
| ADD | LDA | | 2 | Opcode Address + 1 | 1 | Address of Operand |
| AND | ORA | | 3 | Address of Operand | 1 | Operand Data |
| BIT | SBC | 3 | 1 | Opcode Address | 1 | Opcode |
| CMP | SUB | | 2 | Opcode Address + 1 | 1 | Destination Address |
| STA | | | 3 | Destination Address | 0 | Data from Accumulator |
| LDS | | 4 | 1 | Opcode Address | 1 | Opcode |
| LDX | | | 2 | Opcode Address + 1 | 1 | Address of Operand |
| LDD | | | 3 | Address of Operand | 1 | Operand Data (High Order Byte) |
| | | | 4 | Operand Address + 1 | 1 | Operand Data (Low Order Byte) |
| STS | | 4 | 1 | Opcode Address | 1 | Opcode |
| STX | | | 2 | Opcode Address + 1 | 1 | Address of Operand |
| STD | | | 3 | Address of Operand | 0 | Register Data (High Order Byte) |
| | | | 4 | Address of Operand + 1 | 0 | Register Data (Low Order Byte) |
| CPX | | 5 | 1 | Opcode Address | 1 | Opcode |
| SUBD | | | 2 | Opcode Address + 1 | 1 | Address of Operand |
| ADDD | | | 3 | Operand Address | 1 | Operand Data (High Order Byte) |
| | | | 4 | Operand Address + 1 | 1 | Operand Data (Low Order Byte) |
| | | | 5 | Address Bus FFFF | 1 | Low Byte of Restart Vector |
| JSR | | 5 | 1 | Opcode Address | 1 | Opcode |
| | | | 2 | Opcode Address + 1 | 1 | Irrelevant Data |
| | | | 3 | Subroutine Address | 1 | First Subroutine Opcode |
| | | | 4 | Stack Pointer | 0 | Return Address (Low Order Byte) |
| | | | 5 | Stack Pointer - 1 | 0 | Return Address (High Order Byte) |

TABLE 14 — CYCLE-BY-CYCLE OPERATION (Sheet 2 of 5)

| Address Mode and Instructions | Cycles | Cycle # | Address Bus | R/W Line | Data Bus |
|----------------------------------------------------------------------------|--------|--------------------|-----------------------------|-------------------------------------|-----------------------------------------|
| EXTENDED | | | | | |
| JMP | 3 | 1 | Opcode Address | 1 | Opcode |
| | | 2 | Opcode Address + 1 | 1 | Jump Address (High Order Byte) |
| | | 3 | Opcode Address + 2 | 1 | Jump Address (Low Order Byte) |
| ADC EOR ADD LDA AND ORA BIT SBC CMP SUB | 4 | 1 | Opcode Address | 1 | Opcode |
| 2 | | Opcode Address + 1 | 1 | Address of Operand | |
| 3 | | Opcode Address + 2 | 1 | Address of Operand (Low Order Byte) | |
| 4 | | Address of Operand | 1 | Operand Data | |
| STA | 4 | 1 | Opcode Address | 1 | Opcode |
| | | 2 | Opcode Address + 1 | 1 | Destination Address (High Order Byte) |
| | | 3 | Opcode Address + 2 | 1 | Destination Address (Low Order Byte) |
| | | 4 | Operand Destination Address | 0 | Data from Accumulator |
| LDS LDX LDD | 5 | 1 | Opcode Address | 1 | Opcode |
| | | 2 | Opcode Address + 1 | 1 | Address of Operand (High Order Byte) |
| | | 3 | Opcode Address + 2 | 1 | Address of Operand (Low Order Byte) |
| | | 4 | Address of Operand | 1 | Operand Data (High Order Byte) |
| | | 5 | Address of Operand + 1 | 1 | Operand Data (Low Order Byte) |
| STS STX STD | 5 | 1 | Opcode Address | 1 | Opcode |
| | | 2 | Opcode Address + 1 | 1 | Address of Operand (High Order Byte) |
| | | 3 | Opcode Address + 2 | 1 | Address of Operand (Low Order Byte) |
| | | 4 | Address of Operand | 0 | Operand Data (High Order Byte) |
| | | 5 | Address of Operand + 1 | 0 | Operand Data (Low Order Byte) |
| ASL LSR ASR NEG CLR ROL COM ROR DEC TST* INC | 6 | 1 | Opcode Address | 1 | Opcode |
| | | 2 | Opcode Address + 1 | 1 | Address of Operand (High Order Byte) |
| | | 3 | Opcode Address + 2 | 1 | Address of Operand (Low Order Byte) |
| | | 4 | Address of Operand | 1 | Current Operand Data |
| | | 5 | Address Bus FFFF | 1 | Low Byte of Restart Vector |
| | | 6 | Address of Operand | 0 | New Operand Data |
| CPX SUBD ADDD | 6 | 1 | Opcode Address | 1 | Opcode |
| | | 2 | Opcode Address + 1 | 1 | Operand Address (High Order Byte) |
| | | 3 | Opcode Address + 2 | 1 | Operand Address (Low Order Byte) |
| | | 4 | Operand Address | 1 | Operand Data (High Order Byte) |
| | | 5 | Operand Address + 1 | 1 | Operand Data (Low Order Byte) |
| | | 6 | Address Bus FFFF | 1 | Low Byte of Restart Vector |
| JSR | 6 | 1 | Opcode Address | 1 | Opcode |
| | | 2 | Opcode Address + 1 | 1 | Address of Subroutine (High Order Byte) |
| | | 3 | Opcode Address + 2 | 1 | Address of Subroutine (Low Order Byte) |
| | | 4 | Subroutine Starting Address | 1 | Opcode of Next Instruction |
| | | 5 | Stack Pointer | 0 | Return Address (Low Order Byte) |
| | | 6 | Stack Pointer - 1 | 0 | Return Address (High Order Byte) |

*TST does not perform the write cycle during the sixth cycle. The sixth cycle is another address bus = \$FFFF

TABLE 14 — CYCLE-BY-CYCLE OPERATION (Sheet 3 of 5)

| Address Mode and Instructions | Cycles | Cycle # | Address Bus | R/W Line | Data Bus |
|-------------------------------------------------------------|--------|---------|--------------------------------|----------|----------------------------------|
| INDEXED | | | | | |
| JMP | 3 | 1 | Opcode Address | 1 | Opcode |
| | | 2 | Opcode Address + 1 | 1 | Offset |
| | | 3 | Address Bus FFFF | 1 | Low Byte of Restart Vector |
| ADC EOR ADD LDA AND ORA BIT SBC CMP SUB | 4 | 1 | Opcode Address | 1 | Opcode |
| | | 2 | Opcode Address + 1 | 1 | Offset |
| | | 3 | Address Bus FFFF | 1 | Low Byte of Restart Vector |
| | | 4 | Index Register Plus Offset | 1 | Operand Data |
| STA | 4 | 1 | Opcode Address | 1 | Opcode |
| | | 2 | Opcode Address + 1 | 1 | Offset |
| | | 3 | Address Bus FFFF | 1 | Low Byte of Restart Vector |
| | | 4 | Index Register Plus Offset | 0 | Operand Data |
| LDS LDX LDD | 5 | 1 | Opcode Address | 1 | Opcode |
| | | 2 | Opcode Address + 1 | 1 | Offset |
| | | 3 | Address Bus FFFF | 1 | Low Byte of Restart Vector |
| | | 4 | Index Register Plus Offset | 1 | Operand Data (High Order Byte) |
| | | 5 | Index Register Plus Offset + 1 | 1 | Operand Data (Low Order Byte) |
| STS STX STD | 5 | 1 | Opcode Address | 1 | Opcode |
| | | 2 | Opcode Address + 1 | 1 | Offset |
| | | 3 | Address Bus FFFF | 1 | Low Byte of Restart Vector |
| | | 4 | Index Register Plus Offset | 0 | Operand Data (High Order Byte) |
| | | 5 | Index Register Plus Offset + 1 | 0 | Operand Data (Low Order Byte) |
| ASL LSR ASR NEG CLR ROL COM ROR DEC TST* INC | 6 | 1 | Opcode Address | 1 | Opcode |
| | | 2 | Opcode Address + 1 | 1 | Offset |
| | | 3 | Address Bus FFFF | 1 | Low Byte of Restart Vector |
| | | 4 | Index Register Plus Offset | 1 | Current Operand Data |
| | | 5 | Address Bus FFFF | 1 | Low Byte of Restart Vector |
| | | 6 | Index Register Plus Offset | 0 | New Operand Data |
| CPX SUBD ADD | 6 | 1 | Opcode Address | 1 | Opcode |
| | | 2 | Opcode Address + 1 | 1 | Offset |
| | | 3 | Address Bus FFFF | 1 | Low Byte of Restart Vector |
| | | 4 | Index Register + Offset | 1 | Operand Data (High Order Byte) |
| | | 5 | Index Register + Offset + 1 | 1 | Operand Data (Low Order Byte) |
| | | 6 | Address Bus FFFF | 1 | Low Byte of Restart Vector |
| JSR | 6 | 1 | Opcode Address | 1 | Opcode |
| | | 2 | Opcode Address + 1 | 1 | Offset |
| | | 3 | Address Bus FFFF | 1 | Low Byte of Restart Vector |
| | | 4 | Index Register + Offset | 1 | First Subroutine Opcode |
| | | 5 | Stack Pointer | 0 | Return Address (Low Order Byte) |
| | | 6 | Stack Pointer - 1 | 0 | Return Address (High Order Byte) |

*TST does not perform the write cycle during the sixth cycle. The sixth cycle is another address bus = \$FFFF

TABLE 14 — CYCLE-BY-CYCLE OPERATION (Sheet 4 of 5)

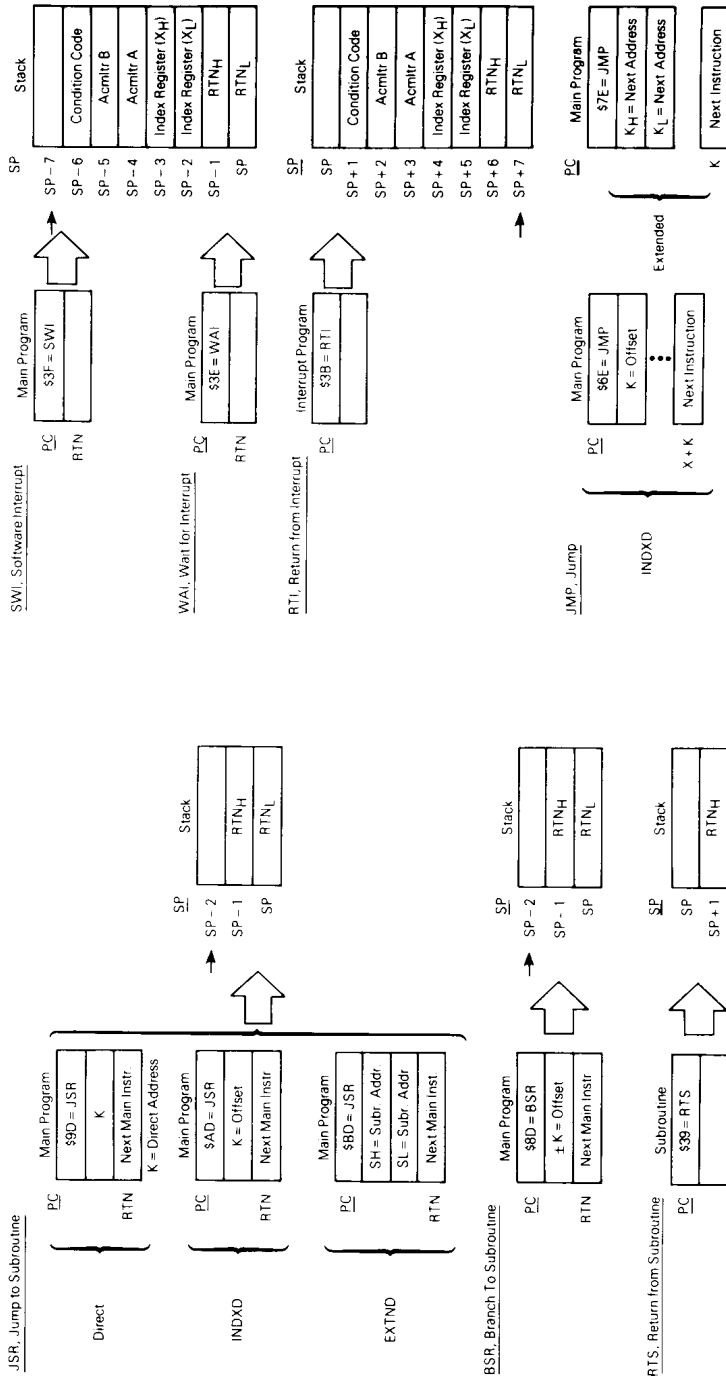
| Address Mode and Instructions | | | Cycles | Cycle # | Address Bus | R/W Line | Data Bus |
|-------------------------------|-----|-----|--------|---------|---------------------------------|----------|-----------------------------------------------|
| INHERENT | | | | | | | |
| ABA | DAA | SEC | 2 | 1 | Opcode Address | 1 | Opcode |
| ASL | DEC | SEI | | 2 | Opcode Address + 1 | 1 | Opcode of Next Instruction |
| ASR | INC | SEV | | | | | |
| CBA | LSR | TAB | | | | | |
| CLC | NEG | TAP | | | | | |
| CLI | NOP | TBA | | | | | |
| CLR | ROL | TPA | | | | | |
| CLV | ROR | TST | | | | | |
| COM | SBA | | | | | | |
| | | | | | | | |
| ABX | | | 3 | 1 | Opcode Address | 1 | Opcode |
| | | | | 2 | Opcode Address + 1 | 1 | Irrelevant Data |
| | | | | 3 | Address Bus FFFF | 1 | Low Byte of Restart Vector |
| ASLD | | | 3 | 1 | Opcode Address | 1 | Opcode |
| LSRD | | | | 2 | Opcode Address + 1 | 1 | Irrelevant Data |
| | | | | 3 | Address Bus FFFF | 1 | Low Byte of Restart Vector |
| DES | | | 3 | 1 | Opcode Address | 1 | Opcode |
| INS | | | | 2 | Opcode Address + 1 | 1 | Opcode of Next Instruction |
| | | | | 3 | Previous Stack Pointer Contents | 1 | Irrelevant Data |
| INX | | | 3 | 1 | Opcode Address | 1 | Opcode |
| DEX | | | | 2 | Opcode Address + 1 | 1 | Opcode of Next Instruction |
| | | | | 3 | Address Bus FFFF | 1 | Low Byte of Restart Vector |
| PSHA | | | 3 | 1 | Opcode Address | 1 | Opcode |
| PSHB | | | | 2 | Opcode Address + 1 | 1 | Opcode of Next Instruction |
| | | | | 3 | Stack Pointer | 0 | Accumulator Data |
| TSX | | | 3 | 1 | Opcode Address | 1 | Opcode |
| | | | | 2 | Opcode Address + 1 | 1 | Opcode of Next Instruction |
| | | | | 3 | Stack Pointer | 1 | Irrelevant Data |
| TXS | | | 3 | 1 | Opcode Address | 1 | Opcode |
| | | | | 2 | Opcode Address + 1 | 1 | Opcode of Next Instruction |
| | | | | 3 | Address Bus FFFF | 1 | Low Byte of Restart Vector |
| PULA | | | 4 | 1 | Opcode Address | 1 | Opcode |
| PULB | | | | 2 | Opcode Address + 1 | 1 | Opcode of Next Instruction |
| | | | | 3 | Stack Pointer | 1 | Irrelevant Data |
| | | | | 4 | Stack Pointer + 1 | 1 | Operand Data from Stack |
| PSHX | | | 4 | 1 | Opcode Address | 1 | Opcode |
| | | | | 2 | Opcode Address + 1 | 1 | Irrelevant Data |
| | | | | 3 | Stack Pointer | 0 | Index Register (Low Order Byte) |
| | | | | 4 | Stack Pointer - 1 | 0 | Index Register (High Order Byte) |
| PULX | | | 5 | 1 | Opcode Address | 1 | Opcode |
| | | | | 2 | Opcode Address + 1 | 1 | Irrelevant Data |
| | | | | 3 | Stack Pointer | 1 | Irrelevant Data |
| | | | | 4 | Stack Pointer + 1 | 1 | Index Register (High Order Byte) |
| | | | | 5 | Stack Pointer + 2 | 1 | Index Register (Low Order Byte) |
| RTS | | | 5 | 1 | Opcode Address | 1 | Opcode |
| | | | | 2 | Opcode Address + 1 | 1 | Irrelevant Data |
| | | | | 3 | Stack Pointer | 1 | Irrelevant Data |
| | | | | 4 | Stack Pointer + 1 | 1 | Address of Next Instruction (High Order Byte) |
| | | | | 5 | Stack Pointer + 2 | 1 | Address of Next Instruction (Low Order Byte) |
| WAI | | | 9 | 1 | Opcode Address | 1 | Opcode |
| | | | | 2 | Opcode Address + 1 | 1 | Opcode of Next Instruction |
| | | | | 3 | Stack Pointer | 0 | Return Address (Low Order Byte) |
| | | | | 4 | Stack Pointer - 1 | 0 | Return Address (High Order Byte) |
| | | | | 5 | Stack Pointer - 2 | 0 | Index Register (Low Order Byte) |
| | | | | 6 | Stack Pointer - 3 | 0 | Index Register (High Order Byte) |
| | | | | 7 | Stack Pointer - 4 | 0 | Contents of Accumulator A |
| | | | | 8 | Stack Pointer - 5 | 0 | Contents of Accumulator B |
| | | | | 9 | Stack Pointer - 6 | 0 | Contents of Condition Code Register |

TABLE 14 — CYCLE-BY-CYCLE OPERATION (Sheet 5 of 5)

| Address Mode and Instructions | Cycles | Cycle # | Address Bus | R/W Line | Data Bus |
|-------------------------------------------------------------------------------------|--------|---------|-----------------------------|----------|-------------------------------------------------------|
| INHERENT | | | | | |
| MUL | 10 | 1 | Opcode Address | 1 | Opcode |
| | | 2 | Opcode Address + 1 | 1 | Irrelevant Data |
| | | 3 | Address Bus FFFF | 1 | Low Byte of Restart Vector |
| | | 4 | Address Bus FFFF | 1 | Low Byte of Restart Vector |
| | | 5 | Address Bus FFFF | 1 | Low Byte of Restart Vector |
| | | 6 | Address Bus FFFF | 1 | Low Byte of Restart Vector |
| | | 7 | Address Bus FFFF | 1 | Low Byte of Restart Vector |
| | | 8 | Address Bus FFFF | 1 | Low Byte of Restart Vector |
| | | 9 | Address Bus FFFF | 1 | Low Byte of Restart Vector |
| | | 10 | Address Bus FFFF | 1 | Low Byte of Restart Vector |
| RTI | 10 | 1 | Opcode Address | 1 | Opcode |
| | | 2 | Opcode Address + 1 | 1 | Irrelevant Data |
| | | 3 | Stack Pointer | 1 | Irrelevant Data |
| | | 4 | Stack Pointer + 1 | 1 | Contents of Condition Code Register from Stack |
| | | 5 | Stack Pointer + 2 | 1 | Contents of Accumulator B from Stack |
| | | 6 | Stack Pointer + 3 | 1 | Contents of Accumulator A from Stack |
| | | 7 | Stack Pointer + 4 | 1 | Index Register from Stack (High Order Byte) |
| | | 8 | Stack Pointer + 5 | 1 | Index Register from Stack (Low Order Byte) |
| | | 9 | Stack Pointer + 6 | 1 | Next Instruction Address from Stack (High Order Byte) |
| | | 10 | Stack Pointer + 7 | 1 | Next Instruction Address from Stack (Low Order Byte) |
| SWI | 12 | 1 | Opcode Address | 1 | Opcode |
| | | 2 | Opcode Address + 1 | 1 | Irrelevant Data |
| | | 3 | Stack Pointer | 0 | Return Address (Low Order Byte) |
| | | 4 | Stack Pointer - 1 | 0 | Return Address (High Order Byte) |
| | | 5 | Stack Pointer - 2 | 0 | Index Register (Low Order Byte) |
| | | 6 | Stack Pointer - 3 | 0 | Index Register (High Order Byte) |
| | | 7 | Stack Pointer - 4 | 0 | Contents of Accumulator A |
| | | 8 | Stack Pointer - 5 | 0 | Contents of Accumulator B |
| | | 9 | Stack Pointer - 6 | 0 | Contents of Condition Code Register |
| | | 10 | Stack Pointer - 7 | 1 | Irrelevant Data |
| | | 11 | Vector Address FFFA (Hex) | 1 | Address of Subroutine (High Order Byte) |
| | | 12 | Vector Address FFFB (Hex) | 1 | Address of Subroutine (Low Order Byte) |
| RELATIVE | | | | | |
| BCC BHT BNE BLO BCS BLE BPL BHS BEQ BLS BRA BRN BGE BLT BVC BGT BMI BVS | 3 | 1 | Opcode Address | 1 | Opcode |
| | | 2 | Opcode Address + 1 | 1 | Branch Offset |
| | | 3 | Address Bus FFFF | 1 | Low Byte of Restart Vector |
| BSR | 6 | 1 | Opcode Address | 1 | Opcode |
| | | 2 | Opcode Address + 1 | 1 | Branch Offset |
| | | 3 | Address Bus FFFF | 1 | Low Byte of Restart Vector |
| | | 4 | Subroutine Starting Address | 1 | Opcode of Next Instruction |
| | | 5 | Stack Pointer | 0 | Return Address (Low Order Byte) |
| | | 6 | Stack Pointer - 1 | 0 | Return Address (High Order Byte) |



FIGURE 25 — SPECIAL OPERATIONS



Legend
 RTN = Address of next instruction in Main Program to be executed upon return from subroutine
 RTNH = Most significant byte of Return Address
 RTNL = Least significant byte of Return Address
 → = Stack Pointer After Execution
 K = 8-bit Unsigned Value

ORDERING INFORMATION

The following information is required when ordering a custom MCU. The information may be transmitted to Motorola using the following media:

MDOS, disk file
PC-DOS disk file (360K)
EPROM(s) 2516, 2716, MC68701

To initiate a ROM pattern for the MCU, it is necessary to first contact the local field service office, sales person, or a Motorola representative.

FLEXIBLE DISKS

Several types of flexible disks (MDOS™ or PC-DOS disk file) may be submitted for pattern generation. They should be programmed with the customer's program, using positive logic sense for address and data. The diskette should be clearly labeled with the customer's name, date, project or product name, and the filename containing the pattern.

In addition to the program pattern, a file containing the program source code listing can be included. This data will be kept confidential and used to expedite the process in case of any difficulty with the pattern file.

MDOS Disk File

MDOS is Motorola's Disk Operating System available on the EXORciser® development system. The disk media submitted must be a single-sided, single-density, 8-inch MDOS compatible floppy diskette. The diskette must contain the minimum set of MDOS system files in addition to the pattern file.

The .LO output of the M6801 cross assembler should be furnished. In addition, the file must be produced using the ROLLOUT command, so that it contains the absolute image of the M6801 memory. It is necessary to include the entire memory image of both program and data space. All unused bytes, including those in the user space, must be set in logic zero.

PC-DOS Disk File

PC-DOS is the IBM® Personal Computer Disk Operating System. Disk media submitted must be standard density (360K), double-sided 5-1/4 inch compatible floppy diskette. The diskette must contain the object file code in Motorola's S-record format. The S-record format is a character-based object file format generated by M6801 cross assemblers and linkers on IBM PC style machines.

EPROMS

A single 2K EPROM is necessary to contain the entire MC6801 program. The EPROM is programmed with the customer program using positive logic sense for address and data. All unused bytes, including the user's space, must be set to zero.

If the MC6801 MCU ROM pattern is submitted on a single 2516 or 2716 type EPROM, memory map addressing is one-for-one. The data space ROM runs from EPROM address \$000 to \$7FF. If an MC68701 is used, the ROM map runs from \$F800 to \$FFFF.

For shipment to Motorola, EPROMs should be placed in a conductive IC carrier and packed securely. Styrofoam is not acceptable for shipment.

Verification Media

All original pattern media, EPROMs or floppy disks, are filed for contractual purposes and are not returned. A computer listing of the ROM code will be generated and returned along with a listing verification form. The listing should be thoroughly checked and the verification form completed, signed, and returned to Motorola. The signed verification form constitutes the contractual agreement for the creation of the customer mask. To aid in the verification process, Motorola will program customer supplied blank EPROM(s) or DOS disks from the data file used to create the custom mask.

ROM Verification Units (RVUs)

Ten MCUs containing the customer's ROM pattern will be sent for program verification. These units will have been made using the custom mask, but are for the purpose of ROM verification only. For expediency, the MCUs are unmarked, packaged in ceramic, and tested with five volts at room temperature. These RVUs are free with the minimum order quantity, but are not production parts. These RVUs are not guaranteed by Motorola Quality Assurance.

Ordering Information

The following table provides generic information pertaining to the package type and temperature for the MC6801/MC6803. This MCU device is available only in the 40-pin dual-in-line (DIP) package in the Cerdip and Plastic packages.

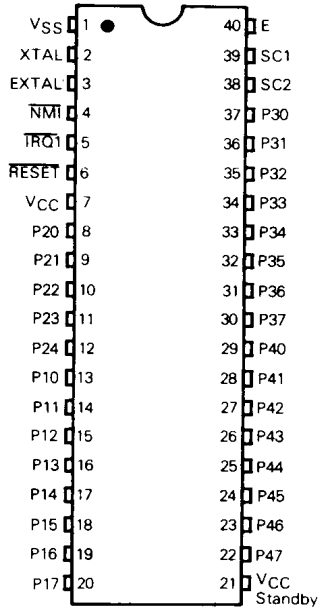
MDOS is a trademark of Motorola Inc.
MS-DOS is a trademark of Microsoft, Inc.
EXORciser is a registered trademark of Motorola Inc.
IBM is a registered trademark of International Business Machines Corporation.

GENERIC INFORMATION

| Frequency (MHz) | Temperature (Degrees C) | Cerdip Package (S Suffix) | Plastic Package (P Suffix) |
|-----------------|-------------------------|---------------------------|----------------------------|
| 1.0 | 0 to 70 | MC6801S1 | MC6801P1 |
| 1.0 | -40 to +85 | MC6801CS1 | MC6801CP1 |
| 1.25 | 0 to 70 | MC6801S1-1 | MC6801P1-1 |
| 1.25 | -40 to +85 | MC6801CS-1 | MC6801CP-1 |
| 2.0 | 0 to 70 | MC68B01S1 | MC68B01P1 |
| 1.0 | 0 to 70 | MC6803S | MC6803P |
| 1.0 | -40 to +85 | MC6803CS | MC6803CP |
| 1.25 | 0 to 70 | MC6803S-1 | MC6803P-1 |
| 1.25 | -40 to +85 | MC6803CS-1 | MC6803CP-1 |
| 2.0 | 0 to 70 | MC68B03S | MC68B03P |

MC6801/6803

PIN ASSIGNMENT



3