

Order this document by
MC68HC08AS32/D
Rev. 3.0

HCO8

68HC08AS32

Advance Information

This document contains information on a new product.
Specifications and information herein are subject to change without notice.



MOTOROLA

Motorola reserves the right to make changes without further notice to any products herein to improve reliability, function or design. Motorola does not assume any liability arising out of the application or use of any product or circuit described herein; neither does it convey any license under its patent rights nor the rights of others. Motorola products are not designed, intended, or authorized for use as components in systems intended for surgical implant into the body, or other applications intended to support or sustain life, or for any other application in which the failure of the Motorola product could create a situation where personal injury or death may occur. Should Buyer purchase or use Motorola products for any such unintended or unauthorized application, Buyer shall indemnify and hold Motorola and its officers, employees, subsidiaries, affiliates, and distributors harmless against all claims, costs, damages, and expenses, and reasonable attorney fees arising out of, directly or indirectly, any claim of personal injury or death associated with such unintended or unauthorized use, even if such claim alleges that Motorola was negligent regarding the design or manufacture of the part.

List of Sections

Section 1. General Description	29
Section 2. Memory Map	43
Section 3. Random-Access Memory (RAM)	55
Section 4. Read-Only Memory (ROM)	57
Section 5. Mask Options	59
Section 6. Electrically Erasable Programmable ROM (EEPROM)	63
Section 7. Central Processor Unit (CPU)	75
Section 8. Clock Generator Module (CGM)	93
Section 9. System Integration Module (SIM)	121
Section 10. Low-Voltage Inhibit (LVI)	145
Section 11. Break Module (Break)	151
Section 12. Monitor ROM (MON)	159
Section 13. Computer Operating Properly (COP)	169
Section 14. External Interrupt (IRQ)	175
Section 15. Input/Output (I/O) Ports	183
Section 16. Timer Interface (TIM)	205

Section 17. Serial Communications	
Interface (SCI)	235
Section 18. Serial Peripheral Interface (SPI)	275
Section 19. Analog-to-Digital Converter (ADC)	309
Section 20. Byte Data Link Controller-Digital (BDLC-D)	321
Section 21. Electrical Specifications	371
Section 22. Mechanical Data	385
Section 23. Ordering Information	389

Table of Contents

Section 1. General Description

1.1	Contents	29
1.2	Introduction	30
1.3	Features	30
1.4	MCU Block Diagram	31
1.5	Pin Assignments	33
1.5.1	Power Supply Pins (V_{DD} and V_{SS})	35
1.5.2	Oscillator Pins (OSC1 and OSC2)	36
1.5.3	External Reset Pin (\overline{RST})	36
1.5.4	External Interrupt Pin (\overline{IRQ})	36
1.5.5	Analog Power Supply Pin (V_{DDA}/V_{DDAREF})	36
1.5.6	ADC High Reference Pin (V_{REFH})	36
1.5.7	Analog Ground Pin (V_{SSA}/V_{REFL})	37
1.5.8	External Filter Capacitor Pin (CGMXFC)	37
1.5.9	Port A Input/Output (I/O) Pins (PTA7–PTA0)	37
1.5.10	Port B I/O Pins (PTB7/ATD7–PTB0/ATD0)	37
1.5.11	Port C I/O Pins (PTC4–PTC0)	37
1.5.12	Port D I/O Pins (PTD6/ATD14/TCLKA–PTD0/ATD8)	38
1.5.13	Port E I/O Pins (PTE7/SPSCK–PTE0/TxD)	38
1.5.14	Port F I/O Pins (PTF3/TCH5–PTF0/TCH2)	38
1.5.15	J1850 Transmit Pin Digital (BDTxD)	38
1.5.16	J1850 Receive Pin Digital (BDRxD)	38

Section 2. Memory Map

2.1	Contents	43
2.2	Introduction	43
2.3	Input/Output (I/O) Section	46

Section 3. Random-Access Memory (RAM)

3.1	Contents	55
3.2	Introduction	55
3.3	Functional Description	55

Section 4. Read-Only Memory (ROM)

4.1	Contents	57
4.2	Introduction	57
4.3	Functional Description	57

Section 5. Mask Options

5.1	Contents	59
5.2	Introduction	59
5.3	Functional Description	59
5.4	Mask Option Register	60

Section 6. Electrically Erasable Programmable ROM (EEPROM)

6.1	Contents	63
6.2	Introduction	63
6.3	Features	64
6.4	Functional Description	64
6.4.1	EEPROM Programming	64
6.4.2	EEPROM Erasing	66
6.4.3	EEPROM Block Protection	68
6.4.4	EEPROM Redundant Mode	69
6.4.5	EEPROM Configuration	69
6.4.6	EEPROM Control Register	70
6.4.7	EEPROM Non-volatile Register and EEPROM Array Configuration Register	72
6.4.8	Low-Power Modes	73
6.4.8.1	Wait Mode	73
6.4.8.2	Stop Mode	73

Section 7. Central Processor Unit (CPU)

7.1	Contents	75
7.2	Introduction	75
7.3	Features	76
7.4	CPU Registers	77
7.4.1	Accumulator	77
7.4.2	Index Register	78
7.4.3	Stack Pointer	79
7.4.4	Program Counter	80
7.4.5	Condition Code Register	81
7.5	Arithmetic/Logic Unit (ALU)	83
7.6	CPU During Break Interrupts	83
7.7	Instruction Set Summary	84
7.8	Opcode Map	91

Section 8. Clock Generator Module (CGM)

8.1	Contents	93
8.2	Introduction	94
8.3	Features	94
8.4	Functional Description	95
8.4.1	Crystal Oscillator Circuit	95
8.4.2	Phase-Locked Loop Circuit (PLL)	97
8.4.2.1	Circuits	97
8.4.2.2	Acquisition and Tracking Modes	99
8.4.2.3	Automatic and Manual PLL Bandwidth Modes	99
8.4.2.4	Programming the PLL	101
8.4.2.5	Special Programming Exceptions	103
8.4.3	Base Clock Selector Circuit	103
8.4.4	CGM External Connections	104
8.5	I/O Signals	105
8.5.1	Crystal Amplifier Input Pin (OSC1)	105
8.5.2	Crystal Amplifier Output Pin (OSC2)	105
8.5.3	External Filter Capacitor Pin (CGMXFC)	105
8.5.4	Analog Power Pin (V_{DDA}/V_{DDAREF})	106
8.5.5	Oscillator Enable Signal (SIMOSCEN)	106

8.5.6	Crystal Output Frequency Signal (CGMXCLK)	106
8.5.7	CGM Base Clock Output (CGMOUT)	106
8.5.8	CGM CPU Interrupt (CGMINT)	106
8.6	CGM Registers	107
8.6.1	PLL Control Register	108
8.6.2	PLL Bandwidth Control Register	110
8.6.3	PLL Programming Register	112
8.7	Interrupts	113
8.8	Special Modes	114
8.8.1	Wait Mode	114
8.8.2	Stop Mode	114
8.9	CGM During Break Interrupts	115
8.10	Acquisition/Lock Time Specifications	115
8.10.1	Acquisition/Lock Time Definitions	115
8.10.2	Parametric Influences on Reaction Time	117
8.10.3	Choosing a Filter Capacitor	118
8.10.4	Reaction Time Calculation	119

Section 9. System Integration Module (SIM)

9.1	Contents	121
9.2	Introduction	122
9.3	SIM Bus Clock Control and Generation	125
9.3.1	Bus Timing	125
9.3.2	Clock Startup from POR or LVI Reset	125
9.3.3	Clocks in Stop Mode and Wait Mode	126
9.4	Reset and System Initialization	126
9.4.1	External Pin Reset	127
9.4.2	Active Resets from Internal Sources	128
9.4.2.1	Power-On Reset	129
9.4.2.2	Computer Operating Properly (COP) Reset	130
9.4.2.3	Illegal Opcode Reset	130
9.4.2.4	Illegal Address Reset	130
9.4.2.5	Low-Voltage Inhibit (LVI) Reset	130

9.5	SIM Counter	131
9.5.1	SIM Counter During Power-On Reset	131
9.5.2	SIM Counter During Stop Mode Recovery	131
9.5.3	SIM Counter and Reset States	131
9.6	Program Exception Control	132
9.6.1	Interrupts	132
9.6.1.1	Hardware Interrupts	134
9.6.1.2	SWI Instruction	135
9.6.2	Reset	136
9.6.3	Break Interrupts	136
9.6.4	Status Flag Protection in Break Mode	136
9.7	Low-Power Modes	137
9.7.1	Wait Mode	137
9.7.2	Stop Mode	138
9.8	SIM Registers	140
9.8.1	SIM Break Status Register	140
9.8.2	SIM Reset Status Register	142
9.8.3	SIM Break Flag Control Register	143

Section 10. Low-Voltage Inhibit (LVI)

10.1	Contents	145
10.2	Introduction	145
10.3	Features	146
10.4	Functional Description	146
10.4.1	Polled LVI Operation	147
10.4.2	Forced Reset Operation	147
10.4.3	False Reset Protection	148
10.5	LVI Status Register	148
10.6	LVI Interrupts	149
10.7	Low-Power Modes	149
10.7.1	Wait Mode	149
10.7.2	Stop Mode	149

Section 11. Break Module (Break)

11.1	Contents	151
11.2	Introduction	151
11.3	Features	152
11.4	Functional Description	152
11.4.1	Flag Protection During Break Interrupts	153
11.4.2	CPU During Break Interrupts	154
11.4.3	TIM During Break Interrupts	154
11.4.4	COP During Break Interrupts	154
11.5	Break Module Registers	154
11.5.1	Break Status and Control Register	155
11.5.2	Break Address Registers	156
11.6	Low-Power Modes	156
11.6.1	Wait Mode	156
11.6.2	Stop Mode	157

Section 12. Monitor ROM (MON)

12.1	Contents	159
12.2	Introduction	159
12.3	Features	160
12.4	Functional Description	160
12.4.1	Entering Monitor Mode	162
12.4.2	Data Format	163
12.4.3	Echoing	164
12.4.4	Break Signal	164
12.4.5	Commands	165
12.4.6	Baud Rate	168

Section 13. Computer Operating Properly (COP)

13.1	Contents	169
13.2	Introduction	169
13.3	Functional Description	170

13.4	I/O Signals	172
13.4.1	CGMXCLK	172
13.4.2	STOP Instruction	172
13.4.3	COPCTL Write	172
13.4.4	Internal Reset Resources	172
13.4.5	Reset Vector Fetch	172
13.4.6	COPD (COP Disable)	172
13.4.7	COPS (COP Short Timeout)	173
13.5	COP Control Register	173
13.6	Interrupts	173
13.7	Monitor Mode	173
13.8	Low-Power Modes	174
13.8.1	Wait Mode	174
13.8.2	Stop Mode	174
13.9	COP Module During Break Interrupts	174

Section 14. External Interrupt (IRQ)

14.1	Contents	175
14.2	Introduction	175
14.3	Features	175
14.4	Functional Description	176
14.5	$\overline{\text{IRQ}}$ Pin	179
14.6	IRQ Module During Break Interrupts	180
14.7	IRQ Status and Control Register	180

Section 15. Input/Output (I/O) Ports

15.1	Contents	183
15.2	Introduction	184
15.3	Port A	185
15.3.1	Port A Data Register	185
15.3.2	Data Direction Register A	186
15.4	Port B	188
15.4.1	Port B Data Register	188
15.4.2	Data Direction Register B	189

15.5	Port C	191
15.5.1	Port C Data Register	191
15.5.2	Data Direction Register C	192
15.6	Port D	194
15.6.1	Port D Data Register	194
15.6.2	Data Direction Register D	195
15.7	Port E	197
15.7.1	Port E Data Register	197
15.7.2	Data Direction Register E	199
15.8	Port F	201
15.8.1	Port F Data Register	201
15.8.2	Data Direction Register F	202

Section 16. Timer Interface (TIM)

16.1	Contents	205
16.2	Introduction	206
16.3	Features	206
16.4	Functional Description	209
16.4.1	TIM Counter Prescaler	209
16.4.2	Input Capture	209
16.4.3	Output Compare	211
16.4.3.1	Unbuffered Output Compare	211
16.4.3.2	Buffered Output Compare	212
16.4.4	Pulse Width Modulation (PWM)	213
16.4.4.1	Unbuffered PWM Signal Generation	214
16.4.4.2	Buffered PWM Signal Generation	215
16.4.4.3	PWM Initialization	216
16.5	Interrupts	218
16.6	Low-Power Modes	218
16.6.1	Wait Mode	218
16.6.2	Stop Mode	219
16.7	TIM During Break Interrupts	219
16.8	I/O Signals	220
16.8.1	TIM Clock Pin (PTD6/ATD14/TCLK)	220

16.8.2	TIM Channel I/O Pins (PTF3/TCH5–PTF0/ TCH2 and PTE3/TCH1–PTE2/TCH0)	220
16.9	I/O Registers	221
16.9.1	TIM Status and Control Register	221
16.9.2	TIM Counter Registers	224
16.9.3	TIM Counter Modulo Registers	225
16.9.4	TIM Channel Status and Control Registers	226
16.9.5	TIM Channel Registers	231

Section 17. Serial Communications Interface (SCI)

17.1	Contents	235
17.2	Introduction	236
17.3	Features	236
17.4	Functional Description	237
17.4.1	Data Format	240
17.4.2	Transmitter	240
17.4.3	Character Length	240
17.4.4	Character Transmission	241
17.4.5	Break Characters	244
17.4.6	Idle Characters	245
17.4.7	Inversion of Transmitted Output	245
17.4.8	Transmitter Interrupts	246
17.4.9	Receiver	246
17.4.10	Character Length	249
17.4.11	Character Reception	249
17.4.12	Data Sampling	250
17.4.13	Framing Errors	252
17.4.14	Receiver Wakeup	252
17.5	Receiver Interrupts	253
17.5.1	Error Interrupts	254
17.6	Low-Power Modes	255
17.6.1	Wait Mode	255
17.6.2	Stop Mode	255
17.7	SCI During Break Module Interrupts	255

17.8	I/O Signals	256
17.8.1	PTE0/TxD (Transmit Data)	256
17.8.2	PTE1/RxD (Receive Data)	256
17.9	I/O Registers	257
17.9.1	SCI Control Register 1	257
17.9.2	SCI Control Register 2	261
17.9.3	SCI Control Register 3	263
17.9.4	SCI Status Register 1	265
17.9.5	SCI Status Register 2	269
17.9.6	SCI Data Register	270
17.9.7	SCI Baud Rate Register	271

Section 18. Serial Peripheral Interface (SPI)

18.1	Contents	275
18.2	Introduction	276
18.3	Features	276
18.4	Pin Name and Register Name Conventions	277
18.5	Functional Description	278
18.5.1	Master Mode	280
18.5.2	Slave Mode	281
18.6	Transmission Formats	282
18.6.1	Clock Phase and Polarity Controls	282
18.6.2	Transmission Format When CPHA = 0	283
18.6.3	Transmission Format When CPHA = 1	284
18.6.4	Transmission Initiation Latency	286
18.7	Error Conditions	288
18.7.1	Overflow Error	288
18.7.2	Mode Fault Error	290
18.8	Interrupts	292
18.9	Queuing Transmission Data	293
18.10	Resetting the SPI	295
18.11	Low-Power Modes	296
18.11.1	Wait Mode	296
18.11.2	Stop Mode	296
18.12	SPI During Break Interrupts	297

18.13	I/O Signals	298
18.13.1	MISO (Master In/Slave Out)	298
18.13.2	MOSI (Master Out/Slave In)	299
18.13.3	SPSCK (Serial Clock)	299
18.13.4	\overline{SS} (Slave Select)	300
18.13.5	V_{SS} (Clock Ground)	301
18.14	I/O Registers	301
18.14.1	SPI Control Register	302
18.14.2	SPI Status and Control Register	304
18.14.3	SPI Data Register	308

Section 19. Analog-to-Digital Converter (ADC)

19.1	Contents	309
19.2	Introduction	310
19.3	Features	310
19.4	Functional Description	310
19.4.1	ADC Port I/O Pins	311
19.4.2	Voltage Conversion	312
19.4.3	Conversion Time	312
19.4.4	Continuous Conversion Mode	313
19.4.5	Accuracy and Precision	313
19.5	Interrupts	313
19.6	Low-Power Modes	313
19.6.1	Wait Mode	313
19.6.2	Stop Mode	314
19.7	I/O Signals	314
19.7.1	ADC Analog Power Pin (V_{DDA}/V_{DDAREF})/ ADC Voltage Reference Pin (V_{REFH})	314
19.7.2	ADC Analog Ground Pin (V_{SSA})/ ADC Voltage Reference Low Pin (V_{REFL})	314
19.7.3	ADC Voltage In (ADCVIN)	315
19.8	I/O Registers	315
19.8.1	ADC Status and Control Register	315
19.8.2	ADC Data Register	318
19.8.3	ADC Input Clock Register	318

Section 20. Byte Data Link Controller-Digital (BDLC-D)

20.1	Contents	321
20.2	Introduction	323
20.3	Features	323
20.4	Functional Description	324
20.4.1	BDLC Operating Modes	326
20.4.1.1	Power Off Mode	327
20.4.1.2	Reset Mode	327
20.4.1.3	Run Mode	327
20.4.1.4	BDLC Wait Mode	328
20.4.1.5	BDLC Stop Mode	328
20.4.1.6	Digital Loopback Mode	328
20.4.1.7	Analog Loopback Mode	329
20.5	BDLC MUX Interface	329
20.5.1	Rx Digital Filter	330
20.5.1.1	Operation	330
20.5.1.2	Performance	331
20.5.2	J1850 Frame Format	332
20.5.3	J1850 VPW Symbols	335
20.5.4	J1850 VPW Valid/Invalid Bits and Symbols	338
20.5.5	Message Arbitration	343
20.6	BDLC Protocol Handler	345
20.6.1	Protocol Architecture	346
20.6.2	Rx and Tx Shift Registers	347
20.6.3	Rx and Tx Shadow Registers	347
20.6.4	Digital Loopback Multiplexer	347
20.6.5	State Machine	348
20.6.5.1	4X Mode	348
20.6.5.2	Receiving a Message in Block Mode	348
20.6.5.3	Transmitting a Message in Block Mode	348
20.6.5.4	J1850 Bus Errors	349
20.6.5.5	Summary	351
20.7	BDLC CPU Interface	352
20.7.1	BDLC Analog and Roundtrip Delay Register	353
20.7.2	BDLC Control Register 1	354
20.7.3	BDLC Control Register 2	357

20.7.4	BDLC State Vector Register	364
20.7.5	BDLC Data Register	366
20.8	Low-Power Modes	368
20.8.1	Wait Mode	368
20.8.2	Stop Mode	368

Section 21. Electrical Specifications

21.1	Contents	371
21.2	Maximum Ratings	372
21.3	Functional Operating Range	373
21.4	Thermal Characteristics	373
21.5	5.0-Volt DC Electrical Characteristics Control Timing	374
21.6	Control Timing	375
21.7	ADC Characteristics	376
21.8	5.0-Vdc \pm 10% Serial Peripheral Interface (SPI) Timing	377
21.9	CGM Operating Conditions	380
21.10	CGM Component Information	380
21.11	CGM Acquisition/Lock Time Information	381
21.12	Timer Module Characteristics	382
21.13	RAM Characteristics	382
21.14	EEPROM Characteristics	382
21.15	BDLC Transmitter VPW Symbol Timings	382
21.16	BDLC Receiver VPW Symbol Timings	383
21.17	BDLC Transmitter DC Electrical Characteristics	384
21.18	BDLC Receiver DC Electrical Characteristics	384

Section 22. Mechanical Data

22.1	Contents	385
22.2	Introduction	385
22.3	52-Pin Plastic Leaded Chip Carrier Package (Case 778)	386
22.4	64-Pin Quad Flat Pack (Case 840B)	387

Section 23. Ordering Information

23.1	Contents	389
23.2	Introduction	389
23.3	MCU Ordering Forms	389
23.4	Application Program Media.	390
23.5	ROM Program Verification	391
23.6	MC Order Numbers	392

List of Figures

Figure	Title	Page
1-1	MCU Block Diagram for 52-Pin PLCC and 64-Pin QFP	32
1-2	52-Pin PLCC Assignments (Top View)	33
1-3	64-Pin QFP Assignments (Top View).	34
1-4	Power Supply Bypassing	35
2-1	Memory Map	44
2-2	Control, Status, and Data Register.	47
5-1	Mask Option Register (MOR)	60
6-1	EEPROM Control Register (EECR)	70
6-2	EEPROM Array Control Register (EEACR)	72
6-3	EEPROM Non-volatile Register (EENVR)	72
7-1	CPU Registers	77
7-2	Accumulator (A)	77
7-3	Index Register (H:X)	78
7-4	Stack Pointer (SP)	79
7-5	Program Counter (PC)	80
7-6	Condition Code Register (CCR)	81
8-1	CGM Block Diagram.	96
8-2	CGM External Connections	105
8-3	PLL Control Register (PCTL)	108
8-4	PLL Bandwidth Control Register (PBWC)	110
8-5	PLL Programming Register (PPG)	112

List of Figures

Figure	Title	Page
9-1	SIM Block Diagram	123
9-2	CGM Clock Signals	125
9-3	External Reset Timing	127
9-4	Internal Reset Timing	128
9-5	Sources of Internal Reset	128
9-6	POR Recovery	129
9-7	Hardware Interrupt Entry	132
9-8	Interrupt Processing	133
9-9	Hardware Interrupt Recovery	134
9-10	Interrupt Recognition Example	135
9-11	Wait Mode Entry Timing	137
9-12	Wait Recovery from Interrupt or Break	138
9-13	Wait Recovery from Internal Reset	138
9-14	Stop Mode Entry Timing	139
9-15	Stop Mode Recovery from Interrupt or Break	139
9-16	SIM Break Status Register (SBSR)	140
9-17	SIM Reset Status Register (SRSR)	142
9-18	SIM Break Flag Control Register (SBFCR)	143
10-1	LVI Module Block Diagram	147
10-2	LVI Status Register (LVISR)	148
11-1	Break Module Block Diagram	153
11-2	Break Status and Control Register (BRKSCR)	155
11-3	Break Address Register (BRKH)	156
11-4	Break Address Register (BRKL)	156
12-1	Monitor Mode Circuit	161
12-2	Monitor Data Format	163
12-3	Sample Monitor Waveforms	163
12-4	Read Transaction	164
12-5	Break Transaction	164

Figure	Title	Page
13-1	COP Block Diagram	170
13-2	COP Control Register (COPCTL).	173
14-1	IRQ Block Diagram.	176
14-2	IRQ Interrupt Flowchart	178
14-3	IRQ Status and Control Register (ISCR)	181
15-1	Port A Data Register (PTA)	185
15-2	Data Direction Register A (DDRA)	186
15-3	Port A I/O Circuit	186
15-4	Port B Data Register (PTB)	188
15-5	Data Direction Register B (DDRB)	189
15-6	Port B I/O Circuit	189
15-7	Port C Data Register (PTC)	191
15-8	Data Direction Register C (DDRC).	192
15-9	Port C I/O Circuit	193
15-10	Port D Data Register (PTD)	194
15-11	Data Direction Register D (DDRD).	195
15-12	Port D I/O Circuit	196
15-13	Port E Data Register (PTE)	197
15-14	Data Direction Register E (DDRE)	199
15-15	Port E I/O Circuit	200
15-16	Data Direction Register F (DDRF)	201
15-17	Data Direction Register F (DDRF)	202
15-18	Port F I/O Circuit.	202
16-1	TIM Block Diagram.	207
16-2	PWM Period and Pulse Width	213
16-3	TIM Status and Control Register (TSC)	222
16-4	TIM Counter Registers (TCNTH and TCNTL)	224
16-5	TIM Counter Modulo Registers (TMODH and TMODL)	225
16-6	TIM Channel Status and Control Registers (TSC0–TSC5)	226

List of Figures

Figure	Title	Page
16-7	CHxMAX Latency	231
16-8	TIM Channel Registers (TCH0H/L–TCH3H/L)	232
17-1	SCI Module Block Diagram	238
17-2	SCI Data Formats	240
17-3	SCI Transmitter	242
17-4	SCI Receiver Block Diagram	247
17-5	Receiver Data Sampling	250
17-6	SCI Control Register 1 (SCC1)	258
17-7	SCI Control Register 2 (SCC2)	261
17-8	SCI Control Register 3 (SCC3)	264
17-9	SCI Status Register 1 (SCS1)	265
17-10	Flag Clearing Sequence	268
17-11	SCI Status Register 2 (SCS2)	269
17-12	SCI Data Register (SCDR)	270
17-13	SCI BAUD Rate Register 1 (SCBR)	271
18-1	SPI Module Block Diagram	279
18-2	Full-Duplex Master-Slave Connections	280
18-3	Transmission Format (CPHA = 0)	283
18-4	CPHA/ \overline{SS} Timing	284
18-5	Transmission Format (CPHA = 1)	285
18-6	Transmission Start Delay (Master)	287
18-7	Missed Read of Overflow Condition	289
18-8	Clearing SPRF When OVRF Interrupt Is Not Enabled	290
18-9	SPI Interrupt Request Generation	293
18-10	SPRF/SPTTE CPU Interrupt Timing	294
18-11	CPHA/ \overline{SS} Timing	300
18-12	SPI Control Register (SPCR)	302
18-13	SPI Status and Control Register (SPSCR)	305
18-14	SPI Data Register (SPDR)	308
19-1	ADC Block Diagram	311
19-2	ADC Status and Control Register (ADSCR)	315

Figure	Title	Page
19-3	ADC Data Register (ADR)	318
19-4	ADC Input Clock Register (ADICLK)	318
20-1	BDLC Block Diagram	324
20-2	BDLC Operating Modes State Diagram	326
20-3	BDLC Block Diagram	329
20-4	BDLC Rx Digital Filter Block Diagram	330
20-5	J1850 Bus Message Format (VPW)	332
20-6	J1850 VPW Symbols with Nominal Symbol Times	336
20-7	J1850 VPW Received Passive Symbol Times	339
20-8	J1850 VPW Received Passive EOF and IFS Symbol Times	340
20-9	J1850 VPW Received Active Symbol Times	341
20-10	J1850 VPW Received BREAK Symbol Times	342
20-11	J1850 VPW Bitwise Arbitrations	343
20-12	BDLC Block Diagram	345
20-13	BDLC Protocol Handler Outline	346
20-14	BDLC Block Diagram	352
20-15	BDLC Analog and Roundtrip Delay Register (BARD)	353
20-16	BDLC Control Register 1 (BCR1)	354
20-17	BDLC Control Register 2 (BCR2)	357
20-18	Types of In-Frame Response (IFR)	360
20-19	BDLC State Vector Register (BSVR)	364
20-20	BDLC Data Register (BDR)	366
21-1	SPI Master Timing	378
21-2	SPI Slave Timing	379
21-3	BDLC Variable Pulse Width Modulation (VPW) Symbol Timing	383

List of Tables

Table	Title	Page
1-1	External Pins Summary	39
1-2	Clock Source Summary	41
2-1	Vector Addresses	53
6-1	EEPROM Program/Erase Cycling Reduction	67
6-2	EEPROM Array Address Blocks	68
6-3	EEPROM Program/Erase Mode Select	71
7-1	Instruction Set Summary	84
7-2	Opcode Map	92
8-1	CGM I/O Register Summary	97
8-2	CGM I/O Register Summary	107
8-3	VCO Frequency Multiplier (N) Selection	112
9-1	SIM I/O Register Summary	123
9-2	Signal Name Conventions	124
9-3	PIN Bit Set Timing	127
10-1	LVI I/O Register Summary	147
10-2	LVIOUT Bit Indication	148
11-1	Break I/O Register Summary	153
12-1	Mode Selection	162
12-2	Mode Differences	163
12-3	READ (Read Memory) Command	165
12-4	WRITE (Write Memory) Command	166
12-5	IREAD (Indexed Read) Command	166

List of Tables

Table	Title	Page
12-6	IWRITE (Indexed Write) Command	167
12-7	READSP (Read Stack Pointer) Command	167
12-8	RUN (Run User Program) Command	168
12-9	Monitor Baud Rate Selection	168
14-1	IRQ I/O Register Summary	177
15-1	I/O Port Register Summary	184
15-2	Port A Pin Functions	187
15-3	Port B Pin Functions	190
15-4	Port C Pin Functions	193
15-5	Port D Pin Functions	196
15-6	Port E Pin Functions	200
15-7	Port F Pin Functions	203
16-1	TIM I/O Register Summary	208
16-2	Prescaler Selection	223
16-3	Mode, Edge, and Level Selection	230
17-1	SCI I/O Register Summary	239
17-2	SCI Transmitter I/O Register Summary	243
17-3	SCI Receiver I/O Register Summary	248
17-4	Start Bit Verification	251
17-5	Data Bit Recovery	251
17-6	Stop Bit Recovery	252
17-7	Character Format Selection	260
17-8	SCI Baud Rate Prescaling	271
17-9	SCI Baud Rate Selection	272
17-10	SCI Baud Rate Selection Examples	273
18-1	Pin Name Conventions	277
18-2	I/O Register Addresses	277
18-3	SPI I/O Register Summary	278
18-4	SPI Interrupts	292
18-5	SPI Configuration	301
18-6	SPI Master Baud Rate Selection	307

Table	Title	Page
19-1	Mux Channel Select	317
19-2	ADC Clock Divide Ratio	319
20-1	BDLC I/O Register Summary	325
20-2	BDLC J1850 Bus Error Summary	351
20-3	BDLC Transceiver Delay	354
20-4	BDLC Rate Selection	356
20-5	BDLC Transmit In-Frame Response Control Bit Priority Encoding	359
20-6	BDLC Interrupt Sources	365
23-1	MC Order Numbers	392

Section 1. General Description

1.1 Contents

1.2	Introduction	30
1.3	Features	30
1.4	MCU Block Diagram	31
1.5	Pin Assignments	33
1.5.1	Power Supply Pins (V_{DD} and V_{SS})	35
1.5.2	Oscillator Pins (OSC1 and OSC2)	36
1.5.3	External Reset Pin (\overline{RST})	36
1.5.4	External Interrupt Pin (\overline{IRQ})	36
1.5.5	Analog Power Supply Pin (V_{DDA}/V_{DDAREF})	36
1.5.6	ADC High Reference Pin (V_{REFH})	36
1.5.7	Analog Ground Pin (V_{SSA}/V_{REFL})	37
1.5.8	External Filter Capacitor Pin (CGMXFC)	37
1.5.9	Port A Input/Output (I/O) Pins (PTA7–PTA0)	37
1.5.10	Port B I/O Pins (PTB7/ATD7–PTB0/ATD0)	37
1.5.11	Port C I/O Pins (PTC4–PTC0)	37
1.5.12	Port D I/O Pins (PTD6/ATD14/TCLKA–PTD0/ATD8)	38
1.5.13	Port E I/O Pins (PTE7/SPSCK–PTE0/TxD)	38
1.5.14	Port F I/O Pins (PTF3/TCH5–PTF0/TCH2)	38
1.5.15	J1850 Transmit Pin Digital (BDTxD)	38
1.5.16	J1850 Receive Pin Digital (BDRxD)	38

1.2 Introduction

The MC68HC08AS32 is a member of the low-cost, high-performance M68HC08 Family of 8-bit microcontroller units (MCUs). The M68HC08 Family is based on the customer-specified integrated circuit (CSIC) design strategy. All MCUs in the family use the enhanced M68HC08 central processor unit (CPU08) and are available with a variety of modules, memory sizes and types, and package types.

1.3 Features

Features of the MC68HC08AS32 include:

- High-performance M68HC08 architecture
- Fully upward-compatible object code with M6805, M146805, and M68HC05 Families
- 8.4-MHz internal bus frequency
- 32,256 bytes of read-only memory (ROM)
- ROM data security
- 512 bytes of on-chip electrically erasable programmable read-only memory (EEPROM)
- 1024 bytes of on-chip random-access memory (RAM)
- Serial peripheral interface module (SPI)
- Serial communications interface module (SCI)
- 16-bit, 6-channel timer interface module (TIM)
- Clock generator module (CGM)
- 8-bit, 15-channel analog-to-digital converter module (ADC)
- SAE J1850 byte data link controller digital module (BDLC-D)

- System protection features:
 - Computer operating properly (COP) with optional reset
 - Low-voltage detection with optional reset
 - Illegal opcode detection with optional reset
 - Illegal address detection with optional reset
- Low-power design (fully static with stop and wait modes)
- Master reset pin and power-on reset

Features of the CPU08 include:

- Enhanced HC05 programming model
- Extensive loop control functions
- 16 addressing modes (eight more than the HC05)
- 16-bit index register and stack pointer
- Memory-to-memory data transfers
- Fast 8×8 multiply instruction
- Fast 16/8 divide instruction
- Binary-coded decimal (BCD) instructions
- Optimization for controller applications
- C language support

1.4 MCU Block Diagram

Figure 1-1 shows the structure of the MC68HC08AS32.

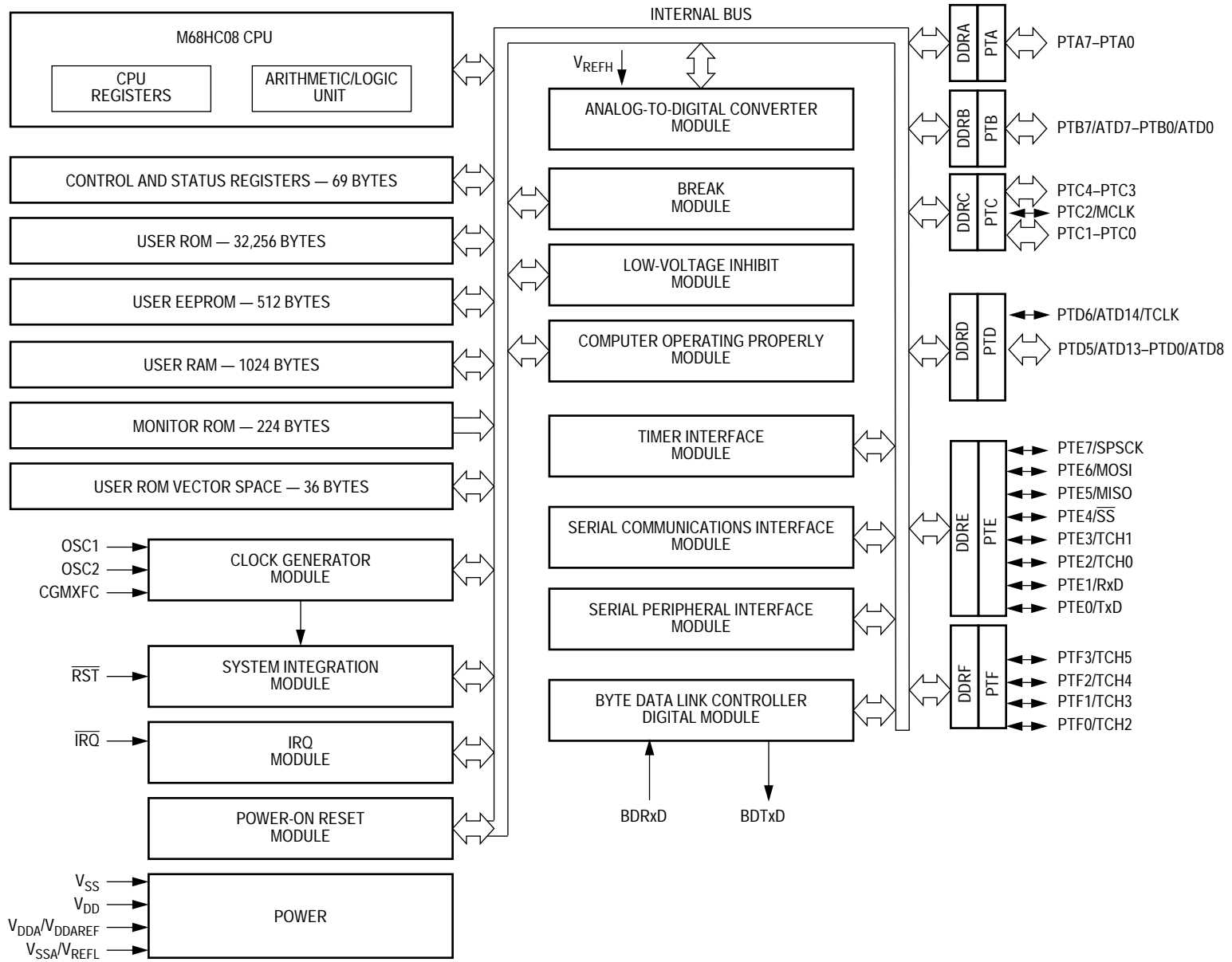


Figure 1-1. MCU Block Diagram for 52-Pin PLCC and 64-Pin QFP

1.5 Pin Assignments

Figure 1-2 shows the 52-pin plastic led chip carrier (PLCC) assignments.

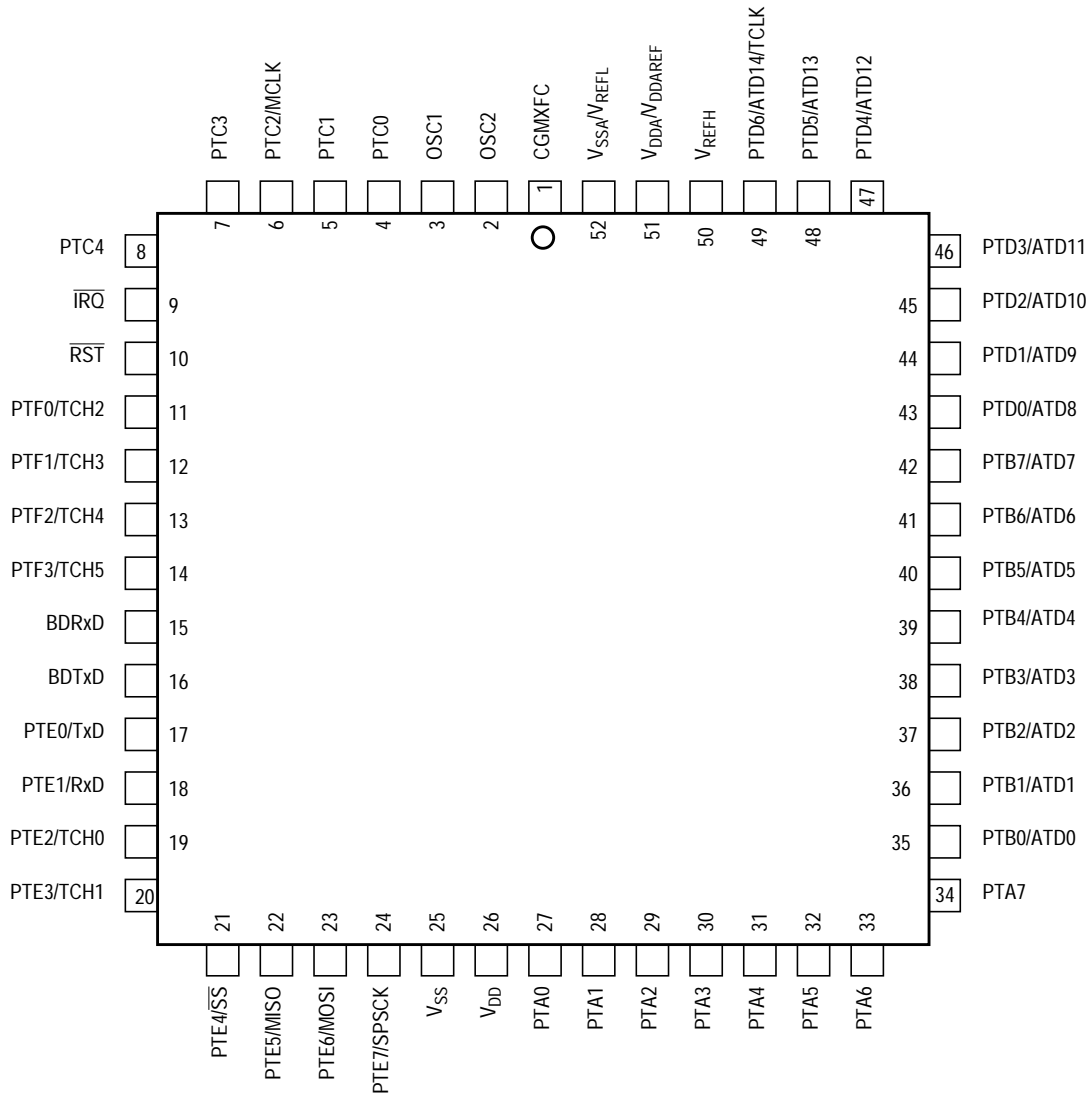


Figure 1-2. 52-Pin PLCC Assignments (Top View)

Figure 1-3 shows the 64-pin quad flat pack (QFP) assignments.

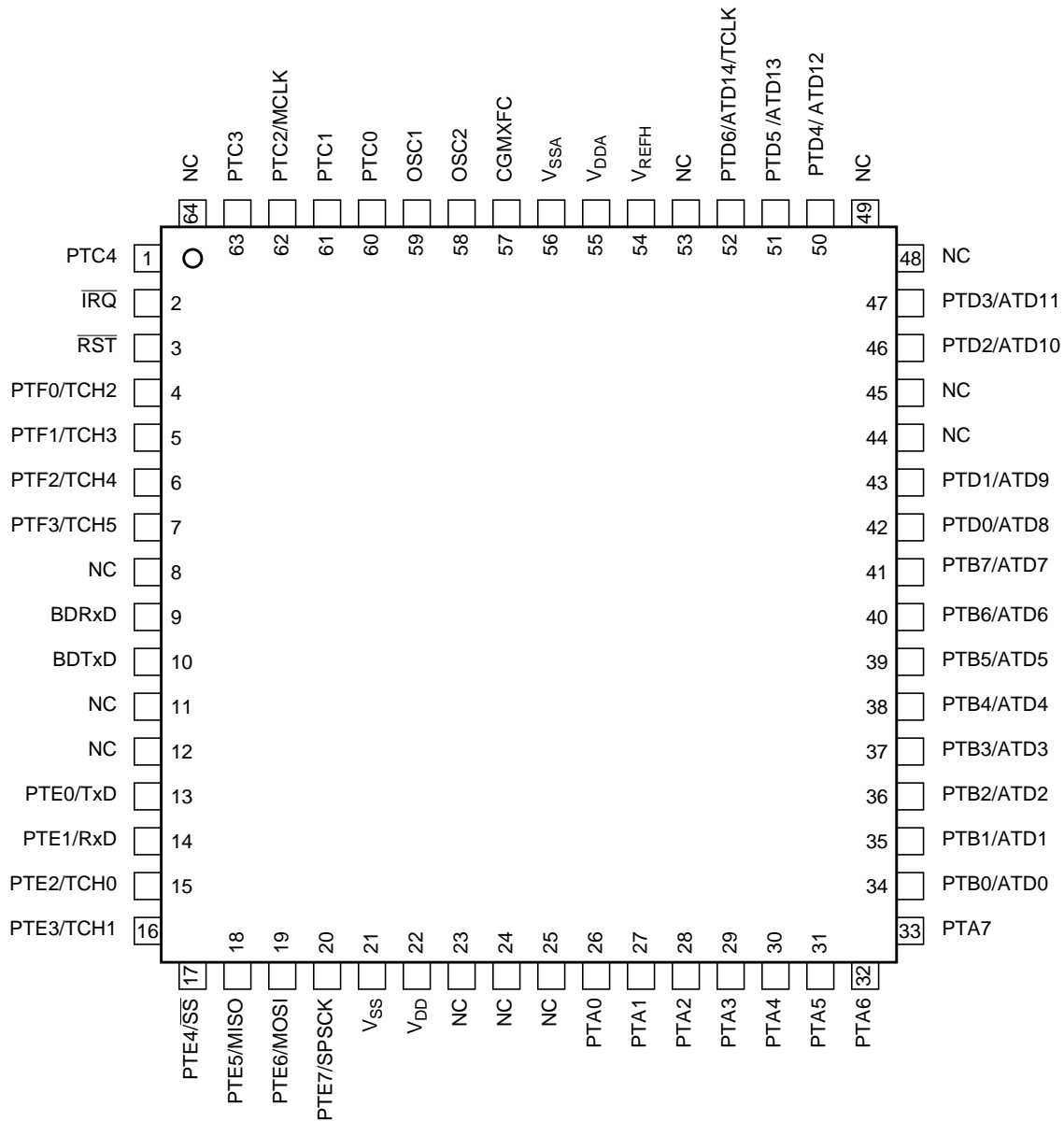
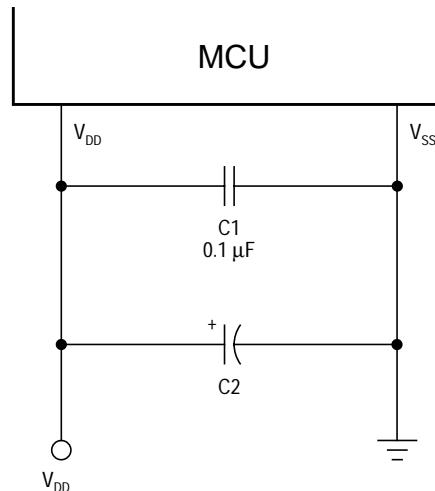


Figure 1-3. 64-Pin QFP Assignments (Top View)

1.5.1 Power Supply Pins (V_{DD} and V_{SS})

V_{DD} and V_{SS} are the power supply and ground pins. The MCU operates from a single power supply.

Fast signal transitions on MCU pins place high, short-duration current demands on the power supply. To prevent noise problems, take special care to provide power supply bypassing at the MCU as [Figure 1-4](#) shows. Place the C1 bypass capacitor as close to the MCU as possible. Use a high-frequency-response ceramic capacitor for C1. C2 is an optional bulk current bypass capacitor for use in applications that require the port pins to source high current levels.



NOTE: Component values shown represent typical applications.

Figure 1-4. Power Supply Bypassing

V_{SS} is also the ground for the port output buffers and the ground return for the serial clock in the serial peripheral interface module (SPI). (See [Section 18. Serial Peripheral Interface \(SPI\)](#).)

NOTE: V_{SS} must be grounded for proper MCU operation.

1.5.2 Oscillator Pins (OSC1 and OSC2)

The OSC1 and OSC2 pins are the connections for the on-chip oscillator circuit. (See [Section 8. Clock Generator Module \(CGM\)](#).)

1.5.3 External Reset Pin ($\overline{\text{RST}}$)

A logic 0 on the $\overline{\text{RST}}$ pin forces the MCU to a known startup state. $\overline{\text{RST}}$ is bidirectional, allowing a reset of the entire system. It is driven low when any internal reset source is asserted. (See [Section 9. System Integration Module \(SIM\)](#) for more information.)

1.5.4 External Interrupt Pin ($\overline{\text{IRQ}}$)

$\overline{\text{IRQ}}$ is an asynchronous external interrupt pin. (See [Section 14. External Interrupt \(IRQ\)](#).)

1.5.5 Analog Power Supply Pin ($V_{\text{DDA}}/V_{\text{DDAREF}}$)

$V_{\text{DDA}}/V_{\text{DDAREF}}$ is the power supply pin for the analog portion of the chip. These modules are the analog-to-digital converter (ADC) and the clock generator module (CGM). (See [Section 8. Clock Generator Module \(CGM\)](#) and [Section 19. Analog-to-Digital Converter \(ADC\)](#).)

1.5.6 ADC High Reference Pin (V_{REFH})

V_{REFH} is the high reference voltage for all analog-to-digital conversions. (See [Section 19. Analog-to-Digital Converter \(ADC\)](#).)

1.5.7 Analog Ground Pin (V_{SSA}/V_{REFL})

The V_{SSA}/V_{REFL} analog ground pin is used only for the ground connections for the analog sections of the circuit and should be decoupled as per the V_{SS} digital ground pin. The analog sections consist of a clock generator module (CGM) and an analog-to-digital converter (ADC). V_{SSA}/V_{REFL} is also the lower reference supply for the ADC. (See [Section 8. Clock Generator Module \(CGM\)](#) and [Section 19. Analog-to-Digital Converter \(ADC\)](#).)

1.5.8 External Filter Capacitor Pin (CGMXFC)

CGMXFC is an external filter capacitor connection for the CGM. (See [Section 8. Clock Generator Module \(CGM\)](#).)

1.5.9 Port A Input/Output (I/O) Pins (PTA7–PTA0)

PTA7–PTA0 are general-purpose bidirectional I/O port pins. (See [Section 15. Input/Output \(I/O\) Ports](#).)

1.5.10 Port B I/O Pins (PTB7/ATD7–PTB0/ATD0)

Port B is an 8-bit special function port that shares all eight pins with the analog-to-digital converter (ADC). (See [Section 19. Analog-to-Digital Converter \(ADC\)](#) and [Section 15. Input/Output \(I/O\) Ports](#).)

1.5.11 Port C I/O Pins (PTC4–PTC0)

PTC4–PTC3 and PTC1–PTC0 are general-purpose bidirectional I/O port pins. PTC2/MCLK is a special function port that shares its pin with the system clock. (See [Section 15. Input/Output \(I/O\) Ports](#).)

1.5.12 Port D I/O Pins (PTD6/ATD14/TCLKA–PTD0/ATD8)

Port D is a 7-bit special function port that shares all of its pins with the analog-to-digital converter module (ADC) and one of its pins with the timer interface module (TIM). (See [Section 16. Timer Interface \(TIM\)](#), [Section 19. Analog-to-Digital Converter \(ADC\)](#), and [Section 15. Input/Output \(I/O\) Ports](#).)

1.5.13 Port E I/O Pins (PTE7/SPSCK–PTE0/TxD)

Port E is an 8-bit special function port that shares two of its pins with the timer interface module (TIM), four of its pins with the serial peripheral interface module (SPI), and two of its pins with the serial communication interface module (SCI). (See [Section 17. Serial Communications Interface \(SCI\)](#), [Section 18. Serial Peripheral Interface \(SPI\)](#), [Section 16. Timer Interface \(TIM\)](#), and [Section 15. Input/Output \(I/O\) Ports](#).)

1.5.14 Port F I/O Pins (PTF3/TCH5–PTF0/TCH2)

Port F is a 4-bit special function port that shares all of its pins with the timer interface module (TIM). (See [Section 16. Timer Interface \(TIM\)](#) and [Section 15. Input/Output \(I/O\) Ports](#).)

1.5.15 J1850 Transmit Pin Digital (BDTxD)

BDTxD is a serial digital output data physical interface to the J1850. (See [Section 20. Byte Data Link Controller-Digital \(BDLC-D\)](#).)

1.5.16 J1850 Receive Pin Digital (BDRxD)

BDRxD is a serial digital input data physical interface from the J1850. (See [Section 20. Byte Data Link Controller-Digital \(BDLC-D\)](#).)

Table 1-1. External Pins Summary

Pin Name	Function	Driver Type	Hysteresis	Reset State
PTA7–PTA0	General-Purpose I/O	Dual State	No	Input, Hi-Z
PTB7/ATD7– PTB0/ATD0	General-Purpose I/O ADC Channel	Dual State	No	Input, Hi-Z
PTC4–PTC3	General-Purpose I/O	Dual State	No	Input, Hi-Z
PTC2/MCLK	General-Purpose I/O, Bus Clock Output	Dual State	No	Input, Hi-Z
PTC1–PTC0	General-Purpose I/O	Dual State	No	Input, Hi-Z
PTD6/ATD14/TCLK	General-Purpose I/O ADC Channel/Timer External Input Clock	Dual State	No	Input, Hi-Z
PTD5/ATD13– PTD0/ATD8	General-Purpose I/O ADC Channel	Dual State	No	Input, Hi-Z
PTE7/SPSCK	General-Purpose I/O SPI Clock	Dual State Open Drain	Yes	Input, Hi-Z
PTE6/MOSI	General-Purpose I/O SPI Data Path	Dual State Open Drain	Yes	Input, Hi-Z
PTE5/MISO	General-Purpose I/O SPI Data Path	Dual State Open Drain	Yes	Input, Hi-Z
PTE4/ \overline{SS}	General-Purpose I/O SPI Slave Select	Dual State	Yes	Input, Hi-Z
PTE3/TCH1	General-Purpose I/O Timer Channel 1	Dual State	Yes	Input, Hi-Z
PTE2/TCH0	General-Purpose I/O Timer Channel 0	Dual State	Yes	Input, Hi-Z
PTE1/RxD	General-Purpose I/O SCI Receive Data	Dual State	Yes	Input, Hi-Z
PTE0/TxD	General-Purpose I/O SCI Transmit Data	Dual State	Yes	Input, Hi-Z
PTF3/TCH5	General-Purpose I/O Timer Channel 5	Dual State	Yes	Input, Hi-Z
PTF2/TCH4	General-Purpose I/O Timer Channel 4	Dual State	Yes	Input, Hi-Z
PTF1/TCH3	General-Purpose I/O Timer Channel 3	Dual State	Yes	Input, Hi-Z

Table 1-1. External Pins Summary (Continued)

Pin Name	Function	Driver Type	Hysteresis	Reset State
PTF0/TCH2	General-Purpose I/O Timer Channel 2	Dual State	Yes	Input, Hi-Z
V _{DD}	Chip Power Supply	N/A	N/A	N/A
V _{SS}	Chip Ground	N/A	N/A	N/A
V _{DDA} /V _{DDAREF}	Analog Power Supply (CGM and ADC)	N/A	N/A	N/A
V _{SSA} /V _{REFL}	Analog Ground A/D Reference Voltage	N/A	N/A	N/A
V _{REFH}	A/D Reference Voltage	N/A	N/A	N/A
OSC1	External Clock In	N/A	N/A	Input, Hi-Z
OSC2	External Clock Out	N/A	N/A	Output
CGMXFC	PLL Loop Filter Cap	N/A	N/A	N/A
$\overline{\text{IRQ}}$	External Interrupt Request	N/A	N/A	Input, Hi-Z
$\overline{\text{RST}}$	Reset	N/A	N/A	Output Low
BDRxD	BDLC-D Serial Input	N/A	No	Input, Hi-Z
BDTxD	BDLC-D Serial Output	Output	No	Output Low

Table 1-2. Clock Source Summary

Module	Clock Source
ADC	CGMXCLK or Bus Clock
BDLC	CGMXCLK
COP	CGMXCLK
CPU	Bus Clock
EEPROM	Internal RC Oscillator or Bus Clock
SPI	Bus Clock/SPSCK
SCI	CGMXCLK
TIM	Bus Clock or PTD6/ATD14/TCLK
SIM	CGMOUT and CGMXCLK
IRQ	Bus Clock
BRK	Bus Clock
LVI	Bus Clock
CGM	OSC1 and OSC2

Section 2. Memory Map

2.1 Contents

2.2	Introduction	43
2.3	Input/Output (I/O) Section	46

2.2 Introduction

The CPU08 can address 64 Kbytes of memory space. The memory map, shown in **Figure 2-1**, includes:

- 32,256 bytes of user ROM
- 1024 bytes of RAM
- 512 bytes of EEPROM
- 36 bytes of user-defined vectors
- 224 bytes of monitor ROM

These definitions apply to the memory map representation of reserved and unimplemented locations.

- **Reserved** — Accessing a reserved location can have unpredictable effects on MCU operation.
- **Unimplemented** — Accessing an unimplemented location causes an illegal address reset if illegal address resets are enabled.

Memory Map

\$0000 ↓ \$003F	I/O REGISTERS — 58 BYTES (\$000A, \$000B, \$000E, \$000F, \$001B, AND \$0021 ARE RESERVED)
\$0040 ↓ \$004F	UNIMPLEMENTED — 16 BYTES
\$0050 ↓ \$044F	RAM — 1024 BYTES
\$0450 ↓ \$07FF	RESERVED — 2 BYTES
\$0800 ↓ \$09FF	UNIMPLEMENTED — 942 BYTES
\$0A00 ↓ \$7FFF	EEPROM — 512 BYTES
\$8000 ↓ \$FDFF	RESERVED — 2 BYTES
\$FE00	UNIMPLEMENTED — 30,206 BYTES
\$FE01	ROM — 32,256 BYTES
\$FE02	SIM BREAK STATUS REGISTER (SBSR)
\$FE03	SIM RESET STATUS REGISTER (SRSR)
\$FE04	RESERVED
\$FE05	SIM BREAK FLAG CONTROL REGISTER (SBFCR)
\$FE06	RESERVED
\$FE07	RESERVED

Figure 2-1. Memory Map

\$FE08	RESERVED
\$FE09	RESERVED
\$FE0A	RESERVED
\$FE0B	RESERVED
\$FE0C	BREAK ADDRESS REGISTER HIGH (BRKH)
\$FE0D	BREAK ADDRESS REGISTER LOW (BRKL)
\$FE0E	BREAK STATUS AND CONTROL REGISTER (BRKSCR)
\$FE0F	LVI STATUS REGISTER (LVISR)
\$FE10	RESERVED — 12 BYTES
↓	
\$FE1B	EEPROM NON-VOLATILE REGISTER (EENVR)
\$FE1C	
\$FE1D	EEPROM CONTROL REGISTER (EECR)
\$FE1E	RESERVED
\$FE1F	EEPROM ARRAY CONFIGURATION REGISTER (EEACR)
\$FE20	MONITOR ROM — 224 BYTES
↓	
\$FEFF	UNIMPLEMENTED — 220 BYTES
\$FF00	
↓	INTERRUPT AND RESET VECTORS — 36 BYTES
\$FFDB	
\$FFDC	
↓	
\$FFFF	

Figure 2-1. Memory Map (Continued)

2.3 Input/Output (I/O) Section

Addresses \$0000–\$003F, shown in [Figure 2-2](#), contain most of the control, status, and data registers. Additional I/O registers have these addresses:

- \$FE00, SIM break status register, SBSR
- \$FE01, SIM reset status register, SRSR
- \$FE03, SIM break flag control register, SBFCR
- \$FE0C and \$FE0D, break address registers, BRKH and BRKL
- \$FE0E, break status and control register, BRKSCR
- \$FE0F, LVI status register, LVISR
- \$FE1C, EEPROM non-volatile register, EENVR
- \$FE1D, EEPROM control register, EECR
- \$FE1F, EEPROM array configuration register, EEACR
- \$FFFF, COP control register, COPCTL

[Table 2-1](#) is a list of vector locations.

Addr.	Register Name	Bit 7	6	5	4	3	2	1	Bit 0
\$0000	Port A Data Register (PTA) Read: Write:	PTA7	PTA6	PTA5	PTA4	PTA3	PTA2	PTA1	PTA0
\$0001	Port B Data Register (PTB) Read: Write:	PTB7	PTB6	PTB5	PTB4	PTB3	PTB2	PTB1	PTB0
\$0002	Port C Data Register (PTC) Read: Write:	0	0	0	PTC4	PTC3	PTC2	PTC1	PTC0
		R	R	R					
\$0003	Port D Data Register (PTD) Read: Write:	0	PTD6	PTD5	PTD4	PTD3	PTD2	PTD1	PTD0
		R							
\$0004	Data Direction Register A (DDRA) Read: Write:	DDRA7	DDRA6	DDRA5	DDRA4	DDRA3	DDRA2	DDRA1	DDRA0
\$0005	Data Direction Register B (DDRB) Read: Write:	DDRB7	DDRB6	DDRB5	DDRB4	DDRB3	DDRB2	DDRB1	DDRB0
\$0006	Data Direction Register C (DDRC) Read: Write:	MCLKEN	0	0	DDRC4	DDRC3	DDRC2	DDRC1	DDRC0
			R	R					
\$0007	Data Direction Register D (DDRD) Read: Write:	0	DDRD6	DDRD5	DDRD4	DDRD3	DDR2	DDRD1	DDRD0
		R							
\$0008	Port E Data Register (PTE) Read: Write:	PTE7	PTE6	PTE5	PTE4	PTE3	PTE2	PTE1	PTE0
\$0009	Port F Data Register (PTF) Read: Write:	0	0	0	0	PTF3	PTF2	PTF1	PTF0
		R	R	R	R				
\$000A	Reserved Read: Write:	R	R	R	R	R	R	R	R
\$000B	Reserved Read: Write:	R	R	R	R	R	R	R	R
\$000C	Data Direction Register E (DDRE) Read: Write:	DDRE7	DDRE6	DDRE5	DDRE4	DDRE3	DDRE2	DDRE1	DDRE0
\$000D	Data Direction Register F (DDRF) Read: Write:	0	0	0	0	DDRF3	DDRF2	DDRF1	DDRF0
		R	R	R	R				

R	= Reserved
---	------------

Figure 2-2. Control, Status, and Data Register (Sheet 1 of 6)

Memory Map

Addr.	Register Name	Bit 7	6	5	4	3	2	1	Bit 0
\$000E	Reserved	Read: R	R	R	R	R	R	R	R
\$000F	Reserved	Read: R	R	R	R	R	R	R	R
\$0010	SPI Control Register (SPCR)	Read: SPRIE	R	SPMSTR	CPOL	CPHA	SPWOM	SPE	SPTIE
\$0011	SPI Status and Control Register (SPSCR)	Read: SPRF	ERRIE	OVRF	MODF	SPTE	MODFEN	SPR1	SPR0
		Write: R		R	R	R			
\$0012	SPI Data Register (SPDR)	Read: R7	R6	R5	R4	R3	R2	R1	R0
		Write: T7	T6	T5	T4	T3	T2	T1	T0
\$0013	SCI Control Register 1 (SCC1)	Read: LOOPS	ENSCI	TXINV	M	WAKE	ILTY	PEN	PTY
\$0014	SCI Control Register 2 (SCC2)	Read: SCTIE	TCIE	SCRIE	ILIE	TE	RE	RWU	SBK
\$0015	SCI Control Register 3 (SCC3)	Read: R8	T8	R	R	ORIE	NEIE	FEIE	PEIE
		Write: R							
\$0016	SCI Status Register 1 (SCS1)	Read: SCTE	TC	SCRF	IDLE	OR	NF	FE	PE
		Write: R	R	R	R	R	R	R	R
\$0017	SCI Status Register 2 (SCS2)	Read: 0	0	0	0	0	0	BKF	RPF
		Write: R	R	R	R	R	R	R	R
\$0018	SCI Data Register (SCDR)	Read: R7	R6	R5	R4	R3	R2	R1	R0
		Write: T7	T6	T5	T4	T3	T2	T1	T0
\$0019	SCI Baud Rate Register (SCBR)	Read: 0	0	SCP1	SCP0	R	SCR2	SCR1	SCR0
		Write: R	R						
\$001A	IRQ Status and Control Register (ISCR)	Read: 0	0	0	0	IROF	0	IMASK	MODE1
		Write: R	R	R	R	R	ACK1		
\$001B	Reserved	Read: R	R	R	R	R	R	R	R
		Write: R	R	R	R	R	R	R	R

R

 = Reserved

Figure 2-2. Control, Status, and Data Register (Sheet 2 of 6)

Addr.	Register Name	Bit 7	6	5	4	3	2	1	Bit 0	
\$001C	PLL Control Register (PCTL)	Read:	PLLIE	PLLF	PLLON	BCS	1	1	1	1
		Write:		R			R	R	R	R
\$001D	PLL Bandwidth Control Register (PBWC)	Read:	AUTO	LOCK	ACQ	XLD	0	0	0	0
		Write:		R			R	R	R	R
\$001E	PLL Programming Register (PPG)	Read:	MUL7	MUL6	MUL5	MUL4	VRS7	VRS6	VRS5	VRS4
\$001F	Mask Option Register (MOR)	Read:	LVISTOP	ROMSEC	LVIRST	LVIPWR	SSREC	COPS	STOP	COPD
		Write:	R	R	R	R	R	R	R	R
\$0020	Timer Status and Control Register (TSC)	Read:	TOF	TOIE	TSTOP	0	0	PS2	PS1	PS0
		Write:	0			TRST	R			
\$0021	Reserved	Read:	R	R	R	R	R	R	R	R
		Write:								
\$0022	Timer Counter Register High (TCNTH)	Read:	Bit 15	14	13	12	11	10	9	Bit 8
		Write:	R	R	R	R	R	R	R	R
\$0023	Timer Counter Register Low (TCNTL)	Read:	Bit 7	6	5	4	3	2	1	Bit 0
		Write:	R	R	R	R	R	R	R	R
\$0024	Timer Modulo Register High (TMODH)	Read:	Bit 15	14	13	12	11	10	9	Bit 8
		Write:								
\$0025	Timer Modulo Register Low (TMODL)	Read:	Bit 7	6	5	4	3	2	1	Bit 0
		Write:								
\$0026	Timer Channel 0 Status and Control Register (TSC0)	Read:	CH0F	CH0IE	MS0B	MS0A	ELS0B	ELS0A	TOV0	CH0MAX
		Write:	0							
\$0027	Timer Channel 0 Register High (TCH0H)	Read:	Bit 15	14	13	12	11	10	9	Bit 8
		Write:								
\$0028	Timer Channel 0 Register Low (TCH0L)	Read:	Bit 7	6	5	4	3	2	1	Bit 0
		Write:								
\$0029	Timer Channel 1 Status and Control Register (TSC1)	Read:	CH1F	CH1IE	0	MS1A	ELS1B	ELS1A	TOV1	CH1MAX
		Write:	0		R					

R = Reserved

Figure 2-2. Control, Status, and Data Register (Sheet 3 of 6)

Memory Map

Addr.	Register Name	Bit 7	6	5	4	3	2	1	Bit 0
\$002A	Timer Channel 1 Register High (TCH1H)	Read: Bit 15 Write:	14	13	12	11	10	9	Bit 8
\$002B	Timer Channel 1 Register Low (TCH1L)	Read: Bit 7 Write:	6	5	4	3	2	1	Bit 0
\$002C	Timer Channel 2 Status and Control Register (TSC2)	Read: CH2F Write: 0	CH2IE	MS2B	MS2A	ELS2B	ELS2A	TOV2	CH2MAX
\$002D	Timer Channel 2 Register High (TCH2H)	Read: Bit 15 Write:	14	13	12	11	10	9	Bit 8
\$002E	Timer Channel 2 Register Low (TCH2L)	Read: Bit 7 Write:	6	5	4	3	2	1	Bit 0
\$002F	Timer Channel 3 Status and Control Register (TSC3)	Read: CH3F Write: 0	CH3IE	0 R	MS3A	ELS3B	ELS3A	TOV3	CH3MAX
\$0030	Timer Channel 3 Register High (TCH3H)	Read: Bit 15 Write:	14	13	12	11	10	9	Bit 8
\$0031	Timer Channel 3 Register Low (TCH3L)	Read: Bit 7 Write:	6	5	4	3	2	1	Bit 0
\$0032	Timer Channel 4 Status and Control Register (TSC4)	Read: CH4F Write: 0	CH4IE	MS4B	MS4A	ELS4B	ELS4A	TOV4	CH4MAX
\$0033	Timer Channel 4 Register High (TCH4H)	Read: Bit 15 Write:	14	13	12	11	10	9	Bit 8
\$0034	Timer Channel 4 Register Low (TCH4L)	Read: Bit 7 Write:	6	5	4	3	2	1	Bit 0
\$0035	Timer Channel 5 Status and Control Register (TSC5)	Read: CH5F Write: 0	CH5IE	0 R	MS5A	ELS5B	ELS5A	TOV5	CH5MAX
\$0036	Timer Channel 5 Register High (TCH5H)	Read: Bit 15 Write:	14	13	12	11	10	9	Bit 8
\$0037	Timer Channel 5 Register Low (TCH5L)	Read: Bit 7 Write:	6	5	4	3	2	1	Bit 0

R

 = Reserved

Figure 2-2. Control, Status, and Data Register (Sheet 4 of 6)

Addr.	Register Name	Bit 7	6	5	4	3	2	1	Bit 0	
\$0038	Analog-to-Digital Status and Control Register (ADSCR)	Read:	COCO	AIEN	ADCO	ADCH4	ADCH3	ADCH2	ADCH1	ADCH0
		Write:	R							
\$0039	Analog-to-Digital Data Register (ADR)	Read:	AD7	AD6	AD5	AD4	AD3	AD2	AD1	AD0
		Write:	R	R	R	R	R	R	R	R
\$003A	Analog-to-Digital Input Clock Register (ADICLK)	Read:	ADIV2	ADIV1	ADIV0	ADICLK	0	0	0	0
		Write:					R	R	R	R
\$003B	BDLC Analog and Roundtrip Delay Register (BARD)	Read:	ATE	RXPOL	0	0	BO3	BO2	BO1	BO0
		Write:			R	R				
\$003C	BDLC Control Register 1 (BCR1)	Read:	IMSG	CLKS	R1	R0	0	0	IE	WCM
		Write:					R	R		
\$003D	BDLC Control Register (BCR2)	Read:	ALOOP	DLOOP	RX4XE	NBFS	TEOD	TSIFR	TMIFR1	TMIFR0
\$003E	BDLC State Vector Register (BSVR)	Read:	0	0	I3	I2	I1	I0	0	0
		Write:	R	R	R	R	R	R	R	R
\$003F	BDLC Data Register (BDR)	Read:	BD7	BD6	BD5	BD4	BD3	BD2	BD1	BD0
\$FE00	SIM Break Status Register (SBSR)	Read:	R	R	R	R	R	R	SBSW	R
		Write:								
\$FE01	SIM Reset Status Register (SRSR)	Read:	POR	PIN	COP	ILOP	ILAD	0	LVI	0
		Write:	R	R	R	R	R	R	R	R
\$FE03	SIM Break Flag Control Register (SBFCR)	Read:	BCFE	R	R	R	R	R	R	R
		Write:								
\$FE07	Reserved	Read:	R	R	R	R	R	R	R	R
		Write:								
\$FE0C	Break Address Register High (BRKH)	Read:	Bit 15	14	13	12	11	10	9	Bit 8
		Write:								
\$FE0D	Break Address Register Low (BRKL)	Read:	Bit 7	6	5	4	3	2	1	Bit 0
		Write:								

R = Reserved

Figure 2-2. Control, Status, and Data Register (Sheet 5 of 6)

Memory Map

Addr.	Register Name	Bit 7	6	5	4	3	2	1	Bit 0	
\$FE0E	Break Status and Control Register (BRKSCR)	Read:	BRKE	BRKA	0	0	0	0	0	
		Write:			R	R	R	R	R	
\$FE0F	LVI Status Register (LVISR)	Read:	LVIOUT	0	0	0	0	0	0	
		Write:	R	R	R	R	R	R	R	
\$FE1C	EEPROM Non-Volatile Register (EENVR)	Read:	EERA	R	R	EEPRTCT	EEBP3	EEBP2	EEBP1	
		Write:								
\$FE1D	EEPROM Control Register (EECR)	Read:	EEBCLK	0	EEOFF	EERAS1	EERAS0	EELAT	0	
		Write:		R						R
\$FE1E	Reserved	Read:	R	R	R	R	R	R	R	
		Write:								
\$FE1F	EEPROM Array Control Register (EEACR)	Read:	EERA	R	R	R	EEBP3	EEBP2	EEBP1	
		Write:	R	R	R	R	R	R	R	
\$FFFF	COP Control Register (COPCTL)	Read:	LOW BYTE OF RESET VECTOR							
		Write:	WRITING TO \$FFFF CLEARS COP COUNTER							
			R	= Reserved						

Figure 2-2. Control, Status, and Data Register (Sheet 6 of 6)

Section 3. Random-Access Memory (RAM)

3.1 Contents

3.2	Introduction	55
3.3	Functional Description	55

3.2 Introduction

This section describes the 1024 bytes of random-access memory (RAM).

3.3 Functional Description

Addresses \$0050–\$044F are RAM locations. The location of the stack RAM is programmable. The 16-bit stack pointer allows the stack to be anywhere in the 1024-byte memory space.

NOTE: *For correct operation, the stack pointer must point only to RAM locations.*

Within page zero are 176 bytes of RAM. Because the location of the stack RAM is programmable, all page zero RAM locations can be used for input/output (I/O) control and user data or code. When the stack pointer is moved from its reset location at \$00FF, direct addressing mode instructions can access all page zero RAM locations efficiently. Page zero RAM, therefore, provides ideal locations for frequently accessed global variables.

Before processing an interrupt, the CPU uses five bytes of the stack to save the contents of the CPU registers.

Random-Access Memory (RAM)

NOTE: *For M68HC05, M6805, and M146805 compatibility, the H register is not stacked.*

During a subroutine call, the CPU uses two bytes of the stack to store the return address. The stack pointer decrements during pushes and increments during pulls.

NOTE: *Be careful when using nested subroutines. The CPU could overwrite data in the RAM during a subroutine or during the interrupt stacking operation.*

Section 4. Read-Only Memory (ROM)

4.1 Contents

4.2	Introduction	57
4.3	Functional Description	57

4.2 Introduction

This section describes the 32,256 bytes of user read-only memory (ROM), 224 bytes of monitor ROM, and 36 bytes of user vectors.

4.3 Functional Description

The user ROM consists of 32,256 bytes of ROM from addresses \$8000–\$FDFF. The monitor ROM and vectors are located from \$FE20–\$FEFF. See [Figure 2-1. Memory Map](#).

Thirty-six of the user vectors, \$FFDC–\$FFFF, are dedicated to user-defined reset and interrupt vectors.

Security has been incorporated into the MC68HC08AS32 to prevent external viewing of the ROM contents. This feature ensures that customer-developed software remains proprietary.

Section 5. Mask Options

5.1 Contents

5.2	Introduction	59
5.3	Functional Description	59
5.4	Mask Option Register	60

5.2 Introduction

This section describes use of mask options by custom-masked ROMs and the mask option register in the MC68HC08AS32.

5.3 Functional Description

The mask options are hard-wired connections, specified at the same time as the ROM code, which allow the user to customize the MCU. The options control the enable or disable ability of the following functions:

- ROM security¹
- Resets caused by the LVI module
- Power to the LVI module
- Stop mode recovery time (32 CGMXCLK cycles or 4096 CGMXCLK cycles)
- COP timeout period (2^{18} – 2^4 CGMXCLK cycles or 2^{13} – 2^4 CGMXCLK cycles)
- STOP instruction
- Computer operating properly module (COP)

1. No security feature is absolutely secure. However, Motorola's strategy is to make reading or copying the ROM data difficult for unauthorized users.

The mask option register (\$001F) is used in the initialization of various options. For error free compatibility with the emulator OTP (M68HC908AT32CFN), a write to \$001F in the MC68HC08AS32 has no effect in MCU operation.

5.4 Mask Option Register

Address: \$001F

	Bit 7	6	5	4	3	2	1	Bit 0
Read:	LVISTOP	ROMSEC	LVIRST	LVIPWR	SSREC	COPRS	STOP	COPD
Write:	R	R	R	R	R	R	R	R
Reset:	Unaffected by Reset							

R = Reserved

Figure 5-1. Mask Option Register (MOR)

LVISTOP — LVI Stop Mode Enable Bit

LVISTOP enables the LVI module in stop mode. (See [Section 10. Low-Voltage Inhibit \(LVI\)](#).)

1 = LVI enabled during stop mode

0 = LVI disabled during stop mode

ROMSEC — ROM Security Bit

ROMSEC enables the ROM security feature. Setting the ROMSEC bit prevents reading of the ROM contents. Access to the ROM is denied to unauthorized users of customer-specified software.

1 = ROM security enabled

0 = ROM security disabled

LVIRST — LVI Reset Enable Bit

LVIRST enables the reset signal from the LVI module. (See [Section 10. Low-Voltage Inhibit \(LVI\)](#).)

1 = LVI module resets enabled

0 = LVI module resets disabled

LVIPWR — LVI Power Enable Bit

LVIPWR enables the LVI module. (See [Section 10. Low-Voltage Inhibit \(LVI\)](#).)

- 1 = LVI module power enabled
- 0 = LVI module power disabled

SSREC — Short Stop Recovery Bit

SSREC enables the CPU to exit stop mode with a delay of 32 CGMXCLK cycles instead of a 4096-CGMXCLK cycle delay. (See [16.6.2 Stop Mode](#).)

- 1 = Stop mode recovery after 32 CGMXCLK cycles
- 0 = Stop mode recovery after 4096 CGMXCLK cycles

NOTE: *If using an external crystal oscillator, do not set the SSREC bit.*

COPRS — COP Rate Select Timeout Bit

COPRS selects the short COP timeout period. (See [Section 13. Computer Operating Properly \(COP\)](#).)

- 1 = COP timeout period is $2^{13}-2^4$ CGMXCLK cycles.
- 0 = COP timeout period is $2^{18}-2^4$ CGMXCLK cycles.

STOP — STOP Instruction Enable Bit

STOP enables the STOP instruction.

- 1 = STOP instruction enabled
- 0 = STOP instruction treated as illegal opcode

COPD — COP Disable Bit

COPD disables the COP module. (See [Section 13. Computer Operating Properly \(COP\)](#).)

- 1 = COP module disabled
- 0 = COP module enabled

Section 6. Electrically Erasable Programmable ROM (EEPROM)

6.1 Contents

6.2	Introduction	63
6.3	Features	64
6.4	Functional Description	64
6.4.1	EEPROM Programming	64
6.4.2	EEPROM Erasing	66
6.4.3	EEPROM Block Protection	68
6.4.4	EEPROM Redundant Mode	69
6.4.5	EEPROM Configuration	69
6.4.6	EEPROM Control Register	70
6.4.7	EEPROM Non-volatile Register and EEPROM Array Configuration Register	72
6.4.8	Low-Power Modes	73
6.4.8.1	Wait Mode	73
6.4.8.2	Stop Mode	73

6.2 Introduction

This section describes the 512 bytes of electrically erasable programmable ROM (EEPROM).

6.3 Features

EEPROM features include:

- Byte, block, or bulk erasable
- Non-volatile redundant array option
- Non-volatile block protection option
- Non-volatile MCU configuration bits
- On-chip charge pump for programming/erasing

6.4 Functional Description

Addresses \$0800–\$09FF are EEPROM locations. The 512 bytes of EEPROM can be programmed or erased without an external voltage supply. The EEPROM has a lifetime of 10,000 write-erase cycles in the non-redundant mode. Reliability (data retention) is further extended if the redundancy option is selected. EEPROM cells are protected with a non-volatile, 128-byte, block protection option. These options are stored in the EEPROM non-volatile register (EENVR) and are loaded into the EEPROM array configuration register (EEACR) after reset or a read of EENVR. The EEPROM array also can be disabled to reduce current.

6.4.1 EEPROM Programming

The unprogrammed state is a logic 1. Programming changes the state to a logic 0. Only valid EEPROM bytes in the non-protected blocks and EENVR can be programmed. When the array is configured in the redundant mode, programming the first 256 bytes (\$0800–\$08FF) will also program the last 256 bytes (\$0900–\$09FF) with the same data. Programming the EEPROM in the non-redundant mode is recommended. Program the data to both locations before entering the redundant mode.

Follow this procedure to program a byte of EEPROM. Refer to [21.5 5.0-Volt DC Electrical Characteristics Control Timing](#) for timing values.

1. Clear EERAS1 and EERAS0 and set EELAT in the EECR (\$FE1D). Set value of t_{EEPGM} . (See Notes a and b.)
2. Write the desired data to any user EEPROM address.
3. Set the EEPGM bit. (See Note c.)
4. Wait for a time, t_{EEPGM} , to program the byte.
5. Clear the EEPGM bit.
6. Wait for the programming voltage time to fall, t_{EEFPV} .
7. Clear EELAT bits. (See Note d.)
8. Repeat steps 1 through 7 for more EEPROM programming.

NOTES:

- a. EERAS1 and EERAS0 must be cleared for programming. Otherwise, you will be in erase mode.
- b. Setting the EELAT bit configures the address and data buses to latch data for programming the array. Only data with a valid EEPROM address will be latched. If another consecutive valid EEPROM write occurs, this address and data will override the previous address and data. Any attempts to read other EEPROM data will read the latched data. If EELAT is set, other writes to the EECR will be allowed after a valid EEPROM write.
- c. The EEPGM bit cannot be set if the EELAT bit is cleared and a non-EEPROM write has occurred. This is to ensure proper programming sequence. When EEPGM is set, the on-board charge pump generates the program voltage and applies it to the user EEPROM array. When the EEPGM bit is cleared, the program voltage is removed from the array and the internal charge pump is turned off.
- d. Any attempt to clear both EEPGM and EELAT bits with a single instruction will clear only EEPGM to allow time for removal of high voltage from the EEPROM array.

6.4.2 EEPROM Erasing

The unprogrammed state is a logic 1. Only the valid EEPROM bytes in the non-protected blocks and EENVR can be erased. When the array is configured in the redundant mode, erasing the first 256 bytes (\$0800–\$08FF) also will erase the last 256 bytes (\$0900–\$09FF).

Follow this procedure to erase EEPROM. Refer to **21.5 5.0-Volt DC Electrical Characteristics Control Timing** for timing values.

1. Clear/set EERAS1 and EERAS0 to select byte/block/bulk erase, and set EELAT in EECTL. Set value of $t_{EEBYT}/t_{EEBLOCK}/t_{EEBULK}$. (See Note a.)
2. Write any data to the desired address for byte erase, to any address in the desired block for block erase, or to any array address for bulk erase.
3. Set the EEPGM bit. (See Note b.)
4. Wait for a time, t_{EEPGM} , to program the byte.
5. Clear EEPGM bit.
6. Wait for the erasing voltage time to fall, t_{EEFPV} .
7. Clear EELAT bits. (See Note c.)
8. Repeat steps 1 through 7 for more EEPROM byte/block erasing.

EEBPx bit must be cleared to erase EEPROM data in the corresponding block. If any EEBPx is set, the corresponding block cannot be erased and bulk erase mode does not apply.

NOTES:

- a. Setting the EELAT bit configures the address and data buses to latch data for erasing the array. Only valid EEPROM addresses with their data will be latched. If another consecutive valid EEPROM write occurs, this address and data will override the previous address and data. In block erase mode, any EEPROM address in the block can be used in step 2. All locations within this block will be erased. In bulk erase mode, any EEPROM address can be used to erase the whole EEPROM. EENVR is not affected with block or bulk

erase. Any attempts to read other EEPROM data will read the latched data. If EELAT is set, other writes to the EECR will be allowed after a valid EEPROM write.

- b. To ensure the proper erasing sequence, the EEPGM bit cannot be set if the EELAT bit is cleared and a non-EEPROM write has occurred. Once EEPGM is set, the type of erase mode cannot be modified. If EEPGM is set, the on-board charge pump generates the erase voltage and applies it to the user EEPROM array. When the EEPGM bit is cleared, the erase voltage is removed from the array and the internal charge pump is turned off.
- c. Any attempt to clear both EEPGM and EELAT bits with a single instruction will clear only EEPGM to allow time for removal of high voltage from the EEPROM array.

In general, all bits should be erased before being programmed. However, if program/erase cycling is of concern, the following procedure can be used to minimize bit cycling in each EEPROM byte. If any bit in a byte must be changed from a 0 to a 1, the byte needs to be erased before programming. [Table 6-1](#) summarizes the conditions for erasing before programming.

Table 6-1. EEPROM Program/Erase Cycling Reduction

EEPROM Data To Be Programmed	EEPROM Data Before Programming	Erase Before Programming?
0	0	No
0	1	No
1	0	Yes
1	1	No

6.4.3 EEPROM Block Protection

The 512 bytes of EEPROM are divided into four 128-byte blocks. Each of these blocks can be protected separately by the EEBPx bit. Any attempt to program or erase memory locations within the protected block will not allow the program/erase voltage to be applied to the array. [Table 6-2](#) shows the address ranges within the blocks.

Table 6-2. EEPROM Array Address Blocks

Block Number (EEBPx)	Address Range
EEBP0	\$0800–\$087F
EEBP1	\$0880–\$08FF
EEBP2	\$0900–\$097F
EEBP3	\$0980–\$09FF

If the EEBPx bit is set, that corresponding address block is protected. These bits are effective after a reset or a read to the EENVR register. The block protect configuration can be modified by erasing/programming the corresponding bits in the EENVR register and then reading the EENVR register.

In redundant mode, EEBP3 and EEBP2 will have no meaning.

6.4.4 EEPROM Redundant Mode

To extend the EEPROM data retention, the array can be placed in redundant mode. In this mode, the first 256 bytes of user EEPROM array are mapped to the last 256 bytes. Reading, programming and erasing of the first 256 EEPROM bytes (\$0800–\$08FF) will physically affect two bytes of EEPROM. Addressing the last 256 bytes will not be recognized. Block protection still applies but EEBP3 and EEBP2 are meaningless.

NOTE: *Before entering redundant mode, program the EEPROM in non-redundant mode.*

6.4.5 EEPROM Configuration

The EEPROM non-volatile register (EENVR) contains configurations concerning block protection and redundancy. EENVR is physically located on the bottom of the EEPROM array. The contents are non-volatile and are not modified by reset. On reset, this special register loads the EEPROM configuration into a corresponding volatile EEPROM array configuration register (EEACR). Thereafter, all reads to the EENVR will reload EEACR.

The EEPROM configuration can be changed by programming/erasing the EENVR like a normal EEPROM byte. The new array configuration will take effect with a system reset or a read of the EENVR.

Electrically Erasable Programmable ROM

6.4.6 EEPROM Control Register

This read/write register controls programming/erasing of the array.

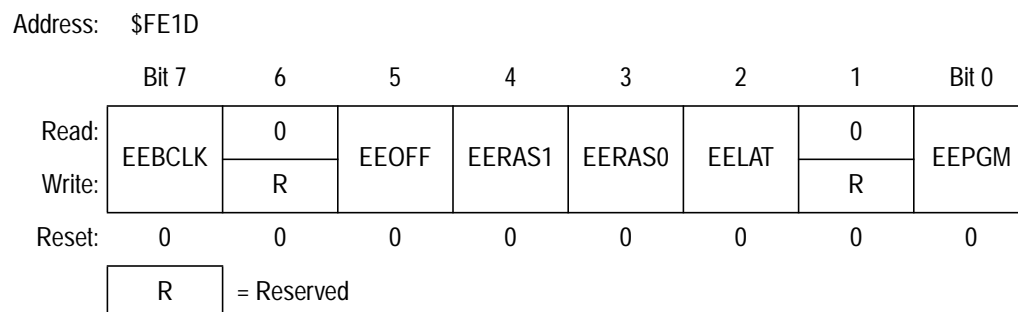


Figure 6-1. EEPROM Control Register (EECR)

EEBCLK — EEPROM Bus Clock Enable Bit

This read/write bit determines which clock will be used to drive the internal charge pump for programming/erasing. Reset clears this bit.

1 = Bus clock drives charge pump.

0 = Internal RC oscillator drives charge pump.

NOTE: Use the internal RC oscillator for applications in the 3- to 5-V range.

EEOFF — EEPROM Power Down Bit

This read/write bit disables the EEPROM module for lower power consumption. Any attempts to access the array will give unpredictable results. Reset clears this bit.

1 = Disable EEPROM array

0 = Enable EEPROM array

NOTE: The EEPROM requires a recovery time, t_{EEOFF} , to stabilize after clearing the EEOFF bit. Refer to [21.5 5.0-Volt DC Electrical Characteristics Control Timing](#) for timing values.

EERAS1–EERAS0 — EEPROM Erase Bits

These read/write bits set the programming/erasing modes. Reset clears these bits.

Table 6-3. EEPROM Program/Erase Mode Select

EEBPx	EERAS1	EERA0	Mode
0	0	0	Byte Program
0	0	1	Byte Erase
0	1	0	Block Erase
0	1	1	Bulk Erase
1	X	X	No Erase/Program

X = Don't Care

EELAT — EEPROM Latch Control Bit

This read/write bit latches the address and data buses for programming the EEPROM array. EELAT cannot be cleared if EEPGM is still set. Reset clears this bit.

- 1 = Buses configured for EEPROM programming
- 0 = Buses configured for normal read operation

EEPGM — EEPROM Program/Erase Enable Bit

This read/write bit enables the internal charge pump and applies the programming/erasing voltage to the EEPROM array if the EELAT bit is set and a write to a valid EEPROM location has occurred. Reset clears the EEPGM bit.

- 1 = EEPROM programming/erasing power switched on
- 0 = EEPROM programming/erasing power switched off

NOTE: *Writing logic 0s to both the EELAT and EEPGM bits with a single instruction will clear only EEPGM. This is to allow time for the removal of high voltage.*

6.4.7 EEPROM Non-volatile Register and EEPROM Array Configuration Register

These registers configure the EEPROM array blocks for programming purposes. EEACR loads its contents from the EENVR register at reset and upon any read of the EENVR register.

Address: \$FE1F

	Bit 7	6	5	4	3	2	1	Bit 0
Read:	EERA	R	R	R	EEBP3	EEBP2	EEBP1	EEBP0
Write:	R	R	R	R	R	R	R	R
Reset:	EENVR	R	R	R	EENVR	EENVR	EENVR	EENVR

R = Reserved

Figure 6-2. EEPROM Array Control Register (EEACR)

Address: \$FE1C

	Bit 7	6	5	4	3	2	1	Bit 0
Read:	EERA	R	R	R	EEBP3	EEBP2	EEBP1	EEBP0
Write:								
Reset:	PV	R	R	R	PV	PV	PV	PV

R = Reserved PV = Programmed Value or 1 in the Erased State

Figure 6-3. EEPROM Non-volatile Register (EENVR)

EERA — EEPROM Redundant Array Bit

This programmable/erasable/readable bit in EENVR and read-only bit in EEACR configures the array in redundant mode. Reset loads EERA from EENVR to EEACR.

- 1 = EEPROM array in redundant mode configuration
- 0 = EEPROM array in normal mode configuration

EEBP3–EEBP0 — EEPROM Block Protection Bits

These programmable/erasable/readable bits in EENVR and read-only bits in EEACR select blocks of EEPROM array to keep them from being programmed or erased. Reset loads EEBP[3:0] from EENVR to EEACR. See [6.4.3 EEPROM Block Protection](#).

- 1 = EEPROM array block protected
- 0 = EEPROM array block unprotected

6.4.8 Low-Power Modes

The following subsections describe the low-power modes.

6.4.8.1 Wait Mode

The WAIT instruction does not affect the EEPROM. It is possible to program the EEPROM while the MCU is in wait mode. However, if the EEPROM is inactive, power can be reduced by setting the EEOFF bit before executing the WAIT instruction.

6.4.8.2 Stop Mode

The STOP instruction reduces the EEPROM power consumption to a minimum. The STOP instruction should not be executed while the high voltage is turned on (EEPGM = 1).

If stop mode is entered while program/erase is in progress, high voltage will be turned off automatically. However, the EEPM bit will remain set. When stop mode is terminated and if EEPM is still set, the high voltage will be turned back on automatically. Program/erase time will need to be extended if program/erase is interrupted by entering stop mode.

The module requires a recovery time, t_{EESTOP} , to stabilize after leaving stop mode (see [21.5 5.0-Volt DC Electrical Characteristics Control Timing](#)). Attempts to access the array during the recovery time will result in unpredictable behavior.

Section 7. Central Processor Unit (CPU)

7.1 Contents

7.2	Introduction	75
7.3	Features	76
7.4	CPU Registers	77
7.4.1	Accumulator	77
7.4.2	Index Register	78
7.4.3	Stack Pointer	79
7.4.4	Program Counter	80
7.4.5	Condition Code Register	81
7.5	Arithmetic/Logic Unit (ALU)	83
7.6	CPU During Break Interrupts	83
7.7	Instruction Set Summary	84
7.8	Opcode Map	91

7.2 Introduction

This section describes the central processor unit (CPU). The M68HC08 CPU is an enhanced and fully object-code-compatible version of the M68HC05 CPU. The *CPU08 Reference Manual* (Motorola document number CPU08RM/AD) contains a description of the CPU instruction set, addressing modes, and architecture.

7.3 Features

Features of the CPU include:

- Fully upward, object-code compatibility with the M68HC05 Family
- 16-bit stack pointer with stack manipulation instructions
- 16-bit index register with X-register manipulation instructions
- 8-MHz CPU internal bus frequency
- 64-Kbyte program/data memory space
- 16 addressing modes
- Memory-to-memory data moves without using accumulator
- Fast 8-bit by 8-bit multiply and 16-bit by 8-bit divide instructions
- Enhanced binary coded decimal (BCD) data handling
- Modular architecture with expandable internal bus definition for extension of addressing range beyond 64 Kbytes
- Low-power stop mode and wait mode

7.4 CPU Registers

Figure 7-1 shows the five CPU registers. CPU registers are not part of the memory map.

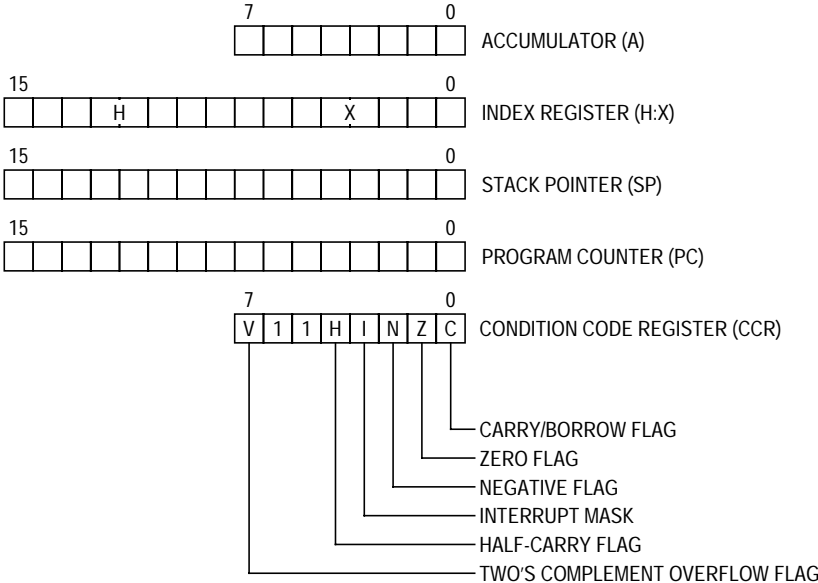


Figure 7-1. CPU Registers

7.4.1 Accumulator

The accumulator is a general-purpose 8-bit register. The CPU uses the accumulator to hold operands and the results of arithmetic/logic operations.



Figure 7-2. Accumulator (A)

7.4.2 Index Register

The 16-bit index register allows indexed addressing of a 64-Kbyte memory space. H is the upper byte of the index register, and X is the lower byte. H:X is the concatenated 16-bit index register.

In the indexed addressing modes, the CPU uses the contents of the index register to determine the conditional address of the operand.

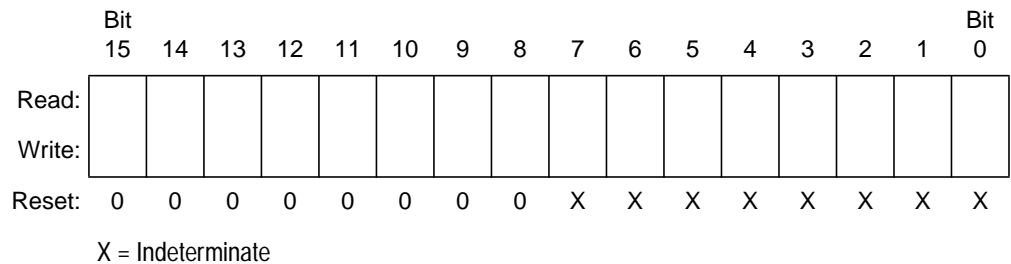


Figure 7-3. Index Register (H:X)

The index register can serve also as a temporary data storage location.

7.4.3 Stack Pointer

The stack pointer is a 16-bit register that contains the address of the next location on the stack. During a reset, the stack pointer is preset to \$00FF. The reset stack pointer (RSP) instruction sets the least significant byte to \$FF and does not affect the most significant byte. The stack pointer decrements as data is pushed onto the stack and increments as data is pulled from the stack.

In the stack pointer 8-bit offset and 16-bit offset addressing modes, the stack pointer can function as an index register to access data on the stack. The CPU uses the contents of the stack pointer to determine the conditional address of the operand.

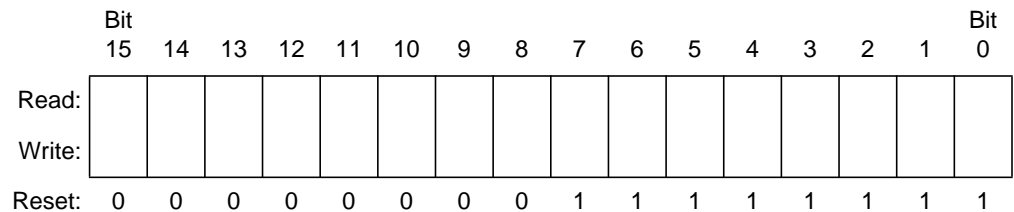


Figure 7-4. Stack Pointer (SP)

NOTE: *The location of the stack is arbitrary and may be relocated anywhere in RAM. Moving the SP out of page zero (\$0000 to \$00FF) frees direct address (page zero) space. For correct operation, the stack pointer must point only to RAM locations.*

7.4.4 Program Counter

The program counter is a 16-bit register that contains the address of the next instruction or operand to be fetched.

Normally, the program counter automatically increments to the next sequential memory location every time an instruction or operand is fetched. Jump, branch, and interrupt operations load the program counter with an address other than that of the next sequential location.

During reset, the program counter is loaded with the reset vector address located at \$FFFE and \$FFFF. The vector address is the address of the first instruction to be executed after exiting the reset state.

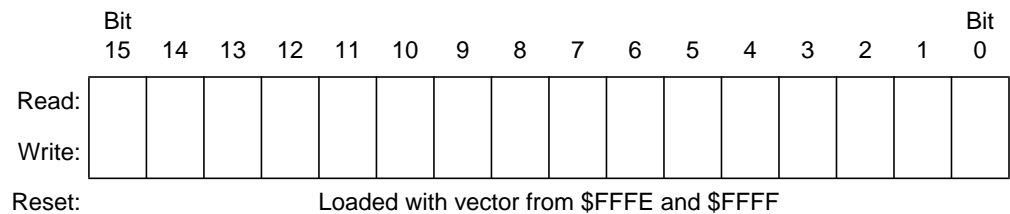


Figure 7-5. Program Counter (PC)

7.4.5 Condition Code Register

The 8-bit condition code register contains the interrupt mask and five flags that indicate the results of the instruction just executed. Bits 6 and 5 are set permanently to logic 1. The following paragraphs describe the functions of the condition code register.

	Bit 7	6	5	4	3	2	1	Bit 0
Read:	V	1	1	H	I	N	Z	C
Write:								
Reset:	X	1	1	X	1	X	X	X

X = Indeterminate

Figure 7-6. Condition Code Register (CCR)

V — Overflow Flag Bit

The CPU sets the overflow flag when a two's complement overflow occurs. The signed branch instructions BGT, BGE, BLE, and BLT use the overflow flag.

1 = Overflow

0 = No overflow

H — Half-Carry Flag Bit

The CPU sets the half-carry flag when a carry occurs between accumulator bits 3 and 4 during an ADD or ADC operation. The half-carry flag is required for binary coded decimal (BCD) arithmetic operations. The DAA instruction uses the states of the H and C flags to determine the appropriate correction factor.

1 = Carry between bits 3 and 4

0 = No carry between bits 3 and 4

I — Interrupt Mask Bit

When the interrupt mask is set, all maskable CPU interrupts are disabled. CPU interrupts are enabled when the interrupt mask is cleared. When a CPU interrupt occurs, the interrupt mask is set automatically after the CPU registers are saved on the stack, but before the interrupt vector is fetched.

1 = Interrupts disabled

0 = Interrupts enabled

NOTE: *To maintain M68HC05 compatibility, the upper byte of the index register (H) is not stacked automatically. If the interrupt service routine modifies H, then the user must stack and unstack H using the PSHH and PULH instructions.*

After the I bit is cleared, the highest-priority interrupt request is serviced first.

A return-from-interrupt (RTI) instruction pulls the CPU registers from the stack and restores the interrupt mask from the stack. After any reset, the interrupt mask is set and can be cleared only by the clear interrupt mask software instruction (CLI).

N — Negative Flag Bit

The CPU sets the negative flag when an arithmetic operation, logic operation, or data manipulation produces a negative result, setting bit 7 of the result.

1 = Negative result

0 = Non-negative result

Z — Zero flag Bit

The CPU sets the zero flag when an arithmetic operation, logic operation, or data manipulation produces a result of \$00.

1 = Zero result

0 = Non-zero result

C — Carry/Borrow Flag Bit

The CPU sets the carry/borrow flag when an addition operation produces a carry out of bit 7 of the accumulator or when a subtraction operation requires a borrow. Some instructions — such as bit test and branch, shift, and rotate — also clear or set the carry/borrow flag.

1 = Carry out of bit 7

0 = No carry out of bit 7

7.5 Arithmetic/Logic Unit (ALU)

The ALU performs the arithmetic and logic operations defined by the instruction set.

Refer to the *CPU08 Reference Manual* (Motorola document number CPU08RM/AD) for a description of the instructions and addressing modes and more detail about CPU architecture.

7.6 CPU During Break Interrupts

If the break module is enabled, a break interrupt causes the CPU to execute the software interrupt instruction (SWI) at the completion of the current CPU instruction. See [Section 11. Break Module \(Break\)](#). The program counter vectors to \$FFFC–\$FFFD (\$FEFC–\$FEFD in monitor mode).

A return-from-interrupt instruction (RTI) in the break routine ends the break interrupt and returns the MCU to normal operation if the break interrupt has been deasserted.

7.7 Instruction Set Summary

Table 7-1 provides a summary of the M68HC08 instruction set.

Table 7-1. Instruction Set Summary (Sheet 1 of 8)

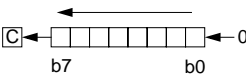
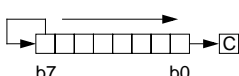
Source Form	Operation	Description	Effect on CCR						Address Mode	Opcode	Operand	Cycles
			V	H	I	N	Z	C				
ADC #opr ADC opr ADC opr,X ADC opr,X ADC ,X ADC opr,SP ADC opr,SP	Add with Carry	$A \leftarrow (A) + (M) + (C)$	↑	↑	-	↑	↑	↑	IMM DIR EXT IX2 IX1 IX SP1 SP2	A9 B9 C9 D9 E9 F9 9EE9 9ED9	ii dd hh ll ee ff ff F9 ff ee ff	2 3 4 4 3 2 4 5
ADD #opr ADD opr ADD opr ADD opr,X ADD opr,X ADD ,X ADD opr,SP ADD opr,SP	Add without Carry	$A \leftarrow (A) + (M)$	↑	↑	-	↑	↑	↑	IMM DIR EXT IX2 IX1 IX SP1 SP2	AB BB CB DB EB FB 9EEB 9EDB	ii dd hh ll ee ff ff FB ff ee ff	2 3 4 4 3 2 4 5
AIS #opr	Add Immediate Value (Signed) to SP	$SP \leftarrow (SP) + (16 \ll M)$	-	-	-	-	-	-	IMM	A7	ii	2
AIX #opr	Add Immediate Value (Signed) to H:X	$H:X \leftarrow (H:X) + (16 \ll M)$	-	-	-	-	-	-	IMM	AF	ii	2
AND #opr AND opr AND opr AND opr,X AND opr,X AND ,X AND opr,SP AND opr,SP	Logical AND	$A \leftarrow (A) \& (M)$	0	-	-	↑	↑	-	IMM DIR EXT IX2 IX1 IX SP1 SP2	A4 B4 C4 D4 E4 F4 9EE4 9ED4	ii dd hh ll ee ff ff F4 ff ee ff	2 3 4 4 3 2 4 5
ASL opr ASLA ASLX ASL opr,X ASL ,X ASL opr,SP	Arithmetic Shift Left (Same as LSL)		↑	-	-	↑	↑	↑	DIR INH INH IX1 IX SP1	38 48 58 68 78 9E68	dd ff ff	4 1 1 4 3 5
ASR opr ASRA ASRX ASR opr,X ASR opr,X ASR opr,SP	Arithmetic Shift Right		↑	-	-	↑	↑	↑	DIR INH INH IX1 IX SP1	37 47 57 67 77 9E67	dd ff ff ff	4 1 1 4 3 5
BCC rel	Branch if Carry Bit Clear	$PC \leftarrow (PC) + 2 + rel ? (C) = 0$	-	-	-	-	-	-	REL	24	rr	3

Table 7-1. Instruction Set Summary (Sheet 2 of 8)

Source Form	Operation	Description	Effect on CCR						Address Mode	Opcode	Operand	Cycles
			V	H	I	N	Z	C				
BCLR <i>n, opr</i>	Clear Bit <i>n</i> in <i>M</i>	$M_n \leftarrow 0$	-	-	-	-	-	-	DIR (b0) DIR (b1) DIR (b2) DIR (b3) DIR (b4) DIR (b5) DIR (b6) DIR (b7)	11 13 15 17 19 1B 1D 1F	dd dd dd dd dd dd dd dd	4 4 4 4 4 4 4 4
BCS <i>rel</i>	Branch if Carry Bit Set (Same as BLO)	$PC \leftarrow (PC) + 2 + rel ? (C) = 1$	-	-	-	-	-	-	REL	25	rr	3
BEQ <i>rel</i>	Branch if Equal	$PC \leftarrow (PC) + 2 + rel ? (Z) = 1$	-	-	-	-	-	-	REL	27	rr	3
BGE <i>opr</i>	Branch if Greater Than or Equal To (Signed Operands)	$PC \leftarrow (PC) + 2 + rel ? (N \oplus V) = 0$	-	-	-	-	-	-	REL	90	rr	3
BGT <i>opr</i>	Branch if Greater Than (Signed Operands)	$PC \leftarrow (PC) + 2 + rel ? (Z) (N \oplus V) = 0$	-	-	-	-	-	-	REL	92	rr	3
BHCC <i>rel</i>	Branch if Half Carry Bit Clear	$PC \leftarrow (PC) + 2 + rel ? (H) = 0$	-	-	-	-	-	-	REL	28	rr	3
BHCS <i>rel</i>	Branch if Half Carry Bit Set	$PC \leftarrow (PC) + 2 + rel ? (H) = 1$	-	-	-	-	-	-	REL	29	rr	3
BHI <i>rel</i>	Branch if Higher	$PC \leftarrow (PC) + 2 + rel ? (C) (Z) = 0$	-	-	-	-	-	-	REL	22	rr	3
BHS <i>rel</i>	Branch if Higher or Same (Same as BCC)	$PC \leftarrow (PC) + 2 + rel ? (C) = 0$	-	-	-	-	-	-	REL	24	rr	3
BIH <i>rel</i>	Branch if \overline{IRQ} Pin High	$PC \leftarrow (PC) + 2 + rel ? \overline{IRQ} = 1$	-	-	-	-	-	-	REL	2F	rr	3
BIL <i>rel</i>	Branch if \overline{IRQ} Pin Low	$PC \leftarrow (PC) + 2 + rel ? \overline{IRQ} = 0$	-	-	-	-	-	-	REL	2E	rr	3
BIT # <i>opr</i> BIT <i>opr</i> BIT <i>opr</i> BIT <i>opr,X</i> BIT <i>opr,X</i> BIT <i>X</i> BIT <i>opr,SP</i> BIT <i>opr,SP</i>	Bit Test	(A) & (M)	0	-	-	↑	↓	-	IMM DIR EXT IX2 IX1 IX SP1 SP2	A5 B5 C5 D5 E5 F5 9EE5 9ED5	ii dd hh ll ee ff ff ff ff ee ff	2 3 4 4 3 2 4 5
BLE <i>opr</i>	Branch if Less Than or Equal To (Signed Operands)	$PC \leftarrow (PC) + 2 + rel ? (Z) (N \oplus V) = 1$	-	-	-	-	-	-	REL	93	rr	3
BLO <i>rel</i>	Branch if Lower (Same as BCS)	$PC \leftarrow (PC) + 2 + rel ? (C) = 1$	-	-	-	-	-	-	REL	25	rr	3
BLS <i>rel</i>	Branch if Lower or Same	$PC \leftarrow (PC) + 2 + rel ? (C) (Z) = 1$	-	-	-	-	-	-	REL	23	rr	3
BLT <i>opr</i>	Branch if Less Than (Signed Operands)	$PC \leftarrow (PC) + 2 + rel ? (N \oplus V) = 1$	-	-	-	-	-	-	REL	91	rr	3
BMC <i>rel</i>	Branch if Interrupt Mask Clear	$PC \leftarrow (PC) + 2 + rel ? (I) = 0$	-	-	-	-	-	-	REL	2C	rr	3
BMI <i>rel</i>	Branch if Minus	$PC \leftarrow (PC) + 2 + rel ? (N) = 1$	-	-	-	-	-	-	REL	2B	rr	3
BMS <i>rel</i>	Branch if Interrupt Mask Set	$PC \leftarrow (PC) + 2 + rel ? (I) = 1$	-	-	-	-	-	-	REL	2D	rr	3

Table 7-1. Instruction Set Summary (Sheet 3 of 8)

Source Form	Operation	Description	Effect on CCR						Address Mode	Opcode	Operand	Cycles
			V	H	I	N	Z	C				
BNE <i>rel</i>	Branch if Not Equal	$PC \leftarrow (PC) + 2 + rel ? (Z) = 0$	-	-	-	-	-	-	REL	26	rr	3
BPL <i>rel</i>	Branch if Plus	$PC \leftarrow (PC) + 2 + rel ? (N) = 0$	-	-	-	-	-	-	REL	2A	rr	3
BRA <i>rel</i>	Branch Always	$PC \leftarrow (PC) + 2 + rel$	-	-	-	-	-	-	REL	20	rr	3
BRCLR <i>n,opr,rel</i>	Branch if Bit <i>n</i> in M Clear	$PC \leftarrow (PC) + 3 + rel ? (Mn) = 0$	-	-	-	-	-	↓	DIR (b0)	01	dd rr	5
									DIR (b1)	03	dd rr	5
									DIR (b2)	05	dd rr	5
									DIR (b3)	07	dd rr	5
									DIR (b4)	09	dd rr	5
									DIR (b5)	0B	dd rr	5
									DIR (b6)	0D	dd rr	5
									DIR (b7)	0F	dd rr	5
BRN <i>rel</i>	Branch Never	$PC \leftarrow (PC) + 2$	-	-	-	-	-	-	REL	21	rr	3
BRSET <i>n,opr,rel</i>	Branch if Bit <i>n</i> in M Set	$PC \leftarrow (PC) + 3 + rel ? (Mn) = 1$	-	-	-	-	-	↑	DIR (b0)	00	dd rr	5
									DIR (b1)	02	dd rr	5
									DIR (b2)	04	dd rr	5
									DIR (b3)	06	dd rr	5
									DIR (b4)	08	dd rr	5
									DIR (b5)	0A	dd rr	5
									DIR (b6)	0C	dd rr	5
									DIR (b7)	0E	dd rr	5
BSET <i>n,opr</i>	Set Bit <i>n</i> in M	$Mn \leftarrow 1$	-	-	-	-	-	-	DIR (b0)	10	dd	4
									DIR (b1)	12	dd	4
									DIR (b2)	14	dd	4
									DIR (b3)	16	dd	4
									DIR (b4)	18	dd	4
									DIR (b5)	1A	dd	4
									DIR (b6)	1C	dd	4
									DIR (b7)	1E	dd	4
BSR <i>rel</i>	Branch to Subroutine	$PC \leftarrow (PC) + 2$; push (PCL) $SP \leftarrow (SP) - 1$; push (PCH) $SP \leftarrow (SP) - 1$ $PC \leftarrow (PC) + rel$	-	-	-	-	-	-	REL	AD	rr	4
CBEQ <i>opr,rel</i> CBEQA # <i>opr,rel</i> CBEQX # <i>opr,rel</i> CBEQ <i>opr,X+,rel</i> CBEQ <i>X+,rel</i> CBEQ <i>opr,SP,rel</i>	Compare and Branch if Equal	$PC \leftarrow (PC) + 3 + rel ? (A) - (M) = \00 $PC \leftarrow (PC) + 3 + rel ? (A) - (M) = \00 $PC \leftarrow (PC) + 3 + rel ? (X) - (M) = \00 $PC \leftarrow (PC) + 3 + rel ? (A) - (M) = \00 $PC \leftarrow (PC) + 2 + rel ? (A) - (M) = \00 $PC \leftarrow (PC) + 4 + rel ? (A) - (M) = \00	-	-	-	-	-	-	DIR IMM IMM IX1+ IX+ SP1	31 41 51 61 71 9E61	dd rr ii rr ii rr ff rr rr ff rr	5 4 4 5 4 6
CLC	Clear Carry Bit	$C \leftarrow 0$	-	-	-	-	-	0	INH	98		1
CLI	Clear Interrupt Mask	$I \leftarrow 0$	-	-	0	-	-	-	INH	9A		2
CLR <i>opr</i> CLRA CLR X CLR H CLR <i>opr,X</i> CLR ,X CLR <i>opr,SP</i>	Clear	$M \leftarrow \$00$ $A \leftarrow \$00$ $X \leftarrow \$00$ $H \leftarrow \$00$ $M \leftarrow \$00$ $M \leftarrow \$00$ $M \leftarrow \$00$	0	-	-	0	1	-	DIR INH INH INH IX1 IX SP1	3F 4F 5F 8C 6F 7F 9E6F	dd ff ff	3 1 1 1 3 2 4

Table 7-1. Instruction Set Summary (Sheet 4 of 8)

Source Form	Operation	Description	Effect on CCR					Address Mode	Opcode	Operand	Cycles	
			V	H	I	N	Z					C
CMP #opr CMP opr CMP opr CMP opr,X CMP opr,X CMP ,X CMP opr,SP CMP opr,SP	Compare A with M	(A) – (M)	↓	–	–	↓	↓	↓	IMM DIR EXT IX2 IX1 IX SP1 SP2	A1 B1 C1 D1 E1 F1 9EE1 9ED1	ii dd hh ll ee ff ff F1 ff ff	2 3 4 4 3 2 4 5
COM opr COMA COMX COM opr,X COM ,X COM opr,SP	Complement (One's Complement)	$M \leftarrow (\overline{M}) = \$FF - (M)$ $A \leftarrow (\overline{A}) = \$FF - (M)$ $X \leftarrow (\overline{X}) = \$FF - (M)$ $M \leftarrow (\overline{M}) = \$FF - (M)$ $M \leftarrow (\overline{M}) = \$FF - (M)$ $M \leftarrow (\overline{M}) = \$FF - (M)$	0	–	–	↓	↓	1	DIR INH INH IX1 IX SP1	33 43 53 63 73 9E63	dd ff ff ff	4 1 1 4 3 5
CPHX #opr CPHX opr	Compare H:X with M	(H:X) – (M:M + 1)	↓	–	–	↓	↓	↓	IMM DIR	65 75	ii ii+1 dd	3 4
CPX #opr CPX opr CPX opr CPX ,X CPX opr,X CPX opr,X CPX opr,SP CPX opr,SP	Compare X with M	(X) – (M)	↓	–	–	↓	↓	↓	IMM DIR EXT IX2 IX1 IX SP1 SP2	A3 B3 C3 D3 E3 F3 9EE3 9ED3	ii dd hh ll ee ff ff ff ff ff	2 3 4 4 3 2 4 5
DAA	Decimal Adjust A	(A) ₁₀	U	–	–	↓	↓	↓	INH	72		2
DBNZ opr,rel DBNZA rel DBNZX rel DBNZ opr,X,rel DBNZ X,rel DBNZ opr,SP,rel	Decrement and Branch if Not Zero	$A \leftarrow (A) - 1$ or $M \leftarrow (M) - 1$ or $X \leftarrow (X) - 1$ $PC \leftarrow (PC) + 3 + rel ? (result) \neq 0$ $PC \leftarrow (PC) + 2 + rel ? (result) \neq 0$ $PC \leftarrow (PC) + 2 + rel ? (result) \neq 0$ $PC \leftarrow (PC) + 3 + rel ? (result) \neq 0$ $PC \leftarrow (PC) + 2 + rel ? (result) \neq 0$ $PC \leftarrow (PC) + 4 + rel ? (result) \neq 0$	–	–	–	–	–	–	DIR INH INH IX1 IX SP1	3B 4B 5B 6B 7B 9E6B	dd rr rr rr ff rr rr ff rr	5 3 3 5 4 6
DEC opr DECA DECX DEC opr,X DEC ,X DEC opr,SP	Decrement	$M \leftarrow (M) - 1$ $A \leftarrow (A) - 1$ $X \leftarrow (X) - 1$ $M \leftarrow (M) - 1$ $M \leftarrow (M) - 1$ $M \leftarrow (M) - 1$	↓	–	–	↓	↓	–	DIR INH INH IX1 IX SP1	3A 4A 5A 6A 7A 9E6A	dd ff ff	4 1 1 4 3 5
DIV	Divide	$A \leftarrow (H:A)/(X)$ H ← Remainder	–	–	–	–	↓	↓	INH	52		7
EOR #opr EOR opr EOR opr EOR opr,X EOR opr,X EOR ,X EOR opr,SP EOR opr,SP	Exclusive OR M with A	$A \leftarrow (A \oplus M)$	0	–	–	↓	↓	–	IMM DIR EXT IX2 IX1 IX SP1 SP2	A8 B8 C8 D8 E8 F8 9EE8 9ED8	ii dd hh ll ee ff ff ff ff ff	2 3 4 4 3 2 4 5

Table 7-1. Instruction Set Summary (Sheet 5 of 8)

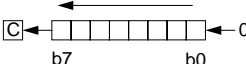
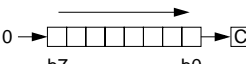
Source Form	Operation	Description	Effect on CCR					Address Mode	Opcode	Operand	Cycles	
			V	H	I	N	Z					C
INC <i>opr</i> INCA INCX INC <i>opr</i> ,X INC ,X INC <i>opr</i> ,SP	Increment	$M \leftarrow (M) + 1$ $A \leftarrow (A) + 1$ $X \leftarrow (X) + 1$ $M \leftarrow (M) + 1$ $M \leftarrow (M) + 1$ $M \leftarrow (M) + 1$	↑	-	-	↑	↑	-	DIR INH INH IX1 IX SP1	3C 4C 5C 6C 7C 9E6C	dd ff ff	4 1 1 4 3 5
JMP <i>opr</i> JMP <i>opr</i> JMP <i>opr</i> ,X JMP <i>opr</i> ,X JMP ,X	Jump	PC ← Jump Address	-	-	-	-	-	-	DIR EXT IX2 IX1 IX	BC CC DC EC FC	dd hh ll ee ff ff	2 3 4 3 2
JSR <i>opr</i> JSR <i>opr</i> JSR <i>opr</i> ,X JSR <i>opr</i> ,X JSR ,X	Jump to Subroutine	PC ← (PC) + <i>n</i> (<i>n</i> = 1, 2, or 3) Push (PCL); SP ← (SP) - 1 Push (PCH); SP ← (SP) - 1 PC ← Unconditional Address	-	-	-	-	-	-	DIR EXT IX2 IX1 IX	BD CD DD ED FD	dd hh ll ee ff ff	4 5 6 5 4
LDA # <i>opr</i> LDA <i>opr</i> LDA <i>opr</i> LDA <i>opr</i> ,X LDA <i>opr</i> ,X LDA ,X LDA <i>opr</i> ,SP LDA <i>opr</i> ,SP	Load A from M	A ← (M)	0	-	-	↑	↑	-	IMM DIR EXT IX2 IX1 IX SP1 SP2	A6 B6 C6 D6 E6 F6 9EE6 9ED6	ii dd hh ll ee ff ff ff ff ee ff	2 3 4 4 3 2 4 5
LDHX # <i>opr</i> LDHX <i>opr</i>	Load H:X from M	H:X ← (M:M + 1)	0	-	-	↑	↑	-	IMM DIR	45 55	ii jj dd	3 4
LDX # <i>opr</i> LDX <i>opr</i> LDX <i>opr</i> LDX <i>opr</i> ,X LDX <i>opr</i> ,X LDX ,X LDX <i>opr</i> ,SP LDX <i>opr</i> ,SP	Load X from M	X ← (M)	0	-	-	↑	↑	-	IMM DIR EXT IX2 IX1 IX SP1 SP2	AE BE CE DE EE FE 9EEE 9EDE	ii dd hh ll ee ff ff ff ff ee ff	2 3 4 4 3 2 4 5
LSL <i>opr</i> LSLA LSLX LSL <i>opr</i> ,X LSL ,X LSL <i>opr</i> ,SP	Logical Shift Left (Same as ASL)		↑	-	-	↑	↑	↑	DIR INH INH IX1 IX SP1	38 48 58 68 78 9E68	dd ff ff	4 1 1 4 3 5
LSR <i>opr</i> LSRA LSRX LSR <i>opr</i> ,X LSR ,X LSR <i>opr</i> ,SP	Logical Shift Right		↑	-	-	0	↑	↑	DIR INH INH IX1 IX SP1	34 44 54 64 74 9E64	dd ff ff	4 1 1 4 3 5
MOV <i>opr</i> , <i>opr</i> MOV <i>opr</i> ,X+ MOV # <i>opr</i> , <i>opr</i> MOV X+, <i>opr</i>	Move	(M) _{Destination} ← (M) _{Source} H:X ← (H:X) + 1 (IX+D, DIX+)	0	-	-	↑	↑	-	DD DIX+ IMD IX+D	4E 5E 6E 7E	dd dd dd ii dd dd	5 4 4 4
MUL	Unsigned multiply	X:A ← (X) × (A)	-	0	-	-	-	0	INH	42		5

Table 7-1. Instruction Set Summary (Sheet 6 of 8)

Source Form	Operation	Description	Effect on CCR					Address Mode	Opcode	Operand	Cycles	
			V	H	I	N	Z					C
NEG <i>opr</i> NEGA NEGX NEG <i>opr,X</i> NEG ,X NEG <i>opr,SP</i>	Negate (Two's Complement)	$M \leftarrow -(M) = \$00 - (M)$ $A \leftarrow -(A) = \$00 - (A)$ $X \leftarrow -(X) = \$00 - (X)$ $M \leftarrow -(M) = \$00 - (M)$ $M \leftarrow -(M) = \$00 - (M)$	↑	-	-	↑	↑	↑	DIR INH INH IX1 IX SP1	30 40 50 60 70 9E60	dd ff ff	4 1 1 4 3 5
NOP	No Operation	None	-	-	-	-	-	-	INH	9D		1
NSA	Nibble Swap A	$A \leftarrow (A[3:0]:A[7:4])$	-	-	-	-	-	-	INH	62		3
ORA # <i>opr</i> ORA <i>opr</i> ORA <i>opr</i> ORA <i>opr,X</i> ORA <i>opr,X</i> ORA ,X ORA <i>opr,SP</i> ORA <i>opr,SP</i>	Inclusive OR A and M	$A \leftarrow (A) (M)$	0	-	-	↑	↑	-	IMM DIR EXT IX2 IX1 IX SP1 SP2	AA BA CA DA EA FA 9EEA 9EDA	ii dd hh ll ee ff ff ff ff	2 3 4 4 3 2 4 5
PSHA	Push A onto Stack	Push (A); $SP \leftarrow (SP) - 1$	-	-	-	-	-	-	INH	87		2
PSHH	Push H onto Stack	Push (H); $SP \leftarrow (SP) - 1$	-	-	-	-	-	-	INH	8B		2
PSHX	Push X onto Stack	Push (X); $SP \leftarrow (SP) - 1$	-	-	-	-	-	-	INH	89		2
PULA	Pull A from Stack	$SP \leftarrow (SP) + 1$; Pull (A)	-	-	-	-	-	-	INH	86		2
PULH	Pull H from Stack	$SP \leftarrow (SP) + 1$; Pull (H)	-	-	-	-	-	-	INH	8A		2
PULX	Pull X from Stack	$SP \leftarrow (SP) + 1$; Pull (X)	-	-	-	-	-	-	INH	88		2
ROL <i>opr</i> ROLA ROLX ROL <i>opr,X</i> ROL ,X ROL <i>opr,SP</i>	Rotate Left through Carry		↑	-	-	↑	↑	↑	DIR INH INH IX1 IX SP1	39 49 59 69 79 9E69	dd ff ff	4 1 1 4 3 5
ROR <i>opr</i> RORA RORX ROR <i>opr,X</i> ROR ,X ROR <i>opr,SP</i>	Rotate Right through Carry		↑	-	-	↑	↑	↑	DIR INH INH IX1 IX SP1	36 46 56 66 76 9E66	dd ff ff	4 1 1 4 3 5
RSP	Reset Stack Pointer	$SP \leftarrow \$FF$	-	-	-	-	-	-	INH	9C		1
RTI	Return from Interrupt	$SP \leftarrow (SP) + 1$; Pull (CCR) $SP \leftarrow (SP) + 1$; Pull (A) $SP \leftarrow (SP) + 1$; Pull (X) $SP \leftarrow (SP) + 1$; Pull (PCH) $SP \leftarrow (SP) + 1$; Pull (PCL)	↑	↑	↑	↑	↑	↑	INH	80		7
RTS	Return from Subroutine	$SP \leftarrow SP + 1$; Pull (PCH) $SP \leftarrow SP + 1$; Pull (PCL)	-	-	-	-	-	-	INH	81		4

Table 7-1. Instruction Set Summary (Sheet 7 of 8)

Source Form	Operation	Description	Effect on CCR						Address Mode	Opcode	Operand	Cycles
			V	H	I	N	Z	C				
SBC #opr SBC opr SBC opr SBC opr,X SBC opr,X SBC ,X SBC opr,SP SBC opr,SP	Subtract with Carry	$A \leftarrow (A) - (M) - (C)$	↑	-	-	↑	↑	↑	IMM DIR EXT IX2 IX1 IX SP1 SP2	A2 B2 C2 D2 E2 F2 9EE2 9ED2	ii dd hh ll ee ff ff ff ff ff	2 3 4 4 3 2 4 5
SEC	Set Carry Bit	$C \leftarrow 1$	-	-	-	-	-	1	INH	99		1
SEI	Set Interrupt Mask	$I \leftarrow 1$	-	-	1	-	-	-	INH	9B		2
STA opr STA opr STA opr,X STA opr,X STA ,X STA opr,SP STA opr,SP	Store A in M	$M \leftarrow (A)$	0	-	-	↑	↑	-	DIR EXT IX2 IX1 IX SP1 SP2	B7 C7 D7 E7 F7 9EE7 9ED7	dd hh ll ee ff ff ff ff ff	3 4 4 3 2 4 5
STHX opr	Store H:X in M	$(M:M + 1) \leftarrow (H:X)$	0	-	-	↑	↑	-	DIR	35	dd	4
STOP	Enable \overline{IRQ} Pin; Stop Oscillator	$I \leftarrow 0$; Stop Oscillator	-	-	0	-	-	-	INH	8E		1
STX opr STX opr STX opr,X STX opr,X STX ,X STX opr,SP STX opr,SP	Store X in M	$M \leftarrow (X)$	0	-	-	↑	↑	-	DIR EXT IX2 IX1 IX SP1 SP2	BF CF DF EF FF 9EEF 9EDF	dd hh ll ee ff ff ff ff ff	3 4 4 3 2 4 5
SUB #opr SUB opr SUB opr SUB opr,X SUB opr,X SUB ,X SUB opr,SP SUB opr,SP	Subtract	$A \leftarrow (A) - (M)$	↑	-	-	↑	↑	↑	IMM DIR EXT IX2 IX1 IX SP1 SP2	A0 B0 C0 D0 E0 F0 9EE0 9ED0	ii dd hh ll ee ff ff ff ff ff	2 3 4 4 3 2 4 5
SWI	Software Interrupt	PC \leftarrow (PC) + 1; Push (PCL) SP \leftarrow (SP) - 1; Push (PCH) SP \leftarrow (SP) - 1; Push (X) SP \leftarrow (SP) - 1; Push (A) SP \leftarrow (SP) - 1; Push (CCR) SP \leftarrow (SP) - 1; I \leftarrow 1 PCH \leftarrow Interrupt Vector High Byte PCL \leftarrow Interrupt Vector Low Byte	-	-	1	-	-	-	INH	83		9
TAP	Transfer A to CCR	$CCR \leftarrow (A)$	↑	↑	↑	↑	↑	↑	INH	84		2
TAX	Transfer A to X	$X \leftarrow (A)$	-	-	-	-	-	-	INH	97		1
TPA	Transfer CCR to A	$A \leftarrow (CCR)$	-	-	-	-	-	-	INH	85		1

Table 7-1. Instruction Set Summary (Sheet 8 of 8)

Source Form	Operation	Description	Effect on CCR					Address Mode	Opcode	Operand	Cycles	
			V	H	I	N	Z					C
TST <i>opr</i> TSTA TSTX TST <i>opr,X</i> TST ,X TST <i>opr,SP</i>	Test for Negative or Zero	(A) – \$00 or (X) – \$00 or (M) – \$00	0	—	—	↑	↓	—	DIR INH INH IX1 IX SP1	3D 4D 5D 6D 7D 9E6D	dd ff ff	3 1 1 3 2 4
TSX	Transfer SP to H:X	H:X ← (SP) + 1	—	—	—	—	—	INH	95			2
TXA	Transfer X to A	A ← (X)	—	—	—	—	—	INH	9F			1
TXS	Transfer H:X to SP	(SP) ← (H:X) – 1	—	—	—	—	—	INH	94			2

- | | | | |
|-------|---|------------|---|
| A | Accumulator | <i>n</i> | Any bit |
| C | Carry/borrow bit | <i>opr</i> | Operand (one or two bytes) |
| CCR | Condition code register | PC | Program counter |
| dd | Direct address of operand | PCH | Program counter high byte |
| dd rr | Direct address of operand and relative offset of branch instruction | PCL | Program counter low byte |
| DD | Direct to direct addressing mode | REL | Relative addressing mode |
| DIR | Direct addressing mode | <i>rel</i> | Relative program counter offset byte |
| DIX+ | Direct to indexed with post increment addressing mode | rr | Relative program counter offset byte |
| ee ff | High and low bytes of offset in indexed, 16-bit offset addressing | SP1 | Stack pointer, 8-bit offset addressing mode |
| EXT | Extended addressing mode | SP2 | Stack pointer 16-bit offset addressing mode |
| ff | Offset byte in indexed, 8-bit offset addressing | SP | Stack pointer |
| H | Half-carry bit | U | Undefined |
| H | Index register high byte | V | Overflow bit |
| hh ll | High and low bytes of operand address in extended addressing | X | Index register low byte |
| I | Interrupt mask | Z | Zero bit |
| ii | Immediate operand byte | & | Logical AND |
| IMD | Immediate source to direct destination addressing mode | | Logical OR |
| IMM | Immediate addressing mode | ⊕ | Logical EXCLUSIVE OR |
| INH | Inherent addressing mode | () | Contents of |
| IX | Indexed, no offset addressing mode | -() | Negation (two's complement) |
| IX+ | Indexed, no offset, post increment addressing mode | # | Immediate value |
| IX+D | Indexed with post increment to direct addressing mode | « | Sign extend |
| IX1 | Indexed, 8-bit offset addressing mode | ← | Loaded with |
| IX1+ | Indexed, 8-bit offset, post increment addressing mode | ? | If |
| IX2 | Indexed, 16-bit offset addressing mode | : | Concatenated with |
| M | Memory location | ↑ | Set or cleared |
| N | Negative bit | — | Not affected |

7.8 Opcode Map

The opcode map is provided in [Table 7-2](#).

Table 7-2. Opcode Map

		Bit Manipulation		Branch	Read-Modify-Write					Control			Register/Memory							
		DIR	DIR	REL	DIR	INH	INH	IX1	SP1	IX	INH	INH	IMM	DIR	EXT	IX2	SP2	IX1	SP1	IX
MSB	LSB	0	1	2	3	4	5	6	9E6	7	8	9	A	B	C	D	9ED	E	9EE	F
0		BRSET0 3 DIR	BSET0 2 DIR	BRA 2 REL	NEG 2 DIR	NEGA 1 INH	NEGX 1 INH	NEG 2 IX1	NEG 3 SP1	NEG 1 IX	RTI 1 INH	BGE 2 REL	SUB 2 IMM	SUB 2 DIR	SUB 3 EXT	SUB 3 IX2	SUB 4 SP2	SUB 2 IX1	SUB 3 SP1	SUB 1 IX
1		BRCLR0 3 DIR	BCLR0 2 DIR	BRN 2 REL	CBEQ 3 DIR	CBEQA 3 IMM	CBEQX 3 IMM	CBEQ 3 IX1+	CBEQ 4 SP1	CBEQ 2 IX+	RTS 1 INH	BLT 2 REL	CMP 2 IMM	CMP 2 DIR	CMP 3 EXT	CMP 3 IX2	CMP 4 SP2	CMP 2 IX1	CMP 3 SP1	CMP 1 IX
2		BRSET1 3 DIR	BSET1 2 DIR	BHI 2 REL		MUL 1 INH	DIV 1 INH	NSA 1 INH		DAA 1 INH		BGT 2 REL	SBC 2 IMM	SBC 2 DIR	SBC 3 EXT	SBC 3 IX2	SBC 4 SP2	SBC 2 IX1	SBC 3 SP1	SBC 1 IX
3		BRCLR1 3 DIR	BCLR1 2 DIR	BLS 2 REL	COM 2 DIR	COMA 1 INH	COMX 1 INH	COM 2 IX1	COM 3 SP1	COM 1 IX	SWI 1 INH	BLE 2 REL	CPX 2 IMM	CPX 2 DIR	CPX 3 EXT	CPX 3 IX2	CPX 4 SP2	CPX 2 IX1	CPX 3 SP1	CPX 1 IX
4		BRSET2 3 DIR	BSET2 2 DIR	BCC 2 REL	LSR 2 DIR	LSRA 1 INH	LSRX 1 INH	LSR 2 IX1	LSR 3 SP1	LSR 1 IX	TAP 1 INH	TXS 1 INH	AND 2 IMM	AND 2 DIR	AND 3 EXT	AND 3 IX2	AND 4 SP2	AND 2 IX1	AND 3 SP1	AND 1 IX
5		BRCLR2 3 DIR	BCLR2 2 DIR	BCS 2 REL	STHX 2 DIR	LDHX 3 IMM	LDHX 2 DIR	CPHX 3 IMM		CPHX 2 DIR	TPA 1 INH	TSX 1 INH	BIT 2 IMM	BIT 2 DIR	BIT 3 EXT	BIT 3 IX2	BIT 4 SP2	BIT 2 IX1	BIT 3 SP1	BIT 1 IX
6		BRSET3 3 DIR	BSET3 2 DIR	BNE 2 REL	ROR 2 DIR	RORA 1 INH	RORX 1 INH	ROR 2 IX1	ROR 3 SP1	ROR 1 IX	PULA 1 INH		LDA 2 IMM	LDA 2 DIR	LDA 3 EXT	LDA 3 IX2	LDA 4 SP2	LDA 2 IX1	LDA 3 SP1	LDA 1 IX
7		BRCLR3 3 DIR	BCLR3 2 DIR	BEQ 2 REL	ASR 2 DIR	ASRA 1 INH	ASRX 1 INH	ASR 2 IX1	ASR 3 SP1	ASR 1 IX	PSHA 1 INH	TAX 1 INH	AIS 2 IMM	STA 2 DIR	STA 3 EXT	STA 3 IX2	STA 4 SP2	STA 2 IX1	STA 3 SP1	STA 1 IX
8		BRSET4 3 DIR	BSET4 2 DIR	BHCC 2 REL	LSL 2 DIR	LSLA 1 INH	LSLX 1 INH	LSL 2 IX1	LSL 3 SP1	LSL 1 IX	PULX 1 INH	CLC 1 INH	EOR 2 IMM	EOR 2 DIR	EOR 3 EXT	EOR 3 IX2	EOR 4 SP2	EOR 2 IX1	EOR 3 SP1	EOR 1 IX
9		BRCLR4 3 DIR	BCLR4 2 DIR	BHCS 2 REL	ROL 2 DIR	ROLA 1 INH	ROLX 1 INH	ROL 2 IX1	ROL 3 SP1	ROL 1 IX	PSHX 1 INH	SEC 1 INH	ADC 2 IMM	ADC 2 DIR	ADC 3 EXT	ADC 3 IX2	ADC 4 SP2	ADC 2 IX1	ADC 3 SP1	ADC 1 IX
A		BRSET5 3 DIR	BSET5 2 DIR	BPL 2 REL	DEC 2 DIR	DECA 1 INH	DECX 1 INH	DEC 2 IX1	DEC 3 SP1	DEC 1 IX	PULH 1 INH	CLI 1 INH	ORA 2 IMM	ORA 2 DIR	ORA 3 EXT	ORA 3 IX2	ORA 4 SP2	ORA 2 IX1	ORA 3 SP1	ORA 1 IX
B		BRCLR5 3 DIR	BCLR5 2 DIR	BMI 2 REL	DBNZ 3 DIR	DBNZA 2 INH	DBNZX 2 INH	DBNZ 3 IX1	DBNZ 4 SP1	DBNZ 2 IX	PSHH 1 INH	SEI 1 INH	ADD 2 IMM	ADD 2 DIR	ADD 3 EXT	ADD 3 IX2	ADD 4 SP2	ADD 2 IX1	ADD 3 SP1	ADD 1 IX
C		BRSET6 3 DIR	BSET6 2 DIR	BMC 2 REL	INC 2 DIR	INCA 1 INH	INCX 1 INH	INC 2 IX1	INC 3 SP1	INC 1 IX	CLRH 1 INH	RSP 1 INH		JMP 2 DIR	JMP 3 EXT	JMP 3 IX2		JMP 2 IX1		JMP 1 IX
D		BRCLR6 3 DIR	BCLR6 2 DIR	BMS 2 REL	TST 2 DIR	TSTA 1 INH	TSTX 1 INH	TST 2 IX1	TST 3 SP1	TST 1 IX		NOP 1 INH	BSR 2 REL	JSR 2 DIR	JSR 3 EXT	JSR 3 IX2		JSR 2 IX1		JSR 1 IX
E		BRSET7 3 DIR	BSET7 2 DIR	BIL 2 REL		MOV 3 DD	MOV 2 DIX+	MOV 3 IMD		MOV 2 IX+D	STOP 1 INH	*	LDX 2 IMM	LDX 2 DIR	LDX 3 EXT	LDX 3 IX2	LDX 4 SP2	LDX 2 IX1	LDX 3 SP1	LDX 1 IX
F		BRCLR7 3 DIR	BCLR7 2 DIR	BIH 2 REL	CLR 2 DIR	CLRA 1 INH	CLRX 1 INH	CLR 2 IX1	CLR 3 SP1	CLR 1 IX	WAIT 1 INH	TXA 1 INH	AIX 2 IMM	STX 2 DIR	STX 3 EXT	STX 3 IX2	STX 4 SP2	STX 2 IX1	STX 3 SP1	STX 1 IX

INH Inherent
 IMM Immediate
 DIR Direct
 EXT Extended
 DD Direct-Direct
 IX+D Indexed-Direct
 REL Relative
 IX Indexed, No Offset
 IX1 Indexed, 8-Bit Offset
 IX2 Indexed, 16-Bit Offset
 IMM Immediate-Direct
 DIX+ Direct-Indexed
 SP1 Stack Pointer, 8-Bit Offset
 SP2 Stack Pointer, 16-Bit Offset
 IX+ Indexed, No Offset with Post Increment
 IX1+ Indexed, 1-Byte Offset with Post Increment

*Pre-byte for stack pointer indexed instructions

MSB	0	High Byte of Opcode in Hexadecimal
LSB	0	Cycles Opcode Mnemonic Number of Bytes / Addressing Mode
	5	
	3	
	DIR	

Section 8. Clock Generator Module (CGM)

8.1 Contents

8.2	Introduction	94
8.3	Features	94
8.4	Functional Description	95
8.4.1	Crystal Oscillator Circuit	95
8.4.2	Phase-Locked Loop Circuit (PLL)	97
8.4.2.1	Circuits	97
8.4.2.2	Acquisition and Tracking Modes	99
8.4.2.3	Automatic and Manual PLL Bandwidth Modes	99
8.4.2.4	Programming the PLL	101
8.4.2.5	Special Programming Exceptions	103
8.4.3	Base Clock Selector Circuit	103
8.4.4	CGM External Connections	104
8.5	I/O Signals	105
8.5.1	Crystal Amplifier Input Pin (OSC1)	105
8.5.2	Crystal Amplifier Output Pin (OSC2)	105
8.5.3	External Filter Capacitor Pin (CGMXFC)	105
8.5.4	Analog Power Pin (V_{DDA}/V_{DDAREF})	106
8.5.5	Oscillator Enable Signal (SIMOSCEN)	106
8.5.6	Crystal Output Frequency Signal (CGMXCLK)	106
8.5.7	CGM Base Clock Output (CGMOUT)	106
8.5.8	CGM CPU Interrupt (CGMINT)	106
8.6	CGM Registers	107
8.6.1	PLL Control Register	108
8.6.2	PLL Bandwidth Control Register	110
8.6.3	PLL Programming Register	112
8.7	Interrupts	113

8.8	Special Modes	114
8.8.1	Wait Mode	114
8.8.2	Stop Mode	114
8.9	CGM During Break Interrupts	115
8.10	Acquisition/Lock Time Specifications	115
8.10.1	Acquisition/Lock Time Definitions	115
8.10.2	Parametric Influences on Reaction Time	117
8.10.3	Choosing a Filter Capacitor	118
8.10.4	Reaction Time Calculation	119

8.2 Introduction

This section describes the clock generator module (CGM). The CGM generates the crystal clock signal, CGMXCLK, which operates at the frequency of the crystal. The CGM also generates the base clock signal, CGMOUT, from which the system integration module (SIM) derives the system clocks. CGMOUT is based on either the crystal clock divided by two or the phase-locked loop (PLL) clock, CGMVCLK, divided by two. The PLL is a frequency generator designed for use with 1-MHz to 16-MHz crystals or ceramic resonators. The PLL can generate an 8-MHz bus frequency without using a 32-MHz crystal.

8.3 Features

Features of the CGM include:

- Phase-locked loop with output frequency in integer multiples of the crystal reference
- Programmable hardware voltage-controlled oscillator (VCO) for low-jitter operation
- Automatic bandwidth control mode for low-jitter operation
- Automatic frequency lock detector
- CPU interrupt on entry or exit from locked condition

8.4 Functional Description

The CGM consists of three major submodules:

- Crystal oscillator circuit — The crystal oscillator circuit generates the constant crystal frequency clock, CGMXCLK.
- Phase-locked loop (PLL) — The PLL generates the programmable VCO frequency clock, CGMVCLK.
- Base clock selector circuit — This software-controlled circuit selects either CGMXCLK divided by two or the VCO clock, CGMVCLK, divided by two as the base clock, CGMOUT. The SIM derives the system clocks from CGMOUT.

Figure 8-1 shows the structure of the CGM.

8.4.1 Crystal Oscillator Circuit

The crystal oscillator circuit consists of an inverting amplifier and an external crystal. The OSC1 pin is the input and the OSC2 pin is the output to the amplifier. The SIMOSCEN signal from the system integration module (SIM) enables the crystal oscillator circuit.

The CGMXCLK signal is the output of the crystal oscillator circuit and runs at a rate equal to the crystal frequency. CGMXCLK is then buffered to produce CGMRCLK, the PLL reference clock.

CGMXCLK can be used by other modules which require precise timing for operation. The duty cycle of CGMXCLK is not guaranteed to be 50% and depends on external factors, including the crystal and related external components.

An externally generated clock also can feed the OSC1 pin of the crystal oscillator circuit. Connect the external clock to the OSC1 pin and let the OSC2 pin float.

Clock Generator Module (CGM)

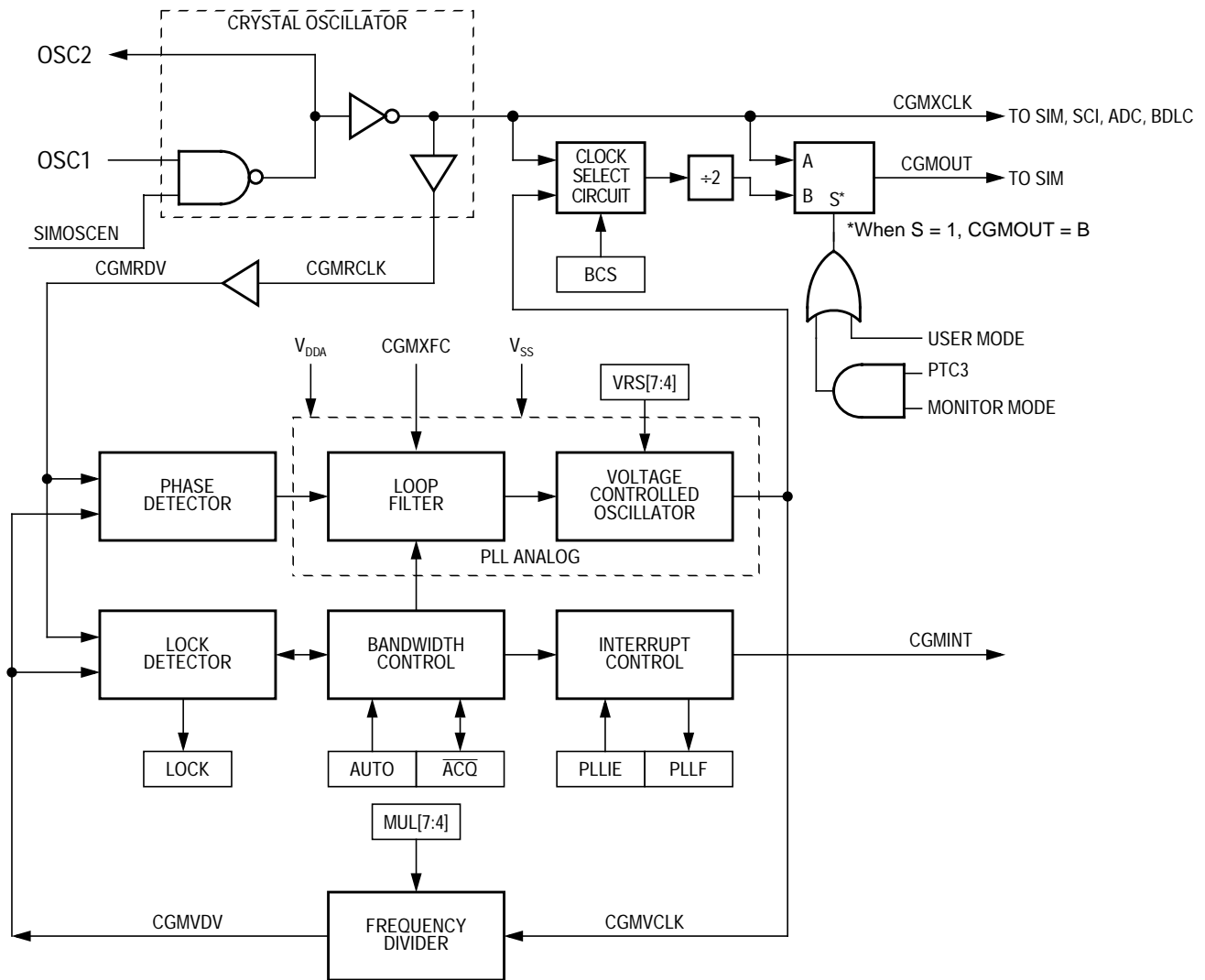


Figure 8-1. CGM Block Diagram

Table 8-1. CGM I/O Register Summary

Addr.	Register Name		Bit 7	6	5	4	3	2	1	Bit 0
\$001C	PLL Control Register (PCTL)	Read:	PLLIE	PLLF	PLLON	BCS	1	1	1	1
		Write:		R			R	R	R	
\$001D	PLL Bandwidth Control Register (PBWC)	Read:	AUTO	LOCK	\overline{ACQ}	XLD	0	0	0	0
		Write:		R			R	R	R	
\$001E	PLL Programming Register (PPG)	Read:	MUL7	MUL6	MUL5	MUL4	VRS7	VRS6	VRS5	VRS4
		Write:								

R

 = Reserved

8.4.2 Phase-Locked Loop Circuit (PLL)

The PLL is a frequency generator that can operate in either acquisition mode or tracking mode, depending on the accuracy of the output frequency. The PLL can change between acquisition and tracking modes either automatically or manually. While reading this section, refer to [21.9 CGM Operating Conditions](#) for operating frequencies.

8.4.2.1 Circuits

The PLL consists of these circuits:

- Voltage-controlled oscillator (VCO)
- Modulo VCO frequency divider
- Phase detector
- Loop filter
- Lock detector

The operating range of the VCO is programmable for a wide range of frequencies and for maximum immunity to external noise, including supply and CGMXFC noise. (For maximum immunity guidelines on

electromagnetic compatibility, refer to document numbers AN1050/D and AN1263/D available from your Motorola sales office.) The VCO frequency is bound to a range from roughly one-half to twice the center-of-range frequency, f_{VRS} . Modulating the voltage on the CGMXFC pin changes the frequency within this range. By design, f_{VRS} is equal to the nominal center-of-range frequency, f_{NOM} , 4.9152 MHz times a linear factor (L) or f_{NOM} .

CGMRCLK is the PLL reference clock, a buffered version of CGMXCLK. CGMRCLK runs at a crystal frequency, f_{RCLK} , and is fed to the PLL through a buffer. The buffer output is the final reference clock, CGMRDV, running at a frequency equal to f_{RCLK} .

The VCO's output clock, CGMVCLK, running at a frequency, f_{VCLK} , is fed back through a programmable modulo divider. The modulo divider reduces the VCO clock by a factor, N (see [8.4.2.4 Programming the PLL](#)). The divider's output is the VCO feedback clock, CGMVDV, running at a frequency equal to f_{VCLK}/N . See [21.9 CGM Operating Conditions](#) for more information.

The phase detector then compares the VCO feedback clock (CGMVDV) with the final reference clock (CGMRDV). A correction pulse is generated based on the phase difference between the two signals. The loop filter then slightly alters the dc voltage on the external capacitor connected to CGMXFC, based on the width and direction of the correction pulse. The filter can make fast or slow corrections, depending on its mode, described in [8.4.2.2 Acquisition and Tracking Modes](#). The value of the external capacitor and the reference frequency determines the speed of the corrections and the stability of the PLL.

The lock detector compares the frequencies of the VCO feedback clock, CGMVDV, and the final reference clock, CGMRDV. Therefore, the speed of the lock detector is directly proportional to the final reference frequency, f_{RD} . The circuit determines the mode of the PLL and the lock condition based on this comparison.

8.4.2.2 Acquisition and Tracking Modes

The PLL filter is manually or automatically configurable into one of two operating modes:

- Acquisition mode — In acquisition mode, the filter can make large (see [21.11 CGM Acquisition/Lock Time Information](#)) frequency corrections to the VCO. This mode is used at PLL startup or when the PLL has suffered a severe noise hit and the VCO frequency is far off the desired frequency. When in acquisition mode, the \overline{ACQ} bit is clear in the PLL bandwidth control register. (See [8.6.2 PLL Bandwidth Control Register](#).)
- Tracking mode — In tracking mode, the filter makes only small (see [21.11 CGM Acquisition/Lock Time Information](#)) corrections to the frequency of the VCO. PLL jitter is much lower in tracking mode, but the response to noise is also slower. The PLL enters tracking mode when the VCO frequency is nearly correct, such as when the PLL is selected as the base clock source. (See [8.4.3 Base Clock Selector Circuit](#).) The PLL is automatically in tracking mode when not in acquisition mode or when the \overline{ACQ} bit is set.

8.4.2.3 Automatic and Manual PLL Bandwidth Modes

The PLL can change the bandwidth or operational mode of the loop filter manually or automatically.

In automatic bandwidth control mode (AUTO = 1), the lock detector automatically switches between acquisition and tracking modes. Automatic bandwidth control mode also is used to determine when the VCO clock, CGMVCLK, is safe to use as the source for the base clock, CGMOUT. (See [8.6.2 PLL Bandwidth Control Register](#).) If PLL interrupts are enabled, the software can wait for a PLL interrupt request and then check the LOCK bit. If interrupts are disabled, software can poll the LOCK bit continuously (during PLL startup, usually) or at periodic intervals. In either case, when the LOCK bit is set, the VCO clock is safe to use as the source for the base clock. (See [8.4.3 Base Clock Selector Circuit](#).) If the VCO is selected as the source for the base clock and the LOCK bit is clear, the PLL has suffered a severe noise hit and the

software must take appropriate action, depending on the application. (See [8.7 Interrupts](#) for information and precautions on using interrupts.)

The following conditions apply when the PLL is in automatic bandwidth control mode:

- The \overline{ACQ} bit (see [8.6.2 PLL Bandwidth Control Register](#)) is a read-only indicator of the mode of the filter. (See [8.4.2.2 Acquisition and Tracking Modes](#).)
- The \overline{ACQ} bit is set when the VCO frequency is within a certain tolerance, Δ_{TRK} , and is cleared when the VCO frequency is out of a certain tolerance, Δ_{UNT} . (See [8.10 Acquisition/Lock Time Specifications](#) for more information.)
- The LOCK bit is a read-only indicator of the locked state of the PLL.
- The LOCK bit is set when the VCO frequency is within a certain tolerance, Δ_{LOCK} , and is cleared when the VCO frequency is out of a certain tolerance, Δ_{UNL} . (See [8.10 Acquisition/Lock Time Specifications](#) for more information.)
- CPU interrupts can occur if enabled ($PLLIE = 1$) when the PLL's lock condition changes, toggling the LOCK bit. (See [8.6.1 PLL Control Register](#).)

The PLL also can operate in manual mode ($AUTO = 0$). Manual mode is used by systems that do not require an indicator of the lock condition for proper operation. Such systems typically operate well below f_{BUSMAX} and require fast startup.

The following conditions apply when in manual mode:

- \overline{ACQ} is a writable control bit that controls the mode of the filter. Before turning on the PLL in manual mode, the \overline{ACQ} bit must be clear.
- Before entering tracking mode ($\overline{ACQ} = 1$), software must wait a given time, t_{ACQ} (see [8.10 Acquisition/Lock Time Specifications](#)), after turning on the PLL by setting PLLON in the PLL control register (PCTL).

- Software must wait a given time, t_{AL} , after entering tracking mode before selecting the PLL as the clock source to CGMOUT (BCS = 1).
- The LOCK bit is disabled.
- CPU interrupts from the CGM are disabled.

8.4.2.4 Programming the PLL

Use this procedure to program the PLL:

1. Choose the desired bus frequency, f_{BUSDES} .

$$\text{Example: } f_{BUSDES} = 8 \text{ MHz}$$

2. Calculate the desired VCO frequency, $f_{VCLKDES}$.

$$f_{VCLKDES} = 4 \times f_{BUSDES}$$

$$\text{Example: } f_{VCLKDES} = 4 \times 8 \text{ MHz} = 32 \text{ MHz}$$

3. Using a reference frequency, f_{RCLK} , equal to the crystal frequency, calculate the VCO frequency multiplier, N.

NOTE: *The round function means that the result is rounded to the nearest integer.*

$$N = \text{round}\left(\frac{f_{VCLKDES}}{f_{RCLK}}\right)$$

$$\text{Example: } N = \frac{32 \text{ MHz}}{4 \text{ MHz}} = 8$$

4. Calculate the VCO frequency, f_{VCLK} .

$$f_{VCLK} = N \times f_{RCLK}$$

$$\text{Example: } f_{VCLK} = 8 \times 4 \text{ MHz} = 32 \text{ MHz}$$

5. Calculate the bus frequency, f_{BUS} , and compare f_{BUS} with f_{BUSDES} . If the calculated f_{BUS} is not within the tolerance limits of your application, select another f_{BUSDES} or another f_{RCLK} .

$$f_{\text{BUS}} = \frac{f_{\text{VCLK}}}{4}$$

$$\text{Example: } f_{\text{BUS}} = \frac{32 \text{ MHz}}{4} = 8 \text{ MHz}$$

6. Using the value 4.9152 MHz for f_{NOM} , calculate the VCO linear range multiplier, L . The linear range multiplier controls the frequency range of the PLL.

$$L = \text{round}\left(\frac{f_{\text{VCLK}}}{f_{\text{NOM}}}\right)$$

$$\text{Example: } L = \frac{32 \text{ MHz}}{4.9152 \text{ MHz}} = 7$$

7. Calculate the VCO center-of-range frequency, f_{VRS} . The center-of-range frequency is the midpoint between the minimum and maximum frequencies attainable by the PLL.

$$f_{\text{VRS}} = L \times f_{\text{NOM}}$$

$$\text{Example: } f_{\text{VRS}} = 7 \times 4.9152 \text{ MHz} = 34.4 \text{ MHz}$$

NOTE: Exceeding the recommended maximum bus frequency or VCO frequency can crash the MCU.

For proper operation,

$$|f_{\text{VRS}} - f_{\text{VCLK}}| \leq \frac{f_{\text{NOM}}}{2}$$

8. Program the PLL registers accordingly:
 - a. In the upper four bits of the PLL programming register (PPG), program the binary equivalent of N.
 - b. In the lower four bits of the PLL programming register (PPG), program the binary equivalent of L.

8.4.2.5 Special Programming Exceptions

The programming method described in [8.4.2.4 Programming the PLL](#) does not account for two possible exceptions. A value of zero for N or L is meaningless when used in the equations given. To account for these exceptions:

- A zero value for N is interpreted exactly the same as a value of one.
- A zero value for L disables the PLL and prevents its selection as the source for the base clock. (See [8.4.3 Base Clock Selector Circuit](#).)

8.4.3 Base Clock Selector Circuit

This circuit is used to select either the crystal clock (CGMXCLK) or the VCO clock (CGMVCLK) as the source of the base clock (CGMOUT). The two input clocks go through a transition control circuit that waits up to three CGMXCLK cycles and three CGMVCLK cycles to change from one clock source to the other. During this time, CGMOUT is held in stasis. The output of the transition control circuit is then divided by two to correct the duty cycle. Therefore, the bus clock frequency, which is one-half of the base clock frequency, is one-fourth the frequency of the selected clock (CGMXCLK or CGMVCLK).

The BCS bit in the PLL control register (PCTL) selects which clock drives CGMOUT. The VCO clock cannot be selected as the base clock source if the PLL is not turned on. The PLL cannot be turned off if the VCO clock is selected. The PLL cannot be turned on or off simultaneously with the selection or deselection of the VCO clock. The VCO clock also cannot be selected as the base clock source if the factor L is programmed to a

zero. This value would set up a condition inconsistent with the operation of the PLL, so that the PLL would be disabled and the crystal clock would be forced as the source of the base clock.

8.4.4 CGM External Connections

In its typical configuration, the CGM requires seven external components. Five of these are for the crystal oscillator and two are for the PLL.

The crystal oscillator is normally connected in a Pierce oscillator configuration, as shown in **Figure 8-2**. **Figure 8-2** shows only the logical representation of the internal components and may not represent actual circuitry. The oscillator configuration uses five components:

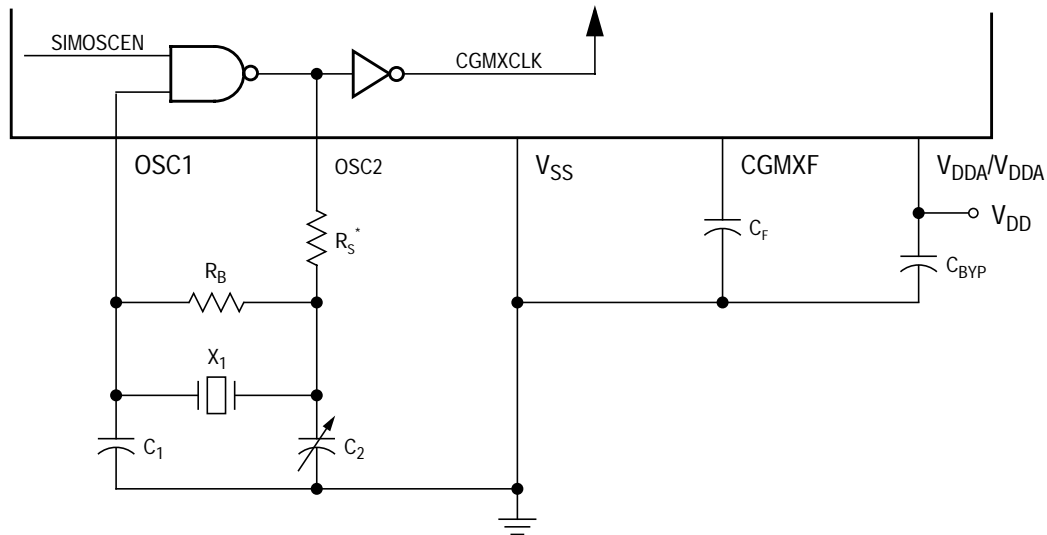
- Crystal, X_1
- Fixed capacitor, C_1
- Tuning capacitor, C_2 , can also be a fixed capacitor
- Feedback resistor, R_B
- Series resistor, R_S , optional

The series resistor (R_S) is included in the diagram to follow strict Pierce oscillator guidelines and may not be required for all ranges of operation, especially with high-frequency crystals. Refer to the crystal manufacturer's data for more information.

Figure 8-2 also shows the external components for the PLL:

- Bypass capacitor, C_{BYP}
- Filter capacitor, C_F

Routing should be done with great care to minimize signal cross talk and noise. (See **8.10 Acquisition/Lock Time Specifications** for routing information and more information on the filter capacitor's value and its effects on PLL performance.)



* R_S can be 0 (shorted) when used with higher-frequency crystals. Refer to manufacturer's data.

Figure 8-2. CGM External Connections

8.5 I/O Signals

The following paragraphs describe the CGM input/output (I/O) signals.

8.5.1 Crystal Amplifier Input Pin (OSC1)

The OSC1 pin is an input to the crystal oscillator amplifier.

8.5.2 Crystal Amplifier Output Pin (OSC2)

The OSC2 pin is the output of the crystal oscillator inverting amplifier.

8.5.3 External Filter Capacitor Pin (CGMXFC)

The CGMXFC pin is required by the loop filter to filter out phase corrections. A small external capacitor is connected to this pin.

NOTE: To prevent noise problems, C_F should be placed as close to the CGMXFC pin as possible, with minimum routing distances and no routing of other signals across the C_F connection.

8.5.4 Analog Power Pin (V_{DDA}/V_{DDAREF})

V_{DDA}/V_{DDAREF} is a power pin used by the analog portions of the PLL. Connect the V_{DDA}/V_{DDAREF} pin to the same voltage potential as the V_{DD} pin.

NOTE: Route V_{DDA}/V_{DDAREF} carefully for maximum noise immunity and place bypass capacitors as close as possible to the package.

8.5.5 Oscillator Enable Signal (SIMOSCEN)

The SIMOSCEN signal comes from the system integration module (SIM) and enables the oscillator and PLL.

8.5.6 Crystal Output Frequency Signal (CGMXCLK)

CGMXCLK is the crystal oscillator output signal. It runs at the full speed of the crystal, f_{XCLK} , and comes directly from the crystal oscillator circuit. **Figure 8-2** shows only the logical relation of CGMXCLK to OSC1 and OSC2 and may not represent the actual circuitry. The duty cycle of CGMXCLK is unknown and may depend on the crystal and other external factors. Also, the frequency and amplitude of CGMXCLK can be unstable at startup.

8.5.7 CGM Base Clock Output (CGMOUT)

CGMOUT is the clock output of the CGM. This signal goes to the SIM, which generates the MCU clocks. CGMOUT is a 50% duty cycle clock running at twice the bus frequency. CGMOUT is software programmable to be either the oscillator output, CGMXCLK, divided by two or the VCO clock, CGMVCLK, divided by two.

8.5.8 CGM CPU Interrupt (CGMINT)

CGMINT is the interrupt signal generated by the PLL lock detector.

8.6 CGM Registers

These registers control and monitor operation of the CGM:

- PLL control register (PCTL) (See [8.6.1 PLL Control Register.](#))
- PLL bandwidth control register (PBWC) (See [8.6.2 PLL Bandwidth Control Register.](#))
- PLL programming register (PPG) (See [8.6.3 PLL Programming Register.](#))

Table 8-2 is a summary of the CGM registers.

Table 8-2. CGM I/O Register Summary

Addr.	Register Name		Bit 7	6	5	4	3	2	1	Bit 0
\$001C	PLL Control Register (PCTL)	Read:	PLLIE	PLLF	PLLON	BCS	1	1	1	1
		Write:		R			R	R	R	
\$001D	PLL Bandwidth Control Register (PBWC)	Read:	AUTO	LOCK	\overline{ACQ}	XLD	0	0	0	0
		Write:		R			R	R	R	
\$001E	PLL Programming Register (PPG)	Read:	MUL7	MUL6	MUL5	MUL4	VRS7	VRS6	VRS5	VRS4
		Write:								

R

 = Reserved

NOTES:

1. When AUTO = 0, PLLIE is forced to logic 0 and is read-only.
2. When AUTO = 0, PLLF and LOCK read as logic 0.
3. When AUTO = 1, \overline{ACQ} is read-only.
4. When PLLON = 0 or VRS[7:4] = \$0, BCS is forced to logic 0 and is read-only.
5. When PLLON = 1, the PLL programming register is read-only.
6. When BCS = 1, PLLON is forced set and is read-only.

8.6.1 PLL Control Register

The PLL control register contains the interrupt enable and flag bits, the on/off switch, and the base clock selector bit.

Address: \$001C

	Bit 7	6	5	4	3	2	1	Bit 0
Read:	PLLIE	PLLIF	PLLON	BCS	1	1	1	1
Write:		R			R	R	R	R
Reset:	0	0	1	0	1	1	1	1

R = Reserved

Figure 8-3. PLL Control Register (PCTL)

PLLIE — PLL Interrupt Enable Bit

This read/write bit enables the PLL to generate an interrupt request when the LOCK bit toggles, setting the PLL flag, PLLIF. When the AUTO bit in the PLL bandwidth control register (PBWC) is clear, PLLIE cannot be written and reads as logic 0. Reset clears the PLLIE bit.

- 1 = PLL interrupts enabled
- 0 = PLL interrupts disabled

PLLIF — PLL Flag Bit

This read-only bit is set whenever the LOCK bit toggles. PLLIF generates an interrupt request if the PLLIE bit also is set. PLLIF always reads as logic 0 when the AUTO bit in the PLL bandwidth control register (PBWC) is clear. Clear the PLLIF bit by reading the PLL control register. Reset clears the PLLIF bit.

- 1 = Change in lock condition
- 0 = No change in lock condition

NOTE: Do not inadvertently clear the PLLIF bit. Any read or read-modify-write operation on the PLL control register clears the PLLIF bit.

PLLON — PLL On Bit

This read/write bit activates the PLL and enables the VCO clock, CGMVCLK. PLLON cannot be cleared if the VCO clock is driving the base clock, CGMOUT (BCS = 1). (See [8.4.3 Base Clock Selector Circuit](#).) Reset sets this bit so that the loop can stabilize as the MCU is powering up.

- 1 = PLL on
- 0 = PLL off

BCS — Base Clock Select Bit

This read/write bit selects either the crystal oscillator output, CGMXCLK, or the VCO clock, CGMVCLK, as the source of the CGM output, CGMOUT. CGMOUT frequency is one-half the frequency of the selected clock. BCS cannot be set while the PLLON bit is clear. After toggling BCS, it may take up to three CGMXCLK cycles and three CGMVCLK cycles to complete the transition from one source clock to the other. During the transition, CGMOUT is held in stasis. (See [8.4.3 Base Clock Selector Circuit](#).) Reset and the STOP instruction clear the BCS bit.

- 1 = CGMVCLK divided by two drives CGMOUT
- 0 = CGMXCLK divided by two drives CGMOUT

NOTE: *PLLON and BCS have built-in protection that prevents the base clock selector circuit from selecting the VCO clock as the source of the base clock if the PLL is off. Therefore, PLLON cannot be cleared when BCS is set, and BCS cannot be set when PLLON is clear. If the PLL is off (PLLON = 0), selecting CGMVCLK requires two writes to the PLL control register. (See [8.4.3 Base Clock Selector Circuit](#).)*

PCTL[3:0] — Unimplemented bits

These bits provide no function and always read as logic 1s.

8.6.2 PLL Bandwidth Control Register

The PLL bandwidth control register:

- Selects automatic or manual (software-controlled) bandwidth control mode
- Indicates when the PLL is locked
- In automatic bandwidth control mode, indicates when the PLL is in acquisition or tracking mode
- In manual operation, forces the PLL into acquisition or tracking mode

Address: \$001D

	Bit 7	6	5	4	3	2	1	Bit 0
Read:	AUTO	LOCK	\overline{ACQ}	XLD	0	0	0	0
Write:		R			R	R	R	R
Reset:	0	0	0	0	0	0	0	0

R = Reserved

Figure 8-4. PLL Bandwidth Control Register (PBWC)

AUTO — Automatic Bandwidth Control Bit

This read/write bit selects automatic or manual bandwidth control. When initializing the PLL for manual operation (AUTO = 0), clear the \overline{ACQ} bit before turning on the PLL. Reset clears the AUTO bit.

1 = Automatic bandwidth control

0 = Manual bandwidth control

LOCK — Lock Indicator Bit

When the AUTO bit is set, LOCK is a read-only bit that becomes set when the VCO clock, CGMVCLK, is locked (running at the programmed frequency). When the AUTO bit is clear, LOCK reads as logic 0 and has no meaning. Reset clears the LOCK bit.

1 = VCO frequency correct or locked

0 = VCO frequency incorrect or unlocked

\overline{ACQ} — Acquisition Mode Bit

When the AUTO bit is set, \overline{ACQ} is a read-only bit that indicates whether the PLL is in acquisition mode or tracking mode. When the AUTO bit is clear, \overline{ACQ} is a read/write bit that controls whether the PLL is in acquisition mode or tracking mode.

In automatic bandwidth control mode (AUTO = 1), the last-written value from manual operation is stored in a temporary location and is recovered when manual operation resumes. Reset clears this bit, enabling acquisition mode.

- 1 = Tracking mode
- 0 = Acquisition mode

XLD — Crystal Loss Detect Bit

When the VCO output (CGMVCLK) is driving CGMOUT, this read/write bit can indicate whether the crystal reference frequency is active or not. To check the status of the crystal reference, follow these steps:

1. Write a logic 1 to XLD.
2. Wait $N \times 4$ cycles. (N is the VCO frequency multiplier.)
3. Read XLD.

- 1 = Crystal reference not active
- 0 = Crystal reference active

The crystal loss detect function works only when the BCS bit is set, selecting CGMVCLK to drive CGMOUT. When BCS is clear, XLD always reads as logic 0.

PBWC[3:0] — Reserved for Test

These bits enable test functions not available in user mode. To ensure software portability from development systems to user applications, software should write 0s to PBWC[3:0] whenever writing to PBWC.

8.6.3 PLL Programming Register

The PLL programming register contains the programming information for the modulo feedback divider and the programming information for the hardware configuration of the VCO.

Address: \$001E

	Bit 7	6	5	4	3	2	1	Bit 0
Read:	MUL7	MUL6	MUL5	MUL4	VRS7	VRS6	VRS5	VRS4
Write:								
Reset:	0	1	1	0	0	1	1	0

Figure 8-5. PLL Programming Register (PPG)

MUL[7:4] — Multiplier Select Bits

These read/write bits control the modulo feedback divider that selects the VCO frequency multiplier, N. (See [8.4.2 Phase-Locked Loop Circuit \(PLL\)](#).) A value of \$0 in the multiplier select bits configures the modulo feedback divider the same as a value of \$1. Reset initializes these bits to \$6 to give a default multiply value of 6.

Table 8-3. VCO Frequency Multiplier (N) Selection

MUL7:MUL6:MUL5:MUL4	VCO Frequency Multiplier (N)
0000	1
0001	1
0010	2
0011	3
↓	↓
1101	13
1110	14
1111	15

NOTE: *The multiplier select bits have built-in protection that prevents them from being written when the PLL is on (PLLON = 1).*

VRS[7:4] — VCO Range Select Bits

These read/write bits control the hardware center-of-range linear multiplier, L , which controls the hardware center-of-range frequency, f_{VRS} , (see [8.4.2 Phase-Locked Loop Circuit \(PLL\)](#)). VRS[7:4] cannot be written when the PLLON bit in the PLL control register (PCTL) is set. (See [8.4.2.5 Special Programming Exceptions](#).) A value of \$0 in the VCO range selects bits, disables the PLL, and clears the BCS bit in the PCTL. (See [8.4.3 Base Clock Selector Circuit](#) and [8.4.2.5 Special Programming Exceptions](#) for more information.) Reset initializes the bits to \$6 to give a default range multiply value of 6.

NOTE: *The VCO range select bits have built-in protection that prevents them from being written when the PLL is on (PLLON = 1) and prevents selection of the VCO clock as the source of the base clock (BCS = 1) if the VCO range select bits are all clear.*

The VCO range select bits must be programmed correctly. Incorrect programming can result in failure of the PLL to achieve lock.

8.7 Interrupts

When the AUTO bit is set in the PLL bandwidth control register (PBWC), the PLL can generate a CPU interrupt request every time the LOCK bit changes state. The PLLIE bit in the PLL control register (PCTL) enables CPU interrupts from the PLL. PLLF, the interrupt flag in the PCTL, becomes set whether interrupts are enabled or not. When the AUTO bit is clear, CPU interrupts from the PLL are disabled and PLLF reads as logic 0.

Software should read the LOCK bit after a PLL interrupt request to see if the request was due to an entry into lock or an exit from lock. When the PLL enters lock, the VCO clock, CGMVCLK, divided by two can be selected as the CGMOUT source by setting BCS in the PCTL. When the PLL exits lock, the VCO clock frequency is corrupt, and appropriate precautions should be taken. If the application is not frequency sensitive,

interrupts should be disabled to prevent PLL interrupt service routines from impeding software performance or from exceeding stack limitations.

NOTE: *Software can select the CGMVCLK divided by two as the CGMOUT source even if the PLL is not locked (LOCK = 0). Therefore, software should make sure the PLL is locked before setting the BCS bit.*

8.8 Special Modes

The WAIT and STOP instructions put the MCU in low-power standby modes.

8.8.1 Wait Mode

The WAIT instruction does not affect the CGM. Before entering wait mode, software can disengage and turn off the PLL by clearing the BCS and PLLON bits in the PLL control register (PCTL). Less power-sensitive applications can disengage the PLL without turning it off. Applications that require the PLL to wake the MCU from wait mode also can deselect the PLL output without turning off the PLL.

8.8.2 Stop Mode

When the STOP instruction executes, the SIM drives the SIMOSCEN signal low, disabling the CGM and holding low all CGM outputs (CGMXCLK, CGMOUT, and CGMINT).

If the STOP instruction is executed with the VCO clock (CGMVCLK) divided by two driving CGMOUT, the PLL automatically clears the BCS bit in the PLL control register (PCTL), thereby selecting the crystal clock (CGMXCLK) divided by two as the source of CGMOUT. When the MCU recovers from STOP, the crystal clock divided by two drives CGMOUT and BCS remains clear.

8.9 CGM During Break Interrupts

The system integration module (SIM) controls whether status bits in other modules can be cleared during the break state. The BCFE bit in the SIM break flag control register (SBFCR) enables software to clear status bits during the break state. (See [9.8.3 SIM Break Flag Control Register](#).)

To allow software to clear status bits during a break interrupt, write a logic 1 to the BCFE bit. If a status bit is cleared during the break state, it remains cleared when the MCU exits the break state.

To protect the PLLF bit during the break state, write a logic 0 to the BCFE bit. With BCFE at logic 0 (its default state), software can read and write the PLL control register during the break state without affecting the PLLF bit.

8.10 Acquisition/Lock Time Specifications

The acquisition and lock times of the PLL are, in many applications, the most critical PLL design parameters. Proper design and use of the PLL ensure the highest stability and lowest acquisition/lock times.

8.10.1 Acquisition/Lock Time Definitions

Typical control systems refer to the acquisition time or lock time as the reaction time, within specified tolerances, of the system to a step input. In a PLL, the step input occurs when the PLL is turned on or when it suffers a noise hit. The tolerance usually is specified as a percent of the step input or when the output settles to the desired value plus or minus a percent of the frequency change. Therefore, the reaction time is constant in this definition, regardless of the size of the step input. For example, consider a system with a 5% acquisition time tolerance. If a command instructs the system to change from 0 Hz to 1 MHz, the acquisition time is the time taken for the frequency to reach $1\text{ MHz} \pm 50\text{ kHz}$. $50\text{ kHz} = 5\%$ of the 1-MHz step input. If the system is operating at 1 MHz and suffers a -100-kHz noise hit, the acquisition time

is the time taken to return from 900 kHz to 1 MHz ± 5 kHz. 5 kHz = 5% of the 100-kHz step input.

Other systems refer to acquisition and lock times as the time the system takes to reduce the error between the actual output and the desired output to within specified tolerances. Therefore, the acquisition time or lock time vary according to the original error in the output. Minor errors may not even be registered. Typical PLL applications prefer to use this definition because the system requires the output frequency to be within a certain tolerance of the desired frequency regardless of the size of the initial error.

The discrepancy in these definitions makes it difficult to specify an acquisition or lock time for a typical PLL. Therefore, the definitions for acquisition and lock times for this module are:

- Acquisition time, t_{ACQ} , is the time the PLL takes to reduce the error between the actual output frequency and the desired output frequency to less than the tracking mode entry tolerance, Δ_{TRK} . Acquisition time is based on an initial frequency error, $[(f_{DES} - f_{ORIG})/f_{DES}]$, of not more than $\pm 100\%$. In automatic bandwidth control mode (see [8.4.2.3 Automatic and Manual PLL Bandwidth Modes](#)), acquisition time expires when the \overline{ACQ} bit becomes set in the PLL bandwidth control register (PBWC).
- Lock time, t_{LOCK} , is the time the PLL takes to reduce the error between the actual output frequency and the desired output frequency to less than the lock mode entry tolerance, Δ_{LOCK} . Lock time is based on an initial frequency error, $[(f_{DES} - f_{ORIG})/f_{DES}]$, of not more than $\pm 100\%$. In automatic bandwidth control mode, lock time expires when the LOCK bit becomes set in the PLL bandwidth control register (PBWC). (See [8.4.2.3 Automatic and Manual PLL Bandwidth Modes](#).)

Obviously, the acquisition and lock times can vary according to how large the frequency error is and may be shorter or longer in many cases.

8.10.2 Parametric Influences on Reaction Time

Acquisition and lock times are designed to be as short as possible while still providing the highest possible stability. These reaction times are not constant, however. Many factors directly and indirectly affect the acquisition time.

The most critical parameter which affects the PLL reaction times is the reference frequency, f_{RDV} . This frequency is the input to the phase detector and controls how often the PLL makes corrections. For stability, the corrections must be small compared to the desired frequency, so several corrections are required to reduce the frequency error. Therefore, the slower the reference the longer it takes to make these corrections. This parameter is also under user control via the choice of an external crystal frequency, f_{XCLK} .

Another critical parameter is the external filter capacitor. The PLL modifies the voltage on the VCO by adding or subtracting charge from this capacitor. Therefore, the rate at which the voltage changes for a given frequency error (thus change in charge) is proportional to the capacitor size. The size of the capacitor also is related to the stability of the PLL. If the capacitor is too small, the PLL cannot make small enough adjustments to the voltage and the system cannot lock. If the capacitor is too large, the PLL may not be able to adjust the voltage in a reasonable time. (See [8.10.3 Choosing a Filter Capacitor](#).)

Also important is the operating voltage potential applied to the PLL analog portion potential (V_{DDA}/V_{DDAREF}). Typically, V_{DDA}/V_{DDAREF} is at the same potential as V_{DD} . The power supply potential alters the characteristics of the PLL. A fixed value is best. Variable supplies, such as batteries, are acceptable if they vary within a known range at very slow speeds. Noise on the power supply is not acceptable, because it causes small frequency errors which continually change the acquisition time of the PLL.

Temperature and processing also can affect acquisition time because the electrical characteristics of the PLL change. The part operates as specified as long as these influences stay within the specified limits. External factors, however, can cause drastic changes in the operation of the PLL. These factors include noise injected into the PLL through the filter capacitor, filter capacitor leakage, stray impedances on the circuit board, and even humidity or circuit board contamination.

8.10.3 Choosing a Filter Capacitor

As described in [8.10.2 Parametric Influences on Reaction Time](#), the external filter capacitor, C_F , is critical to the stability and reaction time of the PLL. The PLL is also dependent on reference frequency, f_{RDV} , and supply voltage, V_{DD} . The value of the capacitor, therefore, must be chosen with supply potential and reference frequency in mind. For proper operation, the external filter capacitor must be chosen according to the following equation. Refer to [8.4.2 Phase-Locked Loop Circuit \(PLL\)](#) for the value of f_{RDV} and [21.10 CGM Component Information](#) for the value of C_{FACT} .

$$C_F = C_{FACT} \left(\frac{V_{DDA}}{f_{RDV}} \right)$$

For the value of V_{DDA} , choose the voltage potential at which the MCU is operating. If the power supply is variable, choose a value near the middle of the range of possible supply values.

This equation does not always yield a commonly available capacitor size, so round to the nearest available size. If the value is between two different sizes, choose the higher value for better stability. Choosing the lower size may seem attractive for acquisition time improvement, but the PLL can become unstable. Also, always choose a capacitor with a tight tolerance ($\pm 20\%$ or better) and low dissipation.

8.10.4 Reaction Time Calculation

The actual acquisition and lock times can be calculated using the equations in this subsection. These equations yield nominal values under the following conditions:

- Correct selection of filter capacitor, C_F (See [8.10.3 Choosing a Filter Capacitor.](#))
- Room temperature operation
- Negligible external leakage on CGMXFC
- Negligible noise

The K factor in the equations is derived from internal PLL parameters. K_{ACQ} is the K factor when the PLL is configured in acquisition mode, and K_{TRK} is the K factor when the PLL is configured in tracking mode. (See [8.4.2.2 Acquisition and Tracking Modes.](#))

$$t_{ACQ} = \left(\frac{V_{DDA}}{f_{RDV}} \right) \left(\frac{8}{K_{ACQ}} \right)$$

$$t_{AL} = \left(\frac{V_{DDA}}{f_{RDV}} \right) \left(\frac{4}{K_{TRK}} \right)$$

$$t_{Lock} = t_{ACQ} + t_{AL}$$

NOTE: *There is an inverse proportionality between the lock time and the reference frequency.*

In automatic bandwidth control mode, the acquisition and lock times are quantized into units based on the reference frequency. (See [8.4.2.3 Automatic and Manual PLL Bandwidth Modes.](#)) A certain number of clock cycles, n_{ACQ} , is required to ascertain that the PLL is within the tracking mode entry tolerance, Δ_{TRK} , before exiting acquisition mode. Additionally, a certain number of clock cycles, n_{TRK} , is required to ascertain that the PLL is within the lock mode entry tolerance, Δ_{Lock} . Therefore, the acquisition time, t_{ACQ} , is an integer multiple of n_{ACQ}/f_{RDV} , and the acquisition to lock time, t_{AL} , is an integer multiple of n_{TRK}/f_{RDV} .

Refer to [8.4.2 Phase-Locked Loop Circuit \(PLL\)](#) for the value of f_{RDV} . Also, since the average frequency over the entire measurement period must be within the specified tolerance, the total time usually is longer than t_{Lock} as calculated above.

In manual mode, it is usually necessary to wait considerably longer than t_{Lock} before selecting the PLL clock (see [8.4.3 Base Clock Selector Circuit](#)), because the factors described in [8.10.2 Parametric Influences on Reaction Time](#) can slow the lock time considerably.

Section 9. System Integration Module (SIM)

9.1 Contents

9.2	Introduction	122
9.3	SIM Bus Clock Control and Generation	125
9.3.1	Bus Timing	125
9.3.2	Clock Startup from POR or LVI Reset.	125
9.3.3	Clocks in Stop Mode and Wait Mode	126
9.4	Reset and System Initialization.	126
9.4.1	External Pin Reset.	127
9.4.2	Active Resets from Internal Sources.	128
9.4.2.1	Power-On Reset.	129
9.4.2.2	Computer Operating Properly (COP) Reset.	130
9.4.2.3	Illegal Opcode Reset	130
9.4.2.4	Illegal Address Reset.	130
9.4.2.5	Low-Voltage Inhibit (LVI) Reset	130
9.5	SIM Counter	131
9.5.1	SIM Counter During Power-On Reset.	131
9.5.2	SIM Counter During Stop Mode Recovery	131
9.5.3	SIM Counter and Reset States	131
9.6	Program Exception Control.	132
9.6.1	Interrupts	132
9.6.1.1	Hardware Interrupts	134
9.6.1.2	SWI Instruction.	135
9.6.2	Reset.	136
9.6.3	Break Interrupts.	136
9.6.4	Status Flag Protection in Break Mode.	136
9.7	Low-Power Modes	137
9.7.1	Wait Mode	137
9.7.2	Stop Mode.	138

9.8	SIM Registers	140
9.8.1	SIM Break Status Register	140
9.8.2	SIM Reset Status Register	142
9.8.3	SIM Break Flag Control Register.	143

9.2 Introduction

This section describes the system integration module (SIM), which supports up to 24 external and/or internal interrupts. The SIM is a system state controller that coordinates CPU and exception timing. Together with the central processor unit (CPU), the SIM controls all MCU activities. A block diagram of the SIM is shown in [Figure 9-1](#).

[Table 9-1](#) is a summary of the SIM input/output (I/O) registers.

The SIM is responsible for:

- Bus clock generation and control for CPU and peripherals:
 - Stop/wait/reset/break entry and recovery
 - Internal clock control
- Master reset control, including power-on reset (POR) and computer operating properly (COP) timeout
- Interrupt control
 - Acknowledge timing
 - Arbitration control timing
 - Vector address generation
- CPU enable/disable timing
- Modular architecture expandable to 128 interrupt sources

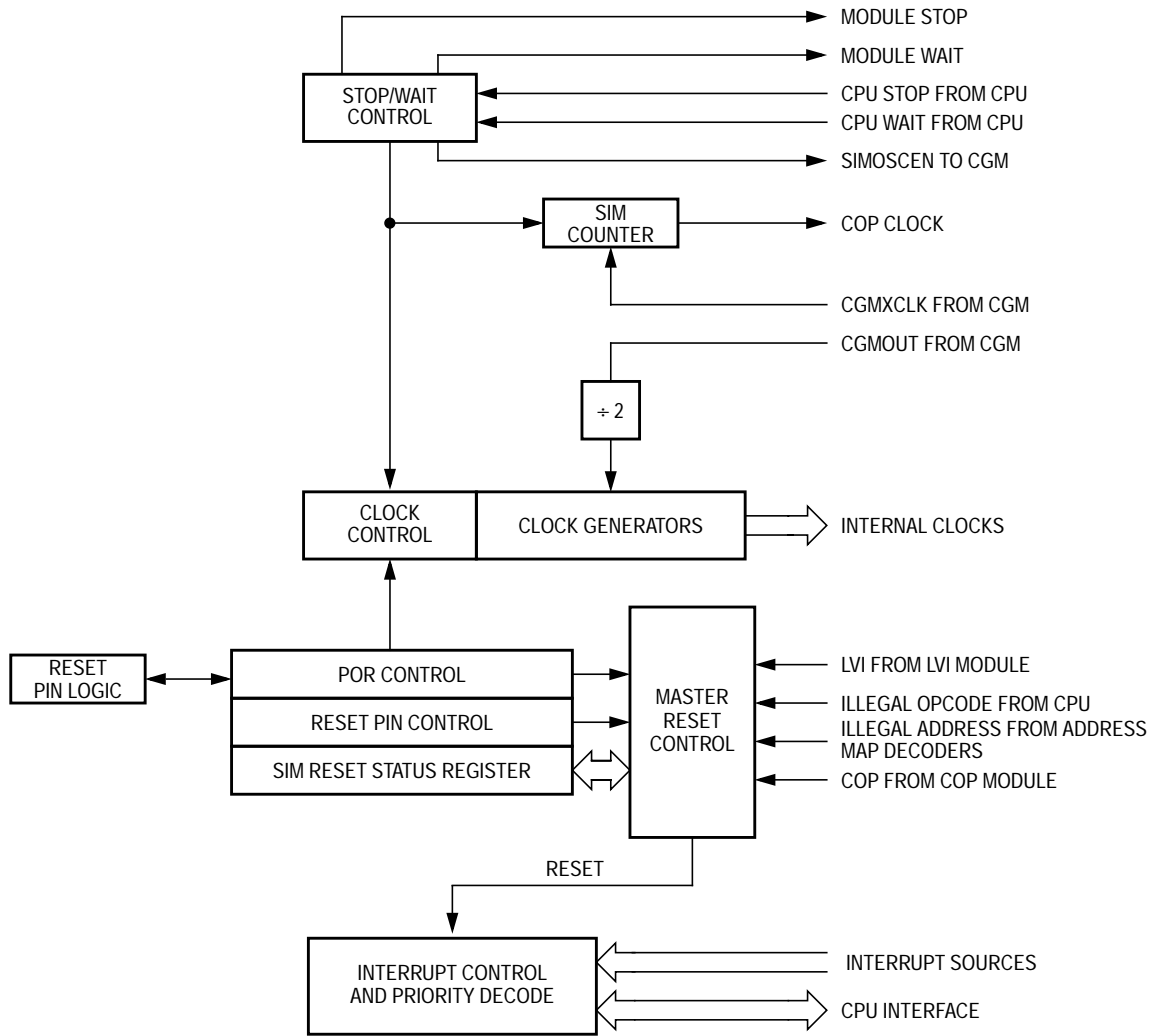


Figure 9-1. SIM Block Diagram

Table 9-1. SIM I/O Register Summary

Addr.	Register Name	Bit 7	6	5	4	3	2	1	Bit 0
\$FE00	SIM Break Status Register (SBSR)	R	R	R	R	R	R	SBSW	R
\$FE01	SIM Reset Status Register (SRSR)	POR	PIN	COP	ILOP	ILAD	0	LVI	0
\$FE03	SIM Break Flag Control Register (SBFCR)	BCFE	R	R	R	R	R	R	R

R = Reserved

Table 9-2 shows the internal signal names used in this section.

Table 9-2. Signal Name Conventions

Signal Name	Description
CGMXCLK	Buffered version of OSC1 from clock generator module (CGM)
CGMVCLK	PLL output
CGMOUT	PLL-based or OSC1-based clock output from CGM module (Bus clock = CGMOUT divided by two)
IAB	Internal address bus
IDB	Internal data bus
PORRST	Signal from the power-on reset module to the SIM
IRST	Internal reset signal
R/ \overline{W}	Read/write signal

9.3 SIM Bus Clock Control and Generation

The bus clock generator provides system clock signals for the CPU and peripherals on the MCU. The system clocks are generated from an incoming clock, CGMOUT, as shown in [Figure 9-2](#). This clock can come from either an external oscillator or from the on-chip PLL. (See [Section 8. Clock Generator Module \(CGM\)](#).)

9.3.1 Bus Timing

In user mode, the internal bus frequency is either the crystal oscillator output (CGMXCLK) divided by four or the PLL output (CGMVCLK) divided by four. (See [Section 8. Clock Generator Module \(CGM\)](#).)

9.3.2 Clock Startup from POR or LVI Reset

When the power-on reset (POR) module or the low-voltage inhibit (LVI) module generates a reset, the clocks to the CPU and peripherals are inactive and held in an inactive phase until after 4096 CGMXCLK cycles. The \overline{RST} pin is driven low by the SIM during this entire period. The bus clocks start upon completion of the timeout.

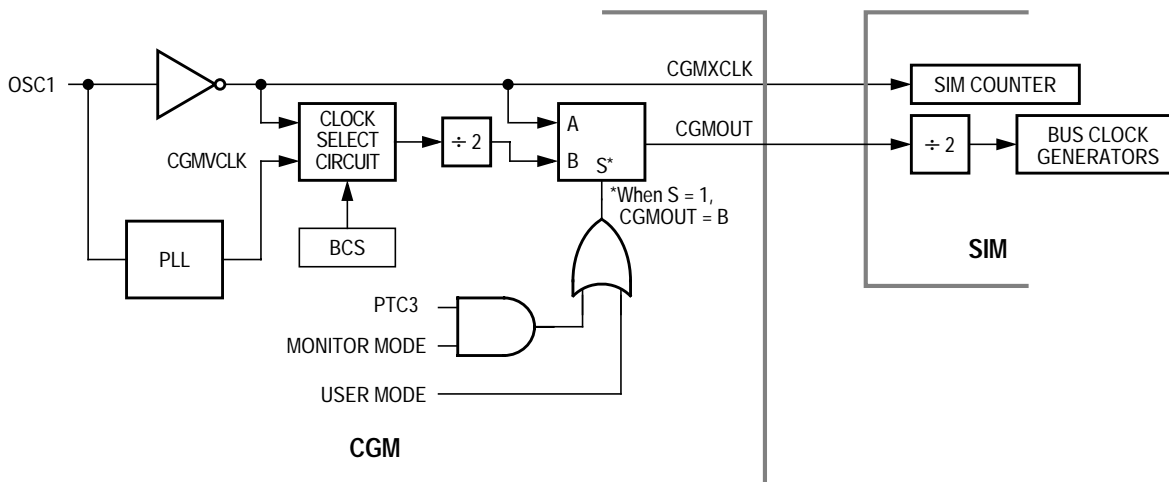


Figure 9-2. CGM Clock Signals

9.3.3 Clocks in Stop Mode and Wait Mode

Upon exit from stop mode by an interrupt, break, or reset, the SIM allows CGMXCLK to clock the SIM counter. The CPU and peripheral clocks do not become active until after the stop delay timeout. This timeout is selectable as 4096 or 32 CGMXCLK cycles. (See [9.7.2 Stop Mode](#).)

In wait mode, the CPU clocks are inactive. However, some modules can be programmed to be active in wait mode. Refer to the wait mode subsection of each module to see if the module is active or inactive in wait mode.

9.4 Reset and System Initialization

The MCU has these reset sources:

- Power-on reset module (POR)
- External reset pin ($\overline{\text{RST}}$)
- Computer operating properly module (COP)
- Low-voltage inhibit module (LVI)
- Illegal opcode
- Illegal address

Each of these resets produces the vector \$FFFE–FFFF (\$FEFE–FEFF in monitor mode) and asserts the internal reset signal (IRST). IRST causes all registers to be returned to their default values and all modules to be returned to their reset states.

An internal reset clears the SIM counter (see [9.5 SIM Counter](#)), but an external reset does not. Each of the resets sets a corresponding bit in the SIM reset status register (SRSR). (See [9.8 SIM Registers](#).)

9.4.1 External Pin Reset

Pulling the asynchronous $\overline{\text{RST}}$ pin low halts all processing. The PIN bit of the SIM reset status register (SRSR) is set as long as $\overline{\text{RST}}$ is held low for a minimum of 67 CGMXCLK cycles, assuming that neither the POR nor the LVI was the source of the reset. See [Table 9-3](#) for details. [Figure 9-3](#) shows the relative timing.

Table 9-3. PIN Bit Set Timing

Reset Type	Number of Cycles Required to Set PIN
POR/LVI	4163 (4096 + 64 + 3)
All Others	67 (64 + 3)

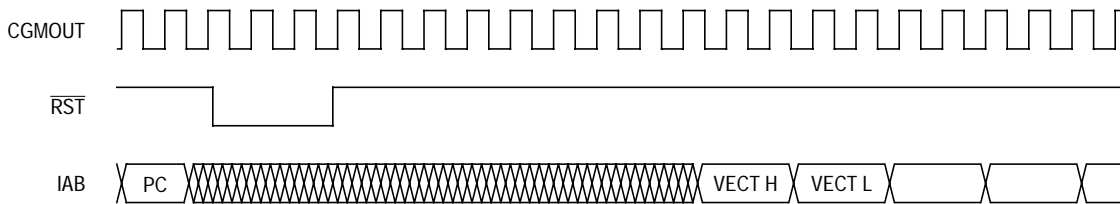


Figure 9-3. External Reset Timing

9.4.2 Active Resets from Internal Sources

All internal reset sources actively pull the $\overline{\text{RST}}$ pin low for 32 CGMXCLK cycles to allow resetting of external peripherals. The internal reset signal IRST continues to be asserted for an additional 32 cycles.

See [Figure 9-4](#). An internal reset can be caused by an illegal address, illegal opcode, COP timeout, LVI, or POR. (See [Figure 9-5. Sources of Internal Reset](#).) Note that for LVI or POR resets, the SIM cycles through 4096 CGMXCLK cycles during which the SIM forces the $\overline{\text{RST}}$ pin low. The internal reset signal then follows the sequence from the falling edge of $\overline{\text{RST}}$ shown in [Figure 9-4](#).

The COP reset is asynchronous to the bus clock.

The active reset feature allows the part to issue a reset to peripherals and other chips within a system built around the MCU.

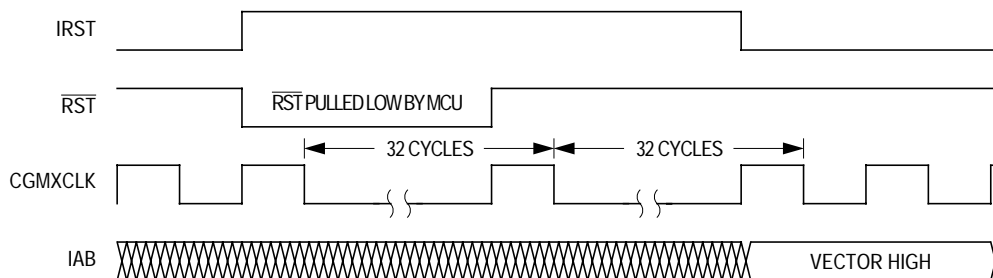


Figure 9-4. Internal Reset Timing

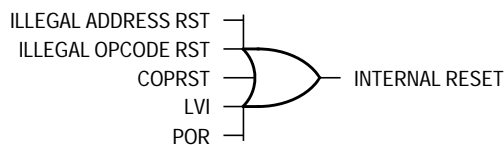


Figure 9-5. Sources of Internal Reset

9.4.2.1 Power-On Reset

When power is first applied to the MCU, the power-on reset module (POR) generates a pulse to indicate that power-on has occurred. The external reset pin ($\overline{\text{RST}}$) is held low while the SIM counter counts out 4096 CGMXCLK cycles. Another 64 CGMXCLK cycles later, the CPU and memories are released from reset to allow the reset vector sequence to occur.

At power-on, these events occur:

- A POR pulse is generated.
- The internal reset signal is asserted.
- The SIM enables CGMOUT.
- Internal clocks to the CPU and modules are held inactive for 4096 CGMXCLK cycles to allow stabilization of the oscillator.
- The $\overline{\text{RST}}$ pin is driven low during the oscillator stabilization time.
- The POR bit of the SIM reset status register (SRSR) is set and all other bits in the register are cleared.

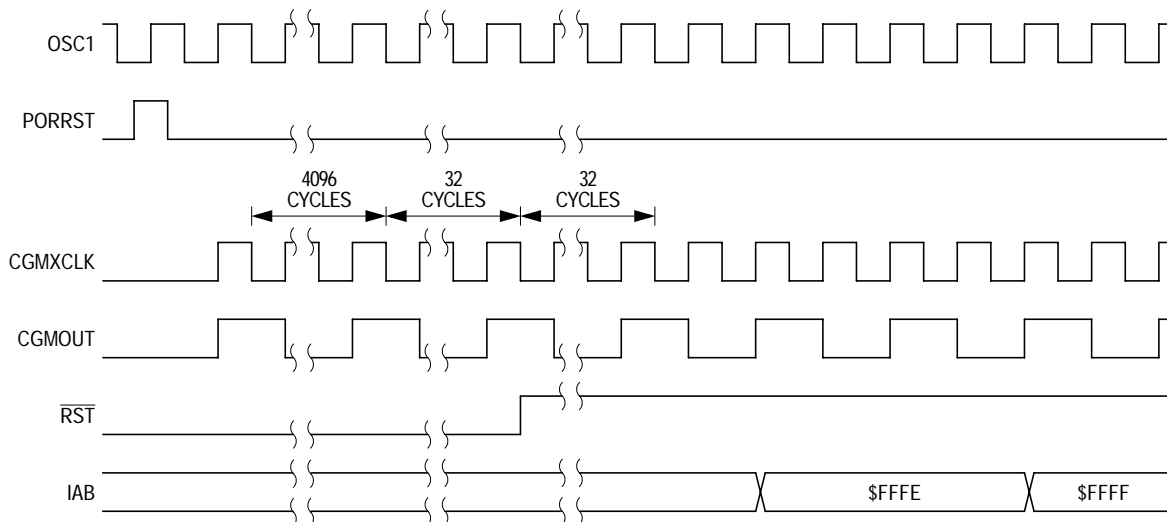


Figure 9-6. POR Recovery

9.4.2.2 Computer Operating Properly (COP) Reset

The overflow of the COP counter causes an internal reset and sets the COP bit in the SIM reset status register (SRSR) if the COPD bit in the MOR register is at logic 0. (See [Section 13. Computer Operating Properly \(COP\)](#).)

9.4.2.3 Illegal Opcode Reset

The SIM decodes signals from the CPU to detect illegal instructions. An illegal instruction sets the ILOP bit in the SIM reset status register (SRSR) and causes a reset.

NOTE: A \$9E opcode (pre-byte for SP instructions) followed by an \$8E opcode (stop instruction) generates a stop mode recovery reset.

If the stop enable bit, STOP, in the MOR register is logic 0, the SIM treats the STOP instruction as an illegal opcode and causes an illegal opcode reset.

9.4.2.4 Illegal Address Reset

An opcode fetch from an unmapped address generates an illegal address reset. The SIM verifies that the CPU is fetching an opcode prior to asserting the ILAD bit in the SIM reset status register (SRSR) and resetting the MCU. A data fetch from an unmapped address does not generate a reset.

9.4.2.5 Low-Voltage Inhibit (LVI) Reset

The low-voltage inhibit (LVI) module asserts its output to the SIM when the V_{DD} voltage falls to the V_{LVIF} voltage. The LVI bit in the SIM reset status register (SRSR) is set and a chip reset is asserted if the LVIPWR and LVIRST bits in the CONFIG register are at logic 1. The \overline{RST} pin will be held low until the SIM counts 4096 CGMXCLK cycles after V_{DD} rises above V_{LVIR} . Another 64 CGMXCLK cycles later, the CPU is released from reset to allow the reset vector sequence to occur. (See [Section 10. Low-Voltage Inhibit \(LVI\)](#).)

9.5 SIM Counter

The SIM counter is used by the power-on reset module (POR) and in stop mode recovery to allow the oscillator time to stabilize before enabling the internal bus (IBUS) clocks. The SIM counter also serves as a prescaler for the computer operating properly (COP) module. The SIM counter overflow supplies the clock for the COP module. The SIM counter is 12 bits long and is clocked by the falling edge of CGMXCLK.

9.5.1 SIM Counter During Power-On Reset

The power-on reset module (POR) detects power applied to the MCU. At power-on, the POR circuit asserts the signal PORRST. Once the SIM is initialized, it enables the clock generation module (CGM) to drive the bus clock state machine.

9.5.2 SIM Counter During Stop Mode Recovery

The SIM counter also is used for stop mode recovery. The STOP instruction clears the SIM counter. After an interrupt, break, or reset, the SIM senses the state of the short stop recovery bit, SSREC, in the MOR register. If the SSREC bit is a logic 1, then the stop recovery is reduced from the normal delay of 4096 CGMXCLK cycles down to 32 CGMXCLK cycles. This is ideal for applications using canned oscillators that do not require long startup times from stop mode. External crystal applications should use the full stop recovery time with SSREC cleared.

9.5.3 SIM Counter and Reset States

External reset has no effect on the SIM counter. (See [9.7.2 Stop Mode](#) for details.) The SIM counter is free-running after all reset states. (See [9.4.2 Active Resets from Internal Sources](#) for counter control and internal reset recovery sequences.)

9.6 Program Exception Control

Normal, sequential program execution can be changed in three different ways:

- Interrupts:
 - Maskable hardware CPU interrupts
 - Non-maskable software interrupt instruction (SWI)
- Reset
- Break interrupts

9.6.1 Interrupts

At the beginning of an interrupt, the CPU saves the CPU register contents on the stack and sets the interrupt mask (I bit) to prevent additional interrupts. At the end of an interrupt, the RTI instruction recovers the CPU register contents from the stack so that normal processing can resume. [Figure 9-7](#) shows interrupt entry timing. [Figure 9-9](#) shows interrupt recovery timing.

Interrupts are latched, and arbitration is performed in the SIM at the start of interrupt processing. The arbitration result is a constant that the CPU uses to determine which vector to fetch. Once an interrupt is latched by the SIM, no other interrupt can take precedence, regardless of priority, until the latched interrupt is serviced or the I bit is cleared. (See [Figure 9-8](#).)

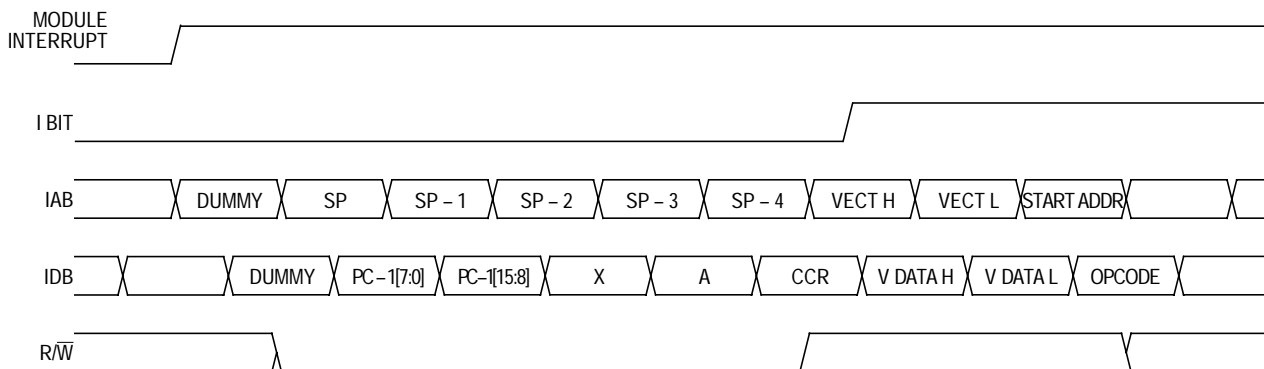


Figure 9-7. Hardware Interrupt Entry

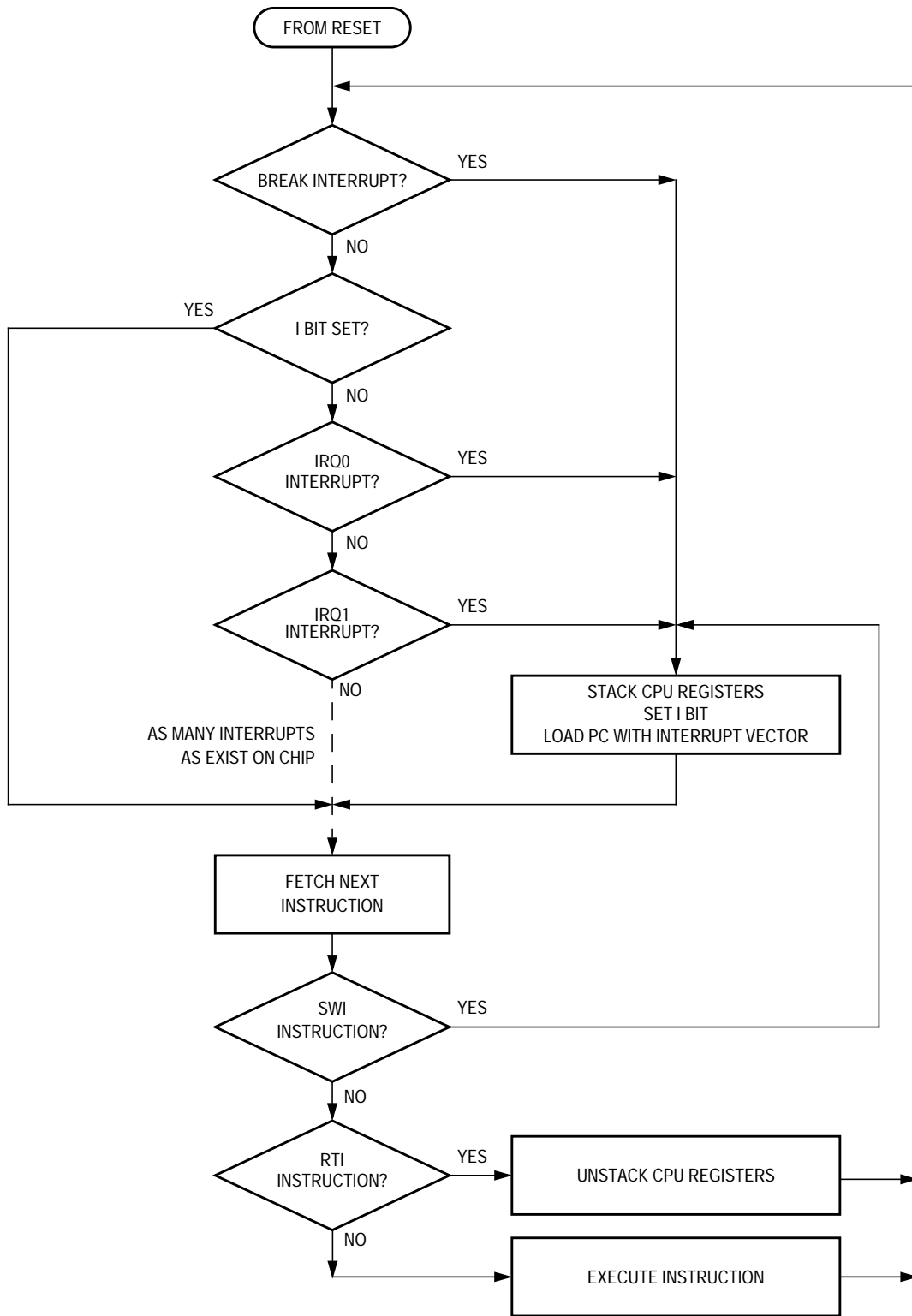


Figure 9-8. Interrupt Processing

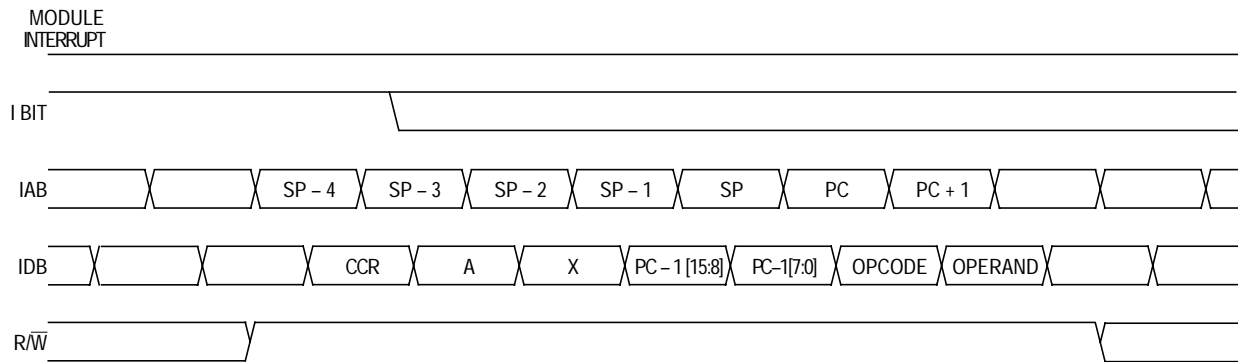


Figure 9-9. Hardware Interrupt Recovery

9.6.1.1 Hardware Interrupts

A hardware interrupt does not stop the current instruction. Processing of a hardware interrupt begins after completion of the current instruction. When the current instruction is complete, the SIM checks all pending hardware interrupts. If interrupts are not masked (I bit clear in the condition code register) and if the corresponding interrupt enable bit is set, the SIM proceeds with interrupt processing; otherwise, the next instruction is fetched and executed.

If more than one interrupt is pending at the end of an instruction execution, the highest priority interrupt is serviced first. [Figure 9-10](#) demonstrates what happens when two interrupts are pending. If an interrupt is pending upon exit from the original interrupt service routine, the pending interrupt is serviced before the LDA instruction is executed.

The LDA opcode is prefetched by both the INT1 and INT2 RTI instructions. However, in the case of the INT1 RTI prefetch, this is a redundant operation.

NOTE: *To maintain compatibility with the M68HC05, M6805, and M146805 Families, the H register is not pushed on the stack during interrupt entry. If the interrupt service routine modifies the H register or uses the indexed addressing mode, software should save the H register and then restore it prior to exiting the routine.*

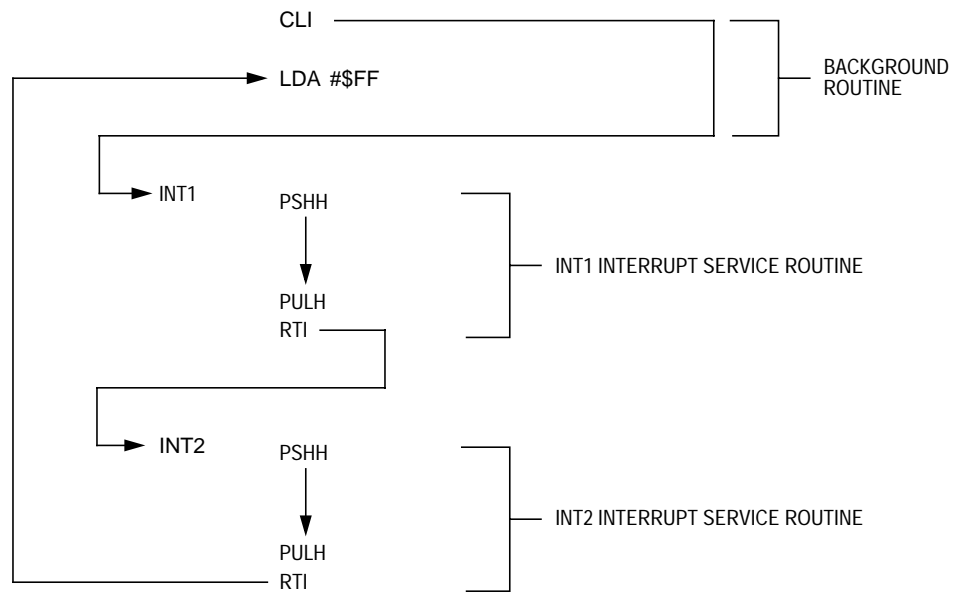


Figure 9-10. Interrupt Recognition Example

9.6.1.2 SWI Instruction

The SWI instruction is a non-maskable instruction that causes an interrupt regardless of the state of the interrupt mask (I bit) in the condition code register.

NOTE: *A software interrupt pushes PC onto the stack. A software interrupt does **not** push PC – 1, as a hardware interrupt does.*

9.6.2 Reset

All reset sources always have higher priority than interrupts and cannot be arbitrated.

9.6.3 Break Interrupts

The break module can stop normal program flow at a software-programmable break point by asserting its break interrupt output. (See [Section 11. Break Module \(Break\)](#).) The SIM puts the CPU into the break state by forcing it to the SWI vector location. Refer to the break interrupt subsection of each module to see how the break state affects each module.

9.6.4 Status Flag Protection in Break Mode

The SIM controls whether status flags contained in other modules can be cleared during break mode. The user can select to protect flags from being cleared by properly initializing the break clear flag enable bit (BCFE) in the SIM break flag control register (SBFCR). (See [9.8.3 SIM Break Flag Control Register](#).)

Protecting flags in break mode ensures that set flags will not be cleared while in break mode. This protection allows registers to be freely read and written during break mode without losing status flag information.

Setting the BCFE bit enables the clearing mechanisms. Once cleared in break mode, a flag remains cleared even when break mode is exited. Status flags with a 2-step clearing mechanism — for example, a read of one register followed by the read or write of another — are protected, even when the first step is accomplished prior to entering break mode. Upon leaving break mode, execution of the second step will clear the flag as usual.

9.7 Low-Power Modes

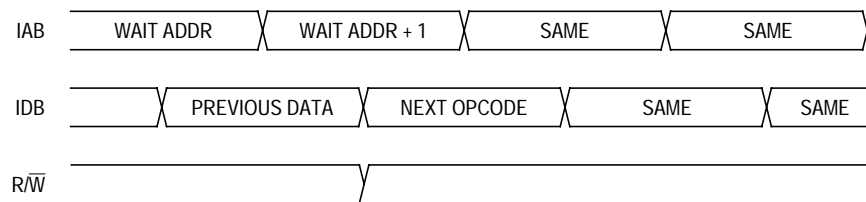
Executing the WAIT or STOP instruction puts the MCU in a low-power mode for standby situations. The SIM holds the CPU in a non-clocked state. The operation of each of these modes is described below. Both STOP and WAIT clear the interrupt mask (I) in the condition code register, allowing interrupts to occur.

9.7.1 Wait Mode

In wait mode, the CPU clocks are inactive while one set of peripheral clocks continues to run. **Figure 9-11** shows the timing for wait mode entry.

A module that is active during wait mode can wake up the CPU with an interrupt if the interrupt is enabled. Stacking for the interrupt begins one cycle after the WAIT instruction during which the interrupt occurred. Refer to the wait mode subsection of each module to see if the module is active or inactive in wait mode. Some modules can be programmed to be active in wait mode.

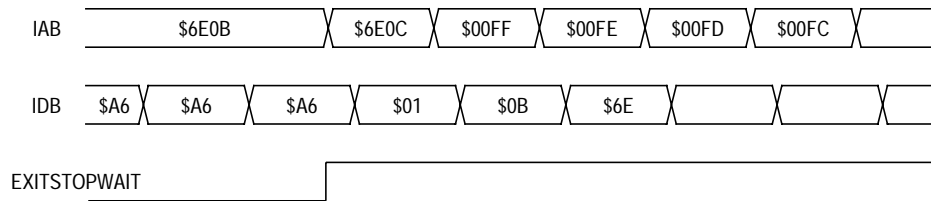
Wait mode also can be exited by a reset or break. A break interrupt during wait mode sets the SIM break stop/wait bit, SBSW, in the SIM break status register (SBSR). If the COP disable bit, COPD, in the mask option register (MOR \$001F) is logic 0, then the computer operating properly module (COP) is enabled and remains active in wait mode.



NOTE: Previous data can be operand data or the WAIT opcode, depending on the last instruction.

Figure 9-11. Wait Mode Entry Timing

Figure 9-12 and Figure 9-13 show the timing for wait recovery.



NOTE: EXITSTOPWAIT = $\overline{\text{RST}}$ pin or CPU interrupt or break interrupt

Figure 9-12. Wait Recovery from Interrupt or Break

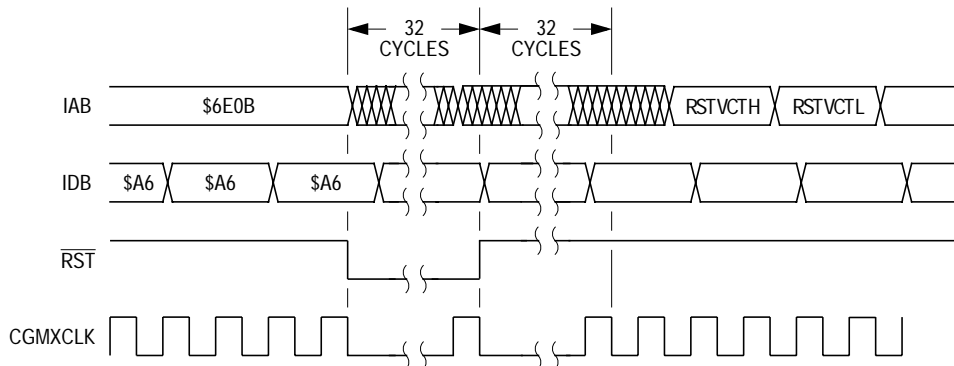


Figure 9-13. Wait Recovery from Internal Reset

9.7.2 Stop Mode

In stop mode, the SIM counter is reset and the system clocks are disabled. An interrupt request from a module can cause an exit from stop mode. Stacking for interrupts begins after the selected stop recovery time has elapsed. Reset or break also causes an exit from stop mode.

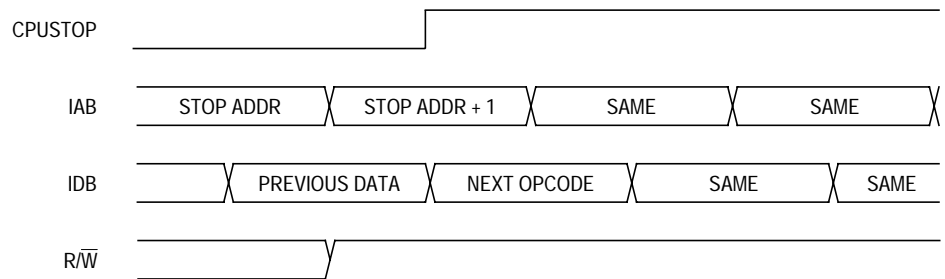
The SIM disables the clock generator module outputs (CGMOUT and CGMXCLK) in stop mode, stopping the CPU and peripherals. Stop recovery time is selectable using the short stop recovery (SSREC) bit in the MOR register (\$001F). If SSREC is set, stop recovery is reduced from the normal delay of 4096 CGMXCLK cycles down to 32. This is

ideal for applications using canned oscillators that do not require long startup times from stop mode.

NOTE: *External crystal applications should use the full stop recovery time by clearing the SSREC bit.*

A break interrupt during stop mode sets the SIM break stop/wait bit (SBSW) in the SIM break status register (SBSR).

The SIM counter is held in reset from the execution of the STOP instruction until the beginning of stop recovery. It is then used to time the recovery period. **Figure 9-14** shows stop mode entry timing.



NOTE: Previous data can be operand data or the STOP opcode, depending on the last instruction.

Figure 9-14. Stop Mode Entry Timing

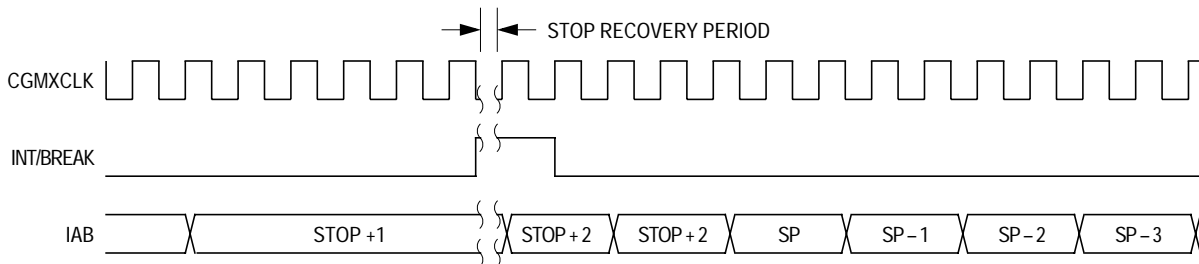


Figure 9-15. Stop Mode Recovery from Interrupt or Break

9.8 SIM Registers

The SIM has three memory mapped registers.

9.8.1 SIM Break Status Register

The SIM break status register contains a flag to indicate that a break caused an exit from stop mode or wait mode.

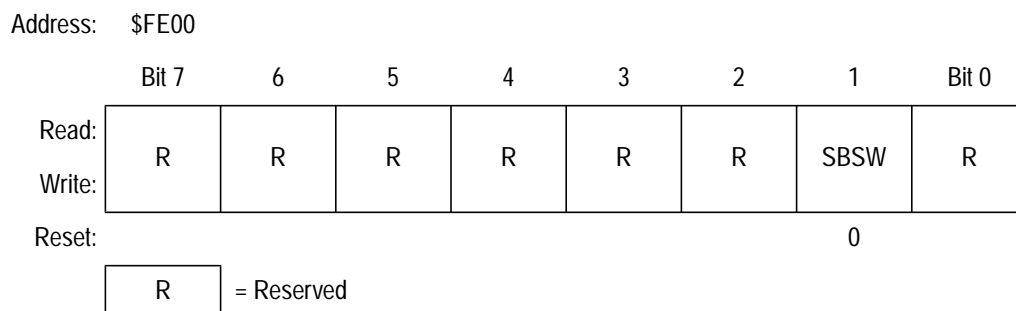


Figure 9-16. SIM Break Status Register (SBSR)

SBSW — SIM Break Stop/Wait Bit

This status bit is useful in applications requiring a return to wait mode or stop mode after exiting from a break interrupt. Clear SBSW by writing a logic 0 to it. Reset clears SBSW.

1 = Stop mode or wait mode exited by break interrupt

0 = Stop mode or wait mode not exited by break interrupt

SBSW can be read within the break state SWI routine. The user can modify the return address on the stack by subtracting one from it. The following code is an example of this. Writing 0 to the SBSW bit clears it.

; This code works if the H register has been pushed onto the stack in the break service routine
; software. This code should be executed at the end of the break service routine software.
;

```

HIBYTE EQU 5
LOBYTE EQU 6
;      If not SBSW, do RTI
      BRCLR  SBSW,SBSR, RETURN ;See if wait mode or stop mode was exited by
                                ;break.
      TST   LOBYTE,SP          ;If RETURNLO is not zero,
      BNE   DOLO               ;then just decrement low byte.
      DEC   HIBYTE,SP          ;Else deal with high byte, too.
DOLO   DEC   LOBYTE,SP          ;Point to WAIT/STOP opcode.
RETURN PULH                     ;Restore H register.
      RTI

```

9.8.2 SIM Reset Status Register

This register contains six flags that show the source of the last reset. The status register will clear automatically after reading it. A power-on reset sets the POR bit and clears all other bits in the register.

Address: \$FE01

	Bit 7	6	5	4	3	2	1	Bit 0
Read:	POR	PIN	COP	ILOP	ILAD	0	LVI	0
Write:	R	R	R	R	R	R	R	R
Reset:	1	0	0	0	0	0	0	0

R = Reserved

Figure 9-17. SIM Reset Status Register (SRSR)

POR — Power-On Reset Bit

1 = Last reset caused by POR circuit

0 = Read of SRSR

PIN — External Reset Bit

1 = Last reset caused by external reset pin (\overline{RST})

0 = POR or read of SRSR

COP — Computer Operating Properly Reset Bit

1 = Last reset caused by COP counter

0 = POR or read of SRSR

ILOP — Illegal Opcode Reset Bit

1 = Last reset caused by an illegal opcode

0 = POR or read of SRSR

ILAD — Illegal Address Reset Bit (opcode fetches only)

1 = Last reset caused by an opcode fetch from an illegal address

0 = POR or read of SRSR

LVI — Low-Voltage Inhibit Reset Bit

1 = Last reset was caused by the LVI circuit

0 = POR or read of SRSR

9.8.3 SIM Break Flag Control Register

The SIM break control register contains a bit that enables software to clear status bits while the MCU is in a break state.

Address: \$FE03

	Bit 7	6	5	4	3	2	1	Bit 0
Read:	BCFE	R	R	R	R	R	R	R
Write:								
Reset:	0							

R

 = Reserved

Figure 9-18. SIM Break Flag Control Register (SBFCR)

BCFE — Break Clear Flag Enable Bit

In some module registers, this read/write bit will enable software to clear status bits by accessing status registers only while the MCU is in a break state. To clear status bits during the break state, the BCFE bit must be set. This operation is important for modules with status bits which can be cleared only by being read. See the register descriptions in each module for additional details.

1 = Status bits clearable during break

0 = Status bits not clearable during break

Section 10. Low-Voltage Inhibit (LVI)

10.1 Contents

10.2	Introduction	145
10.3	Features	146
10.4	Functional Description	146
10.4.1	Polled LVI Operation	147
10.4.2	Forced Reset Operation	147
10.4.3	False Reset Protection	148
10.5	LVI Status Register	148
10.6	LVI Interrupts	149
10.7	Low-Power Modes	149
10.7.1	Wait Mode	149
10.7.2	Stop Mode	149

10.2 Introduction

This section describes the low-voltage inhibit module (LVI), which monitors the voltage on the V_{DD} pin and can force a reset when the V_{DD} voltage falls to the LVI trip voltage.

10.3 Features

Features of the LVI module include:

- Programmable LVI reset
- Programmable power consumption
- Digital filtering of V_{DD} pin level

10.4 Functional Description

Figure 10-1 shows the structure of the LVI module. The LVI is enabled out of reset. The LVI module contains a bandgap reference circuit and comparator. The LVI power bit, LVIPWR, enables the LVI to monitor V_{DD} voltage. The LVI reset bit, LVIRST, enables the LVI module to generate a reset when V_{DD} falls below a voltage, V_{LVIF} , and remains at or below that level for nine or more consecutive CPU cycles. LVISTOP, enables the LVI module during stop mode. This will ensure when the STOP instruction is implemented, the LVI will continue to monitor the voltage level on V_{DD} . LVIPWR, LVISTOP, and LVIRST are in the MOR register (\$001F) (see **Section 5. Mask Options**). Once an LVI reset occurs, the MCU remains in reset until V_{DD} rises above a voltage, V_{LVIR} . The output of the comparator controls the state of the LVIOUT flag in the LVI status register (LVISR).

An LVI reset also drives the \overline{RST} pin low to provide low-voltage protection to external peripheral devices.

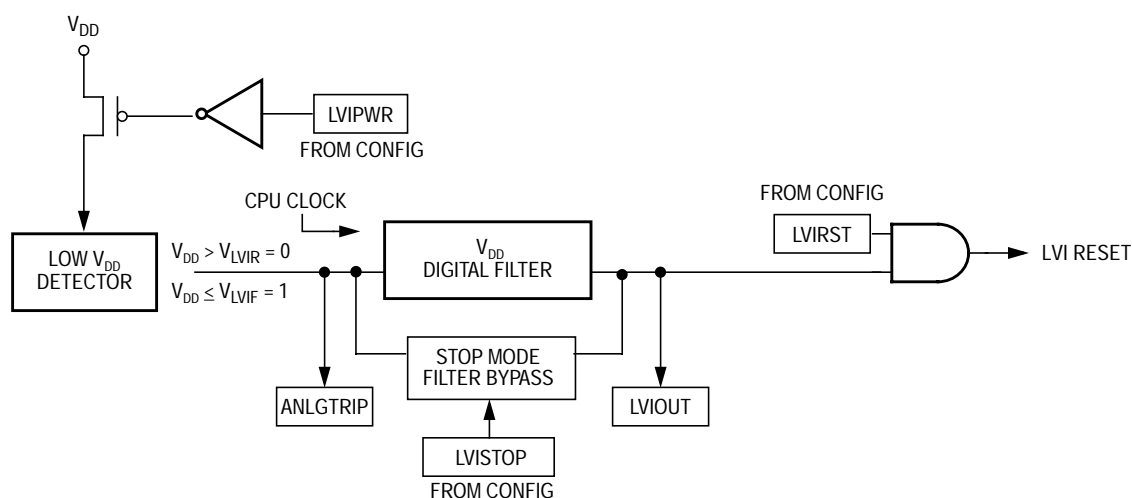


Figure 10-1. LVI Module Block Diagram

Table 10-1. LVI I/O Register Summary

Addr.	Register Name	Bit 7	6	5	4	3	2	1	Bit 0
\$FE0F	LVI Status Register (LVISR)	LVIOUT	R	R	R	R	R	R	R

R = Reserved

10.4.1 Polled LVI Operation

In applications that can operate at V_{DD} levels below the V_{LVIF} level, software can monitor V_{DD} by polling the LVIOUT bit. In the MOR register, the LVIPWR bit must be at logic1 to enable the LVI module, and the LVIRST bit must be at logic 0 to disable LVI resets.

10.4.2 Forced Reset Operation

In applications that require V_{DD} to remain above the V_{LVIF} level, enabling LVI resets allows the LVI module to reset the MCU when V_{DD} falls to the V_{LVIF} level and remains at or below that level for nine or more consecutive CPU cycles. In the MOR register, the LVIPWR and LVIRST bits must be at logic 1 to enable the LVI module and to enable LVI resets.

10.4.3 False Reset Protection

The V_{DD} pin level is digitally filtered to reduce false resets due to power supply noise. In order for the LVI module to reset the MCU, V_{DD} must remain at or below the V_{LVIF} level for nine or more consecutive CPU cycles. V_{DD} must be above V_{LVIR} for only one CPU cycle to bring the MCU out of reset.

10.5 LVI Status Register

The LVI status register flags V_{DD} voltages below the V_{LVIF} level.

Address: \$FE0F

	Bit 7	6	5	4	3	2	1	Bit 0
Read:	LVIOUT	0	0	0	0	0	0	0
Write:	R	R	R	R	R	R	R	R
Reset:	0	0	0	0	0	0	0	0

R = Reserved

Figure 10-2. LVI Status Register (LVISR)

LVIOUT — LVI Output Bit

This read-only flag becomes set when the V_{DD} voltage falls below the V_{LVIF} voltage or 32 to 40 CGMXCLK cycles. (See [Table 10-2.](#)) Reset clears the LVIOUT bit.

Table 10-2. LVIOUT Bit Indication

V_{DD}		LVIOUT
At Level:	For Number of CGMXCLK Cycles:	
$V_{DD} > V_{LVIR}$	Any	0
$V_{DD} < V_{LVIF}$	< 32 CGMXCLK Cycles	0
$V_{DD} < V_{LVIF}$	Between 32 and 40 CGMXCLK Cycles	0 or 1
$V_{DD} < V_{LVIF}$	> 40 CGMXCLK Cycles	1
$V_{LVIF} < V_{DD} < V_{LVIR}$	Any	Previous Value

10.6 LVI Interrupts

The LVI module does not generate interrupt requests.

10.7 Low-Power Modes

The STOP and WAIT instructions put the MCU in low-power standby modes.

10.7.1 Wait Mode

With the LVIPWR bit in the MOR register programmed to logic 1, the LVI module is active after a WAIT instruction.

With the LVIRST bit in the MOR register programmed to logic 1, the LVI module can generate a reset and bring the MCU out of wait mode.

10.7.2 Stop Mode

With the LVISTOP and LVIPWR bits in the configuration register programmed to a logic 1, the LVI module will be active after a STOP instruction. Because CPU clocks are disabled during stop mode, the LVI trip must bypass the digital filter to generate a reset and bring the MCU out of stop.

With the LVIPWR bit in the MOR register programmed to logic 1 and the LVISTOP bit at a logic 0, the LVI module will be inactive after a STOP instruction.

NOTE: *If the LVIPWR bit is at logic 1, the LVISTOP bit must be at logic 0 to meet the minimum stop mode I_{DD} specification.*

Section 11. Break Module (Break)

11.1 Contents

11.2	Introduction	151
11.3	Features	152
11.4	Functional Description	152
11.4.1	Flag Protection During Break Interrupts	153
11.4.2	CPU During Break Interrupts	154
11.4.3	TIM During Break Interrupts	154
11.4.4	COP During Break Interrupts	154
11.5	Break Module Registers	154
11.5.1	Break Status and Control Register	155
11.5.2	Break Address Registers	156
11.6	Low-Power Modes	156
11.6.1	Wait Mode	156
11.6.2	Stop Mode	157

11.2 Introduction

This section describes the break module (break). The break module can generate a break interrupt that stops normal program flow at a defined address to enter a background program.

11.3 Features

Features of the break module include:

- Accessible I/O registers during the break interrupt
- CPU-generated break interrupts
- Software-generated break interrupts
- COP disabling during break interrupts

11.4 Functional Description

When the internal address bus matches the value written in the break address registers, the break module issues a breakpoint signal ($\overline{\text{BKPT}}$) to the SIM. The SIM then causes the CPU to load the instruction register with a software interrupt instruction (SWI) after completion of the current CPU instruction. The program counter vectors to \$FFFC and \$FFFD (\$FEFC and \$FEFD in monitor mode).

These events can cause a break interrupt to occur:

- A CPU-generated address (the address in the program counter) matches the contents of the break address registers
- Software writes a logic 1 to the BRKA bit in the break status and control register.

When a CPU-generated address matches the contents of the break address registers, the break interrupt begins after the CPU completes its current instruction. A return-from-interrupt instruction (RTI) in the break routine ends the break interrupt and returns the MCU to normal operation. [Figure 11-1](#) shows the structure of the break module.

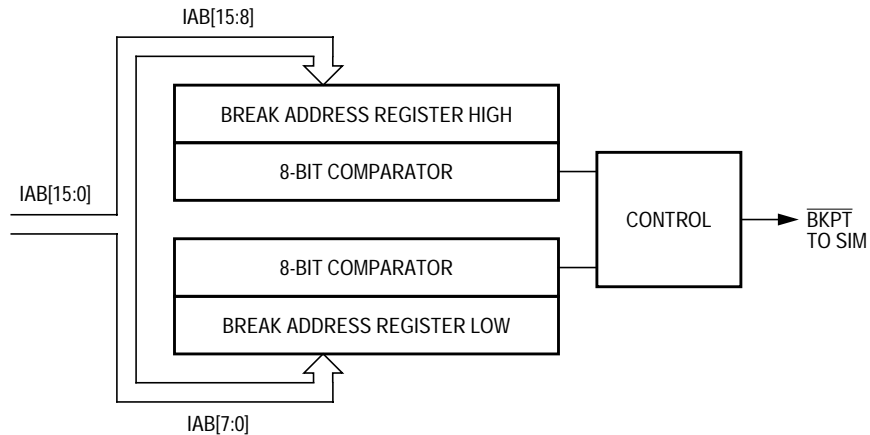


Figure 11-1. Break Module Block Diagram

Table 11-1. Break I/O Register Summary

Addr.	Register Name	Bit 7	6	5	4	3	2	1	Bit 0
\$FE0C	Break Address Register High (BRKH)	BIT 15	BIT 14	BIT 13	BIT 12	BIT 11	BIT 10	BIT 9	BIT 8
\$FE0D	Break Address Register Low (BRKL)	BIT 7	BIT 6	BIT 5	BIT 4	BIT 3	BIT 2	BIT 1	BIT 0
\$FE0E	Break Status/Control Register (BRKSCR)	BRKE	BRKA	R	R	R	R	R	R

R = Reserved

11.4.1 Flag Protection During Break Interrupts

The system integration module (SIM) controls whether module status bits can be cleared during the break state. The BCFE bit in the SIM break flag control register (SBFCR) enables software to clear status bits during the break state. (See [9.8.3 SIM Break Flag Control Register](#) and the **Break Interrupts** subsection for each module.)

11.4.2 CPU During Break Interrupts

The CPU starts a break interrupt by:

- Loading the instruction register with the SWI instruction
- Loading the program counter with \$FFFC–\$FFFD (\$FEFC–\$FEFD in monitor mode)

The break interrupt begins after completion of the CPU instruction in progress. If the break address register match occurs on the last cycle of a CPU instruction, the break interrupt begins immediately.

11.4.3 TIM During Break Interrupts

A break interrupt stops the timer counter.

11.4.4 COP During Break Interrupts

The COP is disabled during a break interrupt when $V_{DD} + V_{HI}$ is present on the \overline{RST} pin. For V_{HI} , see [21.5 5.0-Volt DC Electrical Characteristics Control Timing](#).

11.5 Break Module Registers

Three registers control and monitor operation of the break module:

- Break status and control register (BRKSCR)
- Break address register high (BRKH)
- Break address register low (BRKL)

11.5.1 Break Status and Control Register

The break status and control register contains break module enable and status bits.

Address: \$FE0E

	Bit 7	6	5	4	3	2	1	Bit 0
Read:	BRKE	BRKA	0	0	0	0	0	0
Write:			R	R	R	R	R	R
Reset:	0	0	0	0	0	0	0	0

R

 = Reserved

Figure 11-2. Break Status and Control Register (BRKSCR)

BRKE — Break Enable Bit

This read/write bit enables breaks on break address register matches. Clear BRKE by writing a logic 0 to bit 7. Reset clears the BRKE bit.

- 1 = Breaks enabled on 16-bit address match
- 0 = Breaks disabled on 16-bit address match

BRKA — Break Active Bit

This read/write status and control bit is set when a break address match occurs. Writing a logic 1 to BRKA generates a break interrupt. Clear BRKA by writing a logic 0 to it before exiting the break routine. Reset clears the BRKA bit.

- 1 = Break address match
- 0 = No break address match

11.5.2 Break Address Registers

The break address registers contain the high and low bytes of the desired breakpoint address. Reset clears the break address registers.

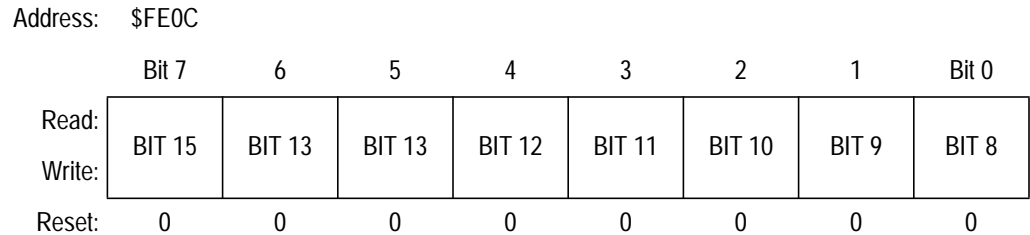


Figure 11-3. Break Address Register (BRKH)

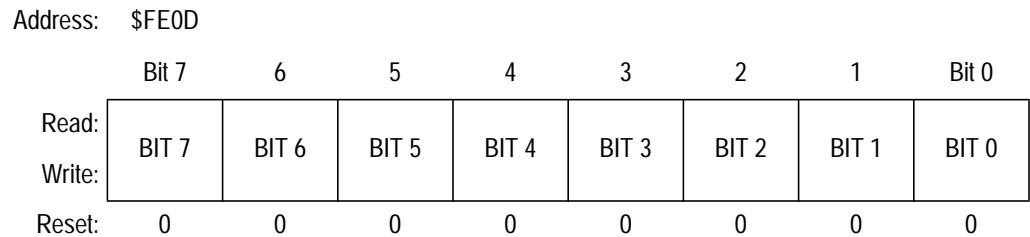


Figure 11-4. Break Address Register (BRKL)

11.6 Low-Power Modes

The WAIT and STOP instructions put the MCU in low-power standby modes.

11.6.1 Wait Mode

If enabled, the break module is active in wait mode. The SIM break stop/wait bit (SBSW) in the SIM break status register indicates whether wait was exited by a break interrupt. If so, the user can modify the return address on the stack by subtracting one from it to re-execute the stop or wait opcode. (See [9.8.1 SIM Break Status Register](#).)

11.6.2 Stop Mode

The break module is inactive in stop mode. The STOP instruction does not affect break module register states. A break interrupt will cause an exit from stop mode and sets the SBSW bit in the SIM break status register.

Section 12. Monitor ROM (MON)

12.1 Contents

12.2	Introduction	159
12.3	Features	160
12.4	Functional Description	160
12.4.1	Entering Monitor Mode	162
12.4.2	Data Format	163
12.4.3	Echoing	164
12.4.4	Break Signal	164
12.4.5	Commands	165
12.4.6	Baud Rate	168

12.2 Introduction

This section describes the monitor ROM (MON). The monitor ROM allows complete testing of the MCU through a single-wire interface with a host computer.

12.3 Features

Features of the monitor ROM include:

- Normal user-mode pin functionality
- One pin dedicated to serial communication between monitor ROM and Host computer
- Standard mark/space non-return-to-zero (NRZ) communication with host computer
- 4800 Baud–28.8 kBaud communication with host computer
- Execution of code in RAM or ROM

12.4 Functional Description

Monitor ROM receives and executes commands from a host computer. **Figure 12-1** shows a sample circuit used to enter monitor mode and communicate with a host computer via a standard RS-232 interface.

While simple monitor commands can access any memory address, the MC68HC08AS32 has a ROM security feature that requires proper procedures to be followed before the ROM can be accessed. Access to the ROM is denied to unauthorized users of customer-specified software.

In monitor mode, the MCU can execute host-computer code in RAM while all MCU pins except PTA0 retain normal operating mode functions. All communication between the host computer and the MCU is through the PTA0 pin. A level-shifting and multiplexing interface is required between PTA0 and the host computer. PTA0 is used in a wired-OR configuration and requires a pullup resistor.

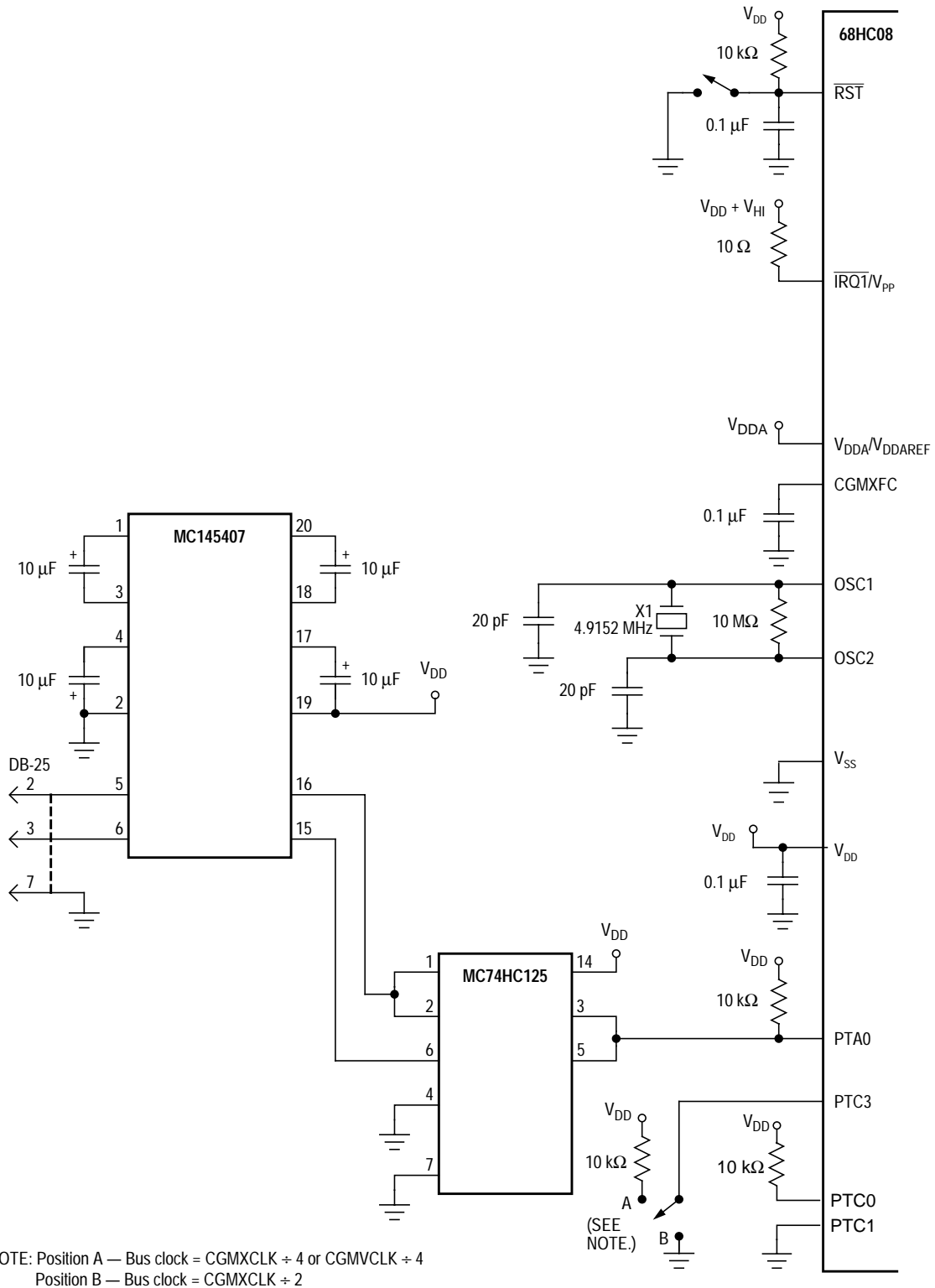


Figure 12-1. Monitor Mode Circuit

12.4.1 Entering Monitor Mode

Table 12-1 shows the pin conditions for entering monitor mode.

Table 12-1. Mode Selection

$\overline{\text{IRQ}}$ Pin	PTC0 Pin	PTC1 Pin	PTA0 Pin	PTC3 Pin	Mode	CGMOUT	Bus Frequency
$V_{\text{DD}} + V_{\text{HI}}^{(1)}$	1	0	1	1	Monitor	$\frac{\text{CGMXCLK}}{2}$ or $\frac{\text{CGMVCLK}}{2}$	$\frac{\text{CGMOUT}}{2}$
$V_{\text{DD}} + V_{\text{HI}}^{(1)}$	1	0	1	0	Monitor	CGMXCLK	$\frac{\text{CGMOUT}}{2}$

1. For V_{HI} , see [21.5 5.0-Volt DC Electrical Characteristics Control Timing](#) and [21.2 Maximum Ratings](#)

Enter monitor mode by either:

- Executing a software interrupt instruction (SWI) or
- Applying a logic 0 and then a logic 1 to the $\overline{\text{RST}}$ pin

The MCU sends a break signal (10 consecutive logic 0s) to the host computer, indicating that it is ready to receive a command. The break signal also provides a timing reference to allow the host to determine the necessary baud rate.

Monitor mode uses alternate vectors for reset, SWI, and break interrupt. The alternate vectors are in the \$FE page instead of the \$FF page and allow code execution from the internal monitor firmware instead of user code. The COP module is disabled in monitor mode as long as $V_{\text{DD}} + V_{\text{HI}}$ (see [21.5 5.0-Volt DC Electrical Characteristics Control Timing](#)) is applied to either the $\overline{\text{IRQ}}$ pin or the V_{DD} pin. (See [Section 9. System Integration Module \(SIM\)](#) for more information on modes of operation.)

NOTE: *Holding the PTC3 pin low when entering monitor mode causes a bypass of a divide-by-two stage at the oscillator. The CGMOUT frequency is equal to the CGMXCLK frequency, and the OSC1 input directly*

generates internal bus clocks. In this case, the OSC1 signal must have a 50% duty cycle at maximum bus frequency.

Table 12-2 is a summary of the differences between user mode and monitor mode.

Table 12-2. Mode Differences

Modes	Functions						
	COP	Reset Vector High	Reset Vector Low	Break Vector High	Break Vector Low	SWI Vector High	SWI Vector Low
User	Enabled	\$FFFE	\$FFFF	\$FFFC	\$FFFD	\$FFFC	\$FFFD
Monitor	Disabled ⁽¹⁾	\$FEFE	\$FEFF	\$FEFC	\$FEFD	\$FEFC	\$FEFD

1. If the high voltage ($V_{DD} + V_{HI}$) is removed from the \overline{IRQ}/V_{PP} pin while in monitor mode, the SIM asserts its COP enable output. The COP is a mask option enabled or disabled by the COPD bit in the configuration register. (See [21.5 5.0-Volt DC Electrical Characteristics Control Timing](#).)

12.4.2 Data Format

Communication with the monitor ROM is in standard non-return-to-zero (NRZ) mark/space data format. (See [Figure 12-2](#) and [Figure 12-3](#).)

The data transmit and receive rate can be anywhere from 4800 baud to 28.8 kBaud. Transmit and receive baud rates must be identical.

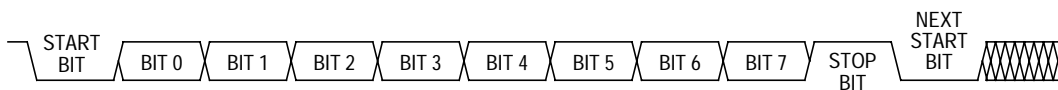


Figure 12-2. Monitor Data Format

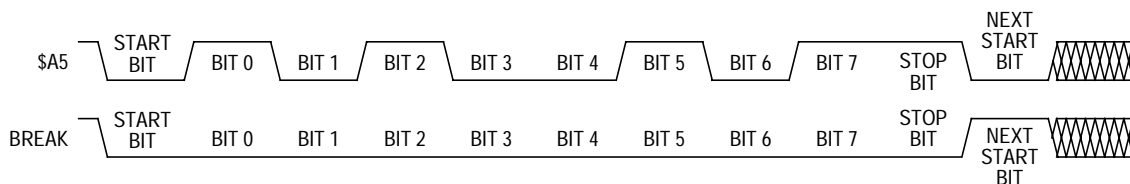


Figure 12-3. Sample Monitor Waveforms

12.4.3 Echoing

As shown in [Figure 12-4](#), the monitor ROM immediately echoes each received byte back to the PTA0 pin for error checking.

Any result of a command appears after the echo of the last byte of the command.

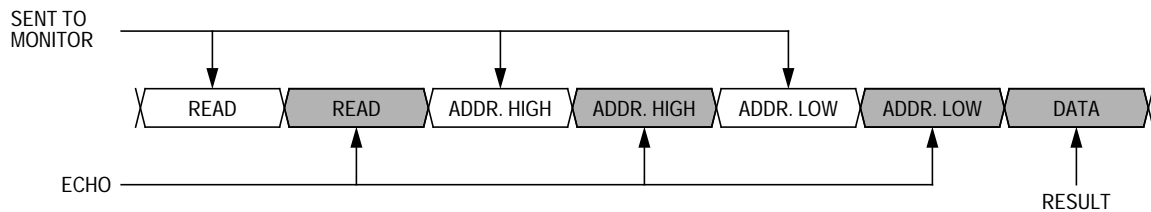


Figure 12-4. Read Transaction

12.4.4 Break Signal

A start bit followed by nine low bits is a break signal. (See [Figure 12-5](#).) When the monitor receives a break signal, it drives the PTA0 pin high for the duration of two bits before echoing the break signal.

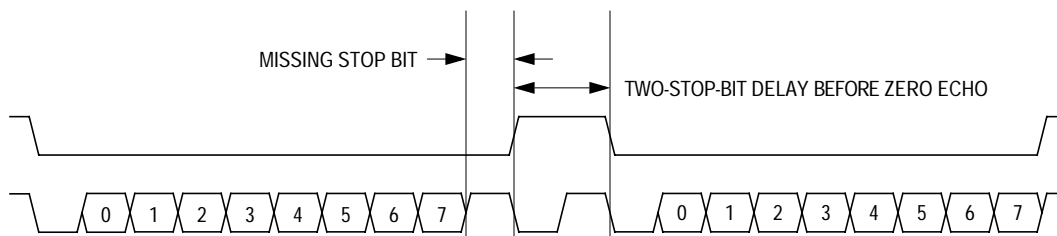


Figure 12-5. Break Transaction

12.4.5 Commands

The monitor ROM uses these commands:

- READ, read memory
- WRITE, write memory
- IREAD, indexed read
- IWRITE, indexed write
- READSP, read stack pointer
- RUN, run user program

A sequence of IREAD or IWRITE commands can access a block of memory sequentially over the full 64-Kbyte memory map.

Table 12-3. READ (Read Memory) Command

Description	Read byte from memory
Operand	Specifies 2-byte address in high byte:low byte order
Data Returned	Returns contents of specified address
Opcode	\$4A
Command Sequence	
<p>The diagram illustrates the command sequence for the READ command. It consists of seven data bytes: READ, READ, ADDR. HIGH, ADDR. HIGH, ADDR. LOW, ADDR. LOW, and DATA. Arrows indicate the flow of data: the first three bytes (READ, READ, ADDR. HIGH) are sent to the monitor. The next three bytes (ADDR. HIGH, ADDR. LOW, ADDR. LOW) are echoed back. The final byte (DATA) is the result.</p>	

Table 12-4. WRITE (Write Memory) Command

Description	Write byte to memory
Operand	Specifies 2-byte address in high byte:low byte order; low byte followed by data byte
Data Returned	None
Opcode	\$49
Command Sequence	

Table 12-5. IREAD (Indexed Read) Command

Description	Read next 2 bytes in memory from last address accessed
Operand	Specifies 2-byte address in high byte:low byte order
Data Returned	Returns contents of next two addresses
Opcode	\$1A
Command Sequence	

Table 12-6. IWRITE (Indexed Write) Command

Description	Write to last address accessed + 1
Operand	Specifies single data byte
Data Returned	None
Opcode	\$19
Command Sequence	

Table 12-7. READSP (Read Stack Pointer) Command

Description	Reads stack pointer
Operand	None
Data Returned	Returns stack pointer in high byte:low byte order
Opcode	\$0C
Command Sequence	

Table 12-8. RUN (Run User Program) Command

Description	Executes RTI instruction
Operand	None
Data Returned	None
Opcode	\$28
Command Sequence	

12.4.6 Baud Rate

With a 4.9152-MHz crystal and the PTC3 pin at logic 1 during reset, data is transferred between the monitor and host at 4800 baud. If the PTC3 pin is at logic 0 during reset, the monitor baud rate is 9600. When the CGM output, CGMOUT, is driven by the PLL, the baud rate is determined by the MUL[7:4] bits in the PLL programming register (PPG). (See [Section 8. Clock Generator Module \(CGM\)](#).)

Table 12-9. Monitor Baud Rate Selection

	VCO Frequency Multiplier (N)					
	1	2	3	4	5	6
Monitor Baud Rate (4.9152 MHz)	4800	9600	14,400	19,200	24,000	28,800
Monitor Baud Rate (4.194 MHz)	4096	8192	12,288	16,384	20,480	24,576

Section 13. Computer Operating Properly (COP)

13.1 Contents

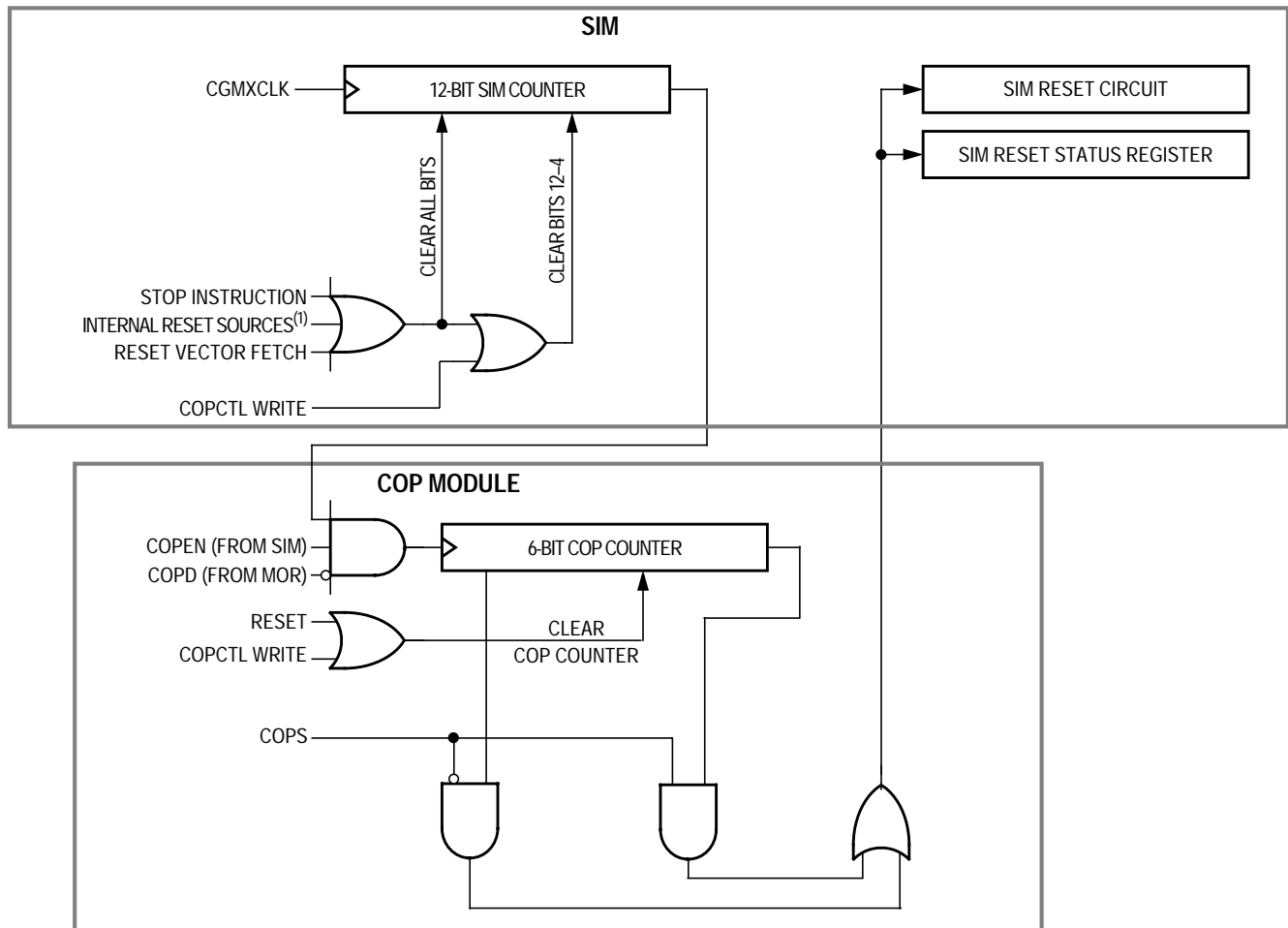
13.2	Introduction	169
13.3	Functional Description	170
13.4	I/O Signals	172
13.4.1	CGMXCLK	172
13.4.2	STOP Instruction	172
13.4.3	COPCTL Write	172
13.4.4	Internal Reset Resources	172
13.4.5	Reset Vector Fetch	172
13.4.6	COPD (COP Disable)	172
13.4.7	COPS (COP Short Timeout)	173
13.5	COP Control Register	173
13.6	Interrupts	173
13.7	Monitor Mode	173
13.8	Low-Power Modes	174
13.8.1	Wait Mode	174
13.8.2	Stop Mode	174
13.9	COP Module During Break Interrupts	174

13.2 Introduction

This section describes the computer operating properly (COP) module, a free-running counter that generates a reset if allowed to overflow. The COP module helps software recover from runaway code. Prevent a COP reset by periodically clearing the COP counter.

13.3 Functional Description

Figure 13-1 shows the structure of the COP module.



1. See 9.4.2 Active Resets from Internal Sources.

Figure 13-1. COP Block Diagram

The COP counter is a free-running 6-bit counter preceded by the 12-bit system integration module (SIM) counter. COP timeouts are determined strictly by the CGM crystal oscillator clock signal (CGMXCLK), not the CGMOUT signal (see [Figure 8-1. CGM Block Diagram](#)).

If not cleared by software, the COP counter overflows and generates an asynchronous reset after $(2^{13} - 2^4)$ or $(2^{18} - 2^4)$ CGMXCLK cycles, depending upon COPS bit in the MOR register (\$001F) (See [Section 5. Mask Options](#).) With a 4.9152-MHz crystal and the COPS bit in the MOR register (\$001F) set to a logic 1, the COP timeout period is approximately 53.3 ms. Writing any value to location \$FFFF before overflow occurs clears the COP counter, clears bits 12 through 4 of the SIM counter, and prevents reset. A CPU interrupt routine can be used to clear the COP.

NOTE: *The COP should be serviced as soon as possible out of reset and before entering or after exiting stop mode to guarantee the maximum selected amount of time before the first timeout.*

A COP reset pulls the $\overline{\text{RST}}$ pin low for 32 CGMXCLK cycles and sets the COP bit in the SIM reset status register (SRSR) (see [9.8.2 SIM Reset Status Register](#)).

While the microcontroller is in monitor mode, the COP module is disabled if the $\overline{\text{RST}}$ pin or the $\overline{\text{IRQ}}$ pin is held at $V_{\text{DD}} + V_{\text{HI}}$ (see [21.5 5.0-Volt DC Electrical Characteristics Control Timing](#)). During a break state, $V_{\text{DD}} + V_{\text{HI}}$ on the $\overline{\text{RST}}$ pin disables the COP module.

NOTE: *Place COP clearing instructions in the main program and not in an interrupt subroutine. Such an interrupt subroutine could keep the COP from generating a reset even while the main program is not working properly. The one exception to this is wait mode (see [13.8.1 Wait Mode](#)).*

13.4 I/O Signals

The following paragraphs describe the signals shown in [Figure 13-1](#).

13.4.1 CGMXCLK

CGMXCLK is the crystal oscillator output signal. CGMXCLK frequency is equal to the crystal frequency.

13.4.2 STOP Instruction

The STOP instruction clears the SIM counter.

13.4.3 COPCTL Write

Writing any value to the COP control register (COPCTL) (see [13.5 COP Control Register](#)) clears the COP counter and clears bits 12 through 4 of the SIM counter. Reading the COP control register returns the reset vector.

13.4.4 Internal Reset Resources

An internal reset clears the SIM counter and the COP counter. (See [9.4.2 Active Resets from Internal Sources](#).)

13.4.5 Reset Vector Fetch

A reset vector fetch occurs when the vector address appears on the data bus. A reset vector fetch clears the SIM counter.

13.4.6 COPD (COP Disable)

The COPD bit reflects the state of the COP disable bit (COPD) in the MOR register (\$001F). This signal disables COP-generated resets when asserted. (See [Section 5. Mask Options](#).)

13.4.7 COPS (COP Short Timeout)

The COPS bit selects the state of the COP short timeout bit (COPS) in the MOR register (\$001F). Timeout periods can be $(2^{18} - 2^4)$ or $(2^{13} - 2^4)$ CGMXCLK cycles. (See [5.4 Mask Option Register](#).)

13.5 COP Control Register

The COP control register is located at address \$FFFF and overlaps the reset vector. Writing any value to \$FFFF clears the COP counter and starts a new timeout period. Reading location \$FFFF returns the low byte of the reset vector.

Address:	\$FFFF							
	Bit 7	6	5	4	3	2	1	Bit 0
Read:	Low Byte of Reset Vector							
Write:	Clear COP Counter							
Reset:	Unaffected by Reset							

Figure 13-2. COP Control Register (COPCTL)

13.6 Interrupts

The COP does not generate CPU interrupt requests.

13.7 Monitor Mode

The COP is disabled in monitor mode when $V_{DD} + V_{HI}$ (see [21.5 5.0-Volt DC Electrical Characteristics Control Timing](#)) is present on the \overline{IRQ} pin or on the \overline{RST} pin.

13.8 Low-Power Modes

The following subsections describe the low-power modes.

13.8.1 Wait Mode

The COP continues to operate during wait mode. To prevent a COP reset during wait mode, periodically clear the COP counter in a CPU interrupt routine.

NOTE: *If the COP is enabled in wait mode, it must be periodically refreshed. (See [13.4.6 COPD \(COP Disable\)](#).)*

13.8.2 Stop Mode

Stop mode turns off the CGMXCLK input to the COP and clears the SIM counter. Service the COP immediately before entering or after exiting stop mode to ensure a full COP timeout period after entering or exiting stop mode.

The STOP bit in the MOR register (\$001F) (see [Section 5. Mask Options](#)) enables the STOP instruction. To prevent inadvertently turning off the COP with a STOP instruction, disable the STOP instruction by programming the STOP bit to logic 0.

13.9 COP Module During Break Interrupts

The COP is disabled during a break interrupt when $V_{DD} + V_{HI}$ (see [21.5 5.0-Volt DC Electrical Characteristics Control Timing](#)) is present on the \overline{RST} pin.

Section 14. External Interrupt (IRQ)

14.1 Contents

14.2	Introduction	175
14.3	Features	175
14.4	Functional Description	176
14.5	$\overline{\text{IRQ}}$ Pin	179
14.6	IRQ Module During Break Interrupts	180
14.7	IRQ Status and Control Register	180

14.2 Introduction

This section describes the non-maskable external interrupt (IRQ) input.

14.3 Features

Features of the IRQ include:

- Dedicated external interrupt pin ($\overline{\text{IRQ}}$)
- Hysteresis buffer
- Programmable edge-only or edge and level interrupt sensitivity
- Automatic interrupt acknowledge

14.4 Functional Description

A logic 0 applied to the external interrupt pin can latch a CPU interrupt request. **Figure 14-1** shows the structure of the IRQ module.

Interrupt signals on the $\overline{\text{IRQ}}$ pin are latched into the IRQ latch. An interrupt latch remains set until one of the following actions occurs:

- Vector fetch — A vector fetch automatically generates an interrupt acknowledge signal that clears the latch that caused the vector fetch.
- Software clear — Software can clear an interrupt latch by writing to the appropriate acknowledge bit in the interrupt status and control register (ISCR). Writing a logic 1 to the ACK bit clears the IRQ latch.
- Reset — A reset automatically clears both interrupt latches.

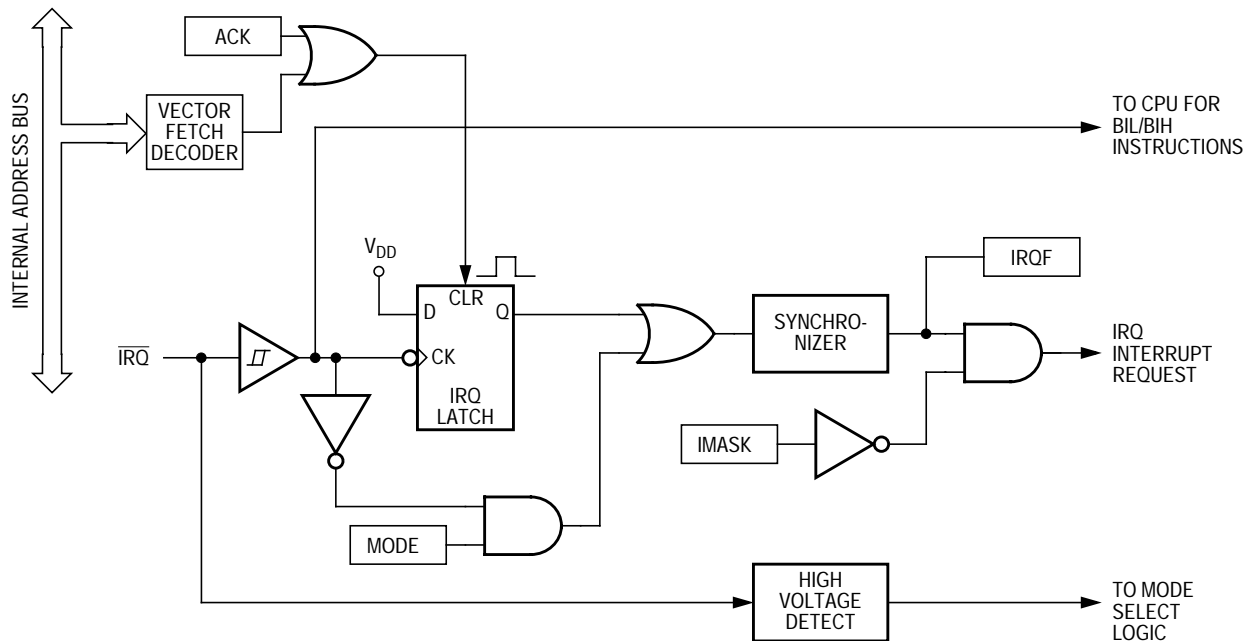


Figure 14-1. IRQ Block Diagram

Table 14-1. IRQ I/O Register Summary

Addr.	Register Name	Bit 7	6	5	4	3	2	1	Bit 0	
\$001A	IRQ Status/Control Register (ISCR)	Read:	0	0	0	0	IRQF	0	IMASK	MODE
		Write:	R	R	R	R	R	ACK		

R

 = Reserved

The external interrupt pin is falling-edge triggered and is software-configurable to be both falling-edge and low-level triggered. The MODE bit in the ISCR controls the triggering sensitivity of the \overline{IRQ} pin.

When an interrupt pin is edge-triggered only, the interrupt latch remains set until a vector fetch, software clear, or reset occurs.

When an interrupt pin is both falling-edge and low-level triggered, the interrupt latch remains set until both of the following occur:

- Vector fetch or software clear
- Return of the interrupt pin to logic 1

The vector fetch or software clear may occur before or after the interrupt pin returns to logic 1. As long as the pin is low, the interrupt request remains pending. A reset will clear the latch and the MODE control bit, thereby clearing the interrupt even if the pin stays low.

When set, the IMASK bit in the ISCR masks all external interrupt requests. A latched interrupt request is not presented to the interrupt priority logic unless the corresponding IMASK bit is clear.

NOTE: *The interrupt mask (I) in the condition code register (CCR) masks all interrupt requests, including external interrupt requests. (See [Figure 14-2](#).)*

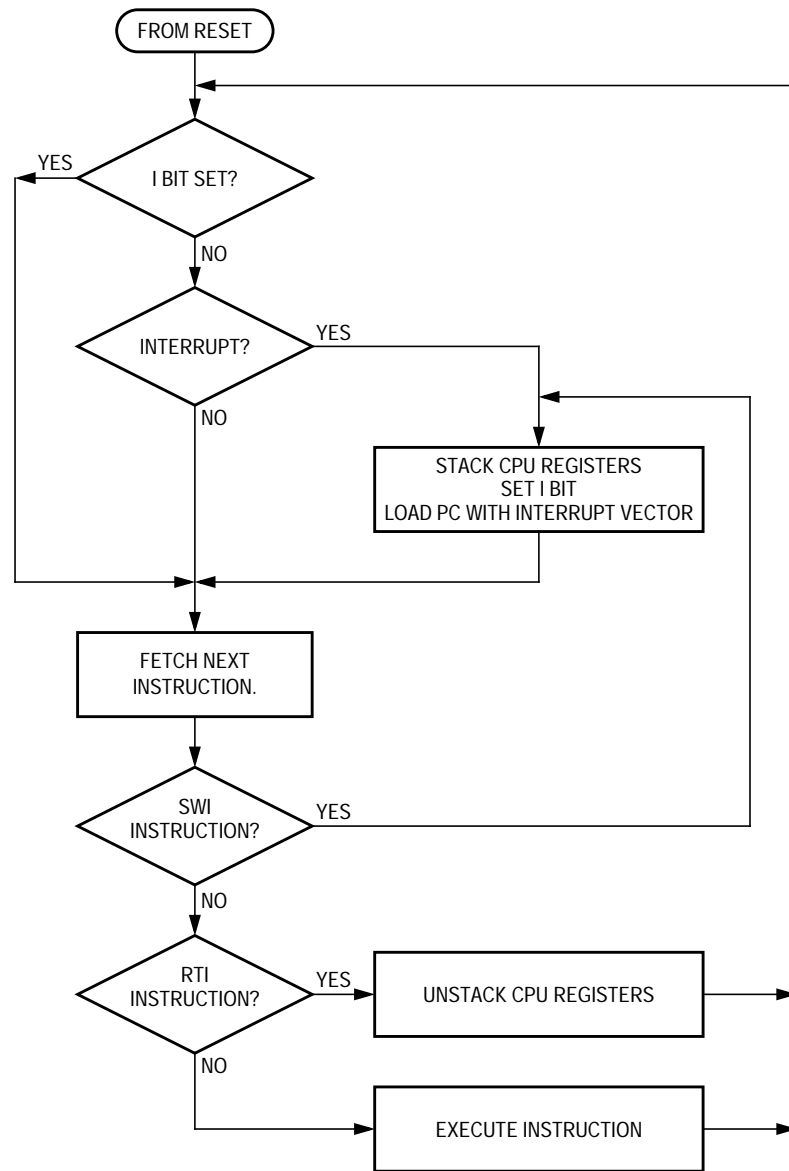


Figure 14-2. IRQ Interrupt Flowchart

14.5 $\overline{\text{IRQ}}$ Pin

A logic 0 on the $\overline{\text{IRQ}}$ pin can latch an interrupt request into the IRQ latch. A vector fetch, software clear, or reset clears the IRQ latch.

If the MODE bit is set, the $\overline{\text{IRQ}}$ pin is both falling-edge sensitive and low-level sensitive. With MODE set, both of the following actions must occur to clear the IRQ latch:

- Vector fetch or software clear — A vector fetch generates an interrupt acknowledge signal to clear the latch. Software may generate the interrupt acknowledge signal by writing a logic 1 to the ACK bit in the interrupt status and control register (ISCR). The ACK bit is useful in applications that poll the $\overline{\text{IRQ}}$ pin and require software to clear the IRQ latch. Writing to the ACK bit can also prevent spurious interrupts due to noise. Setting ACK does not affect subsequent transitions on the $\overline{\text{IRQ}}$ pin. A falling edge on $\overline{\text{IRQ}}$ that occurs after writing to the ACK bit latches another interrupt request. If the IRQ mask bit, IMASK, is clear, the CPU loads the program counter with the vector address at locations \$FFFA and \$FFFB.
- Return of the $\overline{\text{IRQ}}$ pin to logic 1 — As long as the $\overline{\text{IRQ}}$ pin is at logic 0, the IRQ latch remains set.

The vector fetch or software clear and the return of the $\overline{\text{IRQ}}$ pin to logic 1 can occur in any order. The interrupt request remains pending as long as the $\overline{\text{IRQ}}$ pin is at logic 0. A reset will clear the latch and the MODE control bit, thereby clearing the interrupt even if the pin stays low.

If the MODE bit is clear, the $\overline{\text{IRQ}}$ pin is falling-edge sensitive only. With MODE clear, a vector fetch or software clear immediately clears the IRQ latch.

The IRQF bit in the ISCR register can be used to check for pending interrupts. The IRQF bit is not affected by the IMASK bit, which makes it useful in applications where polling is preferred.

Use the BIH or BIL instruction to read the logic level on the $\overline{\text{IRQ}}$ pin.

NOTE: *When using the level-sensitive interrupt trigger, avoid false interrupts by masking interrupt requests in the interrupt routine.*

14.6 IRQ Module During Break Interrupts

The system integration module (SIM) controls whether the IRQ interrupt latch can be cleared during the break state. The BCFE bit in the SIM break flag control register (SBFCR) enables software to clear the latches during the break state. (See [9.8.3 SIM Break Flag Control Register](#).)

To allow software to clear the IRQ latch during a break interrupt, write a logic 1 to the BCFE bit. If a latch is cleared during the break state, it remains cleared when the MCU exits the break state.

To protect the latch during the break state, write a logic 0 to the BCFE bit. With BCFE at logic 0 (its default state), writing to the ACK bit in the IRQ status and control register during the break state has no effect on the IRQ latch.

14.7 IRQ Status and Control Register

The IRQ status and control register (ISCR) controls and monitors operation of the IRQ module. The ISCR:

- Shows the state of the IRQ interrupt flag
- Clears the IRQ interrupt latch
- Masks IRQ interrupt request
- Controls triggering sensitivity of the $\overline{\text{IRQ}}$ interrupt pin

Address: \$001A

	Bit 7	6	5	4	3	2	1	Bit 0
Read:	0	0	0	0	IRQF	0	IMASK	MODE
Write:	R	R	R	R	R	ACK		
Reset:	0	0	0	0	0	0	0	0

R = Reserved

Figure 14-3. IRQ Status and Control Register (ISCR)

IRQF — $\overline{\text{IRQ}}$ Flag Bit

This read-only status bit is high when the IRQ interrupt is pending.

- 1 = $\overline{\text{IRQ}}$ interrupt pending
- 0 = $\overline{\text{IRQ}}$ interrupt not pending

ACK — $\overline{\text{IRQ}}$ Interrupt Request Acknowledge Bit

Writing a logic 1 to this write-only bit clears the IRQ latch. ACK always reads as logic 0. Reset clears ACK.

IMASK — $\overline{\text{IRQ}}$ Interrupt Mask Bit

Writing a logic 1 to this read/write bit disables IRQ interrupt requests. Reset clears IMASK.

- 1 = $\overline{\text{IRQ}}$ interrupt requests disabled
- 0 = $\overline{\text{IRQ}}$ interrupt requests enabled

MODE — $\overline{\text{IRQ}}$ Edge/Level Select Bit

This read/write bit controls the triggering sensitivity of the $\overline{\text{IRQ}}$ pin. Reset clears MODE.

- 1 = $\overline{\text{IRQ}}$ interrupt requests on falling edges and low levels
- 0 = $\overline{\text{IRQ}}$ interrupt requests on falling edges only

Section 15. Input/Output (I/O) Ports

15.1 Contents

15.2	Introduction	184
15.3	Port A	185
15.3.1	Port A Data Register	185
15.3.2	Data Direction Register A	186
15.4	Port B	188
15.4.1	Port B Data Register	188
15.4.2	Data Direction Register B	189
15.5	Port C	191
15.5.1	Port C Data Register	191
15.5.2	Data Direction Register C	192
15.6	Port D	194
15.6.1	Port D Data Register	194
15.6.2	Data Direction Register D	195
15.7	Port E	197
15.7.1	Port E Data Register	197
15.7.2	Data Direction Register E	199
15.8	Port F	201
15.8.1	Port F Data Register	201
15.8.2	Data Direction Register F	202

15.2 Introduction

Forty bidirectional input/output (I/O) pins form six parallel ports. All I/O pins are programmable as inputs or outputs.

NOTE: *Connect any unused I/O pins to an appropriate logic level, either V_{DD} or V_{SS} . Although the I/O ports do not require termination for proper operation, termination reduces excess current consumption and the possibility of electrostatic damage.*

Table 15-1. I/O Port Register Summary

Addr.	Register Name	Bit 7	6	5	4	3	2	1	Bit 0
\$0000	Port A Data Register (PTA)	PTA7	PTA6	PTA5	PTA4	PTA3	PTA2	PTA1	PTA0
\$0001	Port B Data Register (PTB)	PTB7	PTB6	PTB5	PTB4	PTB3	PTB2	PTB1	PTB0
\$0002	Port C Data Register (PTC)	0	0	0	PTC4	PTC3	PTC2	PTC1	PTC0
\$0003	Port D Data Register (PTD)	0	PTD6	PTD5	PTD4	PTD3	PTD2	PTD1	PTD0
\$0004	Data Direction Register A (DDRA)	DDRA7	DDRA6	DDRA5	DDRA4	DDRA3	DDRA2	DDRA1	DDRA0
\$0005	Data Direction Register B (DDRB)	DDRB7	DDRB6	DDRB5	DDRB4	DDRB3	DDRB2	DDRB1	DDRB0
\$0006	Data Direction Register C (DDRC)	MCLKEN	0	0	DDRC4	DDRC3	DDRC2	DDRC1	DDRC0
\$0007	Data Direction Register D (DDRD)	0	DDRD6	DDRD5	DDRD4	DDRD3	DDRD2	DDRD1	DDRD0
\$0008	Port E Data Register (PTE)	PTE7	PTE6	PTE5	PTE4	PTE3	PTE2	PTE1	PTE0
\$0009	Port F Data Register (PTF)	0	0	0	0	PTF3	PTF2	PTF1	PTF0
\$000C	Data Direction Register E (DDRE)	DDRE7	DDRE6	DDRE5	DDRE4	DDRE3	DDRE2	DDRE1	DDRE0
\$000D	Data Direction Register F (DDRF)	0	0	0	0	DDRF3	DDRF2	DDRF1	DDRF0

15.3 Port A

Port A is an 8-bit general-purpose bidirectional I/O port.

15.3.1 Port A Data Register

The port A data register contains a data latch for each of the eight port A pins.

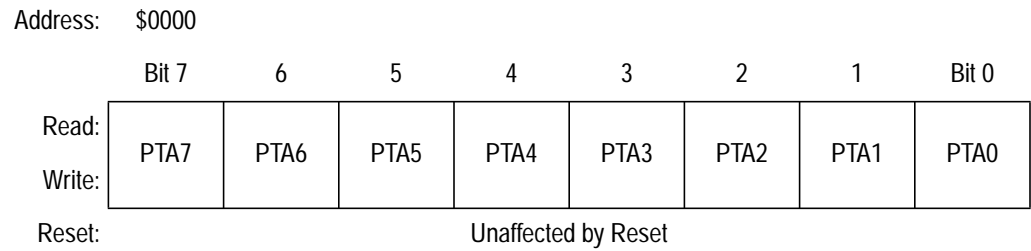


Figure 15-1. Port A Data Register (PTA)

PTA[7:0] — Port A Data Bits

These read/write bits are software programmable. Data direction of each port A pin is under the control of the corresponding bit in data direction register A. Reset has no effect on port A data.

15.3.2 Data Direction Register A

Data direction register A determines whether each port A pin is an input or an output. Writing a logic 1 to a DDRA bit enables the output buffer for the corresponding port A pin; a logic 0 disables the output buffer.

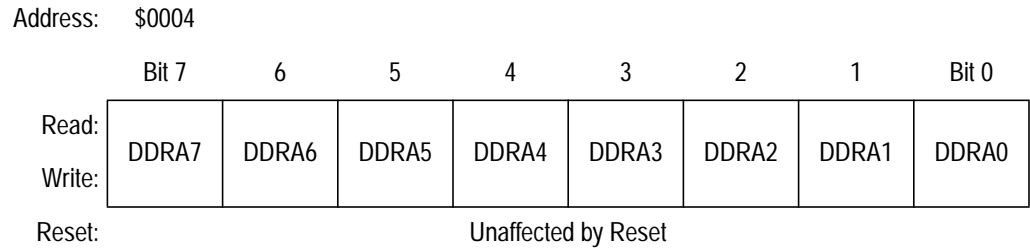


Figure 15-2. Data Direction Register A (DDRA)

DDRA[7:0] — Data Direction Register A Bits

These read/write bits control port A data direction. Reset clears DDRA[7:0], configuring all port A pins as inputs.

1 = Corresponding port A pin configured as output

0 = Corresponding port A pin configured as input

NOTE: Avoid glitches on port A pins by writing to the port A data register before changing data direction register A bits from 0 to 1.

Figure 15-3 shows the port A I/O logic.

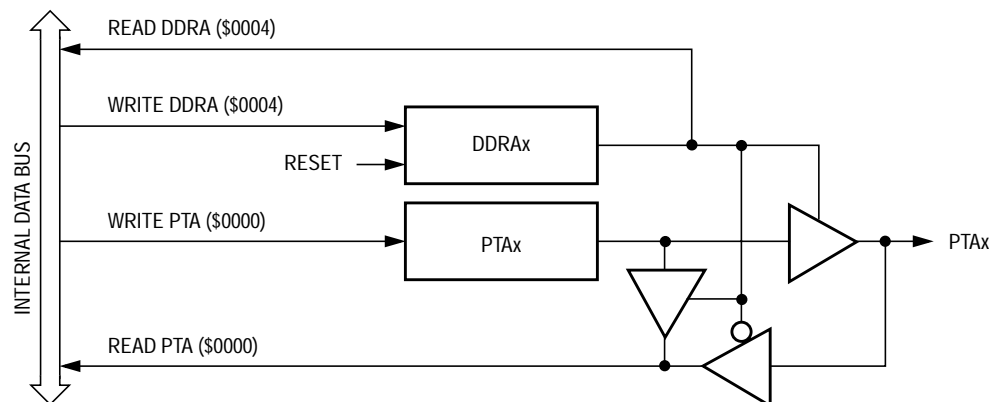


Figure 15-3. Port A I/O Circuit

When bit DDRAx is a logic 1, reading address \$0000 reads the PTAx data latch. When bit DDRAx is a logic 0, reading address \$0000 reads the voltage level on the pin. The data latch can always be written, regardless of the state of its data direction bit. [Table 15-2](#) summarizes the operation of the port A pins.

Table 15-2. Port A Pin Functions

DDRA Bit	PTA Bit	I/O Pin Mode	Accesses to DDRA	Accesses to PTA	
			Read/Write	Read	Write
0	X	Input, Hi-Z	DDRA[7:0]	Pin	PTA[7:0] ⁽¹⁾
1	X	Output	DDRA[7:0]	PTA[7:0]	PTA[7:0]

X = Don't Care

Hi-Z = High Impedance

1. Writing affects data register, but does not affect input.

15.4 Port B

Port B is an 8-bit special-function port that shares all of its pins with the analog-to-digital converter (ADC).

15.4.1 Port B Data Register

The port B data register contains a data latch for each of the eight port B pins.

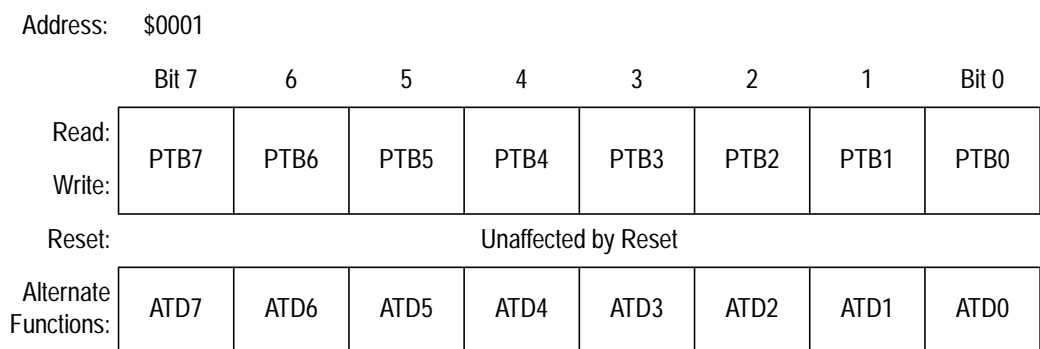


Figure 15-4. Port B Data Register (PTB)

PTB[7:0] — Port B Data Bits

These read/write bits are software programmable. Data direction of each port B pin is under the control of the corresponding bit in data direction register B. Reset has no effect on port B data.

ATD[7:0] — ADC Channels

PTB7/ATD7–PTB0/ATD0 are eight of the 15 analog-to-digital converter channels. The ADC channel select bits, CH[4:0], determine whether the PTB7/ATD7–PTB0/ATD0 pins are ADC channels or general-purpose I/O pins. If an ADC channel is selected and a read of this corresponding bit in the port B data register occurs, the data will be 0 if the data direction for this bit is programmed as an input. Otherwise, the data will reflect the value in the data latch. (See [Section 19. Analog-to-Digital Converter \(ADC\)](#).) Data direction register B (DDRB) does not affect the data direction of port B pins that are being used by the ADC. However, the DDRB bits always determine whether reading port B returns to the states of the latches or logic 0.

15.4.2 Data Direction Register B

Data direction register B determines whether each port B pin is an input or an output. Writing a logic 1 to a DDRB bit enables the output buffer for the corresponding port B pin; a logic 0 disables the output buffer.

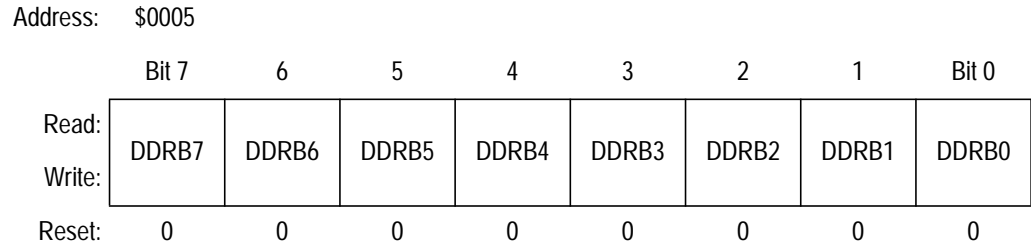


Figure 15-5. Data Direction Register B (DDRB)

DDRB[7:0] — Data Direction Register B Bits

These read/write bits control port B data direction. Reset clears DDRB[7:0], configuring all port B pins as inputs.

1 = Corresponding port B pin configured as output

0 = Corresponding port B pin configured as input

NOTE: Avoid glitches on port B pins by writing to the port B data register before changing data direction register B bits from 0 to 1.

Figure 15-6 shows the port B I/O logic.

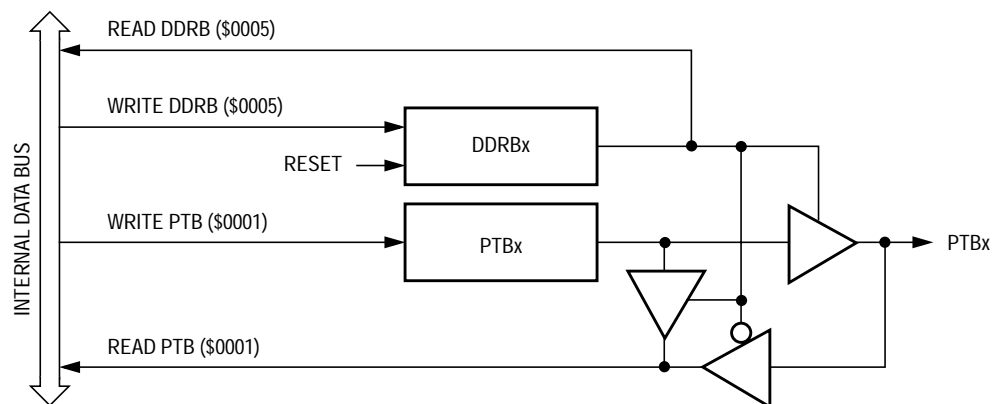


Figure 15-6. Port B I/O Circuit

When bit DDRBx is a logic 1, reading address \$0001 reads the PTBx data latch. When bit DDRBx is a logic 0, reading address \$0001 reads the voltage level on the pin, or logic 0 if that particular bit is in use by the ADC. The data latch can always be written, regardless of the state of its data direction bit. [Table 15-3](#) summarizes the operation of the port B pins.

Table 15-3. Port B Pin Functions

DDRB Bit	PTB Bit	Bit in Use by ADC	I/O Pin Mode	Accesses to DDRB	Accesses to PTB	
				Read/Write	Read	Write
0	X	No	Input, Hi-Z	DDRB[7:0]	Pin	PTB[7:0] ⁽¹⁾
1	X	No	Output	DDRB[7:0]	PTB[7:0]	PTB[7:0]
0	X	Yes	Input, Hi-Z	DDRB[7:0]	0	PTB[7:0] ⁽¹⁾
1	X	Yes	Input, Hi-Z	DDRB[7:0]	PTB[7:0]	PTB[7:0]

X = Don't Care

Hi-Z = High Impedance

1. Writing affects data register, but does not affect input.

15.5 Port C

Port C is a 5-bit general-purpose bidirectional I/O port that shares one of its pins with the bus clock (MCLK).

15.5.1 Port C Data Register

The port C data register contains a data latch for each of the five port C pins.

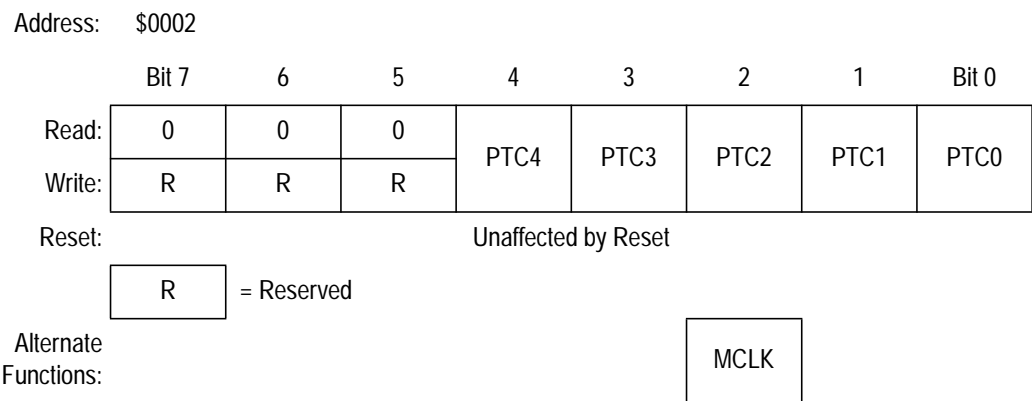


Figure 15-7. Port C Data Register (PTC)

PTC[4:0] — Port C Data Bits

These read/write bits are software-programmable. Data direction of each port C pin is under the control of the corresponding bit in data direction register C. Reset has no effect on port C data.

MCLK — T12 System Bus Clock Bit

The bus clock (MCLK) is driven out of PTC2 when enabled by the MCLKEN bit in PTCDDR7.

15.5.2 Data Direction Register C

Data direction register C determines whether each port C pin is an input or an output. Writing a logic 1 to a DDRC bit enables the output buffer for the corresponding port C pin; a logic 0 disables the output buffer.

Address: \$0006

	Bit 7	6	5	4	3	2	1	Bit 0
Read:	MCLKEN	0	0	DDRC4	DDRC3	DDRC2	DDRC1	DDRC0
Write:	MCLKEN	R	R	DDRC4	DDRC3	DDRC2	DDRC1	DDRC0
Reset:	0	0	0	0	0	0	0	0

R = Reserved

Figure 15-8. Data Direction Register C (DDRC)

MCLKEN — MCLK Enable Bit

This read/write bit enables MCLK to be an output signal on PTC2. If MCLK is enabled, PTC2 is under the control of MCLKEN. Reset clears this bit.

- 1 = MCLK output enabled
- 0 = MCLK output disabled

DDRC[4:0] — Data Direction Register C Bits

These read/write bits control port C data direction. Reset clears DDRC[7:0], configuring all port C pins as inputs.

- 1 = Corresponding port C pin configured as output
- 0 = Corresponding port C pin configured as input

NOTE: *Avoid glitches on port C pins by writing to the port C data register before changing data direction register C bits from 0 to 1.*

Figure 15-9 shows the port C I/O logic.

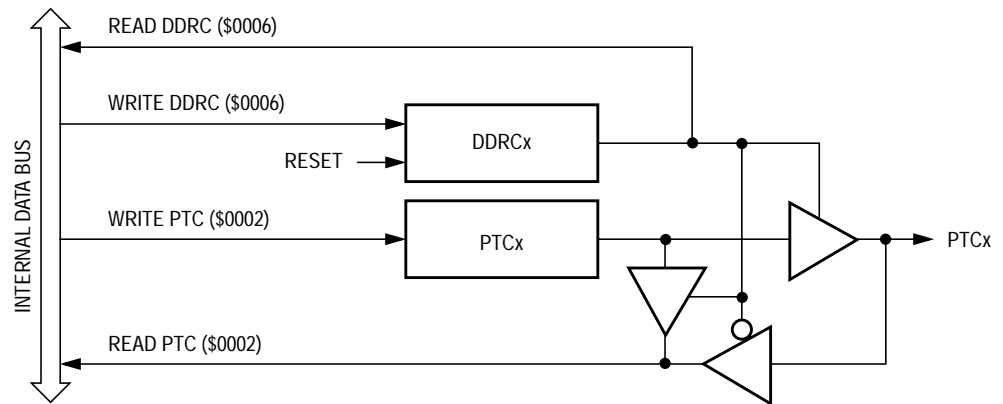


Figure 15-9. Port C I/O Circuit

When bit DDRCx is a logic 1, reading address \$0002 reads the PTCx data latch. When bit DDRCx is a logic 0, reading address \$0002 reads the voltage level on the pin. The data latch can always be written, regardless of the state of its data direction bit. [Table 15-4](#) summarizes the operation of the port C pins.

Table 15-4. Port C Pin Functions

DDRC Bit	PTC Bit	I/O Pin Mode	Accesses to DDRC	Accesses to PTC	
			Read/Write	Read	Write
[7] = 0	PTC2	Input, Hi-Z	DDRC[7]	0	PTC2
[7] = 1	PTC2	Output, MCLK	DDRC[7]	Data Latch	—
0	X	Input, Hi-Z	DDRC[4:0]	Pin	PTC[4:3, 1:0] ⁽¹⁾
1	X	Output	DDRC[4:0]	PTC[4:0]	PTC[4:3, 1:0]

X = Don't Care

Hi-Z = High Impedance

1. Writing affects data register, but does not affect input.

15.6 Port D

Port D is an 8-bit special-function I/O port that shares all of its pins with the analog-to-digital converter (ADC).

15.6.1 Port D Data Register

The port D data register contains a data latch for the seven port D pins.

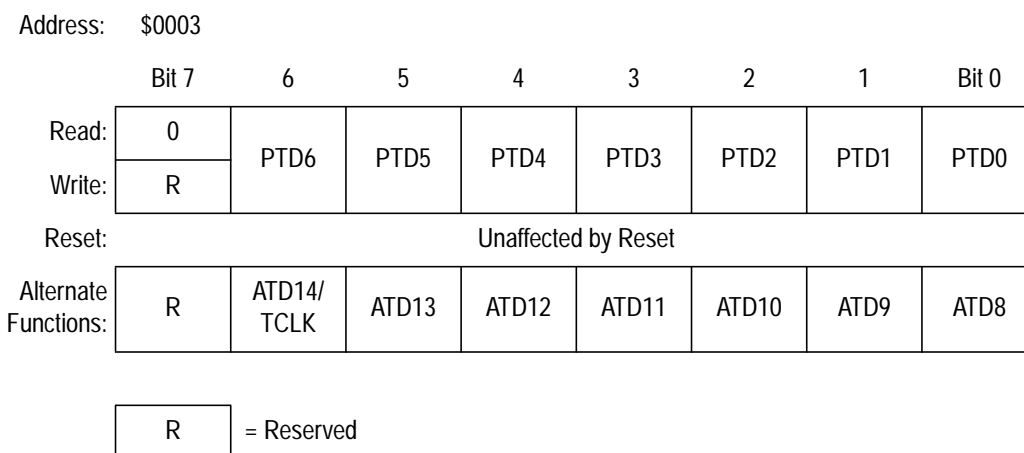


Figure 15-10. Port D Data Register (PTD)

PTD[6:0] — Port D Data Bits

PTD[6:0] are read/write, software programmable bits. Data direction of PTD[6:0] pins are under the control of the corresponding bit in data direction register D.

ATD[14:8] — ADC Channel Status Bits

PTD6/ATD14/TCLK–PTD0/ATD8 are seven of the 15 analog-to-digital converter channels. The ADC channel select bits, CH[4:0], determine whether the PTD6/ATD14/TCLK–PTD0/ATD8 pins are ADC channels or general-purpose I/O pins. If an ADC channel is selected and a read of this corresponding bit in the port B data register occurs, the data will be 0 if the data direction for this bit is programmed as an input. Otherwise, the data will reflect the value in the data latch. (See [Section 19. Analog-to-Digital Converter \(ADC\)](#).)

NOTE: *Data direction register D (DDRD) does not affect the data direction of port D pins that are being used by the ADC. However, the DDRD bits always determine whether reading port D returns the states of the latches or logic 0.*

TCLK — Timer Clock Input Bit

The PTD6/ATD14/TCLK pin is the external clock input for the TIM. The prescaler select bits, PS[2:0], select PTD6/ATD14/TCLK as the TIM clock input. (See [16.9.1 TIM Status and Control Register](#).) When not selected as the TIM clock, PTD6/ATD14/TCLK is available for general-purpose I/O or as an ADC channel.

NOTE: *Do not use ADC channel ATD14 when using the PTD6/ATD14/TCLK pin as the clock input for the TIM.*

15.6.2 Data Direction Register D

Data direction register D determines whether each port D pin is an input or an output. Writing a logic 1 to a DDRD bit enables the output buffer for the corresponding port D pin; a logic 0 disables the output buffer.

Address: \$0007

	Bit 7	6	5	4	3	2	1	Bit 0
Read:	0	DDRD6	DDRD5	DDRD4	DDRD3	DDRD2	DDRD1	DDRD0
Write:	0							
Reset:	0	0	0	0	0	0	0	0

Figure 15-11. Data Direction Register D (DDRD)

DDRD[6:0] — Data Direction Register D Bits

These read/write bits control port D data direction. Reset clears DDRD[6:0], configuring all port D pins as inputs.

1 = Corresponding port D pin configured as output

0 = Corresponding port D pin configured as input

NOTE: *Avoid glitches on port D pins by writing to the port D data register before changing data direction register D bits from 0 to 1.*

Figure 15-12 shows the port D I/O logic.

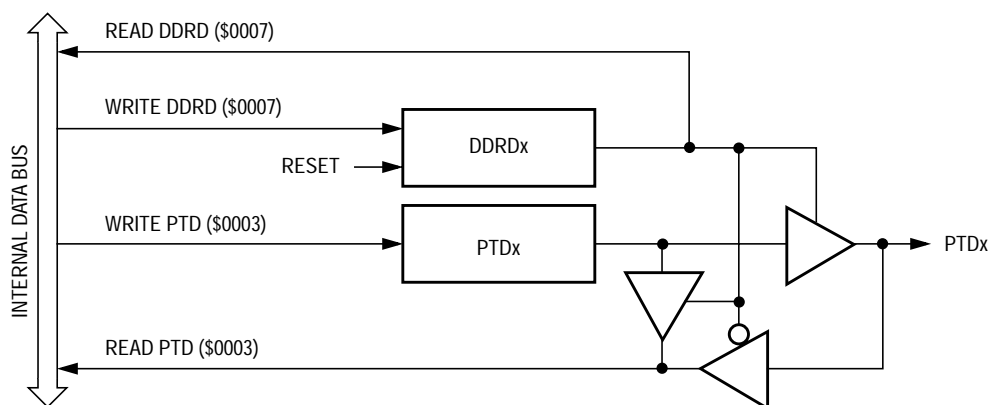


Figure 15-12. Port D I/O Circuit

When bit DDRDx is a logic 1, reading address \$0003 reads the PTDx data latch. When bit DDRDx is a logic 0, reading address \$0003 reads the voltage level on the pin. The data latch can always be written, regardless of the state of its data direction bit. Table 15-5 summarizes the operation of the port D pins.

Table 15-5. Port D Pin Functions

DDRD Bit	PTD Bit	Bit in Use by ADC	I/O Pin Mode	Accesses to DDRD	Accesses to PTD	
				Read/Write	Read	Write
0	X	No	Input, Hi-Z	DDRD[6:0]	Pin	PTD[6:0] ⁽¹⁾
1	X	No	Output	DDRD[6:0]	PTD[6:0]	PTD[6:0]
0	X	Yes	Input, Hi-Z	DDRD[6:0]	0	PTD[6:0] ⁽¹⁾
1	X	Yes	Input, Hi-Z	DDRD[6:0]	PTD[6:0]	PTD[6:0]

X = Don't Care

Hi-Z = High Impedance

1. Writing affects data register, but does not affect input.

15.7 Port E

Port E is an 8-bit special-function port that shares two of its pins with the timer interface module (TIM), two of its pins with the serial communications interface module (SCI), and four of its pins with the serial peripheral interface module (SPI).

15.7.1 Port E Data Register

The port E data register contains a data latch for each of the eight port E pins.

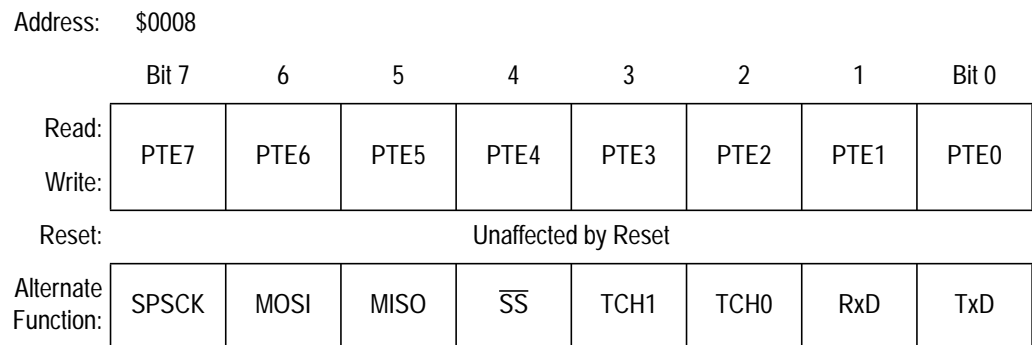


Figure 15-13. Port E Data Register (PTE)

PTE[7:0] — Port E Data Bits

PTE[7:0] are read/write, software programmable bits. Data direction of each port E pin is under the control of the corresponding bit in data direction register E.

SPSCK — SPI Serial Clock Bit

The PTE7/SPSCK pin is the serial clock input of an SPI slave module and serial clock output of an SPI master module. When the SPE bit is clear, the PTE7/SPSCK pin is available for general-purpose I/O.

MOSI — Master Out/Slave In Bit

The PTE6/MOSI pin is the master out/slave in terminal of the SPI module. When the SPE bit is clear, the PTE6/MOSI pin is available for general-purpose I/O. (See [18.14.1 SPI Control Register](#).)

MISO — Master In/Slave Out Bit

The PTE5/MISO pin is the master in/slave out terminal of the SPI module. When the SPI enable bit, SPE, is clear, the SPI module is disabled, and the PTE5/MISO pin is available for general-purpose I/O. (See [18.14.1 SPI Control Register](#).)

\overline{SS} — Slave Select Bit

The PTE4/ \overline{SS} pin is the slave select input of the SPI module. When the SPE bit is clear or when the SPI master bit, SPMSTR, is set and MODFEN bit is low, the PTE4/ \overline{SS} pin is available for general-purpose I/O. (See [18.13.4 SS \(Slave Select\)](#).) When the SPI is enabled as a slave, the DDRE4 bit in data direction register E (DDRE) has no effect on the PTE4/ \overline{SS} pin.

NOTE: *Data direction register E (DDRE) does not affect the data direction of port E pins that are being used by the SPI module. However, the DDRE bits always determine whether reading port E returns the states of the latches or the states of the pins. (See [Table 15-6](#).)*

TCH[1:0] — Timer Channel I/O Bits

The PTE3/TCH1–PTE2/TCH0 pins are the TIM input capture/output compare pins. The edge/level select bits, ELSxB:ELSxA, determine whether the PTE3/TCH1–PTE2/TCH0 pins are timer channel I/O pins or general-purpose I/O pins. (See [16.9.4 TIM Channel Status and Control Registers](#).)

NOTE: *Data direction register E (DDRE) does not affect the data direction of port E pins that are being used by the TIM. However, the DDRE bits always determine whether reading port E returns the states of the latches or the states of the pins. (See [Table 15-6](#).)*

RxD — SCI Receive Data Input Bit

The PTE1/RxD pin is the receive data input for the SCI module. When the enable SCI bit, ENSCI, is clear, the SCI module is disabled, and the PTE1/RxD pin is available for general-purpose I/O. (See [17.9.1 SCI Control Register 1](#).)

TxD — SCI Transmit Data Output

The PTE0/TxD pin is the transmit data output for the SCI module. When the enable SCI bit, ENSCI, is clear, the SCI module is disabled, and the PTE0/TxD pin is available for general-purpose I/O. (See [17.9.1 SCI Control Register 1](#).)

NOTE: *Data direction register E (DDRE) does not affect the data direction of port E pins that are being used by the SCI module. However, the DDRE bits always determine whether reading port E returns the states of the latches or the states of the pins. (See [Table 15-6](#).)*

15.7.2 Data Direction Register E

Data direction register E determines whether each port E pin is an input or an output. Writing a logic 1 to a DDRE bit enables the output buffer for the corresponding port E pin; a logic 0 disables the output buffer.

Address: \$000C

	Bit 7	6	5	4	3	2	1	Bit 0
Read:	DDRE7	DDRE6	DDRE5	DDRE4	DDRE3	DDRE2	DDRE1	DDRE0
Write:								
Reset:	0	0	0	0	0	0	0	0

Figure 15-14. Data Direction Register E (DDRE)

DDRE[7:0] — Data Direction Register E Bits

These read/write bits control port E data direction. Reset clears DDRE[7:0], configuring all port E pins as inputs.

1 = Corresponding port E pin configured as output

0 = Corresponding port E pin configured as input

NOTE: *Avoid glitches on port E pins by writing to the port E data register before changing data direction register E bits from 0 to 1.*

[Figure 15-15](#) shows the port E I/O logic.

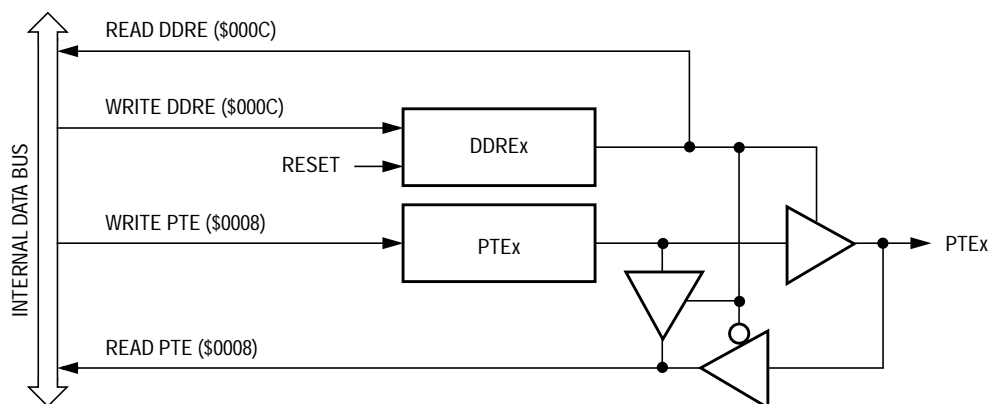


Figure 15-15. Port E I/O Circuit

When bit DDREx is a logic 1, reading address \$0008 reads the PTEx data latch. When bit DDREx is a logic 0, reading address \$0008 reads the voltage level on the pin. The data latch can always be written, regardless of the state of its data direction bit. [Table 15-6](#) summarizes the operation of the port E pins.

Table 15-6. Port E Pin Functions

DDRE Bit	PTE Bit	I/O Pin Mode	Accesses to DDRE	Accesses to PTE	
			Read/Write	Read	Write
0	X	Input, Hi-Z	DDRE[7:0]	Pin	PTE[7:0] ⁽¹⁾
1	X	Output	DDRE[7:0]	PTE[7:0]	PTE[7:0]

X = Don't Care

Hi-Z = High Impedance

1. Writing affects data register, but does not affect input.

15.8 Port F

Port F is a 4-bit special-function port that shares four of its pins with the timer interface module (TIM).

15.8.1 Port F Data Register

The port F data register contains a data latch for each of the four port F pins.

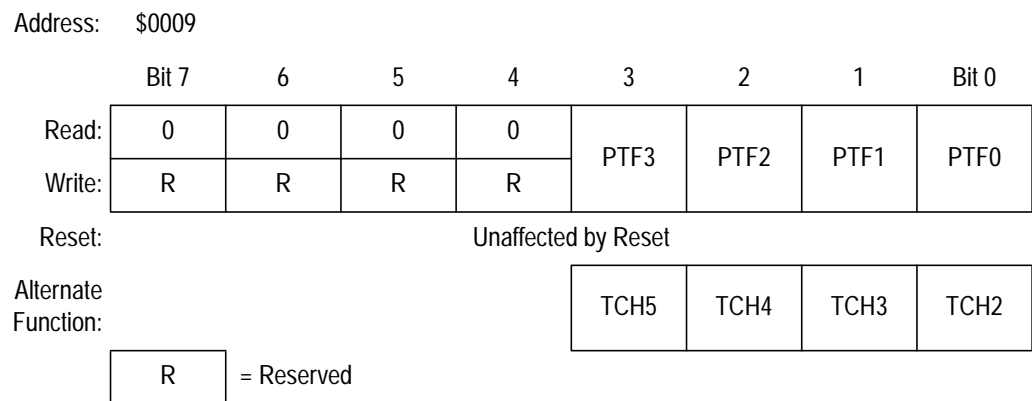


Figure 15-16. Data Direction Register F (DDRF)

PTF[3:0] — Port F Data Bits

These read/write bits are software programmable. Data direction of each port F pin is under the control of the corresponding bit in data direction register F. Reset has no effect on PTF[3:0].

TCH[5:2] — Timer Channel I/O Bits

The PTF3/TCH5–PTF0/TCH2 pins are the TIM input capture/output compare pins. The edge/level select bits, ELSxB–ELSxA, determine whether the PTF3/TCH5–PTF0/TCH2 pins are timer channel I/O pins or general-purpose I/O pins. (See [16.9.4 TIM Channel Status and Control Registers](#).)

NOTE: *Data direction register F (DDRF) does not affect the data direction of port F pins that are being used by the TIM. However, the DDRF bits always determine whether reading port F returns the states of the latches or the states of the pins. (See [Table 15-7](#).)*

15.8.2 Data Direction Register F

Data direction register F determines whether each port F pin is an input or an output. Writing a logic 1 to a DDRF bit enables the output buffer for the corresponding port F pin; a logic 0 disables the output buffer.

Address: \$000D

	Bit 7	6	5	4	3	2	1	Bit 0
Read:	0	0	0	0	DDRF3	DDRF2	DDRF1	DDRF0
Write:	R	R	R	R				
Reset:	0	0	0	0	0	0	0	0

R = Reserved

Figure 15-17. Data Direction Register F (DDRF)

DDRF[3:0] — Data Direction Register F Bits

These read/write bits control port F data direction. Reset clears DDRF[3:0], configuring all port F pins as inputs.

- 1 = Corresponding port F pin configured as output
- 0 = Corresponding port F pin configured as input

NOTE: *Avoid glitches on port F pins by writing to the port F data register before changing data direction register F bits from 0 to 1.*

Figure 15-18 shows the port F I/O logic.

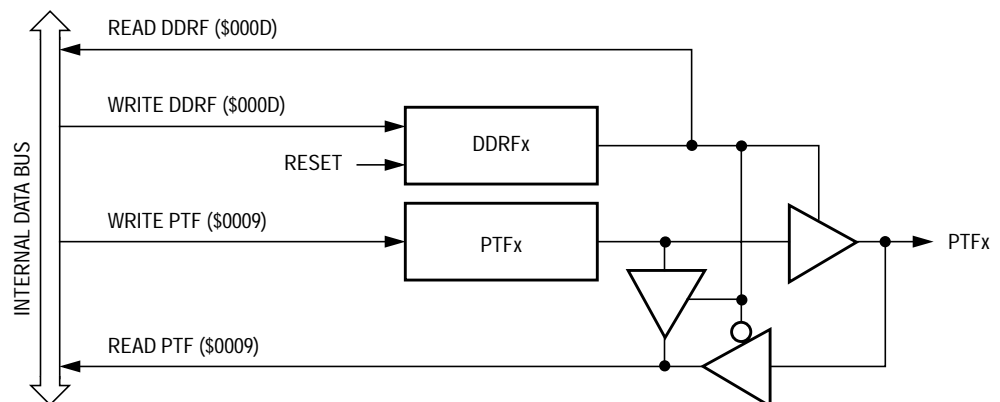


Figure 15-18. Port F I/O Circuit

When bit DDRFx is a logic 1, reading address \$0009 reads the PTFx data latch. When bit DDRFx is a logic 0, reading address \$0009 reads the voltage level on the pin. The data latch can always be written, regardless of the state of its data direction bit. [Table 15-7](#) summarizes the operation of the port F pins.

Table 15-7. Port F Pin Functions

DDRF Bit	PTF Bit	I/O Pin Mode	Accesses to DDRF	Accesses to PTF	
			Read/Write	Read	Write
0	X	Input, Hi-Z	DDRF[3:0]	Pin	PTF[3:0] ⁽¹⁾
1	X	Output	DDRF[3:0]	PTF[3:0]	PTF[3:0]

X = Don't Care

Hi-Z = High Impedance

1. Writing affects data register, but does not affect input.

Section 16. Timer Interface (TIM)

16.1 Contents

16.2	Introduction	206
16.3	Features	206
16.4	Functional Description	209
16.4.1	TIM Counter Prescaler	209
16.4.2	Input Capture	209
16.4.3	Output Compare	211
16.4.3.1	Unbuffered Output Compare	211
16.4.3.2	Buffered Output Compare	212
16.4.4	Pulse Width Modulation (PWM)	213
16.4.4.1	Unbuffered PWM Signal Generation	214
16.4.4.2	Buffered PWM Signal Generation	215
16.4.4.3	PWM Initialization	216
16.5	Interrupts	218
16.6	Low-Power Modes	218
16.6.1	Wait Mode	218
16.6.2	Stop Mode	219
16.7	TIM During Break Interrupts	219
16.8	I/O Signals	220
16.8.1	TIM Clock Pin (PTD6/ATD14/TCLK)	220
16.8.2	TIM Channel I/O Pins (PTF3/TCH5–PTF0/TCH2 and PTE3/TCH1–PTE2/TCH0)	220
16.9	I/O Registers	221
16.9.1	TIM Status and Control Register	221
16.9.2	TIM Counter Registers	224
16.9.3	TIM Counter Modulo Registers	225
16.9.4	TIM Channel Status and Control Registers	226
16.9.5	TIM Channel Registers	231

16.2 Introduction

This section describes the timer interface module (TIM6). The TIM is a 6-channel timer that provides a timing reference with input capture, output compare, and pulse-width-modulation functions. [Figure 16-1](#) is a block diagram of the TIM.

16.3 Features

Features of the TIM include:

- Six input capture/output compare channels:
 - Rising-edge, falling-edge, or any-edge input capture trigger
 - Set, clear, or toggle output compare action
- Buffered and unbuffered pulse width modulation (PWM) signal generation
- Programmable TIM clock input
 - 7-frequency internal bus clock prescaler selection
 - External TIM clock input (4-MHz maximum frequency)
- Free-running or modulo up-count operation
- Toggle any channel pin on overflow
- TIM counter stop and reset bits
- Modular architecture expandable to eight channels

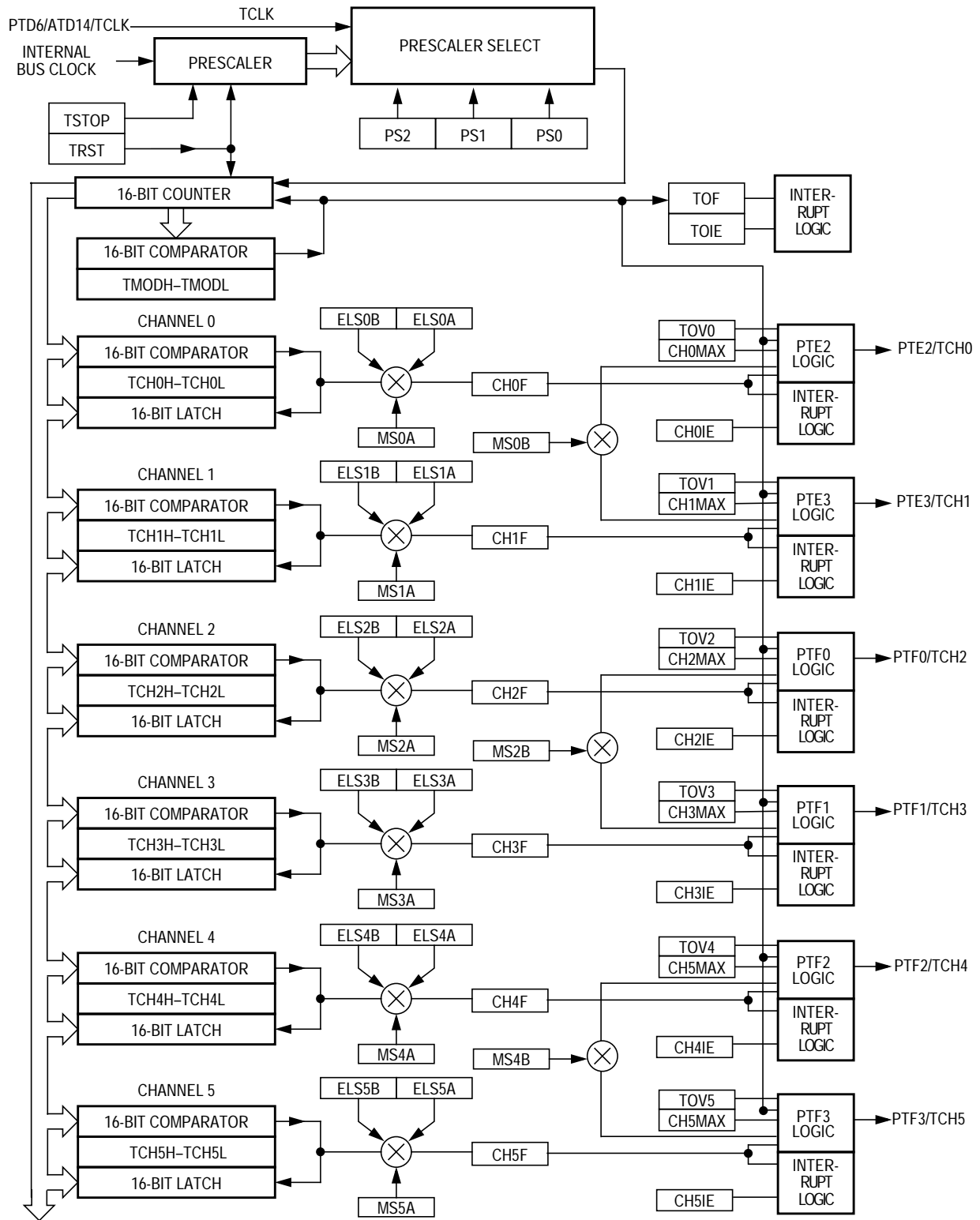


Figure 16-1. TIM Block Diagram

Table 16-1. TIM I/O Register Summary

Addr.	Register Name	Bit 7	6	5	4	3	2	1	Bit 0
\$0020	TIM Status/Control Register (TSC)	TOF	TOIE	TSTOP	TRST	0	PS2	PS1	PS0
\$0021	Reserved	R	R	R	R	R	R	R	R
\$0022	TIM Counter Register High (TCNTH)	Bit 15	14	13	12	11	10	9	Bit 8
\$0023	TIM Counter Register Low (TCNTL)	Bit 7	6	5	4	3	2	1	Bit 0
\$0024	TIM Counter Modulo Reg. High (TMODH)	Bit 15	14	13	12	11	10	9	Bit 8
\$0025	TIM Counter Modulo Reg. Low (TMODL)	Bit 7	6	5	4	3	2	1	Bit 0
\$0026	TIM Ch. 0 Status/Control Register (TSC0)	CH0F	CH0IE	MS0B	MS0A	ELS0B	ELS0A	TOV0	CH0MAX
\$0027	TIM Ch. 0 Register High (TCH0H)	Bit 15	14	13	12	11	10	9	Bit 8
\$0028	TIM Ch. 0 Register Low (TCH0L)	Bit 7	6	5	4	3	2	1	Bit 0
\$0029	TIM Ch. 1 Status/Control Register (TSC1)	CH1F	CH1IE	0	MS1A	ELS1B	ELS1A	TOV1	CH1MAX
\$002A	TIM Ch. 1 Register High (TCH1H)	Bit 15	14	13	12	11	10	9	Bit 8
\$002B	TIM Ch. 1 Register Low (TCH1L)	Bit 7	6	5	4	3	2	1	Bit 0
\$002C	TIM Ch. 2 Status/Control Register (TSC2)	CH2F	CH2IE	MS2B	MS2A	ELS2B	ELS2A	TOV2	CH2MAX
\$002D	TIM Ch. 2 Register High (TCH2H)	Bit 15	14	13	12	11	10	9	Bit 8
\$002E	TIM Ch. 2 Register Low (TCH2L)	Bit 7	6	5	4	3	2	1	Bit 0
\$002F	TIM Ch. 3 Status/Control Register (TSC3)	CH3F	CH3IE	0	MS3A	ELS3B	ELS3A	TOV3	CH3MAX
\$0030	TIM Ch. 3 Register High (TCH3H)	Bit 15	14	13	12	11	10	9	Bit 8
\$0031	TIM Ch. 3 Register Low (TCH3L)	Bit 7	6	5	4	3	2	1	Bit 0
\$0032	TIM Ch. 4 Status/Control Register (TSC4)	CH4F	CH4IE	MS4B	MS4A	ELS4B	ELS4A	TOV4	CH4MAX
\$0033	TIM Ch. 4 Register High (TCH4H)	Bit 15	14	13	12	11	10	9	Bit 8
\$0034	TIM Ch. 4 Register Low (TCH4L)	Bit 7	6	5	4	3	2	1	Bit 0
\$0035	TIM Ch. 5 Status/Control Register (TSC5)	CH5F	CH5IE	0	MS5A	ELS5B	ELS5A	TOV5	CH5MAX
\$0036	TIM Ch. 5 Register High (TCH5H)	Bit 15	14	13	12	11	10	9	Bit 8
\$0037	TIM Ch. 5 Register Low (TCH5L)	Bit 7	6	5	4	3	2	1	Bit 0

R = Reserved

16.4 Functional Description

Figure 16-1 shows the TIM structure. The central component of the TIM is the 16-bit TIM counter that can operate as a free-running counter or a modulo up-counter. The TIM counter provides the timing reference for the input capture and output compare functions. The TIM counter modulo registers, TMODH–TMODL, control the modulo value of the TIM counter. Software can read the TIM counter value at any time without affecting the counting sequence.

The six TIM channels are programmable independently as input capture or output compare channels.

16.4.1 TIM Counter Prescaler

The TIM clock source can be one of the seven prescaler outputs or the TIM clock pin, PTD6/ATD14/TCLK. The prescaler generates seven clock rates from the internal bus clock. The prescaler select bits, PS[2–0], in the TIM status and control register select the TIM clock source.

16.4.2 Input Capture

An input capture function has three basic parts: edge select logic, an input capture latch, and a 16-bit counter. Two 8-bit registers, which make up the 16-bit input capture register, are used to latch the value of the free-running counter after the corresponding input capture edge detector senses a defined transition. The polarity of the active edge is programmable. The level transition which triggers the counter transfer is defined by the corresponding input edge bits (ELSxB and ELSxA in TSC0 through TSC5 control registers with x referring to the active channel number). When an active edge occurs on the pin of an input capture channel, the TIM latches the contents of the TIM counter into the TIM channel registers, TCHxH–TCHxL. Input captures can generate TIM CPU interrupt requests. Software can determine that an input capture event has occurred by enabling input capture interrupts or by polling the status flag bit.

The result obtained by an input capture will be one more than the value of the free-running counter on the rising edge of the internal bus clock preceding the external transition. This delay is required for internal synchronization.

The free-running counter contents are transferred to the TIM channel registers (TCHxH–TCHxL) (see [16.9.5 TIM Channel Registers](#)) on each proper signal transition regardless of whether the TIM channel flag (CH0F–CH5F in TSC0–TSC5 registers) is set or clear. When the status flag is set, a CPU interrupt is generated if enabled. The value of the count latched or “captured” is the time of the event. Because this value is stored in the input capture register when the actual event occurs, user software can respond to this event at a later time and determine the actual time of the event. However, this must be done prior to another input capture on the same pin; otherwise, the previous time value will be lost.

By recording the times for successive edges on an incoming signal, software can determine the period and/or pulse width of the signal. To measure a period, two successive edges of the same polarity are captured. To measure a pulse width, two alternate polarity edges are captured. Software should track the overflows at the 16-bit module counter to extend its range.

Another use for the input capture function is to establish a time reference. In this case, an input capture function is used in conjunction with an output compare function. For example, to activate an output signal a specified number of clock cycles after detecting an input event (edge), use the input capture function to record the time at which the edge occurred. A number corresponding to the desired delay is added to this captured value and stored to an output compare register (see [16.9.5 TIM Channel Registers](#)). Because both input captures and output compares are referenced to the same 16-bit modulo counter, the delay can be controlled to the resolution of the counter independent of software latencies.

Reset does not affect the contents of the input capture channel (TCHxH–TCHxL) registers.

16.4.3 Output Compare

With the output compare function, the TIM can generate a periodic pulse with a programmable polarity, duration, and frequency. When the counter reaches the value in the registers of an output compare channel, the TIM can set, clear, or toggle the channel pin. Output compares can generate TIM CPU interrupt requests.

16.4.3.1 Unbuffered Output Compare

Any output compare channel can generate unbuffered output compare pulses as described in [16.4.3 Output Compare](#). The pulses are unbuffered because changing the output compare value requires writing the new value over the old value currently in the TIM channel registers.

An unsynchronized write to the TIM channel registers to change an output compare value could cause incorrect operation for up to two counter overflow periods. For example, writing a new value before the counter reaches the old value but after the counter reaches the new value prevents any compare during that counter overflow period. Also, using a TIM overflow interrupt routine to write a new, smaller output compare value may cause the compare to be missed. The TIM may pass the new value before it is written.

Use the following methods to synchronize unbuffered changes in the output compare value on channel x:

- When changing to a smaller value, enable channel x output compare interrupts and write the new value in the output compare interrupt routine. The output compare interrupt occurs at the end of the current output compare pulse. The interrupt routine has until the end of the counter overflow period to write the new value.
- When changing to a larger output compare value, enable channel x TIM overflow interrupts and write the new value in the TIM overflow interrupt routine. The TIM overflow interrupt occurs at the end of the current counter overflow period. Writing a larger value in an output compare interrupt routine (at the end of the current pulse) could cause two output compares to occur in the same counter overflow period.

16.4.3.2 Buffered Output Compare

Channels 0 and 1 can be linked to form a buffered output compare channel whose output appears on the PTE2/TCH0 pin. The TIM channel registers of the linked pair alternately control the output.

Setting the MS0B bit in TIM channel 0 status and control register (TSC0) links channel 0 and channel 1. The output compare value in the TIM channel 0 registers initially controls the output on the PTE2/TCH0 pin. Writing to the TIM channel 1 registers enables the TIM channel 1 registers to synchronously control the output after the TIM overflows. At each subsequent overflow, the TIM channel registers (0 or 1) that control the output are the ones written to last. TSC0 controls and monitors the buffered output compare function, and TIM channel 1 status and control register (TSC1) is unused. While the MS0B bit is set, the channel 1 pin, PTE3/TCH1, is available as a general-purpose I/O pin.

Channels 2 and 3 can be linked to form a buffered output compare channel whose output appears on the PTF0/TCH2 pin. The TIM channel registers of the linked pair alternately control the output.

Setting the MS2B bit in TIM channel 2 status and control register (TSC2) links channel 2 and channel 3. The output compare value in the TIM channel 2 registers initially controls the output on the PTF0/TCH2 pin. Writing to the TIM channel 3 registers enables the TIM channel 3 registers to synchronously control the output after the TIM overflows. At each subsequent overflow, the TIM channel registers (2 or 3) that control the output are the ones written to last. TSC2 controls and monitors the buffered output compare function, and TIM channel 3 status and control register (TSC3) is unused. While the MS2B bit is set, the channel 3 pin, PTF1/TCH3, is available as a general-purpose I/O pin.

Channels 4 and 5 can be linked to form a buffered output compare channel whose output appears on the PTF2/TCH4 pin. The TIM channel registers of the linked pair alternately control the output.

Setting the MS4B bit in TIM channel 4 status and control register (TSC4) links channel 4 and channel 5. The output compare value in the TIM channel 4 registers initially controls the output on the PTF2/TCH4 pin. Writing to the TIM channel 5 registers enables the TIM channel 5

registers to synchronously control the output after the TIM overflows. At each subsequent overflow, the TIM channel registers (4 or 5) that control the output are the ones written to last. TSC4 controls and monitors the buffered output compare function, and TIM channel 5 status and control register (TSC5) is unused. While the MS4B bit is set, the channel 5 pin, PTF3/TCH5, is available as a general-purpose I/O pin.

NOTE: *In buffered output compare operation, do not write new output compare values to the currently active channel registers. Writing to the active channel registers is the same as generating unbuffered output compares.*

16.4.4 Pulse Width Modulation (PWM)

By using the toggle-on-overflow feature with an output compare channel, the TIM can generate a PWM signal. The value in the TIM counter modulo registers determines the period of the PWM signal. The channel pin toggles when the counter reaches the value in the TIM counter modulo registers. The time between overflows is the period of the PWM signal.

As [Figure 16-2](#) shows, the output compare value in the TIM channel registers determines the pulse width of the PWM signal. The time between overflow and output compare is the pulse width. Program the TIM to clear the channel pin on output compare if the state of the PWM pulse is logic 1. Program the TIM to set the pin if the state of the PWM pulse is logic 0.

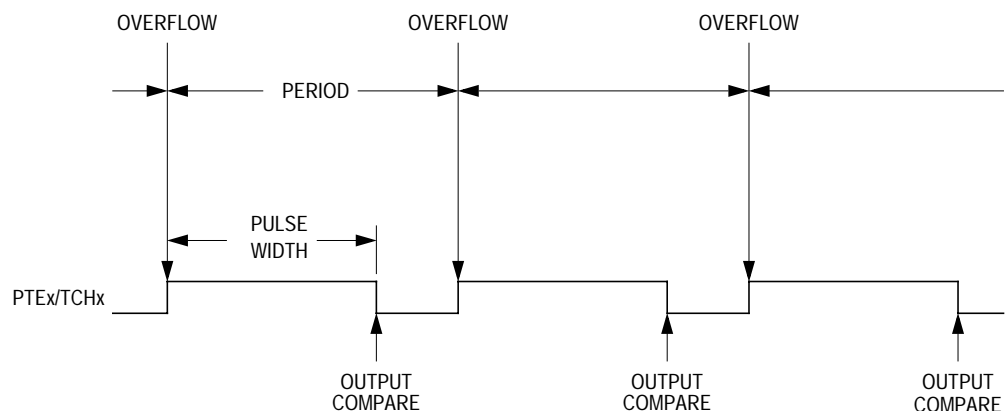


Figure 16-2. PWM Period and Pulse Width

The value in the TIM counter modulo registers and the selected prescaler output determines the frequency of the PWM output. The frequency of an 8-bit PWM signal is variable in 256 increments. Writing \$00FF (255) to the TIM counter modulo registers produces a PWM period of 256 times the internal bus clock period if the prescaler select value is \$000 (see [16.9.1 TIM Status and Control Register](#)).

The value in the TIM channel registers determines the pulse width of the PWM output. The pulse width of an 8-bit PWM signal is variable in 256 increments. Writing \$0080 (128) to the TIM channel registers produces a duty cycle of 128/256 or 50%.

16.4.4.1 Unbuffered PWM Signal Generation

Any output compare channel can generate unbuffered PWM pulses as described in [16.4.4 Pulse Width Modulation \(PWM\)](#). The pulses are unbuffered because changing the pulse width requires writing the new pulse width value over the value currently in the TIM channel registers.

An unsynchronized write to the TIM channel registers to change a pulse width value could cause incorrect operation for up to two PWM periods. For example, writing a new value before the counter reaches the old value but after the counter reaches the new value prevents any compare during that PWM period. Also, using a TIM overflow interrupt routine to write a new, smaller pulse width value may cause the compare to be missed. The TIM may pass the new value before it is written to the timer channel (TCHxH/TCHxL) registers.

Use the following methods to synchronize unbuffered changes in the PWM pulse width on channel x:

- When changing to a shorter pulse width, enable channel x output compare interrupts and write the new value in the output compare interrupt routine. The output compare interrupt occurs at the end of the current pulse. The interrupt routine has until the end of the PWM period to write the new value.
- When changing to a longer pulse width, enable channel x TIM overflow interrupts and write the new value in the TIM overflow interrupt routine. The TIM overflow interrupt occurs at the end of

the current PWM period. Writing a larger value in an output compare interrupt routine (at the end of the current pulse) could cause two output compares to occur in the same PWM period.

NOTE: *In PWM signal generation, do not program the PWM channel to toggle on output compare. Toggling on output compare prevents reliable 0% duty cycle generation and removes the ability of the channel to self-correct in the event of software error or noise. Toggling on output compare also can cause incorrect PWM signal generation when changing the PWM pulse width to a new, much larger value.*

16.4.4.2 Buffered PWM Signal Generation

Channels 0 and 1 can be linked to form a buffered PWM channel whose output appears on the PTE2/TCH0 pin. The TIM channel registers of the linked pair alternately control the pulse width of the output.

Setting the MS0B bit in TIM channel 0 status and control register (TSC0) links channel 0 and channel 1. The TIM channel 0 registers initially control the pulse width on the PTE2/TCH0 pin. Writing to the TIM channel 1 registers enables the TIM channel 1 registers to synchronously control the pulse width at the beginning of the next PWM period. At each subsequent overflow, the TIM channel registers (0 or 1) that control the pulse width are the ones written to last. TSC0 controls and monitors the buffered PWM function, and TIM channel 1 status and control register (TSC1) is unused. While the MS0B bit is set, the channel 1 pin, PTE3/TCH1, is available as a general-purpose I/O pin.

Channels 2 and 3 can be linked to form a buffered PWM channel whose output appears on the PTF0/TCH2 pin. The TIM channel registers of the linked pair alternately control the pulse width of the output.

Setting the MS2B bit in TIM channel 2 status and control register (TSC2) links channel 2 and channel 3. The TIM channel 2 registers initially control the pulse width on the PTF0/TCH2 pin. Writing to the TIM channel 3 registers enables the TIM channel 3 registers to synchronously control the pulse width at the beginning of the next PWM period. At each subsequent overflow, the TIM channel registers (2 or 3) that control the pulse width are the ones written to last. TSC2 controls and monitors the buffered PWM function, and TIM channel 3 status and

control register (TSC3) is unused. While the MS2B bit is set, the channel 3 pin, PTF1/TCH3, is available as a general-purpose I/O pin.

Channels 4 and 5 can be linked to form a buffered PWM channel whose output appears on the PTF2/TCH4 pin. The TIM channel registers of the linked pair alternately control the pulse width of the output.

Setting the MS4B bit in TIM channel 4 status and control register (TSC4) links channel 4 and channel 5. The TIM channel 4 registers initially control the pulse width on the PTF2/TCH4 pin. Writing to the TIM channel 5 registers enables the TIM channel 5 registers to synchronously control the pulse width at the beginning of the next PWM period. At each subsequent overflow, the TIM channel registers (4 or 5) that control the pulse width are the ones written to last. TSC4 controls and monitors the buffered PWM function, and TIM channel 5 status and control register (TSC5) is unused. While the MS4B bit is set, the channel 5 pin, PTF3/TCH5, is available as a general-purpose I/O pin.

NOTE: *In buffered PWM signal generation, do not write new pulse width values to the currently active channel registers. Writing to the active channel registers is the same as generating unbuffered PWM signals.*

16.4.4.3 PWM Initialization

To ensure correct operation when generating unbuffered or buffered PWM signals, use the following initialization procedure:

1. In the TIM status and control register (TSC):
 - a. Stop the TIM counter by setting the TIM stop bit, TSTOP.
 - b. Reset the TIM counter by setting the TIM reset bit, TRST.
2. In the TIM counter modulo registers (TMODH–TMODL), write the value for the required PWM period.
3. In the TIM channel x registers (TCHxH–TCHxL), write the value for the required pulse width.

4. In TIM channel x status and control register (TSCx):
 - a. Write 0–1 (for unbuffered output compare or PWM signals) or 1–0 (for buffered output compare or PWM signals) to the mode select bits, MSxB–MSxA. (See [Table 16-3](#).)
 - b. Write 1 to the toggle-on-overflow bit, TOVx.
 - c. Write 1–0 (to clear output on compare) or 1–1 (to set output on compare) to the edge/level select bits, ELSxB–ELSxA. The output action on compare must force the output to the complement of the pulse width level. (See [Table 16-3](#).)

NOTE: *In PWM signal generation, do not program the PWM channel to toggle on output compare. Toggling on output compare prevents reliable 0% duty cycle generation and removes the ability of the channel to self-correct in the event of software error or noise. Toggling on output compare can also cause incorrect PWM signal generation when changing the PWM pulse width to a new, much larger value.*

5. In the TIM status control register (TSC), clear the TIM stop bit, TSTOP.

Setting MS0B links channels 0 and 1 and configures them for buffered PWM operation. The TIM channel 0 registers (TCH0H–TCH0L) initially control the buffered PWM output. TIM status control register 0 (TSC0) controls and monitors the PWM signal from the linked channels. MS0B takes priority over MS0A.

Setting MS2B links channels 2 and 3 and configures them for buffered PWM operation. The TIM channel 2 registers (TCH2H–TCH2L) initially control the PWM output. TIM status control register 2 (TSC2) controls and monitors the PWM signal from the linked channels. MS2B takes priority over MS2A.

Setting MS4B links channels 4 and 5 and configures them for buffered PWM operation. The TIM channel 4 registers (TCH4H–TCH4L) initially control the PWM output. TIM status control register 4 (TSC4) controls and monitors the PWM signal from the linked channels. MS4B takes priority over MS4A.

Clearing the toggle-on-overflow bit, TOVx, inhibits output toggles on TIM overflows. Subsequent output compares try to force the output to a state it is already in and have no effect. The result is a 0% duty cycle output.

Setting the channel x maximum duty cycle bit (CHxMAX) and clearing the TOVx bit generates a 100% duty cycle output. (See [16.9.4 TIM Channel Status and Control Registers](#).)

16.5 Interrupts

The following TIM sources can generate interrupt requests:

- TIM overflow flag (TOF) — The TOF bit is set when the TIM counter value rolls over to \$0000 after matching the value in the TIM counter modulo registers. The TIM overflow interrupt enable bit, TOIE, enables TIM overflow CPU interrupt requests. TOF and TOIE are in the TIM status and control register.
- TIM channel flags (CH5F–CH0F) — The CHxF bit is set when an input capture or output compare occurs on channel x. Channel x TIM CPU interrupt requests are controlled by the channel x interrupt enable bit, CHxIE.

16.6 Low-Power Modes

The WAIT and STOP instructions put the MCU in low-power standby modes.

16.6.1 Wait Mode

The TIM remains active after the execution of a WAIT instruction. In wait mode, the TIM registers are not accessible by the CPU. Any enabled CPU interrupt request from the TIM can bring the MCU out of wait mode.

If TIM functions are not required during wait mode, reduce power consumption by stopping the TIM before executing the WAIT instruction.

16.6.2 Stop Mode

The TIM is inactive after the execution of a STOP instruction. The STOP instruction does not affect register conditions or the state of the TIM counter. TIM operation resumes when the MCU exits stop mode.

16.7 TIM During Break Interrupts

A break interrupt stops the TIM counter.

The system integration module (SIM) controls whether status bits in other modules can be cleared during the break state. The BCFE bit in the SIM break flag control register (SBFCR) enables software to clear status bits during the break state. (See [9.8.3 SIM Break Flag Control Register](#).)

To allow software to clear status bits during a break interrupt, write a logic 1 to the BCFE bit. If a status bit is cleared during the break state, it remains cleared when the MCU exits the break state.

To protect status bits during the break state, write a logic 0 to the BCFE bit. With BCFE at logic 0 (its default state), software can read and write I/O registers during the break state without affecting status bits. Some status bits have a 2-step read/write clearing procedure. If software does the first step on such a bit before the break, the bit cannot change during the break state as long as BCFE is at logic 0. After the break, doing the second step clears the status bit.

16.8 I/O Signals

Port D shares one of its pins with the TIM. Port E shares two of its pins with the TIM and port F shares four of its pins with the TIM.

PTD6/ATD14/TCLK is an external clock input to the TIM prescaler. The six TIM channel I/O pins are PTE2/TCH0, PTE3/TCH1, PTF0/TCH2, PTF1/TCH3, PTF2/TCH4, and PTF3/TCH5.

16.8.1 TIM Clock Pin (PTD6/ATD14/TCLK)

PTD6/ATD14/TCLK is an external clock input that can be the clock source for the TIM counter instead of the prescaled internal bus clock. Select the PTD6/ATD14/TCLK input by writing logic 1s to the three prescaler select bits, PS[2–0]. (See [16.9.1 TIM Status and Control Register](#).) The minimum TCLK pulse width, $TCLK_{LMIN}$ or $TCLK_{HMIN}$, is:

$$\frac{1}{\text{bus frequency}} + t_{SU}$$

The maximum TCLK frequency is the least: 4 MHz or bus frequency \div 2.

PTD6/ATD14/TCLK is available as a general-purpose I/O pin or ADC channel when not used as the TIM clock input. When the PTD6/ATD14/TCLK pin is the TIM clock input, it is an input regardless of the state of the DDRD6 bit in data direction register D.

16.8.2 TIM Channel I/O Pins (PTF3/TCH5–PTF0/TCH2 and PTE3/TCH1–PTE2/TCH0)

Each channel I/O pin is programmable independently as an input capture pin or an output compare pin. PTE2/TCH0, PTE6/TCH2, and PTF2/TCH4 can be configured as buffered output compare or buffered PWM pins.

16.9 I/O Registers

These I/O registers control and monitor TIM operation:

- TIM status and control register (TSC)
- TIM control registers (TCNTH–TCNTL)
- TIM counter modulo registers (TMODH–TMODL)
- TIM channel status and control registers (TSC0, TSC1, TSC2, TSC3, TSC4, and TSC5)
- TIM channel registers (TCH0H–TCH0L, TCH1H–TCH1L, TCH2H–TCH2L, TCH3H–TCH3L, TCH4H–TCH4L, and TCH5H–TCH5L)

16.9.1 TIM Status and Control Register

The TIM status and control register:

- Enables TIM overflow interrupts
- Flags TIM overflows
- Stops the TIM counter
- Resets the TIM counter
- Prescales the TIM counter clock

Address: \$0020

	Bit 7	6	5	4	3	2	1	Bit 0
Read:	TOF	TOIE	TSTOP	0	0	PS2	PS1	PS0
Write:	0			TRST	R			
Reset:	0	0	1	0	0	0	0	0

R = Reserved

Figure 16-3. TIM Status and Control Register (TSC)

TOF — TIM Overflow Flag Bit

This read/write flag is set when the TIM counter resets to \$0000 after reaching the modulo value programmed in the TIM counter modulo registers. Clear TOF by reading the TIM status and control register when TOF is set and then writing a logic 0 to TOF. If another TIM overflow occurs before the clearing sequence is complete, then writing logic 0 to TOF has no effect. Therefore, a TOF interrupt request cannot be lost due to inadvertent clearing of TOF. Reset clears the TOF bit. Writing a logic 1 to TOF has no effect.

1 = TIM counter has reached modulo value

0 = TIM counter has not reached modulo value

TOIE — TIM Overflow Interrupt Enable Bit

This read/write bit enables TIM overflow interrupts when the TOF bit becomes set. Reset clears the TOIE bit.

1 = TIM overflow interrupts enabled

0 = TIM overflow interrupts disabled

TSTOP — TIM Stop Bit

This read/write bit stops the TIM counter. Counting resumes when TSTOP is cleared. Reset sets the TSTOP bit, stopping the TIM counter until software clears the TSTOP bit.

1 = TIM counter stopped

0 = TIM counter active

NOTE: *Do not set the TSTOP bit before entering wait mode if the TIM is required to exit wait mode. Also when the TSTOP bit is set and the timer is configured for input capture operation, input captures are inhibited until the TSTOP bit is cleared.*

TRST — TIM Reset Bit

Setting this write-only bit resets the TIM counter and the TIM prescaler. Setting TRST has no effect on any other registers. Counting resumes from \$0000. TRST is cleared automatically after the TIM counter is reset and always reads as logic 0. Reset clears the TRST bit.

- 1 = Prescaler and TIM counter cleared
- 0 = No effect

NOTE: *Setting the TSTOP and TRST bits simultaneously stops the TIM counter at a value of \$0000.*

PS[2–0] — Prescaler Select Bits

These read/write bits select either the PTD6/ATD14/TCLK pin or one of the seven prescaler outputs as the input to the TIM counter as [Table 16-2](#) shows. Reset clears the PS[2–0] bits.

Table 16-2. Prescaler Selection

PS[2–0]	TIM Clock Source
000	Internal Bus Clock ÷ 1
001	Internal Bus Clock ÷ 2
010	Internal Bus Clock ÷ 4
011	Internal Bus Clock ÷ 8
100	Internal Bus Clock ÷ 16
101	Internal Bus Clock ÷ 32
110	Internal Bus Clock ÷ 64
111	PTD6/ATD14/TCLK

16.9.2 TIM Counter Registers

The two read-only TIM counter registers contain the high and low bytes of the value in the TIM counter. Reading the high byte (TCNTH) latches the contents of the low byte (TCNTL) into a buffer. Subsequent reads of TCNTH do not affect the latched TCNTL value until TCNTL is read. Reset clears the TIM counter registers. Setting the TIM reset bit (TRST) also clears the TIM counter registers.

NOTE: *If TCNTH is read during a break interrupt, be sure to unlatch TCNTL by reading TCNTL before exiting the break interrupt. Otherwise, TCNTL retains the value latched during the break.*

Register Name and Address TCNTH — \$0022

	Bit 7	6	5	4	3	2	1	Bit 0
Read:	BIT 15	BIT 14	BIT 13	BIT 12	BIT 11	BIT 10	BIT 9	BIT 8
Write:	R	R	R	R	R	R	R	R
Reset:	0	0	0	0	0	0	0	0

Register Name and Address TCNTL — \$0023

	Bit 7	6	5	4	3	2	1	Bit 0
Read:	BIT 7	BIT 6	BIT 5	BIT 4	BIT 3	BIT 2	BIT 1	BIT 0
Write:	R	R	R	R	R	R	R	R
Reset:	0	0	0	0	0	0	0	0

R

 R = Reserved

Figure 16-4. TIM Counter Registers (TCNTH and TCNTL)

16.9.3 TIM Counter Modulo Registers

The read/write TIM modulo registers contain the modulo value for the TIM counter. When the TIM counter reaches the modulo value, the overflow flag (TOF) becomes set, and the TIM counter resumes counting from \$0000 at the next clock. Writing to the high byte (TMODH) inhibits the TOF bit and overflow interrupts until the low byte (TMODL) is written. Reset sets the TIM counter modulo registers.

Register Name and Address TMODH — \$0024

	Bit 7	6	5	4	3	2	1	Bit 0
Read:	BIT 15	BIT 14	BIT 13	BIT 12	BIT 11	BIT 10	BIT 9	BIT 8
Write:								
Reset:	1	1	1	1	1	1	1	1

Register Name and Address TMODL — \$0025

	Bit 7	6	5	4	3	2	1	Bit 0
Read:	BIT 7	BIT 6	BIT 5	BIT 4	BIT 3	BIT 2	BIT 1	BIT 0
Write:								
Reset:	1	1	1	1	1	1	1	1

Figure 16-5. TIM Counter Modulo Registers (TMODH and TMODL)

NOTE: Reset the TIM counter before writing to the TIM counter modulo registers.

16.9.4 TIM Channel Status and Control Registers

Each of the TIM channel status and control registers:

- Flags input captures and output compares
- Enables input capture and output compare interrupts
- Selects input capture, output compare, or PWM operation
- Selects high, low, or toggling output on output compare
- Selects rising edge, falling edge, or any edge as the active input capture trigger
- Selects output toggling on TIM overflow
- Selects 100% PWM duty cycle
- Selects buffered or unbuffered output compare/PWM operation

Register Name and Address TSC0 — \$0026

	Bit 7	6	5	4	3	2	1	Bit 0
Read:	CH0F	CH0IE	MS0B	MS0A	ELS0B	ELS0A	TOV0	CH0MAX
Write:	0							
Reset:	0	0	0	0	0	0	0	0

Register Name and Address TSC1 — \$0029

	Bit 7	6	5	4	3	2	1	Bit 0
Read:	CH1F	CH1IE	0	MS1A	ELS1B	ELS1A	TOV1	CH1MAX
Write:	0		R					
Reset:	0	0	0	0	0	0	0	0

R = Reserved

Figure 16-6. TIM Channel Status and Control Registers (TSC0–TSC5)

Register Name and Address TSC2 — \$002C

	Bit 7	6	5	4	3	2	1	Bit 0
Read:	CH2F	CH2IE	MS2B	MS2A	ELS2B	ELS2A	TOV2	CH2MAX
Write:	0							
Reset:	0	0	0	0	0	0	0	0

Register Name and Address TSC3 — \$002F

	Bit 7	6	5	4	3	2	1	Bit 0
Read:	CH3F	CH3IE	0	MS3A	ELS3B	ELS3A	TOV3	CH3MAX
Write:	0		R					
Reset:	0	0	0	0	0	0	0	0

Register Name and Address TSC4 — \$0032

	Bit 7	6	5	4	3	2	1	Bit 0
Read:	CH4F	CH4IE	MS4B	MS4A	ELS4B	ELS4A	TOV4	CH4MAX
Write:	0							
Reset:	0	0	0	0	0	0	0	0

Register Name and Address TSC5 — \$0035

	Bit 7	6	5	4	3	2	1	Bit 0
Read:	CH5F	CH5IE	0	MS5A	ELS5B	ELS5A	TOV5	CH5MAX
Write:	0		R					
Reset:	0	0	0	0	0	0	0	0

R	R = Reserved
---	--------------

**Figure 16-6. TIM Channel Status
and Control Registers (TSC0–TSC5) (Continued)**

CHxF — Channel x Flag Bit

When channel x is an input capture channel, this read/write bit is set when an active edge occurs on the channel x pin. When channel x is an output compare channel, CHxF is set when the value in the TIM counter registers matches the value in the TIM channel x registers.

When CHxIE = 0, clear CHxF by reading TIM channel x status and control register with CHxF set, and then writing a logic 0 to CHxF. If another interrupt request occurs before the clearing sequence is complete, then writing logic 0 to CHxF has no effect. Therefore, an interrupt request cannot be lost due to inadvertent clearing of CHxF.

Reset clears the CHxF bit. Writing a logic 1 to CHxF has no effect.

1 = Input capture or output compare on channel x

0 = No input capture or output compare on channel x

CHxIE — Channel x Interrupt Enable Bit

This read/write bit enables TIM CPU interrupts on channel x.

Reset clears the CHxIE bit.

1 = Channel x CPU interrupt requests enabled

0 = Channel x CPU interrupt requests disabled

MSxB — Mode Select Bit B

This read/write bit selects buffered output compare/PWM operation. MSxB exists only in the TIM channel 0, TIM channel 2, and TIM channel 4 status and control registers.

Setting MS0B disables the channel 1 status and control register and reverts TCH1 pin to general-purpose I/O.

Setting MS2B disables the channel 3 status and control register and reverts TCH3 pin to general-purpose I/O.

Setting MS4B disables the channel 5 status and control register and reverts TCH5 pin to general-purpose I/O.

Reset clears the MSxB bit.

1 = Buffered output compare/PWM operation enabled

0 = Buffered output compare/PWM operation disabled

MSxA — Mode Select Bit A

When ELSxB–ELSxA \neq 00, this read/write bit selects either input capture operation or unbuffered output compare/PWM operation. (See [Table 16-3](#).)

- 1 = Unbuffered output compare/PWM operation
- 0 = Input capture operation

When ELSxB–ELSxA = 00, this read/write bit selects the initial output level of the TCHx pin once PWM, input capture, or output compare operation is enabled. (See [Table 16-3](#).) Reset clears the MSxA bit.

- 1 = Initial output level low
- 0 = Initial output level high

NOTE: *Before changing a channel function by writing to the MSxB or MSxA bit, set the TSTOP and TRST bits in the TIM status and control register (TSC).*

ELSxB and ELSxA — Edge/Level Select Bits

When channel x is an input capture channel, these read/write bits control the active edge-sensing logic on channel x.

When channel x is an output compare channel, ELSxB and ELSxA control the channel x output behavior when an output compare occurs.

When ELSxB and ELSxA are both clear, channel x is not connected to port E or port F, and pin PTE_x/TCH_x or pin PTF_x/TCH_x is available as a general-purpose I/O pin. However, channel x is at a state determined by these bits and becomes transparent to the respective pin when PWM, input capture, or output compare mode is enabled. [Table 16-3](#) shows how ELSxB and ELSxA work. Reset clears the ELSxB and ELSxA bits.

Table 16-3. Mode, Edge, and Level Selection

MSxB–MSxA	ELSxB–ELSxA	Mode	Configuration
X0	00	Output Preset	Pin under Port Control; Initialize Timer Output Level High
X1	00		Pin under Port Control; Initialize Timer Output Level Low
00	01	Input Capture	Capture on Rising Edge Only
00	10		Capture on Falling Edge Only
00	11		Capture on Rising or Falling Edge
01	01	Output Compare or PWM	Toggle Output on Compare
01	10		Clear Output on Compare
01	11		Set Output on Compare
1X	01	Buffered Output Compare or Buffered PWM	Toggle Output on Compare
1X	10		Clear Output on Compare
1X	11		Set Output on Compare

NOTE: Before enabling a TIM channel register for input capture operation, make sure that the PTE_x/TCH_x pin or PTF_x/TCH_x pin is stable for at least two bus clocks.

TOV_x — Toggle-On-Overflow Bit

When channel x is an output compare channel, this read/write bit controls the behavior of the channel x output when the TIM counter overflows. When channel x is an input capture channel, TOV_x has no effect. Reset clears the TOV_x bit.

1 = Channel x pin toggles on TIM counter overflow.

0 = Channel x pin does not toggle on TIM counter overflow.

NOTE: When TOV_x is set, a TIM counter overflow takes precedence over a channel x output compare if both occur at the same time.

CHxMAX — Channel x Maximum Duty Cycle Bit

When the TOVx bit is at logic 0, setting the CHxMAX bit forces the duty cycle of buffered and unbuffered PWM signals to 100%. As **Figure 16-7** shows, the CHxMAX bit takes effect in the cycle after it is set or cleared. The output stays at the 100% duty cycle level until the cycle after CHxMAX is cleared.

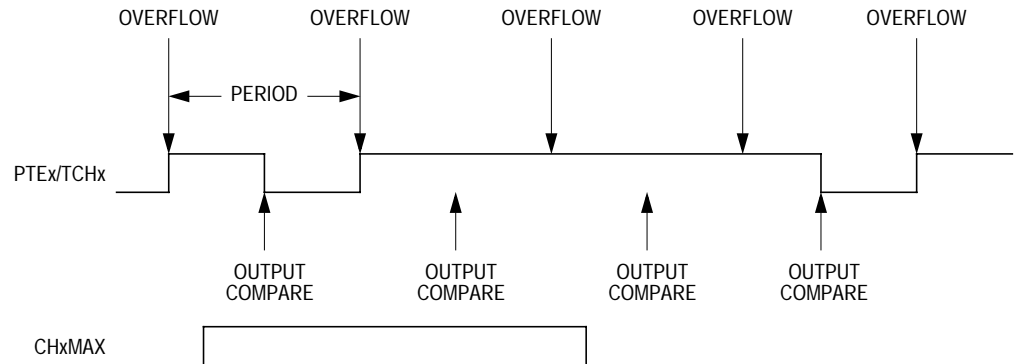


Figure 16-7. CHxMAX Latency

16.9.5 TIM Channel Registers

These read/write registers contain the captured TIM counter value of the input capture function or the output compare value of the output compare function. The state of the TIM channel registers after reset is unknown.

In input capture mode ($MSxB-MSxA = 0-0$), reading the high byte of the TIM channel x registers (TCHxH) inhibits input captures until the low byte (TCHxL) is read.

In output compare mode ($MSxB-MSxA \neq 0-0$), writing to the high byte of the TIM channel x registers (TCHxH) inhibits output compares until the low byte (TCHxL) is written.

Timer Interface (TIM)

Register Name and Address TCH0H — \$0027

	Bit 7	6	5	4	3	2	1	Bit 0
Read:	Bit 15	Bit 14	Bit 13	Bit 12	Bit 11	Bit 10	Bit 9	Bit 8
Write:								
Reset:	Indeterminate after Reset							

Register Name and Address TCH0L — \$0028

	Bit 7	6	5	4	3	2	1	Bit 0
Read:	Bit 7	Bit 6	Bit 5	Bit 4	Bit 3	Bit 2	Bit 1	Bit 0
Write:								
Reset:	Indeterminate after Reset							

Register Name and Address TCH1H — \$002A

	Bit 7	6	5	4	3	2	1	Bit 0
Read:	Bit 15	Bit 14	Bit 13	Bit 12	Bit 11	Bit 10	Bit 9	Bit 8
Write:								
Reset:	Indeterminate after Reset							

Register Name and Address TCH1L — \$002B

	Bit 7	6	5	4	3	2	1	Bit 0
Read:	Bit 7	Bit 6	Bit 5	Bit 4	Bit 3	Bit 2	Bit 1	Bit 0
Write:								
Reset:	Indeterminate after Reset							

Register Name and Address TCH2H — \$002D

	Bit 7	6	5	4	3	2	1	Bit 0
Read:	Bit 15	Bit 14	Bit 13	Bit 12	Bit 11	Bit 10	Bit 9	Bit 8
Write:								
Reset:	Indeterminate after Reset							

Figure 16-8. TIM Channel Registers (TCH0H/L–TCH3H/L) (Sheet 1 of 3)

Register Name and Address TCH2L — \$002E

	Bit 7	6	5	4	3	2	1	Bit 0
Read:								
Write:	Bit 7	Bit 6	Bit 5	Bit 4	Bit 3	Bit 2	Bit 1	Bit 0
Reset:	Indeterminate after Reset							

Register Name and Address TCH3H — \$0030

	Bit 7	6	5	4	3	2	1	Bit 0
Read:								
Write:	Bit 15	Bit 14	Bit 13	Bit 12	Bit 11	Bit 10	Bit 9	Bit 8
Reset:	Indeterminate after Reset							

Register Name and Address TCH3L — \$0031

	Bit 7	6	5	4	3	2	1	Bit 0
Read:								
Write:	Bit 7	Bit 6	Bit 5	Bit 4	Bit 3	Bit 2	Bit 1	Bit 0
Reset:	Indeterminate after Reset							

Register Name and Address TCH4H — \$0033

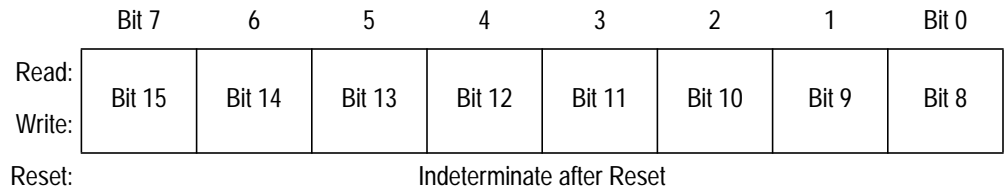
	Bit 7	6	5	4	3	2	1	Bit 0
Read:								
Write:	Bit 15	Bit 14	Bit 13	Bit 12	Bit 11	Bit 10	Bit 9	Bit 8
Reset:	Indeterminate after Reset							

Register Name and Address TCH4L — \$0034

	Bit 7	6	5	4	3	2	1	Bit 0
Read:								
Write:	Bit 7	Bit 6	Bit 5	Bit 4	Bit 3	Bit 2	Bit 1	Bit 0
Reset:	Indeterminate after Reset							

**Figure 16-8. TIM Channel Registers
(TCH0H/L–TCH3H/L) (Sheet 2 of 3)**

Register Name and Address TCH5H — \$0036



Register Name and Address TCH5L — \$0037

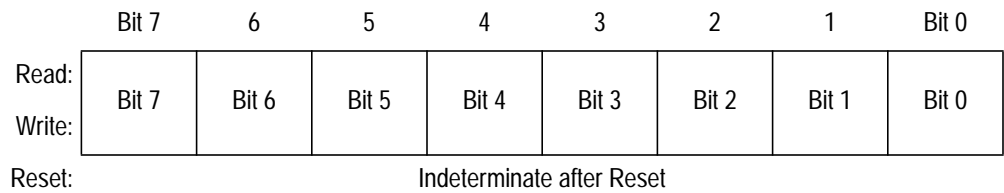


Figure 16-8. TIM Channel Registers (TCH0H/L–TCH3H/L) (Sheet 3 of 3)

Section 17. Serial Communications Interface (SCI)

17.1 Contents

17.2	Introduction	236
17.3	Features	236
17.4	Functional Description	237
17.4.1	Data Format	240
17.4.2	Transmitter	240
17.4.3	Character Length	240
17.4.4	Character Transmission	241
17.4.5	Break Characters	244
17.4.6	Idle Characters	245
17.4.7	Inversion of Transmitted Output	245
17.4.8	Transmitter Interrupts	246
17.4.9	Receiver	246
17.4.10	Character Length	249
17.4.11	Character Reception	249
17.4.12	Data Sampling	250
17.4.13	Framing Errors	252
17.4.14	Receiver Wakeup	252
17.5	Receiver Interrupts	253
17.5.1	Error Interrupts	254
17.6	Low-Power Modes	255
17.6.1	Wait Mode	255
17.6.2	Stop Mode	255
17.7	SCI During Break Module Interrupts	255
17.8	I/O Signals	256
17.8.1	PTE0/TxD (Transmit Data)	256
17.8.2	PTE1/RxD (Receive Data)	256

17.9	I/O Registers	257
17.9.1	SCI Control Register 1	257
17.9.2	SCI Control Register 2	261
17.9.3	SCI Control Register 3	263
17.9.4	SCI Status Register 1	265
17.9.5	SCI Status Register 2	269
17.9.6	SCI Data Register	270
17.9.7	SCI Baud Rate Register	271

17.2 Introduction

This section describes the serial communications interface module (SCI, Version D), which allows high-speed asynchronous communications with peripheral devices and other MCUs.

17.3 Features

Features of the SCI module include:

- Full duplex operation
- Standard mark/space non-return-to-zero (NRZ) format
- 32 programmable baud rates
- Programmable 8-bit or 9-bit character length
- Separately enabled transmitter and receiver
- Separate receiver and transmitter CPU interrupt requests
- Programmable transmitter output polarity
- Two receiver wakeup methods:
 - Idle line wakeup
 - Address mark wakeup

- Interrupt-driven operation with eight interrupt flags:
 - Transmitter empty
 - Transmission complete
 - Receiver full
 - Idle receiver input
 - Receiver overrun
 - Noise error
 - Framing error
 - Parity error
- Receiver framing error detection
- Hardware parity checking
- 1/16 bit-time noise detection

17.4 Functional Description

Figure 17-1 shows the structure of the SCI module. The SCI allows full-duplex, asynchronous, NRZ serial communication between the MCU and remote devices, including other MCUs. The transmitter and receiver of the SCI operate independently, although they use the same baud rate generator. During normal operation, the CPU monitors the status of the SCI, writes the data to be transmitted, and processes received data.

Serial Communications Interface (SCI)

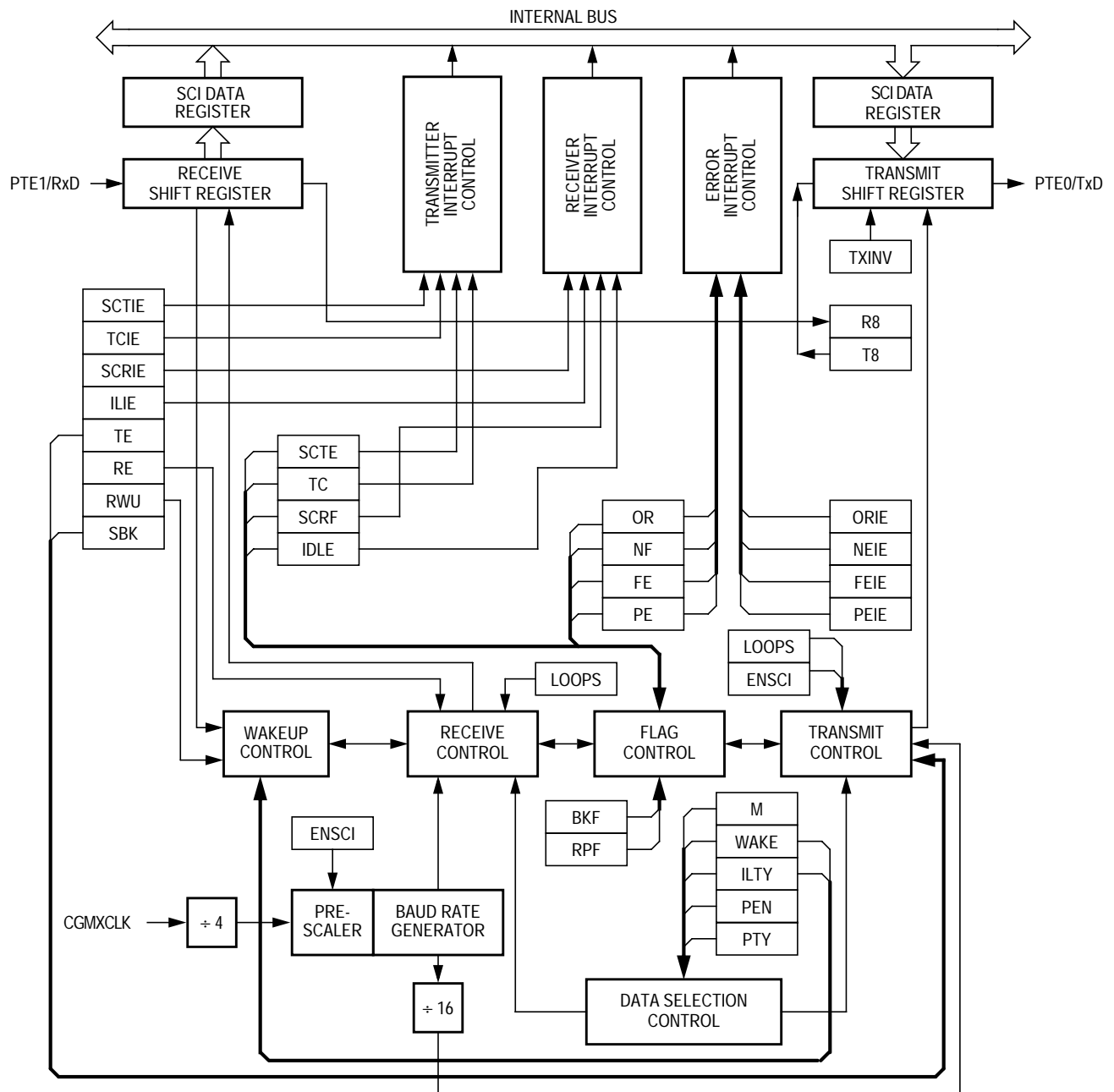


Figure 17-1. SCI Module Block Diagram

Table 17-1. SCI I/O Register Summary

Addr.	Register Name		Bit 7	6	5	4	3	2	1	Bit 0
\$0013	SCI Control Register 1 (SCC1)	Read:	LOOPS	ENSCI	TXINV	M	WAKE	ILTY	PEN	PTY
		Write:								
\$0014	SCI Control Register 2 (SCC2)	Read:	SCTIE	TCIE	SCRIE	ILIE	TE	RE	RWU	SBK
		Write:								
\$0015	SCI Control Register 3 (SCC3)	Read:	R8	T8	R	R	ORIE	NEIE	FEIE	PEIE
		Write:	R							
\$0016	SCI Status Register 1 (SCS1)	Read:	SCTE	TC	SCRf	IDLE	OR	NF	FE	PE
		Write:	R	R	R	R	R	R	R	R
\$0017	SCI Status Register 2 (SCS2)	Read:	0	0	0	0	0	0	BKF	RPF
		Write:	R	R	R	R	R	R	R	R
\$0018	SCI Data Register (SCDR)	Read:	R7	R6	R5	R4	R3	R2	R1	R0
		Write:	T7	T6	T5	T4	T3	T2	T1	T0
\$0019	SCI Baud Rate Register (SCBR)	Read:	0	0	SCP1	SCP0	R	SCR2	SCR1	SCR0
		Write:	R	R						

R

 = Reserved

Serial Communications Interface (SCI)

17.4.1 Data Format

The SCI uses the standard non-return-to-zero mark/space data format illustrated in [Figure 17-2](#).

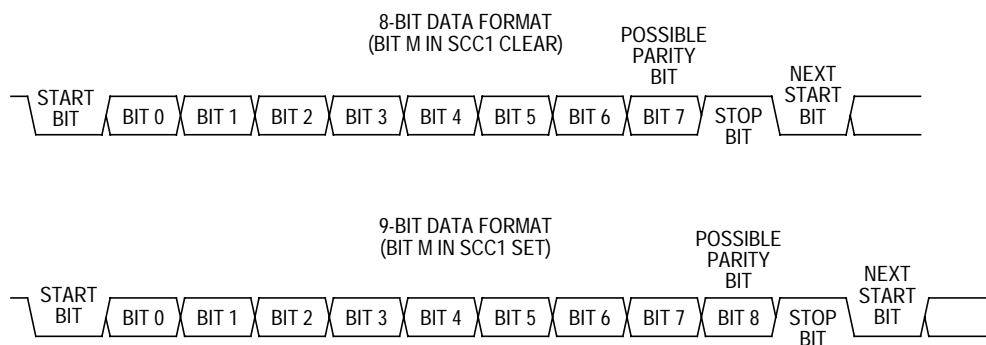


Figure 17-2. SCI Data Formats

17.4.2 Transmitter

[Figure 17-3](#) shows the structure of the SCI transmitter.

17.4.3 Character Length

The transmitter can accommodate either 8-bit or 9-bit data. The state of the M bit in SCI control register 1 (SCC1) determines character length. When transmitting 9-bit data, bit T8 in SCI control register 3 (SCC3) is the ninth bit (bit 8).

17.4.4 Character Transmission

During an SCI transmission, the transmit shift register shifts a character out to the PTE0/TxD pin. The SCI data register (SCDR) is the write-only buffer between the internal data bus and the transmit shift register. To initiate an SCI transmission:

1. Initialize the Tx and Rx rate in the SCI baud register (SCBR) (\$0019) see [17.9.7 SCI Baud Rate Register](#).
2. Enable the SCI by writing a logic 1 to ENSCI in SCI control register 1 (SCC1) (\$0013).
3. Enable the transmitter by writing a logic 1 to the transmitter enable bit (TE) in SCI control register 2 (SCC2) (\$0014).
4. Clear the SCI transmitter empty bit (SCTE) by first reading SCI status register (SCS1) (\$0016) and then writing to the SCDR (\$0018).
5. Repeat step 3 for each subsequent transmission.

At the start of a transmission, transmitter control logic automatically loads the transmit shift register with a preamble of 10 or 11 logic 1s. After the preamble shifts out, control logic transfers the SCDR data into the transmit shift register. A logic 0 start bit automatically goes into the least significant bit position of the transmit shift register. A logic 1 stop bit goes into the most significant bit position.

The SCI transmitter empty bit, SCTE in the SCI status control register (SCS1), becomes set when the SCDR transfers a byte to the transmit shift register. The SCTE bit indicates that the SCDR can accept new data from the internal data bus. If the SCI transmit interrupt enable bit, SCTIE (SCC2), is also set, the SCTE bit generates a transmitter CPU interrupt request.

When the transmit shift register is not transmitting a character, the PTE0/TxD pin goes to the idle condition, logic 1. If at any time software clears the ENSCI bit in SCI control register 1 (SCC1), the transmitter and receiver relinquish control of the port E pins.

Serial Communications Interface (SCI)

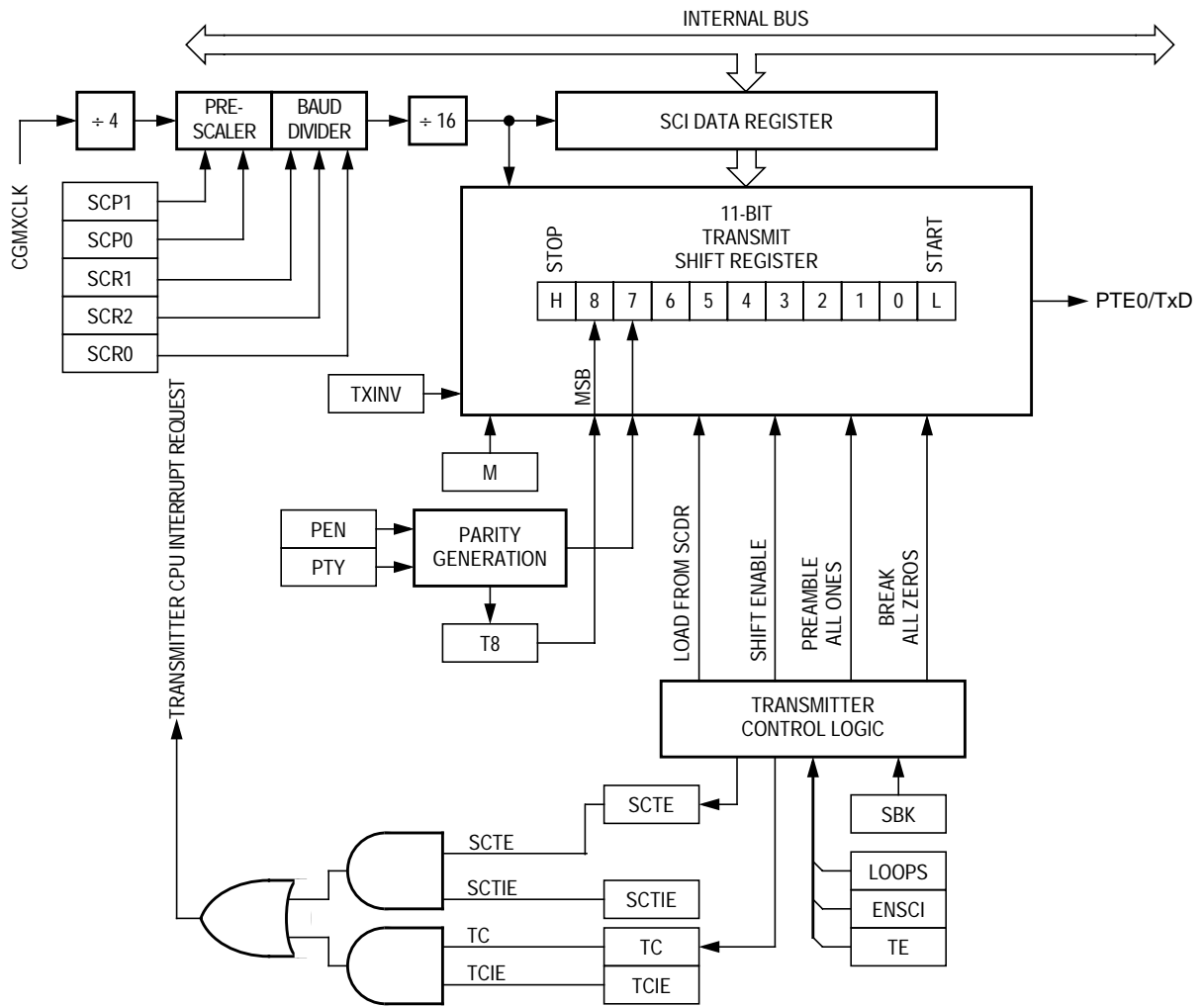


Figure 17-3. SCI Transmitter

Table 17-2. SCI Transmitter I/O Register Summary

Addr.	Register Name		Bit 7	6	5	4	3	2	1	Bit 0
\$0013	SCI Control Register 1 (SCC1)	Read:	LOOPS	ENSCI	TXINV	M	WAKE	ILTY	PEN	PTY
		Write:								
\$0014	SCI Control Register 2 (SCC2)	Read:	SCTIE	TCIE	SCRIE	ILIE	TE	RE	RWU	SBK
		Write:								
\$0015	SCI Control Register 3 (SCC3)	Read:	R8	T8	R	R	ORIE	NEIE	FEIE	PEIE
		Write:	R							
\$0016	SCI Status Register 1 (SCS1)	Read:	SCTE	TC	SCRf	IDLE	OR	NF	FE	PE
		Write:	R	R	R	R	R	R	R	R
\$0017	SCI Status Register 2 (SCS2)	Read:	0	0	0	0	0	0	BKF	RPF
		Write:	R	R	R	R	R	R	R	R
\$0018	SCI Data Register (SCDR)	Read:	R7	R6	R5	R4	R3	R2	R1	R0
		Write:	T7	T6	T5	T4	T3	T2	T1	T0
\$0019	SCI Baud Rate Register (SCBR)	Read:	0	0	SCP1	SCP0	R	SCR2	SCR1	SCR0
		Write:	R	R						

R

 = Reserved

17.4.5 Break Characters

Writing a logic 1 to the send break bit, SBK (SCC2), loads the transmit shift register with a break character. A break character contains all logic 0s and has no start, stop, or parity bit. Break character length depends on the M bit (SCC1). As long as SBK is at logic 1, transmitter logic continuously loads break characters into the transmit shift register. After software clears the SBK bit, the shift register finishes transmitting the last break character and then transmits at least one logic 1. The automatic logic 1 at the end of a break character guarantees the recognition of the start bit of the next character.

The SCI recognizes a break character when a start bit is followed by eight or nine logic 0 data bits and a logic 0 where the stop bit should be. Receiving a break character has the following effects on SCI registers:

- Sets the framing error bit (FE) in SCS1
- Sets the SCI receiver full bit (SCRF) in SCS1
- Clears the SCI data register (SCDR)
- Clears the R8 bit in SCC3
- Sets the break flag bit (BKF) in SCS2
- May set the overrun (OR), noise flag (NF), parity error (PE), or reception in progress flag (RPF) bits

17.4.6 Idle Characters

An idle character contains all logic 1s and has no start, stop, or parity bit. Idle character length depends on the M bit (mode character length) in SCC1. The preamble is a synchronizing idle character that begins every transmission.

If the TE bit (transmitter enable) is cleared during a transmission, the PTE0/TxD pin becomes idle after completion of the transmission in progress. Clearing and then setting the TE bit during a transmission queues an idle character to be sent after the character currently being transmitted.

NOTE: *When queuing an idle character, return the TE bit to logic 1 before the stop bit of the current character shifts out to the PTE0/TxD pin. Setting TE after the stop bit appears on PTE0/TxD causes loss of data previously written to the SCDR.*

A good time to toggle the TE bit is when the SCTE bit becomes set and just before writing the next byte to the SCDR.

17.4.7 Inversion of Transmitted Output

The transmit inversion bit (TXINV) in SCI control register 1 (SCC1) reverses the polarity of transmitted data. All transmitted values, including idle, break, start, and stop bits, are inverted when TXINV is at logic 1. (See [17.9.1 SCI Control Register 1.](#))

17.4.8 Transmitter Interrupts

The following conditions can generate CPU interrupt requests from the SCI transmitter:

- SCI transmitter empty (SCTE) — The SCTE bit in SCS1 indicates that the SCDR has transferred a character to the transmit shift register. SCTE can generate a transmitter CPU interrupt request. Setting the SCI transmit interrupt enable bit, SCTIE (SCC2), enables the SCTE bit to generate transmitter CPU interrupt requests.
- Transmission complete (TC) — The TC bit in SCS1 indicates that the transmit shift register and the SCDR are empty and that no break or idle character has been generated. The transmission complete interrupt enable bit, TCIE (SCC2), enables the TC bit to generate transmitter CPU interrupt requests.

17.4.9 Receiver

Figure 17-4 shows the structure of the SCI receiver.

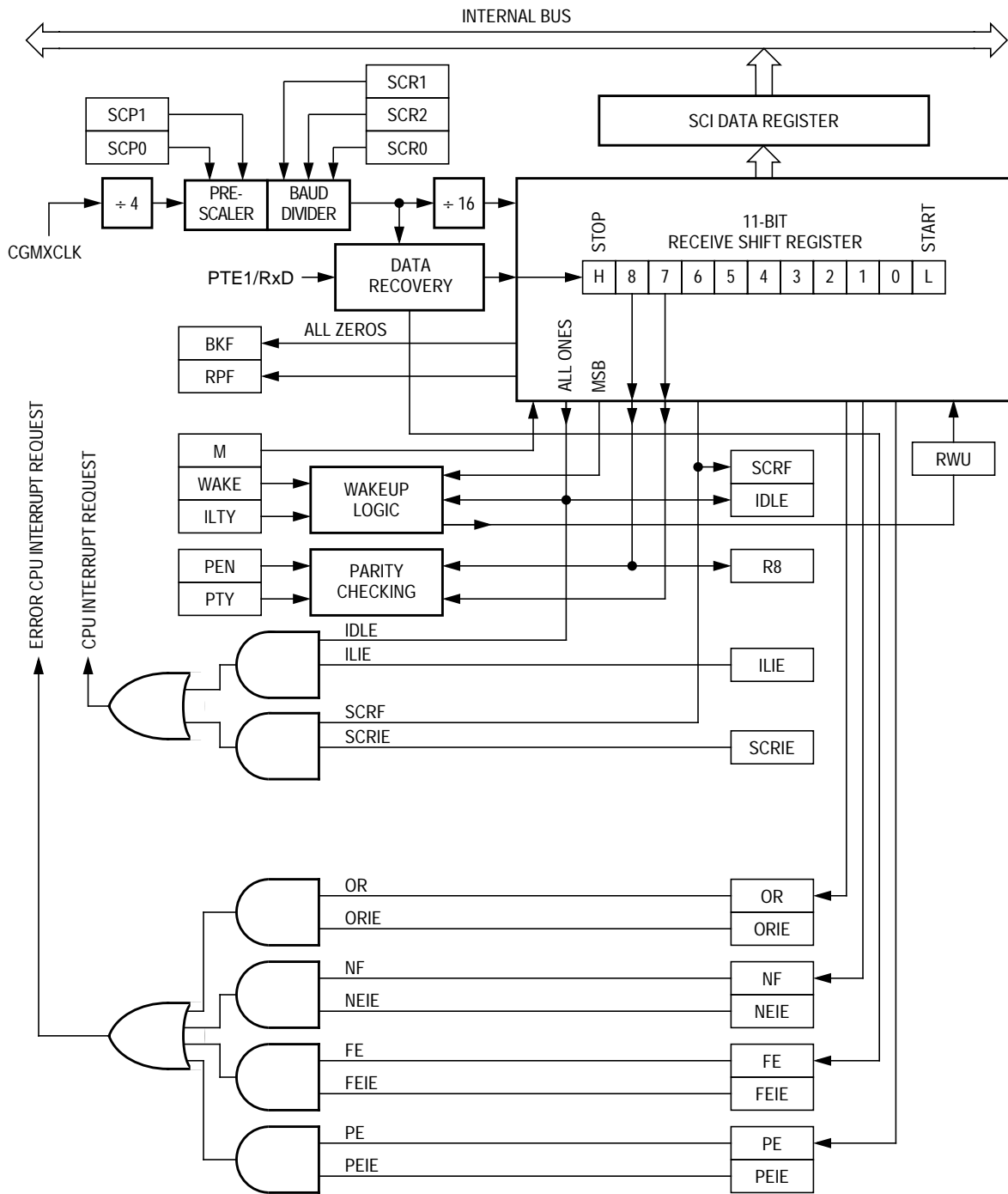


Figure 17-4. SCI Receiver Block Diagram

Serial Communications Interface (SCI)

Table 17-3. SCI Receiver I/O Register Summary

Addr.	Register Name		Bit 7	6	5	4	3	2	1	Bit 0
\$0013	SCI Control Register 1 (SCC1)	Read:	LOOPS	ENSCI	TXINV	M	WAKE	ILTY	PEN	PTY
		Write:								
\$0014	SCI Control Register 2 (SCC2)	Read:	SCTIE	TCIE	SCRIE	ILIE	TE	RE	RWU	SBK
		Write:								
\$0015	SCI Control Register 3 (SCC3)	Read:	R8	T8	R	R	ORIE	NEIE	FEIE	PEIE
		Write:	R							
\$0016	SCI Status Register 1 (SCS1)	Read:	SCTE	TC	SCRf	IDLE	OR	NF	FE	PE
		Write:	R	R	R	R	R	R	R	R
\$0017	SCI Status Register 2 (SCS2)	Read:	0	0	0	0	0	0	BKF	RPF
		Write:	R	R	R	R	R	R	R	R
\$0018	SCI Data Register (SCDR)	Read:	R7	R6	R5	R4	R3	R2	R1	R0
		Write:	T7	T6	T5	T4	T3	T2	T1	T0
\$0019	SCI Baud Rate Register (SCBR)	Read:	0	0	SCP1	SCP0	R	SCR2	SCR1	SCR0
		Write:	R	R						

R

 = Reserved

17.4.10 Character Length

The receiver can accommodate either 8-bit or 9-bit data. The state of the M bit in SCI control register 1 (SCC1) determines character length. When receiving 9-bit data, bit R8 in SCI control register 2 (SCC2) is the ninth bit (bit 8). When receiving 8-bit data, bit R8 is a copy of the eighth bit (bit 7).

17.4.11 Character Reception

During an SCI reception, the receive shift register shifts characters in from the PTE1/RxD pin. The SCI data register (SCDR) is the read-only buffer between the internal data bus and the receive shift register.

After a complete character shifts into the receive shift register, the data portion of the character transfers to the SCDR. The SCI receiver full bit, SCRF, in SCI status register 1 (SCS1) becomes set, indicating that the received byte can be read. If the SCI receive interrupt enable bit, SCRIE (SCC2), is also set, the SCRF bit generates a receiver CPU interrupt request.

17.4.12 Data Sampling

The receiver samples the PTE1/RxD pin at the RT clock rate. The RT clock is an internal signal with a frequency 16 times the baud rate. To adjust for baud rate mismatch, the RT clock is resynchronized at the following times (see [Figure 17-5](#)):

- After every start bit
- After the receiver detects a data bit change from logic 1 to logic 0 (after the majority of data bit samples at RT8, RT9, and RT10 returns a valid logic 1 and the majority of the next RT8, RT9, and RT10 samples returns a valid logic 0)

To locate the start bit, data recovery logic does an asynchronous search for a logic 0 preceded by three logic 1s. When the falling edge of a possible start bit occurs, the RT clock begins to count to 16.

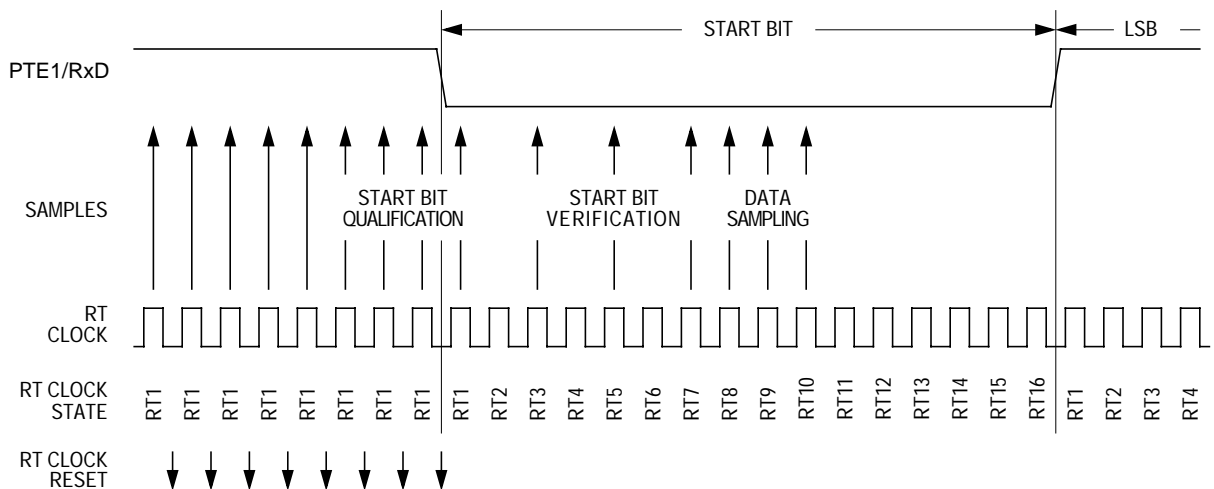


Figure 17-5. Receiver Data Sampling

To verify the start bit and to detect noise, data recovery logic takes samples at RT3, RT5, and RT7. **Table 17-4** summarizes the results of the start bit verification samples.

Table 17-4. Start Bit Verification

RT3, RT5, and RT7 Samples	Start Bit Verification	Noise Flag
000	Yes	0
001	Yes	1
010	Yes	1
011	No	0
100	Yes	1
101	No	0
110	No	0
111	No	0

If start bit verification is not successful, the RT clock is reset and a new search for a start bit begins.

To determine the value of a data bit and to detect noise, recovery logic takes samples at RT8, RT9, and RT10. **Table 17-5** summarizes the results of the data bit samples.

Table 17-5. Data Bit Recovery

RT8, RT9, and RT10 Samples	Data Bit Determination	Noise Flag
000	0	0
001	0	1
010	0	1
011	1	1
100	0	1
101	1	1
110	1	1
111	1	0

NOTE: The RT8, RT9, and RT10 samples do not affect start bit verification. If any or all of the RT8, RT9, and RT10 start bit samples are logic 1s following a successful start bit verification, the noise flag (NF) is set and the receiver assumes that the bit is a start bit.

To verify a stop bit and to detect noise, recovery logic takes samples at RT8, RT9, and RT10. [Table 17-6](#) summarizes the results of the stop bit samples.

Table 17-6. Stop Bit Recovery

RT8, RT9, and RT10 Samples	Framing Error Flag	Noise Flag
000	1	0
001	1	1
010	1	1
011	0	1
100	1	1
101	0	1
110	0	1
111	0	0

17.4.13 Framing Errors

If the data recovery logic does not detect a logic 1 where the stop bit should be in an incoming character, it sets the framing error bit, FE, in SCS1. The FE flag is set at the same time that the SCRF bit (SCS1) is set. A break character that has no stop bit also sets the FE bit.

17.4.14 Receiver Wakeup

So that the MCU can ignore transmissions intended only for other receivers in multiple-receiver systems, the receiver can be put into a standby state. Setting the receiver wakeup bit, RWU (SCC2), puts the receiver into a standby state during which receiver interrupts are disabled.

Depending on the state of the WAKE bit in SCC1, either of two conditions on the PTE1/RxD pin can bring the receiver out of the standby state:

- Address mark — An address mark is a logic 1 in the most significant bit position of a received character. When the WAKE bit is set, an address mark wakes the receiver from the standby state by clearing the RWU bit. The address mark also sets the SCI receiver full bit, SCRF. Software can then compare the character containing the address mark to the user-defined address of the receiver. If they are the same, the receiver remains awake and processes the characters that follow. If they are not the same, software can set the RWU bit and put the receiver back into the standby state.
- Idle input line condition — When the WAKE bit is clear, an idle character on the PTE1/RxD pin wakes the receiver from the standby state by clearing the RWU bit. The idle character that wakes the receiver does not set the receiver idle bit, IDLE, or the SCI receiver full bit, SCRF. The idle line type bit, ILTY, determines whether the receiver begins counting logic 1s as idle character bits after the start bit or after the stop bit.

NOTE: *Clearing the WAKE bit after the PTE1/RxD pin has been idle may cause the receiver to wake up immediately.*

17.5 Receiver Interrupts

The following sources can generate CPU interrupt requests from the SCI receiver:

- SCI receiver full (SCRF) — The SCRF bit in SCS1 indicates that the receive shift register has transferred a character to the SCDR. SCRF can generate a receiver CPU interrupt request. Setting the SCI receive interrupt enable bit, SCRIE (SCC2), enables the SCRF bit to generate receiver CPU interrupts.

- Idle input (IDLE) — The IDLE bit in SCS1 indicates that 10 or 11 consecutive logic 1s shifted in from the PTE1/RxD pin. The idle line interrupt enable bit, ILIE (SCC2), enables the IDLE bit to generate CPU interrupt requests.

17.5.1 Error Interrupts

The following receiver error flags in SCS1 can generate CPU interrupt requests:

- Receiver overrun (OR) — The OR bit indicates that the receive shift register shifted in a new character before the previous character was read from the SCDR. The previous character remains in the SCDR, and the new character is lost. The overrun interrupt enable bit, ORIE (SCC3), enables OR to generate SCI error CPU interrupt requests.
- Noise flag (NF) — The NF bit is set when the SCI detects noise on incoming data or break characters, including start, data, and stop bits. The noise error interrupt enable bit, NEIE (SCC3), enables NF to generate SCI error CPU interrupt requests.
- Framing error (FE) — The FE bit in SCS1 is set when a logic 0 occurs where the receiver expects a stop bit. The framing error interrupt enable bit, FEIE (SCC3), enables FE to generate SCI error CPU interrupt requests.
- Parity error (PE) — The PE bit in SCS1 is set when the SCI detects a parity error in incoming data. The parity error interrupt enable bit, PEIE (SCC3), enables PE to generate SCI error CPU interrupt requests.

17.6 Low-Power Modes

The WAIT and STOP instructions put the MCU in low-power standby modes.

17.6.1 Wait Mode

The SCI module remains active after the execution of a WAIT instruction. In wait mode, the SCI module registers are not accessible by the CPU. Any enabled CPU interrupt request from the SCI module can bring the MCU out of wait mode.

If SCI module functions are not required during wait mode, reduce power consumption by disabling the module before executing the WAIT instruction.

17.6.2 Stop Mode

The SCI module is inactive after the execution of a STOP instruction. The STOP instruction does not affect SCI register states. SCI module operation resumes after an external interrupt.

Because the internal clock is inactive during stop mode, entering stop mode during an SCI transmission or reception results in invalid data.

17.7 SCI During Break Module Interrupts

The system integration module (SIM) controls whether status bits in other modules can be cleared during interrupts generated by the break module. The BCFE bit in the SIM break flag control register (SBFCR) enables software to clear status bits during the break state.

To allow software to clear status bits during a break interrupt, write a logic 1 to the BCFE bit. If a status bit is cleared during the break state, it remains cleared when the MCU exits the break state.

To protect status bits during the break state, write a logic 0 to the BCFE bit. With BCFE at logic 0 (its default state), software can read and write

I/O registers during the break state without affecting status bits. Some status bits have a 2-step read/write clearing procedure. If software does the first step on such a bit before the break, the bit cannot change during the break state as long as BCFE is at logic 0. After the break, doing the second step clears the status bit.

17.8 I/O Signals

Port E shares two of its pins with the SCI module. The two SCI I/O pins are:

- PTE0/TxD — Transmit data
- PTE1/RxD — Receive data

17.8.1 PTE0/TxD (Transmit Data)

The PTE0/TxD pin is the serial data output from the SCI transmitter. The SCI shares the PTE0/TxD pin with port E. When the SCI is enabled, the PTE0/TxD pin is an output regardless of the state of the DDRE0 bit in data direction register E (DDRE).

17.8.2 PTE1/RxD (Receive Data)

The PTE1/RxD pin is the serial data input to the SCI receiver. The SCI shares the PTE1/RxD pin with port E. When the SCI is enabled, the PTE1/RxD pin is an input regardless of the state of the DDRE1 bit in data direction register E (DDRE).

17.9 I/O Registers

These I/O registers control and monitor SCI operation:

- SCI control register 1 (SCC1)
- SCI control register 2 (SCC2)
- SCI control register 3 (SCC3)
- SCI status register 1 (SCS1)
- SCI status register 2 (SCS2)
- SCI data register (SCDR)
- SCI baud rate register (SCBR)

17.9.1 SCI Control Register 1

SCI control register 1:

- Enables loop mode operation
- Enables the SCI
- Controls output polarity
- Controls character length
- Controls SCI wakeup method
- Controls idle character detection
- Enables parity function
- Controls parity type

Address: \$0013

	Bit 7	6	5	4	3	2	1	Bit 0
Read:	LOOPS	ENSCI	TXINV	M	WAKE	ILTY	PEN	PTY
Write:								
Reset:	0	0	0	0	0	0	0	0

Figure 17-6. SCI Control Register 1 (SCC1)

LOOPS — Loop Mode Select Bit

This read/write bit enables loop mode operation. In loop mode the PTE1/RxD pin is disconnected from the SCI, and the transmitter output goes into the receiver input. Both the transmitter and the receiver must be enabled to use loop mode. Reset clears the LOOPS bit.

- 1 = Loop mode enabled
- 0 = Normal operation enabled

ENSCI — Enable SCI Bit

This read/write bit enables the SCI and the SCI baud rate generator. Clearing ENSCI sets the SCTE and TC bits in SCI status register 1 and disables transmitter interrupts. Reset clears the ENSCI bit.

- 1 = SCI enabled
- 0 = SCI disabled

TXINV — Transmit Inversion Bit

This read/write bit reverses the polarity of transmitted data. Reset clears the TXINV bit.

- 1 = Transmitter output inverted
- 0 = Transmitter output not inverted

NOTE: *Setting the TXINV bit inverts all transmitted values, including idle, break, start, and stop bits.*

M — Mode (Character Length) Bit

This read/write bit determines whether SCI characters are eight or nine bits long. (See [Table 17-7](#).) The ninth bit can serve as an extra stop bit, as a receiver wakeup signal, or as a parity bit. Reset clears the M bit.

- 1 = 9-bit SCI characters
- 0 = 8-bit SCI characters

WAKE — Wakeup Condition Bit

This read/write bit determines which condition wakes up the SCI: a logic 1 (address mark) in the most significant bit position of a received character or an idle condition on the PTE1/RxD pin. Reset clears the WAKE bit.

- 1 = Address mark wakeup
- 0 = Idle line wakeup

ILTY — Idle Line Type Bit

This read/write bit determines when the SCI starts counting logic 1s as idle character bits. The counting begins either after the start bit or after the stop bit. If the count begins after the start bit, then a string of logic 1s preceding the stop bit can cause false recognition of an idle character. Beginning the count after the stop bit avoids false idle character recognition, but requires properly synchronized transmissions. Reset clears the ILTY bit.

- 1 = Idle character bit count begins after stop bit
- 0 = Idle character bit count begins after start bit

PEN — Parity Enable Bit

This read/write bit enables the SCI parity function. (See [Table 17-7](#).) When enabled, the parity function inserts a parity bit in the most significant bit position. (See [Figure 17-2](#).) Reset clears the PEN bit.

- 1 = Parity function enabled
- 0 = Parity function disabled

PTY — Parity Bit

This read/write bit determines whether the SCI generates and checks for odd parity or even parity. (See [Table 17-7](#).) Reset clears the PTY bit.

1 = Odd parity

0 = Even parity

NOTE: *Changing the PTY bit in the middle of a transmission or reception can generate a parity error.*

Table 17-7. Character Format Selection

Control Bits		Character Format				
M	PEN:PTY	Start Bits	Data Bits	Parity	Stop Bits	Character Length
0	0X	1	8	None	1	10 Bits
1	0X	1	9	None	1	11 Bits
0	10	1	7	Even	1	10 Bits
0	11	1	7	Odd	1	10 Bits
1	10	1	8	Even	1	11 Bits
1	11	1	8	Odd	1	11 Bits

17.9.2 SCI Control Register 2

SCI control register 2:

- Enables the following CPU interrupt requests:
 - Enables the SCTE bit to generate transmitter CPU interrupt requests
 - Enables the TC bit to generate transmitter CPU interrupt requests
 - Enables the SCRF bit to generate receiver CPU interrupt requests
 - Enables the IDLE bit to generate receiver CPU interrupt requests
- Enables the transmitter
- Enables the receiver
- Enables SCI wakeup
- Transmits SCI break characters

Address: \$0014

	Bit 7	6	5	4	3	2	1	Bit 0
Read:	SCTIE	TCIE	SCRIE	ILIE	TE	RE	RWU	SBK
Write:								
Reset:	0	0	0	0	0	0	0	0

Figure 17-7. SCI Control Register 2 (SCC2)

SCTIE — SCI Transmit Interrupt Enable Bit

This read/write bit enables the SCTE bit to generate SCI transmitter CPU interrupt requests. Reset clears the SCTIE bit.

1 = SCTE enabled to generate CPU interrupt requests

0 = SCTE not enabled to generate CPU interrupt requests

TCIE — Transmission Complete Interrupt Enable Bit

This read/write bit enables the TC bit to generate SCI transmitter CPU interrupt requests. Reset clears the TCIE bit.

1 = TC enabled to generate CPU interrupt requests

0 = TC not enabled to generate CPU interrupt requests

SCRIE — SCI Receive Interrupt Enable Bit

This read/write bit enables the SCRF bit to generate SCI receiver CPU interrupt requests. Reset clears the SCRIE bit.

1 = SCRF enabled to generate CPU interrupt requests

0 = SCRF not enabled to generate CPU interrupt requests

ILIE — Idle Line Interrupt Enable Bit

This read/write bit enables the IDLE bit to generate SCI receiver CPU interrupt requests. Reset clears the ILIE bit.

1 = IDLE enabled to generate CPU interrupt requests

0 = IDLE not enabled to generate CPU interrupt requests

TE — Transmitter Enable Bit

Setting this read/write bit begins the transmission by sending a preamble of 10 or 11 logic 1s from the transmit shift register to the PTE0/TxD pin. If software clears the TE bit, the transmitter completes any transmission in progress before the PTE0/TxD returns to the idle condition (logic 1). Clearing and then setting TE during a transmission queues an idle character to be sent after the character currently being transmitted. Reset clears the TE bit.

1 = Transmitter enabled

0 = Transmitter disabled

NOTE: *Writing to the TE bit is not allowed when the enable SCI bit (ENSCI) is clear. ENSCI is in SCI control register 1.*

RE — Receiver Enable Bit

Setting this read/write bit enables the receiver. Clearing the RE bit disables the receiver but does not affect receiver interrupt flag bits.

Reset clears the RE bit.

1 = Receiver enabled

0 = Receiver disabled

NOTE: *Writing to the RE bit is not allowed when the enable SCI bit (ENSCI) is clear. ENSCI is in SCI control register 1.*

RWU — Receiver Wakeup Bit

This read/write bit puts the receiver in a standby state during which receiver interrupts are disabled. The WAKE bit in SCC1 determines whether an idle input or an address mark brings the receiver out of the standby state and clears the RWU bit. Reset clears the RWU bit.

- 1 = Standby state
- 0 = Normal operation

SBK — Send Break Bit

Setting and then clearing this read/write bit transmits a break character followed by a logic 1. The logic 1 after the break character guarantees recognition of a valid start bit. If SBK remains set, the transmitter continuously transmits break characters with no logic 1s between them. Reset clears the SBK bit.

- 1 = Transmit break characters
- 0 = No break characters transmitted

NOTE: *Do not toggle the SBK bit immediately after setting the SCTE bit because toggling SBK too early causes the SCI to send a break character instead of a preamble.*

17.9.3 SCI Control Register 3

SCI control register 3:

- Stores the ninth SCI data bit received and the ninth SCI data bit to be transmitted
- Enables these interrupts:
 - Receiver overrun interrupts
 - Noise error interrupts
 - Framing error interrupts
 - Parity error interrupts

Serial Communications Interface (SCI)

Address: \$0015

	Bit 7	6	5	4	3	2	1	Bit 0
Read:	R8	T8	R	R	ORIE	NEIE	FEIE	PEIE
Write:	R							
Reset:	U	U	0	0	0	0	0	0

R = Reserved U = Unaffected

Figure 17-8. SCI Control Register 3 (SCC3)

R8 — Received Bit 8

When the SCI is receiving 9-bit characters, R8 is the read-only ninth bit (bit 8) of the received character. R8 is received at the same time that the SCDR receives the other eight bits.

When the SCI is receiving 8-bit characters, R8 is a copy of the eighth bit (bit 7). Reset has no effect on the R8 bit.

T8 — Transmitted Bit 8

When the SCI is transmitting 9-bit characters, T8 is the read/write ninth bit (bit 8) of the transmitted character. T8 is loaded into the transmit shift register at the same time that the SCDR is loaded into the transmit shift register. Reset has no effect on the T8 bit.

ORIE — Receiver Overrun Interrupt Enable Bit

This read/write bit enables SCI error CPU interrupt requests generated by the receiver overrun bit, OR.

- 1 = SCI error CPU interrupt requests from OR bit enabled
- 0 = SCI error CPU interrupt requests from OR bit disabled

NEIE — Receiver Noise Error Interrupt Enable Bit

This read/write bit enables SCI error CPU interrupt requests generated by the noise error bit, NE. Reset clears NEIE.

- 1 = SCI error CPU interrupt requests from NE bit enabled
- 0 = SCI error CPU interrupt requests from NE bit disabled

FEIE — Receiver Framing Error Interrupt Enable Bit

This read/write bit enables SCI error CPU interrupt requests generated by the framing error bit, FE. Reset clears FEIE.

- 1 = SCI error CPU interrupt requests from FE bit enabled
- 0 = SCI error CPU interrupt requests from FE bit disabled

PEIE — Receiver Parity Error Interrupt Enable Bit

This read/write bit enables SCI receiver CPU interrupt requests generated by the parity error bit, PE. (See **Figure 17-9.**) Reset clears PEIE.

- 1 = SCI error CPU interrupt requests from PE bit enabled
- 0 = SCI error CPU interrupt requests from PE bit disabled

17.9.4 SCI Status Register 1

SCI status register 1 contains flags to signal the following conditions:

- Transfer of SCDR data to transmit shift register complete
- Transmission complete
- Transfer of receive shift register data to SCDR complete
- Receiver input idle
- Receiver overrun
- Noisy data
- Framing error
- Parity error

Address: \$0016

	Bit 7	6	5	4	3	2	1	Bit 0
Read:	SCTE	TC	SCRf	IDLE	OR	NF	FE	PE
Write:	R	R	R	R	R	R	R	R
Reset:	1	1	0	0	0	0	0	0

R = Reserved

Figure 17-9. SCI Status Register 1 (SCS1)

SCTE — SCI Transmitter Empty Bit

This clearable, read-only bit is set when the SCDR transfers a character to the transmit shift register. SCTE can generate an SCI transmitter CPU interrupt request. When the SCTIE bit in SCC2 is set, SCTE generates an SCI transmitter CPU interrupt request. In normal operation, clear the SCTE bit by reading SCS1 with SCTE set and then writing to SCDR. Reset sets the SCTE bit.

- 1 = SCDR data transferred to transmit shift register
- 0 = SCDR data not transferred to transmit shift register

NOTE: *Setting the TE bit for the first time also sets the SCTE bit. Setting the TE and SCTIE bits generates an SCI transmitter CPU request.*

TC — Transmission Complete Bit

This read-only bit is set when the SCTE bit is set and no data, preamble, or break character is being transmitted. TC generates an SCI transmitter CPU interrupt request if the TCIE bit in SCC2 is also set. TC is cleared automatically when data, preamble, or break character is queued and ready to be sent. There may be up to 1.5 transmitter clocks of latency between queueing data, preamble, and break character and the transmission actually starting. Reset sets the TC bit.

- 1 = No transmission in progress
- 0 = Transmission in progress

SCRF — SCI Receiver Full Bit

This clearable, read-only bit is set when the data in the receive shift register transfers to the SCI data register. SCRF can generate an SCI receiver CPU interrupt request. In normal operation, clear the SCRF bit by reading SCS1 with SCRF set and then reading the SCDR. Reset clears SCRF.

- 1 = Received data available in SCDR
- 0 = Data not available in SCDR

IDLE — Receiver Idle Bit

This clearable, read-only bit is set when 10 or 11 consecutive logic 1s appear on the receiver input. IDLE generates an SCI error CPU interrupt request if the ILIE bit in SCC2 also is set and the DMARE bit

in SCC3 is clear. Clear the IDLE bit by reading SCS1 with IDLE set and then reading the SCDR. After the receiver is enabled, it must receive a valid character that sets the SCRF bit before an idle condition can set the IDLE bit. Also, after the IDLE bit has been cleared, a valid character must again set the SCRF bit before an idle condition can set the IDLE bit. Reset clears the IDLE bit.

1 = Receiver input idle

0 = Receiver input active (or idle since the IDLE bit was cleared)

OR — Receiver Overrun Bit

This clearable, read-only bit is set when software fails to read the SCDR before the receive shift register receives the next character. The OR bit generates an SCI error CPU interrupt request if the ORIE bit in SCC3 is also set. The data in the shift register is lost, but the data already in the SCDR is not affected. Clear the OR bit by reading SCS1 with OR set and then reading the SCDR. Reset clears the OR bit.

1 = Receive shift register full and SCRF = 1

0 = No receiver overrun

Software latency may allow an overrun to occur between reads of SCS1 and SCDR in the flag-clearing sequence. [Figure 17-10](#) shows the normal flag-clearing sequence and an example of an overrun caused by a delayed flag-clearing sequence. The delayed read of SCDR does not clear the OR bit because OR was not set when SCS1 was read. Byte 2 caused the overrun and is lost. The next flag-clearing sequence reads byte 3 in the SCDR instead of byte 2.

In applications that are subject to software latency or in which it is important to know which byte is lost due to an overrun, the flag-clearing routine can check the OR bit in a second read of SCS1 after reading the data register.

NF — Receiver Noise Flag Bit

This clearable, read-only bit is set when the SCI detects noise on the PTE1/RxD pin. NF generates an NF CPU interrupt request if the NEIE bit in SCC3 is also set. Clear the NF bit by reading SCS1 and then reading the SCDR. Reset clears the NF bit.

1 = Noise detected

0 = No noise detected

Serial Communications Interface (SCI)

FE — Receiver Framing Error Bit

This clearable, read-only bit is set when a logic 0 is accepted as the stop bit. FE generates an SCI error CPU interrupt request if the FEIE bit in SCC3 also is set. Clear the FE bit by reading SCS1 with FE set and then reading the SCDR. Reset clears the FE bit.

- 1 = Framing error detected
- 0 = No framing error detected

PE — Receiver Parity Error Bit

This clearable, read-only bit is set when the SCI detects a parity error in incoming data. PE generates a PE CPU interrupt request if the PEIE bit in SCC3 is also set. Clear the PE bit by reading SCS1 with PE set and then reading the SCDR. Reset clears the PE bit.

- 1 = Parity error detected
- 0 = No parity error detected

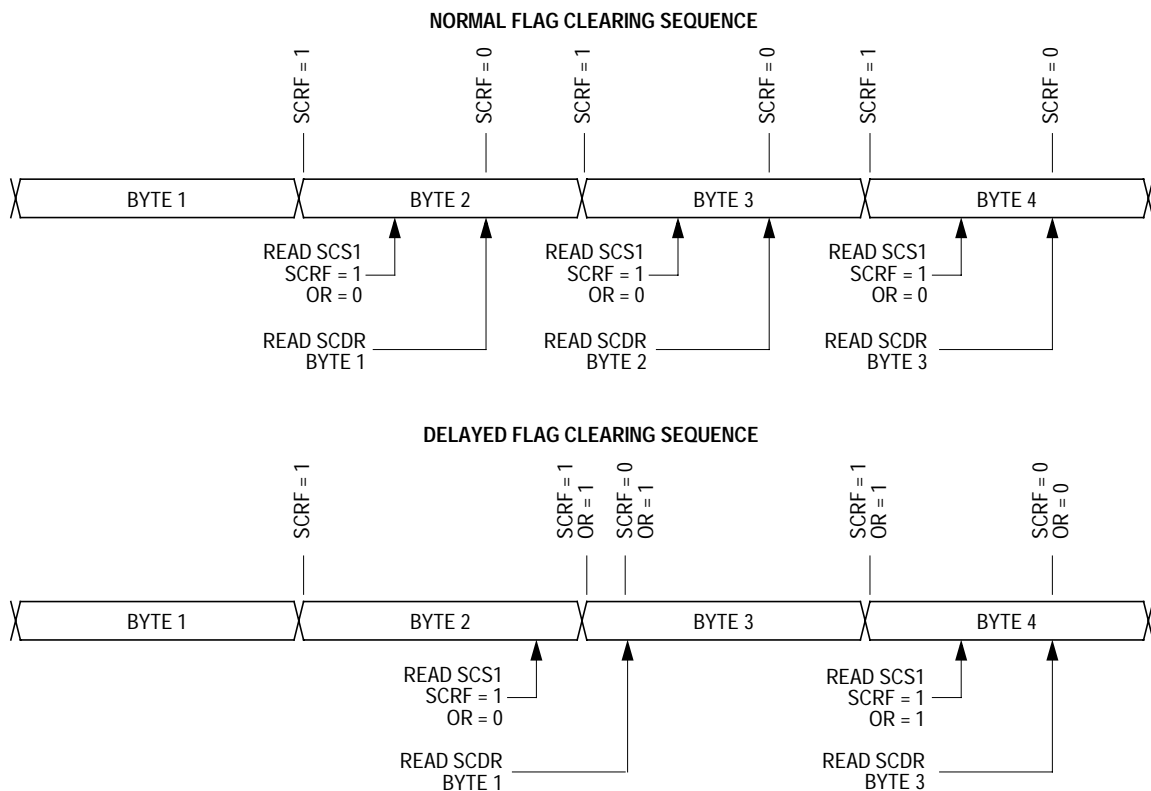


Figure 17-10. Flag Clearing Sequence

17.9.5 SCI Status Register 2

SCI status register 2 contains flags to signal two conditions:

1. Break character detected
2. Incoming data

Address: \$0017

	Bit 7	6	5	4	3	2	1	Bit 0
Read:	R	R	R	R	R	R	BKF	RPF
Write:							R	R
Reset:	0	0	0	0	0	0	0	0

R = Reserved

Figure 17-11. SCI Status Register 2 (SCS2)

BKF — Break Flag Bit

This clearable, read-only bit is set when the SCI detects a break character on the PTE1/RxD pin. In SCS1, the FE and SCRF bits are also set. In 9-bit character transmissions, the R8 bit in SCC3 is cleared. BKF does not generate a CPU interrupt request. Clear BKF by reading SCS2 with BKF set and then reading the SCDR. Once cleared, BKF can become set again only after logic 1s again appear on the PTE1/RxD pin followed by another break character. Reset clears the BKF bit.

- 1 = Break character detected
- 0 = No break character detected

RPF — Reception in Progress Flag Bit

This read-only bit is set when the receiver detects a logic 0 during the RT1 time period of the start bit search. RPF does not generate an interrupt request. RPF is reset after the receiver detects false start bits, usually from noise or a baud rate mismatch or when the receiver detects an idle character. Polling RPF before disabling the SCI module or entering stop mode can show whether a reception is in progress.

- 1 = Reception in progress
- 0 = No reception in progress

17.9.6 SCI Data Register

The SCI data register is the buffer between the internal data bus and the receive and transmit shift registers. Reset has no effect on data in the SCI data register.

Address: \$0018

	Bit 7	6	5	4	3	2	1	Bit 0
Read:	R7	R6	R5	R4	R3	R2	R1	R0
Write:	T7	T6	T5	T4	T3	T2	T1	T0
Reset:	Unaffected by Reset							

Figure 17-12. SCI Data Register (SCDR)

R7/T7–R0/T0 — Receive/Transmit Data Bits

Reading address \$0018 accesses the read-only received data bits, R7–R0. Writing to address \$0018 writes the data to be transmitted, T7–T0. Reset has no effect on the SCI data register.

17.9.7 SCI Baud Rate Register

The baud rate register selects the baud rate for both the receiver and the transmitter.

Address: \$0019

	Bit 7	6	5	4	3	2	1	Bit 0
Read:	R	R	SCP1	SCP0	R	SCR2	SCR1	SCR0
Write:								
Reset:	0	0	0	0	0	0	0	0

R = Reserved

Figure 17-13. SCI BAUD Rate Register 1 (SCBR)

SCP1 and SCP0 — SCI Baud Rate Prescaler Bits

These read/write bits select the baud rate prescaler divisor as shown in [Table 17-8](#). Reset clears SCP1 and SCP0.

Table 17-8. SCI Baud Rate Prescaling

SCP1:SCP0	Prescaler Divisor (PD)
00	1
01	3
10	4
11	13

SCR2–SCR0 — SCI Baud Rate Select Bits

These read/write bits select the SCI baud rate divisor as shown in [Table 17-9](#). Reset clears SCR2:SCR0.

Table 17-9. SCI Baud Rate Selection

SCR2:SCR1:SCR0	Baud Rate Divisor (BD)
000	1
001	2
010	4
011	8
100	16
101	32
110	64
111	128

Use the following formula to calculate the SCI baud rate:

$$\text{Baud rate} = \frac{\text{CGMXCLK}}{64 \times \text{PD} \times \text{BD}}$$

PD = Prescale divisor (see [Table 17-8](#))

BD = Baud rate divisor (see [Table 17-9](#))

[Table 17-10](#) shows the SCI baud rates that can be generated with a 4.194-MHz crystal.

Table 17-10. SCI Baud Rate Selection Examples

SCP1:SCP0	Prescaler Divisor (PD)	SCR2:SCR1:SCR0	Baud Rate Divisor (BD)	Baud Rate (f _{XCLK} = 4.194 MHz)
00	1	000	1	65,531
00	1	001	2	32,766
00	1	010	4	16,383
00	1	011	8	8191
00	1	100	16	4095
00	1	101	32	2048
00	1	110	64	1024
00	1	111	128	512
01	3	000	1	21,844
01	3	001	2	10,922
01	3	010	4	5461
01	3	011	8	2730
01	3	100	16	1365
01	3	101	32	683
01	3	110	64	341
01	3	111	128	171
10	4	000	1	16,383
10	4	001	2	8191
10	4	010	4	4096
10	4	011	8	2048
10	4	100	16	1024
10	4	101	32	512
10	4	110	64	256
10	4	111	128	128
11	13	000	1	5041
11	13	001	2	1664
11	13	010	4	1260
11	13	011	8	630
11	13	100	16	315
11	13	101	32	158
11	13	110	64	78.8
11	13	111	128	39.4

Section 18. Serial Peripheral Interface (SPI)

18.1 Contents

18.2	Introduction	276
18.3	Features	276
18.4	Pin Name and Register Name Conventions	277
18.5	Functional Description	278
18.5.1	Master Mode	280
18.5.2	Slave Mode	281
18.6	Transmission Formats	282
18.6.1	Clock Phase and Polarity Controls	282
18.6.2	Transmission Format When CPHA = 0	283
18.6.3	Transmission Format When CPHA = 1	284
18.6.4	Transmission Initiation Latency	286
18.7	Error Conditions	288
18.7.1	Overflow Error	288
18.7.2	Mode Fault Error	290
18.8	Interrupts	292
18.9	Queuing Transmission Data	293
18.10	Resetting the SPI	295
18.11	Low-Power Modes	296
18.11.1	Wait Mode	296
18.11.2	Stop Mode	296
18.12	SPI During Break Interrupts	297
18.13	I/O Signals	298
18.13.1	MISO (Master In/Slave Out)	298
18.13.2	MOSI (Master Out/Slave In)	299

18.13.3	SPSCK (Serial Clock)	299
18.13.4	\overline{SS} (Slave Select)	300
18.13.5	V_{SS} (Clock Ground)	301
18.14	I/O Registers	301
18.14.1	SPI Control Register	302
18.14.2	SPI Status and Control Register	304
18.14.3	SPI Data Register	308

18.2 Introduction

This section describes the serial peripheral interface (SPI) module, which allows full-duplex, synchronous, serial communications with peripheral devices.

18.3 Features

Features of the SPI module include:

- Full-duplex operation
- Master mode and slave mode
- Double-buffered operation with separate transmit and receive registers
- Four master mode frequencies (maximum = bus frequency \div 2)
- Maximum slave mode frequency = bus frequency
- Serial clock with programmable polarity and phase
- Two separately enabled interrupts with CPU service:
 - SPRF (SPI receiver full)
 - SPTE (SPI transmitter empty)
- Mode fault error flag with cpu interrupt capability
- Overflow error flag with CPU interrupt capability
- Programmable wired-OR mode
- I²C (inter-integrated circuit) compatibility

18.4 Pin Name and Register Name Conventions

The generic names of the SPI input/output (I/O) pins are:

- \overline{SS} (slave select)
- SPSCCK (SPI serial clock)
- MOSI (master out/slave in)
- MISO (master in/slave out)

The SPI shares four I/O pins with a parallel I/O port. The full name of an SPI pin reflects the name of the shared port pin. [Table 18-1](#) shows the full names of the SPI I/O pins. The generic pin names appear in the text that follows.

Table 18-1. Pin Name Conventions

SPI Generic Pin Name:	MISO	MOSI	\overline{SS}	SPSCCK
Full SPI Pin Name:	PTE5/MISO	PTE6/MOSI	PTE4/ \overline{SS}	PTE7/SPSCCK

The generic names of the SPI I/O registers are:

- SPI control register (SPCR)
- SPI status and control register (SPSCR)
- SPI data register (SPDR)

[Table 18-2](#) shows the names and the addresses of the SPI I/O registers.

Table 18-2. I/O Register Addresses

Register Name	Address
SPI Control Register	\$0010
SPI Status and Control Register	\$0011
SPI Data Register	\$0012

18.5 Functional Description

Table 18-3 summarizes the SPI I/O registers and **Figure 18-1** shows the structure of the SPI module.

Table 18-3. SPI I/O Register Summary

Addr	Register Name		Bit 7	6	5	4	3	2	1	Bit 0	
\$0010	SPI Control Register (SPCR)	Read:	SPRIE	R	SPMSTR	CPOL	CPHA	SPWOM	SPE	SPTIE	
		Write:									
		Reset:	0	0	1	0	1	0	0	0	
\$0011	SPI Status and Control Register (SPSCR)	Read:	SPRF	ERRIE	OVRF	MODF	SPTIE	MODFEN	SPR1	SPR0	
		Write:	R		R	R	R				
		Reset:	0	0	0	0	1	0	0	0	
\$0012	SPI Data Register (SPDR)	Read:	R7	R6	R5	R4	R3	R2	R1	R0	
		Write:	T7	T6	T5	T4	T3	T2	T1	T0	
		Reset:	Unaffected by Reset								
			R	= Reserved							

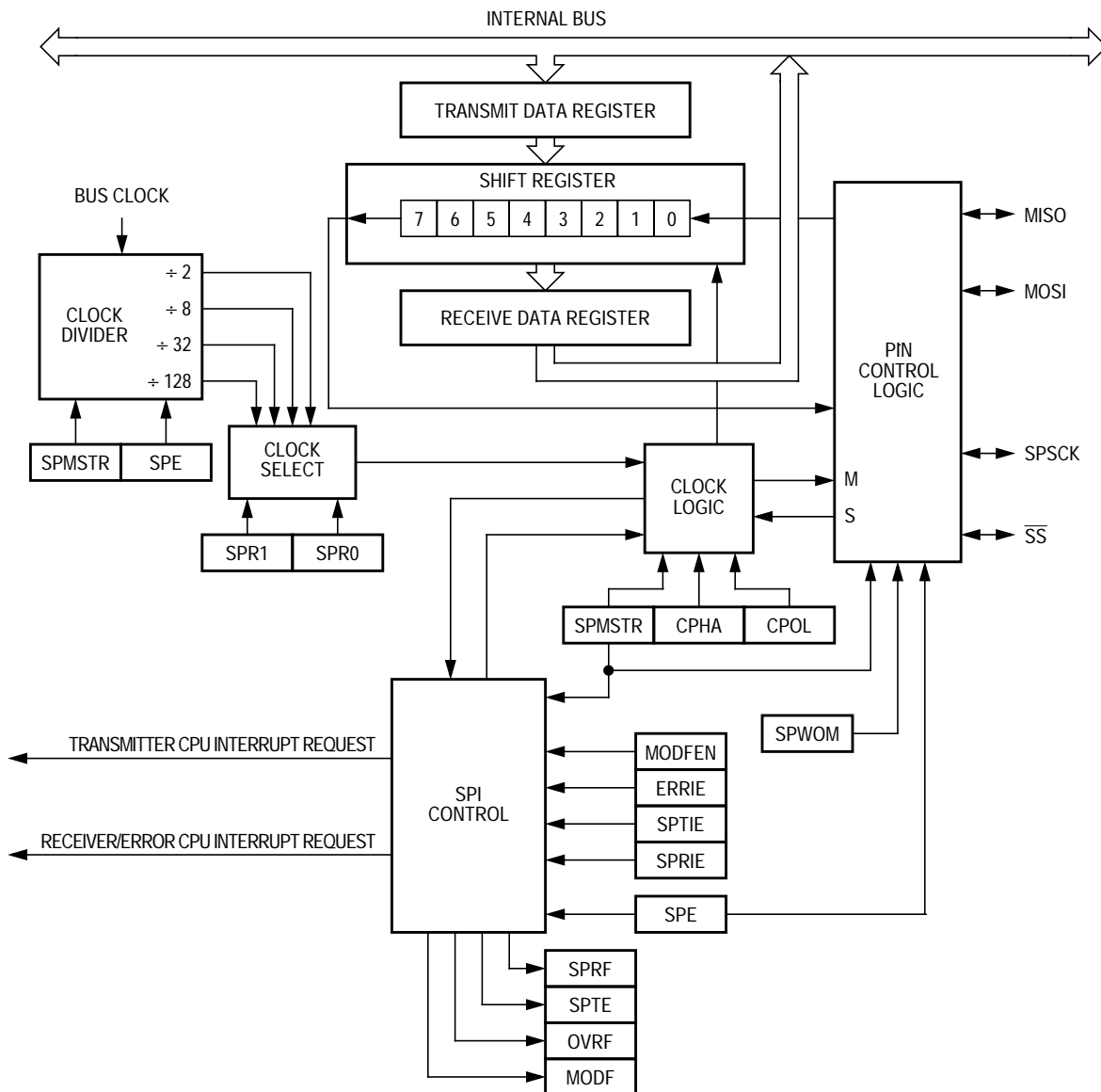


Figure 18-1. SPI Module Block Diagram

The SPI module allows full-duplex, synchronous, serial communication between the MCU and peripheral devices, including other MCUs. Software can poll the SPI status flags or SPI operation can be interrupt-driven. All SPI interrupts can be serviced by the CPU.

The following paragraphs describe the operation of the SPI module.

Serial Peripheral Interface (SPI)

18.5.1 Master Mode

The SPI operates in master mode when the SPI master bit, SPMSTR (SPCR \$0010), is set.

NOTE: *Configure the SPI modules as master and slave before enabling them. Enable the master SPI before enabling the slave SPI. Disable the slave SPI before disabling the master SPI. (See [18.14.1 SPI Control Register](#).)*

Only a master SPI module can initiate transmissions. Software begins the transmission from a master SPI module by writing to the SPI data register. If the shift register is empty, the byte immediately transfers to the shift register, setting the SPI transmitter empty bit, SPTE (SPSCR \$0011). The byte begins shifting out on the MOSI pin under the control of the serial clock. (See [Figure 18-2](#).)

The SPR1 and SPR0 bits control the baud rate generator and determine the speed of the shift register. (See [18.14.2 SPI Status and Control Register](#).) Through the SPSCCK pin, the baud rate generator of the master also controls the shift register of the slave peripheral.

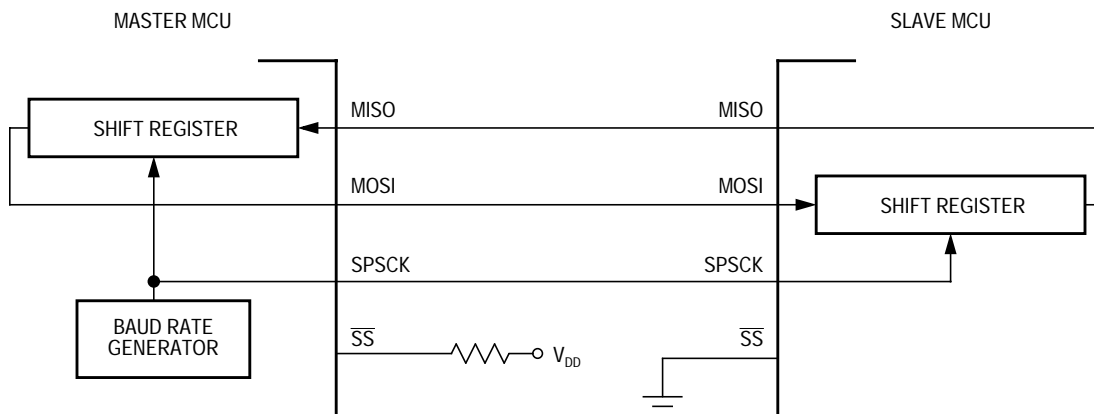


Figure 18-2. Full-Duplex Master-Slave Connections

As the byte shifts out on the MOSI pin of the master, another byte shifts in from the slave on the master's MISO pin. The transmission ends when the receiver full bit, SPRF (SPSCR), becomes set. At the same time that SPRF becomes set, the byte from the slave transfers to the receive data register. In normal operation, SPRF signals the end of a transmission. Software clears SPRF by reading the SPI status and control register and then reading the SPI data register. Writing to the SPI data register clears the SPTE bit.

18.5.2 Slave Mode

The SPI operates in slave mode when the SPMSTR bit (SPCR \$0010) is clear. In slave mode the SPSCCK pin is the input for the serial clock from the master MCU. Before a data transmission occurs, the \overline{SS} pin of the slave MCU must be at logic 0. \overline{SS} must remain low until the transmission is complete. (See [18.7.2 Mode Fault Error](#).)

In a slave SPI module, data enters the shift register under the control of the serial clock from the master SPI module. After a byte enters the shift register of a slave SPI, it is transferred to the receive data register, and the SPRF bit (SPSCR) is set. To prevent an overflow condition, slave software then must read the SPI data register before another byte enters the shift register.

The maximum frequency of the SPSCCK for an SPI configured as a slave is the bus clock speed, which is twice as fast as the fastest master SPSCCK clock that can be generated. The frequency of the SPSCCK for an SPI configured as a slave does not have to correspond to any SPI baud rate. The baud rate only controls the speed of the SPSCCK generated by an SPI configured as a master. Therefore, the frequency of the SPSCCK for an SPI configured as a slave can be any frequency less than or equal to the bus speed.

When the master SPI starts a transmission, the data in the slave shift register begins shifting out on the MISO pin. The slave can load its shift register with a new byte for the next transmission by writing to its transmit data register. The slave must write to its transmit data register at least one bus cycle before the master starts the next transmission. Otherwise, the byte already in the slave shift register shifts out on the MISO pin.

Data written to the slave shift register during a transmission remains in a buffer until the end of the transmission.

When the clock phase bit (CPHA) is set, the first edge of SPSCCK starts a transmission. When CPHA is clear, the falling edge of \overline{SS} starts a transmission. (See [18.6 Transmission Formats](#).)

If the write to the data register is late, the SPI transmits the data already in the shift register from the previous transmission.

NOTE: *To prevent SPSCCK from appearing as a clock edge, SPSCCK must be in the proper idle state before the slave is enabled.*

18.6 Transmission Formats

During an SPI transmission, data is simultaneously transmitted (shifted out serially) and received (shifted in serially). A serial clock line synchronizes shifting and sampling on the two serial data lines. A slave select line allows individual selection of a slave SPI device; slave devices that are not selected do not interfere with SPI bus activities. On a master SPI device, the slave select line can be used optionally to indicate a multiple-master bus contention.

18.6.1 Clock Phase and Polarity Controls

Software can select any of four combinations of serial clock (SCK) phase and polarity using two bits in the SPI control register (SPCR). The clock polarity is specified by the CPOL control bit, which selects an active high or low clock and has no significant effect on the transmission format.

The clock phase (CPHA) control bit (SPCR) selects one of two fundamentally different transmission formats. The clock phase and polarity should be identical for the master SPI device and the communicating slave device. In some cases, the phase and polarity are changed between transmissions to allow a master device to communicate with peripheral slaves having different requirements.

NOTE: *Before writing to the CPOL bit or the CPHA bit (SPCR), disable the SPI by clearing the SPI enable bit (SPE).*

18.6.2 Transmission Format When CPHA = 0

Figure 18-3 shows an SPI transmission in which CPHA (SPCR) is logic 0. The figure should not be used as a replacement for data sheet parametric information. Two waveforms are shown for SCK: one for CPOL = 0 and another for CPOL = 1. The diagram may be interpreted as a master or slave timing diagram since the serial clock (SCK), master in/slave out (MISO), and master out/slave in (MOSI) pins are directly connected between the master and the slave. The MISO signal is the output from the slave, and the MOSI signal is the output from the master. The \overline{SS} line is the slave select input to the slave. The slave SPI drives its MISO output only when its slave select input (\overline{SS}) is at logic 0, so that only the selected slave drives to the master. The \overline{SS} pin of the master is not shown but is assumed to be inactive. The \overline{SS} pin of the master must be high or must be reconfigured as general-purpose I/O not affecting the SPI. (See **18.7.2 Mode Fault Error**.) When CPHA = 0, the first SPSCCK edge is the MSB capture strobe. Therefore, the slave must begin driving its data before the first SPSCCK edge, and a falling edge on the \overline{SS} pin is used to start the transmission. The \overline{SS} pin must be toggled high and then low again between each byte transmitted as shown in **Figure 18-4**.

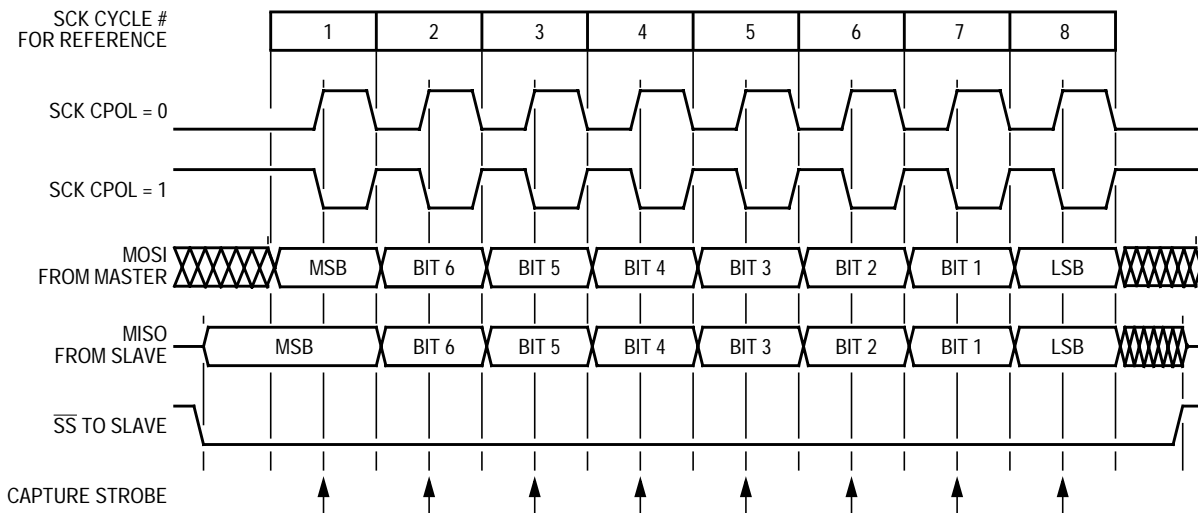


Figure 18-3. Transmission Format (CPHA = 0)

Serial Peripheral Interface (SPI)

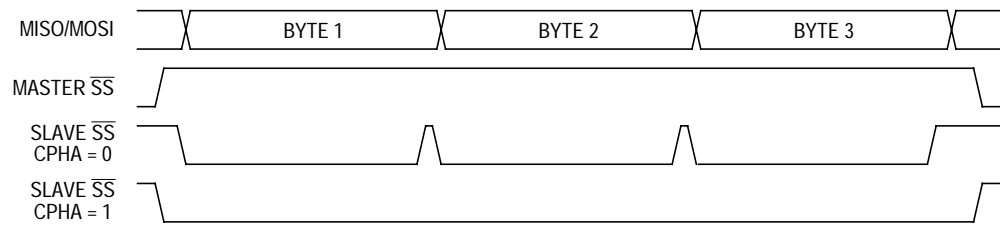


Figure 18-4. CPHA/ \overline{SS} Timing

When CPHA = 0 for a slave, the falling edge of \overline{SS} indicates the beginning of the transmission. This causes the SPI to leave its idle state and begin driving the MISO pin with the MSB of its data. Once the transmission begins, no new data is allowed into the shift register from the transmit data register. Therefore, the SPI data register of the slave must be loaded with transmit data before the falling edge of \overline{SS} . Any data written after the falling edge is stored in the transmit data register and transferred to the shift register after the current transmission.

18.6.3 Transmission Format When CPHA = 1

Figure 18-5 shows an SPI transmission in which CPHA (SPCR) is logic 1. The figure should not be used as a replacement for data sheet parametric information. Two waveforms are shown for SCK: one for CPOL = 0 and another for CPOL = 1. The diagram may be interpreted as a master or slave timing diagram since the serial clock (SCK), master in/slave out (MISO), and master out/slave in (MOSI) pins are directly connected between the master and the slave. The MISO signal is the output from the slave, and the MOSI signal is the output from the master. The \overline{SS} line is the slave select input to the slave. The slave SPI drives its MISO output only when its slave select input (\overline{SS}) is at logic 0, so that only the selected slave drives to the master. The \overline{SS} pin of the master is not shown but is assumed to be inactive. The \overline{SS} pin of the master must be high or must be reconfigured as general-purpose I/O not affecting the SPI. (See **18.7.2 Mode Fault Error**.) When CPHA = 1, the master

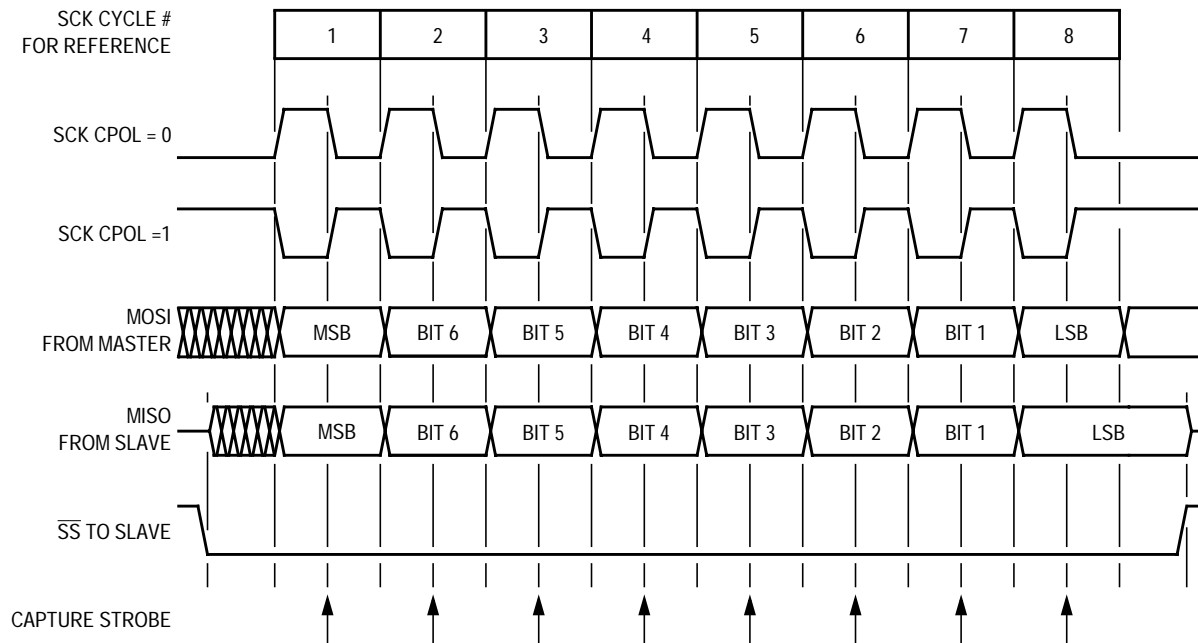


Figure 18-5. Transmission Format (CPHA = 1)

begins driving its MOSI pin on the first SPSCK edge. Therefore, the slave uses the first SPSCK edge as a start transmission signal. The \overline{SS} pin can remain low between transmissions. This format may be preferable in systems having only one master and only one slave driving the MISO data line.

When CPHA = 1 for a slave, the first edge of the SPSCK indicates the beginning of the transmission. This causes the SPI to leave its idle state and begin driving the MISO pin with the MSB of its data. Once the transmission begins, no new data is allowed into the shift register from the transmit data register. Therefore, the SPI data register of the slave must be loaded with transmit data before the first edge of SPSCK. Any data written after the first edge is stored in the transmit data register and transferred to the shift register after the current transmission.

18.6.4 Transmission Initiation Latency

When the SPI is configured as a master ($SPMSTR = 1$), transmissions are started by a software write to the SPDR (\$0012). $CPHA$ has no effect on the delay to the start of the transmission, but it does affect the initial state of the SCK signal. When $CPHA = 0$, the SCK signal remains inactive for the first half of the first SCK cycle. When $CPHA = 1$, the first SCK cycle begins with an edge on the SCK line from its inactive to its active level. The SPI clock rate (selected by $SPR1$ – $SPR0$) affects the delay from the write to SPDR and the start of the SPI transmission. (See [Figure 18-6](#).) The internal SPI clock in the master is a free-running derivative of the internal MCU clock. It is only enabled when both the SPE and $SPMSTR$ bits ($SPCR$) are set to conserve power. SCK edges occur halfway through the low time of the internal MCU clock. Since the SPI clock is free-running, it is uncertain where the write to the SPDR will occur relative to the slower SCK. This uncertainty causes the variation in the initiation delay shown in [Figure 18-6](#). This delay will be no longer than a single SPI bit time. That is, the maximum delay between the write to SPDR and the start of the SPI transmission is two MCU bus cycles for $DIV2$, eight MCU bus cycles for $DIV8$, 32 MCU bus cycles for $DIV32$, and 128 MCU bus cycles for $DIV128$.

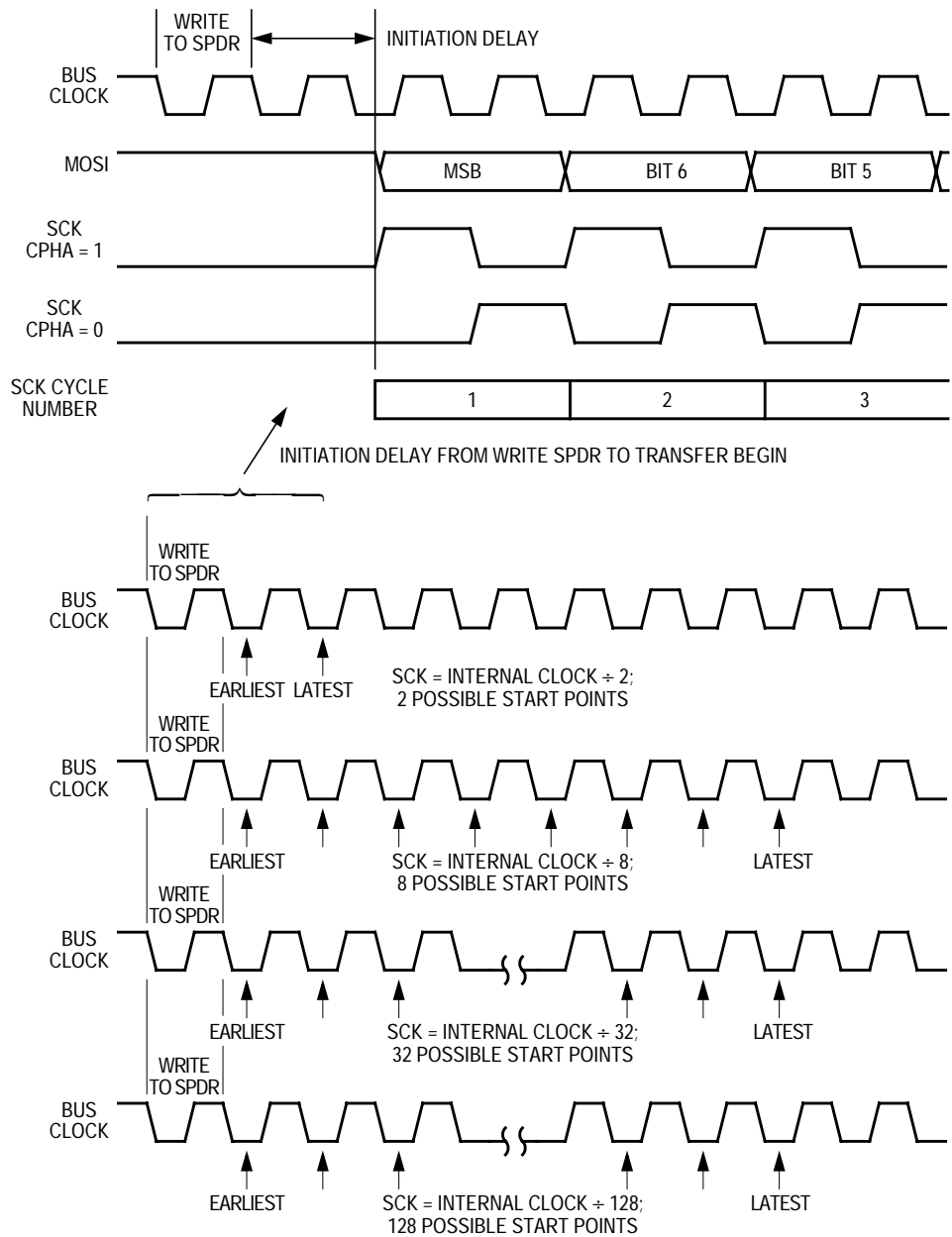


Figure 18-6. Transmission Start Delay (Master)

18.7 Error Conditions

Two flags signal SPI error conditions:

1. Overflow (OVRFin SPSCR) — Failing to read the SPI data register before the next byte enters the shift register sets the OVRF bit. The new byte does not transfer to the receive data register, and the unread byte still can be read by accessing the SPI data register. OVRF is in the SPI status and control register.
2. Mode fault error (MODF in SPSCR) — The MODF bit indicates that the voltage on the slave select pin (\overline{SS}) is inconsistent with the mode of the SPI. MODF is in the SPI status and control register.

18.7.1 Overflow Error

The overflow flag (OVRF in SPSCR) becomes set if the SPI receive data register still has unread data from a previous transmission when the capture strobe of bit 1 of the next transmission occurs. (See [Figure 18-3](#) and [Figure 18-5](#).) If an overflow occurs, the data being received is not transferred to the receive data register so that the unread data can still be read. Therefore, an overflow error always indicates the loss of data.

OVRF generates a receiver/error CPU interrupt request if the error interrupt enable bit (ERRIE in SPSCR) is also set. MODF and OVRF can generate a receiver/error CPU interrupt request. (See [Figure 18-9](#).) It is not possible to enable only MODF or OVRF to generate a receiver/error CPU interrupt request. However, leaving MODFEN low prevents MODF from being set.

If an end-of-block transmission interrupt was meant to pull the MCU out of wait, having an overflow condition without overflow interrupts enabled causes the MCU to hang in wait mode. If the OVRF is enabled to generate an interrupt, it can pull the MCU out of wait mode instead.

If the CPU SPRF interrupt is enabled and the OVRF interrupt is not, watch for an overflow condition. [Figure 18-7](#) shows how it is possible to miss an overflow.

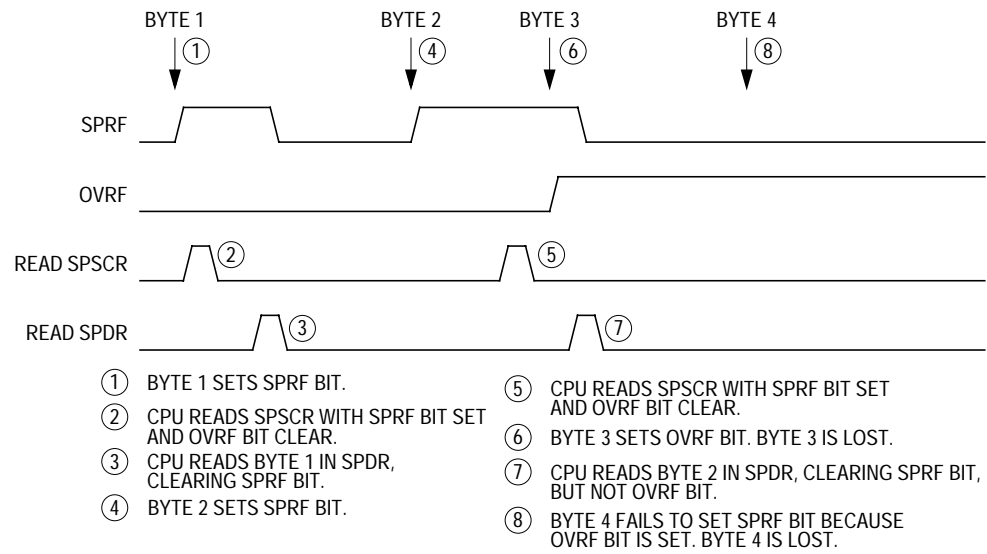


Figure 18-7. Missed Read of Overflow Condition

The first part of [Figure 18-7](#) shows how to read the SPSCR and SPDR to clear the SPRF without problems. However, as illustrated by the second transmission example, the OVRF flag can be set in between the time that SPSCR and SPDR are read.

In this case, an overflow can be easily missed. Since no more SPRF interrupts can be generated until this OVRF is serviced, it will not be obvious that bytes are being lost as more transmissions are completed. To prevent this, either enable the OVRF interrupt or do another read of the SPSCR after the read of the SPDR. This ensures that the OVRF was not set before the SPRF was cleared and that future transmissions will complete with an SPRF interrupt. [Figure 18-8](#) illustrates this process. Generally, to avoid this second SPSCR read, enable the OVRF to the CPU by setting the ERRIE bit (SPSCR).

Serial Peripheral Interface (SPI)

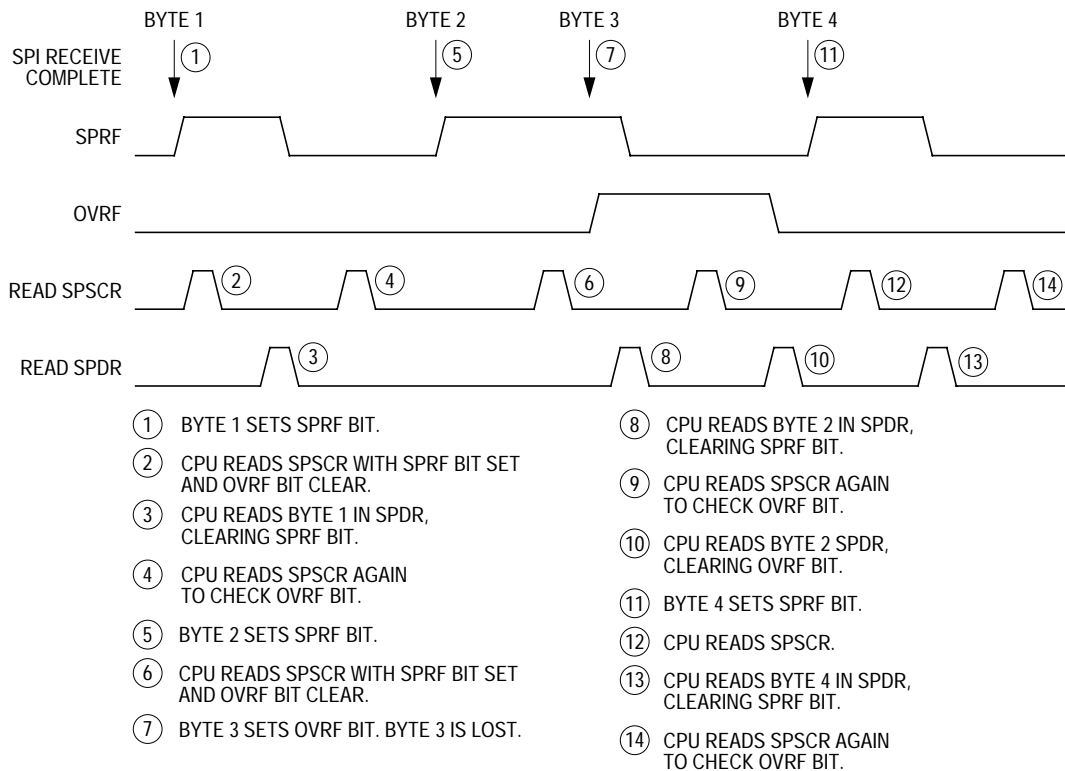


Figure 18-8. Clearing SPRF When OVRF Interrupt Is Not Enabled

18.7.2 Mode Fault Error

For the MODF flag (in SPSCR) to be set, the mode fault error enable bit (MODFEN in SPSCR) must be set. Clearing the MODFEN bit does not clear the MODF flag but does prevent MODF from being set again after MODF is cleared.

MODF generates a receiver/error CPU interrupt request if the error interrupt enable bit (ERRIE in SPSCR) is also set. The SPRF, MODF, and OVRF interrupts share the same CPU interrupt vector. MODF and OVRF can generate a receiver/error CPU interrupt request. (See [Figure 18-9](#).) It is not possible to enable only MODF or OVRF to generate a receiver/error CPU interrupt request. However, leaving MODFEN low prevents MODF from being set.

In a master SPI with the mode fault enable bit (MODFEN) set, the mode fault flag (MODF) is set if \overline{SS} goes to logic 0. A mode fault in a master SPI causes the following events to occur:

- If ERRIE = 1, the SPI generates an SPI receiver/error CPU interrupt request.
- The SPE bit is cleared.
- The SPTE bit is set.
- The SPI state counter is cleared.
- The data direction register of the shared I/O port regains control of port drivers.

NOTE: *To prevent bus contention with another master SPI after a mode fault error, clear all data direction register (DDR) bits associated with the SPI shared port pins.*

NOTE: *Setting the MODF flag (SPSCR) does not clear the SPMSTR bit. Reading SPMSTR when MODF = 1 will indicate that a MODE fault error occurred in either master mode or slave mode.*

When configured as a slave (SPMSTR = 0), the MODF flag is set if \overline{SS} goes high during a transmission. When CPHA = 0, a transmission begins when \overline{SS} goes low and ends once the incoming SPSCCK returns to its idle level after the shift of the eighth data bit. When CPHA = 1, the transmission begins when the SPSCCK leaves its idle level and \overline{SS} is already low. The transmission continues until the SPSCCK returns to its IDLE level after the shift of the last data bit. (See [18.6 Transmission Formats](#).)

NOTE: *When CPHA = 0, a MODF occurs if a slave is selected (\overline{SS} is at logic 0) and later unselected (\overline{SS} is at logic 1) even if no SPSCCK is sent to that slave. This happens because \overline{SS} at logic 0 indicates the start of the transmission (MISO driven out with the value of MSB) for CPHA = 0. When CPHA = 1, a slave can be selected and then later unselected with no transmission occurring. Therefore, MODF does not occur since a transmission was never begun.*

In a slave SPI (MSTR = 0), the MODF bit generates an SPI receiver/error CPU interrupt request if the ERRIE bit is set. The MODF

bit does not clear the SPE bit or reset the SPI in any way. Software can abort the SPI transmission by toggling the SPE bit of the slave.

NOTE: *A logic 1 voltage on the \overline{SS} pin of a slave SPI puts the MISO pin in a high impedance state. Also, the slave SPI ignores all incoming SPSCK clocks, even if a transmission has begun.*

To clear the MODF flag, read the SPSCR and then write to the SPCR register. This entire clearing procedure must occur with no MODF condition existing or else the flag will not be cleared.

18.8 Interrupts

Four SPI status flags can be enabled to generate CPU interrupt requests, as shown in [Table 18-4](#).

Table 18-4. SPI Interrupts

Flag	Request
SPTIE (Transmitter Empty)	SPI Transmitter CPU Interrupt Request (SPTIE = 1)
SPRF (Receiver Full)	SPI Receiver CPU Interrupt Request (SPRIE = 1)
OVRF (Overflow)	SPI Receiver/Error Interrupt Request (ERRIE = 1)
MODF (Mode Fault)	SPI Receiver/Error Interrupt Request (ERRIE = 1, MODFEN = 1)

The SPI transmitter interrupt enable bit (SPTIE) enables the SPTIE flag to generate transmitter CPU interrupt requests.

The SPI receiver interrupt enable bit (SPRIE) enables the SPRF bit to generate receiver CPU interrupt, provided that the SPI is enabled (SPE = 1).

The error interrupt enable bit (ERRIE) enables both the MODF and OVRF flags to generate a receiver/error CPU interrupt request.

The mode fault enable bit (MODFEN) can prevent the MODF flag from being set so that only the OVRF flag is enabled to generate receiver/error CPU interrupt requests.

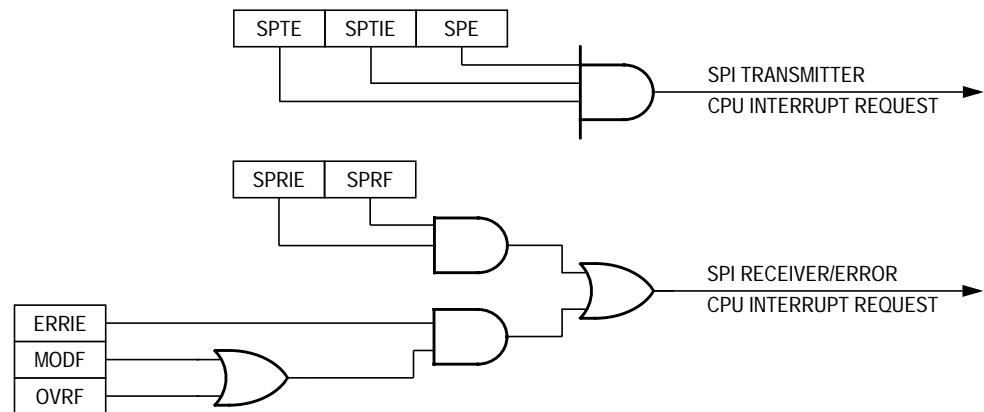


Figure 18-9. SPI Interrupt Request Generation

Two sources in the SPI status and control register can generate CPU interrupt requests:

1. SPI receiver full bit (SPRF) — The SPRF bit becomes set every time a byte transfers from the shift register to the receive data register. If the SPI receiver interrupt enable bit, SPRIE, is also set, SPRF can generate an SPI receiver/error CPU interrupt request.
2. SPI transmitter empty (SPTIE) — The SPTIE bit becomes set every time a byte transfers from the transmit data register to the shift register. If the SPI transmit interrupt enable bit, SPTIE, is also set, SPTIE can generate an SPTIE CPU interrupt request.

18.9 Queuing Transmission Data

The double-buffered transmit data register allows a data byte to be queued and transmitted. For an SPI configured as a master, a queued data byte is transmitted immediately after the previous transmission has completed. The SPI transmitter empty flag (SPTIE in SPSCR) indicates when the transmit data buffer is ready to accept new data. Write to the SPI data register only when the SPTIE bit is high. [Figure 18-10](#) shows the timing associated with doing back-to-back transmissions with the SPI (SPSCK has CPHA–CPOL = 1–0).

Serial Peripheral Interface (SPI)

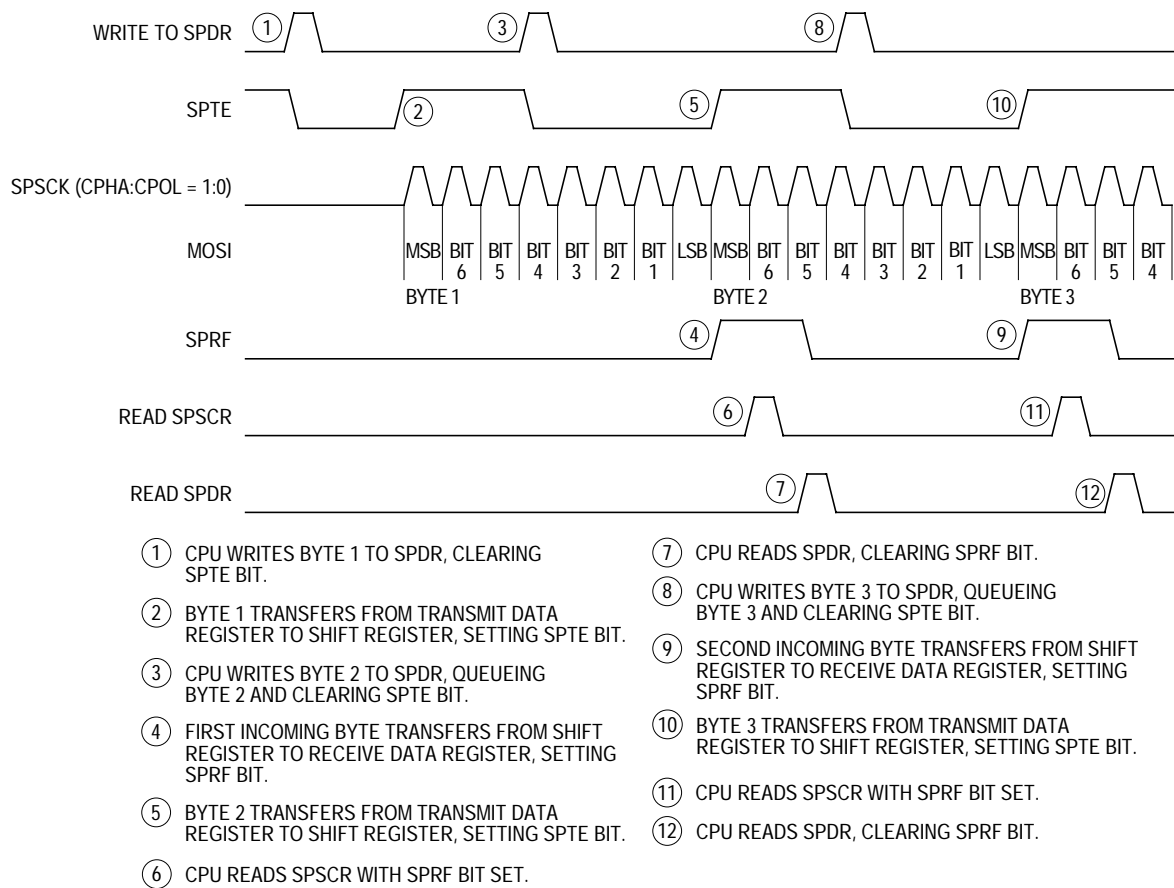


Figure 18-10. SPRF/SPTe CPU Interrupt Timing

The transmit data buffer allows back-to-back transmissions without the slave precisely timing its writes between transmissions as in a system with a single data buffer. Also, if no new data is written to the data buffer, the last value contained in the shift register is the next data word to be transmitted.

For an idle master or idle slave that has no data loaded into its transmit buffer, the SPTe is set again no more than two bus cycles after the transmit buffer empties into the shift register. This allows the user to queue up a 16-bit value to send. For an already active slave, the load of the shift register cannot occur until the transmission is completed. This implies that a back-to-back write to the transmit data register is not possible. The SPTe indicates when the next write can occur.

18.10 Resetting the SPI

Any system reset completely resets the SPI. Partial resets occur whenever the SPI enable bit (SPE) is low. Whenever SPE is low, the following occurs:

- The SPTE flag is set.
- Any transmission currently in progress is aborted.
- The shift register is cleared.
- The SPI state counter is cleared, making it ready for a new complete transmission.
- All the SPI port logic is defaulted back to being general-purpose I/O.

These additional items are reset only by a system reset:

- All control bits in the SPCR register
- All control bits in the SPSCR register (MODFEN, ERRIE, SPR1, and SPR0)
- The status flags SPRF, OVRF, and MODF

By not resetting the control bits when SPE is low, the user can clear SPE between transmissions without having to reset all control bits when SPE is set back to high for the next transmission.

By not resetting the SPRF, OVRF, and MODF flags, the user can still service these interrupts after the SPI has been disabled. The user can disable the SPI by writing 0 to the SPE bit. The SPI also can be disabled by a mode fault occurring in an SPI that was configured as a master with the MODFEN bit set.

18.11 Low-Power Modes

The WAIT and STOP instructions put the MCU in low-power standby modes.

18.11.1 Wait Mode

The SPI module remains active after the execution of a WAIT instruction. In wait mode, the SPI module registers are not accessible by the CPU. Any enabled CPU interrupt request from the SPI module can bring the MCU out of wait mode.

If SPI module functions are not required during wait mode, reduce power consumption by disabling the SPI module before executing the WAIT instruction.

To exit wait mode when an overflow condition occurs, enable the OVRF bit to generate CPU interrupt requests by setting the error interrupt enable bit (ERRIE). (See [18.8 Interrupts](#).)

18.11.2 Stop Mode

The SPI module is inactive after the execution of a STOP instruction. The STOP instruction does not affect register conditions. SPI operation resumes after the MCU exits stop mode. If stop mode is exited by reset, any transfer in progress is aborted and the SPI is reset.

18.12 SPI During Break Interrupts

The system integration module (SIM) controls whether status bits in other modules can be cleared during the break state. The BCFE bit in the SIM break flag control register (SBFCR, \$FE03) enables software to clear status bits during the break state. (See [9.8.3 SIM Break Flag Control Register](#).)

To allow software to clear status bits during a break interrupt, write a logic 1 to the BCFE bit. If a status bit is cleared during the break state, it remains cleared when the MCU exits the break state.

To protect status bits during the break state, write a logic 0 to the BCFE bit. With BCFE at logic 0 (its default state), software can read and write I/O registers during the break state without affecting status bits. Some status bits have a 2-step read/write clearing procedure. If software does the first step on such a bit before the break, the bit cannot change during the break state as long as BCFE is at logic 0. After the break, doing the second step clears the status bit.

Since the SPTE bit cannot be cleared during a break with the BCFE bit cleared, a write to the data register in break mode will not initiate a transmission nor will this data be transferred into the shift register. Therefore, a write to the SPDR in break mode with the BCFE bit cleared has no effect.

18.13 I/O Signals

The SPI module has five I/O pins and shares four of them with a parallel I/O port.

- MISO — Data received
- MOSI — Data transmitted
- SPSCK — Serial clock
- \overline{SS} — Slave select
- V_{SS} — Clock ground

The SPI has limited inter-integrated circuit (I^2C) capability (requiring software support) as a master in a single-master environment. To communicate with I^2C peripherals, MOSI becomes an open-drain output when the SPWOM bit in the SPI control register is set. In I^2C communication, the MOSI and MISO pins are connected to a bidirectional pin from the I^2C peripheral and through a pullup resistor to V_{DD} .

18.13.1 MISO (Master In/Slave Out)

MISO is one of the two SPI module pins that transmit serial data. In full duplex operation, the MISO pin of the master SPI module is connected to the MISO pin of the slave SPI module. The master SPI simultaneously receives data on its MISO pin and transmits data from its MOSI pin.

Slave output data on the MISO pin is enabled only when the SPI is configured as a slave. The SPI is configured as a slave when its SPMSTR bit is logic 0 and its \overline{SS} pin is at logic 0. To support a multiple-slave system, a logic 1 on the \overline{SS} pin puts the MISO pin in a high-impedance state.

When enabled, the SPI controls data direction of the MISO pin regardless of the state of the data direction register of the shared I/O port.

18.13.2 MOSI (Master Out/Slave In)

MOSI is one of the two SPI module pins that transmit serial data. In full duplex operation, the MOSI pin of the master SPI module is connected to the MOSI pin of the slave SPI module. The master SPI simultaneously transmits data from its MOSI pin and receives data on its MISO pin.

When enabled, the SPI controls data direction of the MOSI pin regardless of the state of the data direction register of the shared I/O port.

18.13.3 SPSCCK (Serial Clock)

The serial clock synchronizes data transmission between master and slave devices. In a master MCU, the SPSCCK pin is the clock output. In a slave MCU, the SPSCCK pin is the clock input. In full-duplex operation, the master and slave MCUs exchange a byte of data in eight serial clock cycles.

When enabled, the SPI controls data direction of the SPSCCK pin regardless of the state of the data direction register of the shared I/O port.

18.13.4 \overline{SS} (Slave Select)

The \overline{SS} pin has various functions depending on the current state of the SPI. For an SPI configured as a slave, the \overline{SS} is used to select a slave. For $CPHA = 0$, the \overline{SS} is used to define the start of a transmission. (See [18.6 Transmission Formats](#).) Since it is used to indicate the start of a transmission, the \overline{SS} must be toggled high and low between each byte transmitted for the $CPHA = 0$ format. However, it can remain low throughout the transmission for the $CPHA = 1$ format. See [Figure 18-11](#).

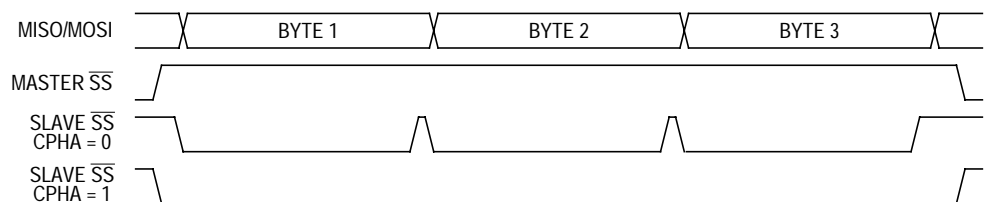


Figure 18-11. CPHA/ \overline{SS} Timing

When an SPI is configured as a slave, the \overline{SS} pin is always configured as an input. It cannot be used as a general-purpose I/O regardless of the state of the MODFEN control bit. However, the MODFEN bit can still prevent the state of the \overline{SS} from creating a MODF error. (See [18.14.2 SPI Status and Control Register](#).)

NOTE: *A logic 1 voltage on the \overline{SS} pin of a slave SPI puts the MISO pin in a high-impedance state. The slave SPI ignores all incoming SPSCCK clocks, even if a transmission already has begun.*

When an SPI is configured as a master, the \overline{SS} input can be used in conjunction with the MODF flag to prevent multiple masters from driving MOSI and SPSCCK. (See [18.7.2 Mode Fault Error](#).) For the state of the \overline{SS} pin to set the MODF flag, the MODFEN bit in the SPSCCK register must be set. If the MODFEN bit is low for an SPI master, the \overline{SS} pin can be used as a general-purpose I/O under the control of the data direction register of the shared I/O port. With MODFEN high, it is an input-only pin to the SPI regardless of the state of the data direction register of the shared I/O port.

The CPU can always read the state of the \overline{SS} pin by configuring the appropriate pin as an input and reading the data register.
(See [Table 18-5](#).)

Table 18-5. SPI Configuration

SPE	SPMSTR	MODFEN	SPI Configuration	State of \overline{SS} Logic
0	X	X	Not Enabled	General-Purpose I/O; \overline{SS} Ignored by SPI
1	0	X	Slave	Input-Only to SPI
1	1	0	Master without MODF	General-Purpose I/O; \overline{SS} Ignored by SPI
1	1	1	Master with MODF	Input-Only to SPI

X = don't care

18.13.5 V_{SS} (Clock Ground)

V_{SS} is the ground return for the serial clock pin, SPSCCK, and the ground for the port output buffers. To reduce the ground return path loop and minimize radio frequency (RF) emissions, connect the ground pin of the slave to the V_{SS} pin.

18.14 I/O Registers

Three registers control and monitor SPI operation:

- SPI control register (SPCR, \$0010)
- SPI status and control register (SPSCR, \$0011)
- SPI data register (SPDR, \$0012)

18.14.1 SPI Control Register

The SPI control register:

- Enables SPI module interrupt requests
- Selects CPU interrupt requests
- Configures the SPI module as master or slave
- Selects serial clock polarity and phase
- Configures the SPSCCK, MOSI, and MISO pins as open-drain outputs
- Enables the SPI module

Address: \$0010

	Bit 7	6	5	4	3	2	1	Bit 0
Read:	SPRIE	R	SPMSTR	CPOL	CPHA	SPWOM	SPE	SPTIE
Write:								
Reset:	0	0	1	0	1	0	0	0

R = Reserved

Figure 18-12. SPI Control Register (SPCR)

SPRIE — SPI Receiver Interrupt Enable Bit

This read/write bit enables CPU interrupt requests generated by the SPRF bit. The SPRF bit is set when a byte transfers from the shift register to the receive data register. Reset clears the SPRIE bit.

- 1 = SPRF CPU interrupt requests enabled
- 0 = SPRF CPU interrupt requests disabled

SPMSTR — SPI Master Bit

This read/write bit selects master mode operation or slave mode operation. Reset sets the SPMSTR bit.

- 1 = Master mode
- 0 = Slave mode

CPOL — Clock Polarity Bit

This read/write bit determines the logic state of the SPSCCK pin between transmissions. (See [Figure 18-3](#) and [Figure 18-5](#).) To transmit data between SPI modules, the SPI modules must have identical CPOL bits. Reset clears the CPOL bit.

CPHA — Clock Phase Bit

This read/write bit controls the timing relationship between the serial clock and SPI data. (See [Figure 18-3](#) and [Figure 18-5](#).) To transmit data between SPI modules, the SPI modules must have identical CPHA bits. When CPHA = 0, the \overline{SS} pin of the slave SPI module must be set to logic 1 between bytes. (See [Figure 18-11](#).) Reset sets the CPHA bit.

When CPHA = 0 for a slave, the falling edge of \overline{SS} indicates the beginning of the transmission. This causes the SPI to leave its idle state and begin driving the MISO pin with the MSB of its data. Once the transmission begins, no new data is allowed into the shift register from the data register. Therefore, the slave data register must be loaded with the desired transmit data before the falling edge of \overline{SS} . Any data written after the falling edge is stored in the data register and transferred to the shift register at the current transmission.

When CPHA = 1 for a slave, the first edge of the SPSCCK indicates the beginning of the transmission. The same applies when \overline{SS} is high for a slave. The MISO pin is held in a high-impedance state, and the incoming SPSCCK is ignored. In certain cases, it may also cause the MODF flag to be set. (See [18.7.2 Mode Fault Error](#).) A logic 1 on the \overline{SS} pin does not in any way affect the state of the SPI state machine.

SPWOM — SPI Wired-OR Mode Bit

This read/write bit disables the pullup devices on pins SPSCCK, MOSI, and MISO so that those pins become open-drain outputs.

1 = Wired-OR SPSCCK, MOSI, and MISO pins

0 = Normal push-pull SPSCCK, MOSI, and MISO pins

SPE — SPI Enable Bit

This read/write bit enables the SPI module. Clearing SPE causes a partial reset of the SPI. (See [18.10 Resetting the SPI](#).) Reset clears the SPE bit.

1 = SPI module enabled

0 = SPI module disabled

SPTIE— SPI Transmit Interrupt Enable Bit

This read/write bit enables CPU interrupt requests generated by the SPTE bit. SPTE is set when a byte transfers from the transmit data register to the shift register. Reset clears the SPTIE bit.

1 = SPTE CPU interrupt requests enabled

0 = SPTE CPU interrupt requests disabled

18.14.2 SPI Status and Control Register

The SPI status and control register contains flags to signal the following conditions:

- Receive data register full
- Failure to clear SPRF bit before next byte is received (overflow error)
- Inconsistent logic level on \overline{SS} pin (mode fault error)
- Transmit data register empty

The SPI status and control register also contains bits that perform these functions:

- Enable error interrupts
- Enable mode fault error detection
- Select master SPI baud rate

Address: \$0011

	Bit 7	6	5	4	3	2	1	Bit 0
Read:	SPRF	ERRIE	OVRF	MODF	SPTF	MODFEN	SPR1	SPR0
Write:	R		R	R	R			
Reset:	0	0	0	0	1	0	0	0

R = Reserved

Figure 18-13. SPI Status and Control Register (SPSCR)

SPRF — SPI Receiver Full Bit

This clearable, read-only flag is set each time a byte transfers from the shift register to the receive data register. SPRF generates a CPU interrupt request if the SPRIE bit in the SPI control register is set also. During an SPRF CPU interrupt, the CPU clears SPRF by reading the SPI status and control register with SPRF set and then reading the SPI data register. Any read of the SPI data register clears the SPRF bit, and reset also clears the SPRF bit.

- 1 = Receive data register full
- 0 = Receive data register not full

ERRIE — Error Interrupt Enable Bit

This bit enables the MODF and OVRF flags to generate CPU interrupt requests. Reset clears the ERRIE bit.

- 1 = MODF and OVRF can generate CPU interrupt requests
- 0 = MODF and OVRF cannot generate CPU interrupt requests

OVRF — Overflow Bit

This clearable, read-only flag is set if software does not read the byte in the receive data register before the next byte enters the shift register. In an overflow condition, the byte already in the receive data register is unaffected, and the byte that shifted in last is lost. Clear the OVRF bit by reading the SPI status and control register with OVRF set and then reading the SPI data register. Reset clears the OVRF flag.

- 1 = Overflow
- 0 = No overflow

MODF — Mode Fault Bit

This clearable, ready-only flag is set in a slave SPI if the \overline{SS} pin goes high during a transmission. In a master SPI, the MODF flag is set if the \overline{SS} pin goes low at any time. Clear the MODF bit by reading the SPI status and control register with MODF set and then writing to the SPI control register. Reset clears the MODF bit.

1 = \overline{SS} pin at inappropriate logic level

0 = \overline{SS} pin at appropriate logic level

SPTIE — SPI Transmitter Empty Bit

This clearable, read-only flag is set each time the transmit data register transfers a byte into the shift register. SPTIE generates an SPTIE CPU interrupt request if the SPTIE bit in the SPI control register is set also.

NOTE: *Do not write to the SPI data register unless the SPTIE bit is high.*

For an idle master or idle slave that has no data loaded into its transmit buffer, the SPTIE will be set again within two bus cycles since the transmit buffer empties into the shift register. This allows the user to queue up a 16-bit value to send. For an already active slave, the load of the shift register cannot occur until the transmission is completed. This implies that a back-to-back write to the transmit data register is not possible. The SPTIE indicates when the next write can occur. Reset sets the SPTIE bit.

1 = Transmit data register empty

0 = Transmit data register not empty

MODFEN — Mode Fault Enable Bit

This read/write bit, when set to 1, allows the MODF flag to be set. If the MODF flag is set, clearing the MODFEN does not clear the MODF flag. If the SPI is enabled as a master and the MODFEN bit is low, then the \overline{SS} pin is available as a general-purpose I/O.

If the MODFEN bit is set, then this pin is not available as a general-purpose I/O. When the SPI is enabled as a slave, the \overline{SS} pin is not available as a general-purpose I/O regardless of the value of MODFEN. (See [18.13.4 SS \(Slave Select\)](#).)

If the MODFEN bit is low, the level of the \overline{SS} pin does not affect the operation of an enabled SPI configured as a master. For an enabled SPI configured as a slave, having MODFEN low only prevents the MODF flag from being set. It does not affect any other part of SPI operation. (See [18.7.2 Mode Fault Error](#).)

SPR1 and SPR0 — SPI Baud Rate Select Bits

In master mode, these read/write bits select one of four baud rates as shown in [Table 18-6](#). SPR1 and SPR0 have no effect in slave mode. Reset clears SPR1 and SPR0.

Table 18-6. SPI Master Baud Rate Selection

SPR1:SPR0	Baud Rate Divisor (BD)
00	2
01	8
10	32
11	128

Use this formula to calculate the SPI baud rate:

$$\text{Baud rate} = \frac{\text{CGMOUT}}{2 \times \text{BD}}$$

where:

CGMOUT = base clock output of the clock generator module (CGM), see [Section 8. Clock Generator Module \(CGM\)](#).

BD = baud rate divisor

18.14.3 SPI Data Register

The SPI data register is the read/write buffer for the receive data register and the transmit data register. Writing to the SPI data register writes data into the transmit data register. Reading the SPI data register reads data from the receive data register. The transmit data and receive data registers are separate buffers that can contain different values. See [Figure 18-1](#).

Address: \$0012

	Bit 7	6	5	4	3	2	1	Bit 0
Read:	R7	R6	R5	R4	R3	R2	R1	R0
Write:	T7	T6	T5	T4	T3	T2	T1	T0
Reset:	Unaffected by Reset							

Figure 18-14. SPI Data Register (SPDR)

R7–R0/T7–T0 — Receive/Transmit Data Bits

NOTE: *Do not use read-modify-write instructions on the SPI data register since the buffer read is not the same as the buffer written.*

Section 19. Analog-to-Digital Converter (ADC)

19.1 Contents

19.2	Introduction	310
19.3	Features	310
19.4	Functional Description	310
19.4.1	ADC Port I/O Pins	311
19.4.2	Voltage Conversion	312
19.4.3	Conversion Time	312
19.4.4	Continuous Conversion Mode	313
19.4.5	Accuracy and Precision	313
19.5	Interrupts	313
19.6	Low-Power Modes	313
19.6.1	Wait Mode	313
19.6.2	Stop Mode	314
19.7	I/O Signals	314
19.7.1	ADC Analog Power Pin (V_{DDA}/V_{DDAREF})/ADC Voltage Reference Pin (V_{REFH})	314
19.7.2	ADC Analog Ground Pin (V_{SSA})/ADC Voltage Reference Low Pin (V_{REFL})	314
19.7.3	ADC Voltage In (ADCVIN)	315
19.8	I/O Registers	315
19.8.1	ADC Status and Control Register	315
19.8.2	ADC Data Register	318
19.8.3	ADC Input Clock Register	318

19.2 Introduction

This section describes the 8-bit analog-to-digital converter (ADC).

19.3 Features

Features of the ADC module include:

- 15 channels (52-PLCC) with multiplexed input
- Linear successive approximation
- 8-bit resolution
- Single or continuous conversion
- Conversion complete flag or conversion complete interrupt
- Selectable ADC clock

19.4 Functional Description

Fifteen ADC channels are available for sampling external sources at pins PTD6/ATD14/TCLK-PTD0/ATD8 and PTB7/ATD7-PTB0/ATD0. An analog multiplexer allows the single ADC converter to select one of the 15 ADC channels as ADC voltage input (ADCVIN). ADCVIN is converted by the successive approximation register-based counters. When the conversion is completed, ADC places the result in the ADC data register and sets a flag or generates an interrupt. (See [Figure 19-1](#).)

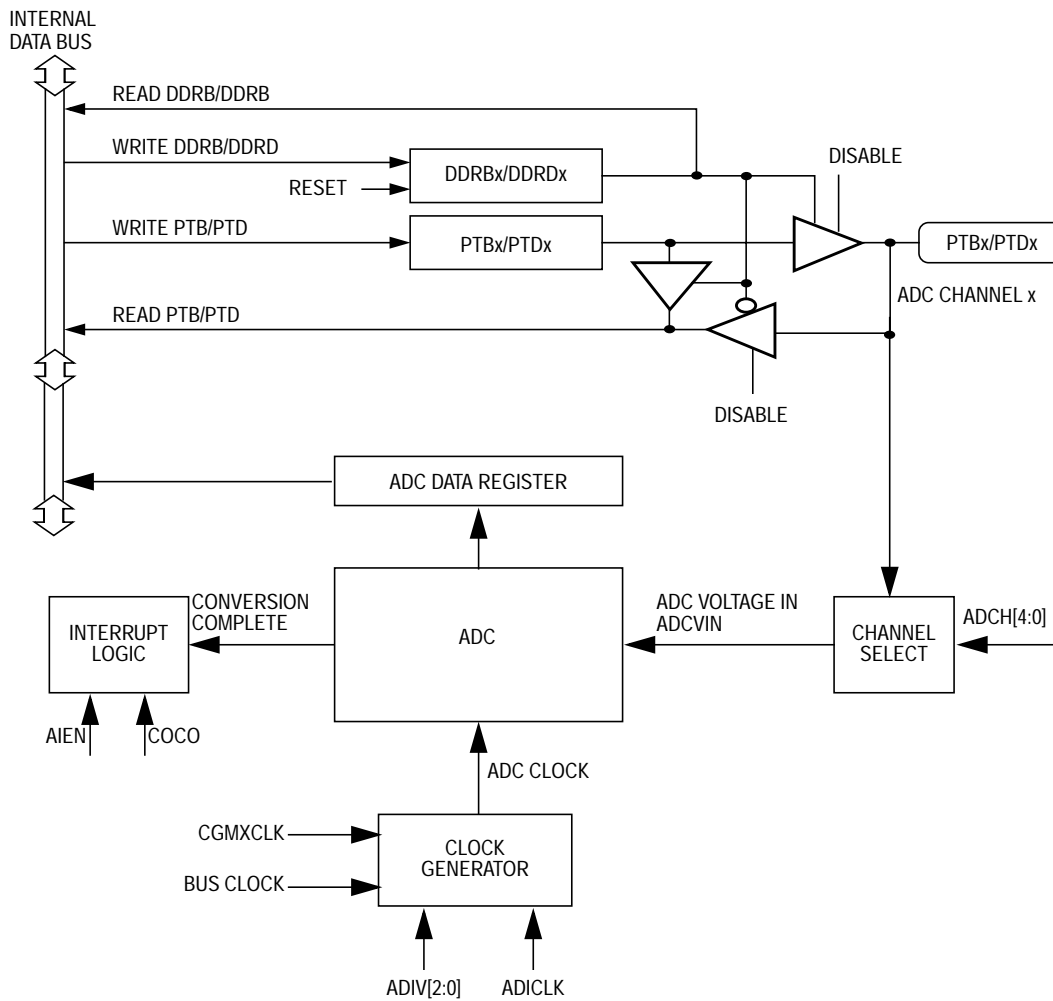


Figure 19-1. ADC Block Diagram

19.4.1 ADC Port I/O Pins

PTD6/ATD14/TCLK–PTD0/ATD8 and PTB7/ATD7–PTB0/ATD0 are general-purpose I/O pins that are shared with the ADC channels.

The channel select bits (ADC status control register, \$0038), define which ADC channel/port pin will be used as the input signal. The ADC overrides the port I/O logic by forcing that pin as input to the ADC. The remaining ADC channels/port pins are controlled by the port I/O logic and can be used as general-purpose I/O. Writes to the port register or DDR will not have any affect on the port pin that is selected by the ADC.

Read of a port pin which is in use by the ADC will return a logic 0 if the corresponding DDR bit is at logic 0. If the DDR bit is at logic 1, the value in the port data latch is read.

NOTE: Do not use ADC channel ATD14 when using the PTD6/ATD14/TCLK pin as the clock input for the TIM.

19.4.2 Voltage Conversion

When the input voltage to the ADC equals V_{REFH} (see [21.7 ADC Characteristics](#)), the ADC converts the signal to \$FF (full scale). If the input voltage equals V_{SSA}/V_{REFL} the ADC converts it to \$00. Input voltages between V_{REFH} and V_{SSA}/V_{REFL} are a straight-line linear conversion. All other input voltages will result in \$FF if greater than V_{REFH} and \$00 if less than V_{SSA}/V_{REFL} .

NOTE: Input voltage should not exceed the analog supply voltages.

19.4.3 Conversion Time

Sixteen ADC internal clocks are required to perform one conversion. The ADC starts a conversion on the first rising edge of the ADC internal clock immediately following a write to the ADSCR. If the ADC internal clock is selected to run at 1 MHz, then one conversion will take 16 μ s to complete. But since the ADC can run almost completely asynchronously to the bus clock, (for example, the ADC is configured to derive its internal clock from CGMXCLK and the bus clock is being derived from the PLL within the CGM [CGMOUT]), this 16- μ s conversion can take up to 17 μ s to complete. This worst-case could occur if the write to the ADSCR happened directly after the rising edge of the ADC internal clock causing the conversion to wait until the next rising edge of the ADC internal clock. With a 1-MHz ADC internal clock, the maximum sample rate is 59 kHz to 62 kHz. Refer to [21.7 ADC Characteristics](#)

$$\text{Conversion Time} = \frac{16 \text{ to } 17 \text{ ADC Clock Cycles}}{\text{ADC Clock Frequency}}$$

$$\text{Number of Bus Cycles} = \text{Conversion Time} \times \text{Bus Frequency}$$

19.4.4 Continuous Conversion Mode

In the continuous conversion mode, the ADC continuously converts the selected channel, filling the ADC data register with new data after each conversion. Data from the previous conversion will be overwritten whether that data has been read or not. Conversions will continue until the ADCO bit is cleared. The COCO bit (ADC status control register, \$0038) is set after each conversion and can be cleared by writing the ADC status and control register or reading of the ADC data register.

19.4.5 Accuracy and Precision

The conversion process is monotonic and has no missing codes. See [21.7 ADC Characteristics](#) for accuracy information.

19.5 Interrupts

When the AIEN bit is set, the ADC module is capable of generating a CPU interrupt after each ADC conversion. A CPU interrupt is generated if the COCO bit is at logic 0. The COCO bit is not used as a conversion complete flag when interrupts are enabled.

19.6 Low-Power Modes

The following subsections describe the low-power modes.

19.6.1 Wait Mode

The ADC continues normal operation during wait mode. Any enabled CPU interrupt request from the ADC can bring the MCU out of wait mode. If the ADC is not required to bring the MCU out of wait mode, power down the ADC by setting the ADCH[4:0] bits in the ADC status and control register to logic 1s before executing the WAIT instruction.

19.6.2 Stop Mode

The ADC module is inactive after the execution of a STOP instruction. Any pending conversion is aborted. ADC conversions resume when the MCU exits stop mode. Allow one conversion cycle to stabilize the analog circuitry before attempting a new ADC conversion after exiting stop mode.

19.7 I/O Signals

The ADC module has 15 channels that are shared with I/O ports B and D and one channel with an input-only port bit on port D. Refer to [21.7 ADC Characteristics](#) for voltages referenced in the next three subsections.

19.7.1 ADC Analog Power Pin (V_{DDA}/V_{DDAREF})/ADC Voltage Reference Pin (V_{REFH})

The ADC analog portion uses V_{DDA}/V_{DDAREF} as its power pin. Connect the V_{DDA}/V_{DDAREF} pin to the same voltage potential as V_{DD} . External filtering may be necessary to ensure clean V_{DDA}/V_{DDAREF} for good results.

V_{REFH} is the high reference voltage for all analog-to-digital conversions. Connect the V_{REFH} pin to a voltage potential between 1.5 volts and V_{DDAREF}/V_{DDA} depending on the desired upper conversion boundary.

NOTE: *Route V_{DDA}/V_{DDAREF} carefully for maximum noise immunity and place bypass capacitors as close as possible to the package.*

19.7.2 ADC Analog Ground Pin (V_{SSA})/ADC Voltage Reference Low Pin (V_{REFL})

The ADC analog portion uses V_{SSA} as its ground pin. Connect the V_{SSA} pin to the same voltage potential as V_{SS} . V_{REFL} is the lower reference supply for the ADC.

19.7.3 ADC Voltage In (ADCVIN)

ADCVIN is the input voltage signal from one of the 15 ADC channels to the ADC module.

19.8 I/O Registers

These I/O registers control and monitor ADC operation:

- ADC status and control register (ADSCR)
- ADC data register (ADR)
- ADC input clock register (ADICLK)

19.8.1 ADC Status and Control Register

The following paragraphs describe the function of the ADC status and control register.

Address: \$0038

	Bit 7	6	5	4	3	2	1	Bit 0
Read:	COCO	AIEN	ADCO	ADCH4	ADCH3	ADCH2	ADCH1	ADCH0
Write:	R							
Reset:	0	0	0	1	1	1	1	1

R = Reserved

Figure 19-2. ADC Status and Control Register (ADSCR)

COCO — Conversions Complete Bit

When the AIEN bit is a logic 0, the COCO is a read-only bit which is set each time a conversion is completed. This bit is cleared whenever the ADC status and control register is written or whenever the ADC data register is read. Reset clears this bit.

When the AIEN bit is a logic 1, the COCO bit selects CPU interrupts when clear. COCO does not get set after each conversion while AIEN = 1.

1 = conversion completed (AIEN = 0)

0 = conversion not completed (AIEN = 0)

or

0 = CPU interrupt enabled (AIEN = 1)

AIEN — ADC Interrupt Enable Bit

When this bit is set, an interrupt is generated at the end of an ADC conversion. The interrupt signal is cleared when the data register is read or the status/control register is written. Reset clears the AIEN bit.

1 = ADC interrupt enabled

0 = ADC interrupt disabled

ADCO — ADC Continuous Conversion Bit

When set, the ADC will convert samples continuously and update the ADR register at the end of each conversion. Only one conversion is allowed when this bit is cleared. Reset clears the ADCO bit.

1 = Continuous ADC conversion

0 = One ADC conversion

ADCH[4:0] — ADC Channel Select Bits

ADCH4, ADCH3, ADCH2, ADCH1, and ADCH0 form a 5-bit field which is used to select one of the ADC channels. The five channel select bits are detailed in [Table 19-1](#). Care should be taken when using a port pin as both an analog and a digital input simultaneously to prevent switching noise from corrupting the analog signal. (See [Table 19-1](#).)

The ADC subsystem is turned off when the channel select bits are all set to one. This feature allows for reduced power consumption for the MCU when the ADC is not used. Reset sets all of these bits to a logic 1.

NOTE: *Recovery from the disabled state requires one conversion cycle to stabilize.*

Table 19-1. Mux Channel Select

ADCH4	ADCH3	ADCH2	ADCH1	ADCH0	Input Select
0	0	0	0	0	PTB0/ATD0
0	0	0	0	1	PTB1/ATD1
0	0	0	1	0	PTB2/ATD2
0	0	0	1	1	PTB3/ATD3
0	0	1	0	0	PTB4/ATD4
0	0	1	0	1	PTB5/ATD5
0	0	1	1	0	PTB6/ATD6
0	0	1	1	1	PTB7/ATD7
0	1	0	0	0	PTD0/ATD8
0	1	0	0	1	PTD1/ATD9
0	1	0	1	0	PTD2/ATD10
0	1	0	1	1	PTD3/ATD11
0	1	1	0	0	PTD4/ATD12
0	1	1	0	1	PTD5/ATD13
0	1	1	1	0	PTD6/ATD14/TCLK
Range 01111 (\$0F) to 11010 (\$1A)					Unused ⁽¹⁾
1	1	0	1	1	Reserved
1	1	1	0	0	Unused ⁽¹⁾
1	1	1	0	1	V_{REFH} ⁽²⁾
1	1	1	1	0	V_{SSA}/V_{REFL} ⁽²⁾
1	1	1	1	1	ADC Power Off

1. If any unused channels are selected, the resulting ADC conversion will be unknown.
2. The voltage levels supplied from internal reference nodes as specified in the table are used to verify the operation of the ADC converter both in production test and for user applications.

Analog-to-Digital Converter (ADC)

19.8.2 ADC Data Register

One 8-bit data register is provided. This register is updated each time an ADC conversion completes.

Address: \$0039

	Bit 7	6	5	4	3	2	1	Bit 0
Read:	AD7	AD6	AD5	AD4	AD3	AD2	AD1	AD0
Write:	R	R	R	R	R	R	R	R

Reset: Unaffected by Reset

R

 = Reserved

Figure 19-3. ADC Data Register (ADR)

19.8.3 ADC Input Clock Register

This register selects the clock frequency for the ADC.

Address: \$003A

	Bit 7	6	5	4	3	2	1	Bit 0
Read:	ADIV2	ADIV1	ADIV0	ADICLK	0	0	0	0
Write:	R	R	R	R	R	R	R	R

Reset: 0 0 0 0 0 0 0 0

R

 = Reserved

Figure 19-4. ADC Input Clock Register (ADICLK)

ADIV2:ADIV0 — ADC Clock Prescaler Bits

ADIV2, ADIV1, and ADIV0 form a 3-bit field which selects the divide ratio used by the ADC to generate the internal ADC clock. [Table 19-2](#) shows the available clock configurations. The ADC clock should be set to approximately 1 MHz.

Table 19-2. ADC Clock Divide Ratio

ADIV2	ADIV1	ADIV0	ADC Clock Rate
0	0	0	ADC Input Clock ÷ 1
0	0	1	ADC Input Clock ÷ 2
0	1	0	ADC Input Clock ÷ 4
0	1	1	ADC Input Clock ÷ 8
1	X	X	ADC Input Clock ÷ 16

X = Don't Care

ADICLK — ADC Input Clock Register Bit

ADICLK selects either bus clock or CGMXCLK as the input clock source to generate the internal ADC clock. Reset selects CGMXCLK as the ADC clock source.

If the external clock (CGMXCLK) is equal to or greater than 1 MHz, CGMXCLK can be used as the clock source for the ADC. If CGMXCLK is less than 1 MHz, use the PLL-generated bus clock as the clock source. As long as the internal ADC clock is at approximately 1 MHz, correct operation can be guaranteed. (See [21.7 ADC Characteristics](#).)

1 = Internal bus clock

0 = External clock (CGMXCLK)

$$1 \text{ MHz} = \frac{f_{\text{CLK or Bus Frequency}}}{\text{ADIV}[2:0]}$$

NOTE: *During the conversion process, changing the ADC clock will result in an incorrect conversion.*

Section 20. Byte Data Link Controller-Digital (BDLC-D)

20.1 Contents

20.2	Introduction	323
20.3	Features	323
20.4	Functional Description	324
20.4.1	BDLC Operating Modes	326
20.4.1.1	Power Off Mode	327
20.4.1.2	Reset Mode	327
20.4.1.3	Run Mode	327
20.4.1.4	BDLC Wait Mode	328
20.4.1.5	BDLC Stop Mode	328
20.4.1.6	Digital Loopback Mode	328
20.4.1.7	Analog Loopback Mode	329
20.5	BDLC MUX Interface	329
20.5.1	Rx Digital Filter	330
20.5.1.1	Operation	330
20.5.1.2	Performance	331
20.5.2	J1850 Frame Format	332
20.5.3	J1850 VPW Symbols	335
20.5.4	J1850 VPW Valid/Invalid Bits and Symbols	338
20.5.5	Message Arbitration	343
20.6	BDLC Protocol Handler	345
20.6.1	Protocol Architecture	346
20.6.2	Rx and Tx Shift Registers	347
20.6.3	Rx and Tx Shadow Registers	347
20.6.4	Digital Loopback Multiplexer	347

20.6.5	State Machine	348
20.6.5.1	4X Mode.	348
20.6.5.2	Receiving a Message in Block Mode	348
20.6.5.3	Transmitting a Message in Block Mode	348
20.6.5.4	J1850 Bus Errors	349
20.6.5.5	Summary	351
20.7	BDLC CPU Interface.	352
20.7.1	BDLC Analog and Roundtrip Delay Register	353
20.7.2	BDLC Control Register 1.	354
20.7.3	BDLC Control Register 2.	357
20.7.4	BDLC State Vector Register	364
20.7.5	BDLC Data Register	366
20.8	Low-Power Modes	368
20.8.1	Wait Mode	368
20.8.2	Stop Mode.	368

20.2 Introduction

The byte data link controller (BDLC) provides access to an external serial communication multiplex bus, operating according to the Society of Automotive Engineers (SAE) J1850 protocol.

20.3 Features

Features of the BDLC module include:

- SAE J1850 class B data communications network interface compatible and ISO compatible for low speed (≤ 125 kbps) serial data communications in automotive applications
- 10.4 kbps variable pulse width (VPW) bit format
- Digital noise filter
- Collision detection
- Hardware cyclical redundancy check (CRC) generation and checking
- Two power-saving modes with automatic wakeup on network activity
- Polling and CPU interrupts available
- Block mode receive and transmit supported
- Supports 4X receive mode, 41.6 kbps
- Digital loopback mode
- Analog loopback mode
- In-frame response (IFR) types 0, 1, 2, and 3 supported

20.4 Functional Description

Figure 20-1 shows the organization of the BDLC module. The CPU interface contains the software addressable registers and provides the link between the CPU and the buffers. The buffers provide storage for data received and data to be transmitted onto the J1850 bus. The protocol handler is responsible for the encoding and decoding of data bits and special message symbols during transmission and reception. The MUX interface provides the link between the BDLC digital section and the analog physical interface. The wave shaping, driving, and digitizing of data is performed by the physical interface.

Use of the BDLC module in message networking fully implements the *SAE Standard J1850 Class B Data Communication Network Interface* specification.

NOTE: *It is recommended that the reader be familiar with the SAE J1850 document and ISO Serial Communication document prior to proceeding with this section of the MC68HC08AS32 specification.*

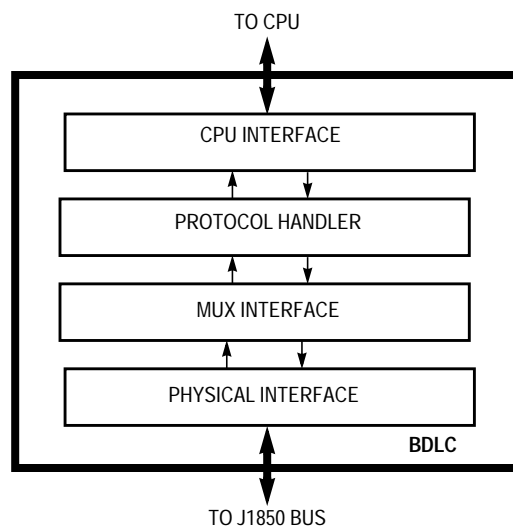


Figure 20-1. BDLC Block Diagram

Table 20-1. BDLC I/O Register Summary

Addr.	Name		Bit 7	6	5	4	3	2	1	Bit 0
\$003B	BDLC Analog and Roundtrip Delay Register (BARD)	Read:	ATE	RXPOL	0	0	BO3	BO2	BO1	BO0
		Write:			R	R				
\$003C	BDLC Control Register 1 (BCR1)	Read:	IMSG	CLKS	R1	R0	0	0	IE	WCM
		Write:					R	R		
\$003D	BDLC Control Register 2 (BCR2)	Read:	ALOOP	DLOOP	RX4XE	NBFS	TEOD	TSIFR	TMIFR1	TMIFR0
\$003E	BDLC State Vector Register (BSVR)	Read:	0	0	I3	I2	I1	I0	0	0
		Write:	R	R	R	R	R	R	R	R
\$003F	BDLC Data Register (BDR)	Read:	BD7	BD6	BD5	BD4	BD3	BD2	BD1	BD0
		Write:								

R

 = Reserved

20.4.1 BDLC Operating Modes

The BDLC has five main modes of operation which interact with the power supplies, pins, and the remainder of the MCU as shown in [Figure 20-2](#).

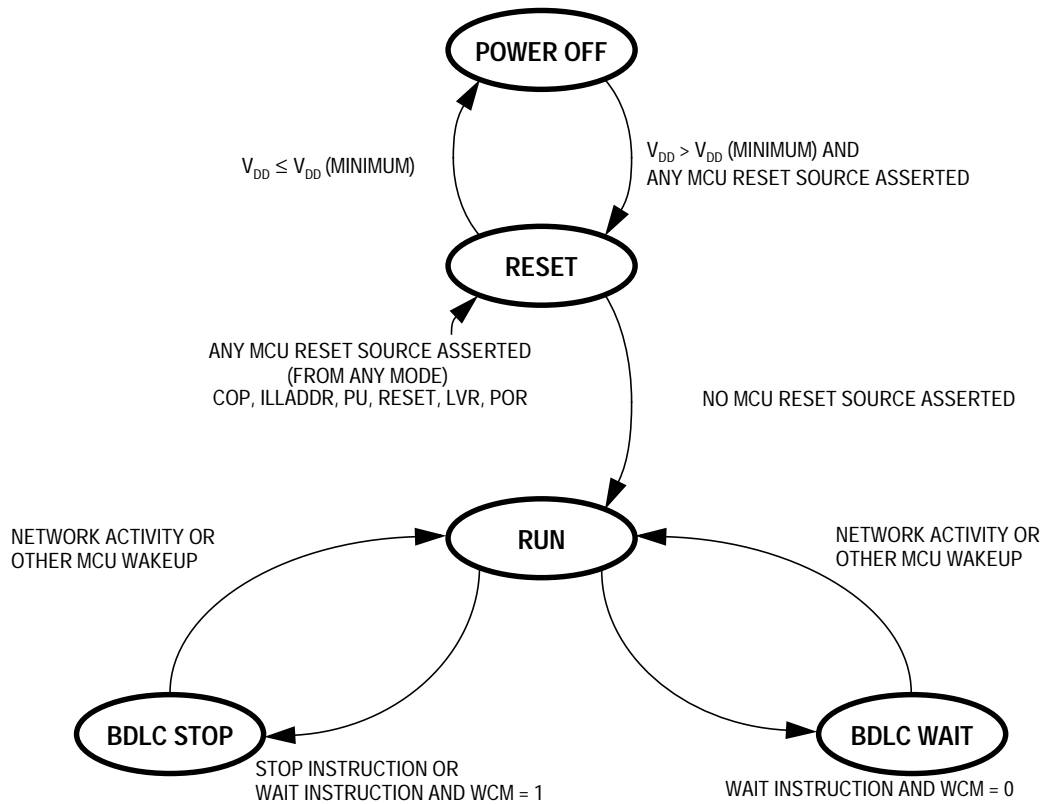


Figure 20-2. BDLC Operating Modes State Diagram

20.4.1.1 Power Off Mode

This mode is entered from reset mode whenever the BDLC supply voltage, V_{DD} , drops below its minimum specified value for the BDLC to guarantee operation. The BDLC will be placed in reset mode by low-voltage reset (LVR) before being powered down. In this mode, the pin input and output specifications are not guaranteed.

20.4.1.2 Reset Mode

This mode is entered from the power off mode whenever the BDLC supply voltage, V_{DD} , rises above its minimum specified value ($V_{DD} - 10\%$) and some MCU reset source is asserted. The internal MCU reset must be asserted while powering up the BDLC or an unknown state will be entered and correct operation cannot be guaranteed. Reset mode is also entered from any other mode as soon as one of the MCU's possible reset sources (such as LVR, POR, COP watchdog, and reset pin, etc.) is asserted.

In reset mode, the internal BDLC voltage references are operative; V_{DD} is supplied to the internal circuits which are held in their reset state; and the internal BDLC system clock is running. Registers will assume their reset condition. Outputs are held in their programmed reset state. Therefore, inputs and network activity are ignored.

20.4.1.3 Run Mode

This mode is entered from the reset mode after all MCU reset sources are no longer asserted. Run mode is entered from the BDLC wait mode whenever activity is sensed on the J1850 bus.

Run mode is entered from the BDLC stop mode whenever network activity is sensed, although messages will not be received properly until the clocks have stabilized and the CPU is in run mode also.

In this mode, normal network operation takes place. The user should ensure that all BDLC transmissions have ceased before exiting this mode.

20.4.1.4 BDLC Wait Mode

This power-conserving mode is entered automatically from run mode whenever the CPU executes a WAIT instruction and if the WCM bit in the BCR1 register is cleared previously.

In this mode, the BDLC internal clocks continue to run. The first passive-to-active transition of the bus generates a CPU interrupt request from the BDLC which wakes up the BDLC and the CPU. In addition, if the BDLC receives a valid EOF symbol while operating in wait mode, then the BDLC also will generate a CPU interrupt request which wakes up the BDLC and the CPU. See [20.8.1 Wait Mode](#).

20.4.1.5 BDLC Stop Mode

This power-conserving mode is entered automatically from run mode whenever the CPU executes a STOP instruction or if the CPU executes a WAIT instruction and the WCM bit in the BCR1 register is set previously.

In this mode, the BDLC internal clocks are stopped but the physical interface circuitry is placed in a low-power mode and awaits network activity. If network activity is sensed, then a CPU interrupt request will be generated, restarting the BDLC internal clocks. See [20.8.2 Stop Mode](#).

20.4.1.6 Digital Loopback Mode

When a bus fault has been detected, the digital loopback mode is used to determine if the fault condition is caused by failure in the node's internal circuits or elsewhere in the network, including the node's analog physical interface. In this mode, the transmit digital output pin (BDTxD) and the receive digital input pin (BDRxD) of the digital interface are disconnected from the analog physical interface and tied together to allow the digital portion of the BDLC to transmit and receive its own messages without driving the J1850 bus.

20.4.1.7 Analog Loopback Mode

Analog loopback is used to determine if a bus fault has been caused by a failure in the node's off-chip analog transceiver or elsewhere in the network. The BCLD analog loopback mode does not modify the digital transmit or receive functions of the BDLC. It does, however, ensure that once analog loopback mode is exited, the BDLC will wait for an idle bus condition before participation in network communication resumes. If the off-chip analog transceiver has a loopback mode, it usually causes the input to the output drive stage to be looped back into the receiver, allowing the node to receive messages it has transmitted without driving the J1850 bus. In this mode, the output to the J1850 bus is typically high impedance. This allows the communication path through the analog transceiver to be tested without interfering with network activity. Using the BDLC analog loopback mode in conjunction with the analog transceiver's loopback mode ensures that, once the off-chip analog transceiver has exited loopback mode, the BCLD will not begin communicating before a known condition exists on the J1850 bus.

20.5 BDLC MUX Interface

The MUX interface is responsible for bit encoding/decoding and digital noise filtering between the protocol handler and the physical interface.

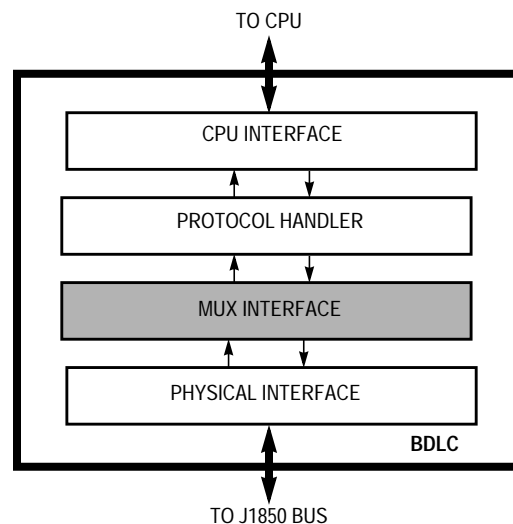


Figure 20-3. BDLC Block Diagram

20.5.1 Rx Digital Filter

The receiver section of the BDLC includes a digital low pass filter to remove narrow noise pulses from the incoming message. An outline of the digital filter is shown in [Figure 20-4](#).

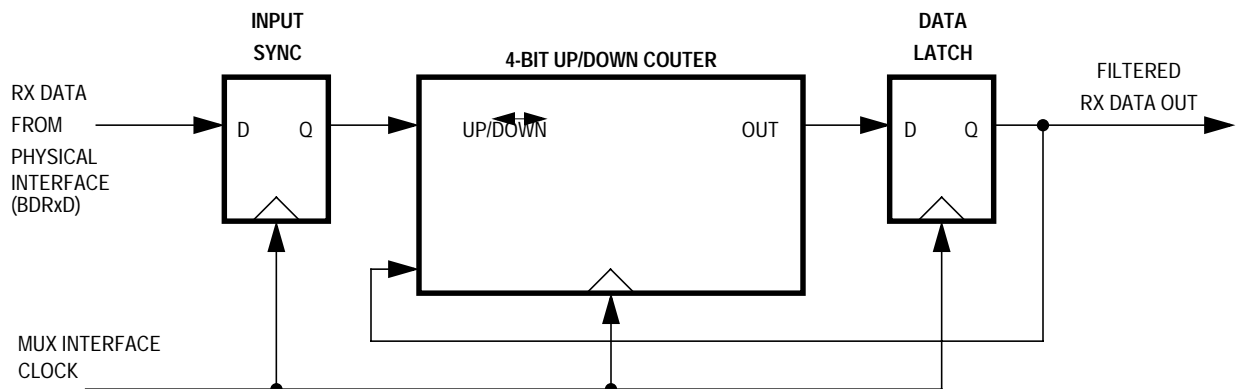


Figure 20-4. BDLC Rx Digital Filter Block Diagram

20.5.1.1 Operation

The clock for the digital filter is provided by the MUX interface clock (see f_{BDLC} parameter in [Table 20-4](#)). At each positive edge of the clock signal, the current state of the receiver physical interface (BDRxD) signal is sampled. The BDRxD signal state is used to determine whether the counter should increment or decrement at the next negative edge of the clock signal.

The counter will increment if the input data sample is high but decrement if the input sample is low. Therefore, the counter will thus progress either up toward 15 if, on average, the BDRxD signal remains high or progress down toward 0 if, on average, the BDRxD signal remains low.

When the counter eventually reaches the value 15, the digital filter decides that the condition of the BDRxD signal is at a stable logic level 1 and the data latch is set, causing the filtered Rx data signal to become a logic level 1. Furthermore, the counter is prevented from overflowing and can only be decremented from this state.

Alternatively, should the counter eventually reach the value 0, the digital filter decides that the condition of the BDRxD signal is at a stable logic level 0 and the data latch is reset, causing the filtered Rx data signal to become a logic level 0. Furthermore, the counter is prevented from underflowing and can only be incremented from this state.

The data latch will retain its value until the counter next reaches the opposite end point, signifying a definite transition of the signal.

20.5.1.2 Performance

The performance of the digital filter is best described in the time domain rather than the frequency domain.

If the signal on the BDRxD signal transitions, then there will be a delay before that transition appears at the filtered Rx data output signal. This delay will be between 15 and 16 clock periods, depending on where the transition occurs with respect to the sampling points. This filter delay must be taken into account when performing message arbitration.

For example, if the frequency of the MUX interface clock (f_{BDLC}) is 1.0486 MHz, then the period (t_{BDLC}) is 954 ns and the maximum filter delay in the absence of noise will be 15.259 μs .

The effect of random noise on the BDRxD signal depends on the characteristics of the noise itself. Narrow noise pulses on the BDRxD signal will be ignored completely if they are shorter than the filter delay. This provides a degree of low pass filtering.

If noise occurs during a symbol transition, the detection of that transition can be delayed by an amount equal to the length of the noise burst. This is just a reflection of the uncertainty of where the transition is truly occurring within the noise.

Noise pulses that are wider than the filter delay, but narrower than the shortest allowable symbol length, will be detected by the next stage of the BDLC's receiver as an invalid symbol.

Noise pulses that are longer than the shortest allowable symbol length will be detected normally as an invalid symbol or as invalid data when the frame's CRC is checked.

20.5.2 J1850 Frame Format

All messages transmitted on the J1850 bus are structured using the format shown in [Figure 20-5](#).

J1850 states that each message has a maximum length of 101 PWM bit times or 12 VPW bytes, excluding SOF, EOD, NB, and EOF, with each byte transmitted MSB first.

All VPW symbol lengths in the following descriptions are typical values at a 10.4 kbps bit rate.

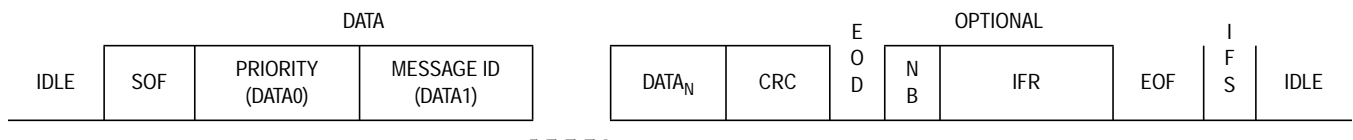


Figure 20-5. J1850 Bus Message Format (VPW)

SOF — Start-of-Frame Symbol

All messages transmitted onto the J1850 bus must begin with a long-active 200- μ s period SOF symbol. This indicates the start of a new message transmission. The SOF symbol is not used in the CRC calculation.

Data — In-Message Data Bytes

The data bytes contained in the message include the message priority/type, message ID byte (typically the physical address of the responder), and any actual data being transmitted to the receiving node. The message format used by the BDLC is similar to the 3-byte consolidated header message format outlined by the SAE J1850 document. See *SAE J1850 — Class B Data Communications Network Interface* for more information about 1- and 3-byte headers.

Messages transmitted by the BDLC onto the J1850 bus must contain at least one data byte and, therefore, can be as short as one data byte and one CRC byte. Each data byte in the message is eight bits in length and is transmitted MSB to LSB.

CRC — Cyclical Redundancy Check Byte

This byte is used by the receiver(s) of each message to determine if any errors have occurred during the transmission of the message. The BDLC calculates the CRC byte and appends it onto any messages transmitted onto the J1850 bus. It also performs CRC detection on any messages it receives from the J1850 bus.

CRC generation uses the divisor polynomial $X^8 + X^4 + X^3 + X^2 + 1$. The remainder polynomial initially is set to all ones. Each byte in the message after the start of frame (SOF) symbol is processed serially through the CRC generation circuitry. The one's complement of the remainder then becomes the 8-bit CRC byte, which is appended to the message after the data bytes in MSB-to-LSB order.

When receiving a message, the BDLC uses the same divisor polynomial. All data bytes, excluding the SOF and end of data symbols (EOD) but including the CRC byte, are used to check the CRC. If the message is error free, the remainder polynomial will equal $X^7 + X^6 + X^2 = \$C4$, regardless of the data contained in the message. If the calculated CRC does not equal $\$C4$, the BDLC will recognize this as a CRC error and set the CRC error flag in the BSVR.

EOD — End-of-Data Symbol

The EOD symbol is a long 200- μ s passive period on the J1850 bus used to signify to any recipients of a message that the transmission by the originator has completed. No flag is set upon reception of the EOD symbol.

IFR — In-Frame Response Bytes

The IFR section of the J1850 message format is optional. Users desiring further definition of in-frame response should review the *SAE J1850 — Class B Data Communications Network Interface* specification.

EOF — End-of-Frame Symbol

This symbol is a long 280- μ s passive period on the J1850 bus and is longer than an end-of-data (EOD) symbol, which signifies the end of a message. Since an EOF symbol is longer than a 200- μ s EOD

symbol, if no response is transmitted after an EOD symbol, it becomes an EOF, and the message is assumed to be completed. The EOF flag is set upon receiving the EOF symbol.

IFS — Inter-Frame Separation Symbol

The IFS symbol is a 20- μ s passive period on the J1850 bus which allows proper synchronization between nodes during continuous message transmission. The IFS symbol is transmitted by a node after the completion of the end-of-frame (EOF) period and, therefore, is seen as a 300- μ s passive period.

When the last byte of a message has been transmitted onto the J1850 bus and the EOF symbol time has expired, all nodes then must wait for the IFS symbol time to expire before transmitting a start-of-frame (SOF) symbol, marking the beginning of another message.

However, if the BDLC is waiting for the IFS period to expire before beginning a transmission and a rising edge is detected before the IFS time has expired, it will synchronize internally to that edge. If a write to the BDR register (for instance, to initiate transmission) occurred on or before $104 \cdot t_{\text{BDLC}}$ from the received rising edge, then the BDLC will transmit and arbitrate for the bus. If a CPU write to the BDR register occurred after $104 \cdot t_{\text{BDLC}}$ from the detection of the rising edge, then the BDLC will not transmit, but will wait for the next IFS period to expire before attempting to transmit the byte.

A rising edge may occur during the IFS period because of varying clock tolerances and loading of the J1850 bus, causing different nodes to observe the completion of the IFS period at different times. To allow for individual clock tolerances, receivers must synchronize to any SOF occurring during an IFS period.

BREAK — Break

The BDLC cannot transmit a BREAK symbol.

If the BDLC is transmitting at the time a BREAK is detected, it treats the BREAK as if a transmission error had occurred and halts transmission.

If the BDLC detects a BREAK symbol while receiving a message, it treats the BREAK as a reception error and sets the invalid symbol flag in the BSVR, also ignoring the frame it was receiving. If while

receiving a message in 4X mode, the BDLC detects a BREAK symbol, it treats the BREAK as a reception error, sets the invalid symbol flag, and exits 4X mode (for example, the RX4XE bit in BCR2 is cleared automatically). If bus control is required after the BREAK symbol is received and the IFS time has elapsed, the programmer must resend the transmission byte using highest priority.

NOTE: *The J1850 protocol BREAK symbol is not related to the HC08 break module (See [Section 11. Break Module \(Break\)](#).)*

IDLE — Idle Bus

An idle condition exists on the bus during any passive period after expiration of the IFS period (for instance, $\geq 300 \mu\text{s}$). Any node sensing an idle bus condition can begin transmission immediately.

20.5.3 J1850 VPW Symbols

Huntsinger's variable pulse width modulation (VPW) is an encoding technique in which each bit is defined by the time between successive transitions and by the level of the bus between transitions (for instance, active or passive). Active and passive bits are used alternately. This encoding technique is used to reduce the number of bus transitions for a given bit rate.

Each logic 1 or logic 0 contains a single transition and can be at either the active or passive level and one of two lengths, either $64 \mu\text{s}$ or $128 \mu\text{s}$ (t_{NOM} at 10.4 kbps baud rate), depending upon the encoding of the previous bit. The start-of-frame (SOF), end-of-data (EOD), end-of-frame (EOF), and inter-frame separation (IFS) symbols always will be encoded at an assigned level and length. See [Figure 20-6](#).

Each message will begin with an SOF symbol an active symbol and, therefore, each data byte (including the CRC byte) will begin with a passive bit, regardless of whether it is a logic 1 or a logic 0.

All VPW bit lengths stated in the following descriptions are typical values at a 10.4 kbps bit rate.

Logic 0

A logic 0 is defined as either:

- An active-to-passive transition followed by a passive period 64 μs in length, or
- A passive-to-active transition followed by an active period 128 μs in length

See [Figure 20-6\(a\)](#).

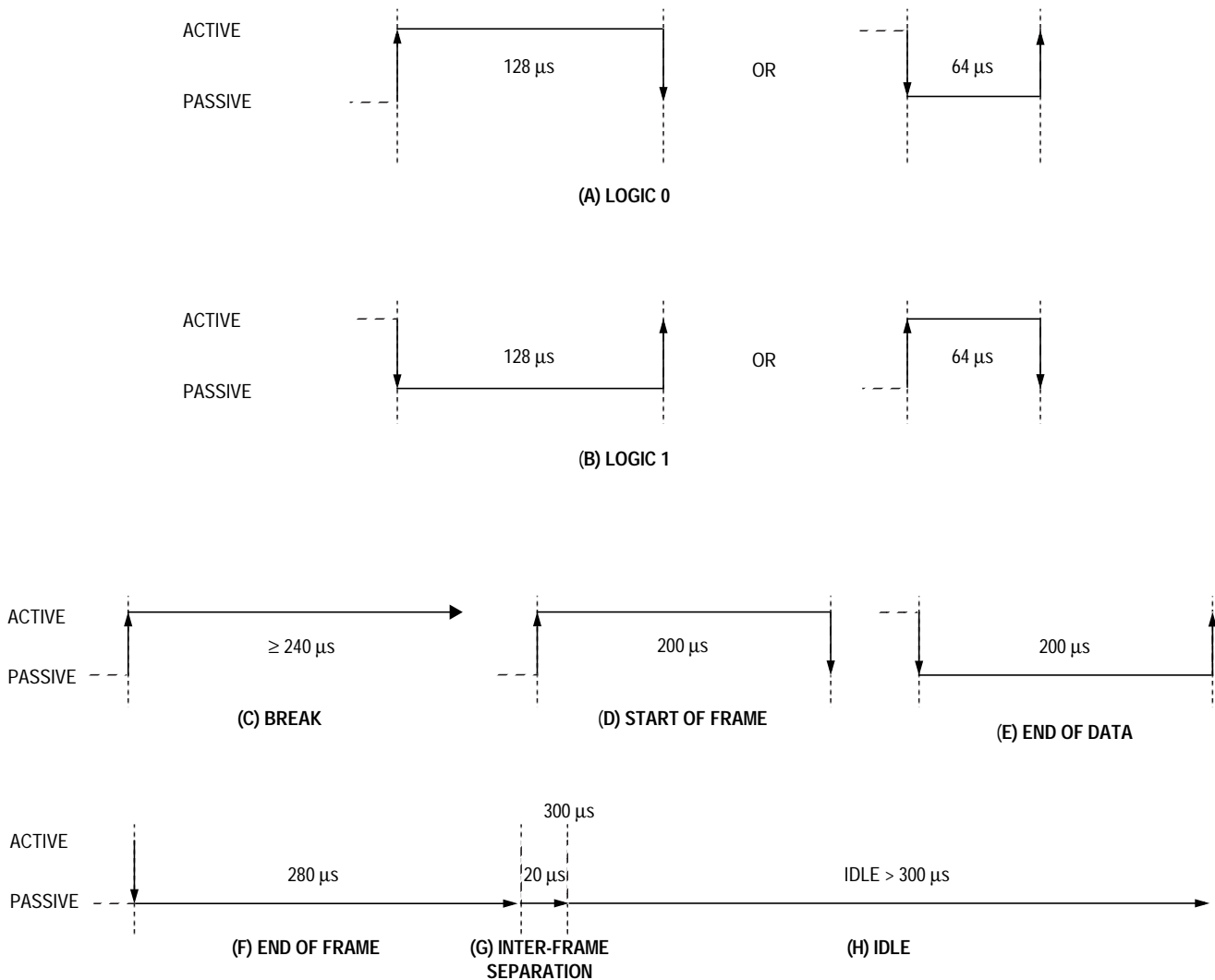


Figure 20-6. J1850 VPW Symbols with Nominal Symbol Times

Logic 1

A logic 1 is defined as either:

- An active-to-passive transition followed by a passive period 128 μs in length, or
- A passive-to-active transition followed by an active period 64 μs in length

See [Figure 20-6\(b\)](#).

Normalization Bit (NB)

The NB symbol has the same property as a logic 1 or a logic 0. It is only used in IFR message responses.

Break Signal (BREAK)

The BREAK signal is defined as a passive-to-active transition followed by an active period of at least 240 μs (see [Figure 20-6\(c\)](#)).

Start-of-Frame Symbol (SOF)

The SOF symbol is defined as passive-to-active transition followed by an active period 200 μs in length (see [Figure 20-6\(d\)](#)). This allows the data bytes which follow the SOF symbol to begin with a passive bit, regardless of whether it is a logic 1 or a logic 0.

End-of-Data Symbol (EOD)

The EOD symbol is defined as an active-to-passive transition followed by a passive period 200 μs in length (see [Figure 20-6\(e\)](#)).

End-of-Frame Symbol (EOF)

The EOF symbol is defined as an active-to-passive transition followed by a passive period 280 μs in length (see [Figure 20-6\(f\)](#)). If no IFR byte is transmitted after an EOD symbol is transmitted, after another 80 μs the EOD becomes an EOF, indicating completion of the message.

Inter-Frame Separation Symbol (IFS)

The IFS symbol is defined as a passive period 300 μs in length. The 20- μs IFS symbol contains no transition, since when used it always appends to an EOF symbol (see [Figure 20-6\(g\)](#)).

Idle

An idle is defined as a passive period greater than 300 μ s in length.

20.5.4 J1850 VPW Valid/Invalid Bits and Symbols

The timing tolerances for **receiving** data bits and symbols from the J1850 bus have been defined to allow for variations in oscillator frequencies. In many cases the maximum time allowed to define a data bit or symbol is equal to the minimum time allowed to define another data bit or symbol.

Since the minimum resolution of the BDLC for determining what symbol is being received is equal to a single period of the MUX interface clock (t_{BDLC}), an apparent separation in these maximum time/minimum time concurrences equal to one cycle of t_{BDLC} occurs.

This one clock resolution allows the BDLC to differentiate properly between the different bits and symbols. This is done without reducing the valid window for receiving bits and symbols from transmitters onto the J1850 bus which have varying oscillator frequencies.

In Huntsinger's' variable pulse width (VPW) modulation bit encoding, the tolerances for both the passive and active data bits received and the symbols received are defined with no gaps between definitions. For example, the maximum length of a passive logic 0 is equal to the minimum length of a passive logic 1, and the maximum length of an active logic 0 is equal to the minimum length of a valid SOF symbol.

Invalid Passive Bit

See [Figure 20-7\(1\)](#). If the passive-to-active received transition beginning the next data bit or symbol occurs between the active-to-passive transition beginning the current data bit (or symbol) and **a**, the current bit would be invalid.

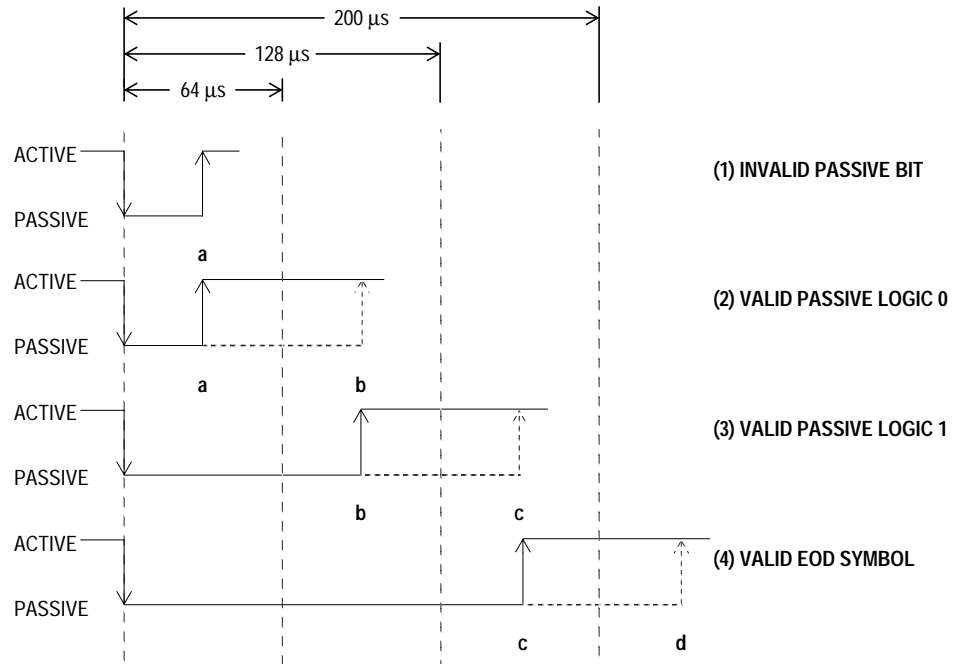


Figure 20-7. J1850 VPW Received Passive Symbol Times

Valid Passive Logic 0

See [Figure 20-7\(2\)](#). If the passive-to-active received transition beginning the next data bit (or symbol) occurs between **a** and **b**, the current bit would be considered a logic 0.

Valid Passive Logic 1

See [Figure 20-7\(3\)](#). If the passive-to-active received transition beginning the next data bit (or symbol) occurs between **b** and **c**, the current bit would be considered a logic 1.

Valid EOD Symbol

See [Figure 20-7\(4\)](#). If the passive-to-active received transition beginning the next data bit (or symbol) occurs between **c** and **d**, the current symbol would be considered a valid end-of-data symbol (EOD).

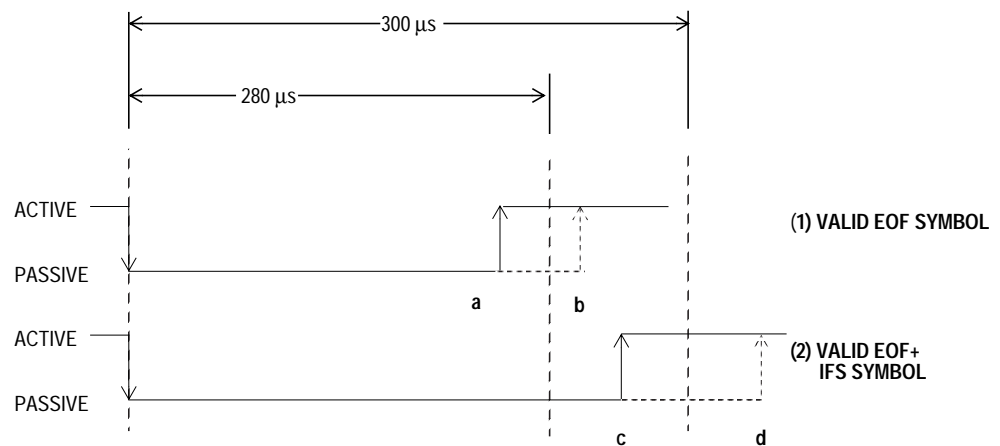


Figure 20-8. J1850 VPW Received Passive EOF and IFS Symbol Times

Valid EOF and IFS Symbol

In [Figure 20-8\(1\)](#), if the passive-to-active received transition beginning the SOF symbol of the next message occurs between **a** and **b**, the current symbol will be considered a valid end-of-frame (EOF) symbol.

See [Figure 20-8\(2\)](#). If the passive-to-active received transition beginning the SOF symbol of the next message occurs between **c** and **d**, the current symbol will be considered a valid EOF symbol followed by a valid inter-frame separation symbol (IFS). All nodes must wait until a valid IFS symbol time has expired before beginning transmission. However, due to variations in clock frequencies and bus loading, some nodes may recognize a valid IFS symbol before others and immediately begin transmitting. Therefore, any time a node waiting to transmit detects a passive-to-active transition once a valid EOF has been detected, it should immediately begin transmission, initiating the arbitration process.

Idle Bus

In [Figure 20-8\(2\)](#), if the passive-to-active received transition beginning the start-of-frame (SOF) symbol of the next message does not occur before **d**, the bus is considered to be idle, and any node wishing to transmit a message may do so immediately.

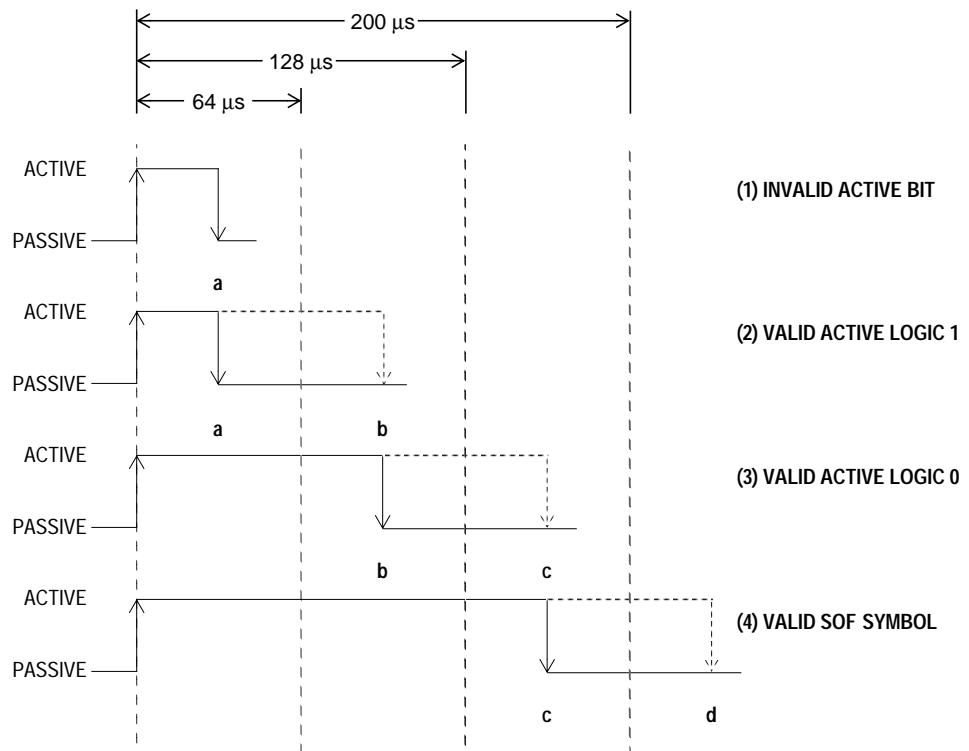


Figure 20-9. J1850 VPW Received Active Symbol Times

Invalid Active Bit

In [Figure 20-9\(1\)](#), if the active-to-passive received transition beginning the next data bit (or symbol) occurs between the passive-to-active transition beginning the current data bit (or symbol) and **a**, the current bit would be invalid.

Valid Active Logic 1

In [Figure 20-9\(2\)](#), if the active-to-passive received transition beginning the next data bit (or symbol) occurs between **a** and **b**, the current bit would be considered a logic 1.

Valid Active Logic 0

In [Figure 20-9\(3\)](#), if the active-to-passive received transition beginning the next data bit (or symbol) occurs between **b** and **c**, the current bit would be considered a logic 0.

Valid SOF Symbol

In [Figure 20-9\(4\)](#), if the active-to-passive received transition beginning the next data bit (or symbol) occurs between **c** and **d**, the current symbol would be considered a valid SOF symbol.

Valid BREAK Symbol

In [Figure 20-10](#), if the next active-to-passive received transition does not occur until after **e**, the current symbol will be considered a valid BREAK symbol. A BREAK symbol should be followed by a start-of-frame (SOF) symbol beginning the next message to be transmitted onto the J1850 bus. See [20.5.2 J1850 Frame Format](#) for BDLC response to BREAK symbols.

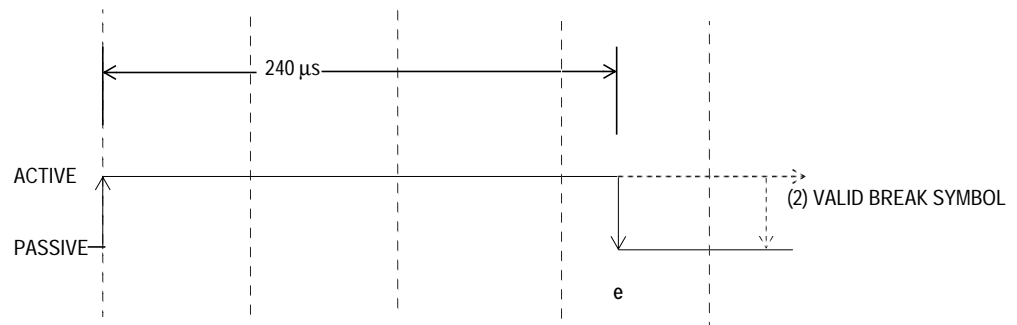


Figure 20-10. J1850 VPW Received BREAK Symbol Times

20.5.5 Message Arbitration

Message arbitration on the J1850 bus is accomplished in a non-destructive manner, allowing the message with the highest priority to be transmitted, while any transmitters which lose arbitration simply stop transmitting and wait for an idle bus to begin transmitting again.

If the BDLC wants to transmit onto the J1850 bus, but detects that another message is in progress, it waits until the bus is idle. However, if multiple nodes begin to transmit in the same synchronization window, message arbitration will occur beginning with the first bit after the SOF symbol and will continue with each bit thereafter.

The variable pulse width modulation (VPW) symbols and J1850 bus electrical characteristics are chosen carefully so that a logic 0 (active or passive type) will always dominate over a logic 1 (active or passive type) that is simultaneously transmitted. Hence, logic 0s are said to be dominant and logic 1s are said to be recessive.

Whenever a node detects a dominant bit on BDRxD when it transmitted a recessive bit, the node loses arbitration and immediately stops transmitting. This is known as bitwise arbitration.

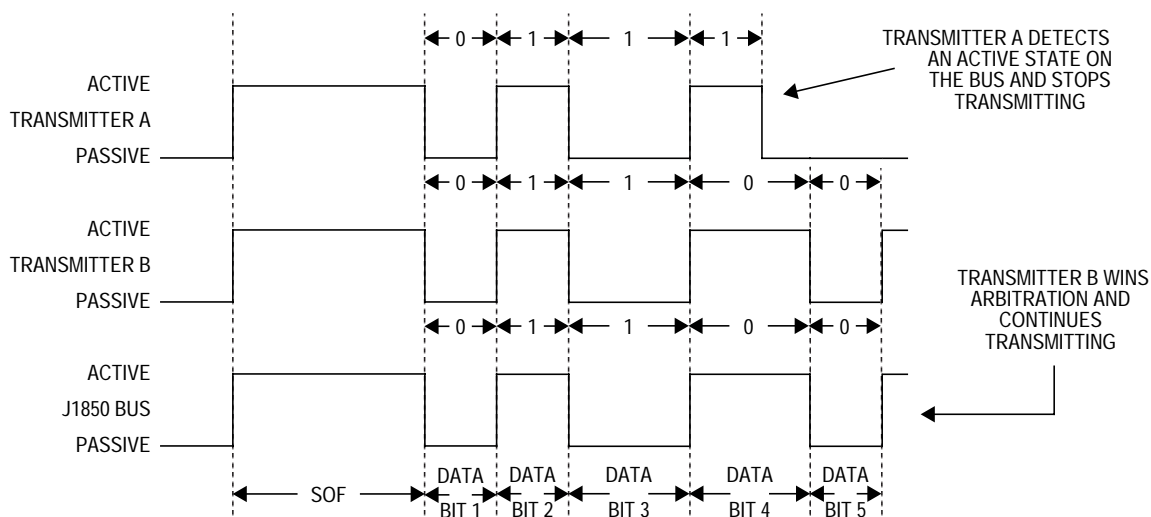


Figure 20-11. J1850 VPW Bitwise Arbitrations

Since a logic 0 dominates a logic 1, the message with the lowest value will have the highest priority and will always win arbitration. For instance, a message with priority 000 will win arbitration over a message with priority 011.

This method of arbitration will work no matter how many bits of priority encoding are contained in the message.

During arbitration, or even throughout the transmitting message, when an opposite bit is detected, transmission is stopped immediately unless it occurs on the 8th bit of a byte. In this case, the BDLC automatically will append up to two extra logic 1 bits and then stop transmitting. These two extra bits will be arbitrated normally and thus will not interfere with another message. The second logic 1 bit will not be sent if the first loses arbitration. If the BDLC has lost arbitration to another valid message, then the two extra logic 1s will not corrupt the current message. However, if the BDLC has lost arbitration due to noise on the bus, then the two extra logic 1s will ensure that the current message will be detected and ignored as a noise-corrupted message.

20.6 BDLC Protocol Handler

The protocol handler is responsible for framing, arbitration, CRC generation/checking, and error detection. The protocol handler conforms to *SAE J1850 — Class B Data Communications Network Interface*.

NOTE: *Motorola assumes that the reader is familiar with the J1850 specification before this protocol handler description is read.*

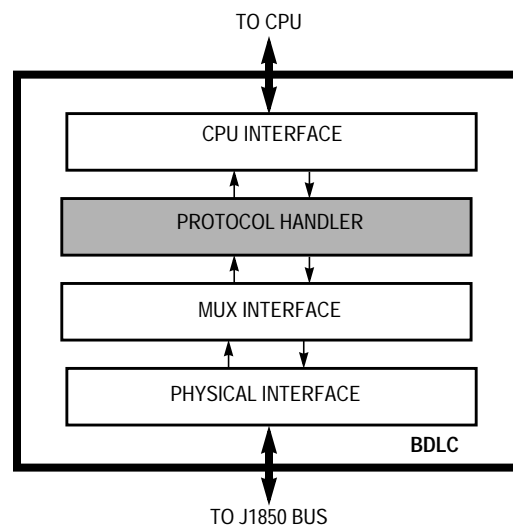


Figure 20-12. BDLC Block Diagram

20.6.1 Protocol Architecture

The protocol handler contains the state machine, Rx shadow register, Tx shadow register, Rx shift register, Tx shift register, and loopback multiplexer as shown in **Figure 20-13**.

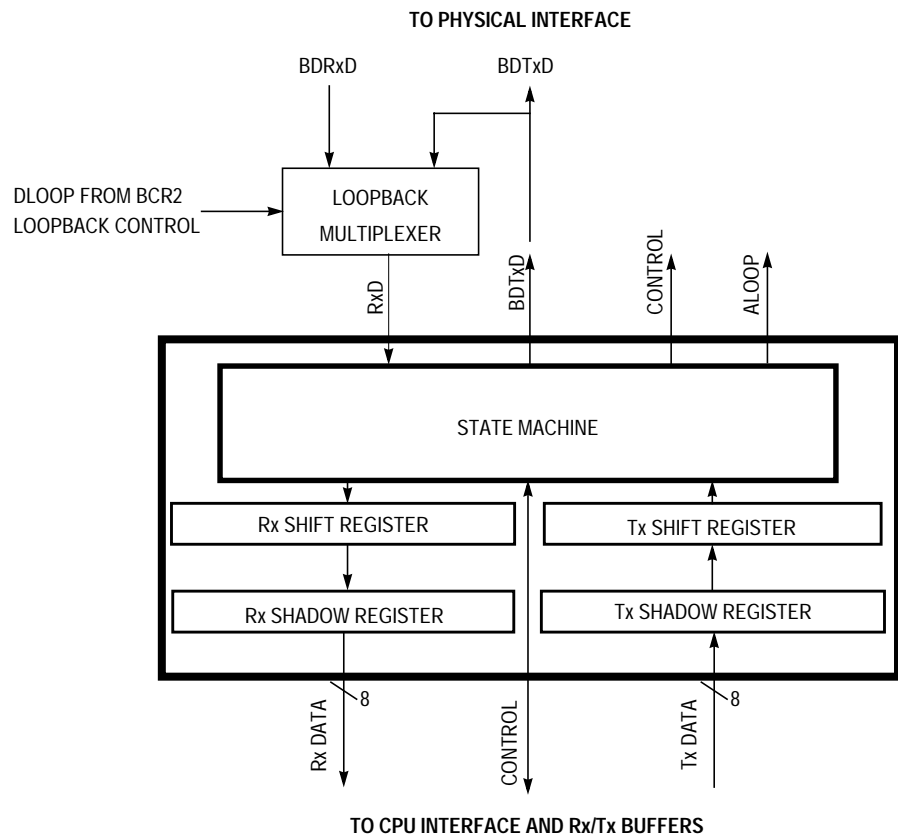


Figure 20-13. BDLC Protocol Handler Outline

20.6.2 Rx and Tx Shift Registers

The Rx shift register gathers received serial data bits from the J1850 bus and makes them available in parallel form to the Rx shadow register. The Tx shift register takes data, in parallel form, from the Tx shadow register and presents it serially to the state machine so that it can be transmitted onto the J1850 bus.

20.6.3 Rx and Tx Shadow Registers

Immediately after the Rx shift register has completed shifting in a byte of data, this data is transferred to the Rx shadow register and RDRF or RXIFR is set (see [20.7.4 BDLC State Vector Register](#)) and an interrupt is generated if the interrupt enable bit (IE) in BCR1 is set. After the transfer takes place, this new data byte in the Rx shadow register is available to the CPU interface, and the Rx shift register is ready to shift in the next byte of data. Data in the Rx shadow register must be retrieved by the CPU before it is overwritten by new data from the Rx shift register.

Once the Tx shift register has completed its shifting operation for the current byte, the data byte in the Tx shadow register is loaded into the Tx shift register. After this transfer takes place, the Tx shadow register is ready to accept new data from the CPU when TDRE flag in BSVR is set.

20.6.4 Digital Loopback Multiplexer

The digital loopback multiplexer connects RxD to either BDTxD or BDRxD, depending on the state of the DLOOP bit in the BCR2 register (See [20.7.3 BDLC Control Register 2](#)).

20.6.5 State Machine

All of the functions associated with performing the protocol are executed or controlled by the state machine. The state machine is responsible for framing, collision detection, arbitration, CRC generation/checking, and error detection. The following sections describe the BDLC's actions in a variety of situations.

20.6.5.1 4X Mode

The BDLC can exist on the same J1850 bus as modules which use a special 4X (41.6 kbps) mode of J1850 variable pulse width modulation (VPW) operation. The BDLC cannot transmit in 4X mode, but can receive messages in 4X mode, if the RX4X bit is set in BCR2 register. If the RX4X bit is not set in the BCR2 register, any 4X message on the J1850 bus is treated as noise by the BDLC and is ignored.

20.6.5.2 Receiving a Message in Block Mode

Although not a part of the SAE J1850 protocol, the BDLC does allow for a special block mode of operation of the receiver. As far as the BDLC is concerned, a block mode message is simply a long J1850 frame that contains an indefinite number of data bytes. All of the other features of the frame remain the same, including the SOF, CRC, and EOD symbols.

Another node wishing to send a block mode transmission must first inform all other nodes on the network that this is about to happen. This is usually accomplished by sending a special predefined message.

20.6.5.3 Transmitting a Message in Block Mode

A block mode message is transmitted inherently by simply loading the bytes one by one into the BDR register until the message is complete. The programmer should wait until the TDRE flag (see [20.7.4 BDLC State Vector Register](#)) is set prior to writing a new byte of data into the BDR register. The BDLC does not contain any predefined maximum J1850 message length requirement.

20.6.5.4 J1850 Bus Errors

The BDLC detects several types of transmit and receive errors which can occur during the transmission of a message onto the J1850 bus.

Transmission Error

If the message transmitted by the BDLC contains invalid bits or framing symbols on non-byte boundaries, this constitutes a transmission error. When a transmission error is detected, the BDLC immediately will cease transmitting. The error condition (\$1C) is reflected in the BSVR register (see [Table 20-6](#)). If the interrupt enable bit (IE in BCR1) is set, a CPU interrupt request from the BDLC is generated.

CRC Error

A cyclical redundancy check (CRC) error is detected when the data bytes and CRC byte of a received message are processed and the CRC calculation result is not equal to \$C4. The CRC code will detect any single and 2-bit errors, as well as all 8-bit burst errors and almost all other types of errors. The CRC error flag (\$18 in BSVR) is set when a CRC error is detected. (See [20.7.4 BDLC State Vector Register](#).)

Symbol Error

A symbol error is detected when an abnormal (invalid) symbol is detected in a message being received from the J1850 bus. However, if the BDLC is transmitting when this happens, it will be treated as a loss of arbitration (\$14 in BSVR) rather than a transmitter error. The (\$1C) symbol invalid or the out-of-range flag is set when a symbol error is detected. Therefore, (\$1C) symbol invalid flag is stacked behind the (\$14) LOA flag during a transmission error process. (See [20.7.4 BDLC State Vector Register](#).)

Framing Error

A framing error is detected if an EOD or EOF symbol is detected on a non-byte boundary from the J1850 bus. A framing error also is detected if the BDLC is transmitting the EOD and instead receives an active symbol. The (\$1C) symbol invalid or the out-of-range flag is set when a framing error is detected. (See [20.7.4 BDLC State Vector Register](#).)

Bus Fault

If a bus fault occurs, the response of the BDLC will depend upon the type of bus fault.

If the bus is shorted to battery, the BDLC will wait for the bus to fall to a passive state before it will attempt to transmit a message. As long as the short remains, the BDLC will never attempt to transmit a message onto the J1850 bus.

If the bus is shorted to ground, the BDLC will see an idle bus, begin to transmit the message, and then detect a transmission error (\$1C in BSVR), since the short to ground would not allow the bus to be driven to the active (dominant) SOF state. The BDLC will abort that transmission and wait for the next CPU command to transmit.

In any case, if the bus fault is temporary, as soon as the fault is cleared, the BDLC will resume normal operation. If the bus fault is permanent, it may result in permanent loss of communication on the J1850 bus. (See [20.7.4 BDLC State Vector Register](#).)

BREAK — Break

If a BREAK symbol is received while the BDLC is transmitting or receiving, an invalid symbol (\$1C in BSVR) interrupt will be generated. Reading the BSVR register (see [20.7.4 BDLC State Vector Register](#)) will clear this interrupt condition. The BDLC will wait for the bus to idle, then wait for a start-of-frame (SOF) symbol.

The BDLC cannot transmit a BREAK symbol. It can only receive a BREAK symbol from the J1850 bus.

20.6.5.5 Summary

Table 20-2. BDLC J1850 Bus Error Summary

Error Condition	BDLC Function
Transmission Error	For invalid bits or framing symbols on non-byte boundaries, invalid symbol interrupt will be generated. BDLC stops transmission.
Cyclical Redundancy Check (CRC) Error	CRC error interrupt will be generated. The BDLC will wait for SOF.
Invalid Symbol: BDLC Receives Invalid Bits (Noise)	The BDLC will abort transmission immediately. Invalid symbol interrupt will be generated.
Framing Error	Invalid symbol interrupt will be generated. The BDLC will wait for start-of-frame (SOF).
Bus Short to V_{DD}	The BDLC will not transmit until the bus is idle.
Bus Short to GND	Thermal overload will shut down physical interface. Fault condition is reflected in BSVR as an invalid symbol.
BDLC Receives BREAK Symbol.	The BDLC will wait for the next valid SOF. Invalid symbol interrupt will be generated.

20.7 BDLC CPU Interface

The CPU interface provides the interface between the CPU and the BDLC and consists of five user registers.

- BDLC analog and roundtrip delay register (BARD)
- BDLC control register 1 (BCR1)
- BDLC control register 2 (BCR2)
- BDLC state vector register (BSVR)
- BDLC data register (BDR)

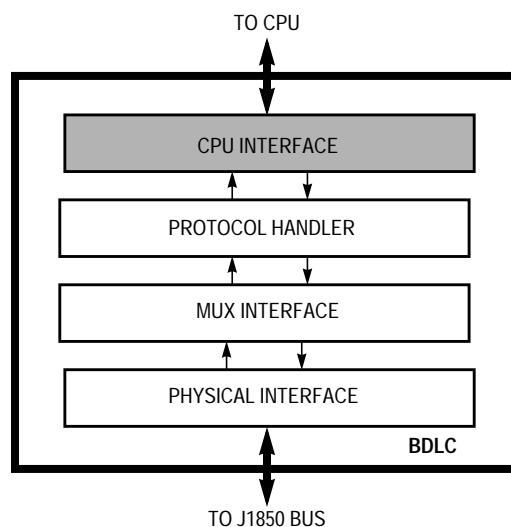


Figure 20-14. BDLC Block Diagram

20.7.1 BDLC Analog and Roundtrip Delay Register

This register programs the BDLC to compensate for various delays of different external transceivers. The default delay value is 16 μ s. Timing adjustments from 9 μ s to 24 μ s in steps of 1 μ s are available. The BARD register can be written only once after each reset, after which they become read-only bits. The register may be read at any time.

Address: \$003B

	Bit 7	6	5	4	3	2	1	Bit 0
Read:	ATE	RXPOL	0	0	B03	B02	B01	B00
Write:			R	R				
Reset:	1	1	0	0	0	1	1	1

R = Reserved

Figure 20-15. BDLC Analog and Roundtrip Delay Register (BARD)

ATE — Analog Transceiver Enable Bit

The analog transceiver enable (ATE) bit is used to select either the on-board or an off-chip analog transceiver.

- 1 = Select on-board analog transceiver
- 0 = Select off-chip analog transceiver

NOTE: *This device does not contain an on-board transceiver. This bit should be programmed to a logic 0 for proper operation.*

RXPOL — Receive Pin Polarity Bit

The receive pin polarity (RXPOL) bit is used to select the polarity of an incoming signal on the receive pin. Some external analog transceivers invert the receive signal from the J1850 bus before feeding it back to the digital receive pin.

- 1 = Select normal/true polarity; true non-inverted signal from the J1850 bus; for example, the external transceiver does not invert the receive signal
- 0 = Select inverted polarity, where an external transceiver inverts the receive signal from the J1850 bus

B03–B00 — BARD Offset Bits

Table 20-3 shows the expected transceiver delay with respect to BARD offset values.

Table 20-3. BDLC Transceiver Delay

BARD Offset Bits B0[3:0]	Corresponding Expected Transceiver's Delays (μ s)
0000	9
0001	10
0010	11
0011	12
0100	13
0101	14
0110	15
0111	16
1000	17
1001	18
1010	19
1011	20
1100	21
1101	22
1110	23
1111	24

20.7.2 BDLC Control Register 1

This register is used to configure and control the BDLC.

Address: \$003C

	Bit 7	6	5	4	3	2	1	Bit 0
Read:	IMSG	CLKS	R1	R0	0	0	IE	WCM
Write:					R	R		
Reset:	1	1	1	0	0	0	0	0

R = Reserved

Figure 20-16. BDLC Control Register 1 (BCR1)

IMSG — Ignore Message Bit

This bit is used to disable the receiver until a new start-of-frame (SOF) is detected.

1 = Disable receiver. When set, all BDLC interrupt requests will be masked and the status bits will be held in their reset state. If this bit is set while the BDLC is receiving a message, the rest of the incoming message will be ignored.

0 = Enable receiver. This bit is cleared automatically by the reception of an SOF symbol or a BREAK symbol. It will then generate interrupt requests and will allow changes of the status register to occur. However, these interrupts may still be masked by the interrupt enable (IE) bit.

CLKS — Clock Bit

The nominal BDLC operating frequency (f_{BDLC}) must always be 1.048576 MHz or 1 MHz for J1850 bus communications to take place. The CLKS register bit allows the user to select the frequency (1.048576 MHz or 1 MHz) used to adjust symbol timing automatically.

1 = Binary frequency (1.048576 MHz) selected for f_{BDLC}

0 = Integer frequency (1 MHz) selected for f_{BDLC}

R1 and R0 — Rate Select Bits

These bits determine the amount by which the frequency of the MCU CGMXCLK signal is divided to form the MUX interface clock (f_{BDLC}) which defines the basic timing resolution of the MUX interface. They may be written only once after reset, after which they become read-only bits.

The nominal frequency of f_{BDLC} must always be 1.048576 MHz or 1.0 MHz for J1850 bus communications to take place. Hence, the value programmed into these bits is dependent on the chosen MCU system clock frequency per [Table 20-4](#).

Table 20-4. BDLC Rate Selection

f_{XCLK} Frequency	R1	R0	Division	f_{BDLC}
1.049 MHz	0	0	1	1.049 MHz
2.097 MHz	0	1	2	1.049 MHz
4.194 MHz	1	0	4	1.049 MHz
8.389 MHz	1	1	8	1.049 MHz
1.000 MHz	0	0	1	1.00 MHz
2.000 MHz	0	1	2	1.00 MHz
4.000 MHz	1	0	4	1.00 MHz
8.000 MHz	1	1	8	1.00 MHz

IE— Interrupt Enable Bit

This bit determines whether the BDLC will generate CPU interrupt requests in run mode. It does not affect CPU interrupt requests when exiting the BDLC stop or BDLC wait modes. Interrupt requests will be maintained until all of the interrupt request sources are cleared by performing the specified actions upon the BDLC's registers. Interrupts that were pending at the time that this bit is cleared may be lost.

1 = Enable interrupt requests from BDLC

0 = Disable interrupt requests from BDLC

If the programmer does not wish to use the interrupt capability of the BDLC, the BDLC state vector register (BSVR) can be polled periodically by the programmer to determine BDLC states. See [20.7.4 BDLC State Vector Register](#) for a description of the BSVR.

WCM — Wait Clock Mode Bit

This bit determines the operation of the BDLC during CPU wait mode. See [20.8.2 Stop Mode](#) and [20.8.1 Wait Mode](#) for more details on its use.

1 = Stop BDLC internal clocks during CPU wait mode

0 = Run BDLC internal clocks during CPU wait mode

20.7.3 BDLC Control Register 2

This register controls transmitter operations of the BDLC. It is recommended that BSET and BCLR instructions be used to manipulate data in this register to ensure that the register's content does not change inadvertently.

Address: \$003D

	Bit 7	6	5	4	3	2	1	Bit 0
Read:	ALOOP	DLOOP	RX4XE	NBFS	TEOD	TSIFR	TMIFR1	TMIFR0
Write:								
Reset:	1	1	0	0	0	0	0	0

Figure 20-17. BDLC Control Register 2 (BCR2)

ALOOP — Analog Loopback Mode Bit

This bit determines whether the J1850 bus will be driven by the analog physical interface's final drive stage. The programmer can use this bit to reset the BDLC state machine to a known state after the off-chip analog transceiver is placed in loopback mode. When the user clears ALOOP, to indicate that the off-chip analog transceiver is no longer in loopback mode, the BDLC waits for an EOF symbol before attempting to transmit.

1 = Input to the analog physical interface's final drive stage is looped back to the BDLC receiver. The J1850 bus is not driven.

0 = The J1850 bus will be driven by the BDLC. After the bit is cleared, the BDLC requires the bus to be idle for a minimum of end-of-frame symbol time (t_{TRV4}) before message reception or a minimum of inter-frame symbol time (t_{TRV6}) before message transmission. (See [21.16 BDLC Receiver VPW Symbol Timings](#).)

DLOOP — Digital Loopback Mode Bit

This bit determines the source to which the digital receive input (BDRxD) is connected and can be used to isolate bus fault conditions (see [Figure 20-13](#)). If a fault condition has been detected on the bus, this control bit allows the programmer to connect the digital transmit output to the digital receive input. In this configuration, data sent from the transmit buffer will be reflected back into the receive buffer. If no faults exist in the BDLC, the fault is in the physical interface block or elsewhere on the J1850 bus.

1 = When set, BDRxD is connected to BDTxD. The BDLC is now in digital loopback mode.

0 = When cleared, BDTxD is not connected to BDRxD. The BDLC is taken out of digital loopback mode and can now drive the J1850 bus normally.

RX4XE — Receive 4X Enable Bit

This bit determines if the BDLC operates at normal transmit and receive speed (10.4 kbps) or receive only at 41.6 kbps. This feature is useful for fast download of data into a J1850 node for diagnostic or factory programming of the node.

1 = When set, the BDLC is put in 4X receive-only operation.

0 = When cleared, the BDLC transmits and receives at 10.4 kbps.

NBFS — Normalization Bit Format Select Bit

This bit controls the format of the normalization bit (NB). (See [Figure 20-18](#).) SAE J1850 strongly encourages using an active long (logic 0) for in-frame responses containing cyclical redundancy check (CRC) and an active short (logic 1) for in-frame responses without CRC.

1 = NB that is received or transmitted is a 0 when the response part of an in-frame response (IFR) ends with a CRC byte. NB that is received or transmitted is a 1 when the response part of an in-frame response (IFR) does not end with a CRC byte.

0 = NB that is received or transmitted is a 1 when the response part of an in-frame response (IFR) ends with a CRC byte. NB that is received or transmitted is a 0 when the response part of an in-frame response (IFR) does not end with a CRC byte.

TEOD — Transmit End of Data Bit

This bit is set by the programmer to indicate the end of a message is being sent by the BDLC. It will append an 8-bit CRC after completing transmission of the current byte. This bit also is used to end an in-frame response (IFR). If the transmit shadow register is full when TEOD is set, the CRC byte will be transmitted after the current byte in the Tx shift register and the byte in the Tx shadow register have been transmitted. (See [20.6.3 Rx and Tx Shadow Registers](#) for a description of the transmit shadow register.) Once TEOD is set, the transmit data register empty flag (TDRE) in the BDLC state vector register (BSVR) is cleared to allow lower priority interrupts to occur. (See [20.7.4 BDLC State Vector Register](#).)

1 = Transmit end-of-data (EOD) symbol

0 = The TEOD bit will be cleared automatically at the rising edge of the first CRC bit that is sent or if an error is detected. When TEOD is used to end an IFR transmission, TEOD is cleared when the BDLC receives back a valid EOD symbol or an error condition occurs.

TSIFR, TMIFR1, and TMIFR0 — Transmit In-Frame Response Control Bits

These three bits control the type of in-frame response being sent. The programmer should not set more than one of these control bits to a 1 at any given time. However, if more than one of these three control bits are set to 1, the priority encoding logic will force these register bits to a known value as shown in [Table 20-5](#). For example, if 011 is written to TSIFR, TMIFR1, and TMIFR0, then internally they will be encoded as 010. However, when these bits are read back, they will read 011.

Table 20-5. BDLC Transmit In-Frame Response Control Bit Priority Encoding

Write/Read TSIFR	Write/Read TMIFR1	Write/Read TMIFR0	Actual TSIFR	Actual TMIFR1	Actual TMIFR0
0	0	0	0	0	0
1	X	X	1	0	0
0	1	X	0	1	0
0	0	1	0	0	1

Byte Data Link Controller-Digital (BDLC-D)

The BDLC supports the in-frame response (IFR) feature of J1850 by setting these bits correctly. The four types of J1850 IFR are shown below. The purpose of the in-frame response modes is to allow multiple nodes to acknowledge receipt of the data by responding with their personal ID or physical address in a concatenated manner after they have seen the EOD symbol. If transmission arbitration is lost by a node while sending its response, it continues to transmit its ID/address until observing its unique byte in the response stream. For VPW modulation, because the first bit of the IFR is always passive, a normalization bit (active) must be generated by the responder and sent prior to its ID/address byte. When there are multiple responders on the J1850 bus, only one normalization bit is sent which assists all other transmitting nodes to sync up their response.

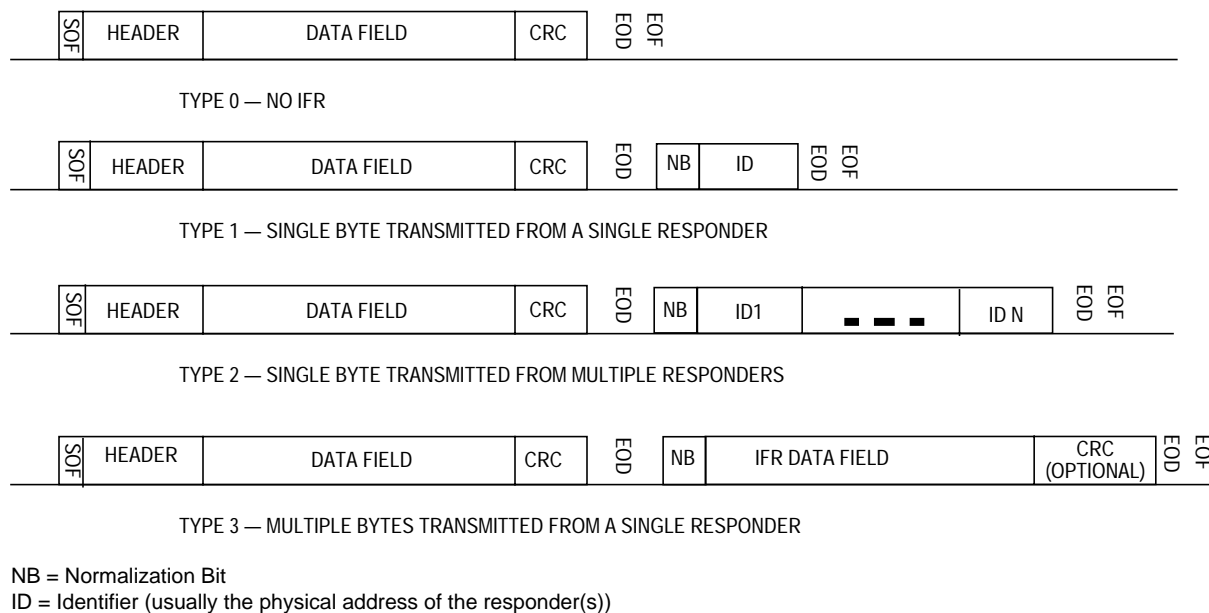


Figure 20-18. Types of In-Frame Response (IFR)

TSIFR — Transmit Single Byte IFR with No CRC (Type 1 or 2) Bit

The TSIFR bit is used to request the BDLC to transmit the byte in the BDLC data register (BDR, \$003F) as a single byte IFR with no CRC. Typically, the byte transmitted is a unique identifier or address of the transmitting (responding) node. See [Figure 20-18](#).

1 = If this bit is set prior to a valid EOD being received with no CRC error, once the EOD symbol has been received the BDLC will attempt to transmit the appropriate normalization bit followed by the byte in the BDR.

0 = The TSIFR bit will be cleared automatically, once the BDLC has successfully transmitted the byte in the BDR onto the bus, or TEOD is set, or an error is detected on the bus.

If the programmer attempts to set the TSIFR bit immediately after the EOD symbol has been received from the bus, the TSIFR bit will remain in the reset state and no attempt will be made to transmit the IFR byte.

If a loss of arbitration occurs when the BDLC attempts to transmit and after the IFR byte winning arbitration completes transmission, the BDLC will again attempt to transmit the BDR (with no normalization bit). The BDLC will continue transmission attempts until an error is detected on the bus, or TEOD is set, or the BDLC transmission is successful.

If loss or arbitration occurs in the last two bits of the IFR byte, two additional 1 bits **will not** be sent out because the BDLC will attempt to retransmit the byte in the transmit shift register after the IRF byte winning arbitration completes transmission.

TMIFR1 — Transmit Multiple Byte IFR with CRC (Type 3) Bit

The TMIFR1 bit requests the BDLC to transmit the byte in the BDLC data register (BDR) as the first byte of a multiple byte IFR with CRC or as a single byte IFR with CRC. Response IFR bytes are still subject to J1850 message length maximums (see [20.5.2 J1850 Frame Format](#) and [Figure 20-18](#)).

If this bit is set prior to a valid EOD being received with no CRC error, once the EOD symbol has been received the BDLC will attempt to transmit the appropriate normalization bit followed by IFR bytes. The

programmer should set TEOD after the last IFR byte has been written into the BDR register. After TEOD has been set and the last IFR byte has been transmitted, the CRC byte is transmitted.

0 = The TMIFR1 bit will be cleared automatically – once the BDLC has successfully transmitted the CRC byte and EOD symbol – by the detection of an error on the multiplex bus or by a transmitter underrun caused when the programmer does not write another byte to the BDR after the TDRE interrupt.

If the TMIFR1 bit is set, the BDLC will attempt to transmit the normalization symbol followed by the byte in the BDR. After the byte in the BDR has been loaded into the transmit shift register, a TDRE interrupt (see [20.7.4 BDLC State Vector Register](#)) will occur similar to the main message transmit sequence. The programmer should then load the next byte of the IFR into the BDR for transmission. When the last byte of the IFR has been loaded into the BDR, the programmer should set the TEOD bit in the BDLC control register 2 (BCR2). This will instruct the BDLC to transmit a CRC byte once the byte in the BDR is transmitted and then transmit an EOD symbol, indicating the end of the IFR portion of the message frame.

However, if the programmer wishes to transmit a single byte followed by a CRC byte, the programmer should load the byte into the BDR before the EOD symbol has been received, and then set the TMIFR1 bit. Once the TDRE interrupt occurs, the programmer should then set the TEOD bit in the BCR2. This will result in the byte in the BDR being the only byte transmitted before the IFR CRC byte, and no TDRE interrupt will be generated.

If the programmer attempts to set the TMIFR1 bit immediately after the EOD symbol has been received from the bus, the TMIFR1 bit will remain in the reset state, and no attempt will be made to transmit an IFR byte.

If a loss of arbitration occurs when the BDLC is transmitting any byte of a multiple byte IFR, the BDLC will go to the loss of arbitration state, set the appropriate flag, and cease transmission.

If the BDLC loses arbitration during the IFR, the TMIFR1 bit will be cleared and no attempt will be made to retransmit the byte in the BDR. If loss of arbitration occurs in the last two bits of the IFR byte, two additional 1 bits will be sent out.

NOTE: *The extra logic 1s are an enhancement to the J1850 protocol which forces a byte boundary condition fault. This is helpful in preventing noise from going onto the J1850 bus from a corrupted message.*

TMIFR0 — Transmit Multiple Byte IFR without CRC (Type 3) Bit

The TMIFR0 bit is used to request the BDLC to transmit the byte in the BDLC data register (BDR) as the first byte of a multiple byte IFR without CRC. Response IFR bytes are still subject to J1850 message length maximums (see [20.5.2 J1850 Frame Format](#) and [Figure 20-18](#)).

1 = If this bit is set prior to a valid EOD being received with no CRC error, once the EOD symbol has been received the BDLC will attempt to transmit the appropriate normalization bit followed by IFR bytes. The programmer should set TEOD after the last IFR byte has been written into the BDR register. After TEOD has been set, the last IFR byte to be transmitted will be the last byte which was written into the BDR register.

0 = The TMIFR0 bit will be cleared automatically; once the BDLC has successfully transmitted the EOD symbol; by the detection of an error on the multiplex bus; or by a transmitter underrun caused when the programmer does not write another byte to the BDR after the TDRE interrupt.

If the TMIFR0 bit is set, the BDLC will attempt to transmit the normalization symbol followed by the byte in the BDR. After the byte in the BDR has been loaded into the transmit shift register, a TDRE interrupt (see [20.7.4 BDLC State Vector Register](#)) will occur similar to the main message transmit sequence. The programmer should then load the next byte of the IFR into the BDR for transmission. When the last byte of the IFR has been loaded into the BDR, the programmer should set the TEOD bit in the BCR2. This will instruct the BDLC to transmit an EOD symbol once the byte in the BDR is transmitted, indicating the end of the IFR portion of the message frame. The BDLC will not append a CRC when the TMIFR0 is set.

If the programmer attempts to set the TMIFR0 bit after the EOD symbol has been received from the bus, the TMIFR0 bit will remain in the reset state, and no attempt will be made to transmit an IFR byte.

If a loss of arbitration occurs when the BDLC is transmitting, the TMIFR0 bit will be cleared and no attempt will be made to retransmit the byte in the BDR. If loss of arbitration occurs in the last two bits of the IFR byte, two additional 1 bits (active short bits) will be sent out.

NOTE: *The extra logic 1s are an enhancement to the J1850 protocol which forces a byte boundary condition fault. This is helpful in preventing noise from going onto the J1850 bus from a corrupted message.*

20.7.4 BDLC State Vector Register

This register is provided to substantially decrease the CPU overhead associated with servicing interrupts while under operation of a multiplex protocol. It provides an index offset that is directly related to the BDLC's current state, which can be used with a user-supplied jump table to rapidly enter an interrupt service routine. This eliminates the need for the user to maintain a duplicate state machine in software.

Address: \$003E

	Bit 7	6	5	4	3	2	1	Bit 0
Read:	0	0	I3	I2	I1	I0	0	0
Write:	R	R	R	R	R	R	R	R
Reset:	0	0	0	0	0	0	0	0

R = Reserved

Figure 20-19. BDLC State Vector Register (BSVR)

I0, I1, I2, and I3 — Interrupt Source Bits

These bits indicate the source of the interrupt request that currently is pending. The encoding of these bits are listed in [Table 20-6](#).

Table 20-6. BDLC Interrupt Sources

BSVR	I3	I2	I1	I0	Interrupt Source	Priority
\$00	0	0	0	0	No Interrupts Pending	0 (Lowest)
\$04	0	0	0	1	Received EOF	1
\$08	0	0	1	0	Received IFR Byte (RXIFR)	2
\$0C	0	0	1	1	BDLC Rx Data Register Full (RDRF)	3
\$10	0	1	0	0	BDLC Tx Data Register Empty (TDRE)	4
\$14	0	1	0	1	Loss of Arbitration	5
\$18	0	1	1	0	Cyclical Redundancy Check (CRC) Error	6
\$1C	0	1	1	1	Symbol Invalid or Out of Range	7
\$20	1	0	0	0	Wakeup	8 (Highest)

Bits I0, I1, I2, and I3 are cleared by a read of the BSVR except when the BDLC data register needs servicing (RDRF, RXIFR, or TDRE conditions). RXIFR and RDRF can be cleared only by a read of the BSVR followed by a read of the BDLC data register (BDR). TDRE can either be cleared by a read of the BSVR followed by a write to the BDLC BDR or by setting the TEOD bit in BCR2.

Upon receiving a BDLC interrupt, the user can read the value within the BSVR, transferring it to the CPU's index register. The value can then be used to index into a jump table, with entries four bytes apart, to quickly enter the appropriate service routine. For example:

```

Service      LDX   BSVR      Fetch State Vector Number
              JMP   JMPTAB,X  Enter service routine,
*              (must end in RTI)
*
JMPTAB       JMP   SERVE0   Service condition #0
              NOP
              JMP   SERVE1   Service condition #1
              NOP
              JMP   SERVE2   Service condition #2
              NOP
*
              JMP   SERVE8   Service condition #8
              END

```

NOTE: *The NOPs are used only to align the JMPs onto 4-byte boundaries so that the value in the BSVR can be used intact. Each of the service routines must end with an RTI instruction to guarantee correct continued operation of the device. Note also that the first entry can be omitted since it corresponds to no interrupt occurring.*

The service routines should clear all of the sources that are causing the pending interrupts. Note that the clearing of a high priority interrupt may still leave a lower priority interrupt pending, in which case bits I0, I1, and I2 of the BSVR will then reflect the source of the remaining interrupt request.

If fewer states are used or if a different software approach is taken, the jump table can be made smaller or omitted altogether.

20.7.5 BDLC Data Register



Figure 20-20. BDLC Data Register (BDR)

This register is used to pass the data to be transmitted to the J1850 bus from the CPU to the BDLC. It is also used to pass data received from the J1850 bus to the CPU. Each data byte (after the first one) should be written only after a Tx data register empty (TDRE) state is indicated in the BSVR.

Data read from this register will be the last data byte received from the J1850 bus. This received data should only be read after an Rx data register full (RDRF) interrupt has occurred. (See [20.7.4 BDLC State Vector Register](#).)

The BDR is double buffered via a transmit shadow register and a receive shadow register. After the byte in the transmit shift register has been transmitted, the byte currently stored in the transmit shadow register is loaded into the transmit shift register. Once the transmit shift register has shifted the first bit out, the TDRE flag is set, and the shadow register is ready to accept the next data byte. The receive shadow register works similarly. Once a complete byte has been received, the receive shift register stores the newly received byte into the receive shadow register. The RDRF flag is set to indicate that a new byte of data has been received. The programmer has one BDLC byte reception time to read the shadow register and clear the RDRF flag before the shadow register is overwritten by the newly received byte.

To abort an in-progress transmission, the programmer should stop loading data into the BDR. This will cause a transmitter underrun error and the BDLC automatically will disable the transmitter on the next non-byte boundary. This means that the earliest a transmission can be halted is after at least one byte plus two extra logic 1s have been transmitted. The receiver will pick this up as an error and relay it in the state vector register as an invalid symbol error.

NOTE: *The extra logic 1s are an enhancement to the J1850 protocol which forces a byte boundary condition fault. This is helpful in preventing noise from going onto the J1850 bus from a corrupted message.*

20.8 Low-Power Modes

The following information concerns wait mode and stop mode.

20.8.1 Wait Mode

This power-conserving mode is entered automatically from run mode whenever the CPU executes a WAIT instruction and the WCM bit in BDLC control register 1 (BCR1) is previously clear. In BDLC wait mode, the BDLC cannot drive any data.

A subsequent successfully received message, including one that is in progress at the time that this mode is entered, will cause the BDLC to wake up and generate a CPU interrupt request if the interrupt enable (IE) bit in the BDLC control register 1 (BCR1) is previously set. (See [20.7.2 BDLC Control Register 1](#) for a better understanding of IE.) This results in less of a power saving, but the BDLC is guaranteed to receive correctly the message which woke it up, since the BDLC internal operating clocks are kept running.

NOTE: *Ensuring that all transmissions are complete or aborted before putting the BDLC into wait mode is important.*

20.8.2 Stop Mode

This power-conserving mode is entered automatically from run mode whenever the CPU executes a STOP instruction or if the CPU executes a WAIT instruction and the WCM bit in the BDLC control register 1 (BCR1) is previously set. This is the lowest power mode that the BDLC can enter.

A subsequent passive-to-active transition on the J1850 bus will cause the BDLC to wake up and generate a non-maskable CPU interrupt request. When a STOP instruction is used to put the BDLC in stop mode, the BDLC is not guaranteed to correctly receive the message which woke it up, since it may take some time for the BDLC internal operating clocks to restart and stabilize. If a WAIT instruction is used to put the BDLC in stop mode, the BDLC is guaranteed to correctly receive the byte which woke it up, if and only if an end-of-frame (EOF) has been

detected prior to issuing the WAIT instruction by the CPU. Otherwise, the BDLC will not correctly receive the byte that woke it up.

If this mode is entered while the BDLC is receiving a message, the first subsequent received edge will cause the BDLC to wake up immediately, generate a CPU interrupt request, and wait for the BDLC internal operating clocks to restart and stabilize before normal communications can resume. Therefore, the BDLC is not guaranteed to receive that message correctly.

NOTE: *It is important to ensure all transmissions are complete or aborted prior to putting the BDLC into stop mode.*

Section 21. Electrical Specifications

21.1 Contents

21.2	Maximum Ratings	372
21.3	Functional Operating Range	373
21.4	Thermal Characteristics	373
21.5	5.0-Volt DC Electrical Characteristics Control Timing	374
21.6	Control Timing	375
21.7	ADC Characteristics	376
21.8	5.0-Vdc \pm 10% Serial Peripheral Interface (SPI) Timing	377
21.9	CGM Operating Conditions	380
21.10	CGM Component Information	380
21.11	CGM Acquisition/Lock Time Information	381
21.12	Timer Module Characteristics	382
21.13	RAM Characteristics	382
21.14	EEPROM Characteristics	382
21.15	BDLC Transmitter VPW Symbol Timings	382
21.16	BDLC Receiver VPW Symbol Timings	383
21.17	BDLC Transmitter DC Electrical Characteristics	384
21.18	BDLC Receiver DC Electrical Characteristics	384

21.2 Maximum Ratings

Maximum ratings are the extreme limits to which the MCU can be exposed without permanently damaging it.

The MCU contains circuitry to protect the inputs against damage from high static voltages; however, do not apply voltages higher than those shown in the table below. Keep V_{IN} and V_{OUT} within the range $V_{SS} \leq (V_{IN} \text{ or } V_{OUT}) \leq V_{DD}$. Connect unused inputs to the appropriate voltage level, either V_{SS} or V_{DD} .

Rating	Symbol	Value	Unit
Supply Voltage	V_{DD}	-0.3 to +6.0	V
Input Voltage	V_{IN}	$V_{SS} - 0.3$ to $V_{DD} + 0.3$	V
Maximum Current Per Pin Excluding V_{DD} and V_{SS}	I	± 25	mA
Storage Temperature	T_{STG}	-55 to +150	°C
Maximum Current out of V_{SS}	I_{MVSS}	100	mA
Maximum Current into V_{DD}	I_{MVDD}	100	mA
Reset \overline{IRQ} Input Voltage	V_{HI}	V_{DD} to $V_{DD} + 2$	V

NOTE: Voltages are referenced to V_{SS} .

NOTE: *This device is not guaranteed to operate properly at the maximum ratings. Refer to [21.5 5.0-Volt DC Electrical Characteristics Control Timing](#) for guaranteed operating conditions.*

21.3 Functional Operating Range

Rating	Symbol	Value	Unit
Operating Temperature Range	T_A	-40 to 105	°C
Operating Voltage Range	V_{DD}	$5.0 \pm 10\%$	V

21.4 Thermal Characteristics

Characteristic	Symbol	Value	Unit
Thermal Resistance PLCC (52 Pins)	θ_{JA}	50	°C/W
I/O Pin Power Dissipation	$P_{I/O}$	User Determined	W
Power Dissipation ⁽¹⁾	P_D	$P_D = (I_{DD} \times V_{DD}) + P_{I/O} = K/(T_J + 273 \text{ °C})$	W
Constant ⁽²⁾	K	$P_D \times (T_A + 273 \text{ °C}) + (P_D^2 \times \theta_{JA})$	W/°C
Average Junction Temperature	T_J	$T_A = P_D \times \theta_{JA}$	°C
Maximum Junction Temperature	T_{JM}	150	°C

1. Power dissipation is a function of temperature

2. K is a constant unique to the device. K can be determined from a known T_A and measured P_D . With this value of K, P_D and T_J can be determined for any value of T_A .

21.5 5.0-Volt DC Electrical Characteristics Control Timing

Characteristic ⁽¹⁾	Symbol	Min	Typ ⁽²⁾	Max	Unit
Output High Voltage ($I_{Load} = -2.0$ mA) All Ports, RESET	V_{OH}	$V_{DD} - 0.8$	—	—	V
Output Low Voltage ($I_{Load} = 1.6$ mA) All Ports, RESET	V_{OL}	—	—	0.4	V
Input High Voltage All Ports, \overline{IRQs} , RESET, OSC1	V_{IH}	$0.7 \times V_{DD}$	—	V_{DD}	V
Input Low Voltage All Ports, \overline{IRQs} , RESET, OSC1	V_{IL}	V_{SS}	—	$0.3 \times V_{DD}$	V
$V_{DD} + V_{DDA}/V_{DDAREF}$ Supply Current Run ⁽³⁾	I_{DD}	—	—	30	mA
Wait ⁽⁴⁾		—	—	15	mA
Stop ⁽⁵⁾		—	—	5	μ A
25 °C		—	—	50	μ A
–40 °C to +105 °C		—	—	400	μ A
25 °C with LVI Enabled	—	—	400	μ A	
–40 °C to +105 °C with LVI Enabled	—	—	500	μ A	
I/O Ports Hi-Z Leakage Current	I_L	—	—	± 1	μ A
Input Current	I_{IN}	—	—	± 1	μ A
Capacitance Ports (As Input or Output)	C_{OUT} C_{IN}	— —	— —	12 8	pF
Low-Voltage Reset Inhibit	V_{LVF}	3.7	4.1	4.45	V
Low-Voltage Reset Inhibit/Recover Hysteresis	H_{LVI}	50	150	—	mV
POR ReArm Voltage ⁽⁶⁾	V_{POR}	0	—	200	mV
POR Reset Voltage ⁽⁷⁾	V_{PORRST}	0	—	800	mV
POR Rise Time Ramp Rate ⁽⁸⁾	R_{POR}	0.02	—	—	V/ms
High COP Disable Voltage ⁽⁹⁾	V_{HI}	V_{DD}	—	$V_{DD} + 2$	V

1. $V_{DD} = 5.0$ Vdc $\pm 10\%$, $V_{SS} = 0$ Vdc, $T_A = -40$ °C to +105 °C, unless otherwise noted.

2. Typical values reflect average measurements at midpoint of voltage range, 25 °C only.

3. Run (Operating) I_{DD} measured using external square wave clock source ($f_{OP} = 8.4$ MHz). All inputs 0.2 V from rail. No dc loads. Less than 100 pF on all outputs. $C_L = 20$ pF on OSC2. All ports configured as inputs. OSC2 capacitance linearly affects run I_{DD} . Measured with all modules enabled.

4. Wait I_{DD} measured using external square wave clock source ($f_{OP} = 8.4$ MHz). All inputs 0.2 Vdc from rail. No dc loads. Less than 100 pF on all outputs, $C_L = 20$ pF on OSC2. All ports configured as inputs. OSC2 capacitance linearly affects wait I_{DD} . Measured with all modules enabled.

5. Stop I_{DD} measured with OSC1 = V_{SS} .

6. Maximum is highest voltage that POR is guaranteed.

7. Maximum is highest voltage that POR is possible.

8. If minimum V_{DD} is not reached before the internal POR reset is released, RST must be driven low externally until minimum V_{DD} is reached.

9. See [13.9 COP Module During Break Interrupts](#).

21.6 Control Timing

Characteristic ⁽¹⁾	Symbol	Min	Max	Unit
Bus Operating Frequency (4.5–5.5 V — V _{DD} Only)	f _{BUS}	—	8.4	MHz
RESET Pulse Width Low	t _{RL}	1.5	—	t _{cyc}
IRQ Interrupt Pulse Width Low (Edge-Triggered)	t _{ILHI}	1.5	—	t _{cyc}
IRQ Interrupt Pulse Period	t _{ILIL}	(2)	—	t _{cyc}
EEPROM Programming Time per Byte	t _{EEPGM}	10	—	ms
EEPROM Erasing Time per Byte	t _{EBYTE}	10	—	ms
EEPROM Erasing Time per Block	t _{EBLOCK}	10	—	ms
EEPROM Erasing Time per Bulk	t _{EBULK}	10	—	ms
EEPROM Programming Voltage Discharge Period	t _{EEFPV}	100	—	μs
16-Bit Timer ⁽³⁾ Input Capture Pulse Width ⁽²⁾ Input Capture Period	t _{TH} , t _{TL} t _{TLTL}	2 (4)	— —	t _{cyc}

1. V_{DD} = 5.0 Vdc ± 10%, V_{SS} = 0 Vdc, T_A = –40 °C to +105 °C, unless otherwise noted.
2. Refer to [Table 16-3. Mode, Edge, and Level Selection](#) and supporting note.
3. The 2-bit timer prescaler is the limiting factor in determining timer resolution.
4. The minimum period t_{TLTL} or t_{ILIL} should not be less than the number of cycles it takes to execute the capture interrupt service routine plus TBD t_{cyc}.

21.7 ADC Characteristics

Characteristic	Min	Max	Unit	Comments
Resolution	8	8	Bits	
Absolute Accuracy ($V_{REFL} = 0\text{ V}$, $V_{DDA} = V_{REFH} = 5\text{ V} \pm 10\%$)	-1	+1	LSB	Includes Quantization
Conversion Range ⁽¹⁾ (see Note 1)	V_{REFL}	V_{REFH}	V	$V_{REFL} = V_{SSA}$
Power-Up Time	16	17	μs	Conversion Time Period
Input Leakage ⁽²⁾ (see Note 3) Ports B and D	—	± 1	μA	
Conversion Time	16	17	ADC Clock Cycles	Includes Sampling Time
Monotonicity	Inherent within Total Error			
Zero Input Reading	00	01	Hex	$V_{IN} = V_{REFL}$
Full-Scale Reading	FE	FF	Hex	$V_{IN} = V_{REFH}$
Sample Time ⁽³⁾ (see Note 2)	5	—	ADC Clock Cycles	
Input Capacitance	—	8	pF	Not Tested
ADC Internal Clock	500 k	1.048 M	Hz	Tested Only at 1 MHz
Analog Input Voltage	-0.3	$V_{DD} + 0.3$	V	

1. $V_{DD} = 5.0\text{ Vdc} \pm 10\%$, $V_{SS} = 0\text{ Vdc}$, $V_{DDA}/V_{DDAREF} = 5.0\text{ Vdc} \pm 10\%$, $V_{SSA} = 0\text{ Vdc}$, $V_{REFH} = 5.0\text{ Vdc} \pm 10\%$

2. The external system error caused by input leakage current is approximately equal to the product of R source and input current.

3. Source impedances greater than 10 k Ω adversely affect internal RC charging time during input sampling.

21.8 5.0-Vdc ± 10% Serial Peripheral Interface (SPI) Timing

Num ⁽¹⁾	Characteristic ⁽²⁾	Symbol	Min	Max	Unit
	Operating Frequency ⁽³⁾ Master Slave	$f_{\text{BUS}(M)}$ $f_{\text{BUS}(S)}$	$f_{\text{BUS}}/128$ dc	$f_{\text{BUS}}/2$ f_{BUS}	MHz
1	Cycle Time Master Slave	$t_{\text{cyc}(M)}$ $t_{\text{cyc}(S)}$	2 1	128 —	t_{cyc}
2	Enable Lead Time	t_{LEAD}	15	—	ns
3	Enable Lag Time	t_{LAG}	15	—	ns
4	Clock (SCK) High Time Master Slave	$t_{\text{W}(SCKH)M}$ $t_{\text{W}(SCKH)S}$	100 50	— —	ns
5	Clock (SCK) Low Time Master Slave	$t_{\text{W}(SCKL)M}$ $t_{\text{W}(SCKL)S}$	100 50	— —	ns
6	Data Setup Time, Inputs Master Slave	$t_{\text{SU}(M)}$ $t_{\text{SU}(S)}$	45 5	— —	ns
7	Data Hold Time, Inputs Master Slave	$t_{\text{H}(M)}$ $t_{\text{H}(S)}$	0 15	— —	ns
8	Access Time, Slave ⁽⁴⁾ CPHA = 0 CPHA = 1	$t_{\text{A}(CP0)}$ $t_{\text{A}(CP1)}$	0 0	40 20	ns
9	Slave Disable Time, Hold Time to High-Impedance State	t_{DIS}	—	25	ns
10	Enable Edge Lead Time to Data Valid ⁽⁵⁾ Master Slave	$t_{\text{EV}(M)}$ $t_{\text{EV}(S)}$	— —	10 40	ns
11	Enable Edge Lead Time to Data Invalid Master Slave	$t_{\text{EI}(M)}$ $t_{\text{EI}(S)}$	0 5	— —	ns
12	Data Valid Master (Before Capture Edge)	$t_{\text{V}(M)}$	90	---	ns
13	Data Hold Time (Outputs) Master (After Capture Edge)	$t_{\text{HO}(M)}$	100	---	ns

1. Item numbers refer to dimensions in [Figure 21-1](#) and [Figure 21-2](#).

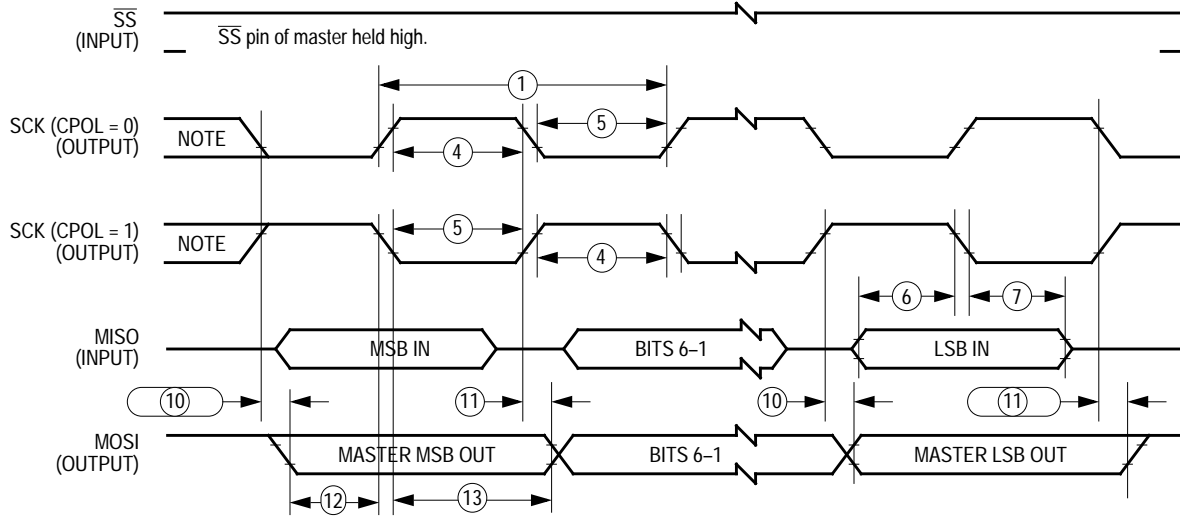
2. All timing is shown with respect to 30% V_{DD} and 70% V_{DD} , unless otherwise noted; assumes 100 pF load on all SPI pins.

3. f_{BUS} = the currently active bus frequency for the microcontroller.

4. Time to data active from high-impedance state

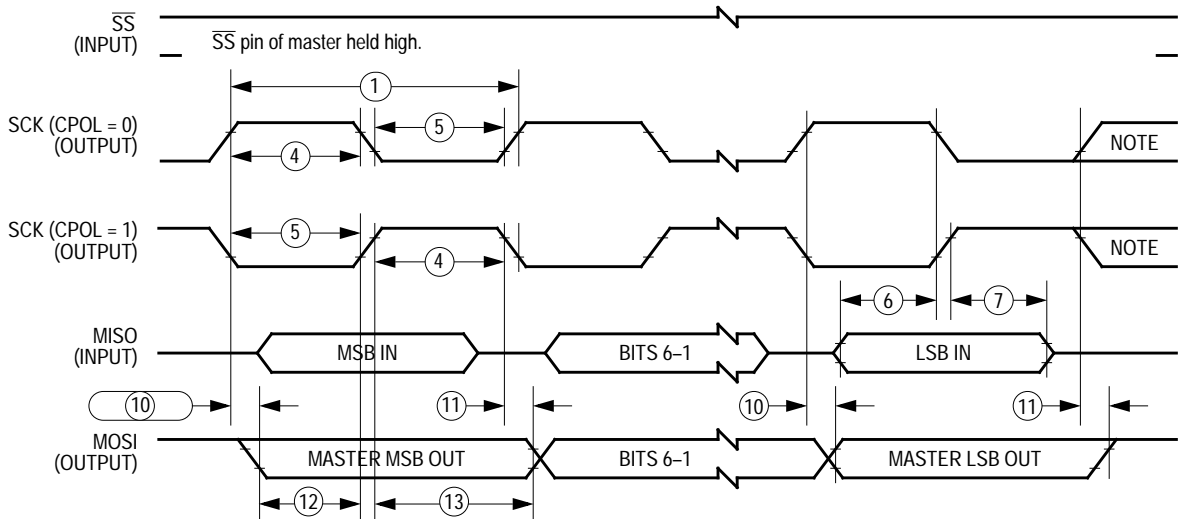
5. With 100 pF on all SPI pins

Electrical Specifications



NOTE: This first clock edge is generated internally, but is not seen at the SCK pin.

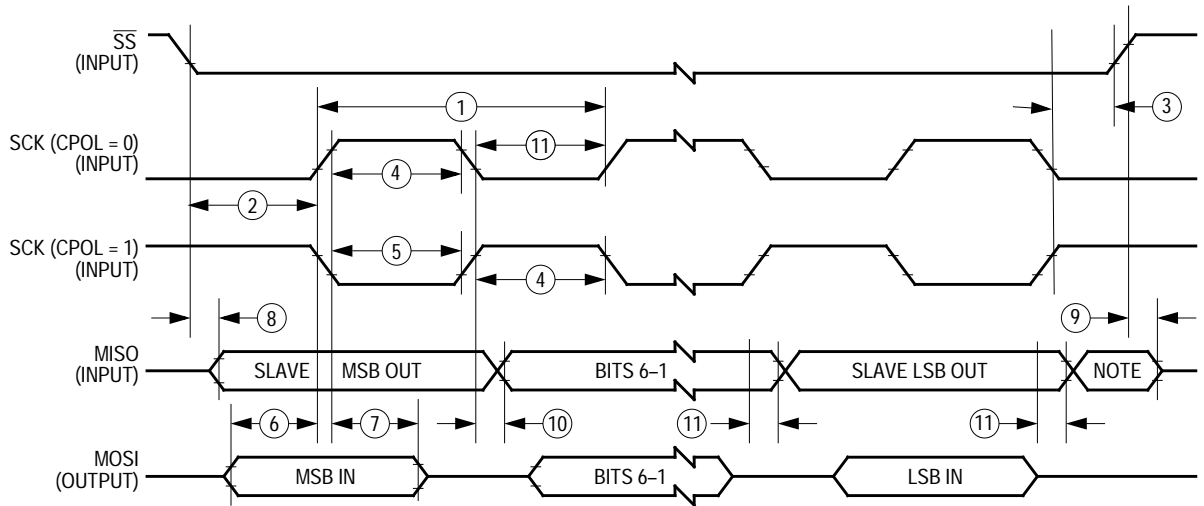
a) SPI Master Timing (CPHA = 0)



NOTE: This last clock edge is generated internally, but is not seen at the SCK pin.

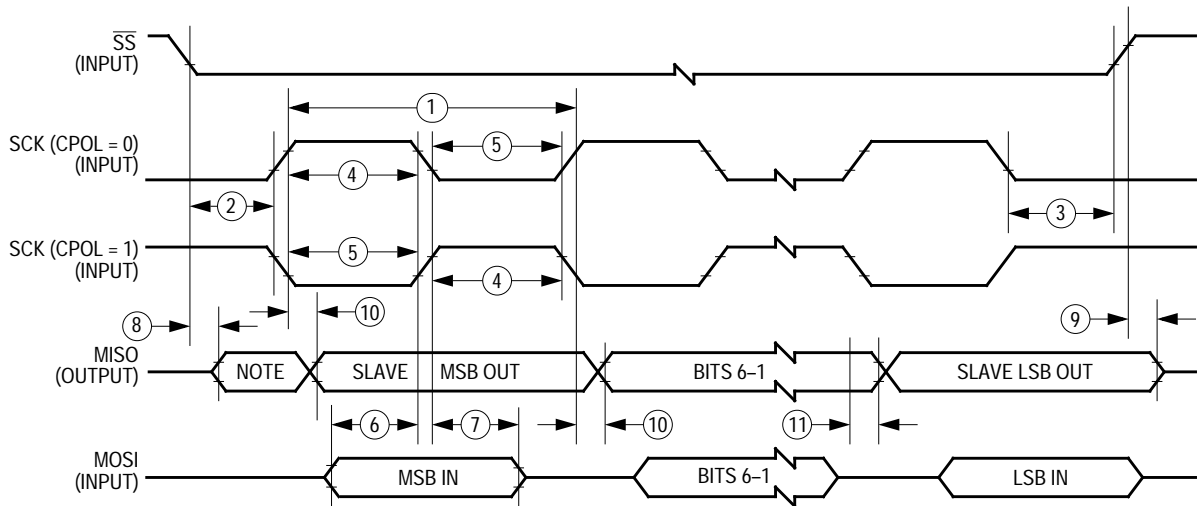
b) SPI Master Timing (CPHA = 1)

Figure 21-1. SPI Master Timing



NOTE: Not defined but normally MSB of character just received

a) SPI Slave Timing (CPHA = 0)



NOTE: Not defined but normally LSB of character previously transmitted

b) SPI Slave Timing (CPHA = 1)

Figure 21-2. SPI Slave Timing

21.9 CGM Operating Conditions

Characteristic	Symbol	Min	Typ	Max	Unit
Crystal Reference Frequency	f_{xclk}	1	—	8	MHz
Range Nominal Multiplier	f_{nom}	—	4.9152	—	MHz
VCO Center-of-Range Frequency ⁽¹⁾	f_{vrs}	4.9152	—	32.8	MHz
Medium Voltage VCO Center-of-Range Frequency		4.9152	—	16.4	MHz
VCO Frequency Multiplier	N	1	—	15	—
VCO Center-of-Range Multiplier	L	1	—	15	—
VCO Operating Frequency	f_{vclk}	f_{vrsmn}	—	f_{vrsmx}	MHz

1. 5.0 V \pm 10% V_{DD} only

21.10 CGM Component Information

Characteristic	Symbol	Min	Typ	Max	Unit
Crystal (X1) Frequency (MHz) ⁽¹⁾	f_{xclk}	1	4.9152	8	MHz
Crystal Load Capacitance ⁽²⁾	C_L	—	—	—	pF
Crystal Fixed Capacitance ⁽²⁾	C_1	—	$2 \times C_L$	—	pF
Crystal Tuning Capacitance ⁽²⁾	C_2	—	$2 \times C_L$	—	pF
Feedback Bias Resistor	R_B	—	1	—	M Ω
Series Resistor ⁽³⁾	R_S	0	—	3.3	k Ω
Filter Capacitor	C_F	—	$C_{Fact} \times (V_{DDA}/f_{xclk})$	—	pF
Bypass Capacitor ⁽⁴⁾	C_{byp}	—	0.1	—	μ F

1. Fundamental mode crystals only

2. Consult crystal manufacturer's data.

3. Not required

4. C_{byp} must provide low AC impedance from $f = f_{xclk}/100$ to $100 \times f_{vclk}$, so series resistance must be considered.

21.11 CGM Acquisition/Lock Time Information

Description	Symbol	Min	Typ	Max	Unit
Filter Capacitor Multiply Factor	C_{fact}	—	0.0154	—	F/sV
Acquisition Mode Time Factor	K_{acq}	—	0.1135	—	V
Tracking Mode Time Factor	K_{trk}	—	0.0174	—	V
Manual Mode Time to Stable ⁽¹⁾	t_{acq}	—	$\frac{8 \times V_{DDA}}{f_{xclk} \times K_{acq}}$	—	s
Manual Stable to Lock Time ⁽¹⁾	t_{al}	—	$\frac{4 \times V_{DDA}}{f_{xclk} \times K_{trk}}$	—	s
Manual Acquisition Time	t_{Lock}	—	$t_{acq} + t_{al}$	—	s
Tracking Mode Entry Frequency Tolerance	Δ_{trk}	0	—	3.6%	—
Acquisition Mode Entry Frequency Tolerance	Δ_{acq}	6.3%	—	7.2%	—
LOCK Entry Frequency Tolerance	Δ_{Lock}	0	—	0.9%	—
LOCK Exit Frequency Tolerance	Δ_{unl}	0.9%	—	1.8%	—
Reference Cycles per Acquisition Mode Measurement	n_{acq}	—	32	—	Cyc
Reference Cycles per Tracking Mode Measurement	n_{trk}	—	128	—	Cyc
Automatic Mode Time to Stable ⁽¹⁾	t_{acq}	$\frac{n_{acq}}{f_{xclk}}$	$\frac{8 \times V_{DDA}}{f_{xclk} \times K_{acq}}$	—	s
Automatic Stable to Lock Time ⁽¹⁾	t_{al}	$\frac{n_{trk}}{f_{xclk}}$	$\frac{4 \times V_{DDA}}{f_{xclk} \times K_{trk}}$	—	s
Automatic Lock Time	t_{Lock}	—	$t_{acq} + t_{al}$	—	s
PLL Jitter ⁽²⁾	f_j	0	—	$f_{crys} \times 0.025\% \times 2^P N/4$	Hz

1. If C_F chosen correctly

2. Deviation of average bus frequency over 2 ms, N = VCO frequency multiplier

21.12 Timer Module Characteristics

Characteristic	Symbol	Min	Max	Unit
Input Capture Pulse Width	t_{TIH}, t_{TIL}	125	—	ns
Input Clock Pulse Width	t_{TCH}, t_{TCL}	$(1/f_{OP}) + 5$	—	ns

21.13 RAM Characteristics

Characteristic	Symbol	Min	Max	Unit
RAM Data Retention Voltage	V_{RDR}	0.7	—	V

21.14 EEPROM Characteristics

Characteristic	Value	Unit
EEPROM Write/Erase Cycles @ 10 ms Write Time + 85 °C	10,000	Cycles
EEPROM Data Retention After 10,000 Write/Erase Cycles	10	Years

21.15 BDLC Transmitter VPW Symbol Timings

Characteristic ^{(1), (2)}	Number	Symbol	Min	Typ	Max	Unit
Passive Logic 0	10	t_{TVP1}	62	64	66	μ s
Passive Logic 1	11	t_{TVP2}	126	128	130	μ s
Active Logic 0	12	t_{TVA1}	126	128	130	μ s
Active Logic 1	13	t_{TVA2}	62	64	66	μ s
Start-of-Frame (SOF)	14	t_{TVA3}	198	200	202	μ s
End-of-Data (EOD)	15	t_{TVP3}	198	200	202	μ s
End-of-Frame (EOF)	16	t_{TV4}	278	280	282	μ s
Inter-Frame Separator (IFS)	17	t_{TV6}	298	300	302	μ s

1. $f_{BDLC} = 1.048576$ or 1.0 MHz, $V_{DD} = 5.0 \text{ V} \pm 10\%$, $V_{SS} = 0 \text{ V}$

2. See [Figure 21-3](#).

21.16 BDLC Receiver VPW Symbol Timings

Characteristic ^{(1), (2), (3)}	Number	Symbol	Min	Typ	Max	Unit
Passive Logic 0	10	t_{TRVP1}	34	64	96	μs
Passive Logic 1	11	t_{TRVP2}	96	128	163	μs
Active Logic 0	12	t_{TRVA1}	96	128	163	μs
Active Logic 1	13	t_{TRVA2}	34	64	96	μs
Start-of-Frame (SOF)	14	t_{TRVA3}	163	200	239	μs
End-of-Data (EOD)	15	t_{TRVP3}	163	200	239	μs
End-of-Frame (EOF)	16	t_{TRV4}	239	280	320	μs
Break	18	t_{TRV6}	280	—	—	μs

- $f_{BDLC} = 1.048576$ or 1.0 MHz, $V_{DD} = 5.0 \text{ V} \pm 10\%$, $V_{SS} = 0 \text{ V}$
- The receiver symbol timing boundaries are subject to an uncertainty of $1 t_{BDLC} \mu\text{s}$ due to sampling considerations.
- See [Figure 21-3](#).

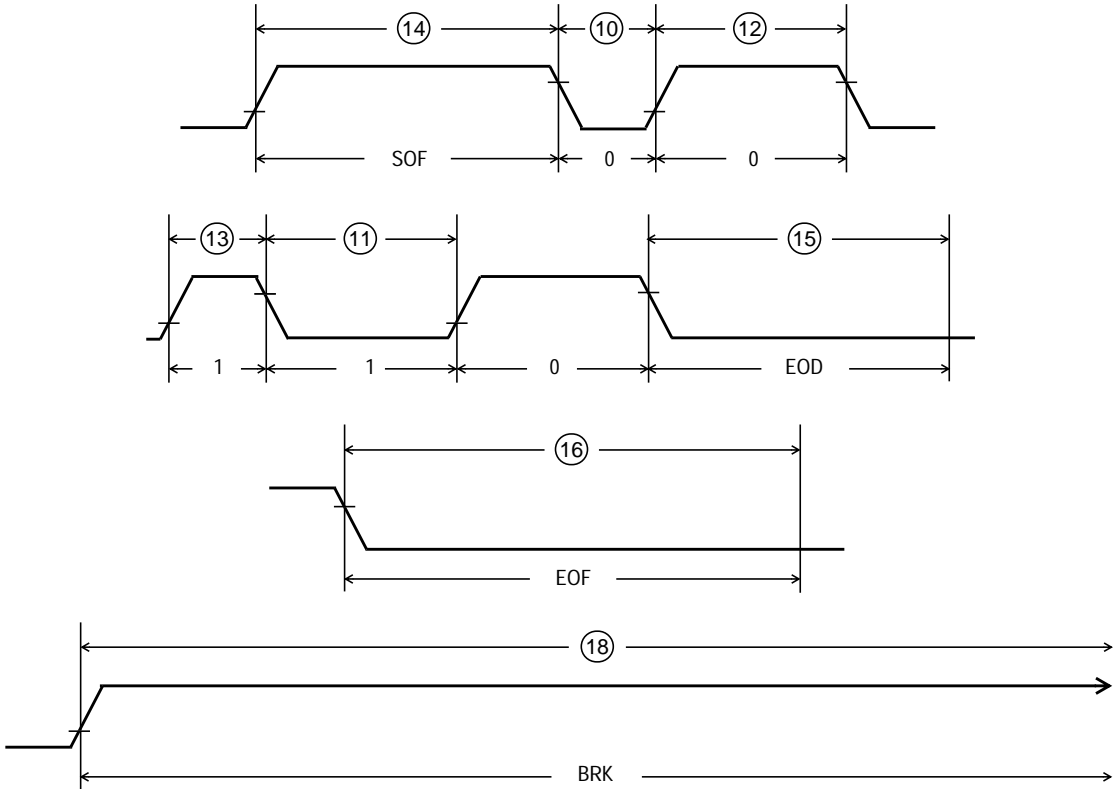


Figure 21-3. BDLC Variable Pulse Width Modulation (VPW) Symbol Timing

21.17 BDLC Transmitter DC Electrical Characteristics

Characteristic ⁽¹⁾	Symbol	Min	Max	Unit
BDTxD Output Low Voltage (IBDTxD = 1.6 mA)	V _{OLTX}	—	0.4	V
BDTxD Output High Voltage (IBDTx = -800 μA)	V _{OHTX}	V _{DD} - 0.8	—	V

1. V_{DD} = 5.0 Vdc ± 10%, V_{SS} = 0 Vdc, T_A = -40 °C to +125 °C, unless otherwise noted

21.18 BDLC Receiver DC Electrical Characteristics

Characteristic ⁽¹⁾	Symbol	Min	Max	Unit
BDRxD Input Low Voltage	V _{ILRX}	V _{SS}	0.3 x V _{DD}	V
BDRxD Input High Voltage	V _{IHRX}	0.7 x V _{DD}	V _{DD}	V
BDRxD Input Low Current	I _{ILBDRXI}	-1	+1	μA
BDRxD Input High Current	I _{HBDRX}	-1	+1	μA

1. V_{DD} = 5.0 Vdc ± 10%, V_{SS} = 0 Vdc, T_A = -40 °C to +125 °C, unless otherwise noted

Section 22. Mechanical Data

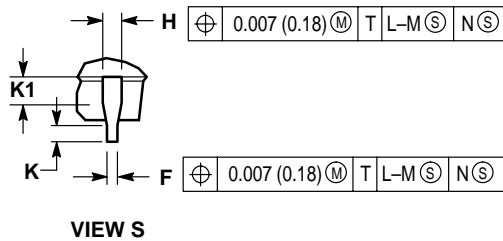
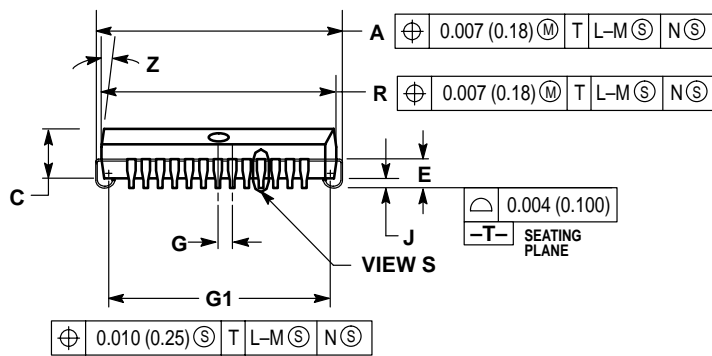
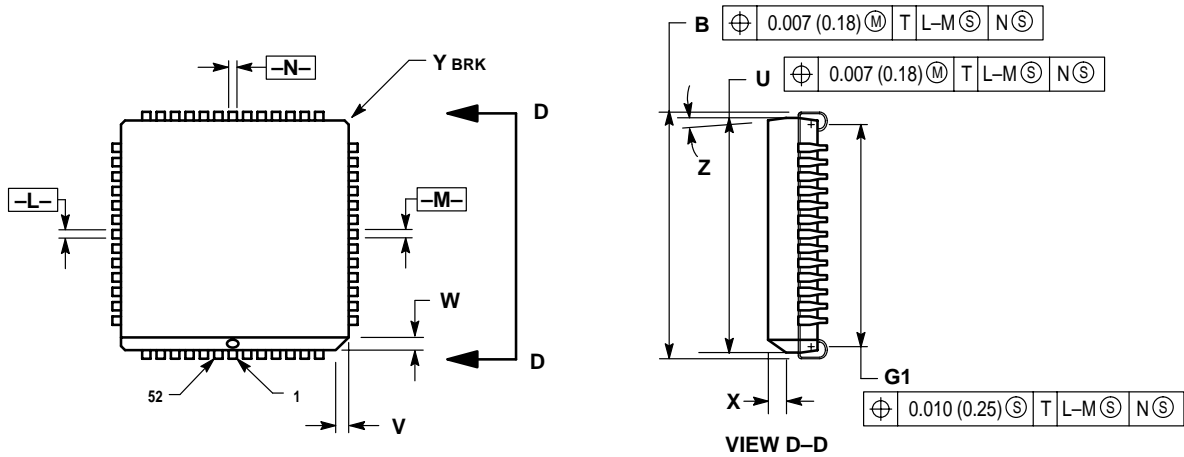
22.1 Contents

22.2	Introduction	385
22.3	52-Pin Plastic Leaded Chip Carrier Package (Case 778)	386
22.4	64-Pin Quad Flat Pack (Case 840B)	387

22.2 Introduction

This section describes the dimensions of the 52-pin plastic leaded chip carrier (PLCC) package and the 64-pin quad flat pack (QFP).

22.3 52-Pin Plastic Leaded Chip Carrier Package (Case 778)

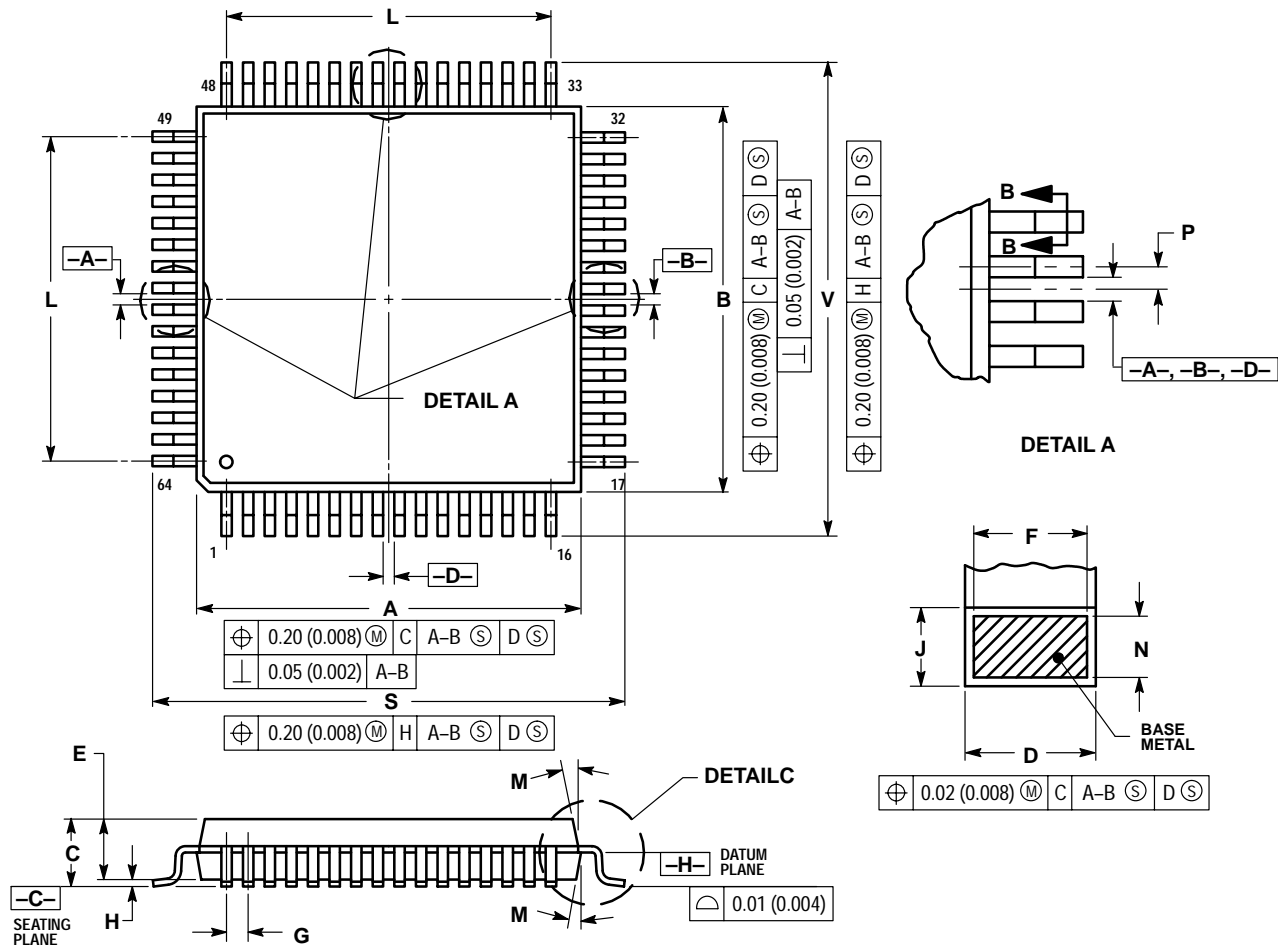


NOTES:

- DATUMS -L-, -M-, AND -N- DETERMINED WHERE TOP OF LEAD SHOULDER EXITS PLASTIC BODY AT MOLD PARTING LINE.
- DIMENSION G1, TRUE POSITION TO BE MEASURED AT DATUM -T-, SEATING PLANE.
- DIMENSIONS R AND U DO NOT INCLUDE MOLD FLASH. ALLOWABLE MOLD FLASH IS 0.010 (0.250) PER SIDE.
- DIMENSIONING AND TOLERANCING PER ANSI Y14.5M, 1982.
- CONTROLLING DIMENSION: INCH.
- THE PACKAGE TOP MAY BE SMALLER THAN THE PACKAGE BOTTOM BY UP TO 0.012 (0.300). DIMENSIONS R AND U ARE DETERMINED AT THE OUTERMOST EXTREMES OF THE PLASTIC BODY EXCLUSIVE OF MOLD FLASH, TIE BAR BURRS, GATE BURRS AND INTERLEAD FLASH, BUT INCLUDING ANY MISMATCH BETWEEN THE TOP AND BOTTOM OF THE PLASTIC BODY.
- DIMENSION H DOES NOT INCLUDE DAMBAR PROTRUSION OR INTRUSION. THE DAMBAR PROTRUSION(S) SHALL NOT CAUSE THE H DIMENSION TO BE GREATER THAN 0.037 (0.940). THE DAMBAR INTRUSION(S) SHALL NOT CAUSE THE H DIMENSION TO BE SMALLER THAN 0.025 (0.635).

DIM	INCHES		MILLIMETERS	
	MIN	MAX	MIN	MAX
A	0.785	0.795	19.94	20.19
B	0.785	0.795	19.94	20.19
C	0.165	0.180	4.20	4.57
E	0.090	0.110	2.29	2.79
F	0.013	0.019	0.33	0.48
G	0.050 BSC		1.27 BSC	
H	0.026	0.032	0.66	0.81
J	0.020	—	0.51	—
K	0.025	—	0.64	—
R	0.750	0.756	19.05	19.20
U	0.750	0.756	19.05	19.20
V	0.042	0.048	1.07	1.21
W	0.042	0.048	1.07	1.21
X	0.042	0.056	1.07	1.42
Y	—	0.020	—	0.50
Z	2°	10°	2°	10°
G1	0.710	0.730	18.04	18.54
K1	0.040	—	1.02	—

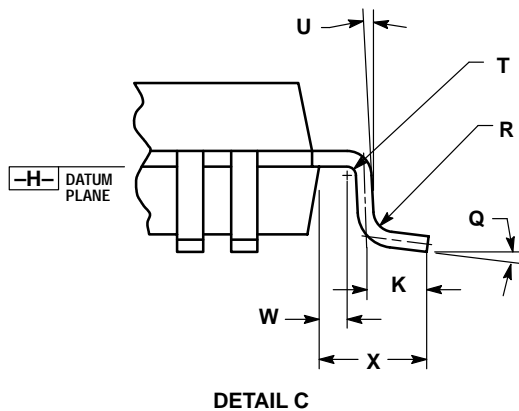
22.4 64-Pin Quad Flat Pack (Case 840B)



NOTES:

1. DIMENSIONING AND TOLERANCING PER ANSI Y14.5M, 1982.
2. CONTROLLING DIMENSION: MILLIMETER.
3. DATUM PLANE -H- IS LOCATED AT BOTTOM OF LEAD AND IS COINCIDENT WITH THE LEAD WHERE THE LEAD EXITS THE PLASTIC BODY AT THE BOTTOM OF THE PARTING LINE.
4. DATUMS -A-, -B- AND -D- TO BE DETERMINED AT DATUM PLANE -H-.
5. DIMENSIONS S AND V TO BE DETERMINED AT SEATING PLANE -C-.
6. DIMENSIONS A AND B DO NOT INCLUDE MOLD PROTRUSION. ALLOWABLE PROTRUSION IS 0.25 (0.010) PER SIDE. DIMENSIONS A AND B DO INCLUDE MOLD MISMATCH AND ARE DETERMINED AT DATUM PLANE -H-.
7. DIMENSION D DOES NOT INCLUDE DAMBAR PROTRUSION. ALLOWABLE DAMBAR PROTRUSION SHALL BE 0.08 (0.003) PER SIDE. TOTAL IN EXCESS OF THE D DIMENSION AT MAXIMUM MATERIAL CONDITION. DAMBAR CANNOT BE LOCATED ON THE LOWER RADIUS OR THE FOOT.

DIM	MILLIMETERS		INCHES	
	MIN	MAX	MIN	MAX
A	13.90	14.10	0.547	0.555
B	13.90	14.10	0.547	0.555
C	2.15	2.45	0.085	0.096
D	0.30	0.45	0.012	0.018
E	2.00	2.40	0.079	0.094
F	0.30	0.40	0.012	0.016
G	0.80 BSC		0.031 BSC	
H	---	0.25	---	0.010
J	0.13	0.23	0.005	0.009
K	0.65	0.95	0.026	0.037
L	12.00 REF		0.472 REF	
M	5°	10°	5°	10°
N	0.13	0.17	0.005	0.007
P	0.40 BSC			
Q	0°	7°	0°	7°
R	0.13	0.30	0.005	0.012
S	16.95	17.45	0.667	0.687
T	0.13	---	0.005	---
U	0°			
V	16.95	17.45	0.667	0.687
W	0.35	0.45	0.014	0.018
X	1.6 REF		0.063 REF	



Section 23. Ordering Information

23.1 Contents

23.2	Introduction	389
23.3	MCU Ordering Forms	389
23.4	Application Program Media.	390
23.5	ROM Program Verification	391
23.6	MC Order Numbers	392

23.2 Introduction

This section contains instructions for ordering custom-masked ROM MCUs.

23.3 MCU Ordering Forms

To initiate an order for a ROM-based MCU, first obtain the current ordering form for the MCU from a Motorola representative. Submit the following items when ordering MCUs:

- A current MCU ordering form that is **completely filled out** (Contact your Motorola sales office for assistance.)
- A copy of the customer specification if the customer specification deviates from the Motorola specification for the MCU
- Customer's application program on one of the media listed in [23.4 Application Program Media](#).

The current MCU ordering form is available also through the Motorola Freeware Bulletin Board Service (BBS). The telephone number is (512) 895-FREE. After making the connection, type bbs in lowercase letters. Then press the return key to start the BBS software.

23.4 Application Program Media

Please deliver the application program to Motorola in one of these:

- Macintosh^{®1} 3 1/2-inch diskette (double-sided 800 K or double-sided high-density 1.4 M)
- MS-DOS^{®2} or PC-DOS^{™3} 3 1/2-inch diskette (double-sided 720 K or double-sided high-density 1.44 M)
- MS-DOS[®] or PC-DOS[™] 5 1/4-inch diskette (double-sided double-density 360 K or double-sided high-density 1.2 M)

Use positive logic for data and addresses.

When submitting the application program on a diskette, clearly label the diskette with this information:

- Customer name
- Customer part number
- Project or product name
- File name of object code
- Date
- Name of operating system that formatted diskette
- Formatted capacity of diskette

1. Macintosh is a registered trademark of Apple Computer, Inc.
2. MS-DOS is a registered trademark of Microsoft Corporation.
3. PC-DOS is a trademark of International Business Machines Corporation.

On diskettes, the application program must be in Motorola's S-record format (S1 and S9 records), a character-based object file format generated by M6805 cross assemblers and linkers.

Begin the application program at the first user ROM location. Program addresses must correspond exactly to the available on-chip user ROM addresses as shown in the memory map. **Write \$00 in all non-user ROM locations or leave all non-user ROM locations blank.** Refer to the current MCU ordering form for additional requirements. Motorola may request pattern resubmission if non-user areas contain any non-zero code.

If the memory map has two user ROM areas with the same addresses, then write the two areas in separate files on the diskette. Label the diskette with both file names.

In addition to the object code, a file containing the source code can be included. Motorola keeps this code confidential and uses it only to expedite ROM pattern generation in case of any difficulty with the object code. Label the diskette with the file name of the source code.

23.5 ROM Program Verification

The primary use for the on-chip ROM is to hold the customer's application program. The customer develops and debugs the application program and then submits the MCU order along with the application program.

Motorola enters the customer's application program code into a computer program that generates a listing verify file. The listing verify file represents the memory map of the MCU. The listing verify file contains the user ROM code and also may contain non-user ROM code, such as self-check code. Motorola sends the customer a computer printout of the listing verify file along with a listing verify form.

To aid the customer in checking the listing verify file, Motorola programs the listing verify file into customer-supplied blank preformatted Macintosh or DOS disks. All original pattern media are filed for contractual purposes and are not returned.

Ordering Information

Check the listing verify file thoroughly, then complete and sign the listing verify form and return the listing verify form to Motorola. The signed listing verify form constitutes the contractual agreement for the creation of the custom mask.


23.6 MC Order Numbers

Table 23-1. MC Order Numbers

MC Order Number	Operating Temperature Range
MC68HC08AS32FN ⁽¹⁾	0 °C to + 70 °C
MC68HC08AS32CFN	– 40 °C to + 85 °C
MC68HC08AS32VFN	– 40 °C to + 105 °C
MC68HC08AS32FU ⁽²⁾	0 °C to + 70 °C
MC68HC08AS32CFU	– 40 °C to + 85 °C
MC68HC08AS32VFU	– 40 °C to + 105 °C

1. FN = plastic leaded chip carrier

2. FU = quad flat pack

Motorola reserves the right to make changes without further notice to any products herein. Motorola makes no warranty, representation or guarantee regarding the suitability of its products for any particular purpose, nor does Motorola assume any liability arising out of the application or use of any product or circuit, and specifically disclaims any and all liability, including without limitation consequential or incidental damages. "Typical" parameters which may be provided in Motorola data sheets and/or specifications can and do vary in different applications and actual performance may vary over time. All operating parameters, including "Typicals" must be validated for each customer application by customer's technical experts. Motorola does not convey any license under its patent rights nor the rights of others. Motorola products are not designed, intended, or authorized for use as components in systems intended for surgical implant into the body, or other applications intended to support or sustain life, or for any other application in which the failure of the Motorola product could create a situation where personal injury or death may occur. Should Buyer purchase or use Motorola products for any such unintended or unauthorized application, Buyer shall indemnify and hold Motorola and its officers, employees, subsidiaries, affiliates, and distributors harmless against all claims, costs, damages, and expenses, and reasonable attorney fees arising out of, directly or indirectly, any claim of personal injury or death associated with such unintended or unauthorized use, even if such claim alleges that Motorola was negligent regarding the design or manufacture of the part. Motorola and  are registered trademarks of Motorola, Inc. Motorola, Inc. is an Equal Opportunity/Affirmative Action Employer.

How to reach us:

USA/EUROPE/Locations Not Listed: Motorola Literature Distribution, P.O. Box 5405, Denver, Colorado 80217, 1-800-441-2447 or 1-303-675-2140. Customer Focus Center, 1-800-521-6274

JAPAN: Nippon Motorola Ltd.: SPD, Strategic Planning Office, 141, 4-32-1 Nishi-Gotanda, Shinagawa-ku, Tokyo, Japan. 03-5487-8488

ASIA/PACIFIC: Motorola Semiconductors H.K. Ltd., 8B Tai Ping Industrial Park, 51 Ting Kok Road, Tai Po, N.T., Hong Kong. 852-26629298

Mfax™, Motorola Fax Back System: RMFAX0@email.sps.mot.com; <http://sps.motorola.com/mfax/>;

TOUCHTONE, 1-602-244-6609; US and Canada ONLY, 1-800-774-1848

HOME PAGE: <http://motorola.com/sps/>

Mfax is a trademark of Motorola, Inc.



MOTOROLA

© Motorola, Inc., 1997

MC68HC08AS32/D