

Octal Bus Buffer/Line Driver

MC74VHC245, MC74VHCT245A

The MC74VHC245/MC74VHCT245A is an advanced high speed CMOS octal bus buffer fabricated with silicon gate CMOS technology.

It is intended for two-way asynchronous communication between data buses. The direction of data transmission is determined by the level of the DIR input. The output enable pin (OE) can be used to disable the device, so that the buses are effectively isolated.

All inputs are equipped with protection circuits against static discharge.

The MC74VHC245 inputs are compatible with standard CMOS levels while the MC74VHCT245A inputs are compatible with TTL levels. The MC74VHCT245A device can be used as a level converter for interfacing 3.3 V to 5.0 V, because it has full 5.0 V CMOS level output swings.

The MC74VHC245 and MC74VHCT245A inputs tolerate voltages up to 5.5 V, allowing the interface of 5 V systems to 3 V systems.

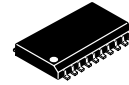
The MC74VHCT245A output structures provide protection when VCC = 0 V. These output structures help prevent device destruction caused by supply voltage – input/output voltage mismatch, battery backup, hot insertion, etc.

Features

- High Speed: $t_{PD} = 4.0 \text{ ns (Typ) at } V_{CC} = 5.0 \text{ V (VHC)}$
 $t_{PD} = 4.9 \text{ ns (Typ) at } V_{CC} = 5.0 \text{ V (VHCT)}$
- Low Power Dissipation: $I_{CC} = 4.0 \mu\text{A (Max) at } T_A = 25^\circ\text{C}$
- High Noise Immunity: $V_{NIH} = V_{NIL} = 28\%$
- Power Down Protection Provided
- Balanced Propagation Delays
- Designed for: 2.0 V to 5.5 V (VHC)
4.5 V to 5.5 V (VHCT)
- Low Noise: $V_{OLP} = 1.2 \text{ V (Max) (VHC)}$
 $V_{OLP} = 1.6 \text{ V (Max) (VHCT)}$
- Pin and Function Compatible with Other Standard Logic Families
- Latchup Performance Exceeds 100 mA
- ESD Performance: Human Body Model > 2000 V;
- Chip Complexity: 308 FETs
- –Q Suffix for Automotive and Other Applications Requiring Unique Site and Control Change Requirements; AEC–Q100 Qualified and PPAP Capable
- These Devices are Pb–Free, Halogen Free and are RoHS Compliant

Application Notes

- Do not force a signal on an I/O pin when it is an active output, damage may occur.
- All floating (high impedance) input or I/O pins must be fixed by means of pull up or pull down resistors or bus terminator ICs.
- A parasitic diode is formed between the bus and VCC terminals. Therefore, the VHC245 cannot be used to interface 5 V to 3 V systems directly.

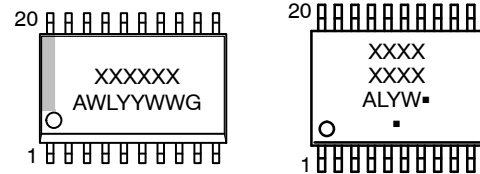


SOIC–20
DW SUFFIX
CASE 751D



TSSOP–20
DT SUFFIX
CASE 948E

MARKING DIAGRAMS



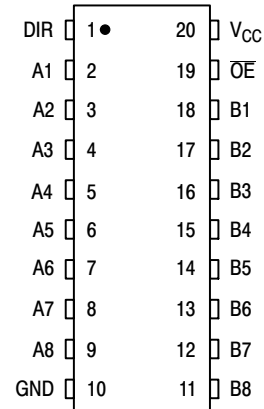
SOIC–20

TSSOP–20

- A = Assembly Location
- WL, L = Wafer Lot
- YY, Y = Year
- WW, W = Work Week
- G or ■ = Pb–Free Package

(Note: Microdot may be in either location)

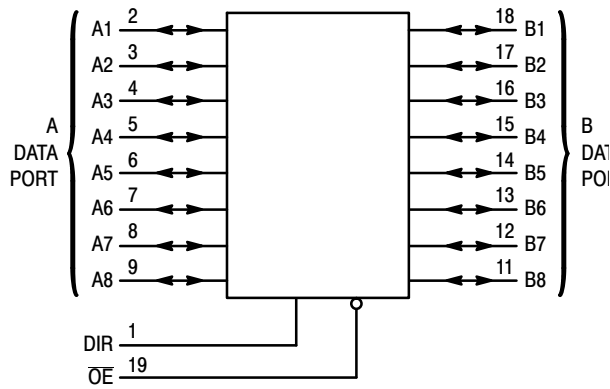
PIN ASSIGNMENT



ORDERING INFORMATION

See detailed ordering and shipping information on page 9 of this data sheet.

MC74VHC245, MC74VHCT245A



FUNCTION TABLE

| Control Inputs | | Operation |
|----------------|-----|---------------------------------------|
| OE | DIR | |
| L | L | Data Transmitted from Bus B to Bus A |
| L | H | Data Transmitted from Bus A to Bus B |
| H | X | Buses Isolated (High-Impedance State) |

Figure 1. Logic Diagram

MAXIMUM RATINGS

| Symbol | Parameter | Value | Unit | |
|----------------------|---|--|----------------------|------------------------------|
| V _{CC} | DC Supply Voltage | -0.5 to +6.5 | V | |
| V _{IN} | DC Input Voltage | -0.5 to +6.5 | V | |
| V _{OUT} | DC Output Voltage (MC74VHC) | -0.5 to V _{CC} +0.5 | V | |
| | DC Output Voltage (MC74VHCT) | Active Mode (High or Low State) | | -0.5 to V _{CC} +0.5 |
| | | Tristate Mode (Note 1) Power-Off Mode (V _{CC} = 0 V) | | -0.5 to +6.5 -0.5 to +6.5 |
| I _{IN} | DC Input Current, per Pin | ±20 | mA | |
| I _{OUT} | DC Output Current, Per Pin | ±25 | mA | |
| I _{CC} | DC Supply Current, V _{CC} and GND Pins | ±75 | mA | |
| I _{IK} | Input Clamp Current | -20 | mA | |
| I _{OK} | Output Clamp Current | MC74VHC | ±20 | mA |
| | | MC74VHCT | -20 | |
| T _{STG} | Storage Temperature Range | -65 to +150 | °C | |
| T _L | Lead Temperature, 1 mm from Case for 10 secs | 260 | °C | |
| T _J | Junction Temperature Under Bias | +150 | °C | |
| θ _{JA} | Thermal Resistance (Note 2) | SOIC-20W | 96 | °C/W |
| | | TSSOP-20 | 150 | |
| P _D | Power Dissipation in Still Air at 25°C | SOIC-20W | 1302 | mW |
| | | TSSOP-20 | 833 | |
| MSL | Moisture Sensitivity | Level 1 | - | |
| F _R | Flammability Rating | Oxygen Index: 28 to 34 | UL 94 V-0 @ 0.245 in | - |
| V _{ESD} | ESD Withstand Voltage (Note 3) | Human Body Model | 2000 | V |
| | | Charged Device Model | N/A | |
| I _{LATCHUP} | Latchup Performance (Note 4) | ±100 | mA | |

Stresses exceeding those listed in the Maximum Ratings table may damage the device. If any of these limits are exceeded, device functionality should not be assumed, damage may occur and reliability may be affected.

1. Applicable to devices with outputs that may be tri-stated.
2. Measured with minimum pad spacing on an FR4 board, using 76 mm-by-114 mm, 2-ounce copper trace no air flow per JESD51-7.
3. HBM tested to EIA / JESD22-A114-A. CDM tested to JESD22-C101-A. JEDEC recommends that ESD qualification to EIA/JESD22-A115A (Machine Model) be discontinued.
4. Tested to EIA/JESD78 Class II.

MC74VHC245, MC74VHCT245A

RECOMMENDED OPERATING CONDITIONS

| Symbol | Parameter | Min | Max | Unit |
|----------------|---|-----|----------|------|
| MC74VHC | | | | |
| V_{CC} | DC Supply Voltage | 2.0 | 5.5 | V |
| V_{IN} | DC Input Voltage (Note 5) | 0 | 5.5 | V |
| V_{OUT} | DC Output Voltage (Note 5) | 0 | V_{CC} | V |
| T_A | Operating Temperature | -40 | +85 | °C |
| t_r, t_f | Input Rise or Fall Rate | | | |
| | $V_{CC} = 3.0\text{ V to }3.6\text{ V}$ | 0 | 100 | ns/V |
| | $V_{CC} = 4.5\text{ V to }5.5\text{ V}$ | 0 | 20 | |

MC74VHCT

| Symbol | Parameter | Min | Max | Unit |
|------------|--|-----|----------|------|
| V_{CC} | DC Supply Voltage | 4.5 | 5.5 | V |
| V_{IN} | DC Input Voltage (Note 5) | 0 | 5.5 | V |
| V_{OUT} | DC Output Voltage (Note 5) | | | |
| | Active Mode (High or Low State) | 0 | V_{CC} | V |
| | Tristate Mode | 0 | 5.5 | |
| | Power-Off Mode ($V_{CC} = 0\text{ V}$) | 0 | 5.5 | |
| T_A | Operating Temperature | -40 | +85 | °C |
| t_r, t_f | Input Rise or Fall Rate | | | |
| | $V_{CC} = 4.5\text{ V to }5.5\text{ V}$ | 0 | 20 | ns/V |

Functional operation above the stresses listed in the Recommended Operating Ranges is not implied. Extended exposure to stresses beyond the Recommended Operating Ranges limits may affect device reliability.

5. Unused inputs must always be tied to an appropriate logic voltage level (e.g., either GND or V_{CC}). Unused outputs must be left open.

DC ELECTRICAL CHARACTERISTICS (MC74VHC245)

| Symbol | Parameter | Test Conditions | V_{CC} V | $T_A = 25^\circ\text{C}$ | | | $T_A = -40\text{ to }85^\circ\text{C}$ | | Unit |
|----------|-------------------------------------|---|----------------------|-----------------------------|-------------------|-----------------------------|--|-----------------------------|---------------|
| | | | | Min | Typ | Max | Min | Max | |
| V_{IH} | Minimum High-Level Input Voltage | | 2.0 3.0 to 5.5 | 1.50 $V_{CC} \times 0.7$ | | | 1.50 $V_{CC} \times 0.7$ | | V |
| V_{IL} | Maximum Low-Level Input Voltage | | 2.0 3.0 to 5.5 | | | 0.50 $V_{CC} \times 0.3$ | | 0.50 $V_{CC} \times 0.3$ | V |
| V_{OH} | Minimum High-Level Output Voltage | $V_{in} = V_{IH}$ or V_{IL} $I_{OH} = -50\ \mu\text{A}$ | 2.0 3.0 4.5 | 1.9 2.9 4.4 | 2.0 3.0 4.5 | | 1.9 2.9 4.4 | | V |
| | | $V_{in} = V_{IH}$ or V_{IL} $I_{OH} = -4\text{ mA}$ $I_{OH} = -8\text{ mA}$ | 3.0 4.5 | 2.58 3.94 | | | 2.48 3.80 | | |
| V_{OL} | Maximum Low-Level Output Voltage | $V_{in} = V_{IH}$ or V_{IL} $I_{OL} = 50\ \mu\text{A}$ | 2.0 3.0 4.5 | | 0.0 0.0 0.0 | 0.1 0.1 0.1 | | 0.1 0.1 0.1 | V |
| | | $V_{in} = V_{IH}$ or V_{IL} $I_{OL} = 4\text{ mA}$ $I_{OL} = 8\text{ mA}$ | 3.0 4.5 | | | 0.36 0.36 | | 0.44 0.44 | |
| I_{in} | Maximum Input Leakage Current | $V_{in} = 5.5\text{ V}$ or GND (DIR, OE) | 0 to 5.5 | | | ± 0.1 | | ± 1.0 | μA |
| I_{OZ} | Maximum Three-State Leakage Current | $V_{in} = V_{IL}$ or V_{IH} $V_{out} = V_{CC}$ or GND | 5.5 | | | ± 0.25 | | ± 2.5 | μA |
| I_{CC} | Maximum Quiescent Supply Current | $V_{in} = V_{CC}$ or GND | 5.5 | | | 4.0 | | 40.0 | μA |

Product parametric performance is indicated in the Electrical Characteristics for the listed test conditions, unless otherwise noted. Product performance may not be indicated by the Electrical Characteristics if operated under different conditions.

MC74VHC245, MC74VHCT245A

AC ELECTRICAL CHARACTERISTICS (MC74VHC245)

| Symbol | Parameter | Test Conditions | T _A = 25°C | | | T _A = - 40 to 85°C | | Unit |
|--|--|--|-----------------------|-------------|--------------|-------------------------------|--------------|------|
| | | | Min | Typ | Max | Min | Max | |
| t _{PLH} , t _{PHL} | Maximum Propagation Delay, A to B or B to A | V _{CC} = 3.3 ± 0.3 V C _L = 15 pF C _L = 50 pF | | 5.8 8.3 | 8.4 11.9 | 1.0 1.0 | 10.0 13.5 | ns |
| | | V _{CC} = 5.0 ± 0.5 V C _L = 15 pF C _L = 50 pF | | 4.0 5.5 | 5.5 7.5 | 1.0 1.0 | 6.5 8.5 | |
| t _{PZL} , t _{PZH} | Output Enable Time OE to A or B | V _{CC} = 3.3 ± 0.3 V C _L = 15 pF C _L = 50 pF | | 8.5 11.0 | 13.2 16.7 | 1.0 1.0 | 15.5 19.0 | ns |
| | | V _{CC} = 5.0 ± 0.5 V C _L = 15 pF C _L = 50 pF | | 5.8 7.3 | 8.5 10.6 | 1.0 1.0 | 10.0 12.0 | |
| t _{PLZ} , t _{PHZ} | Output Disable Time OE to A or B | V _{CC} = 3.3 ± 0.3 V C _L = 50 pF | | 11.5 | 15.8 | 1.0 | 18.0 | ns |
| | | V _{CC} = 5.0 ± 0.5 V C _L = 50 pF | | 7.0 | 9.7 | 1.0 | 11.0 | |
| t _{OSLH} , t _{OSSL} | Output to Output Skew | V _{CC} = 3.3 ± 0.3 V C _L = 50 pF (Note 6) | | | 1.5 | | 1.5 | ns |
| | | V _{CC} = 5.0 ± 0.5 V C _L = 50 pF (Note 6) | | | 1.0 | | 1.0 | ns |
| C _{in} | Maximum Input Capacitance DIR, OE | | | 4 | 10 | | 10 | pF |
| C _{I/O} | Maximum Three-State I/O Capacitance | | | 8 | | | | pF |

| C _{PD} | Power Dissipation Capacitance (Note 7) | Typical @ 25°C, V _{CC} = 5.0 V | | pF |
|-----------------|--|---|--|----|
| | | 21 | | |
| | | | | |

6. Parameter guaranteed by design. t_{OSLH} = |t_{PLHm} - t_{PLHn}|, t_{OSSL} = |t_{PHLm} - t_{PHLn}|.
7. C_{PD} is defined as the value of the internal equivalent capacitance which is calculated from the operating current consumption without load. Average operating current can be obtained by the equation: I_{CC(OPR)} = C_{PD} • V_{CC} • f_{in} + I_{CC} / 8 (per bit). C_{PD} is used to determine the no-load dynamic power consumption; P_D = C_{PD} • V_{CC}² • f_{in} + I_{CC} • V_{CC}.

NOISE CHARACTERISTICS (MC74VHC245)

| Symbol | Parameter | T _A = 25°C | | Unit |
|------------------|--|-----------------------|------|------|
| | | Typ | Max | |
| V _{OLP} | Quiet Output Maximum Dynamic V _{OL} | 0.9 | 1.2 | V |
| V _{OLV} | Quiet Output Minimum Dynamic V _{OL} | -0.9 | -1.2 | V |
| V _{IHD} | Minimum High Level Dynamic Input Voltage | | 3.5 | V |
| V _{ILD} | Maximum Low Level Dynamic Input Voltage | | 1.5 | V |

MC74VHC245, MC74VHCT245A

DC ELECTRICAL CHARACTERISTICS (MC74VHCT245A)

| Symbol | Parameter | Test Conditions | V _{CC} V | T _A = 25°C | | | T _A = - 40 to 85°C | | Unit |
|------------------|---|---|----------------------|-----------------------|-----|-------|-------------------------------|------|------|
| | | | | Min | Typ | Max | Min | Max | |
| V _{IH} | Minimum High-Level Input Voltage | | 4.5 to 5.5 | 2.0 | | | 2.0 | | V |
| V _{IL} | Maximum Low-Level Input Voltage | | 4.5 to 5.5 | | | 0.8 | | 0.8 | V |
| V _{OH} | Minimum High-Level Output Voltage V _{in} = V _{IH} or V _{IL} | I _{OH} = - 50 μA | 4.5 | 4.4 | 4.5 | | 4.4 | | V |
| | | I _{OH} = - 8 mA | 4.5 | 3.94 | | | 3.80 | | |
| V _{OL} | Maximum Low-Level Output Voltage V _{in} = V _{IH} or V _{IL} | I _{OL} = 50 μA | 4.5 | | 0.0 | 0.1 | | 0.1 | V |
| | | I _{OL} = 8 mA | 4.5 | | | 0.36 | | 0.44 | |
| I _{in} | Maximum Input Leakage Current | V _{in} = 5.5 V or GND | 0 to 5.5 | | | ±0.1 | | ±1.0 | μA |
| I _{OZ} | Maximum 3-State Leakage Current | V _{in} = V _{IL} or V _{IH} V _{out} = V _{CC} or GND | 5.5 | | | ±0.25 | | ±2.5 | μA |
| I _{CC} | Maximum Quiescent Supply Current | V _{in} = V _{CC} or GND | 5.5 | | | 4.0 | | 40.0 | μA |
| I _{CCT} | Quiescent Supply Current | Per Input: V _{IN} = 3.4 V Other Input: V _{CC} or GND | 5.5 | | | 1.35 | | 1.50 | mA |
| I _{OPD} | Output Leakage Current | V _{OUT} = 5.5 V | 0 | | | 0.5 | | 5.0 | μA |

Product parametric performance is indicated in the Electrical Characteristics for the listed test conditions, unless otherwise noted. Product performance may not be indicated by the Electrical Characteristics if operated under different conditions.

MC74VHC245, MC74VHCT245A

AC ELECTRICAL CHARACTERISTICS (MC74VHCT245A)

| Symbol | Parameter | Test Conditions | T _A = 25°C | | | T _A = -40 to 85°C | | Unit |
|--|---|---|-----------------------|------------|--------------|------------------------------|--------------|------|
| | | | Min | Typ | Max | Min | Max | |
| t _{PLH} , t _{PHL} | Maximum Propagation Delay A to B or B to A | V _{CC} = 5.0 ± 0.5 V C _L = 15 pF C _L = 50 pF | | 4.9 5.4 | 7.7 8.7 | 1.0 1.0 | 8.5 9.5 | ns |
| t _{PZL} , t _{PZH} | Output Enable Time OE to A or B | V _{CC} = 5.0 ± 0.5 V C _L = 15 pF C _L = 50 pF | | 9.4 9.9 | 13.8 14.8 | 1.0 1.0 | 15.0 16.0 | ns |
| t _{PLZ} , t _{PHZ} | Output Disable Time OE to A or B | V _{CC} = 5.0 ± 0.5 V C _L = 50 pF | | 10.1 | 15.4 | 1.0 | 16.5 | ns |
| t _{OSLH} , t _{OSHL} | Output to Output Skew | V _{CC} = 5.0 ± 0.5 V (Note 8) C _L = 50 pF | | | 1.0 | | 1.0 | ns |
| C _{in} | Maximum Input Capacitance | | | 4 | 10 | | 10 | pF |
| C _{out} | Maximum 3-State Output Capacitance (Output in High-Impedance State) | | | 13 | | | | pF |

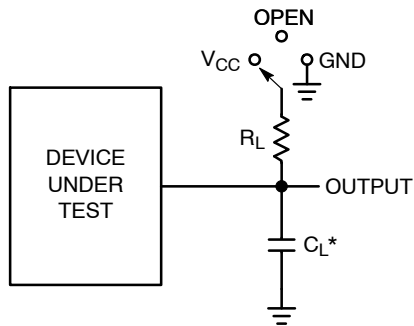
| C _{PD} | Power Dissipation Capacitance (Note 9) | Typical @ 25°C, V _{CC} = 5.0 V | | pF |
|-----------------|--|---|--|----|
| | | 16 | | |
| | | | | |

8. Parameter guaranteed by design. t_{OSLH} = |t_{PLHm} - t_{PLHn}|, t_{OSHL} = |t_{PHLm} - t_{PHLn}|.
9. C_{PD} is defined as the value of the internal equivalent capacitance which is calculated from the operating current consumption without load. Average operating current can be obtained by the equation: I_{CC(OPR)} = C_{PD} • V_{CC} • f_{in} + I_{CC}/8 (per bit). C_{PD} is used to determine the no-load dynamic power consumption; P_D = C_{PD} • V_{CC}² • f_{in} + I_{CC} • V_{CC}.

NOISE CHARACTERISTICS (MC74VHCT245A)

| Symbol | Parameter | T _A = 25°C | | Unit |
|------------------|--|-----------------------|------|------|
| | | Typ | Max | |
| V _{OLP} | Quiet Output Maximum Dynamic V _{OL} | 1.2 | 1.6 | V |
| V _{OLV} | Quiet Output Minimum Dynamic V _{OL} | -1.2 | -1.6 | V |
| V _{IHD} | Minimum High Level Dynamic Input Voltage | | 2.0 | V |
| V _{ILD} | Maximum Low Level Dynamic Input Voltage | | 0.8 | V |

MC74VHC245, MC74VHCT245A



* C_L Includes probe and jig capacitance
Input signal $t_R = t_F = 3$ ns

| Test | Switch Position | C_L | R_L |
|---------------------|-----------------|------------------------------|--------------|
| t_{PLH} / t_{PHL} | Open | See AC Characteristics Table | 1 k Ω |
| t_{PLZ} / t_{PZL} | V_{CC} | | |
| t_{PHZ} / t_{PZH} | GND | | |

Figure 2. Test Circuits

SWITCHING WAVEFORMS

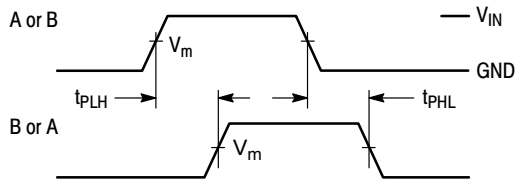


Figure 3.

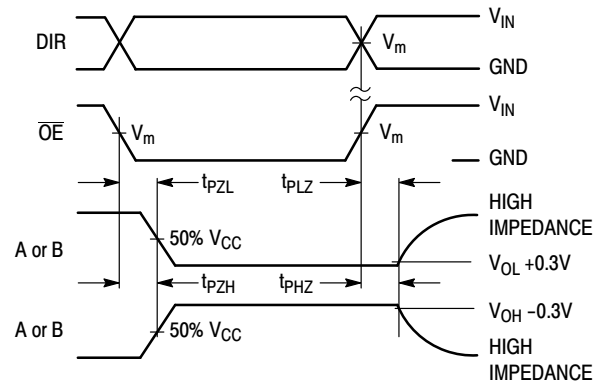


Figure 4.

| Device | V_{IN}, V | V_m, V |
|--------------|-------------|----------------------|
| MC74VHC245 | V_{CC} | $50\% \times V_{CC}$ |
| MC74VHCT245A | 3 V | 1.5 V |

MC74VHC245, MC74VHCT245A

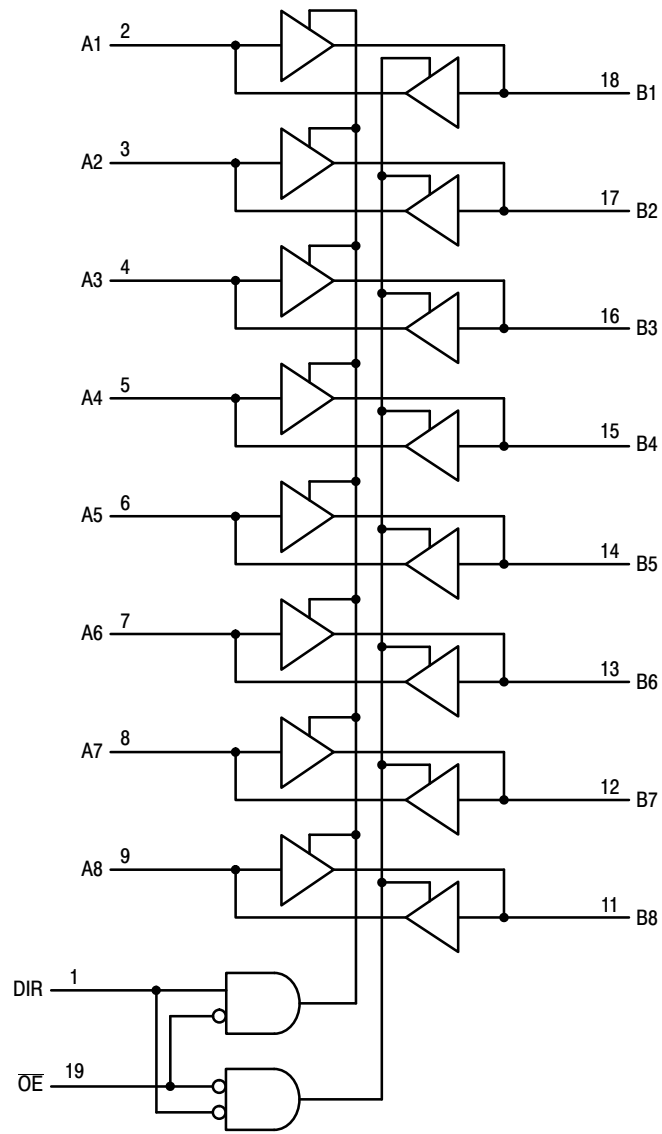


Figure 5. Expanded Logic Diagram

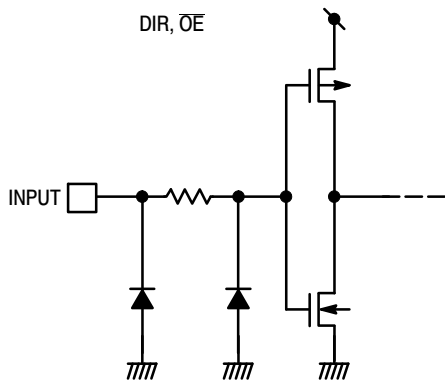


Figure 6. Input Equivalent Circuit

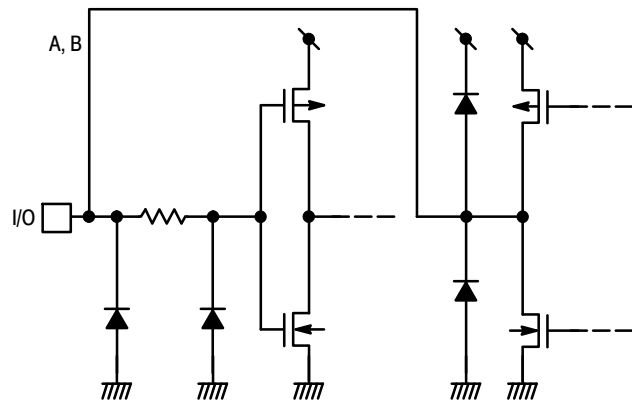


Figure 7. Bus Terminal Equivalent Circuit

MC74VHC245, MC74VHCT245A

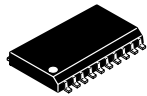
ORDERING INFORMATION

| Device | Marking | Package | Shipping† |
|-------------------|--------------|------------|--------------------|
| MC74VHC245DWG | VHC245G | SOIC-20 WB | 38 Units / Rail |
| MC74VHC245DWR2G | VHC245G | SOIC-20 WB | 2500 / Tape & Reel |
| MC74VHC245DTG | VHC 245 | TSSOP-20 | 75 Units / Rail |
| MC74VHC245DTR2G | VHC 245 | TSSOP-20 | 1000 / Tape & Reel |
| MC74VHCT245ADWG | VHCT245AG | SOIC-20 WB | 38 Units / Rail |
| MC74VHCT245ADWR2G | VHCT245AG | SOIC-20 WB | 2500 / Tape & Reel |
| MC74VHCT245ADTG | VHCT 245A | TSSOP-20 | 75 Units / Rail |
| MC74VHCT245ADTR2G | VHCT 245A | TSSOP-20 | 1000 / Tape & Reel |

†For information on tape and reel specifications, including part orientation and tape sizes, please refer to our Tape and Reel Packaging Specifications Brochure, BRD8011/D.

*-Q Suffix for Automotive and Other Applications Requiring Unique Site and Control Change Requirements; AEC-Q100 Qualified and PPAP Capable

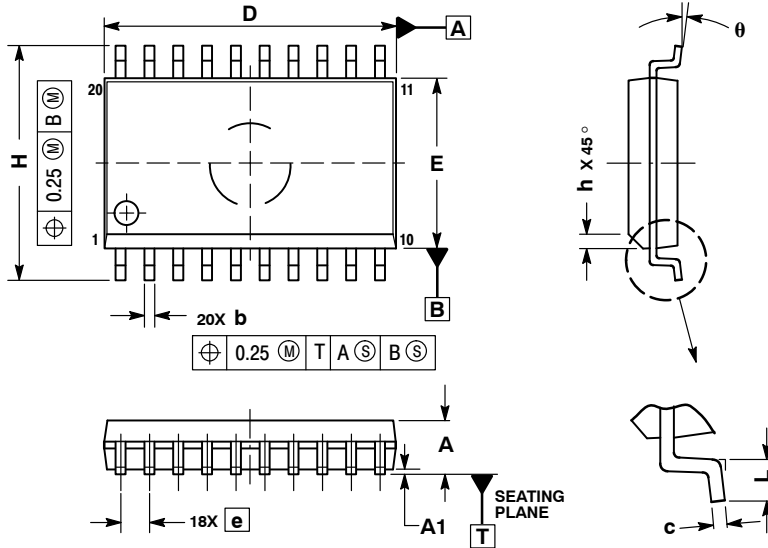
MECHANICAL CASE OUTLINE PACKAGE DIMENSIONS



SCALE 1:1

SOIC-20 WB
CASE 751D-05
ISSUE H

DATE 22 APR 2015

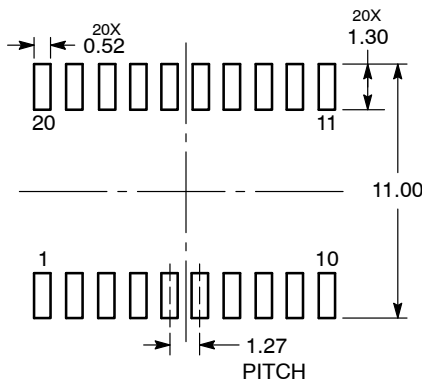


NOTES:

1. DIMENSIONS ARE IN MILLIMETERS.
2. INTERPRET DIMENSIONS AND TOLERANCES PER ASME Y14.5M, 1994.
3. DIMENSIONS D AND E DO NOT INCLUDE MOLD PROTRUSION.
4. MAXIMUM MOLD PROTRUSION 0.15 PER SIDE.
5. DIMENSION B DOES NOT INCLUDE DAMBAR PROTRUSION. ALLOWABLE PROTRUSION SHALL BE 0.13 TOTAL IN EXCESS OF B DIMENSION AT MAXIMUM MATERIAL CONDITION.

| DIM | MILLIMETERS | |
|-----|-------------|-------|
| | MIN | MAX |
| A | 2.35 | 2.65 |
| A1 | 0.10 | 0.25 |
| b | 0.35 | 0.49 |
| c | 0.23 | 0.32 |
| D | 12.65 | 12.95 |
| E | 7.40 | 7.60 |
| e | 1.27 BSC | |
| H | 10.05 | 10.55 |
| h | 0.25 | 0.75 |
| L | 0.50 | 0.90 |
| θ | 0° | 7° |

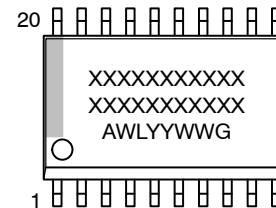
RECOMMENDED
SOLDERING FOOTPRINT*



DIMENSIONS: MILLIMETERS

*For additional information on our Pb-Free strategy and soldering details, please download the ON Semiconductor Soldering and Mounting Techniques Reference Manual, SOLDERRM/D.

GENERIC
MARKING DIAGRAM*



- XXXXXX = Specific Device Code
- A = Assembly Location
- WL = Wafer Lot
- YY = Year
- WW = Work Week
- G = Pb-Free Package

*This information is generic. Please refer to device data sheet for actual part marking. Pb-Free indicator, "G" or microdot "▪", may or may not be present. Some products may not follow the Generic Marking.

| | | |
|------------------|-------------|--|
| DOCUMENT NUMBER: | 98ASB42343B | Electronic versions are uncontrolled except when accessed directly from the Document Repository. Printed versions are uncontrolled except when stamped "CONTROLLED COPY" in red. |
| DESCRIPTION: | SOIC-20 WB | PAGE 1 OF 1 |

onsemi and ONsemi are trademarks of Semiconductor Components Industries, LLC dba onsemi or its subsidiaries in the United States and/or other countries. onsemi reserves the right to make changes without further notice to any products herein. onsemi makes no warranty, representation or guarantee regarding the suitability of its products for any particular purpose, nor does onsemi assume any liability arising out of the application or use of any product or circuit, and specifically disclaims any and all liability, including without limitation special, consequential or incidental damages. onsemi does not convey any license under its patent rights nor the rights of others.

MECHANICAL CASE OUTLINE

PACKAGE DIMENSIONS

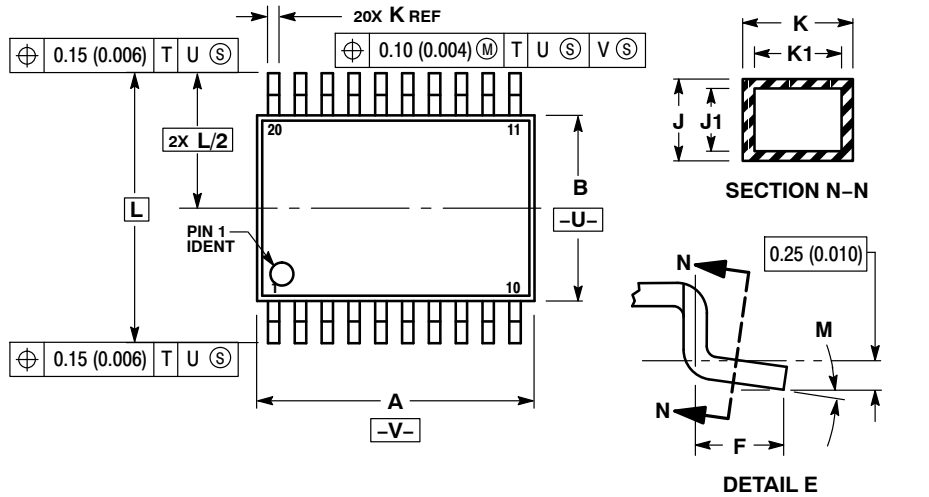
ON Semiconductor®



TSSOP-20 WB
CASE 948E
ISSUE D

DATE 17 FEB 2016

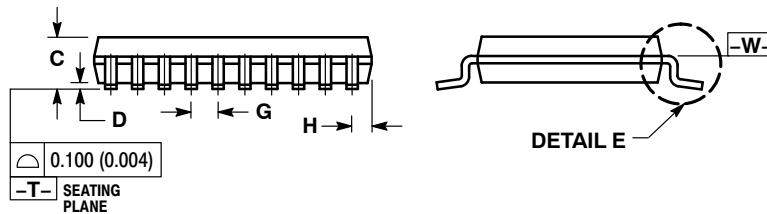
SCALE 2:1



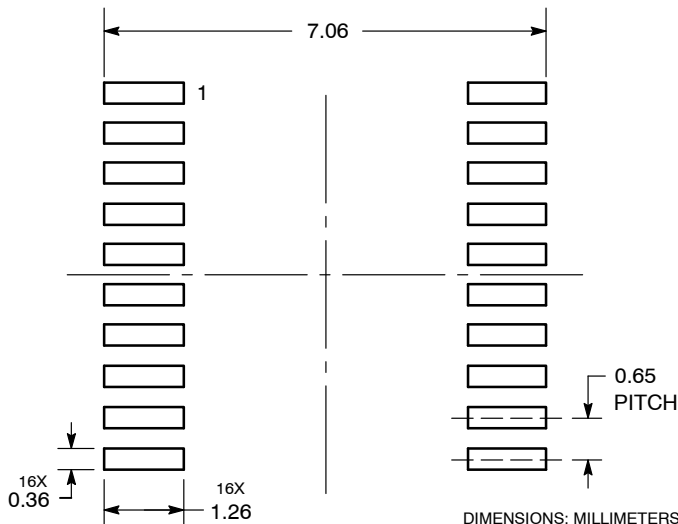
NOTES:

1. DIMENSIONING AND TOLERANCING PER ANSI Y14.5M, 1982.
2. CONTROLLING DIMENSION: MILLIMETER.
3. DIMENSION A DOES NOT INCLUDE MOLD FLASH, PROTRUSIONS OR GATE BURRS. MOLD FLASH OR GATE BURRS SHALL NOT EXCEED 0.15 (0.006) PER SIDE.
4. DIMENSION B DOES NOT INCLUDE INTERLEAD FLASH OR PROTRUSION. INTERLEAD FLASH OR PROTRUSION SHALL NOT EXCEED 0.25 (0.010) PER SIDE.
5. DIMENSION K DOES NOT INCLUDE DAMBAR PROTRUSION. ALLOWABLE DAMBAR PROTRUSION SHALL BE 0.08 (0.003) TOTAL IN EXCESS OF THE K DIMENSION AT MAXIMUM MATERIAL CONDITION.
6. TERMINAL NUMBERS ARE SHOWN FOR REFERENCE ONLY.
7. DIMENSION A AND B ARE TO BE DETERMINED AT DATUM PLANE -W-.

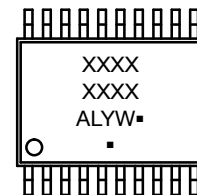
| DIM | MILLIMETERS | | INCHES | |
|-----|-------------|------|-----------|-------|
| | MIN | MAX | MIN | MAX |
| A | 6.40 | 6.60 | 0.252 | 0.260 |
| B | 4.30 | 4.50 | 0.169 | 0.177 |
| C | --- | 1.20 | --- | 0.047 |
| D | 0.05 | 0.15 | 0.002 | 0.006 |
| F | 0.50 | 0.75 | 0.020 | 0.030 |
| G | 0.65 BSC | | 0.026 BSC | |
| H | 0.27 | 0.37 | 0.011 | 0.015 |
| J | 0.09 | 0.20 | 0.004 | 0.008 |
| J1 | 0.09 | 0.16 | 0.004 | 0.006 |
| K | 0.19 | 0.30 | 0.007 | 0.012 |
| K1 | 0.19 | 0.25 | 0.007 | 0.010 |
| L | 6.40 BSC | | 0.252 BSC | |
| M | 0° | 8° | 0° | 8° |



SOLDERING FOOTPRINT



GENERIC MARKING DIAGRAM*



- A = Assembly Location
- L = Wafer Lot
- Y = Year
- W = Work Week
- = Pb-Free Package

(Note: Microdot may be in either location)

*This information is generic. Please refer to device data sheet for actual part marking. Pb-Free indicator, "G" or microdot "▪", may or may not be present.

| | | |
|------------------|-------------|--|
| DOCUMENT NUMBER: | 98ASH70169A | Electronic versions are uncontrolled except when accessed directly from the Document Repository. Printed versions are uncontrolled except when stamped "CONTROLLED COPY" in red. |
| DESCRIPTION: | TSSOP-20 WB | PAGE 1 OF 1 |

ON Semiconductor and ON are trademarks of Semiconductor Components Industries, LLC dba ON Semiconductor or its subsidiaries in the United States and/or other countries. ON Semiconductor reserves the right to make changes without further notice to any products herein. ON Semiconductor makes no warranty, representation or guarantee regarding the suitability of its products for any particular purpose, nor does ON Semiconductor assume any liability arising out of the application or use of any product or circuit, and specifically disclaims any and all liability, including without limitation special, consequential or incidental damages. ON Semiconductor does not convey any license under its patent rights nor the rights of others.

onsemi, **Onsemi**, and other names, marks, and brands are registered and/or common law trademarks of Semiconductor Components Industries, LLC dba "**onsemi**" or its affiliates and/or subsidiaries in the United States and/or other countries. **onsemi** owns the rights to a number of patents, trademarks, copyrights, trade secrets, and other intellectual property. A listing of **onsemi**'s product/patent coverage may be accessed at www.onsemi.com/site/pdf/Patent-Marking.pdf. **onsemi** reserves the right to make changes at any time to any products or information herein, without notice. The information herein is provided "as-is" and **onsemi** makes no warranty, representation or guarantee regarding the accuracy of the information, product features, availability, functionality, or suitability of its products for any particular purpose, nor does **onsemi** assume any liability arising out of the application or use of any product or circuit, and specifically disclaims any and all liability, including without limitation special, consequential or incidental damages. Buyer is responsible for its products and applications using **onsemi** products, including compliance with all laws, regulations and safety requirements or standards, regardless of any support or applications information provided by **onsemi**. "Typical" parameters which may be provided in **onsemi** data sheets and/or specifications can and do vary in different applications and actual performance may vary over time. All operating parameters, including "Typicals" must be validated for each customer application by customer's technical experts. **onsemi** does not convey any license under any of its intellectual property rights nor the rights of others. **onsemi** products are not designed, intended, or authorized for use as a critical component in life support systems or any FDA Class 3 medical devices or medical devices with a same or similar classification in a foreign jurisdiction or any devices intended for implantation in the human body. Should Buyer purchase or use **onsemi** products for any such unintended or unauthorized application, Buyer shall indemnify and hold **onsemi** and its officers, employees, subsidiaries, affiliates, and distributors harmless against all claims, costs, damages, and expenses, and reasonable attorney fees arising out of, directly or indirectly, any claim of personal injury or death associated with such unintended or unauthorized use, even if such claim alleges that **onsemi** was negligent regarding the design or manufacture of the part. **onsemi** is an Equal Opportunity/Affirmative Action Employer. This literature is subject to all applicable copyright laws and is not for resale in any manner.

ADDITIONAL INFORMATION

TECHNICAL PUBLICATIONS:

Technical Library: www.onsemi.com/design/resources/technical-documentation
onsemi Website: www.onsemi.com

ONLINE SUPPORT: www.onsemi.com/support

For additional information, please contact your local Sales Representative at www.onsemi.com/support/sales

