



Micro Commercial Components

Micro Commercial Components  
20736 Marilla Street Chatsworth  
CA 91311  
Phone: (818) 701-4933  
Fax: (818) 701-4939

# MC7812CT

## Three-Terminal Positive Voltage Regulators

### Features

- Output current in excess of 1.0 Ampere
- No external components required
- Internal thermal overload protection
- Internal short-circuit current limiting
- Output voltage offered in 2% tolerance
- Case Material: Molded Plastic. UL Flammability Classification Rating 94V-0

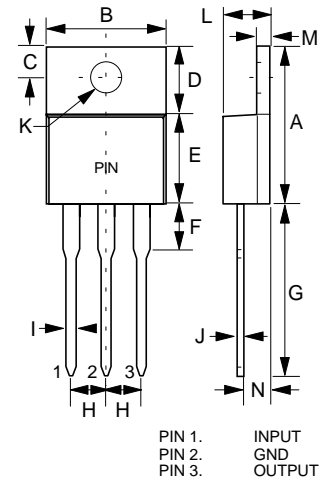
### Maximum Ratings @ T<sub>A</sub>=25°C, Unless Otherwise Noted

Parameter	Symbol	Value	Unit
Input Voltage	V <sub>I</sub>	30	V
Operating Ambient Temperature	P <sub>D</sub>	15	W
Operating Junction Temperature	T <sub>OPR</sub>	-20---+75	°C
Storage Temperature Range	T <sub>STG</sub>	-55---+125	°C

### Electrical Characteristics (V<sub>I</sub>=19V, I<sub>O</sub>=500mA, 0°C<T<sub>J</sub><125°C, C<sub>i</sub>=0.33uF, C<sub>o</sub>=0.1uF, Unless Otherwise Specified)

Parameter	Sym	Min	Typ	Max	Test conditions
Output Voltage	V <sub>O</sub>	11.76V	12V	12.24V	T <sub>J</sub> =25°C
		11.66V		12.34V	14.5V ≤ V <sub>I</sub> ≤ 30V, 5mA ≤ I <sub>O</sub> ≤ 1.0A, P <sub>D</sub> =15W
Load Regulation	ΔV <sub>O</sub>		12mV	240mV	5mA ≤ I <sub>O</sub> ≤ 1.5A, T <sub>J</sub> =25°C
			4.0mV	120mV	250mA ≤ I <sub>O</sub> ≤ 750mA, T <sub>J</sub> =25°C
Line regulation	ΔV <sub>O</sub>		10mV	240mV	14.5V ≤ V <sub>I</sub> ≤ 30V, T <sub>J</sub> =25°C
			3.0mV	120mV	16V ≤ V <sub>I</sub> ≤ 22V, T <sub>J</sub> =25°C
Quiescent Current	I <sub>q</sub>		4.3mA	8.0mA	T <sub>J</sub> =25°C, I <sub>O</sub> =0
Quiescent Current Change	ΔI <sub>q</sub>			1.0mA 0.5mA	14.5V ≤ V <sub>I</sub> ≤ 30V 5mA ≤ I <sub>O</sub> ≤ 1.0A
Output Noise Voltage	V <sub>N</sub>		75μV		10Hz ≤ f ≤ 100KHz T <sub>J</sub> =25°C
Ripple Rejection	RR	55dB	71dB		f=120Hz
Dropout Voltage	V <sub>d</sub>		2.0V		I <sub>O</sub> =1.0A, T <sub>J</sub> =25°C
Output Short Circuit Current	R <sub>o</sub>		18mohm		f=1.0KHz
Output Short Circuit Current	I <sub>os</sub>		350mA		T <sub>J</sub> =25°C
Peak Output Current	I <sub>opeak</sub>		2.2A		T <sub>J</sub> =25°C
Temperature Coefficient of Output voltage	ΔV <sub>O</sub> /ΔT <sub>J</sub>		1.0mV/°C		0°C ≤ T <sub>J</sub> ≤ 125°C, I <sub>O</sub> =5mA

### TO-220

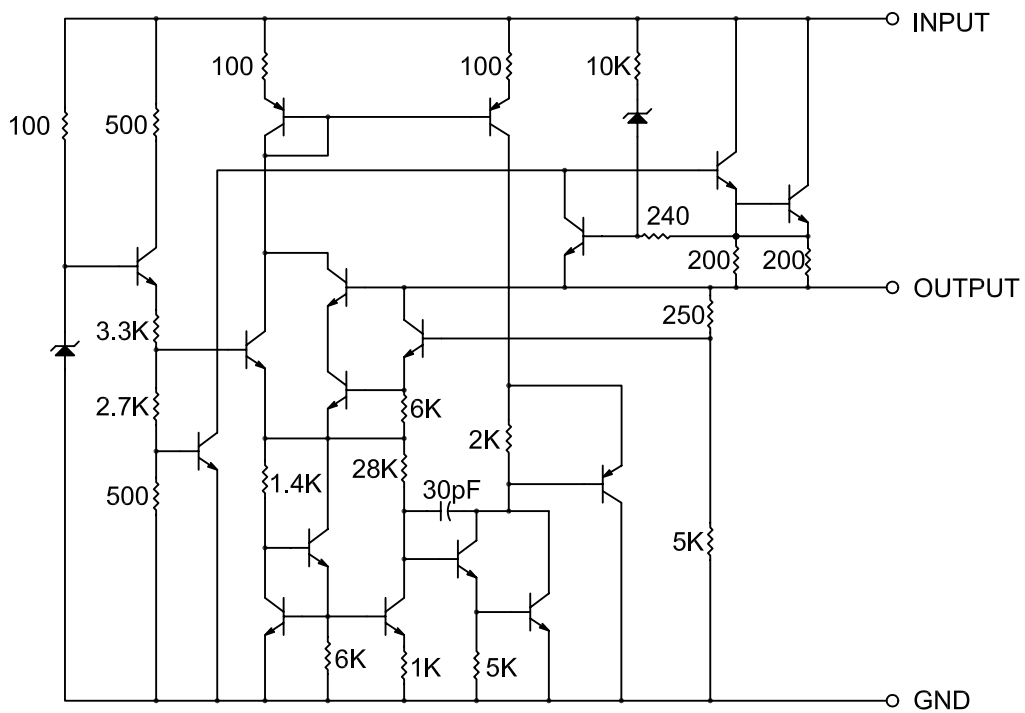


#### DIMENSIONS

DIM	INCHES		MM		NOTE
	MIN	MAX	MIN	MAX	
A	.560	.625	14.22	15.88	
B	.380	.420	9.65	10.67	
C	.100	.135	2.54	3.43	
D	.230	.270	5.84	6.86	
E	.380	.420	9.65	10.67	
F	-----	.250	-----	6.35	
G	.500	.580	12.70	14.73	
H	.090	.110	2.29	2.79	
I	.020	.045	0.51	1.14	
J	.012	.025	0.30	0.64	
K	.139	.161	3.53	4.09	∅
L	.140	.190	3.56	4.83	
M	.045	.055	1.14	1.40	
N	.080	.115	2.03	2.92	

# MC7812CT

## Representation Schematic Diagram





Micro Commercial Components

## Ordering Information

Device	Packing
(Part Number)-BP	Bulk;1Kpcs/Box

**\*\*\*IMPORTANT NOTICE\*\*\***

*Micro Commercial Components Corp* . reserves the right to make changes without further notice to any product herein to make corrections, modifications , enhancements , improvements , or other changes .  
*Micro Commercial Components Corp* . does not assume any liability arising out of the application or use of any product described herein; neither does it convey any license under its patent rights ,nor the rights of others . The user of products in such applications shall assume all risks of such use and will agree to hold *Micro Commercial Components Corp* . and all the companies whose products are represented on our website, harmless against all damages.

**\*\*\*APPLICATIONS DISCLAIMER\*\*\***

Products offer by *Micro Commercial Components Corp* . are not intended for use in Medical, Aerospace or Military Applications.

---

[www.mccsemi.com](http://www.mccsemi.com)