

MC78BC00 Series

Advance Information

Micropower Voltage Regulator

The MC78BC00 voltage regulators are specifically designed to be used with an external power transistor to deliver high current with high voltage accuracy and low quiescent current.

The MC78BC00 series are devices suitable for constructing regulators with ultra-low dropout voltage and output current in the range of several tens of mA to hundreds of mA. These devices have a chip enable function, which minimizes the standby mode current drain. Each of these devices contains a voltage reference unit, an error amplifier, a driver transistor and feedback resistors. These devices are available in the SOT-23, 5 pin surface mount packages.

These devices are ideally suited for battery powered equipment, and power sources for hand-held audio instruments, communication equipment and domestic appliances.

MC78BC00 Series Features:

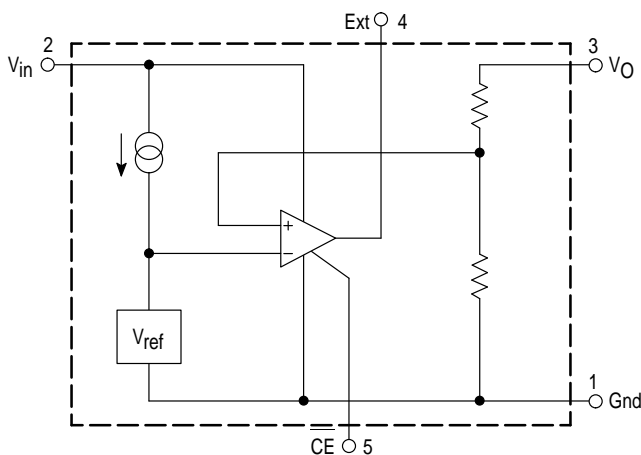
- Ultra-Low Supply Current (50 μ A)
- Standby Mode (0.2 μ A)
- Ultra-Low Dropout Voltage (0.1 V with External Transistor and $I_O = 100$ mA)
- Excellent Line Regulation (Typically 0.1%/V)
- High Accuracy Output Voltage ($\pm 2.5\%$)

ORDERING INFORMATION

Device	Output Voltage	Operating Temperature Range	Package
MC78BC30NTR	3.0	$T_A = -30^\circ$ to $+80^\circ\text{C}$	SOT-23
MC78BC33NTR	3.3		
MC78BC40NTR	4.0		
MC78BC50NTR	5.0		

Other voltages from 2.0 to 6.0 V, in 0.1 V increments, are available. Consult factory for information.

Representative Block Diagram



This device contains 13 active transistors.

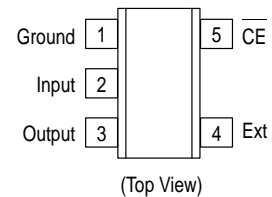
VOLTAGE REGULATOR WITH EXTERNAL POWER TRANSISTOR

SEMICONDUCTOR TECHNICAL DATA

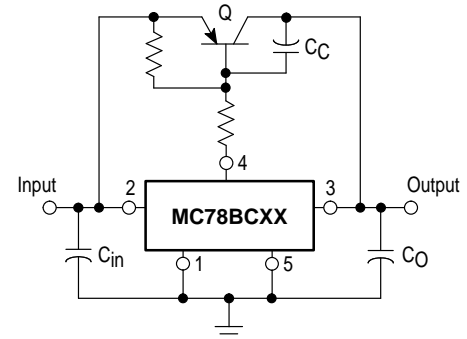


N SUFFIX
PLASTIC PACKAGE
CASE 1212
(SOT-23)

PIN CONNECTIONS



Standard Application



MC78BC00 Series

MAXIMUM RATINGS ($T_C = 25^\circ\text{C}$, unless otherwise noted.)

Rating	Symbol	Value	Unit
Input Voltage	V_{CC}	10	Vdc
Power Dissipation and Thermal Characteristics Maximum Power Dissipation Case 1212 (SOT-23) H Suffix Thermal Resistance, Junction-to-Ambient	P_D $R_{\theta JA}$	150 333	mW $^\circ\text{C}/\text{W}$
Operating Junction Temperature	T_J	125	$^\circ\text{C}$
Operating Ambient Temperature	T_A	-30 to +80	$^\circ\text{C}$
Storage Temperature Range	T_{stg}	-40 to +125	$^\circ\text{C}$

NOTE: ESD data available upon request.

ELECTRICAL CHARACTERISTICS ($V_{in} = V_O + 1.0\text{ V}$, $I_O = 50\text{ mA}$, $T_J = 25^\circ\text{C}$ [Note 1], unless otherwise noted.)

Characteristic	Symbol	Min	Typ	Max	Unit
Output Voltage MC78BC30NTR MC78BC33NTR MC78BC40NTR MC78BC50NTR	V_O	2.925 3.218 3.900 4.875	3.0 3.3 4.0 5.0	3.075 3.382 4.100 5.125	V
Line Regulation $V_O + 0.5\text{ V} \leq V_{in} \leq 8.0\text{ V}$	Reg _{line}	0	0.1	0.3	mV
Load Regulation $V_{in} - V_O = 1.0\text{ V}$ $1.0\text{ mA} \leq I_O \leq 100\text{ mA}$	Reg _{load}	-	40	60	mV
Output Current (Note 2) $V_{in} - V_O = 1.0\text{ V}$	I_O	-	1000	-	mA
Dropout Voltage $I_O = 100\text{ mA}$	$V_{in} - V_O$	-	100	200	mV
Supply Current $V_{in} = 8.0\text{ V}$ $V_{in} - V_O = 1.0\text{ V}$ $I_O = 0$ (at no load)	I_{SS}	-	50	80	μA
Supply Current (Standby) $V_{in} = 8.0\text{ V}$	$I_{standby}$	0.1	0.2	1.0	μA
Ext Leakage Current	I_{LK}	-	-	0.5	μA
Chip Enable Input Logic Voltage Logic "0" (Regulator "On") Logic "1" (Regulator "Off")	V_{CE}	0 1.5	- -	0.25 8.0	V
Chip Enable Input Current $V_{CE} = 0.25\text{ V}$ $V_{CE} = 1.5\text{ V}$	I_{CEL}	-5.0 -	-3.0 -	-0.1 0.1	μA
Output Voltage Temperature Coefficient	T_C	-	± 100	-	ppm/ $^\circ\text{C}$

NOTES: 1. Low duty pulse techniques are used during test to maintain junction temperature as close to ambient as possible.

2. The output current depends upon the performance of External PNP Transistor. Use External PNP Transistor of a low saturation type, with an H_{FE} of 100 or more.

MC78BC00 Series

DEFINITIONS

Dropout Voltage – The input/output voltage differential at which the regulator output no longer maintains regulation against further reductions in input voltage. Measured when the output drops 100 mV below its nominal value (which is measured at 1.0 V differential), dropout voltage is affected by junction temperature, load current and minimum input supply requirements.

Line Regulation – The change in output voltage for a change in input voltage. The measurement is made under conditions of low dissipation or by using pulse techniques

such that average chip temperature is not significantly affected.

Load Regulation – The change in output voltage for a change in load current at constant chip temperature.

Maximum Power Dissipation – The maximum total device dissipation for which the regulator will operate within specifications.

Supply Current – Current which is used to operate the regulator chip and is not delivered to the load.

Figure 1. Output Voltage versus Input Voltage

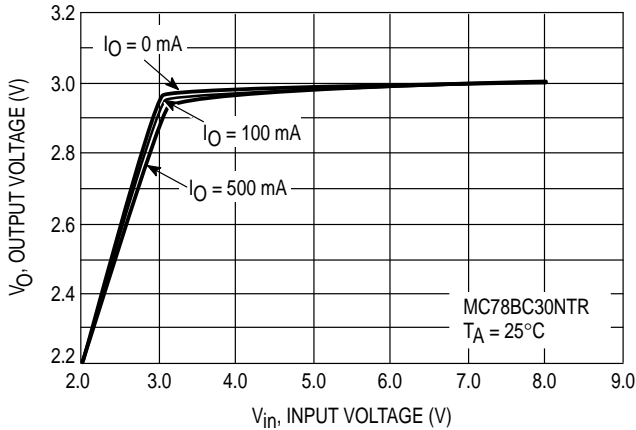


Figure 2. Output Voltage versus Output Current

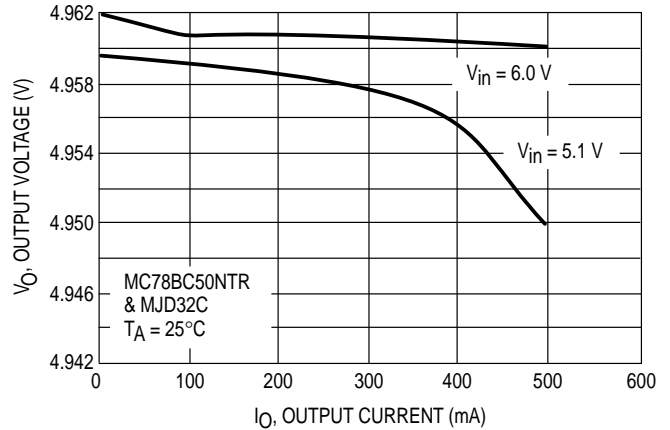


Figure 3. Dropout Voltage versus Output Current

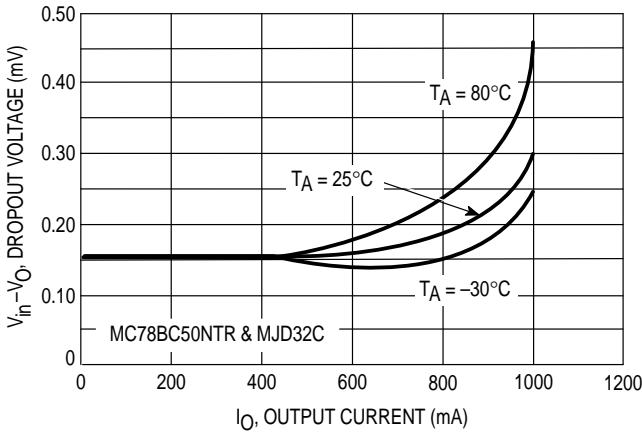
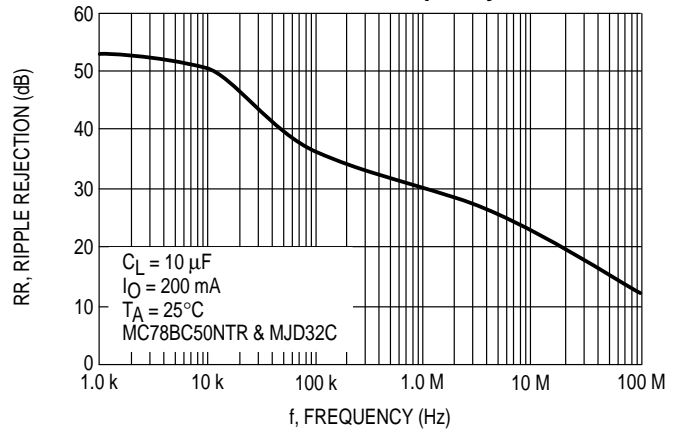


Figure 4. Ripple Rejection as a Function of Frequency



MC78BC00 Series

Figure 5. Output Voltage versus Temperature

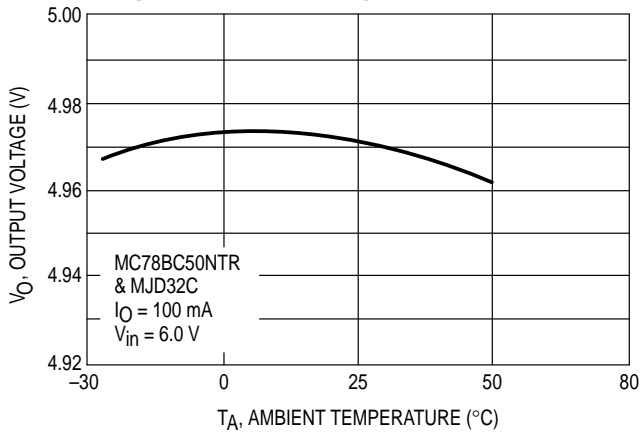


Figure 6. Supply Current versus Temperature

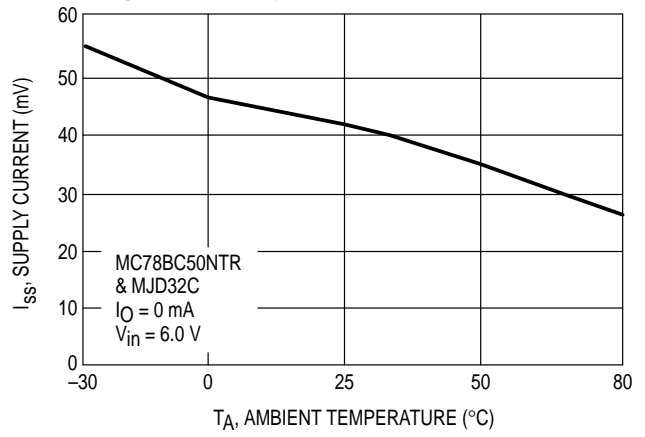


Figure 7. Line Transient Response

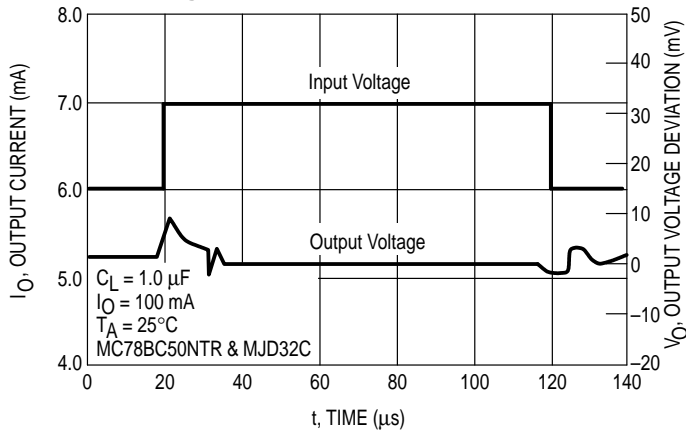
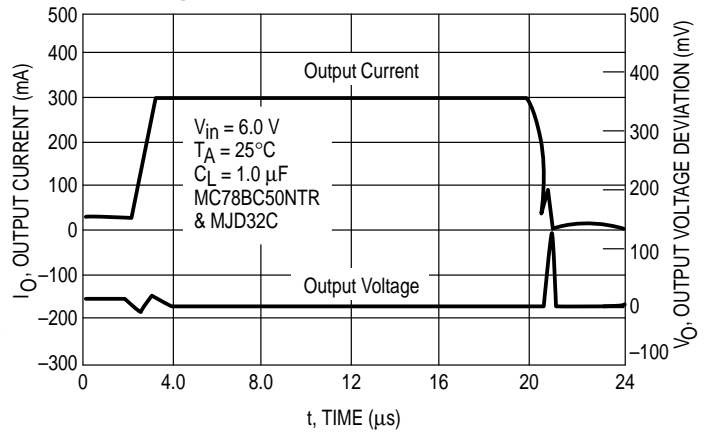


Figure 8. Load Transient Response



MC78BC00 Series

APPLICATIONS INFORMATION

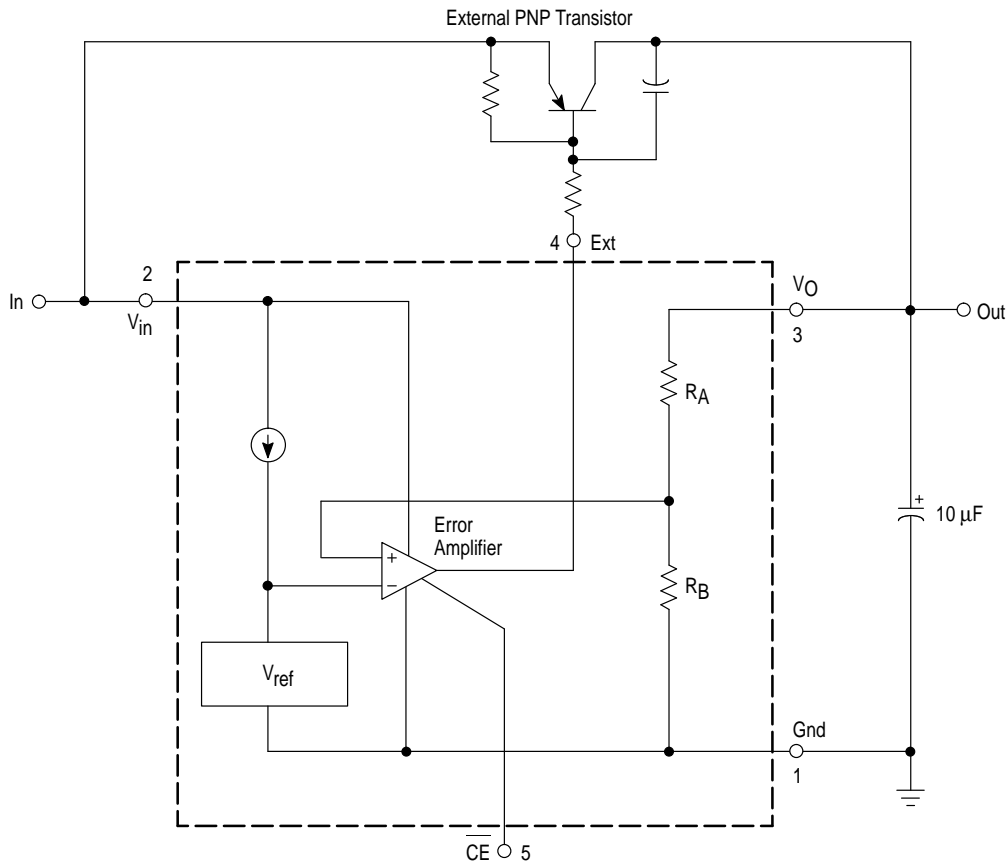
Introduction

The MC78BC00 series of micropower voltage regulators are specifically designed for ultra-low dropout voltage and an output current which ranges from several tens of mA to several hundreds of mA making them ideal for battery-powered equipment. These regulators also have a chip enable function which minimizes supply current in stand-by mode. An input bypass capacitor is recommended if the regulator is located an appreciable distance (≥ 4 inches) from the input voltage source. These regulators require a $10\ \mu\text{F}$ capacitance between the output terminal and ground for stability. Most types of aluminum, tantalum or multilayer ceramic will perform adequately. Solid tantalums or other appropriate capacitors are recommended for operation

below 25°C . The bypass capacitors should be mounted with the shortest possible leads or track lengths directly across the regulator input and output terminals.

With economical electrolytic capacitors, cold temperature operation can pose a serious stability problem. As the electrolyte freezes, around -30°C , the capacitance will decrease and the equivalent series resistance (ESR) will increase drastically, causing the circuit to oscillate. Quality electrolytic capacitors with extended temperature ranges of -40° to $+85^\circ\text{C}$ are readily available. Solid tantalum capacitors may be the better choice if small size is a requirement. However, a maximum ESR limit of $3.0\ \Omega$ must be observed over temperature to maintain stability.

Figure 9. Typical Operation



MC78BC00 Series

External PNP Transistor

The external pin of this IC is protected by a current limit circuit from the destruction caused by excess current. The R2 resistor shown in Figure 10 is used for the protection of the

external transistor, although this circuit can operate without the resistor. Resistor R2 should be determined via the input voltage, output voltage, output current, temperature and the H_{FE} of the external pass transistor.

Figure 10. External PNP

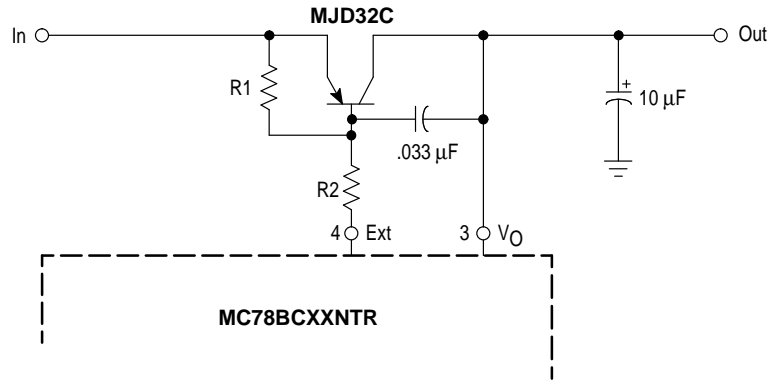
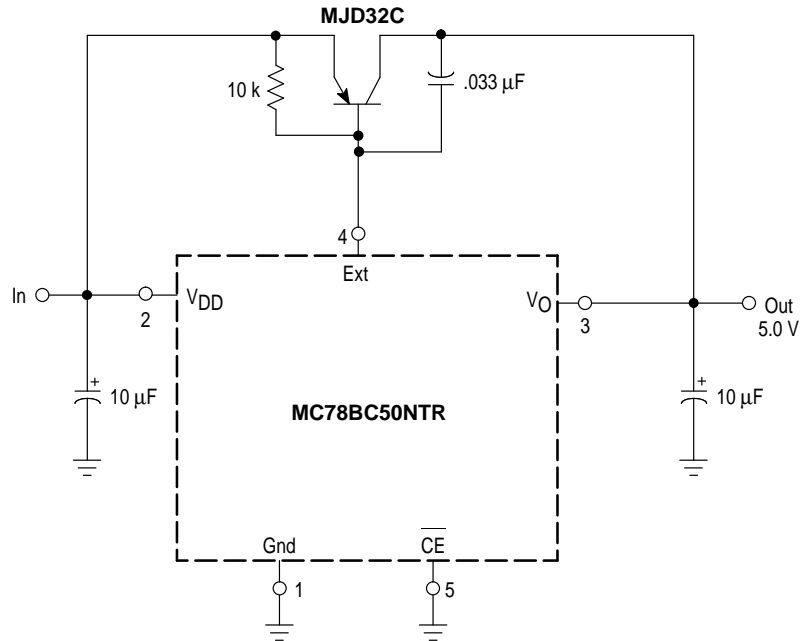


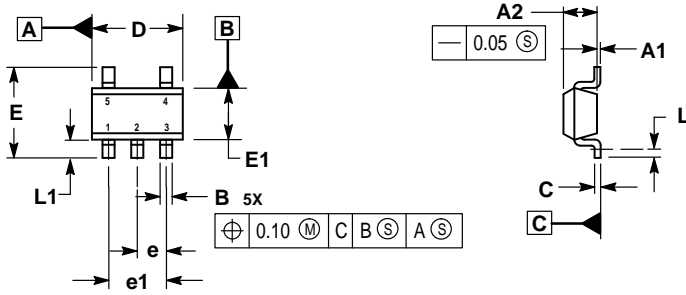
Figure 11. Typical Application



MC78BC00 Series

OUTLINE DIMENSIONS


N SUFFIX
 PLASTIC PACKAGE
 CASE 1212
 (SOT-23)
 ISSUE O



- NOTES:
1. DIMENSIONS ARE IN MILLIMETERS.
 2. INTERPRET DIMENSIONS AND TOLERANCES PER ASME Y14.5M, 1994.
 3. DATUM C IS A SEATING PLANE.

MILLIMETERS		
DIM	MIN	MAX
A1	0.00	0.10
A2	1.00	1.30
B	0.30	0.50
C	0.10	0.25
D	2.80	3.00
E	2.50	3.10
E1	1.50	1.80
e	0.95 BSC	
e1	1.90 BSC	
L	0.20	—
L1	0.45	0.75

MC78BC00 Series

Motorola reserves the right to make changes without further notice to any products herein. Motorola makes no warranty, representation or guarantee regarding the suitability of its products for any particular purpose, nor does Motorola assume any liability arising out of the application or use of any product or circuit, and specifically disclaims any and all liability, including without limitation consequential or incidental damages. "Typical" parameters which may be provided in Motorola data sheets and/or specifications can and do vary in different applications and actual performance may vary over time. All operating parameters, including "Typicals" must be validated for each customer application by customer's technical experts. Motorola does not convey any license under its patent rights nor the rights of others. Motorola products are not designed, intended, or authorized for use as components in systems intended for surgical implant into the body, or other applications intended to support or sustain life, or for any other application in which the failure of the Motorola product could create a situation where personal injury or death may occur. Should Buyer purchase or use Motorola products for any such unintended or unauthorized application, Buyer shall indemnify and hold Motorola and its officers, employees, subsidiaries, affiliates, and distributors harmless against all claims, costs, damages, and expenses, and reasonable attorney fees arising out of, directly or indirectly, any claim of personal injury or death associated with such unintended or unauthorized use, even if such claim alleges that Motorola was negligent regarding the design or manufacture of the part. Motorola and  are registered trademarks of Motorola, Inc. Motorola, Inc. is an Equal Opportunity/Affirmative Action Employer.

Mfax is a trademark of Motorola, Inc.

How to reach us:

USA/EUROPE/Locations Not Listed: Motorola Literature Distribution;
P.O. Box 5405, Denver, Colorado 80217. 303-675-2140 or 1-800-441-2447

JAPAN: Nippon Motorola Ltd.; Tatsumi-SPD-JLDC, 6F Seibu-Butsuryu-Center,
3-14-2 Tatsumi Koto-Ku, Tokyo 135, Japan. 81-3-3521-8315

Mfax™: RMFAX0@email.sps.mot.com – TOUCHTONE 602-244-6609
INTERNET: <http://Design-NET.com>

ASIA/PACIFIC: Motorola Semiconductors H.K. Ltd.; 8B Tai Ping Industrial Park,
51 Ting Kok Road, Tai Po, N.T., Hong Kong. 852-26629298

