

Obsolete

M.C.C.

Micro Commercial Components

Micro Commercial Components
20736 Marilla Street Chatsworth
CA91311
Phone: (818)-701-4933
Fax: (818)-701-4939

Features

- Internal Short Circuit Current Limiting
Internal Thermal Overload Protection
No External Components Required
Case Material:Molded Plastic. UL Flammability
Classification Rating 94-0 and MSL Rating 1
Lead Free Finish/RoHS Compliant ("P" Suffix designates
RoHS Compliant. See ordering information)

Maximum Ratings

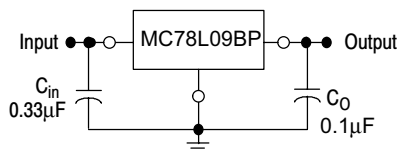
Table with 4 columns: Parameter, Symbol, Value, Unit. Rows include Input Voltage (V1=30V), Operating Junction Temperature (TOPR=0 to +120C), and Storage Temperature Range (TSTG=-55 to +150C).

Electrical Characteristics (Vi=15V, Io=40mA, 0C < Tj < 125C, C1=0.33uF, Co=0.1uF, unless otherwise specified)

Table with 6 columns: Parameter, Sym, Min, Typ, Max, Test conditions. Rows include Output Voltage (Vo), Load Regulation (delta Vo), Line regulation (delta Vo), Quiescent Current (Iq), Output Noise Voltage (VN), Ripple Rejection (RR), and Dropout Voltage (Vd).

\*Note: Bypass Capacitors are recommended for optimum stability and transient response and should be located as close as possible to the regulators

Typical Application:



MC78L09BP

Three-Terminal Low Current Positive Voltage Regulator

TO-92

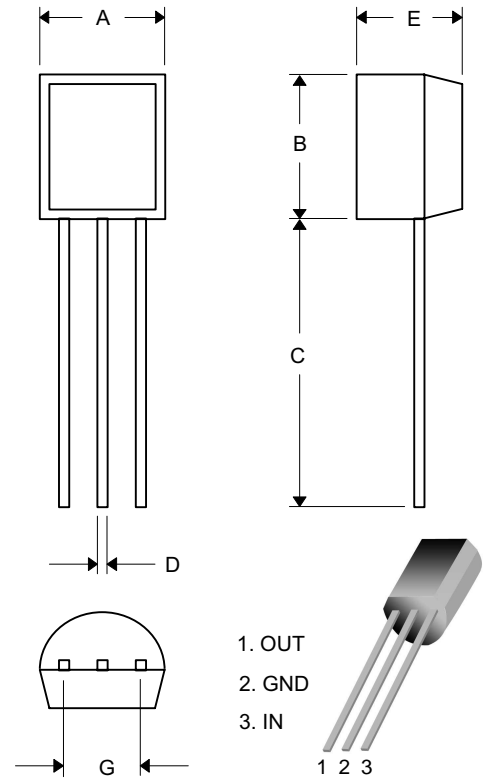


Table titled 'DIMENSIONS' with columns for DIM, INCHES (MIN, MAX), MM (MIN, MAX), and NOTE. It lists dimensions A through G with their respective minimum and maximum values in both inches and millimeters.



Micro Commercial Components

## Ordering Information

Device	Packing
(Part Number)-AP	Ammo Packing;2Kpcs/AmmoBox
(Part Number)-BP	Bulk;1Kpcs/Bag

**\*\*\*IMPORTANT NOTICE\*\*\***

*Micro Commercial Components Corp.* reserves the right to make changes without further notice to any product herein to make corrections, modifications, enhancements, improvements, or other changes. *Micro Commercial Components Corp.* does not assume any liability arising out of the application or use of any product described herein; neither does it convey any license under its patent rights, nor the rights of others. The user of products in such applications shall assume all risks of such use and will agree to hold *Micro Commercial Components Corp.* and all the companies whose products are represented on our website, harmless against all damages.

**\*\*\*LIFE SUPPORT\*\*\***

MCC's products are not authorized for use as critical components in life support devices or systems without the express written approval of Micro Commercial Components Corporation.