

MC800 Series (0 to +75°C)

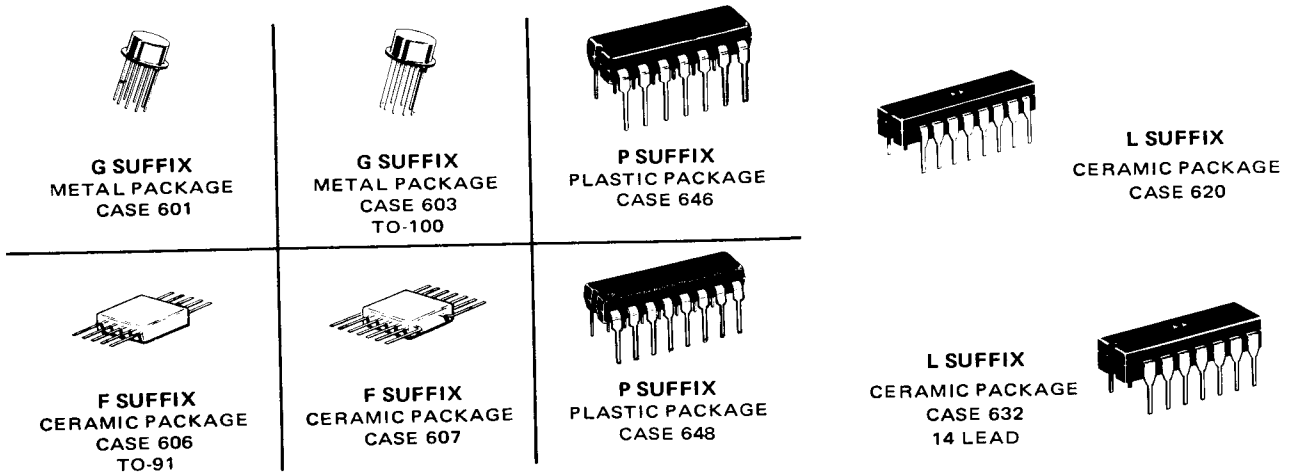
MC900 Series (-55 to +125°C)

NEW MRTL AND mW MRTL

The new MRTL and mW MRTL 800 Series described in this selector guide are now designed to exceed both the old MC700 and the old MC800 Series electrical characteristics. This has been accomplished by combining the critical electrical parameters of both the MC700 and MC800 Series into one standard series, the new MC800 Series.

Medium-power MRTL integrated circuits provide a broad line of low-cost, multi-function, digital circuits. Typical gate speed is 12 ns, with power dissipation averages of 19 mW (input high) and 5.0 mW (inputs low) per logic node. Devices from the MC800 Series have loading factors normalized for compatibility with the low-power mW MRTL devices for ease in mixing the two power levels in a system.

Low-power mW MRTL integrated circuits are designed for use where minimal system power consumption is desired. Typical gate speed is 27 ns, with typical power dissipation of 6.5 mW (input high) and 0.5 mW (inputs low) per logic node. Devices from the mW MRTL Series can be mixed with devices from the medium-power MRTL Series which has loading factors normalized for compatibility.



Functions	MRTL	mW MRTL	Type 1 MC800 Series 0 to +75°C	MC800 Series Case	Type 1 MC900 Series -55 to +125°C	MC900 Series Case	Loading Factors Each Output			tp ns typ	Power Dissipation	
							MRTL With MRTL	MRTL With MRTL	mW MRTL With mW MRTL		MC800 P&L Series	MC900 F&G Series
Buffer	*				MC900	601,606	80	25	-	20		16/45 2
Counter Adapter	*				MC901	601,606	16	5	-	22		55
R.S. Flip-Flop	*				MC902	601,606	13	4	-	14		22
3-Input NOR Gate	*				MC903	601,606	16	5	-	12		19/5 2
Half Adder	*				MC904	601,606	16	5	-	14		45
Half-Shift Register	*				MC905	601,606	13	4	-	22		53
Half-Shift Register (w/o Inverter)	*				MC906	601,606	13	4	-	22		36
4-Input NOR Gate	*				MC907	601,606	16	5	-	12		19/5 2
Half-Adder	*	*			MC908	601,606	-	-	4	60		14/8 5 2
2-Input Buffer	*	*			MC909	601,606	-	-	30	57		5.5/16 2
Dual 3-Input (NOR Gate)	*	*			MC910	601,606	-	-	4	27		8.0/1.0 2
4-Input OR/NOR Gate	*	*			MC911	601,606	-	-	4	60		6.0/3 5 2
Half-Adder	*	*			MC912	601,606	-	-	4	66		11.5/5 5 2
Type D-Flip-Flop	*	*			MC913	601,606	-	-	3	75		17.5/13 5
Dual 2-Input NOR Gate	*	*			MC914	601,606	16	5	-	12		38/10 2
Dual 3-Input NOR Gate	*	*	MC815	646,632	MC915	603,606	16	5	-	12	55/15 2	38.10 2
J.K. Flip-Flop	*	*	MC816	646,632	MC916	601,606	10	3	-	30	91/79 3	62.54 3
Quad 2-Input NOR Gate	*	*	MC817	646,632	MC917	607	-	-	4	27	20/5.0 2	16.2 5 2
Dual 3-Input NOR Gate	*	*	MC818	646,632	MC918	603,606	-	-	4	27	12/2.5 2	9.5 1.0 2
Dual 4-Input NOR Gate	*	*	MC819	646,632	MC919	607	-	-	4	27	13/2.5 2	11.1 0 2
J.K. Flip-Flop	*	*			MC920	601,606	-	-	2	50		15.5 10 3
Dual 2-Input Gate Expander	*	*			MC921	601,606	-	-	-	27		3.0 - 2
J.K. Flip-Flop	*	*			MC922	603,606	-	-	4	70	24/20 3	17.5 13 3
Quad 2-Input NOR Gate	*	*	MC822	646,632	MC924	607	16	5	-	12	100/30 2	76 2C 2
Dual 4-Input NOR Gate	*	*	MC824,A	646,632	MC925	607	16	5	-	12	60/15 2	38.1C 2

Functions	MRTL	mW MRTL	Type 1 MC800 Series 0 to +75°C	MC800 Series Case	Type 1 MC900 Series -55 to +125°C	MC900 Series Case	Loading Factors Each Output			tp ns typ	Power		Dissipation	
							MRTL With mW MRTL	MRTL With MRTL	mW MRTL With mW MRTL		MC800 P&L Series	MC900 F&G Series		
J.K. Flip-Flop	*		MC826	646,632	MC926	603,606	16	5	—	35	100/86	3	130/65	3
Wuad Inverter	*				MC927	603,606	16	5	—	12			76/20	2
5-Input NOR Gate	*	*			MC928	601,606	—	—	4	27			6.5/0.5	2
5-Input NOR Gate	*				MC929	601,606	16	5	—	12			19/5	2
Dual Exclusive (OR/NOR Gate)	*	*	MC864	646,632	—	—	—	—	4	—	25			
Quad Latch	*	*	MC867,A	648,620	—	—	—	—	9	50	110			
BCD to Decimal Decoder	*	*	MC870	648,620	—	—	—	—	7	36	100/—			
Quad Exclusive OR Gate	*	*	MC871	646,632	MC971	607	16	5	—	12	72		28	
J.K. Flip-Flop	*	*			MC974	601,606	16	5	—	35			130/65	3
Dual Half-Adder	*	*	MC875	646,632	MC975	607	16	5	2	20	120		90	
Dual J.K. Flip-Flop	*	*	MC876	646,632	MC976	607	—	—	—	50	41/29	3	31/20	3
Binary Up Counter	*	*	MC877	646,632	—	—	10	3	—	—	180			
Dual Type D Flip-Flop	*	*	MC878	646,632	MC978	607	—	—	3	60	48/35	5	35/26	5
1 J.K. Flip-Flop, 1 (Expander, 2 Buffers)	*	*	MC879	646,632	—	—	—	—	—	—	141/124	4		
Decade Up Counter	*	*	MC880	646,632	—	—	10	3	—	—	250			
Dual Buffer	*	*			MC891	601,606	—	—	30	57			11/32	2
J.K. Flip-Flop	*	*			MC892	601,606	—	—	2	80			15/13	3
Dual Half-Shift Register	*	*	MC883	646,632	MC983	607	13	4	—	22	140		110	
Dual Half-Shift Register (w/Inverter)	*	*	MC884	646,632	MC984	607	13	4	—	22	100		75	
Quad 2-Input Expander	*	*	MC885,A	646,632	MC985	607	—	—	—	12	20/—	2	17/—	2
Dual 4-Input Expander	*	*	MC886	646,632	MC986	607	—	—	—	12	20/—	2	17/—	2
1 J.K. Flip-Flop, 1 Inverter (2, Buffers)	*	*	MC887	646,632	—	—	—	—	—	—	138/132	4		
Dual 3-Input Buffer (Non-Inverting)	*	*	MC888	646,632	MC988	607	80	25	—	24	145/56	2	128/42	2
Hex Inverter	*	*	MC889,A	646,632	MC989	607	16	5	—	12	130/15	2	76/20	2
Dual J.K. Flip-Flop	*	*	MC890	646,632	MC990	607	10	3	—	35	182/158	3	124/108	3
Dual J.K. Flip-Flop	*	*	MC891	646,632	MC991	607	16	5	—	40	190/160	3	155/130	3
Triple 3-Input NOR Gate	*	*	MC892	646,632	MC992	607	16	5	—	12	82/24	2	57/15	2
Triple 3-Input NOR Gate	*	*	MC893	646,632	MC993	607	—	—	4	27	18/3.5	2	14/2.0	2
Serial-Parallel Shift Register	*	*	MC894	646,632	—	—	16	5	—	55	225			
Dual Full Adder	*	*	MC896	646,632	MC996	607	16	5	—	60	225		190	
Dual Full Subtractor	*	*	MC897	646,632	MC997	607	16	5	—	60	225		190	
Dual 2-Input Buffer	*	*	MC898	646,632	MC998	607	—	—	30	57	14/46	2	11/32	2
Dual Buffer	*	*	MC899	646,632	MC999	603, 606	80	25	—	15	50/90	2	32/90	2
Dual 4-Channel (Data Selector)	*	*	MC9801	648,620	—	—	16	5	—	25	100			
Dual J.K. Flip-Flop	*	*	MC9802	646,632	—	—	10	3	—	35	182/158	3		
4-Bit Parallel Full Adder	*	*	MC9804	648,620	—	—	6	2	—	125	265			
Dual 4-Channel (Data Distributor)	*	*	MC9807	648,620	—	—	16	5	—	25	150			
Quad Schmitt Trigger	*	*	MC9809	646,632	—	—	16	5	—	30	95			
Quad 2-Input AND Gate	*	*	MC9813	646,632	—	—	16	5	—	28	100			
Quad 2-Input NAND Gate	*	*	MC9814	646,632	—	—	16	5	—	35	145			
Quad 2-Input OR Gate	*	*	MC9815	646,632	—	—	16	5	—	40	28/100	2		
Hex Inverter	*	*	MC9818	646,632	—	—	—	—	4	27	7.0/3.0	2		
Hex Expander	*	*	MC9819,A	646,632	—	—	—	—	—	12	13/—	2		
Hex Expander	*	*	MC9820	646,632	—	—	—	—	—	12	30/—	2		
Quad 2-Input Expander	*	*	MC9821	646,632	—	—	—	—	—	27	20/—	2		
Dual J.K. Flip-Flop	*	*	MC9822	646,632	—	—	—	—	4	75	24/—	3		
Quad 2-Input AND Gate	*	*	MC9823	646,632	—	—	—	—	4	50	12	6		
Quad 2-Input NAND Gate	*	*	MC9824	646,632	—	—	—	—	4	50	20/5.0	2		
Quad 2-Input OR Gate	*	*	MC9825	646,632	—	—	—	—	4	50	-/7.0	2		

"A" Suffix devices have insured capability to drive at least one M TTL load or two MD TL loads.

- 1 G suffix denotes Metal, F suffix Flat Package, P suffix denotes Plastic Package, L suffix denotes dual inline Ceramic Package.
- 2 Inputs High/Inputs Low unless otherwise noted.
- 3 Only clock inputs High/Input Low.
- 4 Only clock inputs high on Flip-Flop, other elements High/Inputs Low.
- 5 Direct Set & Direct Clear Low, all other inputs high/all inputs low.
- 6 One input high/one input low.

$V_{CC} = 3.0V \pm 10\%$ for MC900 Series devices.

$V_{CC} = 3.6V \pm 10\%$ for MC800 Series devices.

Power Dissipation and t_p typicals at $T_A = 25$

INSTRUCTIONS FOR USE OF PACKAGE INFORMATION TABLE

MC900 and MC800 Series Low-Power mW MRTL devices are available in the packages pictured in the following table as indicated on the line following each device type number. Plastic packaged devices are available in the MC800 Series only.

Pin numbers for any of the following devices and packages may be determined by:

1. Locate the device as shown in the logic diagrams appearing on the preceding pages (grouped by function). Note the alpha pin designations for the device.
2. Find the device type number in the left hand columns of the "Package Information Table".
3. The letters in the columns following the type number and below the drawing of the desired package indicate the correct pin numbers for the specific package by their numbered positions beneath the package drawing. (These letters are the same as indicated on the logic diagram for the device.)
4. Notes: Blanks in an area following the type number and directly beneath a package indicate the device is not available in that package. A dash indicates this pin or lead is not connected nor otherwise utilized for this device and package. * indicates this pin number is the ground connection for this device and package. # indicates this pin number is the V_{CC} connection for this device and package.

PACKAGE INFORMATION TABLE

Type No.	Pin No.	L OR P SUFFIX CERAMIC & PLASTIC PACKAGES																F SUFFIX CERAMIC PACKAGES														G SUFFIX METAL PACKAGES																																									
		1	2	3	4	5	6	7	8	9	10	11	12	13	14	15	16	1	2	3	4	5	6	7	8	9	10	11	12	13	14	1	2	3	4	5	6	7	8	9	10																																
MC908																																																																									
MC909																																																																									
MC910																																																																									
MC911																																																																									
MC912																																																																									
MC913																																																																									
MC817	MC917	a	b	c	*	e	f	g	h	i	j	=	l	m	n	a	b	c	f	g	e	*	h	i	j	n	l	m	=	b	l	m	c	*	e	f	i	j	=	a	b	d	*	f	g	i	#																										
MC818	MC918	-	b	c	*	e	f	-	-	i	j	=	l	m	-	b	l	m	e	*	f	i	j	c	=	b	l	m	c	*	e	f	i	j	=	a	b	d	*	f	g	i	#																														
MC819	MC919	-	b	c	*	e	f	g	-	i	j	=	l	m	n	l	b	c	-	m	n	*	e	f	g	-	i	j	=	a	b	d	*	f	g	i	#																																				
	MC920															a	b	-	d	*	f	g	-	i	=	a	b	d	*	f	g	i	#																																								
	MC921															a	b	-	d	*	f	g	-	i	#	a	b	d	*	f	g	i	#																																								
MC822	MC922	-	b	c	*	-	f	-	-	i	j	=	l	m	-	l	m	b	c	*	-	f	i	j	#	l	m	b	c	*	-	f	i	j	=	a	b	d	*	f	g	i	#																														
	MC928															a	b	-	d	*	f	g	-	i	#	a	b	d	*	f	g	i	#																																								
MC864	-	a	b	c	*	e	f	g	h	i	j	=	l	m	n																																																										
MC867	-	a	b	c	*	e	f	g	h	i	j	k	=	n	p	q																																																									
MC870	-	a	b	c	*	e	f	g	h	i	j	k	l	=	n	p	q																																																								
MC876	MC976	a	b	c	*	e	f	g	h	i	j	=	l	m	n	l	m	n	a	b	c	*	e	f	g	h	i	j	#																																												
MC878	MC978	a	b	c	*	e	f	g	h	i	j	=	l	m	n	l	m	n	a	b	c	*	e	f	g	h	i	j	=																																												
	MC981															a	b	-	c	*	e	f	-	g	#	a	b	c	*	e	f	g	=																																								
	MC982														a	b	-	c	*	e	f	-	g	#	a	b	c	*	e	f	g	=																																									
MC893	MC993	a	b	c	*	e	f	g	h	i	j	=	l	m	n	a	b	f	g	h	e	*	i	j	l	m	c	n	#																																												
MC898	MC998	-	b	c	*	e	f	-	-	i	j	=	l	m	-	l	m	-	-	b	c	*	e	j	-	-	i	f	#																																												
MC9818	-	a	b	c	*	e	f	g	h	i	j	=	l	m	n																																																										
MC9820	-	a	b	c	*	e	f	g	h	i	j	=	l	m	n																																																										
MC9821	-	a	b	c	*	e	f	g	h	i	j	=	l	m	n																																																										
MC9822	-	a	b	c	*	e	f	g	h	i	j	=	l	m	n																																																										
MC9823	-	a	b	c	*	e	f	g	h	i	j	#	l	m	n																																																										
MC9824	-	a	b	c	*	e	f	g	h	i	j	#	l	m	n																																																										
MC9825	-	a	b	c	*	e	f	g	h	i	j	#	l	m	n																																																										

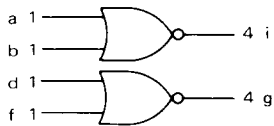
MAXIMUM RATINGS (T_A = +25°C)

Rating	Symbol	Value	Unit
Input Voltage	-	+4	Vdc
Power Supply Voltage (Pulsed ≤ 1 second)	-	+6	Vdc
Operating Temperature Range MC900 Series MC800 Series	T _A	-55 to +125 0 to +75	°C
Storage Temperature Range Metal Packages, Flat Packages Plastic Packages	T _{stg}	-65 to +150 -55 to +125	°C

The numbers at the end of the terminals indicate loading factors for low-power mW MRTL devices. Pin numbers vary with the package types. The alpha pin designations shown on the logic diagrams, used in conjunction with the Package Information Table (following the logic diagrams), make it possible to ascertain pin numbers for a specific device and package.

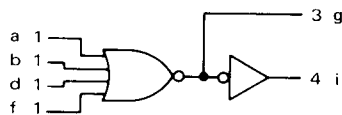
GATES

MC910
Dual 2-Input NOR Gate



$$i = \overline{a + b}$$

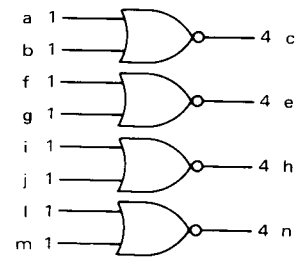
MC911
4-Input OR/NOR Gate



$$g = \overline{a + b + d + f}$$

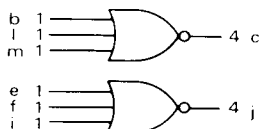
$$i = a + b + d + f$$

MC817, MC917
Quad 2-Input NOR Gate



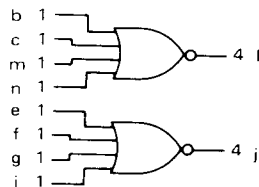
$$c = \overline{a + b}$$

MC818, MC918
Dual 3-Input NOR Gate



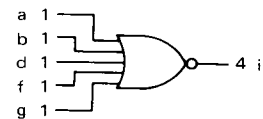
$$c = \overline{b + l + m}$$

MC819, MC919
Dual 4-Input NOR Gate



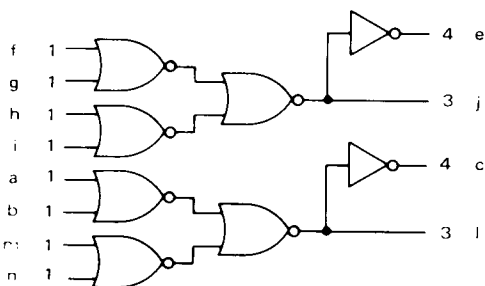
$$l = \overline{b + c + m + n}$$

MC928
5-Input NOR Gate



$$i = \overline{a + b + d + f + g}$$

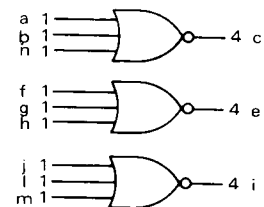
MC864
Dual Exclusive OR-NOR Gate



$$l = (a + b) \cdot (m + n)$$

$$c = \overline{a \cdot b + m \cdot n}$$

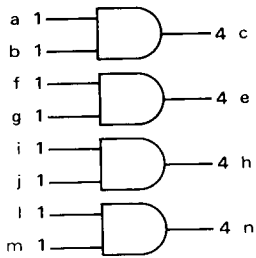
MC893, MC993
Triple 3-Input NOR Gate



$$c = \overline{a + b + n}$$

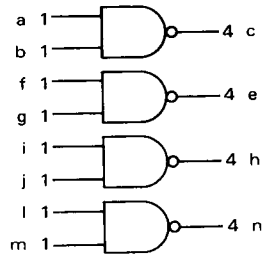
GATES (continued)

MC9823
Quad 2-Input AND Gate



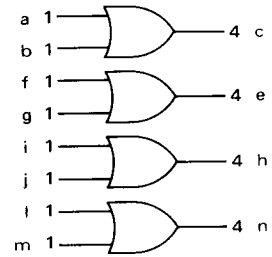
$$c = a \cdot b$$

MC9824
Quad 2-Input NAND Gate



$$c = \overline{a \cdot b}$$

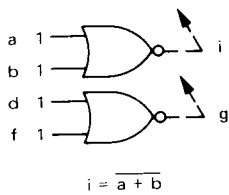
MC9825
Quad 2-Input OR Gate



$$c = a + b$$

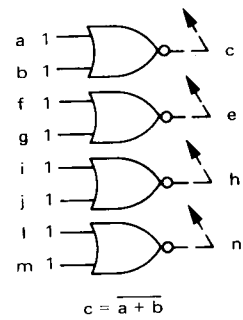
EXPANDERS

MC921
Dual 2-Input Expander



$$i = \overline{a + b}$$

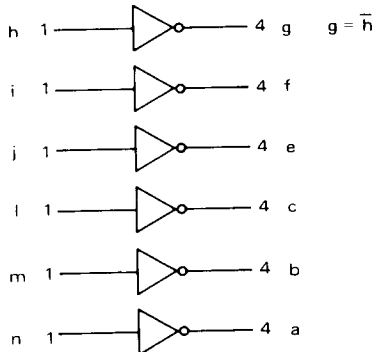
MC9821
Quad 2-Input Expander



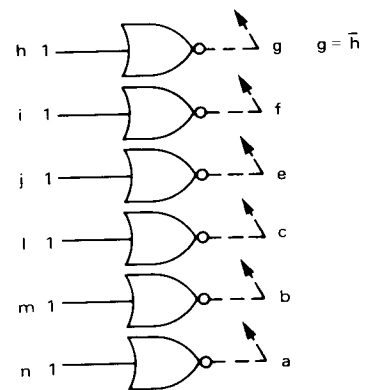
$$c = \overline{a + b}$$

INVERTER

MC9818
Hex Inverter

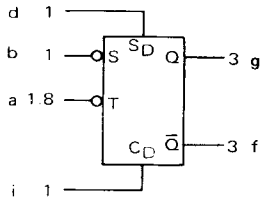


MC9820
Hex Expander



FLIP-FLOPS

MC913
Type D Flip-Flop



DIRECT INPUT OPERATION ①

S _D	C _D	Q	\bar{Q}
0	0	Ⓢ	Ⓢ
1	0	1	0
0	1	0	1
1	1	0	0

CLOCKED INPUT OPERATION ②

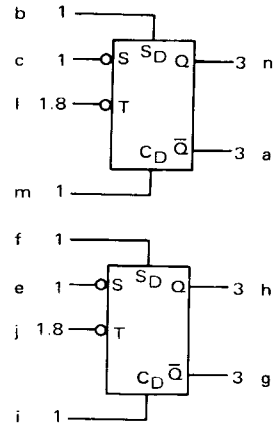
t _n	t _{n+1}	S	Q	\bar{Q}
		1	1	0
		0	0	1

1. Clock (T input) must be high.
2. The output state will not change when the input state goes from S_D = C_D to S_D = C_D = 0. The output state cannot be predetermined in the case where the input goes from S_D = C_D = 1 to S_D = C_D = 0.
3. Direct inputs (S_D and C_D) must be low.

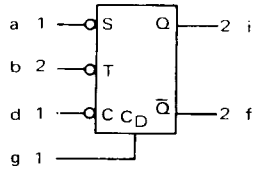
0 = low state
1 = high state

t_n = time period prior to negative transition of clock pulse
t_{n+1} = time period subsequent to negative transition of clock pulse

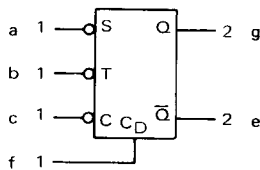
MC878, MC978
Dual Type D Flip-Flop



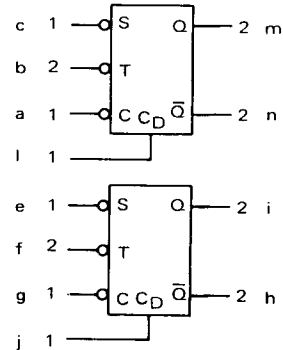
MC920
J-K Flip-Flop



MC982
J-K Flip-Flop



MC876, MC976
Dual J-K Flip-Flop



CLOCKED INPUT OPERATION

t _n	t _{n+1}	S	C	Q _n	\bar{Q}_n	Q	\bar{Q}
		1	1	Q _n	\bar{Q}_n	Q _n	\bar{Q}_n
		1	0	1	0	1	0
		0	1	0	1	0	1
		0	0	\bar{Q}_n	Q _n	\bar{Q}_n	Q _n

Direct input (C_D) must be low.

0 = low state
1 = high state

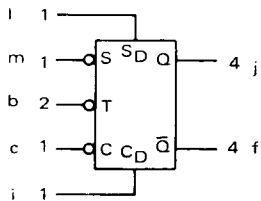
t_n = time period prior to negative transition of clock pulse.

t_{n+1} = time period subsequent to negative transition of clock pulse.

Q_n = state of Q output in time period t_n.

NOTE:
Clock pulse fall time must be within the range of 10 ns to 100 ns on all J-K Flip-Flops.

MC822, MC922
J-K Flip-Flop



DIRECT INPUT OPERATION ①

S _D	C _D	Q	\bar{Q}
0	0	Ⓢ	Ⓢ
1	0	1	0
0	1	0	1
1	1	0	0

CLOCKED INPUT OPERATION ②

t _n	t _{n+1}	S	C	Q	\bar{Q}
		1	1	Q _n	\bar{Q}_n
		1	0	1	0
		0	1	0	1
		0	0	\bar{Q}_n	Q _n

1. Clock (T) to remain unchanged.

2. The output state will not change when the input state goes from S_D = C_D to S_D = C_D = 0. The output state cannot be predetermined in the case where the input goes from S_D = C_D = 1 to S_D = C_D = 0.

3. Direct inputs (S_D and C_D) must be low.

0 = low state
1 = high state

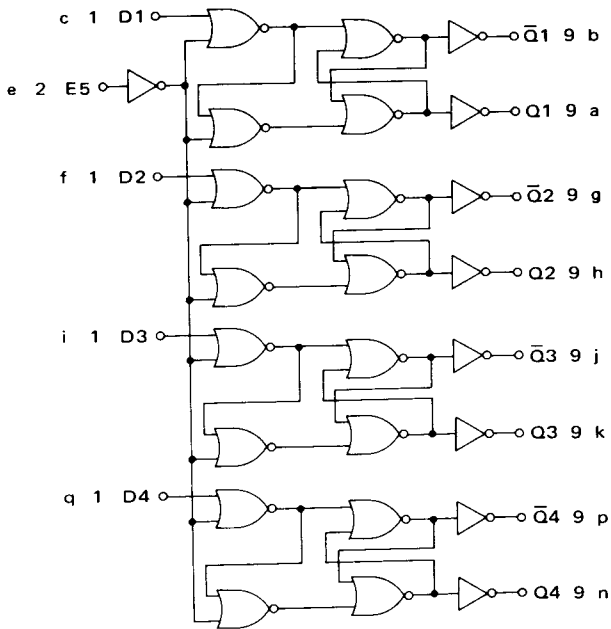
t_n = time period prior to negative transition of clock pulse
t_{n+1} = time period subsequent to negative transition of clock pulse

Q_n = state of Q output in time period t_n

(continued)

FLIP-FLOPS (continued)

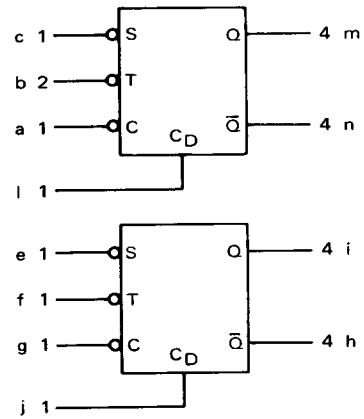
MC867
Quad Latch



TRUTH TABLE

E	D	Q_{n+1}	\bar{Q}_{n+1}
0	0	Q_n	\bar{Q}_n
0	1	Q_n	\bar{Q}_n
1	0	0	1
1	1	1	0

MC9822
Dual J-K Flip-Flop



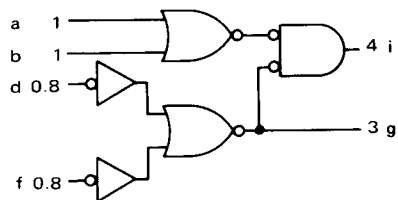
CLOCKED INPUT OPERATION ①

t_n ②		t_{n+1} ②	
S	C	Q	\bar{Q}
1	1	Q_n ③	\bar{Q}_n
1	0	1	0
0	1	0	1
0	0	\bar{Q}_n	Q_n ③

1. Direct input (C_D) must be low.
2. The time period prior to the negative transition of the clock pulse is denoted t_n and the time period subsequent to this transition is denoted t_{n+1} .
3. Q_n is the state of the Q output in the time period t_n .

HALF ADDERS

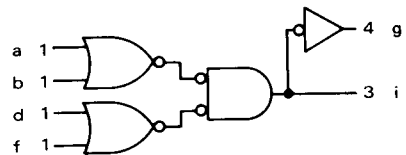
MC908
Half Adder



$$i = (a + b) (\bar{d} + \bar{f})$$

$$g = \bar{d} + \bar{f}$$

MC912
Half Adder

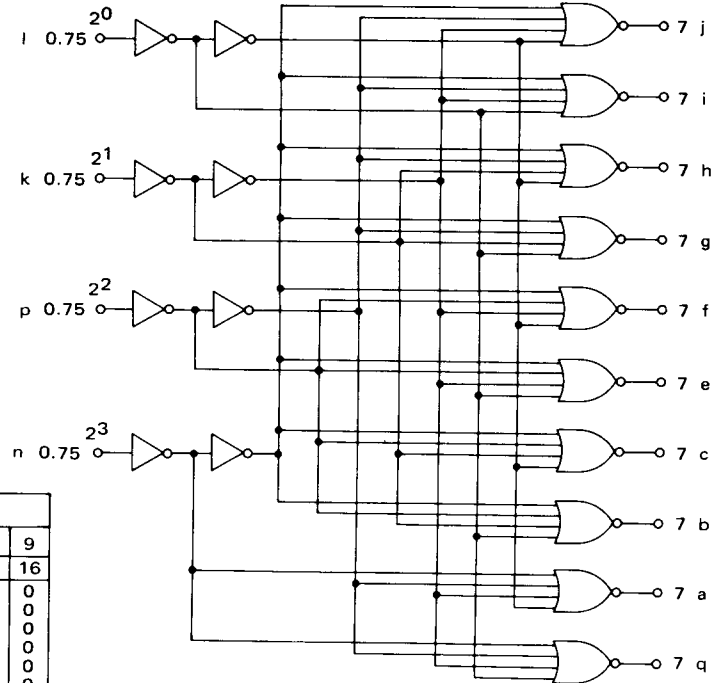


$$g = \bar{a} \cdot \bar{b} + \bar{d} \cdot \bar{f}$$

$$i = (a + b)(d + f)$$

DECODER

MC870
BCD-to-Decimal Decoder

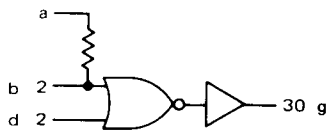


TRUTH TABLE

		INPUT (BCD)				OUTPUT (DECIMAL)									
		2 ³	2 ²	2 ¹	2 ⁰	0	1	2	3	4	5	6	7	8	9
Value	Pin No.	14	15	11	12	10	9	8	7	6	5	3	2	1	16
Logic Level		0	0	0	0	1	0	0	0	0	0	0	0	0	0
		0	0	0	1	0	1	0	0	0	0	0	0	0	0
		0	0	1	0	0	0	1	0	0	0	0	0	0	0
		0	0	1	1	0	0	0	0	1	0	0	0	0	0
		0	1	0	0	0	0	0	0	0	1	0	0	0	0
		0	1	0	1	0	0	0	0	0	0	1	0	0	0
		0	1	1	0	0	0	0	0	0	0	0	1	0	0
		0	1	1	1	0	0	0	0	0	0	0	0	1	0
		1	0	0	0	0	0	0	0	0	0	0	0	0	1
		1	0	0	1	0	0	0	0	0	0	0	0	0	0
		1	0	1	0	0	0	0	0	0	0	0	0	0	0
		1	0	1	1	0	0	0	0	0	0	0	0	0	0
		1	1	0	0	0	0	0	0	0	0	0	0	0	0
		1	1	0	1	0	0	0	0	0	0	0	0	0	0
		1	1	1	0	0	0	0	0	0	0	0	0	0	0
		1	1	1	1	0	0	0	0	0	0	0	0	0	0
		1	1	1	1	1	0	0	0	0	0	0	0	0	0

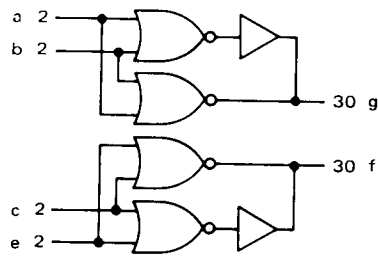
BUFFERS

MC909
Buffer



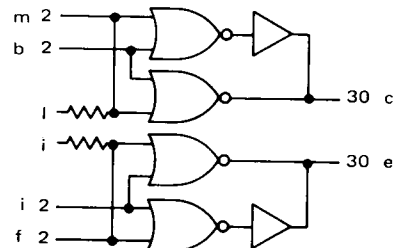
$$g = \overline{b + d}$$

MC981
Dual Buffers



$$g = \overline{a + b}$$

MC898, MC998
Dual Buffers

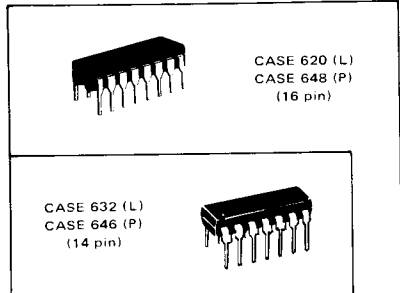


$$c = \overline{b + m}$$

PACKAGE INFORMATION TABLE

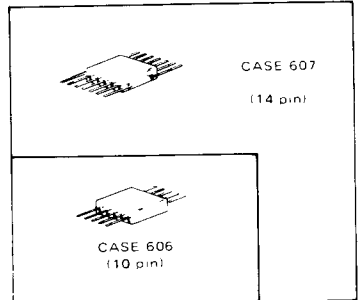
(See instructions on preceding page.)

L OR P SUFFIX CERAMIC & PLASTIC PACKAGES



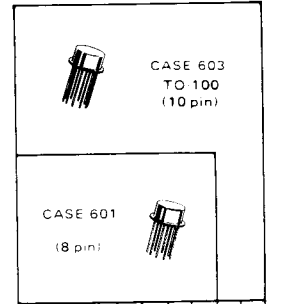
Type No.	Pin No.	1	2	3	4	5	6	7	8	9	10	11	12	13	14	15	16
MC900																	
MC901																	
MC902																	
MC903																	
MC904																	
MC905																	
MC906																	
MC907																	
MC914																	
MC815	MC915		b	c	*	e	f				i	j	#	l	m	n	
MC816	MC916		b	c	*	e					i	j	#	l			
MC824	MC924	a	b	c	*	e	f	g	h	i	j	#	l	m	n		
MC825	MC925		b	c	*	e	f	g			i	j	#	l	m	n	
MC826	MC926		b	c	*	e	f				i	j	#	l	n		
MC927																	
MC929																	
MC871	MC971	a	b	c	*	e	f	g	h	i	j	#	l	m	n		
MC875	MC975	a	b	c	*	e	f	g	h	i	j	#	l	m	n		
MC877			c	*	e	f	g	h	i	j	#	l	m	n			
MC879		a	b	c	*	e	f	g	h	i	j	#	l	m	n		
MC880			c	*	e	f	g	h	i	j	#	l	m	n			
MC883	MC983	a	b	c	*	e	f	g	h	i	j	#	l	m	n		
MC884	MC984	a	b	c	*	e	f	g	h								
MC885	MC985	a	b	c	*	e	f	g	h	i	j	#	l	m	n		
MC886	MC986		b	c	*	e	f	g									
MC887		a	b	c	*	e	f	g	h	i	j	#	l	m	n		
MC888	MC988	a	b	c	*	e	f	g	h	i	j	#	l	m	n		
MC889	MC989	a	b	c	*	e	f	g	h	i	j	#	l	m	n		
MC890	MC990	a	b	c	*	e	f	g	h	i	j	#	l	m	n		
MC891	MC991	a	b	c	*	e	f	g	h	i	j	#	l	m	n		
MC892	MC992	a	b	c	*	e	f	g	h	i	j	#	l	m	n		
MC894		a	b	c	*	e	f	g	h	i	j	#	l	m	n		
MC896	MC996		b	c	*	e	f	g	h	i	j	#	l	m	n		
MC897	MC997		b	c	*	e	f	g	h	i	j	#	l	m	n		
MC899	MC999		b	c	*	e	f				i	j	#	l	m		
MC9801		a	b	c	*	e	f	g	h	i	j	k	l	#	n	p	q
MC9802		a	b	c	*	e	f	g	h	i	j	k	l	#	m	n	
MC9804		a	b	c	*	e	f	g	h	i	j	k	l	#	n	p	q
MC9807		a	b	c	*	e	f	g	h	i	j	k	l	#	n	p	q
MC9809		a	b	c	*	e	f	g	h	i	j	#	l	m	n		
MC9813		a	b	c	*	e	f	g	h	i	j	#	l	m	n		
MC9814		a	b	c	*	e	f	g	h	i	j	#	l	m	n		
MC9815		a	b	c	*	e	f	g	h	i	j	#	l	m	n		
MC9819		a	b	c	*	e	f	g	h	i	j	#	l	m	n		

F SUFFIX CERAMIC PACKAGES



Pin No.	1	2	3	4	5	6	7	8	9	10	11	12	13	14
	b		d	*	g					#				
	a	b	c	*	e					g	#			
	a		c	*	e					g	#			
	b	c	d	*					h					
	b	c	d	*					g	h	i			
	b	c	d	*					g	h	i			
	b	c	d	*					g					
	b	c	d	*					g	h				
	b	c	d	*					g	h	i			
	b	c	d	*					g	h	i			
	b	l	m	c	*	e	f	i	j	#				
		l	b	c	*	e			i	j	#			
	a	b	c	f	g	e	*	h	i	j	n	l	m	#
	l	b	c	m	n	*	e	f	g					
	l	m	b	c	*		f	i	j	#				
	a	b	c	d	*	f	g	h	i	#				
	b	c	d	*					g	h	i	#		
	a	b	c	f	g	e	*	h	i	j	n	l	m	#
		a	b	c	*	e	f	g	#					
	l	n	a	n	b	c	*	g	h	e	f	i	j	#
	n	m	l	c	b	a	*	e	f	g	j	i	h	#
	l	n	a	b	c	*	e	f	g	j		h	#	
	a	b	c	f	g	e	*	h	i	j	n	l	m	#
	l	b	c		m	n	*	e	f	g				
	l	m	n	a	b	c	*	e	f	g	h	i	j	#
	h	i	j	e	f	g	*	a	b	c	l	m	n	#
	l	m	n	a	b	c	*	e	f	g	h	i	j	#
	l	m	a	b	n	c	*	e	f	g	h	i	j	#
	j	i	h	f	c	*	e	b			n	m	l	#
	l	m	n	b	c	*	e	f			h	i	j	#
	i	f	j	e	*	c	m	l	b	#				

G SUFFIX METAL PACKAGES

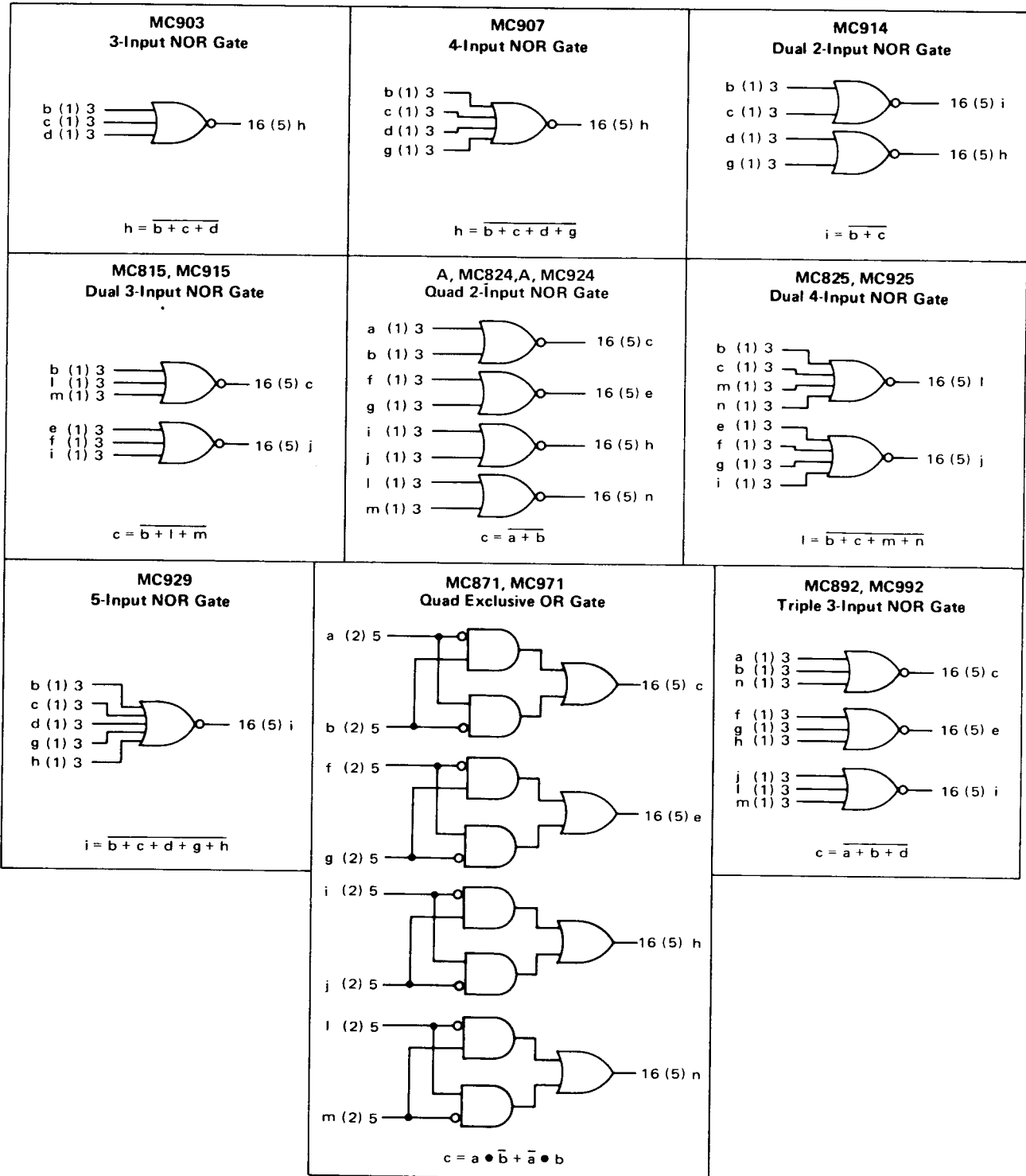


Pin No.	1	2	3	4	5	6	7	8	9	10		
	b		d	*	g					#		
	a	b	c	*	e					g	#	
	a		c	*	e					g	#	
	b	c	d	*					h		#	
	b	c	d	*					g	h	i	#
	b	c	d	*					g	h	i	#
	b	c	d	*					g			#
	b	c	d	*					g	h		#
	b	c	d	*					g	h	i	#
	b	l	m	c	*	e	f	i	j	#		
	l	b	c	*	e			i	j	#		
	l	m	b	c	*		f	i	j	#		
	a	b	c	d	*	f	g	h	i	#		
	b	c	d	*					g	h	i	#
	a	b	c	*	e	f	g	#				

The numbers in parenthesis indicate loading factors for medium-power MRTL devices. The numbers at the end of the terminals indicate the normalized loading factors used for compatibility with the low-power mW MRTL devices when mixing the two power levels in a system. Pin numbers

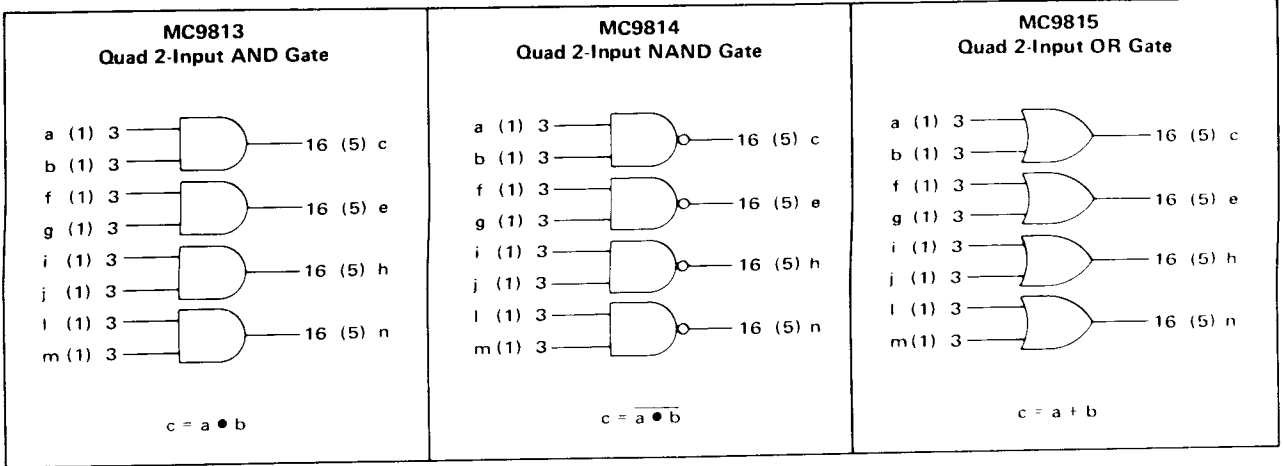
vary with the package types. The alpha pin designations shown on the logic diagrams, used in conjunction with the Package Information Table (following the logic diagrams), make it possible to ascertain pin numbers for a specific device and package.

GATES

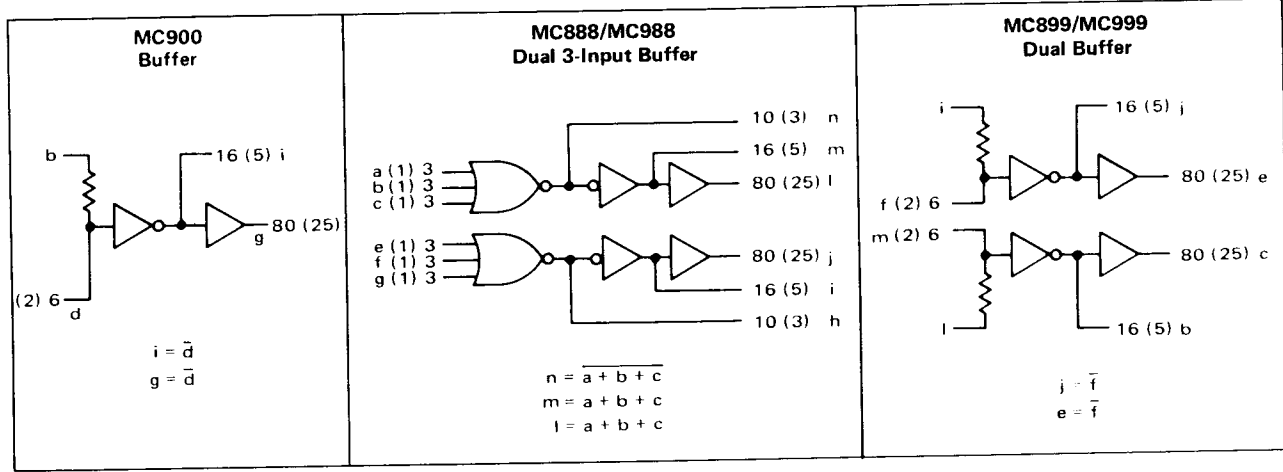


(continued)

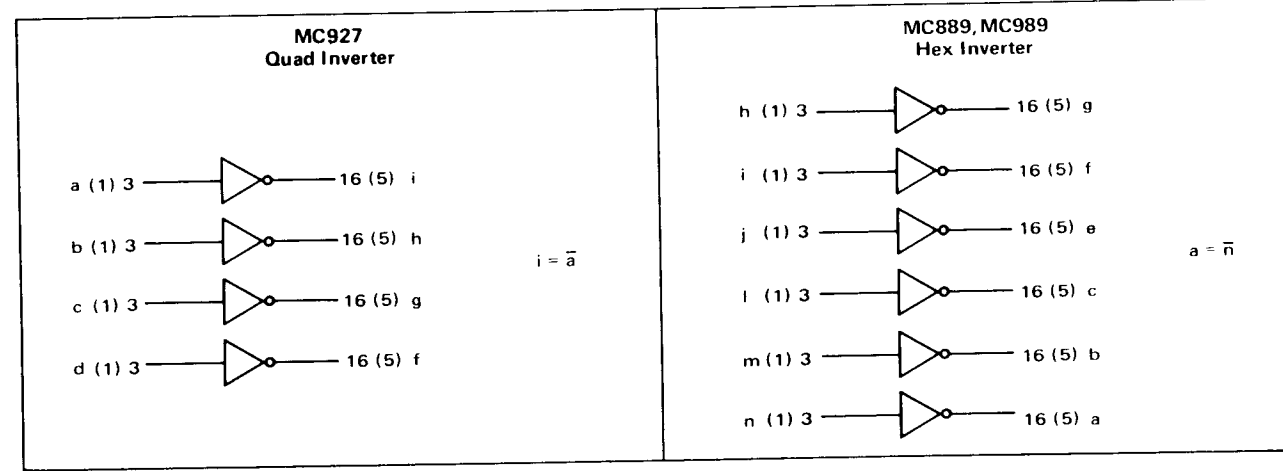
GATES (continued)



BUFFERS



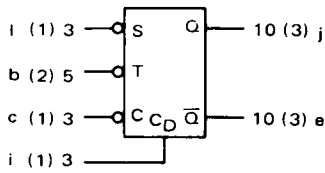
INVERTERS



MRTL LOGIC DIAGRAMS

FLIP-FLOPS

MC816, MC916
J-K Flip-Flop

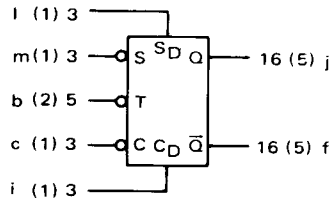


CLOCKED INPUT OPERATION^①

t_n ^②		t_{n+1} ^②	
S	C	Q	\bar{Q}
1	1	Q_n ^③	\bar{Q}_n
1	0	1	0
0	1	0	1
0	0	\bar{Q}_n	Q_n ^③

1. Direct input (C_D) must be low.
2. The time period prior to the negative transition of the clock pulse is denoted t_n and the time period subsequent to this transition is denoted t_{n+1} .
3. Q_n is the state of the Q output in the time period t_n .

MC826, MC926
J-K Flip-Flop



CLOCKED INPUT OPERATION^①

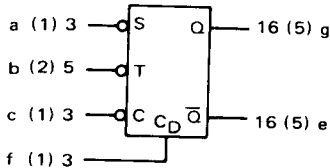
t_n ^②		t_{n+1} ^②	
S	C	Q	\bar{Q}
1	1	Q_n ^③	\bar{Q}_n
1	0	1	0
0	1	0	1
0	0	\bar{Q}_n	Q_n ^③

1. Direct inputs (C_D and S_D) must be low.
2. The time period prior to the negative transition of the clock pulse is denoted t_n and the time period subsequent to this transition is denoted t_{n+1} .
3. Q_n is the state of the Q output in the time period t_n .
4. Clock (T) to remain unchanged.
5. The output state will not change when the input state goes from $S_D = C_D$ to $S_D = C_D = 0$. The output state cannot be predetermined in the case where the input goes from $S_D = C_D = 1$ to $S_D = C_D = 0$.

DIRECT INPUT OPERATION

S_D	C_D	Q	\bar{Q}
0	0	Q_n ^③	\bar{Q}_n ^③
1	0	1	0
0	1	0	1
1	1	1	1

MC974
J-K Flip-Flop



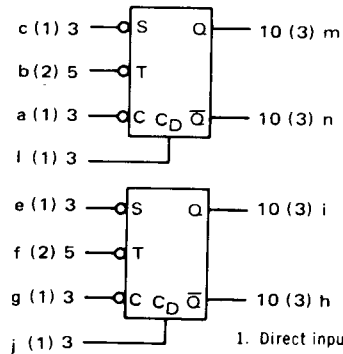
CLOCKED INPUT OPERATION^①

t_n ^②		t_{n+1} ^②	
S	C	Q	\bar{Q}
1	1	Q_n ^③	\bar{Q}_n
1	0	1	0
0	1	0	1
0	0	\bar{Q}_n	Q_n ^③

1. Direct input (C_D) must be low.
2. The time period prior to the negative transition of the clock pulse is denoted t_n and the time period subsequent to this transition is denoted t_{n+1} .
3. Q_n is the state of the Q output in the time period t_n .

NOTE:
Clock pulse fall time must be within the range of 10 ns to 100 ns on all J-K Flip-Flops except MC926, MC826F, and MC826G which have a range of 10 ns to 200 ns.

MC890, MC990
Dual J-K Flip-Flop

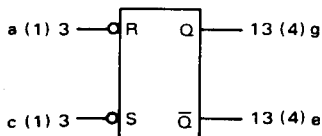


CLOCKED INPUT OPERATION^①
(each Flip-Flop)

t_n ^②		t_{n+1} ^②	
S	C	Q	\bar{Q}
1	1	Q_n ^③	\bar{Q}_n
1	0	1	0
0	1	0	1
0	0	\bar{Q}_n	Q_n ^③

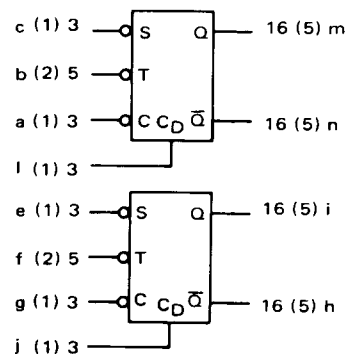
1. Direct input (C_D) must be low.
2. The time period prior to the negative transition of the clock pulse is denoted t_n and the time period subsequent to this transition is denoted t_{n+1} .
3. Q_n is the state of the Q output in the time period t_n .

MC902
R-S Flip-Flop



R	S	Q_{n+1}
0	0	Q_n
0	1	1
1	0	0
1	1	0

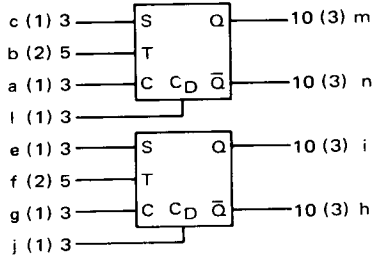
MC891, MC991
Dual J-K Flip-Flop



(continued)

FLIP-FLOPS (continued)

MC9802
Dual J-K Flip-Flop



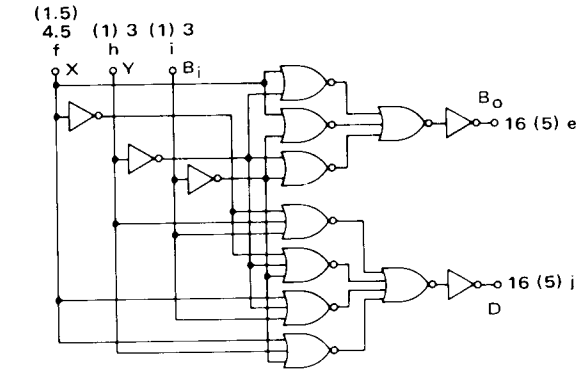
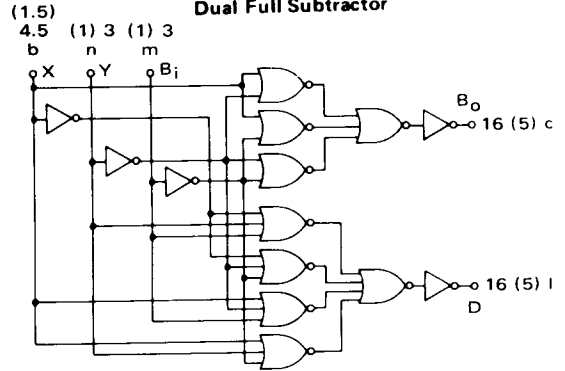
CLOCKED INPUT OPERATION

t_n ②		t_{n+1} ①	
S	C	Q	\bar{Q}
1	1	Q_n ③	\bar{Q}_n
1	0	1	0
0	1	0	1
0	0	\bar{Q}_n	Q_n ③

1. Preclear input (C_D) must be low.
2. The time period prior to the negative transition of the clock pulse is denoted t_n and the time period subsequent to this transition is denoted t_{n+1} .
3. Q_n is the state of the Q output in the time period t_n .
4. Clock pulse fall time must be <100 ns.

FULL SUBTRACTOR

MC897, MC997
Dual Full Subtractor



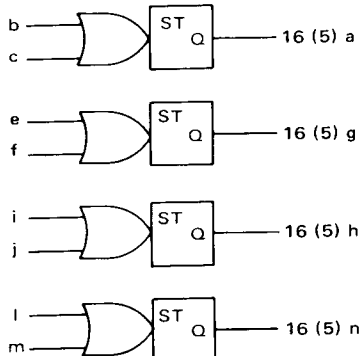
TRUTH TABLE				
Input Logic Level			Output Logic Level	
X	Y	B_i	D	B_o
0	0	0	0	0
0	0	1	1	1
0	1	0	1	1
0	1	1	0	1
1	0	0	1	0
1	0	1	0	0
1	1	0	0	0
1	1	1	1	1

$$D = YXB_i + \bar{Y}X\bar{B}_i + Y\bar{X}\bar{B}_i + \bar{Y}\bar{X}B_i$$

$$B_o = \bar{Y}\bar{X}B_i + Y\bar{X}\bar{B}_i + Y\bar{X}B_i + YXB_i$$

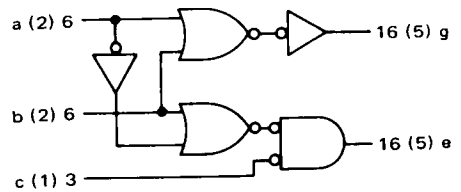
SCHMITT TRIGGER

MC9809
Quad Schmitt Trigger



COUNTER ADAPTER

MC901
Counter Adapter



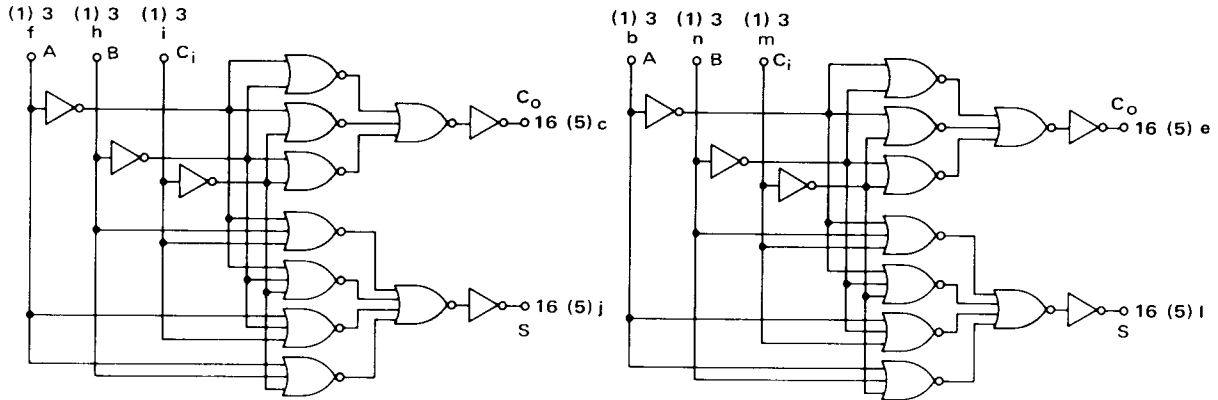
$$g = a + b$$

$$e = (\bar{a} + b) \bar{c}$$

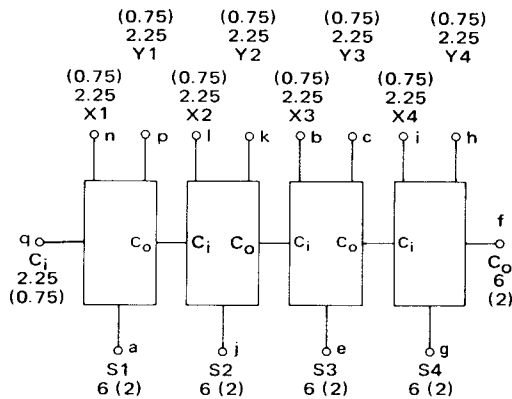
MRTL LOGIC DIAGRAMS

FULL ADDERS

**MC896, MC996
Dual Full Adder**



**MC9804
4-Bit Parallel Full Adder**



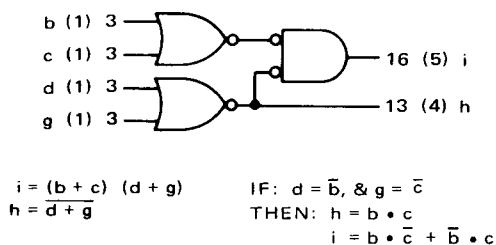
$$C_o = ABC_i + AB\bar{C}_i + A\bar{B}C_i + \bar{A}BC_i$$

$$S = ABC_i + A\bar{B}\bar{C}_i + \bar{A}BC_i + \bar{A}\bar{B}\bar{C}_i$$

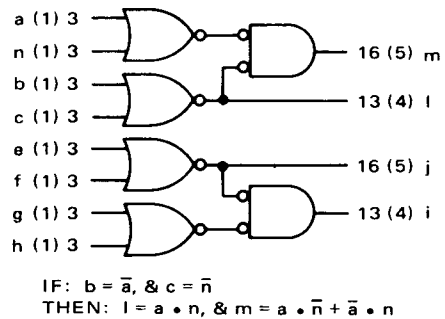
TRUTH TABLE				
Input Logic Level			Output Logic Level	
A	B	C _i	S	C _o
0	0	0	0	0
0	0	1	1	0
0	1	0	1	0
0	1	1	0	1
1	0	0	1	0
1	0	1	0	1
1	1	0	0	1
1	1	1	1	1

HALF ADDERS

**MC904
Half Adder**

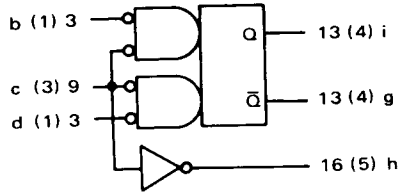


**MC875, MC975
Dual Half Adder**



SHIFT REGISTERS

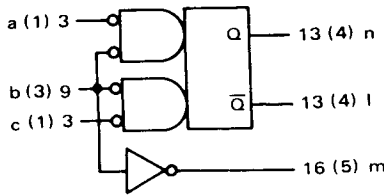
MC905
Half-Shift Register



$$i = \bar{g} (b + c)$$

$$g = \bar{i} (c + d)$$

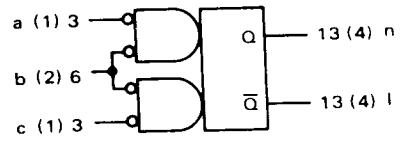
MC883, MC983
Dual Half-Shift Register



$$n = \bar{l} (a + b)$$

$$l = \bar{n} (c + b)$$

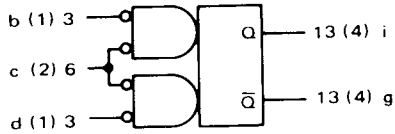
MC884, MC984
Dual Half-Shift Register
(without inverter)



$$n = \bar{l} (a + b)$$

$$l = \bar{n} (c + b)$$

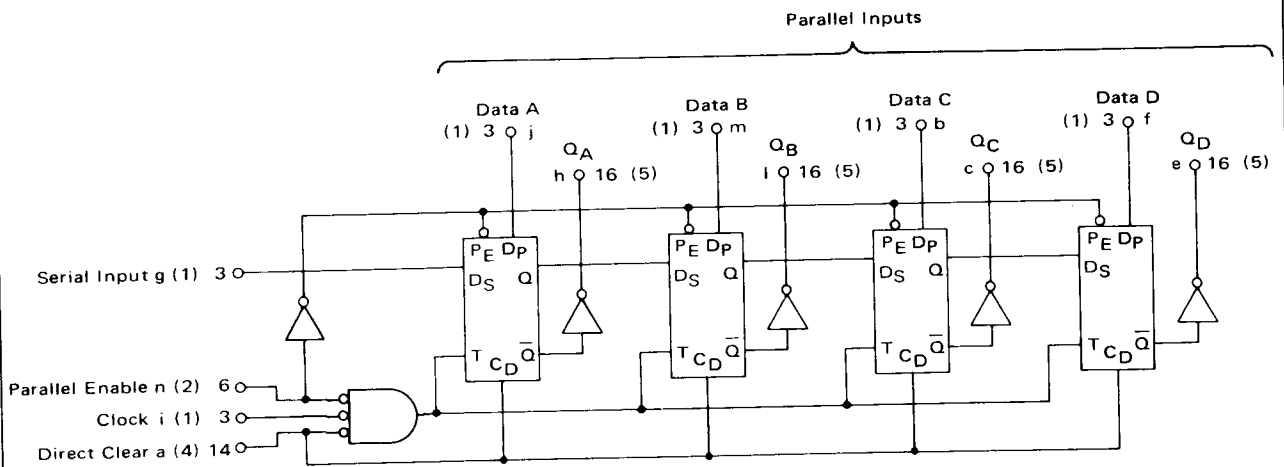
MC906
Half-Shift Register
(without inverter)



$$i = \bar{g} (b + c)$$

$$g = \bar{i} (c + d)$$

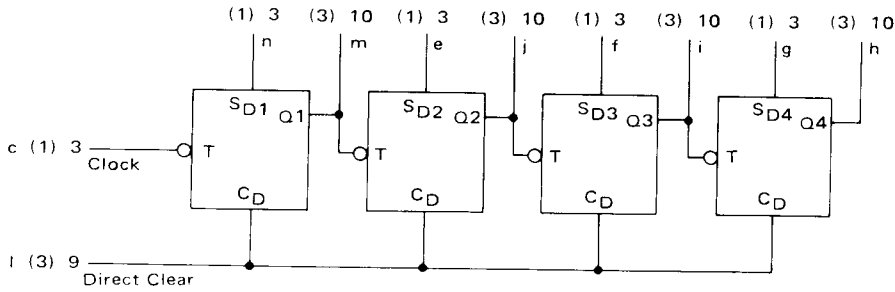
MC894
Serial-Parallel Shift Register



MRTL LOGIC DIAGRAMS

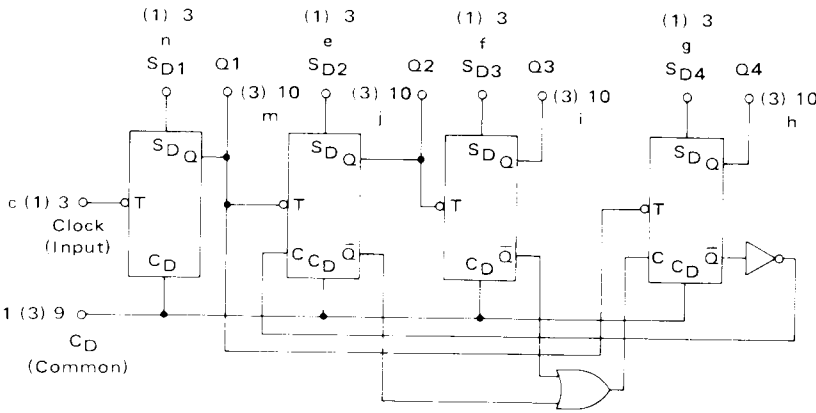
COUNTERS

MC877
Binary Up Counter



DECODING LOGIC	
0	$\bar{A} \bar{B} \bar{C} \bar{D}$
1	$A \bar{B} \bar{C} \bar{D}$
2	$\bar{A} B \bar{C} \bar{D}$
3	$A B \bar{C} \bar{D}$
4	$\bar{A} \bar{B} C \bar{D}$
5	$A \bar{B} C \bar{D}$
6	$\bar{A} B C \bar{D}$
7	$A B C \bar{D}$
8	$\bar{A} \bar{B} \bar{C} D$
9	$A \bar{B} \bar{C} D$
10	$\bar{A} B \bar{C} D$
11	$A B \bar{C} D$
12	$\bar{A} \bar{B} C D$
13	$A \bar{B} C D$
14	$\bar{A} B C D$
15	$A B C D$

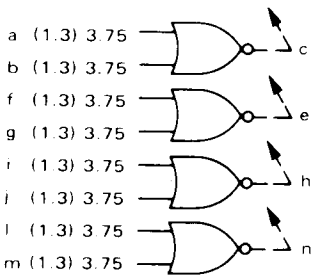
MC880
Decade Up Counter



DECODING LOGIC				
0	\bar{A}	\bar{B}	\bar{C}	\bar{D}
1	A	\bar{B}	\bar{C}	\bar{D}
2	\bar{A}	B	\bar{C}	\bar{D}
3	A	B	\bar{C}	\bar{D}
4	\bar{A}	\bar{B}	C	\bar{D}
5	A	\bar{B}	C	\bar{D}
6	\bar{A}	B	C	\bar{D}
7	A	B	C	\bar{D}
8	\bar{A}	\bar{B}	\bar{C}	D
9	A	\bar{B}	\bar{C}	D

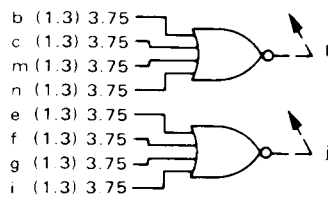
EXPANDERS

MC885, MC985
Quad 2-Input Expander



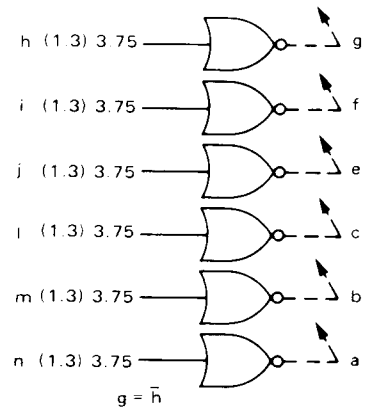
$c = \bar{a} + \bar{b}$

MC886, MC986
Dual 4-Input Expander



$i = \bar{b} + \bar{c} + \bar{m} + \bar{n}$

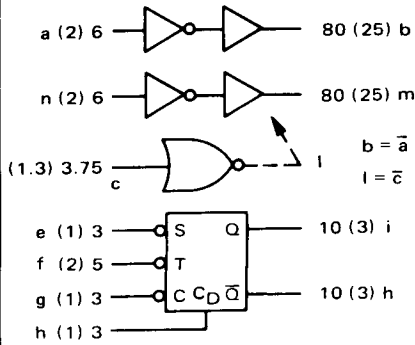
MC9819
Hex Expander



$g = \bar{h}$

MULTIFUNCTION DEVICES

MC879
(1 J-K Flip-Flop, 1 Expander, 2 Buffers)



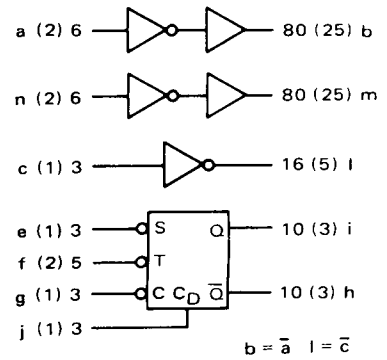
CLOCKED INPUT OPERATION^①

t_n ②		t_{n+1} ③	
S	C	Q	\bar{Q}
1	1	Q_n ④	\bar{Q}_n
1	0	1	0
0	1	0	1
0	0	\bar{Q}_n	Q_n ④

1. Direct input (C_D) must be low.
2. The time period prior to the negative transition of the clock pulse is denoted t_n and the time period subsequent to this transition is denoted t_{n+1} .
3. Q_n is the state of the Q output in the time period t_n .

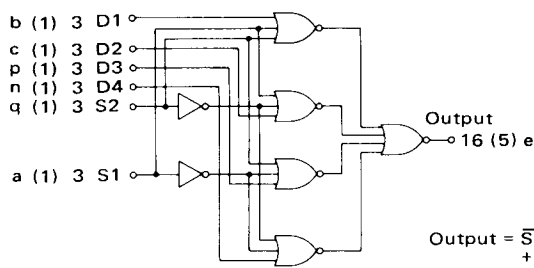
MC887

(1 J-K Flip-Flop, 1 Inverter, 2 Buffers)

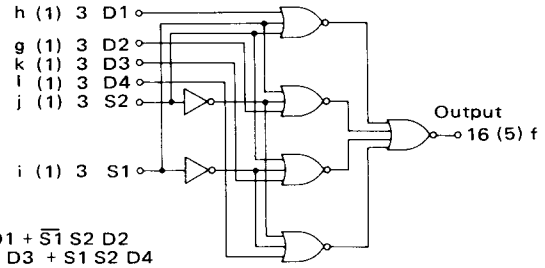


DATA ROUTING FUNCTIONS

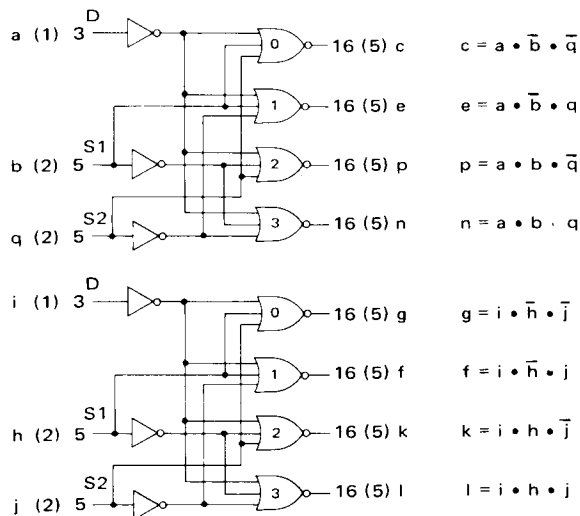
MC9801
Dual 4-Channel Data Selector



$$\text{Output} = \bar{S}_1 \bar{S}_2 D_1 + \bar{S}_1 S_2 D_2 + S_1 \bar{S}_2 D_3 + S_1 S_2 D_4$$



MC9807
Dual 4-Channel Date Distributor



$$c = a \cdot \bar{b} \cdot \bar{q}$$

$$e = a \cdot \bar{b} \cdot q$$

$$p = a \cdot b \cdot \bar{q}$$

$$n = a \cdot b \cdot q$$

$$g = i \cdot \bar{h} \cdot \bar{j}$$

$$f = i \cdot \bar{h} \cdot j$$

$$k = i \cdot h \cdot \bar{j}$$

$$l = i \cdot h \cdot j$$

TRUTH TABLE

Input Select		Data Line Selected
S1	S2	
0	0	D1
0	1	D2
1	0	D3
1	1	D4

TRUTH TABLE

Pin Numbers	INPUTS			OUTPUTS									
	D	S1	S2	0	1	2	3						
a	i	b	h	q	j	c	g	e	f	p	k	n	l
Level	0	*	*	0	0	0	0	0	0	0	0	0	0
	1	0	0	1	0	0	0	0	0	0	0	0	0
	1	0	1	0	1	0	0	0	0	0	0	0	0
	1	1	0	0	0	1	0	0	0	0	0	0	0
	1	1	1	0	0	0	0	0	0	0	0	0	1

* Either state.

MRTL LOGIC DIAGRAMS

MAXIMUM RATINGS ($T_A = 25^{\circ}\text{C}$)

Rating	Symbol	Value	Unit
Input Voltage	—	+4	Vdc
Power Supply Voltage (Pulsed ≤ 1 second)	—	+6	Vdc
Operating Temperature Range MC900 Series	T_A	-55 to +125	$^{\circ}\text{C}$
MC800P Series		0 to +75	
Storage Temperature Range Metal Can, Flat Package Plastic Package	T_{stg}	-65 to +150 -55 to +125	$^{\circ}\text{C}$

INSTRUCTIONS FOR USE OF PACKAGE INFORMATION TABLE

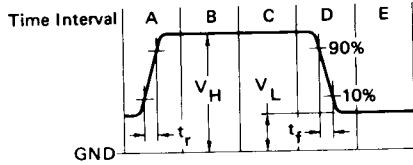
MC900 and MC800 Series Medium-Power MRTL devices are available in the packages pictured in the following table as indicated on the line following each device type number. Plastic and dual-in-line ceramic packaged devices are available in the MC800 Series only.

Pin numbers for any of the following devices and packages may be determined by:

1. Find the device among the logic diagrams appearing on the preceding pages (grouped by function). Note the alpha pin designations for the device.
2. Find the device type number in the left hand columns of the "Package Information Table".
3. The letters in the columns following the type number and below the drawing of the desired package indicate the correct pin numbers for the specific package by their numbered positions beneath the package drawing. (These letters are the same as indicated on the logic diagram for the device.)
4. Notes: Blanks in an area following the type number and directly beneath a package indicate the device is not available in that package.
A dash indicates this pin or lead is not connected nor otherwise utilized for this device and package.
* indicates this pin number is the ground connection for this device and package.
indicates this pin number is the V_{CC} connection for this device and package.

TYPICAL OPERATING CHARACTERISTICS FOR mW MRTL J-K FLIP-FLOPS

FIGURE 1 - CLOCK PULSE DEFINITION



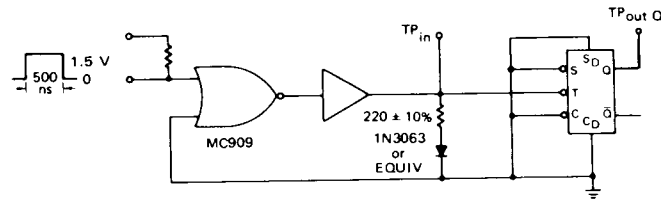
SEQUENCE OF EVENTS:

- Voltage applied to Clock pin is raised to V_H . t_r is not critical but should be $< 1.0 \mu s$.
- Biases of all other inputs are applied. V_{CC} is applied without interruption throughout the testing.
- Apply momentary ground, when applicable.
- Clock pulse is allowed to fall to V_L . t_f remains within 10 ns minimum and 100 ns maximum.
- Electrical measurements are read out. Load current overshoot must be limited to 10% or the flip-flop may be tripped and the wrong output conditions occur.

MC800 Series

T_A	V_L	V_H
+25°C	+460 ± 2.0 mVdc	+850 ± 2.0 mVdc
0°C	+500 ± 2.0 mVdc	+900 ± 2.0 mVdc
+75°C	+400 ± 2.0 mVdc	+760 ± 2.0 mVdc

FIGURE 2 - TOGGLE MODE TEST CIRCUIT



$f = 4.0 \text{ MHz}$
 Duty Cycle = 25% to 75%
 t_r & $t_f < 10 \text{ ns}$

NOTE:

Waveform at the output test point should be 1/2 the frequency of the waveform at the input test point.

MC900 Series

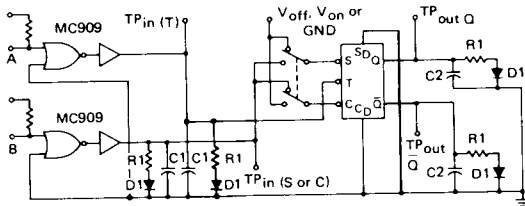
T_A	V_L	V_H
+25°C	+450 ± 2.0 mVdc	+800 ± 2.0 mVdc
-55°C	+650 ± 2.0 mVdc	+985 ± 2.0 mVdc
+125°C	+260 ± 2.0 mVdc	+605 ± 2.0 mVdc

SWITCHING TIMES

Test	Figure No. 3	Maximum (ns)
t_{T-Q-}	3B	150
t_{T-Q+}	3B	150
t_{T-Q-}	3B	100
t_{T-Q+}	3B	100
t_{S+T-}	3C	50
t_{S-T-}	3C	30
t_{C+T-}	3C	50
t_{C-T-}	3C	30
t_{T-S+}	3C	0
t_{T-S-}	3C	+5
t_{T-C+}	3C	0
t_{T-C-}	3C	+5
t_{C_D+Q-}	4	140
t_{C_D+Q+}	4	70
t_{S_D+Q+}	4	70
t_{S_D+Q-}	4	140

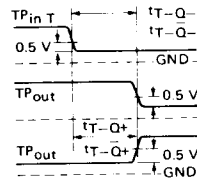
SWITCHING TIMES TEST CIRCUITS AND WAVEFORMS

FIGURE 3A - SET-UP, RELEASE AND SWITCHING TIMES TEST CIRCUIT



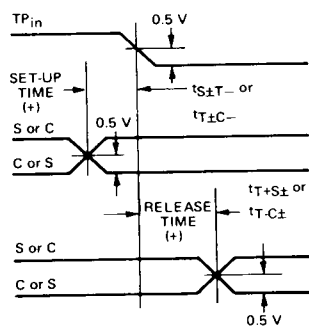
$C1 = 20 \text{ pF}$ Including Jig and Probe $R1 = 1.5 \text{ k ohms} \pm 1.0\%$
 $C2 = 8.0 \text{ pF}$ Including Jig and Probe $D1 = 1N3063$ or Equivalent

FIGURE 3B - SWITCHING TIME WAVEFORMS



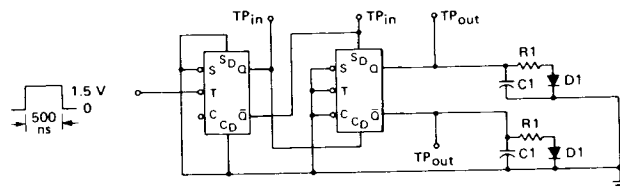
NOTE: Whichever input pin (S or C) is tied to MC909 Buffer on input pin B is at virtual ground when the input is tied to V_{BOT} .

FIGURE 3C - SET-UP AND RELEASE TIME



FOR DEFINITIONS OF SET-UP AND RELEASE TIMES, SEE GENERAL INFORMATION SECTION.

FIGURE 4 - DIRECT SET AND DIRECT CLEAR PROPAGATION DELAY TIME



$f = 1.0 \text{ MHz}$
 t_r & $t_f < 10 \text{ ns}$

$C1 = 8.0 \text{ pF}$ Including Jig and Probe
 $R1 = 1.5 \text{ k ohms} \pm 1.0\%$
 $D1 = 1N3063$ or EQUIVALENT

