

# EDISON FUSES – GENERAL PURPOSE MIDGET CLASS MCL



## Features

- Provide supplemental protection to end-use equipment
- Compact dimensions
- High interrupting rating
- Fast-acting design responds quickly to both overloads and short-circuit current

## Applications

- Control circuits, electronic equipment protection, street lighting holders, and HID lighting

## MCL Specifications

### Fast-Acting

**Voltage Rating:** MCL - 600 VAC

**Ampere Rating:** 0.5 - 50 Amps

**Interrupting Rating:** 100,000 RMS Amps

### Agency Approvals:

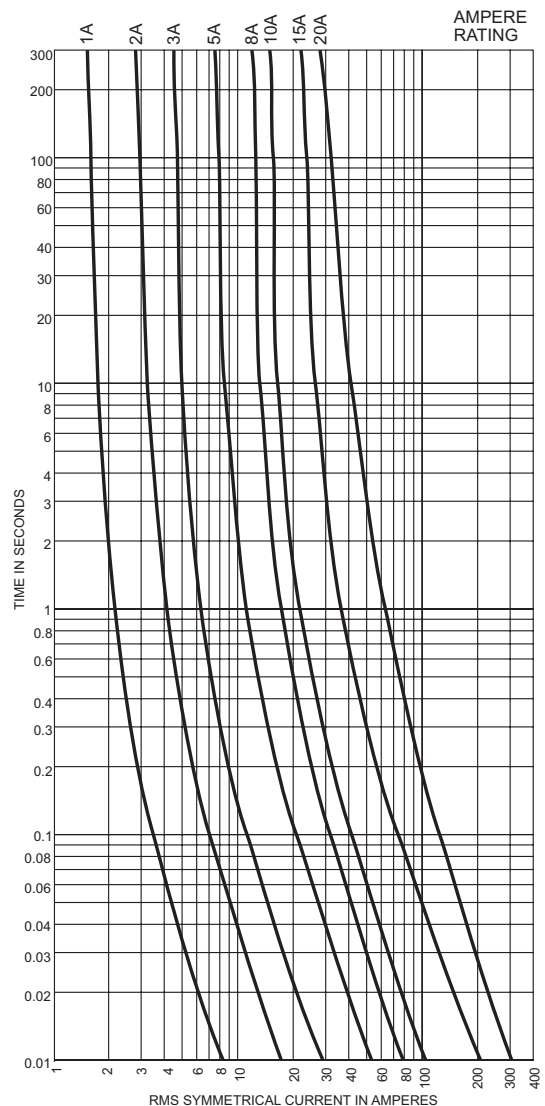
- (0.1 - 30) UL Listed to 248.14, File E162443
- (0.1 - 30) CSA Certified C22.2, Part 59.2, LR700489
- CE Compliant

AMPERE RATINGS				
MCL - 600 VAC				
0.5	2.5	5	12	30
1	3	6	15	35
1.5	3.5	8	20	40
2	4	10	25	50

DIMENSIONS		
Amps	Ferrule (in)	Length (in)
0.5 - 50	13/32	1-1/2

CROSS REFERENCE			
EDISON	BUSSMANN	GOULD	LITTELFUSE
MCL	KTK	ATM	KLK

## Characteristic Curves



MCL Series Fuses			
Part Number	Pcs/Pkg	Weight	Price
MCL-5	10/1	0.2 lb	\$34.00
MCL1	10/1	0.2 lb	\$32.00
MCL1-5	10/1	0.2 lb	\$35.00
MCL2	10/1	0.2 lb	\$32.00
MCL2-5	10/1	0.2 lb	\$39.00
MCL3	10/1	0.2 lb	\$32.00
MCL3-5	10/1	0.2 lb	\$41.00
MCL4	10/1	0.2 lb	\$33.00
MCL5	10/1	0.2 lb	\$32.00
MCL6	10/1	0.2 lb	\$31.00
MCL8	10/1	0.2 lb	\$33.00
MCL10	10/1	0.2 lb	\$32.00
MCL12	10/1	0.2 lb	\$37.00
MCL15	10/1	0.2 lb	\$32.00
MCL20	10/1	0.2 lb	\$32.00
MCL25	10/1	0.2 lb	\$32.00
MCL30	10/1	0.2 lb	\$32.00
MCL35	10/1	0.2 lb	\$41.00
MCL40	10/1	0.2 lb	\$37.00
MCL50	10/1	0.2 lb	\$42.00

www.DataSheet.in

# EDISON FUSES – FUSE HOLDERS

## Features

- Multiple-pole configurations
- Finger-safe protection
- Optional “open-fuse” indication
- Polyester material is UL 94V-0 rated, self-extinguishing
- Multi-phase connections available for ganging poles
- CE marking



### Agency Approvals Class CC

- UL Listed to 512, Guide IZLT, File E14853
- CSA Certified, Std. C22.2 No. 39, Class 6225-01, File LR47235
- IEC 60269
- IEC 60947
- CE Compliant

### Agency Approvals Midget

- UL Recognized to 512, Guide IZLT2, File E14853
- CSA Certified, Std. C22.2 No. 39, Class 6225-01, File LR47235
- IEC 60269
- IEC 60947
- CE Compliant

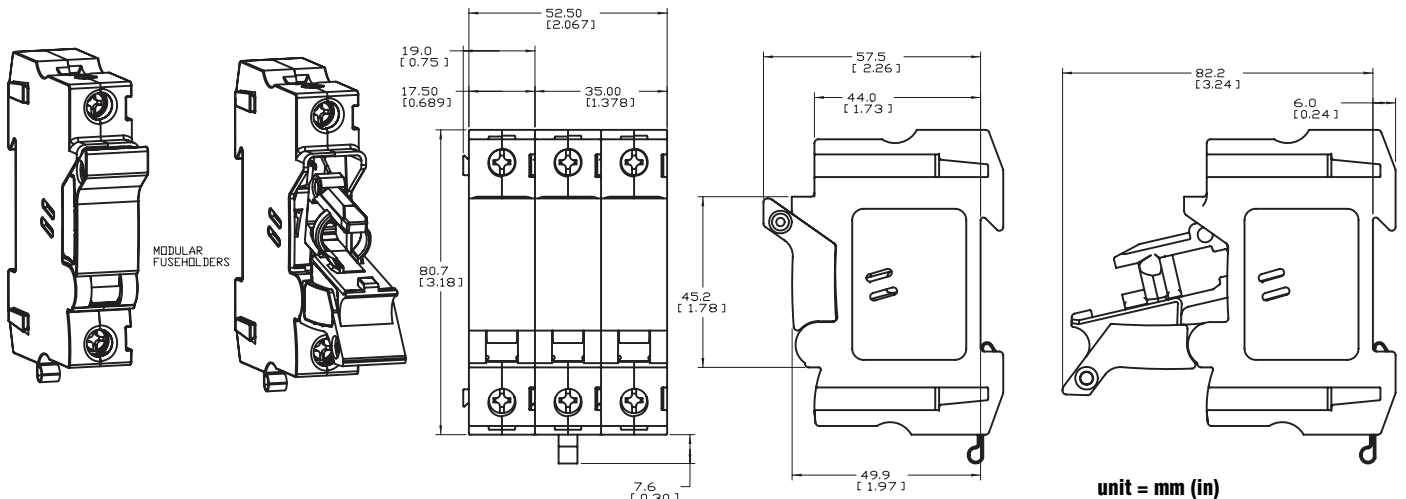
Modular Fuseholder Selection Table																
Series Size	Max Voltage & Current	IEC	UL	CSA	Phase Configuration	No. of 17.5mm Modules	Fuse Holder Without Indication	Box Qty.	Pc. Wt. (lbs.)	Price	Fuse Holder with Neon Indication	Box Qty.	Pc. Wt. (lbs.)	Price	Wire Range	Maximum Torque
CHM Midget Class	UL/CSA 600 VAC/DC, 30A (3 Watt) IEC 690 VAC, 32A	•	†	•	1 pole	1	CHM1D	12	0.14	\$48.00	CHM1DI	12	0.14	\$64.00	1-16mm <sup>2</sup> (18-8 AWG)	2.5 Nm (22 lb-in)
			†	•	2 pole	2	CHM2D	6	0.3	\$50.00	CHM2DI	6	0.3	\$65.00		
			†	•	3 pole	3	CHM3D	4	0.4	\$50.00	CHM3DI	4	0.4	\$66.00		
CHCC Class CC	UL/CSA 600VAC/DC, 30A	††	•	•	1 pole	1	CHCC1D	12	0.14	\$56.00	CHCC1DI	12	0.14	\$72.00		
			•	•	2 pole	2	CHCC2D	6	0.3	\$58.00	CHCC2DI	6	0.3	\$75.00		
			•	•	3 pole	3	CHCC3D	4	0.4	\$58.00	CHCC3DI	4	0.4	\$75.00		

• Holder width as compared to standard 17.5mm module (1 = 17.5mm, 2 = 35mm)

† UL Recognized

†† UL Listed

## Fuse Holders Dimensions



# EDISON FUSES – FUSE BLOCKS

## Description

These panel-mount fuse blocks are for use with Class CC Fuses (Edison EDCC, HCTR and HCLR).



## Specifications

**Terminal type:** Pressure plate with quick disconnect

**Base:** Thermoplastic

**Clips:** Bright tin-plated bronze

**UL Flammability:** 94V0

**Ratings:** 600 VAC, 30 Amps

## Agency Approvals

- UL listed to 512, Guide IZLT, File 14853
- CSA C22.2 No. 39 Class 6225-01, File LR47235
- CE Compliant

### BC Series Fuseblocks

Part Number	Amps	Poles	AWG	Pcs/Pkg	Wt. (lbs.)	Price
BC6031PQ	1 to 30	1	18 - 8	10/1	0.1	\$38.00
BC6032PQ		2		8/1	0.16	\$46.00
BC6033PQ		3		6/1	0.22	\$46.00

### CROSS REFERENCE

EDISON	OLD EDISON	BUSSMANN	GOULD	LITTELFUSE
BC6031PQ	EMR631-77	BC6031PQ	30321R	L60030C-1PQ
BC6032PQ	EMR632-77	BC6032PQ	30322R	L60030C-2PQ
BC6033PQ	EMR633-77	BC6033PQ	30323R	L60030C-3PQ

## Description

These panel-mount fuse blocks are for use with any 13/32" x 1-1/2" Class M Fuses (Edison MCL, MEQ, MEN and MOL).



## Specifications

**Terminal type:** Pressure plate with quick disconnect

**Base:** Thermoplastic

**Clips:** Bright tin-plated bronze

**UL Flammability:** 94V-0

**Ratings:** 600 VAC, 30 Amps

## Agency Approvals

- UL Recognized to 512, Guide IZLT2, File 14853
- CSA C22.2, No.39, Class 6225-01, File 47235

### BM Series Fuseblocks

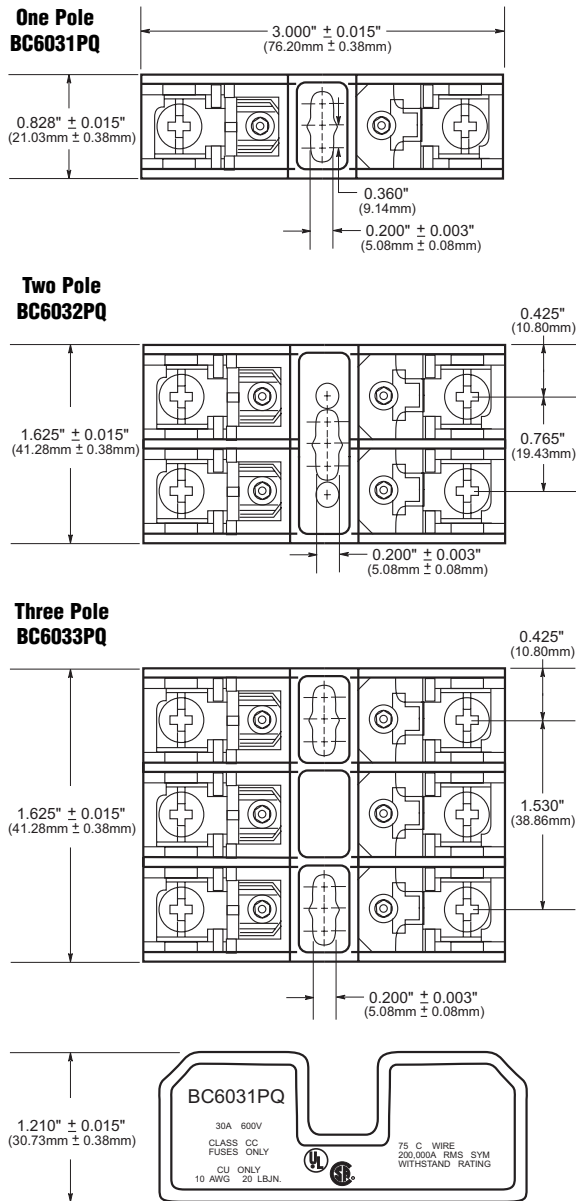
Part Number	Amps	Poles	AWG	Pcs/Pkg	Wt. (lbs.)	Price
BM6031PQ	1 to 30	1	18 - 8	10/1	0.1	\$29.00
BM6032PQ		2		8/1	0.16	\$38.00
BM6033PQ		3		6/1	0.22	\$38.00

### CROSS REFERENCE

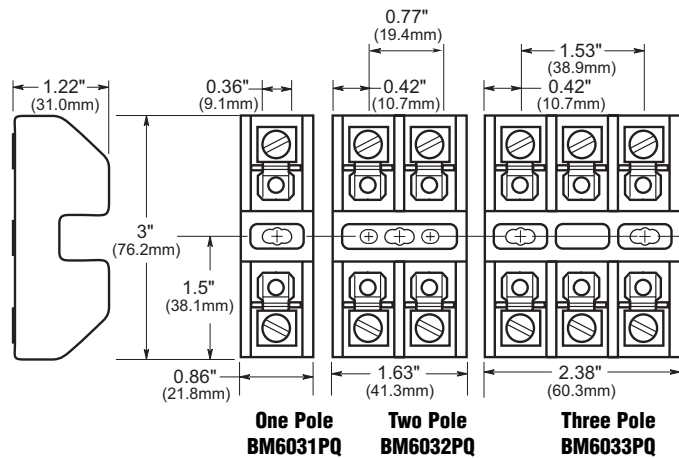
EDISON	OLD EDISON	BUSSMANN	GOULD	LITTELFUSE
BM6031PQ	EM631-44	BM6031PQ	30321	L60030M-1PQ
BM6032PQ	EM632-44	BM6032PQ	30322	L60030M-2PQ
BM6033PQ	EM633-44	BM6033PQ	30323	L60030M-3PQ

# EDISON FUSES – FUSE BLOCK DIMENSIONS

## CC Class Dimensions



## M Class Dimensions



# EDISON FUSES – ACCESSORIES



**FP2**

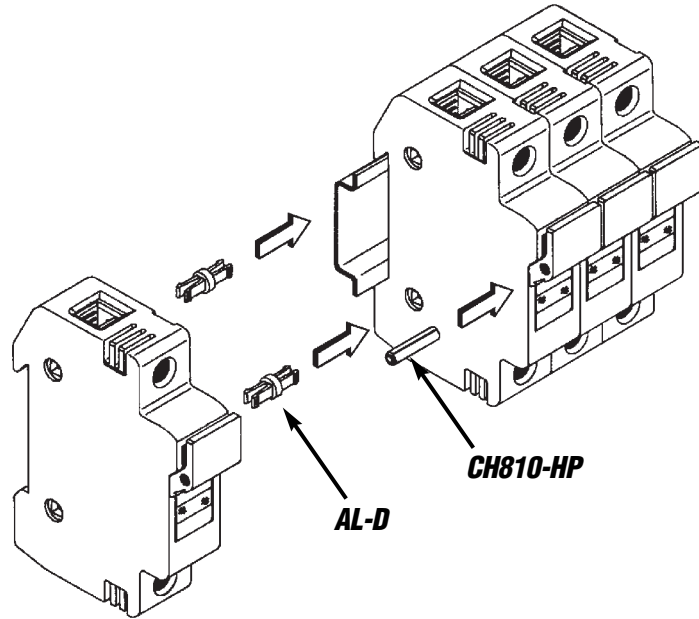


**AL-D**

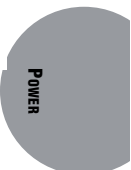


**CH810-HP**

Accessories			
Part Number	Description	Pcs/Pkg	Price
<b>FP-2</b>	Fuse puller for fuse dia. 13/32" - 13/16". Fuse type: 0-60A, 250V; 0-30A, 600V	1 pc/pkg	<--->
<b>AL-D</b>	Plastic connection link for connecting 2 poles of CHM or CHCC holders. 2 links required per connection.	12 pcs/pkg	<--->
<b>CH810-HP</b>	Metal handle pins for connecting 2 poles of CHM or CHCC holders. 1 pin required per connection.	12 pcs/pkg	<--->



# EDISON FUSES – CROSS REFERENCE GUIDE



CROSS REFERENCE GUIDE By manufacturers type reference or series number. Ampere ratings must be added for ordering purposes.									
		VOLT	EDISON	BRUSH/DORMAN	BUSSMANN	FERRAZ	GEC/CEFCO	GOULD	LITTELFUSE
<b>UL CLASS CURRENT LIMITING FUSES (CSA CLASS)</b>									
CC (HRCI-CC)	Time Delay	600	EDCC	—	LP-CC	ATDR	—	ATDR	CCMR
	Time Delay	600	HCTR	—	FNQ-R	ATQR	—	ATQR	KLDR
	Fast Acting	600	HCLR	HCLR	KTK-R	ATMR	CTK-R	ATMR	KLKR
<b>UL CLASS GENERAL PURPOSE FUSES</b>									
Midget	Fast Acting	600	EBS	EBS	BBS	SBS	—	SBS	BLS
		600	MCL	MCL	KTK	ATM	CTK	ATM	KLK
		250	MOL	MOL	BAF/BAN	OTM	—	OTM	BLF
Midget	Time Delay	500	MEQ	MEQ	FNQ	ATQ	—	ATQ	FLQ
		250	MEN	MEN	FNM	TRM	—	TRM	FLM
<b>Fuse Puller</b>									
Fuse Puller FP-2			old - 38072 new - FP-2		FP-2				