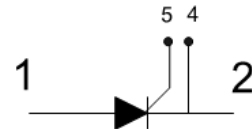


Phase Control Thyristor Module

Types MCO801-14io1 to MCO801-18io1

Absolute Maximum Ratings

V _{RRM} V _{DRM} [V]	Type
1400	MCO801-14io1
1800	MCO801-18io1



	VOLTAGE RATINGS	MAXIMUM LIMITS	UNITS
V _{DRM}	Repetitive peak off-state voltage ¹⁾	1400-1800	V
V _{DSM}	Non-repetitive peak off-state voltage ¹⁾	1400-1800	V
V _{RRM}	Repetitive peak reverse voltage ¹⁾	1400-1800	V
V _{RSM}	Non-repetitive peak reverse voltage ¹⁾	1500-1900	V

	OTHER RATINGS	MAXIMUM LIMITS	UNITS
I _{T(AV)M}	Maximum average on-state current, T _c =85°C ²⁾	830	A
I _{T(AV)M}	Maximum average on-state current, T _c =100°C ²⁾	615	A
I _{T(RMS)M}	Nominal RMS on-state current, T _c =25°C ²⁾	2335	A
I _{T(d.c.)}	D.C. on-state current, T _c =25°C ²⁾	1965	A
I _{TSM}	Peak non-repetitive surge t _p =10ms, V _{rm} =60%V _{RRM} ³⁾	30	kA
I _{TSM2}	Peak non-repetitive surge t _p =10ms, V _{rm} ≤10V ³⁾	33	kA
I ² t	I ² t capacity for fusing t _p =10ms, V _{rm} =60%V _{RRM} ³⁾	4.50×10 ⁶	A ² s
I ² t	I ² t capacity for fusing t _p =10ms, V _{rm} ≤10V ³⁾	5.45×10 ⁶	A ² s
(di/dt) _{cr}	Critical rate of rise of on-state current ⁴⁾	(continuous, 50Hz)	100
		(repetitive, 50Hz, 60s)	200
		(non-repetitive)	400
V _{RGM}	Peak reverse gate voltage	5	V
P _{G(AV)}	Mean forward gate power	4	W
P _{GM}	Peak forward gate power	30	W
V _{ISOL}	Isolation Voltage ⁵⁾	3000	V
T _{vj op}	Operating temperature range	-40 to +130	°C
T _{stg}	Storage temperature range	-40 to +150	°C

Notes:

- 1) De-rating factor of 0.13% per °C is applicable for T_{vj} below 25°C.
- 2) Single phase; 50 Hz, 180° half-sinewave.
- 3) Half-sinewave, 130°C T_{vj} initial.
- 4) V_D = 67% V_{DRM}, I_{FG} = 2 A, t_r ≤ 0.5µs, T_c = 130°C.
- 5) AC RMS voltage, 50 Hz, 1min test

Characteristics

	PARAMETER	MIN.	TYP.	MAX.	TEST CONDITIONS ¹⁾	UNITS
V _{TM}	Maximum peak on-state voltage	-	-	1.43	I _{TM} =2400A	V
		-	-	1.50	I _{TM} =3000A	V
V _{T0}	Threshold voltage	-	-	0.80		V
r _T	Slope resistance	-	-	0.24		mΩ
(dv/dt) _{cr}	Critical rate of rise of off-state voltage	1000	-	-	V _D = 80% V _{DRM} , linear ramp, Gate o/c	V/μs
I _{DRM}	Peak off-state current	-	-	150	Rated V _{DRM}	mA
I _{RDM}	Peak reverse current	-	-	150	Rated V _{RDM}	
V _{GT}	Gate trigger voltage	-	-	2.5	T _{vj} = 25°C, V _D = 12 V, I _T = 3 A	V
I _{GT}	Gate trigger current	-	-	300		mA
I _H	Holding current	-	-	300	T _{vj} = 25°C	mA
I _L	Latching current	-	-	1500	T _{vj} = 25°C	mA
t _{gd}	Gate controlled turn-on delay time	-	0.8	2.0	V _D =40% V _{DRM} , I _T =830A, di/dt=10A/μs, I _{FG} =2A, t _r =0.5μs, T _j =25°C	μs
t _{gt}	Turn-on time	-	1.4	3.0		
Q _{rr}	Recovered Charge	-	2800	3100	I _{TM} =800A, t _p =1000μs, di/dt=10A/μs, V _r =100V	μC
Q _{ra}	Recovered Charge, 50% chord	-	2200	-		μC
I _{rm}	Reverse recovery current	-	160	-		A
t _{rr}	Reverse recovery time, 50% chord	-	27	-		μs
t _q	Turn-off time	-	225	-	I _{TM} =830A, t _p =1000μs, di/dt=10A/μs, V _r =100V, V _{dr} =67%V _{DRM} , dV _{dr} /dt=20V/μs	μs
		-	300	-	I _{TM} =830A, t _p =1000μs, di/dt=10A/μs, V _r =100V, V _{dr} =67%V _{DRM} , dV _{dr} /dt=200V/μs	
R _{thJC}	Thermal resistance, junction to case	-	-	0.042		K/W
R _{thCH}	Thermal resistance, case to heatsink	-	-	0.010		K/W
F ₁	Mounting torque (to heatsink)	5.1	-	6.9		Nm
F ₂	Mounting torque (to terminals)	16.2	-	19.8		Nm
W _t	Weight	-	2.8	-		kg

Notes:

 1) Unless otherwise indicated T_{vj}=130°C.

Notes on Ratings and Characteristics

1.0 Voltage Grade Table

Voltage Grade	V_{DRM} V_{DSM} V_{RRM} V	V_{RSM} V	V_D V_R DC V
14	1400	1500	950
18	1800	1900	1150

2.0 Extension of Voltage Grades

This report is applicable to other voltage grades when supply has been agreed by Sales/Production.

3.0 De-rating Factor

A blocking voltage de-rating factor of 0.13%/°C is applicable to this device for T_{vj} below 25°C.

4.0 Repetitive dv/dt

Standard dv/dt is 1000V/μs.

5.0 Snubber Components

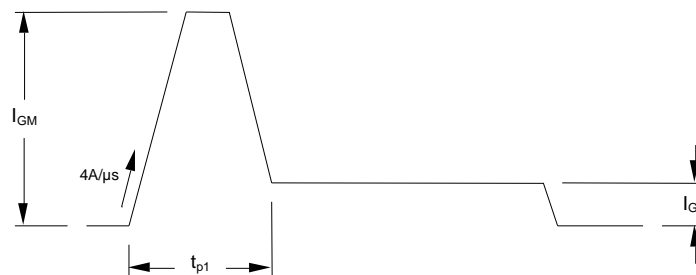
When selecting snubber components, care must be taken not to use excessively large values of snubber capacitor or excessively small values of snubber resistor. Such excessive component values may lead to device damage due to the large resultant values of snubber discharge current. If required, please consult the factory for assistance.

6.0 Rate of rise of on-state current

The maximum un-primed rate of rise of on-state current must not exceed 300A/μs at any time during turn-on on a non-repetitive basis. For repetitive performance, the on-state rate of rise of current must not exceed 150A/μs at any time during turn-on. Note that these values of rate of rise of current apply to the total device current including that from any local snubber network.

7.0 Gate Drive

The nominal requirement for a typical gate drive is illustrated below. An open circuit voltage of at least 30V is assumed. This gate drive must be applied when using the full di/dt capability of the device.



The magnitude of I_{GM} should be between five and ten times I_{GT} , which is shown on page 2. Its duration (t_{p1}) should be 20μs or sufficient to allow the anode current to reach ten times I_L , whichever is greater. Otherwise, an increase in pulse current could be needed to supply the necessary charge to trigger. The 'back-porch' current I_G should remain flowing for the same duration as the anode current and have a magnitude in the order of 1.5 times I_{GT} .

8.0 Computer Modelling Parameters

8.1 Thyristor dissipation calculations

$$I_{AV} = \frac{-V_{T0} + \sqrt{V_{T0}^2 + 4 \cdot ff^2 \cdot r_T \cdot W_{AV}}}{2 \cdot ff^2 \cdot r_T} \quad \text{and:} \quad W_{AV} = \frac{\Delta T}{R_{th}}$$

$$\Delta T = T_{j\max} - T_C$$

Where $V_{T0} = 0.80 \text{ V}$, $r_T = 0.24 \text{ m}\Omega$.

R_{th} = Supplementary thermal impedance, see table below and

ff = Form factor, see table below.

Supplementary Thermal Impedance (Junction to Case)							
Conduction Angle	30°	60°	90°	120°	180°	270°	d.c.
Square wave	0.0465	0.0460	0.0453	0.0448	0.0439	0.0428	0.0420
Sine wave	0.0460	0.0453	0.0447	0.0442	0.0428		

Form Factors							
Conduction Angle	30°	60°	90°	120°	180°	270°	d.c.
Square wave	3.464	2.449	2	1.732	1.414	1.149	1
Sine wave	4.025	2.778	2.22	1.879	1.57		

8.2 Calculating thyristor V_T using ABCD coefficients – For loss calculations

The on-state characteristic, I_T vs. V_T , is represented in two ways;

- the well established V_{T0} and r_T tangent used for rating purposes and
- a set of constants A, B, C, D, forming the coefficients of the representative equation for V_T in terms of I_T given below:

$$V_T = A + B \cdot \ln(I_T) + C \cdot I_T + D \cdot \sqrt{I_T}$$

The constants, derived by curve fitting software, are given below for both hot and cold characteristics. The resulting values for V_T agree with the true device characteristic over a current range, which is limited to that plotted.

25°C Coefficients		130°C Coefficients	
A	0.7422077	A	0.5980003
B	0.04165964	B	5.402853×10^{-3}
C	2.164076×10^{-4}	C	1.545497×10^{-4}
D	-3.218256×10^{-3}	D	7.218154×10^{-3}

8.3 D.C. Thermal Impedance Calculation

$$r_t = \sum_{p=1}^{p=n} r_p \cdot \left(1 - e^{-\frac{t}{\tau_p}} \right)$$

Where $p = 1$ to n

- n = number of terms in the series and
- t = Duration of heating pulse in seconds.
- r_t = Thermal resistance at time t .
- r_p = Amplitude of p^{th} term.
- τ_p = Time Constant of r_{th} term.

The coefficients for this device are shown in the tables below:

D.C. Junction to Case			
Term	1	2	3
r_p	0.01904887	0.01751398	5.364393×10^{-3}
τ_p	21.99824	1.079638	0.0132514

9.0 Reverse recovery ratings

(i) Q_{ra} is based on 50% I_{RM} chord as shown in Fig. 1

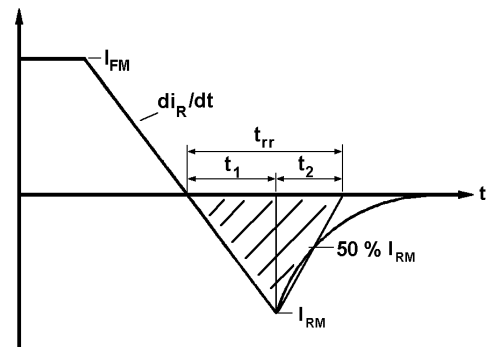


Fig. 1

(ii) Q_{rr} is based on a $150 \mu s$ integration time i.e.

$$Q_{rr} = \int_0^{150 \mu s} i_{rr} \cdot dt$$

(iii)

$$K \text{ Factor} = \frac{t_1}{t_2}$$

Curves

Figure 1 – On-state characteristics of Limit device

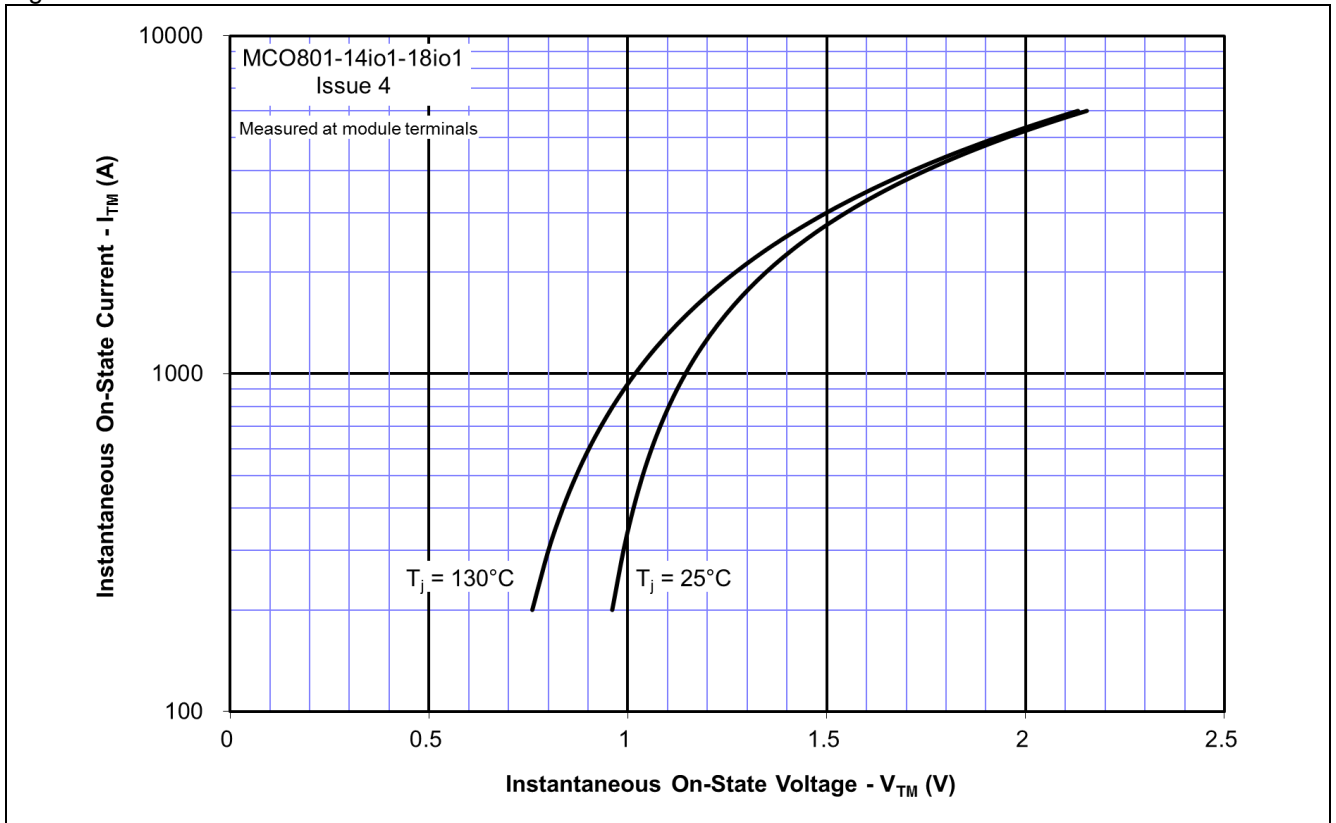


Figure 2 – Gate characteristics – Trigger limits

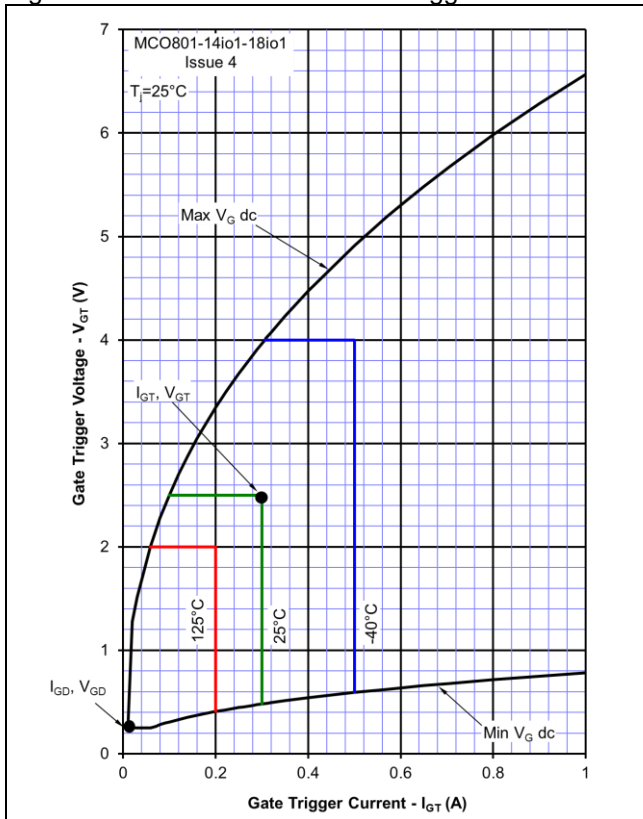


Figure 3 – Gate characteristics – Power curves

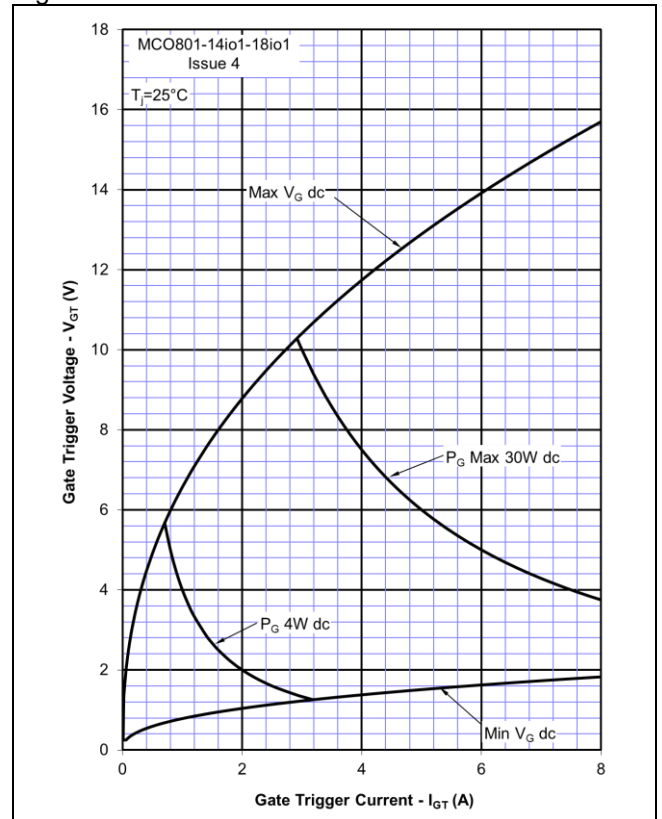


Figure 4 – On-state current vs. Power dissipation – Sine wave

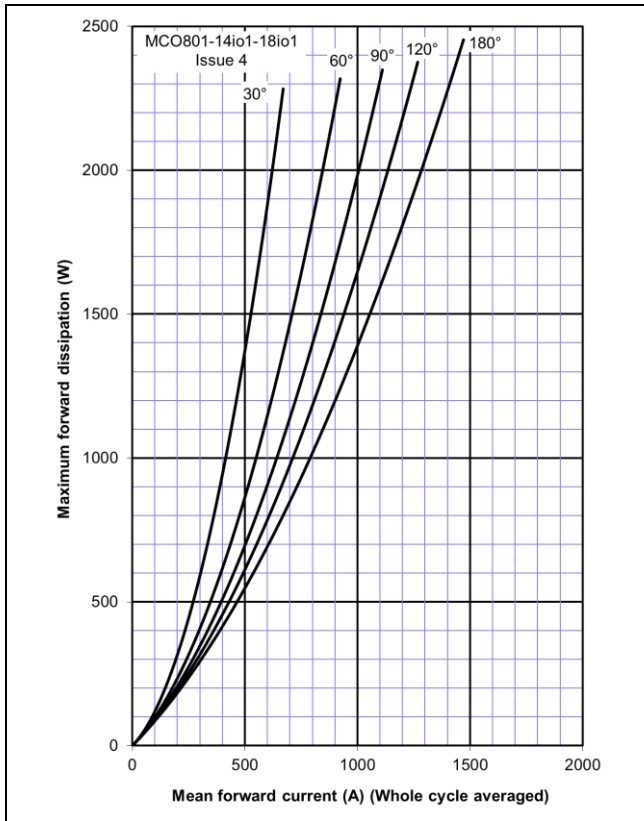


Figure 5 – On-state current vs. Heatsink temperature – Sine wave

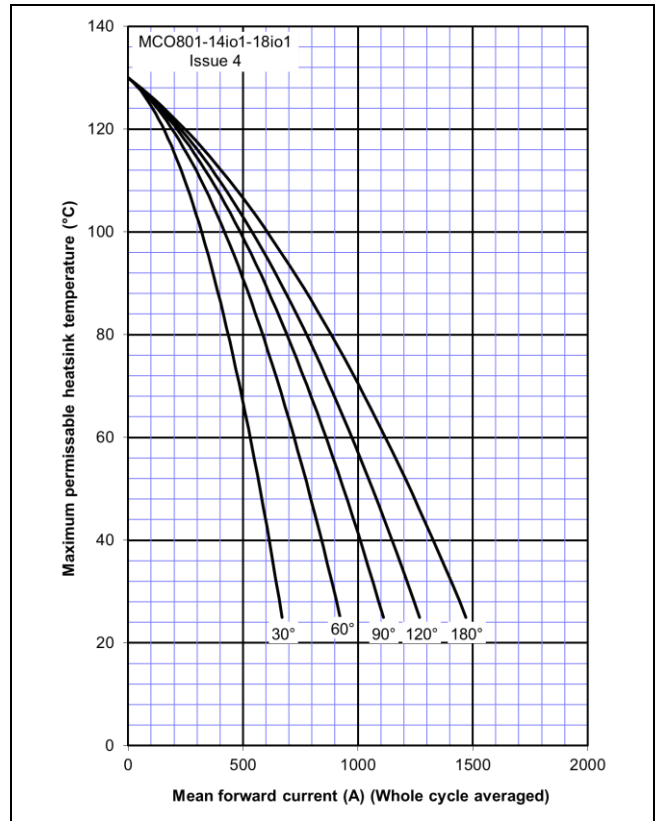


Figure 6 – On-state current vs. Power dissipation – Square wave

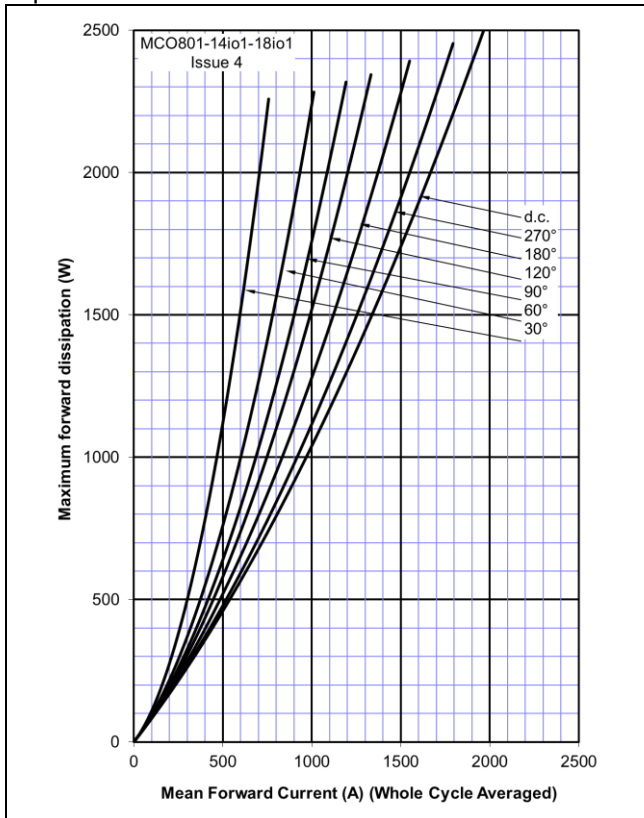


Figure 7 – On-state current vs. Heatsink temperature – Square wave

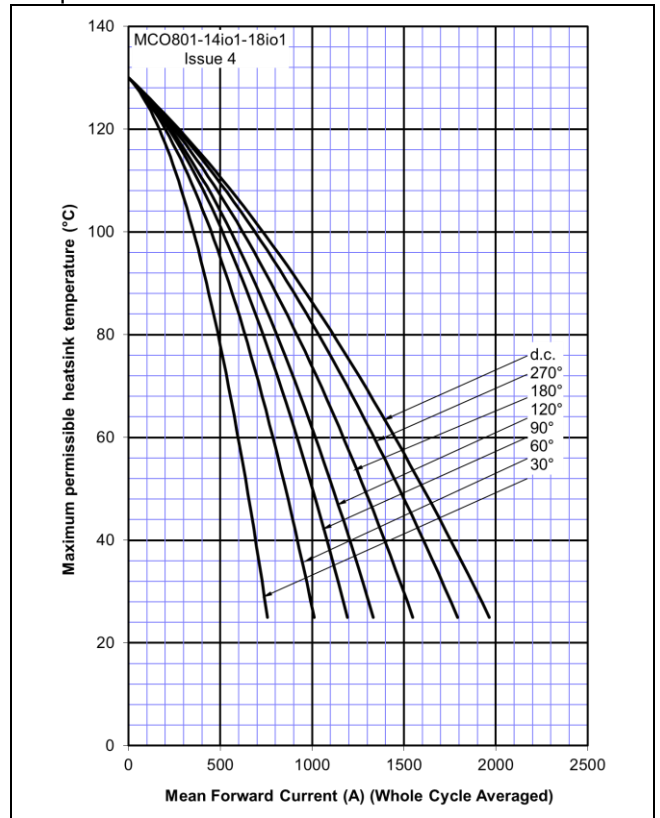


Figure 8 – Maximum surge and I²t Ratings

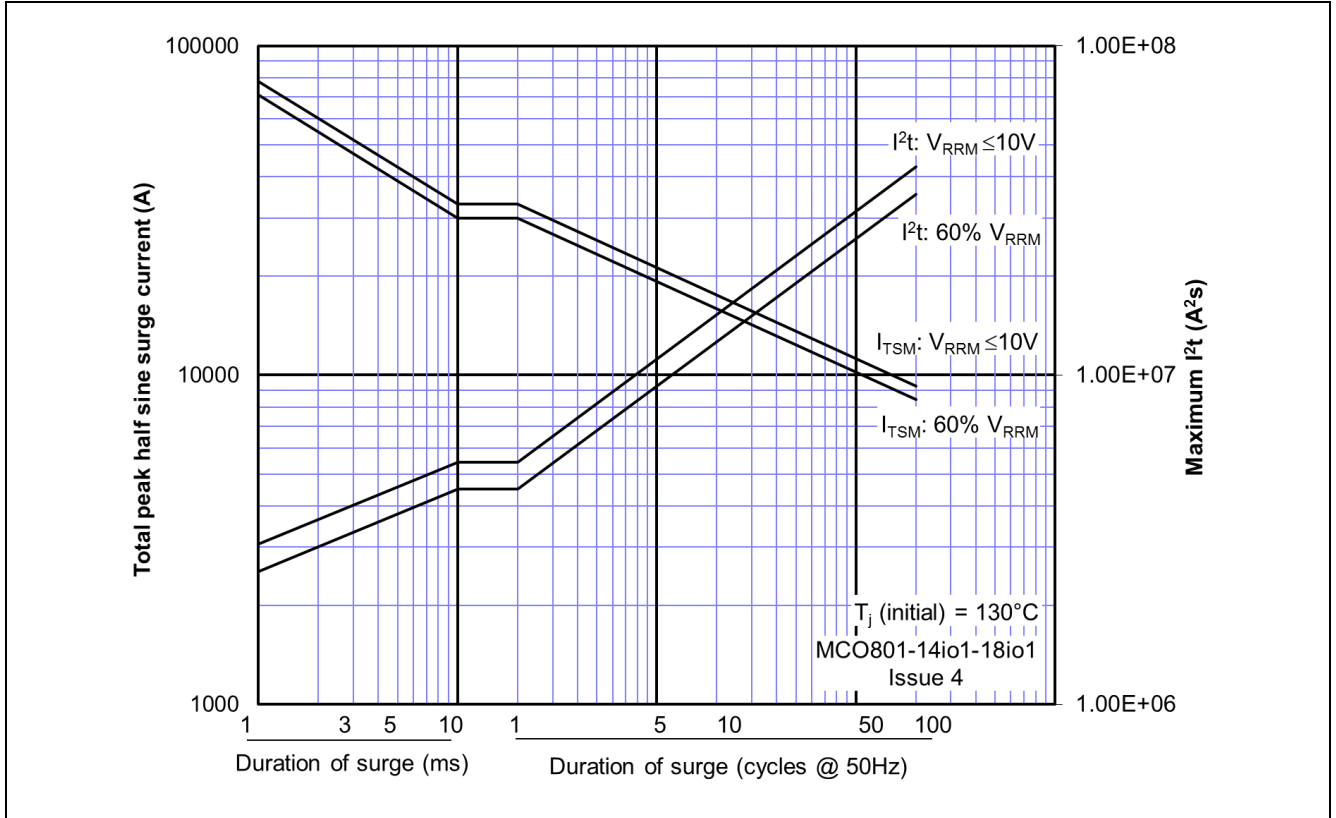
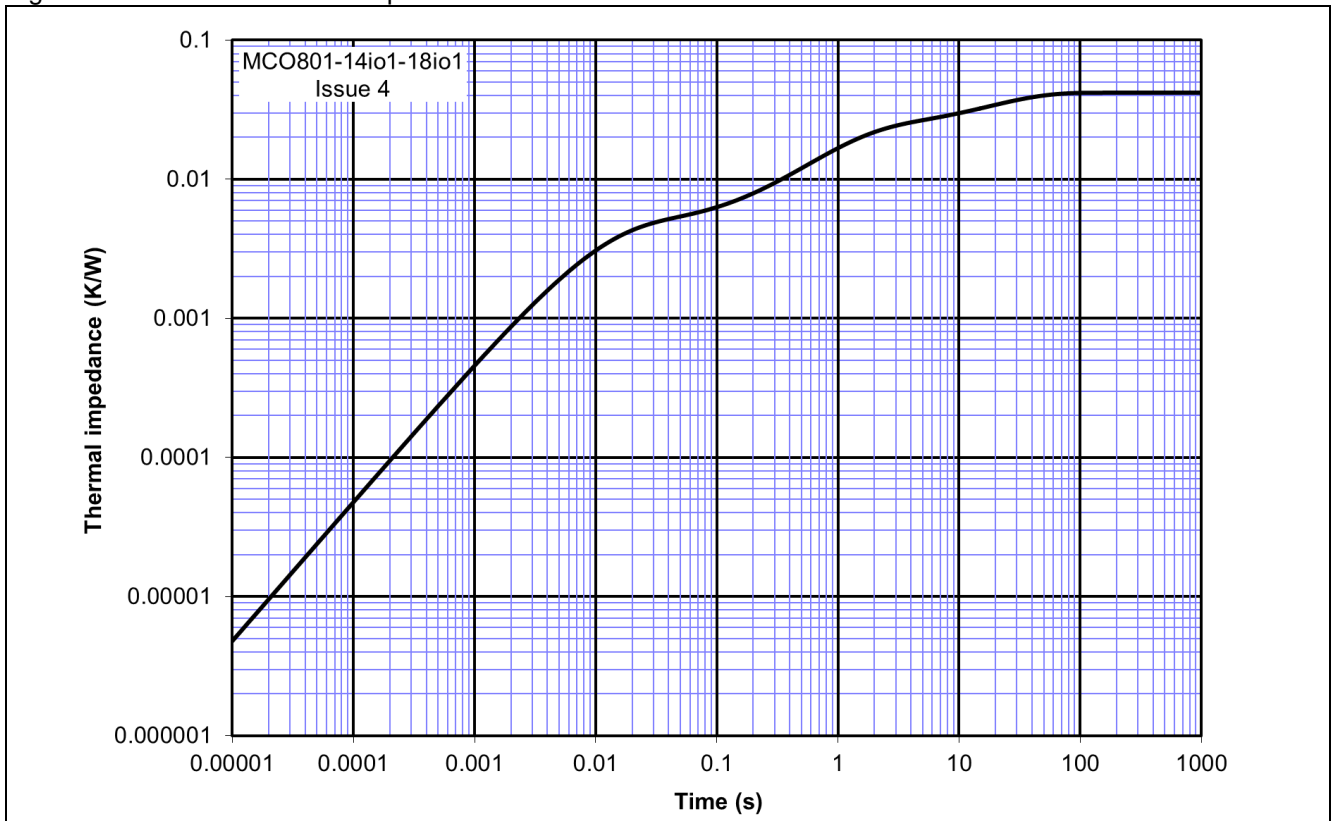
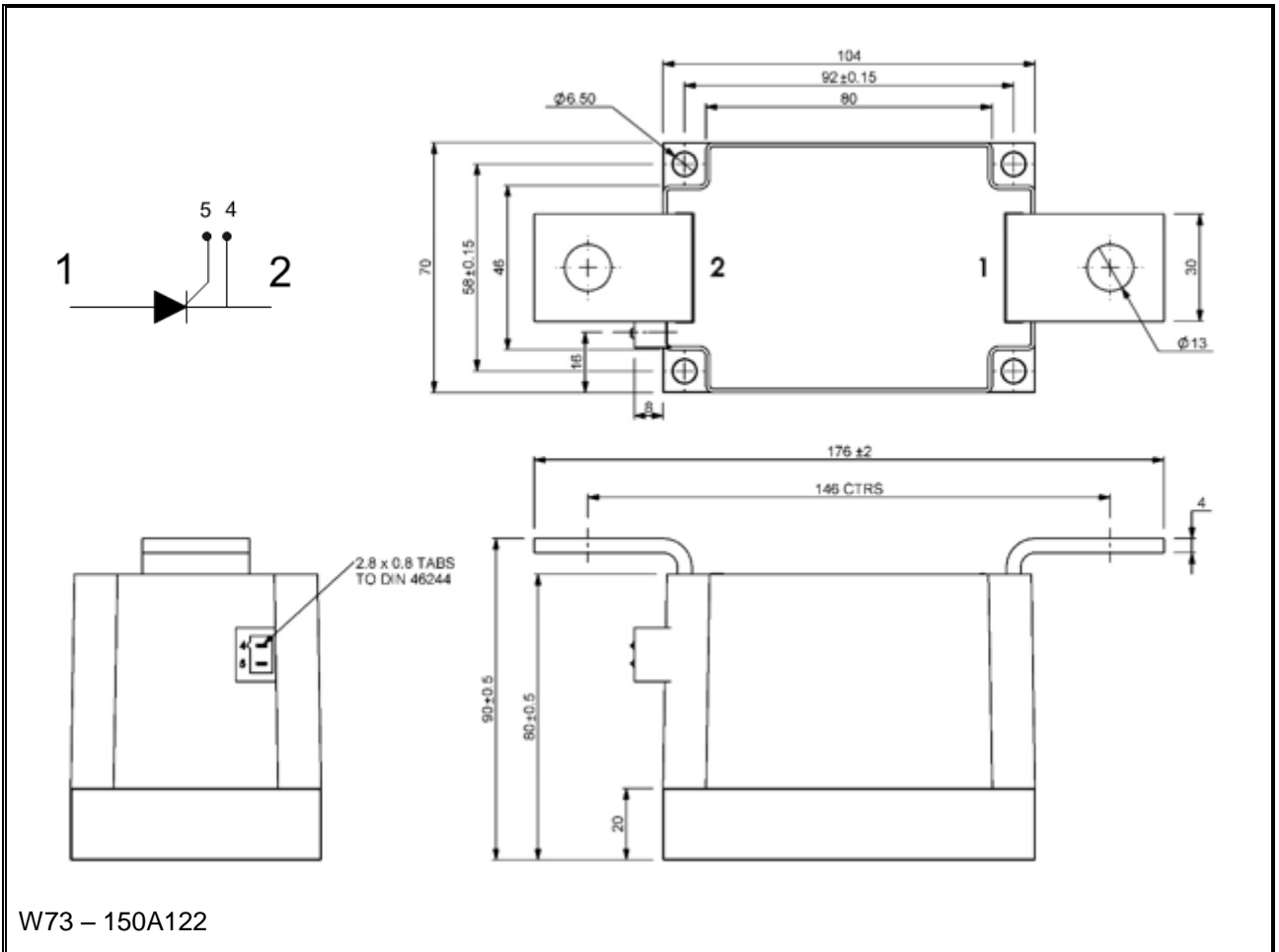


Figure 9 – Transient Thermal Impedance



Outline Drawing & Ordering Information



W73 – 150A122

ORDERING INFORMATION

(Please quote 11 digit code as below)

M	CO	801	◆◆	io	1
Fixed Type Code	Fixed Configuration code	Nominal Current Rating	Voltage code $V_{RRM}/100$ 14-18	i = Critical dv/dt 1000 V/μs o = Typical turn-off time	Fixed Version Code

Typical order code: MCO801-18io1, 1800V V_{DRM} , V_{RRM} thyristor module

IXYS Semiconductor GmbH
Edisonstraße 15
D-68623 Lampertheim
Tel: +49 6206 503-0
Fax: +49 6206 503-627
E-mail: marcom@ixys.de



IXYS UK Westcode Ltd
Langley Park Way, Langley Park,
Chippenham, Wiltshire, SN15 1GE.
Tel: +44 (0)1249 444524
Fax: +44 (0)1249 659448
E-mail: sales@ixysuk.com

IXYS Corporation
1590 Buckeye Drive
Milpitas CA 95035-7418
Tel: +1 (408) 547 9000
Fax: +1 (408) 496 0670
E-mail: sales@ixys.net

www.ixysuk.com

www.ixys.com

IXYS Long Beach, Inc
IXYS Long Beach, Inc
2500 Mira Mar Ave, Long Beach
CA 90815
Tel: +1 (562) 296 6584
Fax: +1 (562) 296 6585
E-mail: service@ixyslongbeach.com

The information contained herein is confidential and is protected by Copyright. The information may not be used or disclosed except with the written permission of and in the manner permitted by the proprietors IXYS UK Westcode Ltd.

© IXYS UK Westcode Ltd.

In the interest of product improvement, IXYS UK Westcode Ltd reserves the right to change specifications at any time without prior notice.

Devices with a suffix code (2-letter, 3-letter or letter/digit/letter combination) added to their generic code are not necessarily subject to the conditions and limits contained in this report.