

Temperature Switch with Selectable Hysteresis

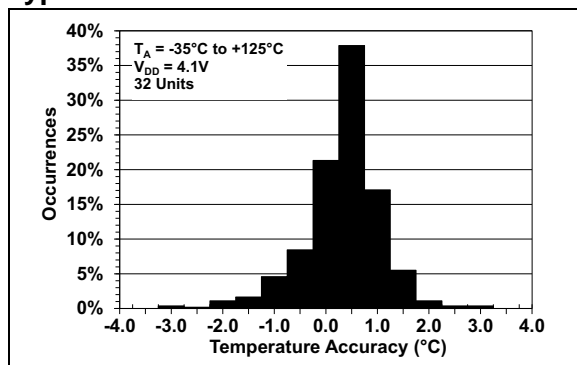
Features

- Factory Set Temperature Switch
- Available Temperature Switch Thresholds:
 - $T_{SET} = -35^{\circ}\text{C}, -25^{\circ}\text{C}, -15^{\circ}\text{C}, -5^{\circ}\text{C}, +5^{\circ}\text{C}, +15^{\circ}\text{C}, +25^{\circ}\text{C}, +35^{\circ}\text{C}, +45^{\circ}\text{C}, +55^{\circ}\text{C}, +65^{\circ}\text{C}, +75^{\circ}\text{C}, +85^{\circ}\text{C}, +95^{\circ}\text{C}, +105^{\circ}\text{C}, +115^{\circ}\text{C}, +125^{\circ}\text{C}$
- Wide Operating Voltage Range: 2.7V to 5.5V
- Low Supply Current: 25 μA (typical)
- Qualification: AEC-Q100 Rev. G, Grade 1 (-40°C to +125°C)
- Temperature Switch Accuracy:
 - $\pm 1^{\circ}\text{C}$ (typical)
 - $\pm 4^{\circ}\text{C}$ (maximum) between -15°C to $+75^{\circ}\text{C}$
 - $\pm 6^{\circ}\text{C}$ (maximum) between -40°C to $+125^{\circ}\text{C}$
- Switch Threshold Options (Hot/Cold):
 - Rising temperature: MCP9501/2 (Hot option)
 - Falling temperature: MCP9503/4 (Cold option)
- Output Configuration Options:
 - Active-low, open-drain output: MCP9501/3
 - Uses external pull-up resistor
 - Active-high, push-pull output: MCP9502/4
- User-Selectable Hysteresis: $+2^{\circ}\text{C}$ or $+10^{\circ}\text{C}$ (typical)
- 5-Lead SOT-23 Package

Applications

- Power Supply Critical Temperature Shutdown
- Temperature Alarm
- Thermostat Control
- Fan Control
- Base Stations
- Automotive

Typical Performance



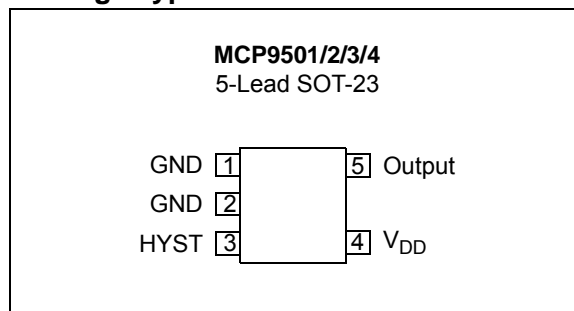
Description

Microchip Technology's MCP9501/2/3/4 family devices are temperature switches with $\pm 1^{\circ}\text{C}$ (typical) accurate factory set output thresholds. These devices are ideal for high-power supply systems where an overtemperature protection circuit is needed. These devices do not require external components, consume 25 μA (typical), and the factory set thresholds provide simplicity.

In addition, this family of devices provides user-selectable $+2^{\circ}\text{C}$ and $+10^{\circ}\text{C}$ (typical) switch hysteresis, and various output configurations. The MCP9501/2 outputs switch for rising temperatures, while the MCP9503/4 devices switch for falling temperatures, with the relative hysteresis at the set thresholds. This family of devices is also available with an active-high, push-pull output (MCP9502/4) and an active-low, open-drain output (MCP9501/3). The push-pull output is ideal for a microcontroller interface, while the open-drain output can be used for level shifting, wired-OR configuration or as a heater on/off switch.

The MCP9501/2/3/4 devices operate from a 2.7V to 5.5V supply. This family is available with the space-saving 5-lead SOT-23 package.

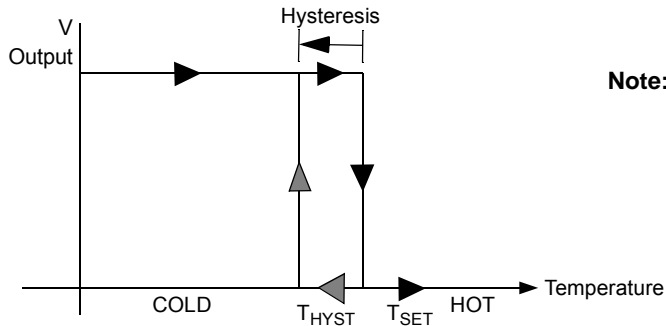
Package Types



MCP9501/2/3/4

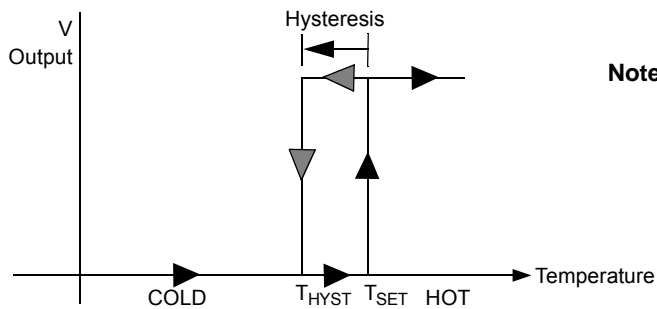
OUTPUT FUNCTIONAL DESCRIPTION

MCP9501, Hot Option (Open-Drain, Active-Low)



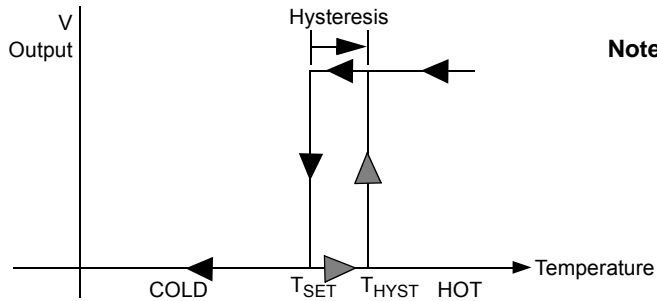
Note: Available temperature thresholds for Option P or for rising temperature only: +5°C, +15°C, +25°C, +35°C, +45°C, +55°C, +65°C, +75°C, +85°C, +95°C, +105°C, +115°C, +125°.

MCP9502, Hot Option (Push-Pull, Active-High)



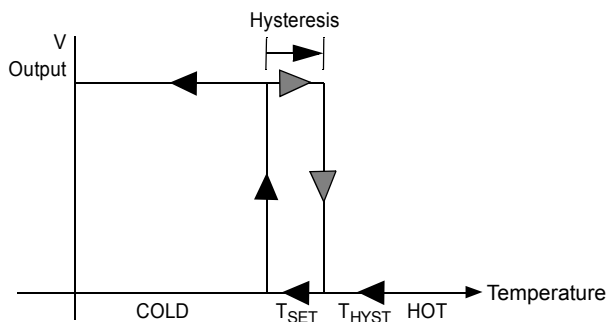
Note: Available temperature thresholds for Option P or for rising temperature only: +5°C, +15°C, +25°C, +35°C, +45°C, +55°C, +65°C, +75°C, +85°C, +95°C, +105°C, +115°C, +125°.

MCP9503, Cold Option (Open-Drain, Active-Low)



Note: Available temperature thresholds for Option P or for rising temperature only: +5°C, +15°C, +25°C.
Available temperature thresholds for Option N or for falling temperature only: -35°C, -25°C, -15°C, -5°C.

MCP9504, Cold-Option (Push-Pull, Active-High)



Note: Available temperature thresholds for Option P or for rising temperature only: +5°C, +15°C, +25°C.
Available temperature thresholds for Option N or for falling temperature only: -35°C, -25°C, -15°C, -5°C.
Contact Microchip for all other threshold options.

1.0 ELECTRICAL CHARACTERISTICS

Absolute Maximum Ratings^(†)

V_{DD}	6.0V
Voltage on All Input/Output Pins – GND	0.3V to 6.0V
Input/Output Current	20 mA
Storage Temperature	-65°C to +150°C
Ambient Temperature with Power Applied	-40°C to +125°C
Junction Temperature (T_J)	+150°C
ESD Protection on All Pins:	
HBM.....	4 kV
MM.....	400V
Latch-up Current at Each Pin (+25°C).....	±200 mA

† **Notice:** Stresses above those listed under “Maximum Ratings” may cause permanent damage to the device. This is a stress rating only and functional operation of the device at those or any other conditions above those indicated in the operational listings of this specification is not implied. Exposure to maximum rating conditions for extended periods may affect device reliability.

DC CHARACTERISTICS

Electrical Specifications: Unless otherwise indicated, $V_{DD} = 2.7V$ to $5.5V$, $T_A = -40^\circ C$ to $+125^\circ C$, GND = Ground.						
Parameters	Symbol	Minimum	Typical	Maximum	Unit	Conditions
Sensor Accuracy	—	-4	±1	+4	°C	$-15^\circ C \leq T_A \leq +75^\circ C$ (Note 1)
		-6	±2	+6	°C	$-40^\circ C \leq T_A \leq +125^\circ C$
Power Supply						
Operating Voltage	V_{DD}	2.7	—	5.5	V	
Operating Current	I_{DD}	—	25	40	µA	
Line Regulation	$\Delta^\circ C/\Delta V$	—	0.2	—	°C/V	$V_{DD} = 2.7V$ to $5.5V$
Hysteresis						
Trip Point Hysteresis	T_{HYST}	—	2	—	°C	HYST = GND
			10	—	°C	HYST = V_{DD}
Hysteresis Select Input	V_{IH}	$0.8 V_{DD}$	—	—	V	
	V_{IL}	—	—	$0.2 V_{DD}$	V	
	I_{LEAK}	—	0.1	—	µA	
Open-Drain Output Leakage	I_{LEAK}	—	0.1	10	µA	MCP9501/3
Output Voltage High	V_{OH}	$0.8 V_{DD}$	—	—	V	$I_{OUT} = 5$ mA (MCP9502/4)
Output Voltage Low	V_{OL}	—	—	$0.2 V_{DD}$	V	$I_{OUT} = 5$ mA
Turn On Time	T_{ON}	—	1	—	ms	
Response Time to Thermal Shock: SOT23-5	T_{RES}	—	1.7	—	s	Time to 63% (+89°C), +25°C (air) to +125°C (oil bath)

Note 1: This specification is tested at mid-supply of 4.1V for optimum operation across the supply voltage range of 2.7V to 5.5V.

MCP9501/2/3/4

TEMPERATURE SPECIFICATIONS

Electrical Specifications: Unless otherwise indicated, $V_{DD} = 2.7V$ to $5.5V$, $T_A = -40^{\circ}C$ to $+125^{\circ}C$, GND = Ground.						
Parameters	Symbol	Minimum	Typical	Maximum	Unit	Conditions
Temperature Ranges						
Specified Temperature Range	T_A	-40	—	+125	$^{\circ}C$	(Note 1)
Operating Temperature Range	T_A	-40	—	+125	$^{\circ}C$	
Storage Temperature Range	T_A	-65	—	+150	$^{\circ}C$	
Thermal Package Resistances						
Thermal Resistance	θ_{JA}	—	220.7	—	$^{\circ}C/W$	

Note 1: Operation in this range must not cause T_J to exceed the maximum junction temperature ($+150^{\circ}C$).

2.0 TYPICAL PERFORMANCE CURVES

Note: The graphs and tables provided following this note are a statistical summary based on a limited number of samples and are provided for informational purposes only. The performance characteristics listed herein are not tested or guaranteed. In some graphs or tables, the data presented may be outside the specified operating range (e.g., outside specified power supply range) and therefore outside the warranted range.

Note: Unless otherwise indicated, $V_{DD} = 2.7V$ to $5.5V$, $T_A = -40^\circ C$ to $+125^\circ C$, GND = Ground, $R_{PULL-UP} = 10\text{ k}\Omega$ (MCP9501/3 only) and $0.1\text{ }\mu F$ bypass capacitor.

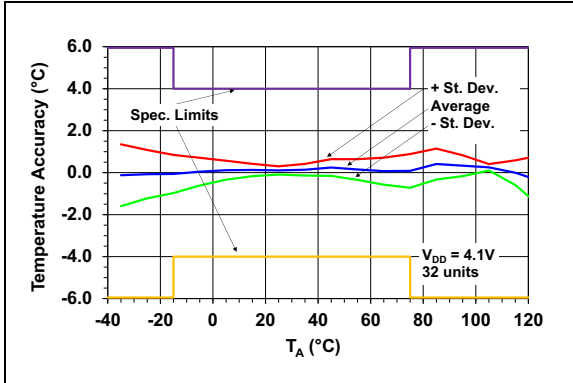


FIGURE 2-1: Temperature Accuracy.

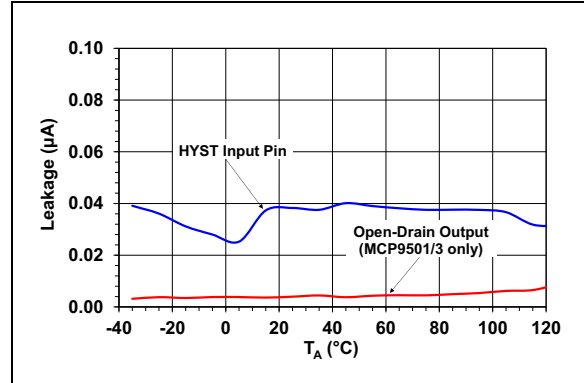


FIGURE 2-4: Leakage vs. Temperature.

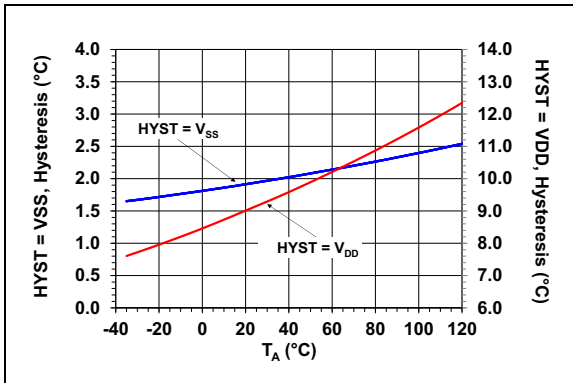


FIGURE 2-2: Hysteresis vs. Temperature.

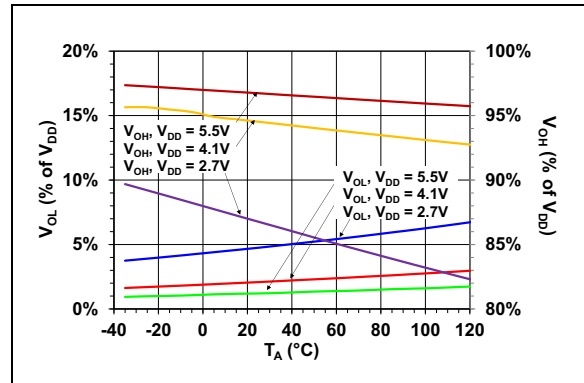


FIGURE 2-5: V_{OL} , V_{OH} vs. Temperature.

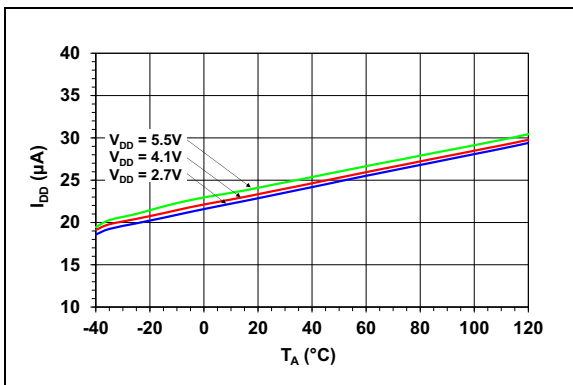


FIGURE 2-3: Supply Current vs. Temperature.

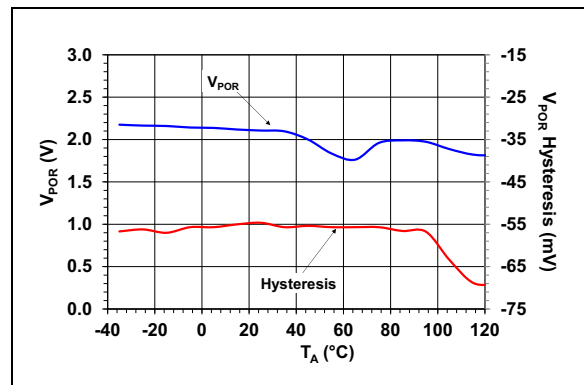


FIGURE 2-6: Power-on Reset Threshold vs. Temperature.

MCP9501/2/3/4

Note: Unless otherwise indicated, $V_{DD} = 2.7V$ to $5.5V$, $T_A = -40^{\circ}C$ to $+125^{\circ}C$, GND = Ground, $R_{PULL-UP} = 10\ k\Omega$ (MCP9501 only) and $0.1\ \mu F$ bypass capacitor.

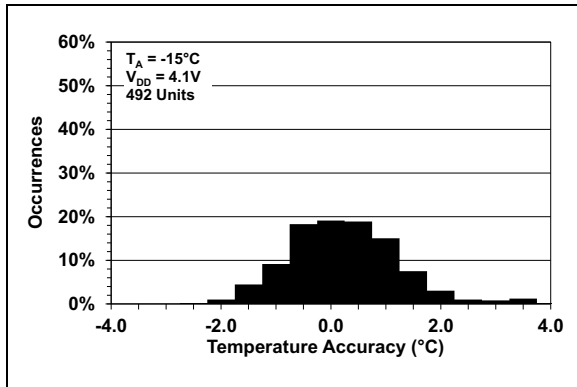


FIGURE 2-7: Temperature Accuracy Distribution at $-15^{\circ}C$.

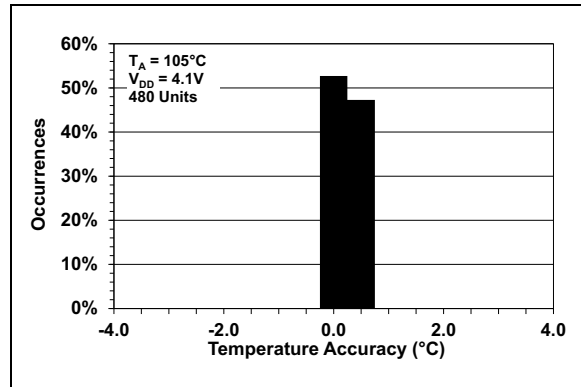


FIGURE 2-10: Temperature Accuracy Distribution at $+105^{\circ}C$.

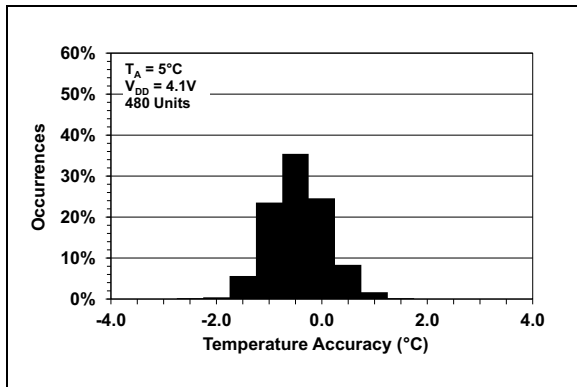


FIGURE 2-8: Temperature Accuracy Distribution at $+5^{\circ}C$.

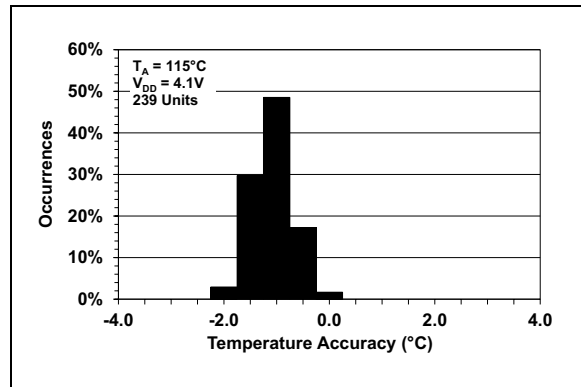


FIGURE 2-11: Temperature Accuracy Distribution at $+115^{\circ}C$.

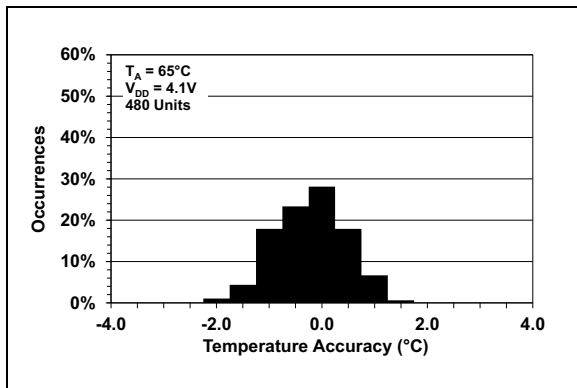


FIGURE 2-9: Temperature Accuracy Distribution at $+65^{\circ}C$.

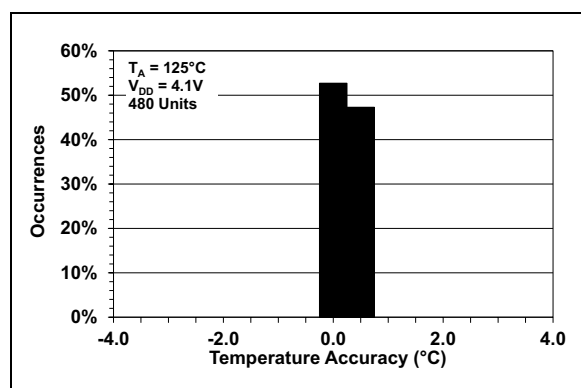


FIGURE 2-12: Temperature Accuracy Distribution at $+125^{\circ}C$.

3.0 PIN DESCRIPTION

The description of the pins is listed in [Table 3-1](#).

TABLE 3-1: PIN FUNCTIONS

MCP9501/2/3/4	Symbol	Description
5-Lead SOT-23		
1	GND	Ground
2	GND	Ground (must be connected to ground)
3	HYST	Hysteresis Selection Input: HYST = GND → Hysteresis is +2°C (typical) HYST = V _{DD} → Hysteresis is +10°C (typical)
4	V _{DD}	Power Pin
5	Output	Output Options: MCP9501 → Open-Drain, Active-Low Output (Hot Option) MCP9502 → Push-Pull, Active-High Output (Hot Option) MCP9503 → Open-Drain, Active-Low Output (Cold Option) MCP9504 → Push-Pull, Active-High Output (Cold Option)

3.1 Ground (GND)

The GND pin is the system ground pin. Pin 2 must be connected to system ground. Pin 1 can also be connected to system ground which would provide better thermal conduction to the die.

3.2 Hysteresis Input (HYST)

This is an input pin which can be connected to V_{DD} or GND to select the output hysteresis. Either +2°C (HYST = GND) or +10°C (HYST = V_{DD}) of the typical hysteresis can be selected.

3.3 Power Pin (V_{DD})

The operating voltage range, as specified in the “[DC Characteristics](#)” table, is applied to this pin.

3.4 Switch Output (Output)

This output is triggered when the temperature rises or falls beyond the programmed trip temperature threshold. MCP9501/3 devices require an external pull-up resistor.

MCP9501/2/3/4

NOTES:

4.0 FUNCTIONAL DESCRIPTION

The MCP9501/2/3/4 temperature switch family integrates a thermal diode, a comparator and a factory-selectable resistive network used to set the temperature thresholds. The available output thresholds range from -35°C to $+125^{\circ}\text{C}$ at 10°C increments. There is no additional configuration required to operate this device. The selectable output hysteresis is controlled using a single input pin. When this pin is connected to ground, the output hysteresis is $+2^{\circ}\text{C}$ (typical), and when connected to V_{DD} , the output hysteresis is $+10^{\circ}\text{C}$ (typical). Figure 4-1 shows the functional block diagram.

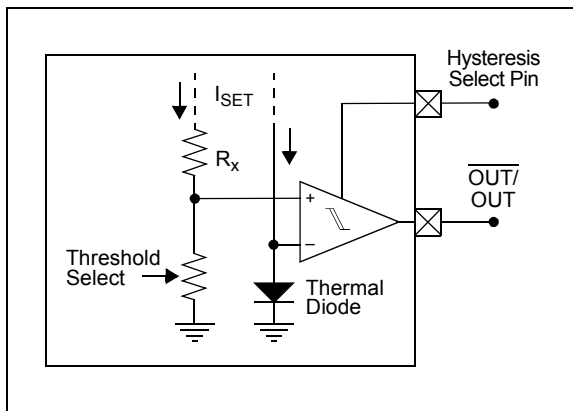


FIGURE 4-1: Functional Block Diagram.

There are two output configurations for this family: a push-pull, and an open-drain output with active-high and active-low assertions. These assertion options are referred to as Cold and Hot options, primarily due to the direction of the selected hysteresis. For the Cold option, temperature has to fall below the threshold for the output to assert high and deassert low when the temperature rises above the threshold plus the hysteresis. For example, for a $+65^{\circ}\text{C}$ threshold and $+2^{\circ}\text{C}$ (typical) hysteresis, when temperature falls below $+65^{\circ}\text{C}$, the output asserts high and deasserts low when temperature rises above $+67^{\circ}\text{C}$. For the Hot option, the opposite is true. When temperature rises above $+65^{\circ}\text{C}$, the output asserts low and deasserts high when the temperature falls below $+63^{\circ}\text{C}$. Figure 4-2 shows a graphical description for the Hot and Cold options.

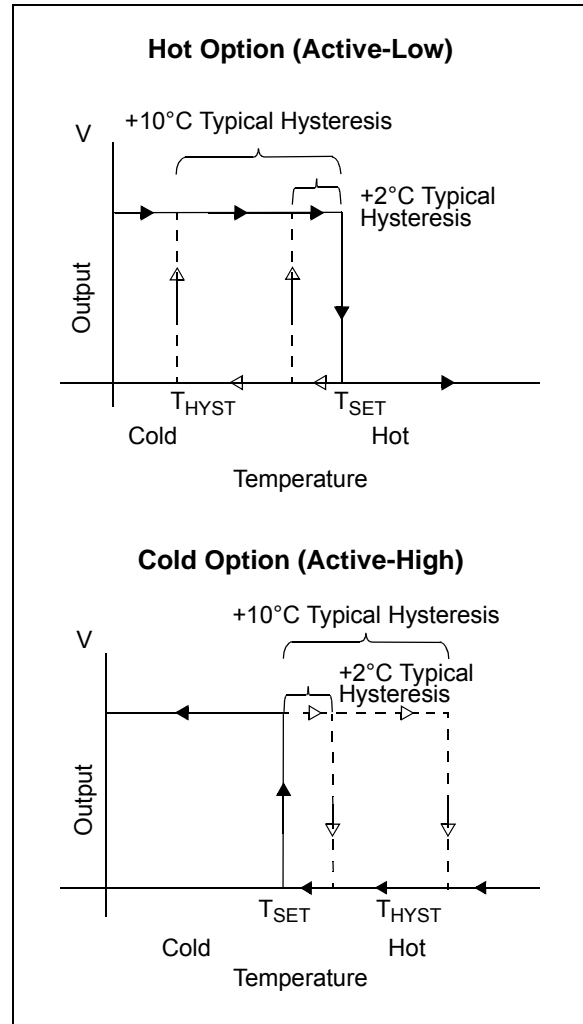


FIGURE 4-2: Output Hysteresis.

The push-pull output is ideal for a microcontroller interface using an input/output pin or an interrupt input pin. The open-drain option can be used with multiple sensors in a wired-OR configuration or as a level shifter.

MCP9501/2/3/4

4.1 Application Information

The MCP9501/2/3/4 temperature switch family integrates a temperature sensor and a comparator circuit, which outputs an alert signal when the factory set temperature threshold is exceeded. No additional component is required for device operation, which provides simplicity to the system designer. The device output options provide design flexibility for various applications, such as overtemperature protection circuit or a closed-loop temperature control unit. This device can be interfaced to a closed-loop fan controller network without the need for a microcontroller.

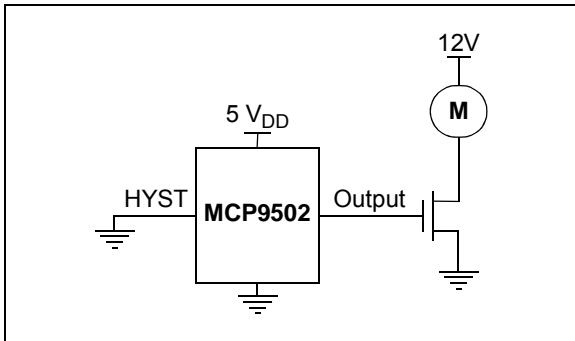


FIGURE 4-3: Fan Controller Using MCP9502.

The MCP9501/2/3/4 family provides an open-drain output, where multiple sensors from multiple PCB hotspots, can be connected to a single processor I/O input with a wired-OR configuration. The MCP9501 requires an external pull-up resistor, which can be used to level shift the alert signal. For example, if the sensors are powered with $5 V_{DD}$ and the controller or processor is powered with $3 V_{DD}$, the external resistor can be level shifted by connecting $3 V_{DD}$ to the pull-up resistor, as shown in Figure 4-4.

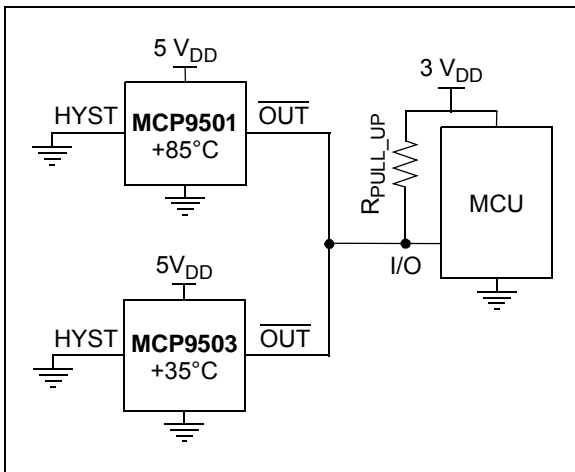


FIGURE 4-4: MCP9501 Wired-OR Output Configuration with Level Shift.

4.1.1 LAYOUT CONSIDERATION AND THERMAL CONSIDERATION

This family of sensors measures temperature by monitoring the voltage level of a thermal diode located in the die. A low-impedance thermal path between the die and the PCB is provided by the pins. Therefore, the sensor effectively monitors PCB temperature. For efficient performance, it is recommended to layout the device as close to the heat source as possible.

When connecting an external resistor to the MCP9501/3, the current through the pull-up resistor must be considered to prevent self-heat due to power. This can be determined using Equation 4-1.

EQUATION 4-1: EFFECT OF SELF-HEATING

$$T_J - T_A = \theta_{JA}(V_{DD} \times I_{DD} + V_{OL} \times I_{OUT})$$

Where:

T_J = Junction Temperature

T_A = Ambient Temperature

θ_{JA} = Package Thermal Resistance
(220.7°C/W)

V_{OL} = Sensor Output Low Voltage

I_{OUT} = Output Current

For example, at room temperature, when the output asserts active-low and the maximum $I_{DD} = 50 \mu\text{A}$, $V_{DD} = 5.5\text{V}$, $V_{OL} = 0.3\text{V}$ and $I_{OUT} = 5 \text{mA}$ (see “DC Characteristics”), the self-heating due to power dissipation ($T_J - T_A$) is $\sim 0.4^\circ\text{C}$.

4.1.2 POWER SUPPLY REJECTION

The MCP9501/2/3/4 family does not require any additional components. However, it is recommended that a decoupling capacitor of 0.1 μF to 1 μF be used between the V_{DD} and GND pins. A high-frequency ceramic capacitor is recommended. It is necessary for the capacitor to be located as close as possible to the power pins in order to provide effective noise protection.

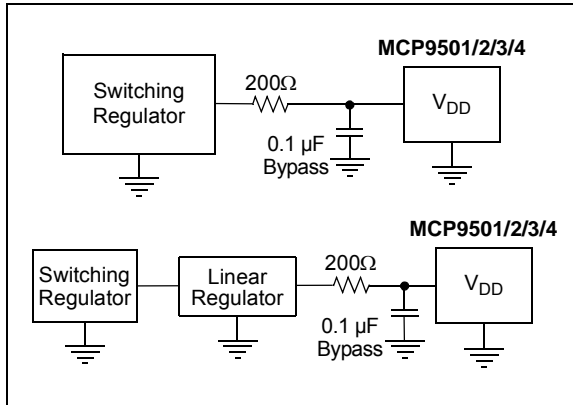


FIGURE 4-5: Power Supply Filter Using a Single Resistor.

For applications where a switching regulator is used to power the sensor, it is recommended to add a 200 Ω resistor in series to V_{DD} to filter out the switcher noise. It is also recommended to add the series resistor in applications where a linear regulator is used to step-down a switching regulator voltage to power the sensor, as shown in Figure 4-5. For example, if a linearly regulated 3.3V from a 5V switching regulator is used to power the sensor, add a 200 Ω series resistor.

The MCP9501/2/3/4 family of sensors is designed to prevent false output triggers due to high-frequency power supply or system noise. Figure 4-6 shows the device performance with a high-frequency signal added on V_{DD} . The output is not triggered due to the signal added on V_{DD} . With some applications, it is recommended to add a bypass capacitor of 0.1 μF to 1 μF .

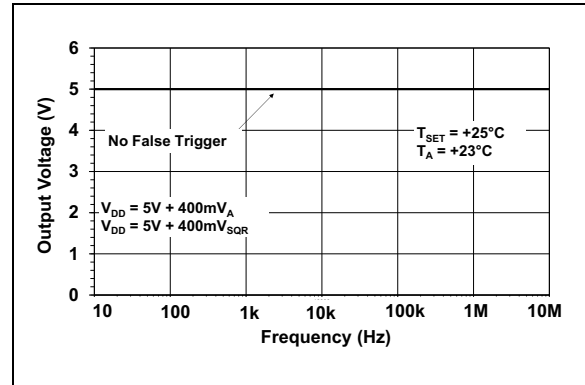


FIGURE 4-6: Power Supply Rejection ($T_{\text{SET}} = +25^{\circ}\text{C}$).

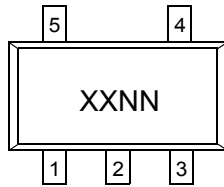
MCP9501/2/3/4

NOTES:

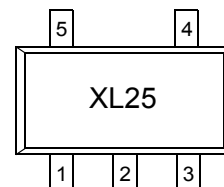
5.0 PACKAGING INFORMATION

5.1 Package Marking Information

5-Lead SOT-23



Example:



Device	Code	Device	Code
Hot Options			
MCP9501PT-005E/OT	WVNN	MCP9502PT-005E/OT	XLNN
MCP9501PT-015E/OT	WWNN	MCP9502PT-015E/OT	XMNN
MCP9501PT-025E/OT	WXNN	MCP9502PT-025E/OT	XPNN
MCP9501PT-035E/OT	WYNN	MCP9502PT-035E/OT	XQNN
MCP9501PT-045E/OT	WZNN	MCP9502PT-045E/OT	XRNN
MCP9501PT-055E/OT	X1NN	MCP9502PT-055E/OT	XSNN
MCP9501PT-065E/OT	X2NN	MCP9502PT-065E/OT	XTNN
MCP9501PT-075E/OT	X3NN	MCP9502PT-075E/OT	XUNN
MCP9501PT-085E/OT	X4NN	MCP9502PT-085E/OT	XVNN
MCP9501PT-095E/OT	X5NN	MCP9502PT-095E/OT	XWNN
MCP9501PT-105E/OT	X6NN	MCP9502PT-105E/OT	XXNN
MCP9501PT-115E/OT	X7NN	MCP9502PT-115E/OT	XYNN
MCP9501PT-125E/OT	X8NN	MCP9502PT-125E/OT	XZNN
MCP9503PT-005E/OT	XHNN	MCP9504PT-005E/OT	Y9NN
MCP9503PT-015E/OT	XJNN	MCP9504PT-015E/OT	YANN
MCP9503PT-125E/OT	XKNN	MCP9504PT-025E/OT	YBNN
Cold Options			
MCP9503NT-005E/OT	XBNN	MCP9504NT-005E/OT	Y3NN
MCP9503NT-015E/OT	XCNN	MCP9504NT-015E/OT	Y4NN
MCP9503NT-025E/OT	XDNN	MCP9504NT-025E/OT	Y5NN
MCP9503NT-035E/OT	XENN	MCP9504NT-035E/OT	Y6NN

Note: Contact Microchip for all other threshold options.

Legend:	XX...X	Customer-specific information
	Y	Year code (last digit of calendar year)
	YY	Year code (last 2 digits of calendar year)
	WW	Week code (week of January 1 is week '01')
	NNN	Alphanumeric traceability code
	(e3)	Pb-free JEDEC® designator for Matte Tin (Sn)
	*	This package is Pb-free. The Pb-free JEDEC® designator ((e3)) can be found on the outer packaging for this package.

Note: In the event the full Microchip part number cannot be marked on one line, it will be carried over to the next line, thus limiting the number of available characters for customer-specific information.

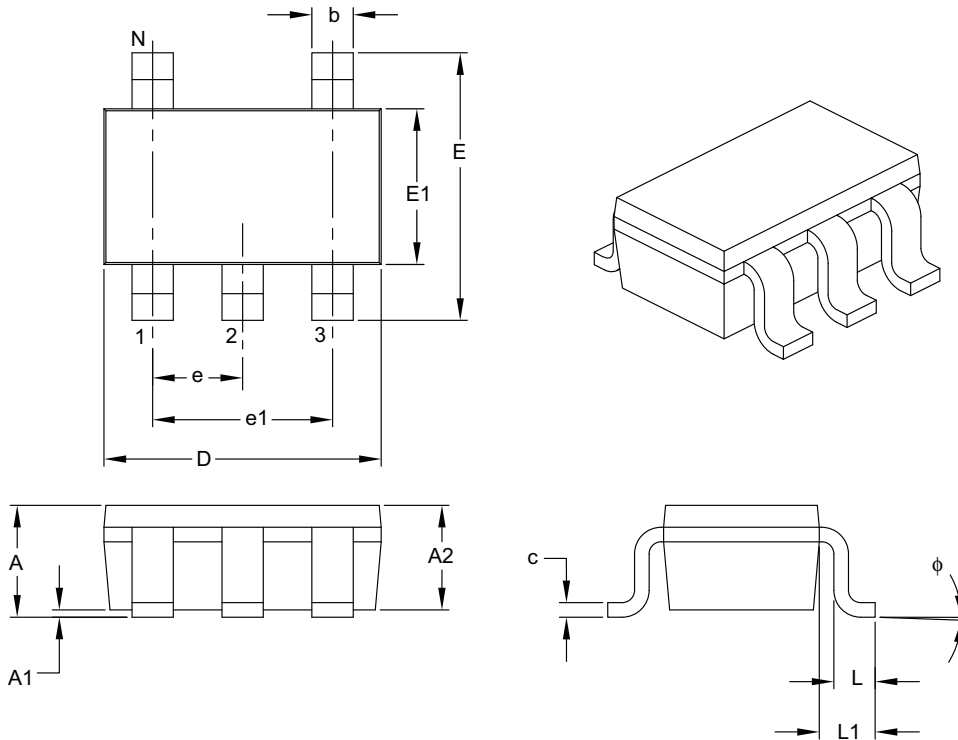
MCP9501/2/3/4

5.2 Package Details

The following section gives the technical details of the packages.

5-Lead Plastic Small Outline Transistor (OT) [SOT-23]

Note: For the most current package drawings, please see the Microchip Packaging Specification located at <http://www.microchip.com/packaging>



Dimension Limits	Units	MILLIMETERS		
		MIN	NOM	MAX
Number of Pins	N	5		
Lead Pitch	e	0.95 BSC		
Outside Lead Pitch	e1	1.90 BSC		
Overall Height	A	0.90	–	1.45
Molded Package Thickness	A2	0.89	–	1.30
Standoff	A1	0.00	–	0.15
Overall Width	E	2.20	–	3.20
Molded Package Width	E1	1.30	–	1.80
Overall Length	D	2.70	–	3.10
Foot Length	L	0.10	–	0.60
Footprint	L1	0.35	–	0.80
Foot Angle	ϕ	0°	–	30°
Lead Thickness	c	0.08	–	0.26
Lead Width	b	0.20	–	0.51

Notes:

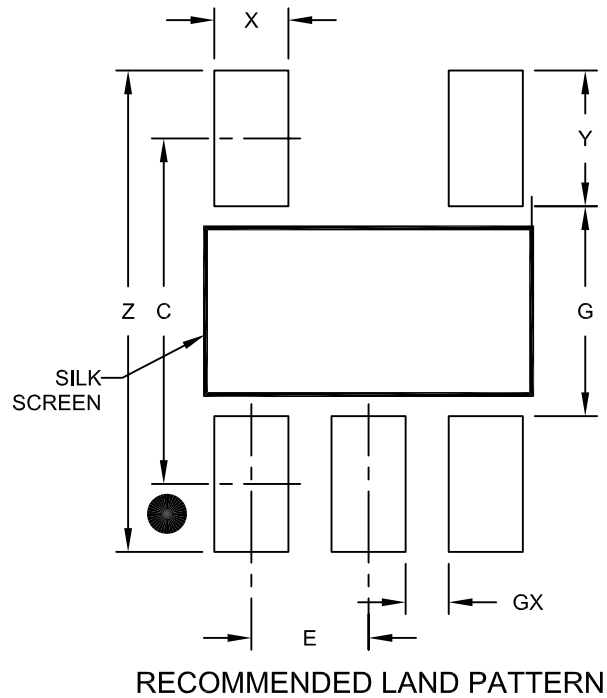
- Dimensions D and E1 do not include mold flash or protrusions. Mold flash or protrusions shall not exceed 0.127 mm per side.
- Dimensioning and tolerancing per ASME Y14.5M.

BSC: Basic Dimension. Theoretically exact value shown without tolerances.

Microchip Technology Drawing C04-091B

5-Lead Plastic Small Outline Transistor (OT) [SOT-23]

Note: For the most current package drawings, please see the Microchip Packaging Specification located at <http://www.microchip.com/packaging>



Dimension Limits	Units	MILLIMETERS		
		MIN	NOM	MAX
Contact Pitch	E	0,95 BSC		
Contact Pad Spacing	C		2,80	
Contact Pad Width (X5)	X			0,60
Contact Pad Length (X5)	Y			1,10
Distance Between Pads	G	1,70		
Distance Between Pads	GX	0,35		
Overall Width	Z			3,90

Notes:

1. Dimensioning and tolerancing per ASME Y14.5M

BSC: Basic Dimension. Theoretically exact value shown without tolerances.

Microchip Technology Drawing No. C04-2091A

MCP9501/2/3/4

NOTES:

APPENDIX A: REVISION HISTORY

Revision B (July 2016)

- Added mention of AEC-Q100 qualification (automotive) in the **“Features”** section.
- Corrected **Section 5.1 “Package Marking Information”**.

Revision A (January 2011)

- Initial release of this document.

MCP9501/2/3/4

NOTES:

PRODUCT IDENTIFICATION SYSTEM

To order or obtain information, e.g., on pricing or delivery, refer to the factory or the listed sales office.

<u>PART NO.</u>	<u>X</u>	<u>IXI</u> ⁽¹⁾	<u>-XXXX</u>	<u>X</u>	<u>IXX</u>	Examples:
Device	Temp. Option	Tape and Reel Option	Temp. Switch Threshold	Temp. Range	Package	
Device:	MCP9501/2/3/4: Resistor Programmable Temperature Switch					a) MCP9501PT-025E/OT: Active-Low, Open-Drain Output, +25°C Switch Threshold, Hot Option, Tape and Reel, Extended Temp., 5LD SOT-23 package.
Temperature Option:	P = Hot Option N = Cold Option					b) MCP9502PT-025E/OT: Active-High, Push-Pull Output, +25°C Switch Threshold, Hot Option, Extended Temp., 5LD SOT-23 package.
Tape and Reel Option:	Blank = Standard packaging (tube or tray) T = Tape and Reel ⁽¹⁾					c) MCP9503NT-025E/OT: Active-Low, Open-Drain Output, -25°C Switch Threshold, Cold Option, Extended Temp., 5LD SOT-23 package.
Temperature Switch Threshold:	005 = +5°C (MCP9501/2/3/4) = -5°C (MCP9503/4) 015 = +15°C (MCP9501/2/3/4) = -15°C (MCP9503/4) 025 = +25°C (MCP9501/2/3/4) = -25°C (MCP9503/4) 035 = +35°C (MCP9501/2) = -35°C (MCP9503/4) 045 = +45°C (MCP9501/2) = -45°C (MCP9503/4) 055 = +55°C (MCP9501/2) = -55°C (MCP9503/4) 065 = +65°C (MCP9501/2) 075 = +75°C (MCP9501/2) 085 = +85°C (MCP9501/2) 095 = +95°C (MCP9501/2) 105 = +105°C (MCP9501/2) 115 = +115°C (MCP9501/2) 125 = +125°C (MCP9501/2)					d) MCP9504NT-025E/OT: Active-High, Push-Pull Output, -25°C Switch Threshold, Cold Option, Extended Temp., 5LD SOT-23 package.
Temp. Range:	E = -40°C to +125°C					e) MCP9501PT-105E/OT: Active-Low, Open-Drain Output, +105°C Switch Threshold, Hot Option, Extended Temp., 5LD SOT-23 package.
Package:	OT = Plastic Small Outline Transistor (SOT-23), 5-lead					f) MCP9502PT-105E/OT: Active-High, Push-Pull Output, +105°C Switch Threshold, Hot Option, Extended Temp., 5LD SOT-23 package.
						g) MCP9503NT-035E/OT: Active-Low, Open-Drain Output, -35°C Switch Threshold, Cold Option, Extended Temp., 5LD SOT-23 package.
						h) MCP9504NT-035E/OT: Active-High, Push-Pull Output, -35°C Switch Threshold, Cold Option, Extended Temp., 5LD SOT-23 package.

Note 1: Tape and Reel identifier only appears in the catalog part number description. This identifier is used for ordering purposes and is not printed on the device package. Check with your Microchip Sales Office for package availability with the Tape and Reel option.

MCP9501/2/3/4

NOTES:

Note the following details of the code protection feature on Microchip devices:

- Microchip products meet the specification contained in their particular Microchip Data Sheet.
- Microchip believes that its family of products is one of the most secure families of its kind on the market today, when used in the intended manner and under normal conditions.
- There are dishonest and possibly illegal methods used to breach the code protection feature. All of these methods, to our knowledge, require using the Microchip products in a manner outside the operating specifications contained in Microchip's Data Sheets. Most likely, the person doing so is engaged in theft of intellectual property.
- Microchip is willing to work with the customer who is concerned about the integrity of their code.
- Neither Microchip nor any other semiconductor manufacturer can guarantee the security of their code. Code protection does not mean that we are guaranteeing the product as “unbreakable.”

Code protection is constantly evolving. We at Microchip are committed to continuously improving the code protection features of our products. Attempts to break Microchip's code protection feature may be a violation of the Digital Millennium Copyright Act. If such acts allow unauthorized access to your software or other copyrighted work, you may have a right to sue for relief under that Act.

Information contained in this publication regarding device applications and the like is provided only for your convenience and may be superseded by updates. It is your responsibility to ensure that your application meets with your specifications. MICROCHIP MAKES NO REPRESENTATIONS OR WARRANTIES OF ANY KIND WHETHER EXPRESS OR IMPLIED, WRITTEN OR ORAL, STATUTORY OR OTHERWISE, RELATED TO THE INFORMATION, INCLUDING BUT NOT LIMITED TO ITS CONDITION, QUALITY, PERFORMANCE, MERCHANTABILITY OR FITNESS FOR PURPOSE. Microchip disclaims all liability arising from this information and its use. Use of Microchip devices in life support and/or safety applications is entirely at the buyer's risk, and the buyer agrees to defend, indemnify and hold harmless Microchip from any and all damages, claims, suits, or expenses resulting from such use. No licenses are conveyed, implicitly or otherwise, under any Microchip intellectual property rights unless otherwise stated.

Microchip received ISO/TS-16949:2009 certification for its worldwide headquarters, design and wafer fabrication facilities in Chandler and Tempe, Arizona; Gresham, Oregon and design centers in California and India. The Company's quality system processes and procedures are for its PIC® MCUs and dsPIC® DSCs, KEELoC® code hopping devices, Serial EEPROMs, microperipherals, nonvolatile memory and analog products. In addition, Microchip's quality system for the design and manufacture of development systems is ISO 9001:2000 certified.

**QUALITY MANAGEMENT SYSTEM
CERTIFIED BY DNV
= ISO/TS 16949 =**

Trademarks

The Microchip name and logo, the Microchip logo, AnyRate, dsPIC, FlashFlex, flexPWR, Heldo, JukeBlox, KeeLoq, KeeLoq logo, Klear, LANCheck, LINK MD, MediaLB, MOST, MOST logo, MPLAB, OptoLyzer, PIC, PICSTART, PIC32 logo, RightTouch, SpyNIC, SST, SST Logo, SuperFlash and UNI/O are registered trademarks of Microchip Technology Incorporated in the U.S.A. and other countries.

ClockWorks, The Embedded Control Solutions Company, ETHERSYNCH, Hyper Speed Control, HyperLight Load, IntelliMOS, mTouch, Precision Edge, and QUIET-WIRE are registered trademarks of Microchip Technology Incorporated in the U.S.A.

Analog-for-the-Digital Age, Any Capacitor, AnyIn, AnyOut, BodyCom, chipKIT, chipKIT logo, CodeGuard, dsPICDEM, dsPICDEM.net, Dynamic Average Matching, DAM, ECAN, EtherGREEN, In-Circuit Serial Programming, ICSP, Inter-Chip Connectivity, JitterBlocker, KlearNet, KlearNet logo, MiWi, motorBench, MPASM, MPF, MPLAB Certified logo, MPLIB, MPLINK, MultiTRAK, NetDetach, Omniscient Code Generation, PICDEM, PICDEM.net, PICkit, PICtail, PureSilicon, RightTouch logo, REAL ICE, Ripple Blocker, Serial Quad I/O, SQL, SuperSwitcher, SuperSwitcher II, Total Endurance, TSHARC, USBCheck, VariSense, ViewSpan, WiperLock, Wireless DNA, and ZENA are trademarks of Microchip Technology Incorporated in the U.S.A. and other countries.

SQTP is a service mark of Microchip Technology Incorporated in the U.S.A.

Silicon Storage Technology is a registered trademark of Microchip Technology Inc. in other countries.

GestIC is a registered trademarks of Microchip Technology Germany II GmbH & Co. KG, a subsidiary of Microchip Technology Inc., in other countries.

All other trademarks mentioned herein are property of their respective companies.

© 2011-2016, Microchip Technology Incorporated, Printed in the U.S.A., All Rights Reserved.

ISBN: 978-1-5224-0803-1



MICROCHIP

Worldwide Sales and Service

AMERICAS

Corporate Office

2355 West Chandler Blvd.
Chandler, AZ 85224-6199

Tel: 480-792-7200

Fax: 480-792-7277

Technical Support:

[http://www.microchip.com/
support](http://www.microchip.com/support)

Web Address:

www.microchip.com

Atlanta

Duluth, GA

Tel: 678-957-9614

Fax: 678-957-1455

Austin, TX

Tel: 512-257-3370

Boston

Westborough, MA

Tel: 774-760-0087

Fax: 774-760-0088

Chicago

Itasca, IL

Tel: 630-285-0071

Fax: 630-285-0075

Cleveland

Independence, OH

Tel: 216-447-0464

Fax: 216-447-0643

Dallas

Addison, TX

Tel: 972-818-7423

Fax: 972-818-2924

Detroit

Novi, MI

Tel: 248-848-4000

Houston, TX

Tel: 281-894-5983

Indianapolis

Noblesville, IN

Tel: 317-773-8323

Fax: 317-773-5453

Los Angeles

Mission Viejo, CA

Tel: 949-462-9523

Fax: 949-462-9608

New York, NY

Tel: 631-435-6000

San Jose, CA

Tel: 408-735-9110

Canada - Toronto

Tel: 905-695-1980

Fax: 905-695-2078

ASIA/PACIFIC

Asia Pacific Office

Suites 3707-14, 37th Floor
Tower 6, The Gateway
Harbour City, Kowloon

Hong Kong

Tel: 852-2943-5100

Fax: 852-2401-3431

Australia - Sydney

Tel: 61-2-9868-6733

Fax: 61-2-9868-6755

China - Beijing

Tel: 86-10-8569-7000

Fax: 86-10-8528-2104

China - Chengdu

Tel: 86-28-8665-5511

Fax: 86-28-8665-7889

China - Chongqing

Tel: 86-23-8980-9588

Fax: 86-23-8980-9500

China - Dongguan

Tel: 86-769-8702-9880

China - Guangzhou

Tel: 86-20-8755-8029

China - Hangzhou

Tel: 86-571-8792-8115

Fax: 86-571-8792-8116

China - Hong Kong SAR

Tel: 852-2943-5100

Fax: 852-2401-3431

China - Nanjing

Tel: 86-25-8473-2460

Fax: 86-25-8473-2470

China - Qingdao

Tel: 86-532-8502-7355

Fax: 86-532-8502-7205

China - Shanghai

Tel: 86-21-5407-5533

Fax: 86-21-5407-5066

China - Shenyang

Tel: 86-24-2334-2829

Fax: 86-24-2334-2393

China - Shenzhen

Tel: 86-755-8864-2200

Fax: 86-755-8203-1760

China - Wuhan

Tel: 86-27-5980-5300

Fax: 86-27-5980-5118

China - Xian

Tel: 86-29-8833-7252

Fax: 86-29-8833-7256

ASIA/PACIFIC

China - Xiamen

Tel: 86-592-2388138

Fax: 86-592-2388130

China - Zhuhai

Tel: 86-756-3210040

Fax: 86-756-3210049

India - Bangalore

Tel: 91-80-3090-4444

Fax: 91-80-3090-4123

India - New Delhi

Tel: 91-11-4160-8631

Fax: 91-11-4160-8632

India - Pune

Tel: 91-20-3019-1500

Japan - Osaka

Tel: 81-6-6152-7160

Fax: 81-6-6152-9310

Japan - Tokyo

Tel: 81-3-6880-3770

Fax: 81-3-6880-3771

Korea - Daegu

Tel: 82-53-744-4301

Fax: 82-53-744-4302

Korea - Seoul

Tel: 82-2-554-7200

Fax: 82-2-558-5932 or

82-2-558-5934

Malaysia - Kuala Lumpur

Tel: 60-3-6201-9857

Fax: 60-3-6201-9859

Malaysia - Penang

Tel: 60-4-227-8870

Fax: 60-4-227-4068

Philippines - Manila

Tel: 63-2-634-9065

Fax: 63-2-634-9069

Singapore

Tel: 65-6334-8870

Fax: 65-6334-8850

Taiwan - Hsin Chu

Tel: 886-3-5778-366

Fax: 886-3-5770-955

Taiwan - Kaohsiung

Tel: 886-7-213-7828

Taiwan - Taipei

Tel: 886-2-2508-8600

Fax: 886-2-2508-0102

Thailand - Bangkok

Tel: 66-2-694-1351

Fax: 66-2-694-1350

EUROPE

Austria - Wels

Tel: 43-7242-2244-39

Fax: 43-7242-2244-393

Denmark - Copenhagen

Tel: 45-4450-2828

Fax: 45-4485-2829

France - Paris

Tel: 33-1-69-53-63-20

Fax: 33-1-69-30-90-79

Germany - Dusseldorf

Tel: 49-2129-3766400

Germany - Karlsruhe

Tel: 49-721-625370

Germany - Munich

Tel: 49-89-627-144-0

Fax: 49-89-627-144-44

Italy - Milan

Tel: 39-0331-742611

Fax: 39-0331-466781

Italy - Venice

Tel: 39-049-7625286

Netherlands - Drunen

Tel: 31-416-690399

Fax: 31-416-690340

Poland - Warsaw

Tel: 48-22-3325737

Spain - Madrid

Tel: 34-91-708-08-90

Fax: 34-91-708-08-91

Sweden - Stockholm

Tel: 46-8-5090-4654

UK - Wokingham

Tel: 44-118-921-5800

Fax: 44-118-921-5820

06/23/16