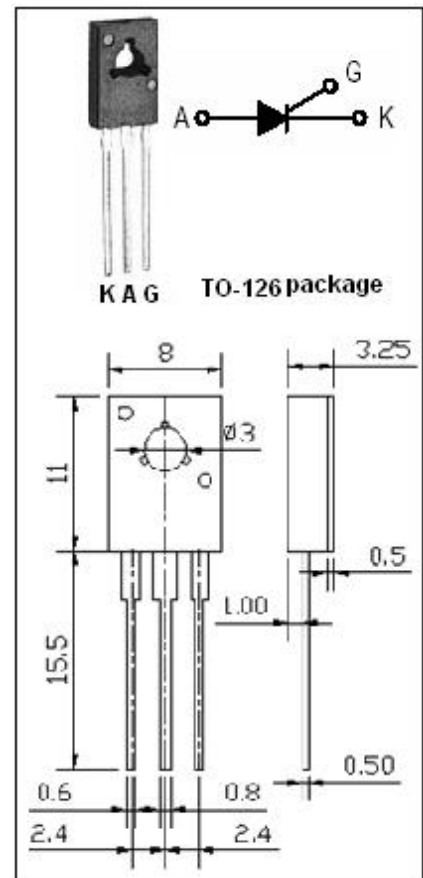


isc Thyristors
MCR106-8
FEATURES

- Low Thermal Resistance
- High Heat Dissipation and Durability
- Designed for high volume consumer applications such as temperature, light and speed control; process and remote control, and warning systems and etc.
- Minimum Lot-to-Lot variations for robust device performance and reliable operation

ABSOLUTE MAXIMUM RATINGS(T_a=25°C)

SYMBOL	PARAMETER	MIN	UNIT
V _{DRM}	Repetitive peak off-state voltage	600	V
V _{RRM}	Repetitive peak off-state voltage	600	V
I _{T(AV)}	Average on-state current T _C =93°C	2.55	A
I _{T(RMS)}	on-state RMS current T _C =93°C	4	A
P _{GM}	Peak gate power T _C =93°C	0.5	W
P _{G(AV)}	Average gate power T _C =93°C	0.1	W
T _j	Operating junction temperature	110	°C
T _{stg}	Storage temperature	-40~+ 150	°C


ELECTRICAL CHARACTERISTICS (T_C=25°C unless otherwise specified)

SYMBOL	PARAMETER	CONDITIONS	MIN	MAX	UNIT
I _{RRM}	Repetitive peak reverse current	V _{RRM} =400V V _{RRM} =400V, T _j = 110°C		10 200	μ A
I _{DRM}	Repetitive peak off-state current	V _{DRM} =400V V _{DRM} =400V, T _j = 110°C		10 200	μ A
I _{GT}	Gate trigger current	V _D = 7V; R _L =100Ω		200	μ A
V _{TM}	On-state voltage	I _T = 4A		2.0	V
I _H	Holding current	I _T = 0.2A; Gate Open		5	mA
V _{GT}	Gate trigger voltage	V _D = 7V; R _L =100 Ω		1.0	V

NOTICE:

ISC reserves the rights to make changes of the content herein the datasheet at any time without notification. The information contained herein is presented only as a guide for the applications of our products.

ISC products are intended for usage in general electronic equipment. The products are not designed for use in equipment which require specialized quality and/or reliability, or in equipment which could have applications in hazardous environments, aerospace industry, or medical field. Please contact us if you intend our products to be used in these special applications.

ISC makes no warranty or guarantee regarding the suitability of its products for any particular purpose, nor does ISC assume any liability arising from the application or use of any products, and specifically disclaims any and all liability, including without limitation special, consequential or incidental damages.